

REVISIONS			
REV	DESCRIPTION	DATE	APPROVED
B	REVISED PER NEW CODE	10/11/2021	R.L.

NOTES:

1. THE PRODUCT SHOWN HEREIN IS DESIGNED AND MANUFACTURED TO COMPLY WITH REQUIREMENTS OF THE 2018 IBC AND 2018 IRC.
2. WOOD FRAMING AND MASONRY OPENING TO BE DESIGNED AND ANCHORED TO PROPERLY TRANSFER ALL LOADS TO STRUCTURE. FRAMING AND MASONRY OPENING IS THE RESPONSIBILITY OF THE ARCHITECT OR ENGINEER OF RECORD.
3. 1X BUCK OVER MASONRY/CONCRETE IS OPTIONAL.
4. WHERE SHIM OR BUCK THICKNESS IS LESS THAN 1-1/2" UNITS MUST BE ANCHORED THROUGH THE FRAME IN ACCORDANCE WITH MANUFACTURER'S PUBLISHED INSTALLATION INSTRUCTIONS. ANCHORS SHALL BE SECURELY FASTENED DIRECTLY INTO MASONRY, CONCRETE OR OTHER STRUCTURAL SUBSTRATE MATERIAL.
5. WHERE WOOD BUCK THICKNESS IS 1-1/2" OR GREATER, BUCK SHALL BE SECURELY FASTENED TO MASONRY, CONCRETE OR OTHER STRUCTURAL SUBSTRATE. UNITS MAY BE ANCHORED THROUGH FRAME TO SECURED WOOD BUCK IN ACCORDANCE WITH MANUFACTURER'S PUBLISHED INSTALLATION INSTRUCTIONS.
6. WHERE 1X BUCK IS NOT USED DISSIMILAR MATERIALS MUST BE SEPARATED WITH APPROVED COATING OR MEMBRANE. SELECTION OF COATING OR MEMBRANE IS THE RESPONSIBILITY OF THE ARCHITECT OR ENGINEER OF RECORD.
7. BUCKS SHALL EXTEND BEYOND UNIT FRAME INTERIOR FACE SO THAT FULL FRAME SUPPORT IS PROVIDED.
8. SHIM AS REQUIRED AT EACH ANCHOR LOCATION WITH LOAD BEARING SHIM. SHIM WHERE SPACE OF 1/16" OR GREATER OCCURS. MAXIMUM ALLOWABLE SHIM STACK TO BE 1/4".
9. SHIMS SHALL BE LOCATED, APPLIED AND MADE FROM MATERIALS AND THICKNESS CAPABLE OF SUSTAINING APPLICABLE LOADS.
10. WIND LOAD DURATION FACTOR Cd=1.6 WAS USED FOR WOOD ANCHOR CALCULATIONS.
11. FRAME MATERIAL: EXTRUDED RIGID PVC.
12. UNITS MUST BE GLAZED PER ASTM E1300.
13. APPROVED IMPACT PROTECTIVE SYSTEM IS REQUIRED FOR THIS PRODUCT IN WIND BORNE DEBRIS REGIONS.
14. FOR ANCHORING THROUGH FRAME INTO WOOD FRAMING OR 2X BUCK USE #10 WOOD SCREWS WITH SUFFICIENT LENGTH TO ACHIEVE A 1 1/4" MINIMUM EMBEDMENT INTO SUBSTRATE. LOCATE ANCHORS AS SHOWN IN ELEVATIONS AND INSTALLATION DETAILS.

15. FOR ANCHORING THROUGH FRAME INTO MASONRY/CONCRETE USE 1/4" TAPCONS WITH SUFFICIENT LENGTH TO ACHIEVE A 1 1/4" MINIMUM EMBEDMENT INTO SUBSTRATE WITH 2" MINIMUM EDGE DISTANCE. LOCATE ANCHORS AS SHOWN IN ELEVATIONS AND INSTALLATION DETAILS.
16. FOR ANCHORING THROUGH FRAME INTO METAL STRUCTURE USE #10 SMS OR SELF DRILLING SCREWS WITH SUFFICIENT LENGTH TO ACHIEVE 3 THREADS MINIMUM BEYOND STRUCTURE INTERIOR WALL. LOCATE ANCHORS AS SHOWN IN ELEVATIONS AND INSTALLATION DETAILS.
17. ALL FASTENERS TO BE CORROSION RESISTANT.
18. INSTALLATION ANCHORS SHALL BE INSTALLED IN ACCORDANCE WITH ANCHOR MANUFACTURER'S INSTALLATION INSTRUCTIONS AND ANCHORS SHALL NOT BE USED IN SUBSTRATES WITH STRENGTHS LESS THAN THE MINIMUM STRENGTH SPECIFIED BELOW:
 - A. WOOD: MINIMUM SPECIFIC GRAVITY OF G=0.42
 - B. CONCRETE: MINIMUM COMPRESSIVE STRENGTH OF 2,000 PSI.
 - C. MASONRY: HOLLOW/FILLED BLOCK PER ASTM C90 WITH Fm=2,000PSI MINIMUM.
 - D. METAL STRUCTURE: STEEL 18GA (.048") FY=33KSI/FU=52KSI OR ALUMINUM 6063-T5 FU=30KSI 1/8" THICK MINIMUM
19. UNIT MAY BE INSTALLED VERTICALLY AND HORIZONTALLY.

SIGNED: 10/11/2021

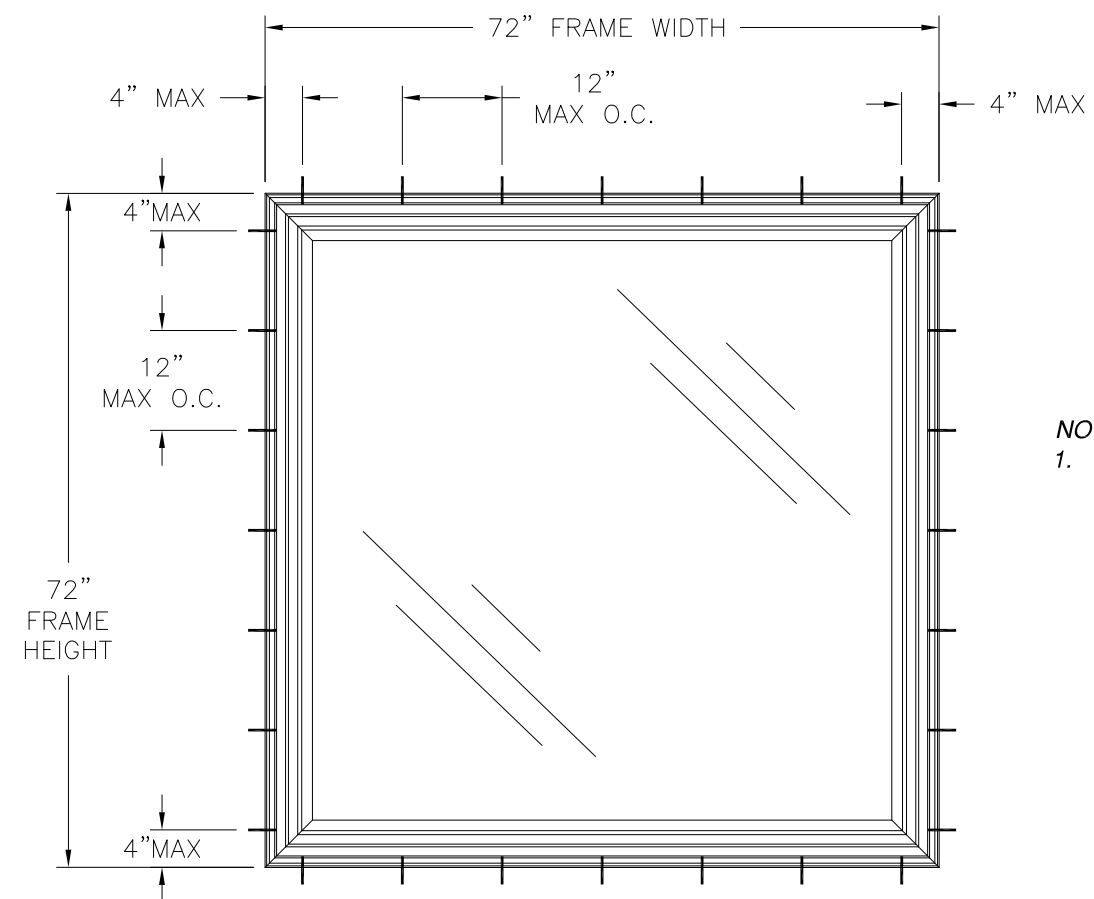
TABLE OF CONTENTS	
SHEET NO.	DESCRIPTION
1	NOTES
2	ELEVATION
3 - 4	INSTALLATION DETAILS
5	COMPONENTS

WINDOW MART 5760 ALBERT PIKE ROYAL, AR 71968		
2500/3000 PICTURE WINDOW NON-IMPACT NOTES		
DRAWN: V.L.	DWG NO. 08-02322	REV B
SCALE NTS	DATE 04/21/14	SHEET 1 OF 5
L. ROBERTO LOMAS P.E. 1432 WOODFORD RD LEWISVILLE, NC 27023 434-688-0609 rllomas@rlomaspe.com		



Luis R. Lomas P.E.
TX No.: 101889

REVISIONS			
REV	DESCRIPTION	DATE	APPROVED
B	REVISED PER NEW CODE	10/11/2021	R.L.



NOTES:
 1. D.L.O.: 65 3/4" X 65 3/4"

2500/3000 PICTURE WINDOW NON-REINFORCED
 EXTERIOR VIEW

DESIGN PRESSURE RATING	IMPACT RATING
±55.0PSF	NONE

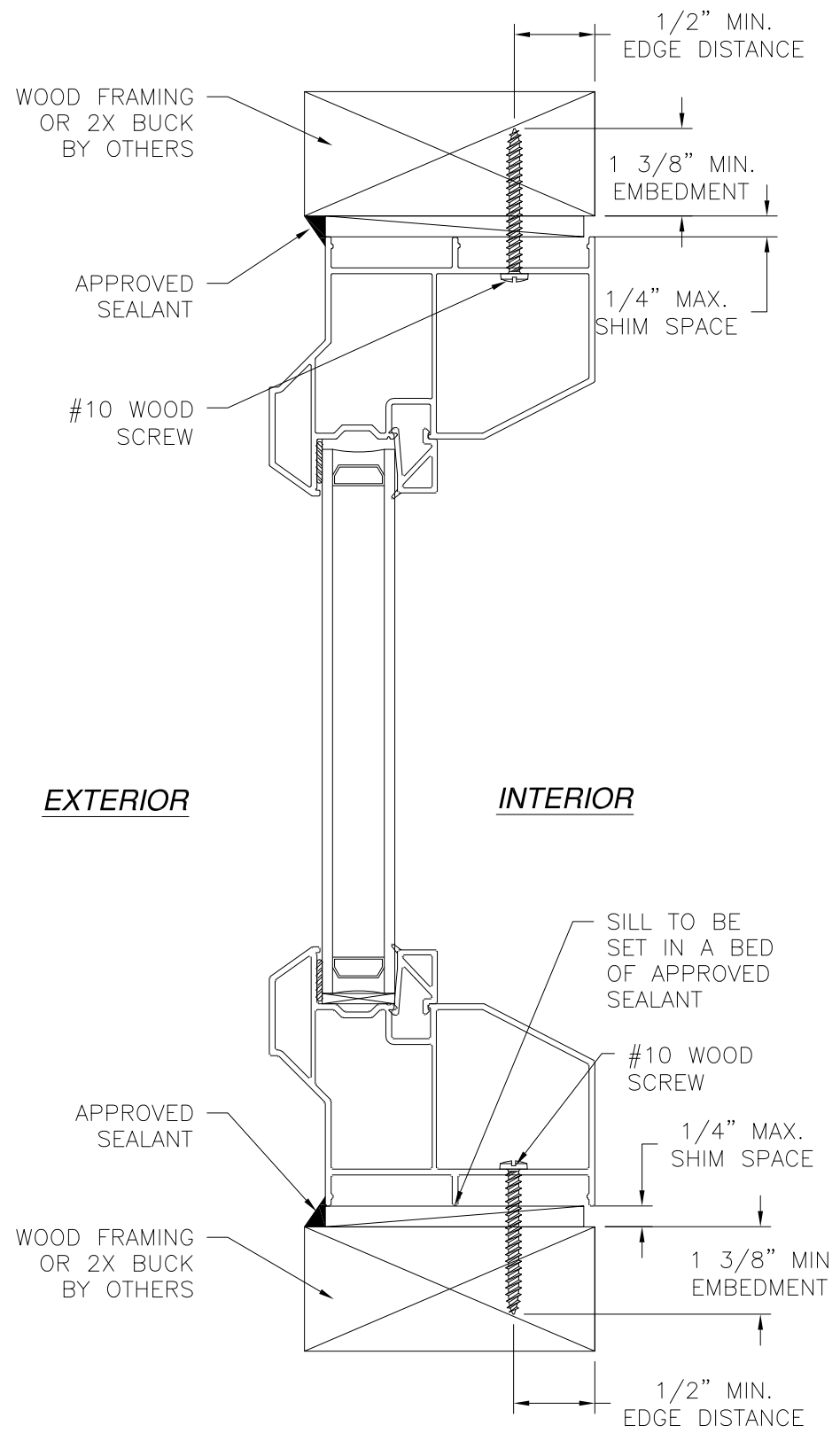
72" X 72" UNIT SHOWN. OTHER SIZES APPROVED AS LONG AS
 FRAME AREA DOES NOT EXCEED 36.0 FT²

WINDOW MART 5760 ALBERT PIKE ROYAL, AR 71968		
2500/3000 PICTURE WINDOW NON-IMPACT ELEVATION		
DRAWN: V.L.	DWG NO. 08-02322	REV B
SCALE NTS	DATE 04/21/14	SHEET 2 OF 5
L. ROBERTO LOMAS P.E. 1432 WOODFORD RD LEWISVILLE, NC 27023 434-688-0609 rllomas@lrlomaspe.com		

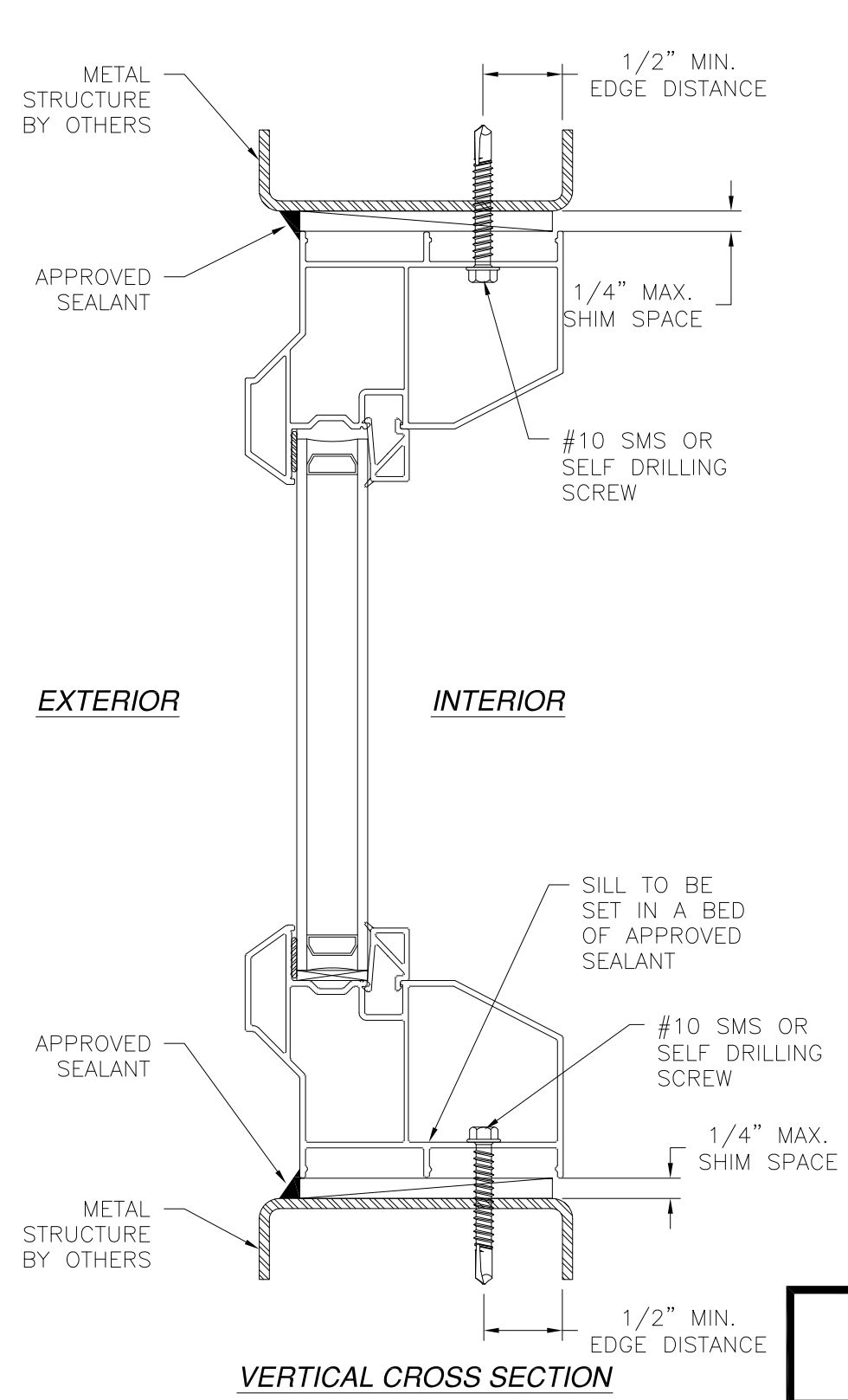
SIGNED: 10/11/2021



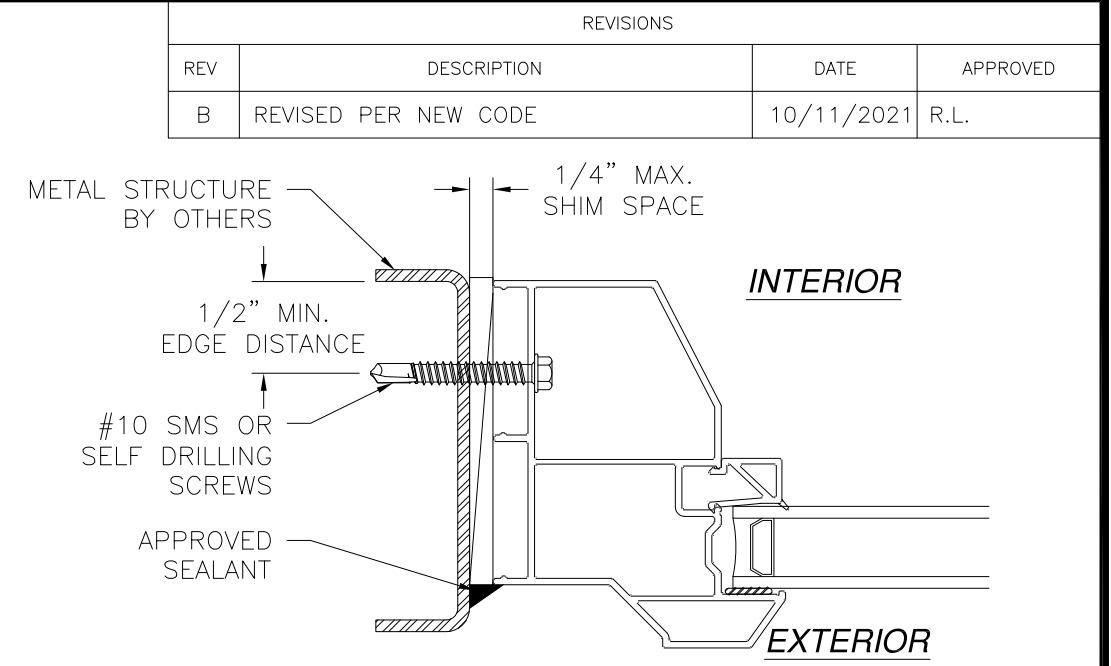
Luis R. Lomas P.E.
 TX No.: 101889



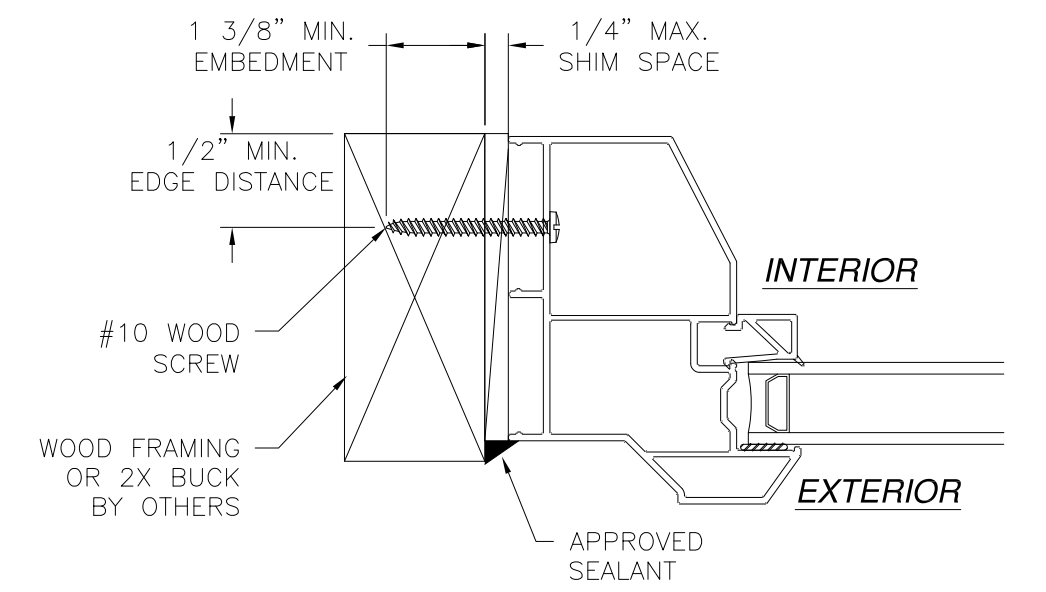
VERTICAL CROSS SECTION
WOOD FRAMING OR 2X BUCK INSTALLATION



VERTICAL CROSS SECTION
METAL STRUCTURE INSTALLATION



JAMB INSTALLATION DETAIL
METAL STRUCTURE INSTALLATION



JAMB INSTALLATION DETAIL
WOOD FRAMING OR 2X BUCK INSTALLATION

REVISIONS			
REV	DESCRIPTION	DATE	APPROVED
B	REVISED PER NEW CODE	10/11/2021	R.L.

SIGNED: 10/11/2021

- NOTES:**
1. INTERIOR AND EXTERIOR FINISHES, BY OTHERS, NOT SHOWN FOR CLARITY.
 2. PERIMETER AND JOINT SEALANT BY OTHERS TO BE DESIGNED IN ACCORDANCE WITH ASTM E2112

WINDOW MART
5760 ALBERT PIKE
ROYAL, AR 71968

2500/3000 PICTURE WINDOW
NON-IMPACT
INSTALLATION DETAILS

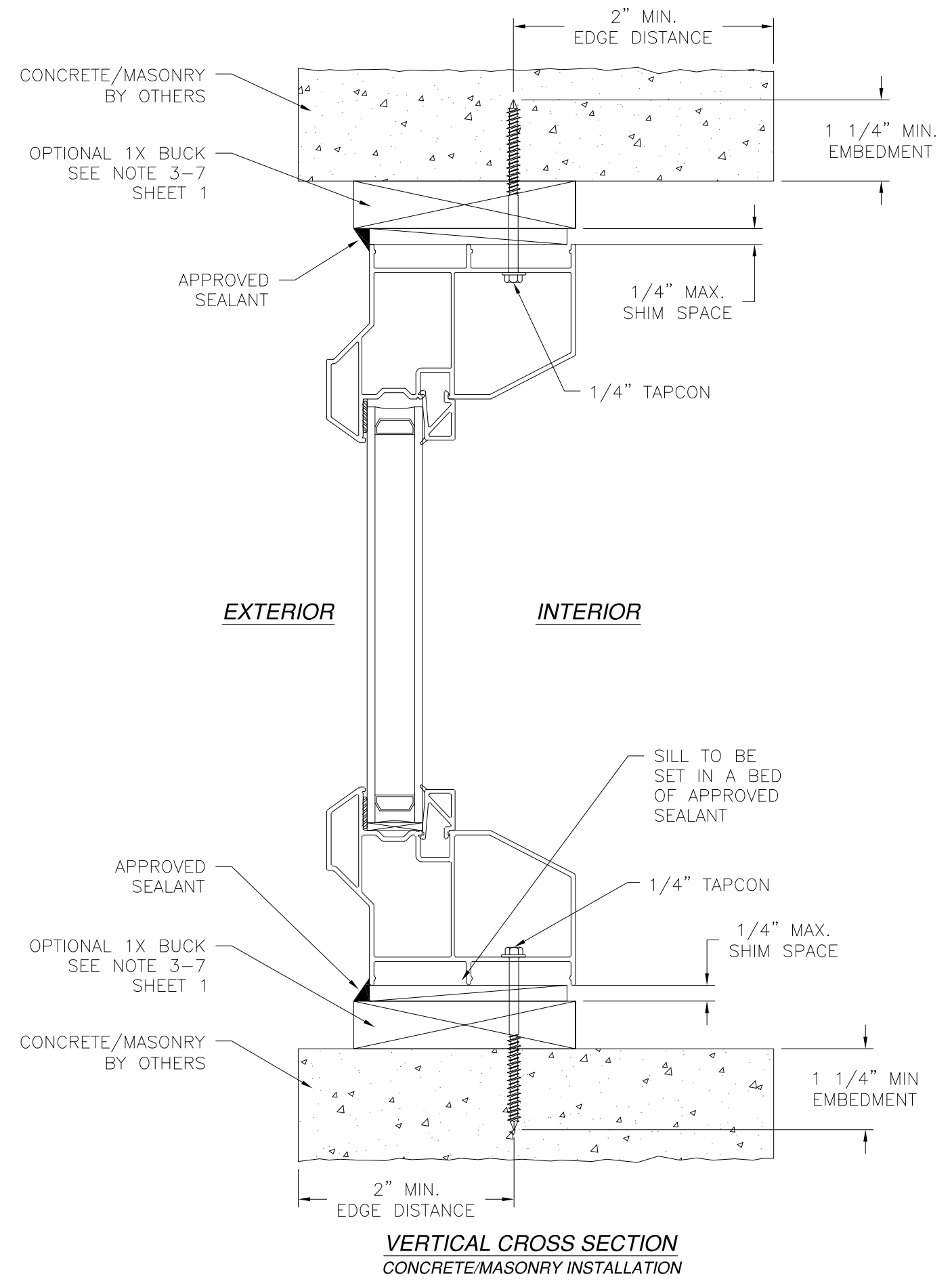
DRAWN: V.L.	DWG NO. 08-02322	REV B
SCALE NTS	DATE 04/21/14	SHEET 3 OF 5

L. ROBERTO LOMAS P.E.
1432 WOODFORD RD LEWISVILLE, NC 27023
434-688-0609 rllomas@rlomaspe.com

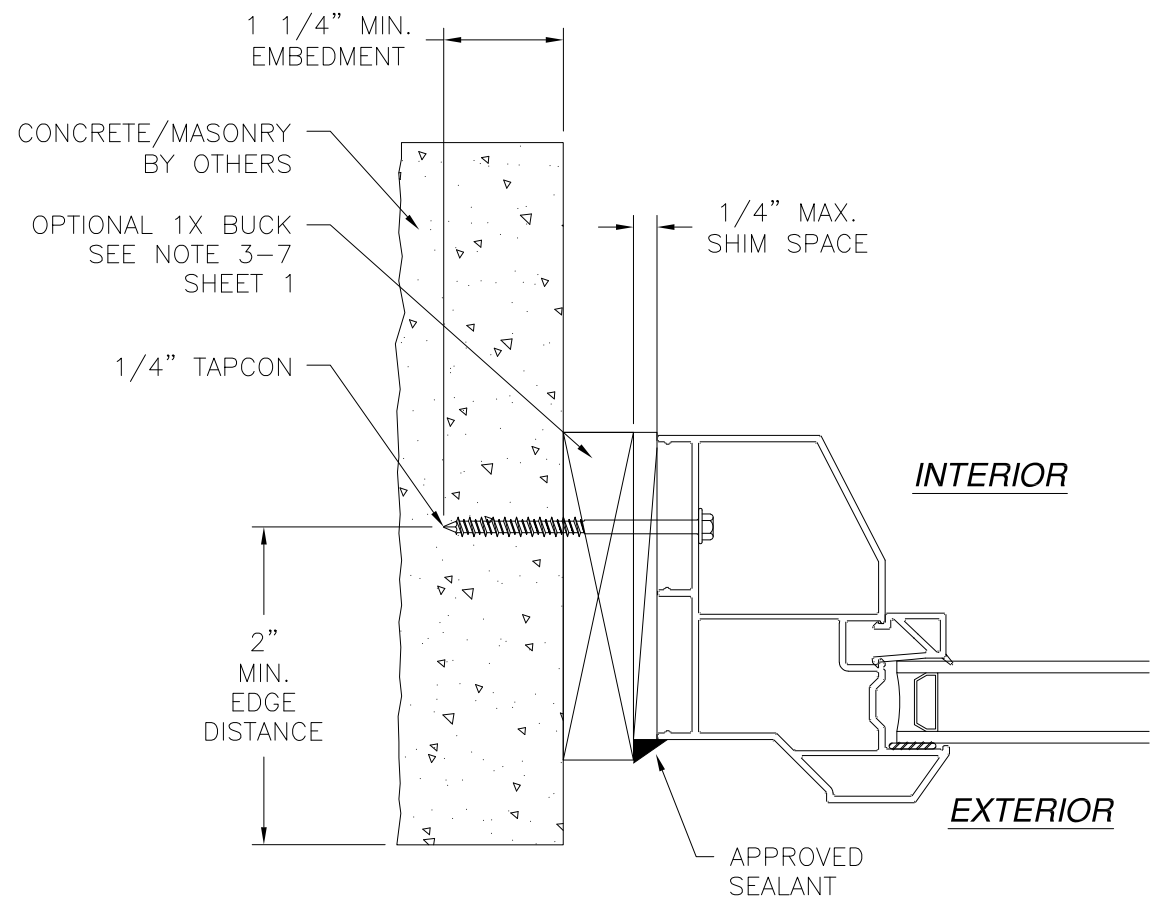


Luis R. Lomas P.E.
TX No.: 101889

REVISIONS			
REV	DESCRIPTION	DATE	APPROVED
B	REVISED PER NEW CODE	10/11/2021	R.L.



**VERTICAL CROSS SECTION
CONCRETE/MASONRY INSTALLATION**



**JAMB INSTALLATION DETAIL
CONCRETE/MASONRY INSTALLATION**

- NOTES:**
1. INTERIOR AND EXTERIOR FINISHES, BY OTHERS, NOT SHOWN FOR CLARITY.
 2. PERIMETER AND JOINT SEALANT BY OTHERS TO BE DESIGNED IN ACCORDANCE WITH ASTM E2112

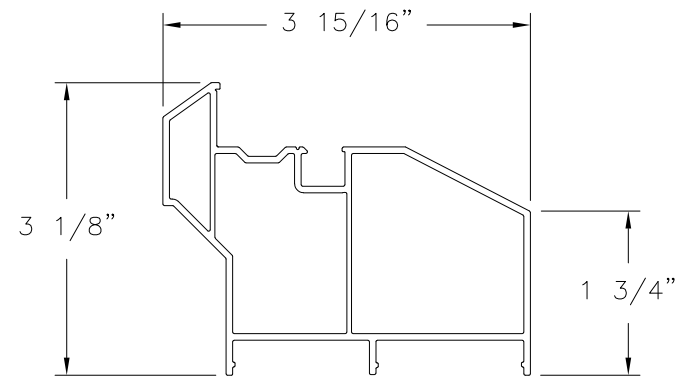
SIGNED: 10/11/2021

WINDOW MART 5760 ALBERT PIKE ROYAL, AR 71968		
2500/3000 PICTURE WINDOW NON-IMPACT INSTALLATION DETAILS		
DRAWN: V.L.	DWG NO. 08-02322	REV B
SCALE NTS	DATE 04/21/14	SHEET 4 OF 5
L. ROBERTO LOMAS P.E. 1432 WOODFORD RD LEWISVILLE, NC 27023 434-688-0609 rllomas@rlomaspe.com		

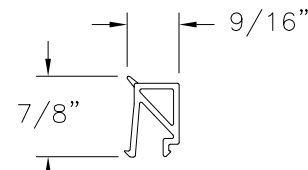


Luis R. Lomas P.E.
TX No.: 101889

REVISIONS			
REV	DESCRIPTION	DATE	APPROVED
B	REVISED PER NEW CODE	10/11/2021	R.L.



MAIN FRAME
RIGID PVC (10005013)



GLAZING BEAD
RIGID PVC (10005844)

SIGNED: 10/11/2021

WINDOW MART 5760 ALBERT PIKE ROYAL, AR 71968		
2500/3000 PICTURE WINDOW NON-IMPACT COMPONENTS		
DRAWN: V.L.	DWG NO. 08-02322	REV B
SCALE NTS	DATE 04/21/14	SHEET 5 OF 5
L. ROBERTO LOMAS P.E. 1432 WOODFORD RD LEWISVILLE, NC 27023 434-688-0609 rllomas@lrlomaspe.com		



Luis R. Lomas P.E.
TX No.: 101889