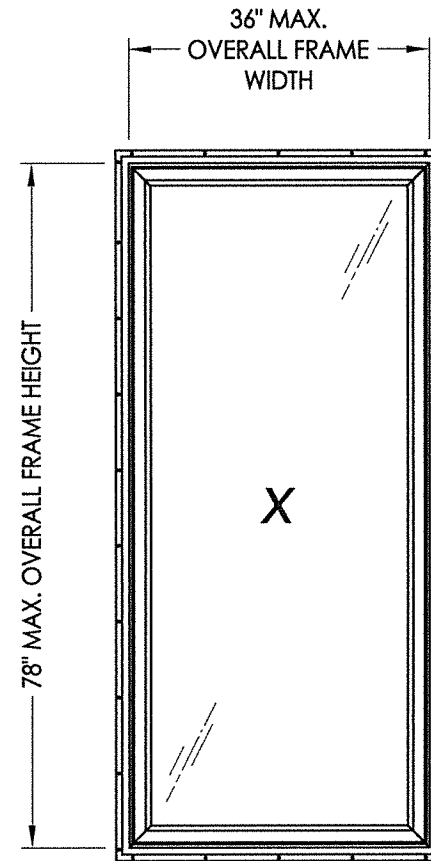


SERIES 0171
CASEMENT WINDOW
w/ NAILING FIN
"NON-IMPACT"



EVALUATED FOR USE IN THE STATE OF TEXAS

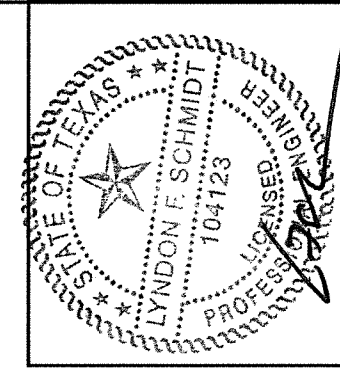
The Casement Window described herein complies with the 2018 International Residential Code (IRC), Sections R301 & R609 and the 2018 International Building Code (IBC), Sections 1404.13, 1609, 1709.5, 2403 and 2404 subject to the following conditions:

1. Anchors shall be as listed and spaced as shown in the details. Anchor embedment to base material shall be beyond wall dressing or stucco.
2. When used in areas requiring wind-borne debris protection this product is required to be protected with an impact resistant covering that complies with Section R301.2.1.2 of the IRC and Section 1609.2 of the IBC.
3. Allowable design pressure requirements must be equal to or less than the design pressure rating shown in the design pressure chart, sheet 1 of this drawing.
4. Conditions not covered by this drawing are subject to further engineering analysis.

TABLE OF CONTENTS

SHEET#	DESCRIPTION
1	Typical elevations, design pressures & general notes
2	Vertical & horizontal cross sections & frame anchoring
3	Bill of materials, glazing details and components

OVERALL FIN DIMENSION	OVERALL FRAME DIMENSION	OVERALL DAY LIGHT DIMENSION	GLASS TYPE	DESIGN PRESSURE (PSF)	
				POS.	NEG.
38.74" X 80.74"	36.0" x 78.0"	30.38" x 72.38"	G1	+30.0	-30.0
38.74" X 62.74"	36.0" x 60.0"	30.38" x 54.38"	G1	+40.0	-40.0
26.74" X 50.74"	24.0" x 48.0"	18.38" x 42.38"	G1	+55.0	-70.0



Documents Prepared By: Lyndon F. Schmidt, P.E.
TEXAS P.E. #104123

RW BUILDING CONSULTANTS, INC.
P.O. Box 230 Valrico FL, 33595
Phone No.: 813.659.9197

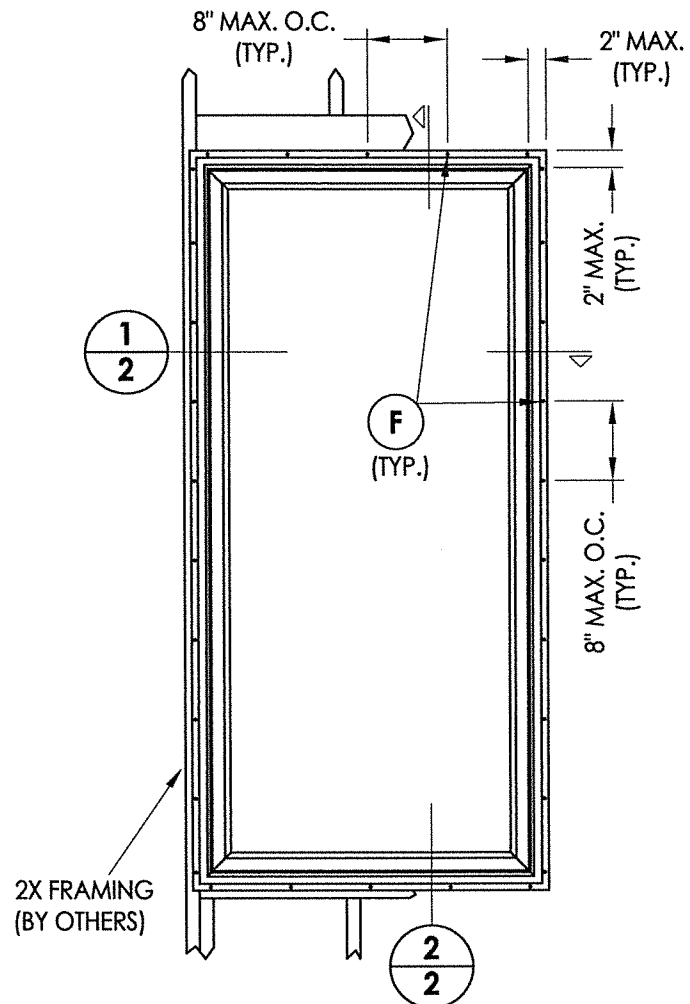
TEXAS BOARD OF PROFESSIONAL ENGINEERS
CERTIFICATE OF REGISTRATION # F-11852

PRODUCT: CASEMENT WINDOW
PART OR ASSEMBLY: TYPICAL ELEVATION, DESIGN PRESSURES & GENERAL NOTES

NO.	DATE	BY	REVISIONS

DATE: 6/08/21
SCALE: N.T.S.
DWG. BY: RW
CHK. BY: LFS
DRAWING NO.: TX-5091
SHEET 1 OF 3

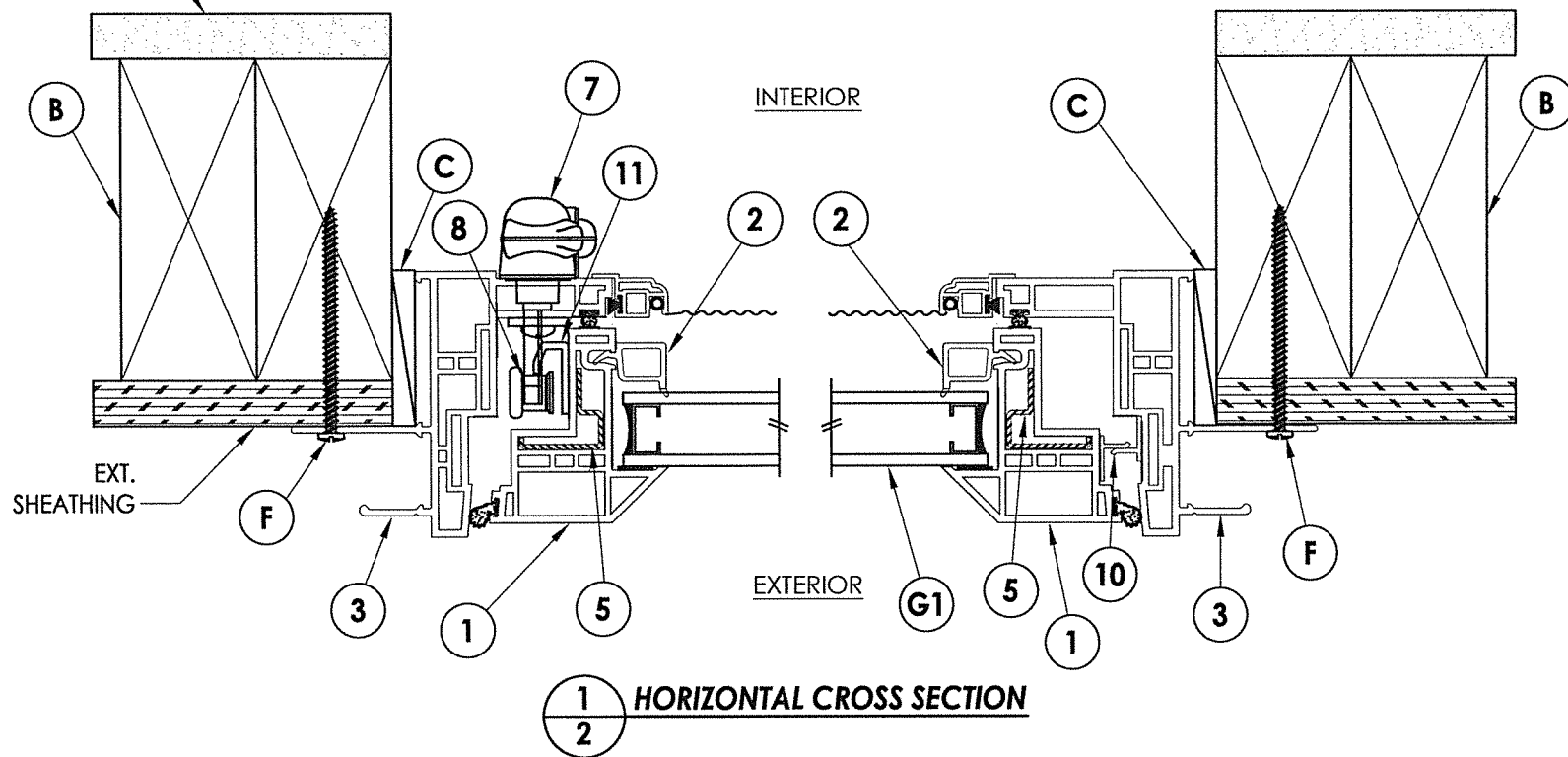
Z:\Clients\Associated PERMANENT B - Texas Dept of Ins\Casement\WIN-XXX Series 017X Casement\C - Drawings\TX-5091.92.93.dwg



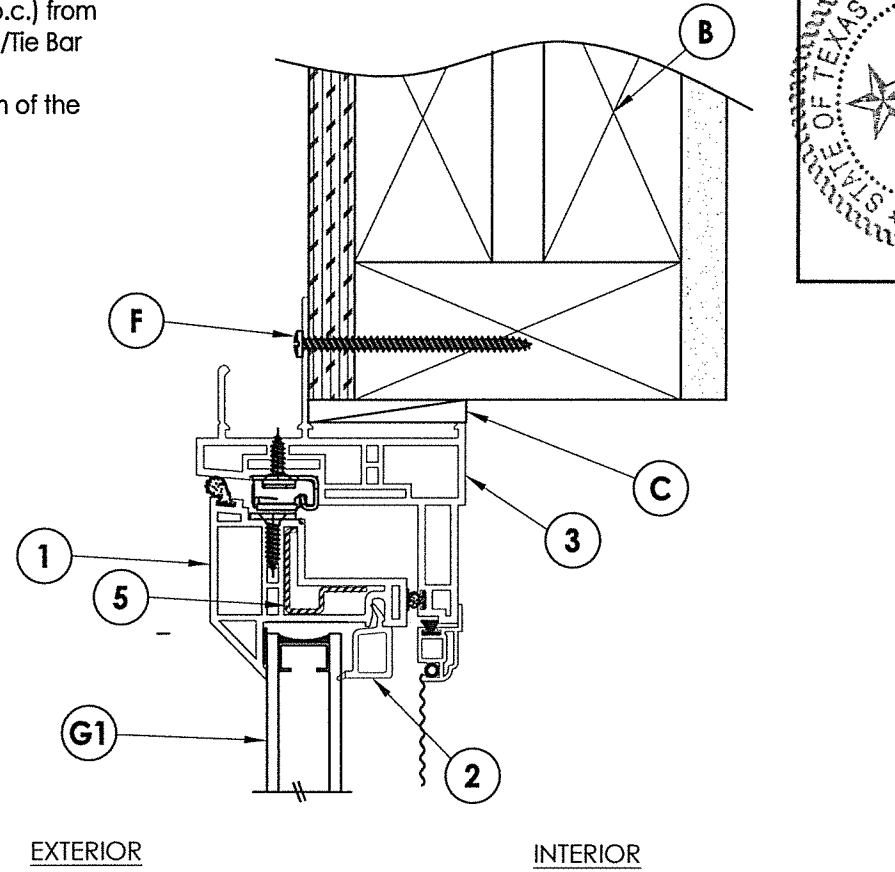
HARDWARE NOTES:

1. Lock Keepers/Tie Bar Guides (4) are located 3", 25", 47" & 69" (max. 22" o.c.) from the bottom of the frame. For 60" (or less) frame heights, only (3) Keepers/Tie Bar Guides are required.
2. Snubbers (3) are located at 1/4 points and at mid-span from the bottom of the frame.

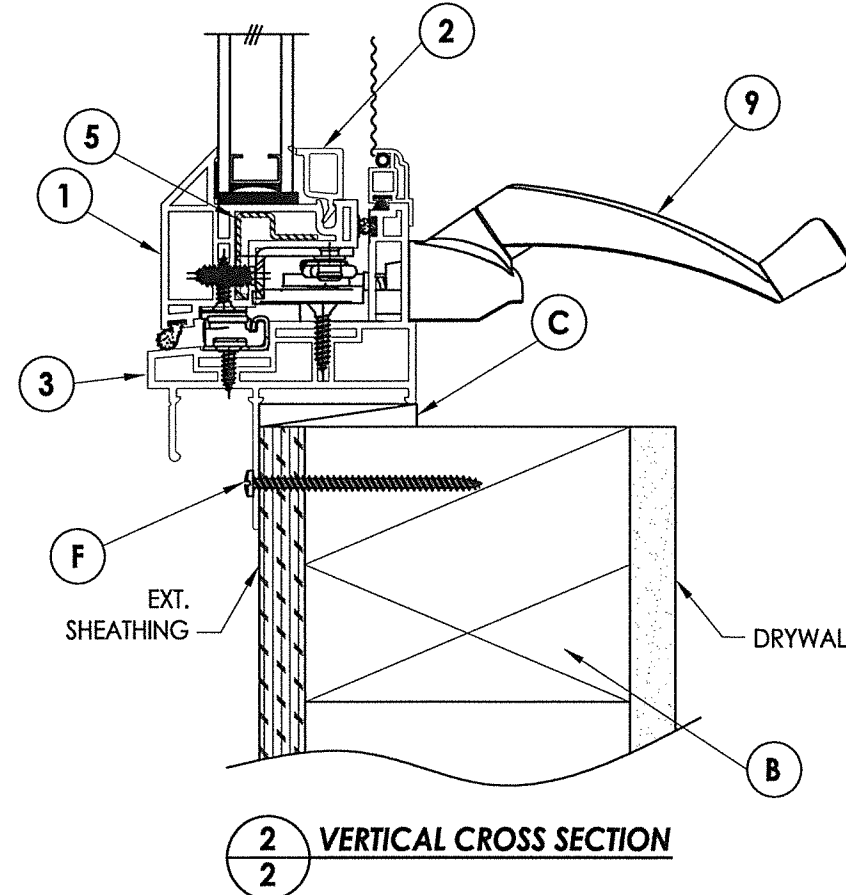
2X FRAMING (BY OTHERS)
 DRYWALL
FRAME ANCHORING



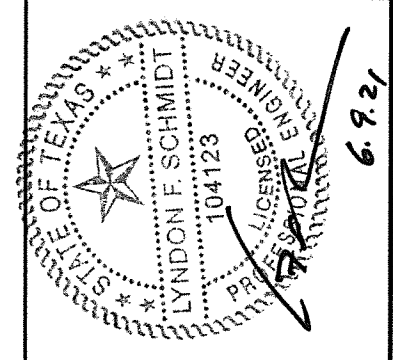
1 HORIZONTAL CROSS SECTION



2 VERTICAL CROSS SECTION



2 VERTICAL CROSS SECTION



Documents Prepared By: Lyndon F. Schmidt, P.E.
 TEXAS P.E. #104123
RW BUILDING CONSULTANTS, INC.
 P.O. Box 230 Valrico FL 33595
 Phone No.: 813.659.9197
 TEXAS BOARD OF PROFESSIONAL ENGINEERS
 CERTIFICATE OF REGISTRATION # F-11852

PRODUCT: CASEMENT WINDOW
 PART OR ASSEMBLY: VERTICAL & HORIZONTAL CROSS SECTIONS & FRAME ANCHORING

NO.	DATE	BY	REVISIONS

DATE: 6/08/21
 SCALE: N.T.S.
 DWG. BY: RW
 CHK. BY: LFS
 DRAWING NO.: TX-5091
 SHEET 2 OF 3

