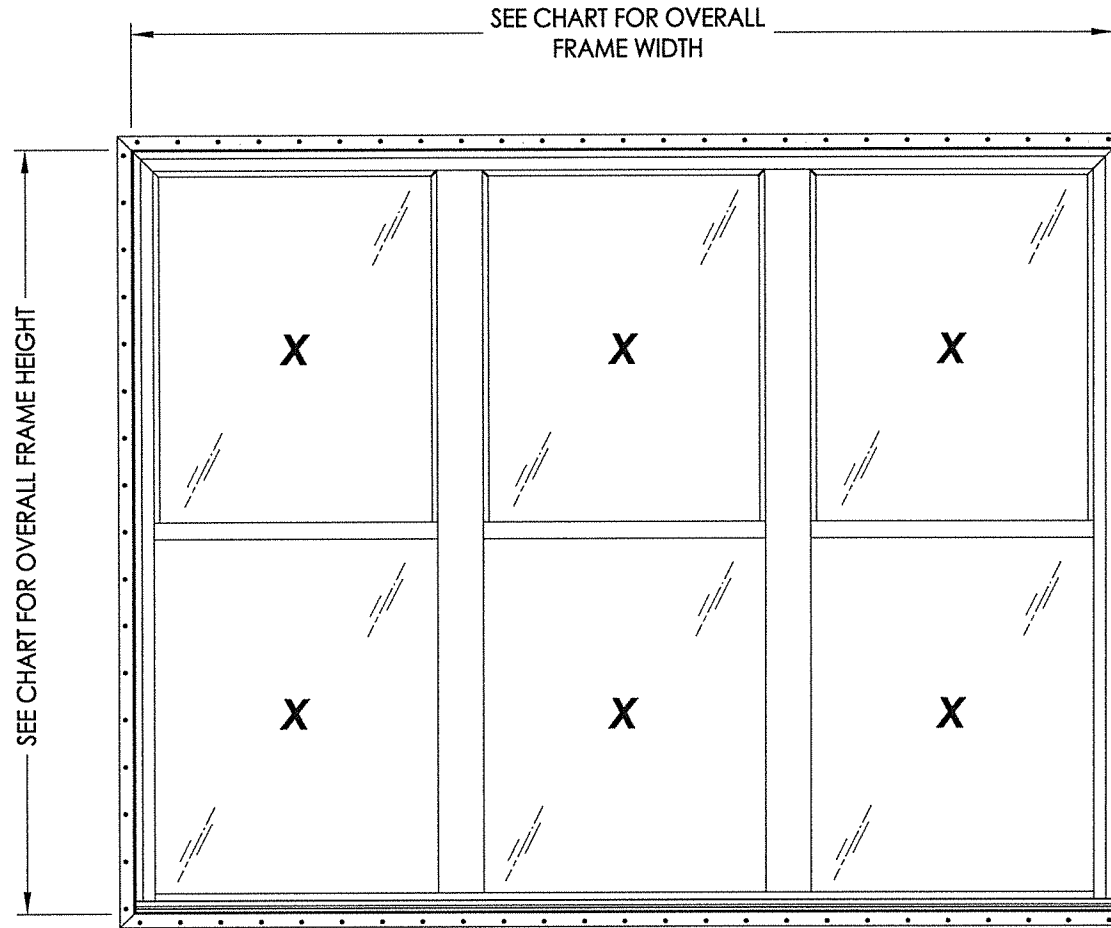


**SERIES 1900 MODEL 1931 HP  
TRIPLE DOUBLE HUNG WINDOW  
w/ NAILING FIN  
"NON-IMPACT"**



OVERALL FRAME DIMENSION	TOP SASH OVERALL D.L.O. DIMENSION	BOTTOM SASH OVERALL D.L.O. DIMENSION	GLASS TYPE	DESIGN PRESSURE (PSF)	
				POSITIVE	NEGATIVE
108.0" x 62.0"	29.88" x 27.75"	31.13" x 27.75"	G1	+45.0	-45.0

EVALUATED FOR USE IN THE STATE OF TEXAS

The Double Hung Window described herein complies with the 2018 International Residential Code (IRC), Sections R301 & R609 and the 2018 International Building Code (IBC), Sections 1404.13, 1609, 1709.5, 2403 and 2404 subject to the following conditions:

1. Anchors shall be as listed and spaced as shown in the details. Anchor embedment to base material shall be beyond wall dressing or stucco.
2. When used in areas requiring wind-borne debris protection this product is required to be protected with an impact resistant covering that complies with Section R301.2.1.2 of the IRC and Section 1609.2 of the IBC.
3. Allowable design pressure requirements must be equal to or less than the design pressure rating shown in the design pressure chart, sheet 1 of this drawing.
4. Conditions not covered by this drawing are subject to further engineering analysis.

TABLE OF CONTENTS	
SHEET#	DESCRIPTION
1	Typical elevations, design pressures & general notes
2	Vertical & horizontal cross sections & frame anchoring
3	Bill of materials, glazing details and components

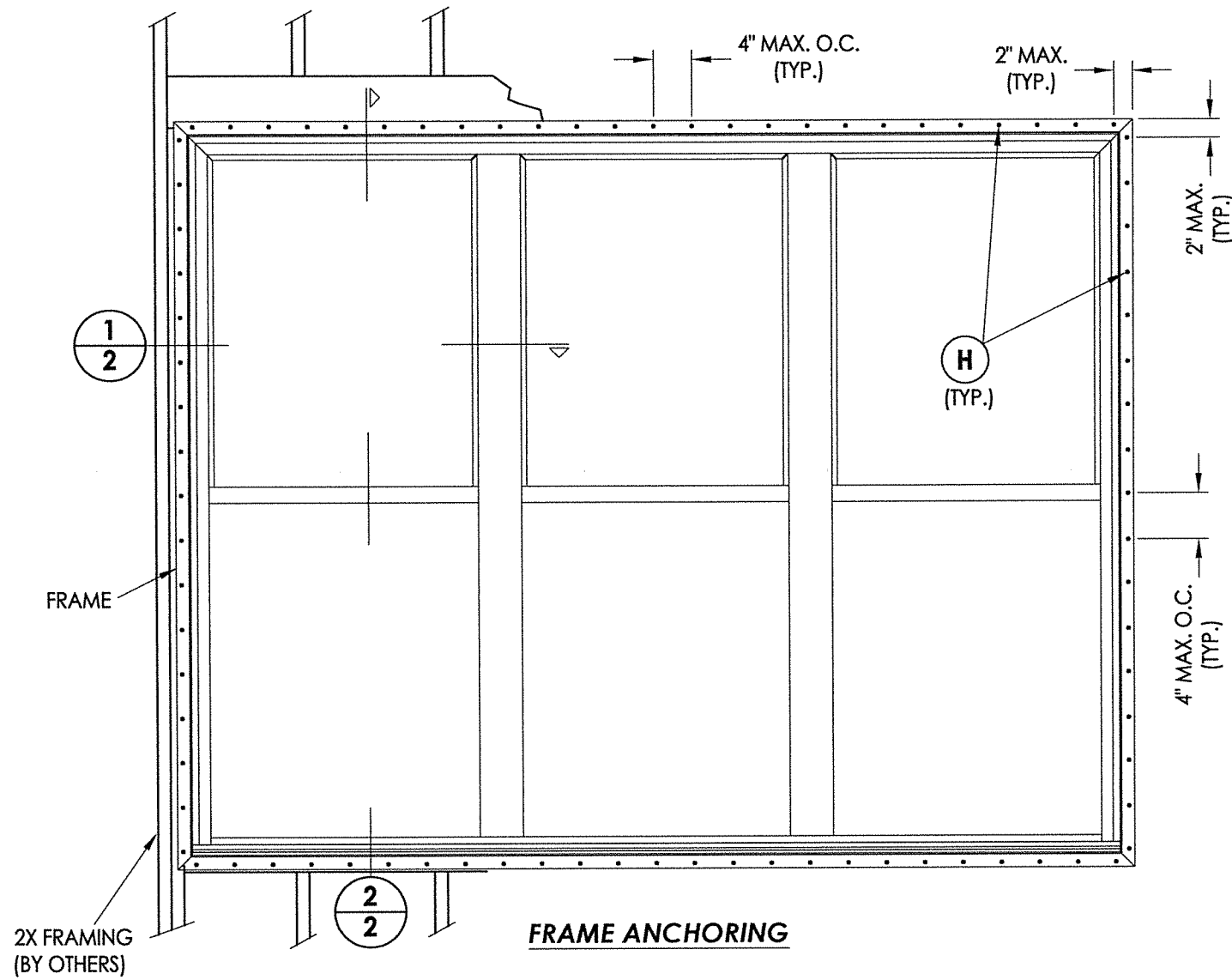
PRODUCT: DOUBLE HUNG WINDOW PART OR ASSEMBLY: TYPICAL ELEVATION, DESIGN PRESSURES & GENERAL NOTES	
NO.	DATE
BY	REVISIONS
DATE: 6/08/21	
SCALE: N.T.S.	
DWG. BY: RW	
CHK. BY: LFS	
DRAWING NO.: TX-5102	
SHEET 1 OF 3	

Documents Prepared By: Lyndon F. Schmidt, P.E.  
TEXAS P.E. #104123

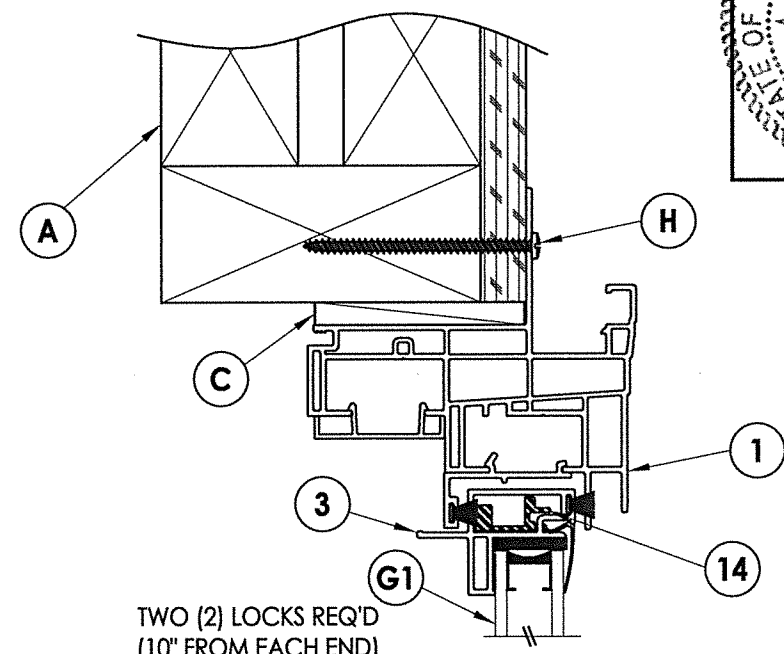
*RW* BUILDING CONSULTANTS, INC.  
P.O. Box 230 Valrico FL 33595  
Phone No.: 813.659.9197

TEXAS BOARD OF PROFESSIONAL ENGINEERS  
CERTIFICATE OF REGISTRATION # F-11852

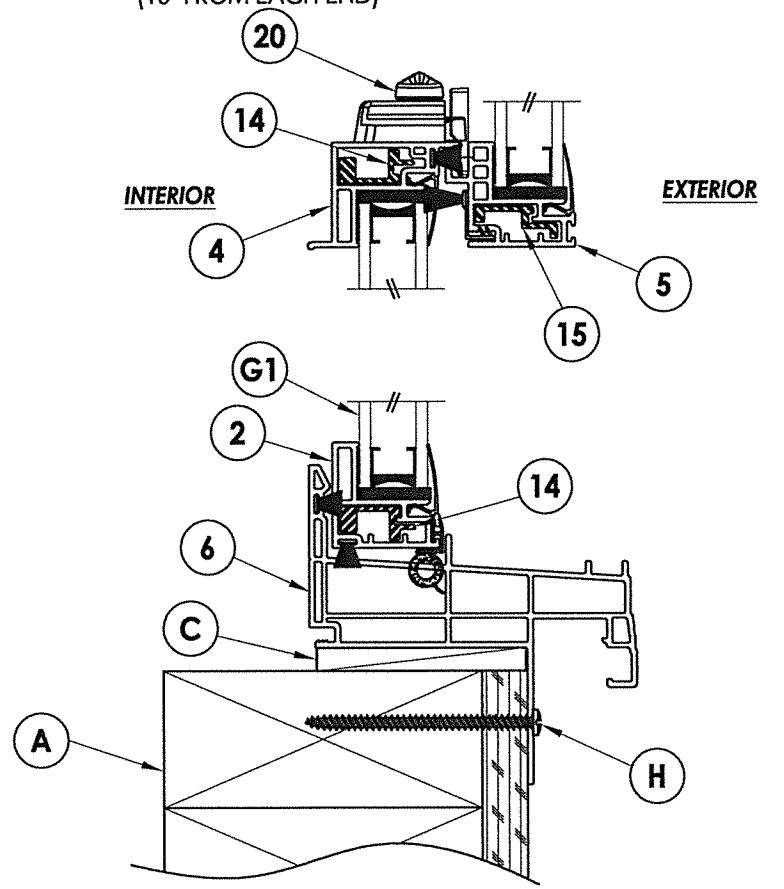
Z:\Clients\Associated PERMANENT\B - Texas Dept of Ins\Double Hung\WIN-XXX Series 1900 DH\C - Drawings\TX-5099-5102.dwg



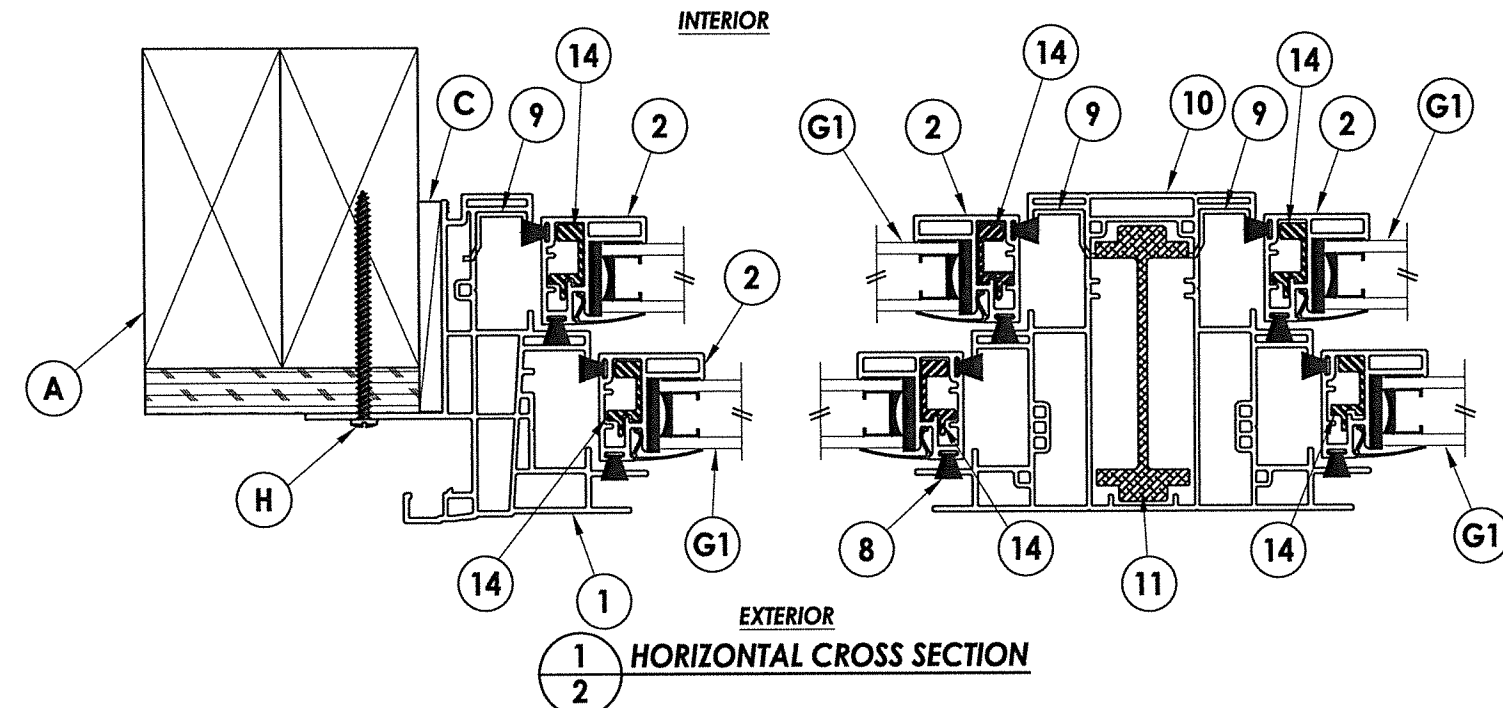
**FRAME ANCHORING**



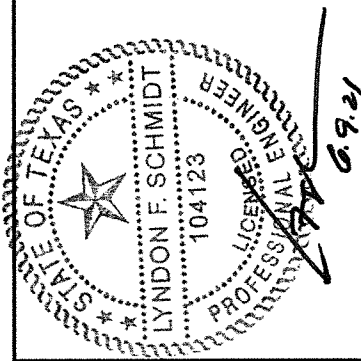
TWO (2) LOCKS REQ'D  
(10" FROM EACH END)



**2**  
**2** **VERTICAL CROSS SECTION**



**1**  
**2** **HORIZONTAL CROSS SECTION**



6.9.21

Documents Prepared By: Lyndon F. Schmidt, P.E.  
TEXAS P.E. #104123

**RW** BUILDING CONSULTANTS, INC.  
P.O. Box 230 Valrico FL 33595  
Phone No.: 813.659.9197

TEXAS BOARD OF PROFESSIONAL ENGINEERS  
CERTIFICATE OF REGISTRATION # F-11852

PRODUCT:	DOUBLE HUNG WINDOW
PART OR ASSEMBLY:	VERTICAL & HORIZONTAL CROSS SECTIONS & FRAME ANCHORING

NO.	DATE	BY	REVISIONS

DATE:	6/08/21
SCALE:	N.T.S.
DWG. BY:	RW
CHK. BY:	LFS
DRAWING NO.:	TX-5102
SHEET	2 OF 3

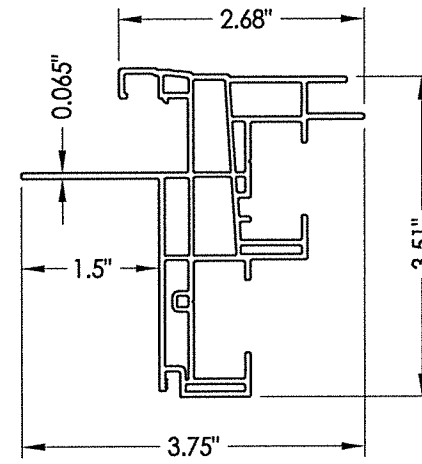
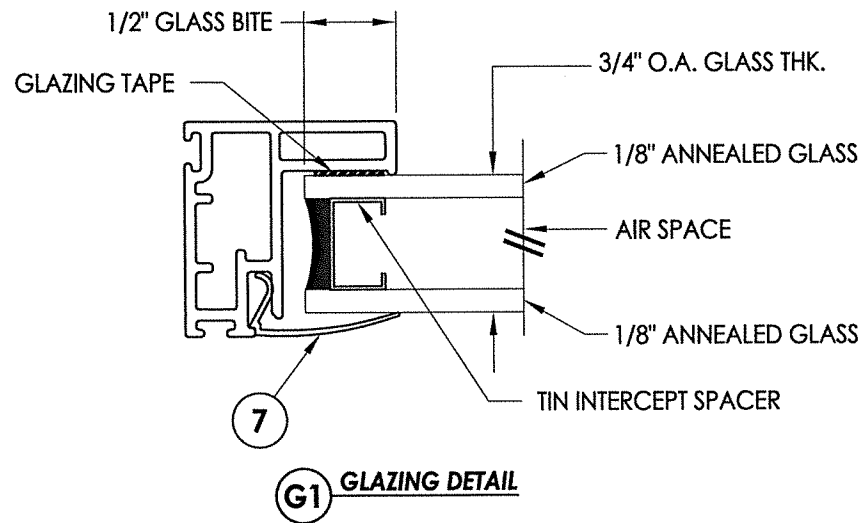
© 2021 R.W. BUILDING CONSULTANTS INC.

Z:\Clients\Associated PERMANENT\B - Texas Dept of Ins\Double Hung\WIN-XXX Series 1900 DH\C - Drawings\TX-5099-5102.dwg

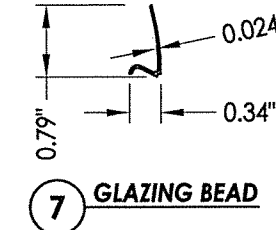
**BILL OF MATERIALS**

ITEM #	DESCRIPTION	MATERIAL
A	2X FRAMING (SG >= 0.42)	WOOD
C	1/4" MAX. SHIM SPACE	-
H	#8 X 2-1/2" PPH SMS (1-3/4" MIN. EMBEDMENT)	STEEL
1	EXTRUDED VINYL FRAME HEAD*	RIGID PVC
2	EXTRUDED VINYL SASH STILE/RAIL*	RIGID PVC
3	EXTRUDED VINYL FRAME JAMB*	RIGID PVC
4	EXTRUDED VINYL LOCK STILE*	RIGID PVC
5	EXTRUDED VINYL MEETING RAIL*	RIGID PVC
6	EXTRUDED VINYL SILL*	RIGID PVC
7	EXTRUDED VINYL GLAZING BEAD*	RIGID PVC
8	WEATHERSTRIP (FIN PILE)	-
9	JAMB CLIP	S.S.
10	INTEGRAL MULLION*	RIGID PVC
11	MULLION REINFORCEMENT (S-048) (6005A-T5)	ALUM
14	SASH / STILE & RAIL REINFORCEMENT (S-047) (6063-T5)	ALUM
15	MEETING RAIL REINFORCEMENT (S-065) (6063-T5)	ALUM
20	CAM LOCK	-

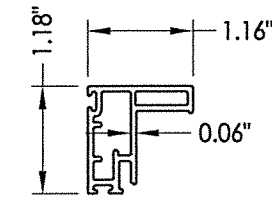
\*THE APPROVED WHITE RIGID PVC EXTERIOR EXTRUSIONS FOR WINDOWS ARE TO BE PRODUCED BY EXTRUDERS LICENSEES IN "AAMA CERTIFICATION PROGRAMS FOR RIGID PVC EXTRUSIONS."



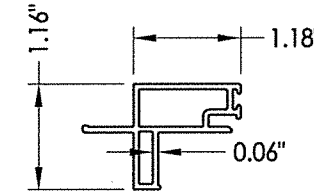
1 FRAME HEAD & JAMB



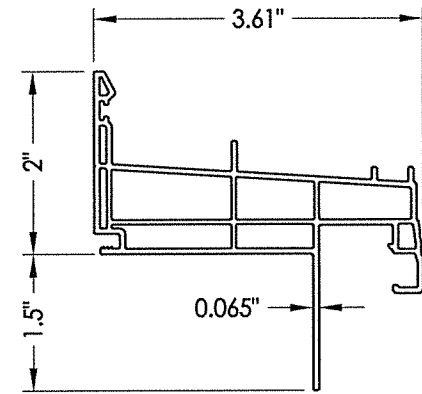
7 GLAZING BEAD



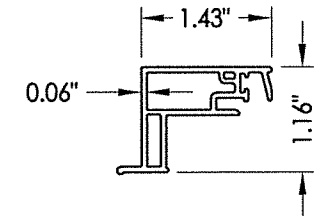
2 SASH STILE/RAIL



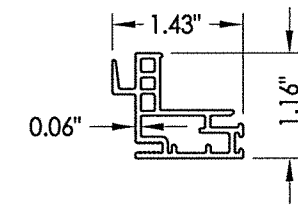
3 TOP RAIL



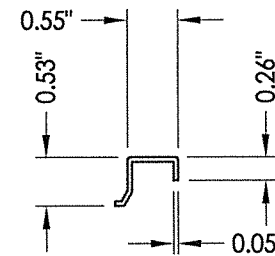
6 SILL



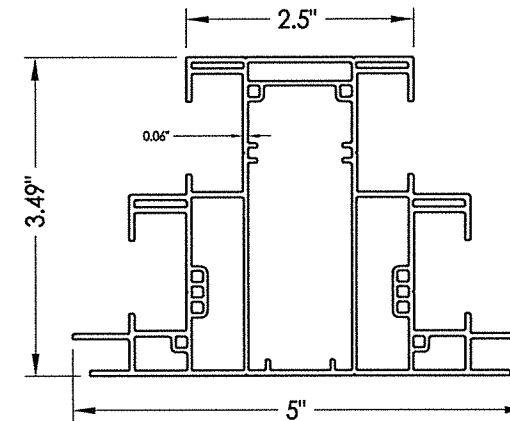
4 LOCK RAIL



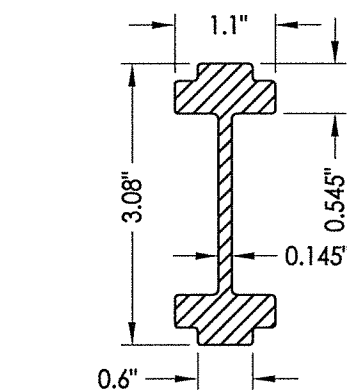
5 MEETING RAIL



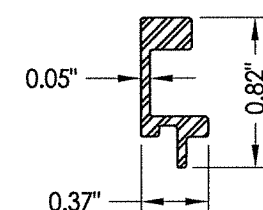
9 JAMB CLIP  
1" LONG



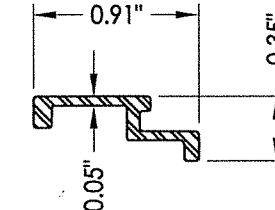
10 INTEGRAL MULLION



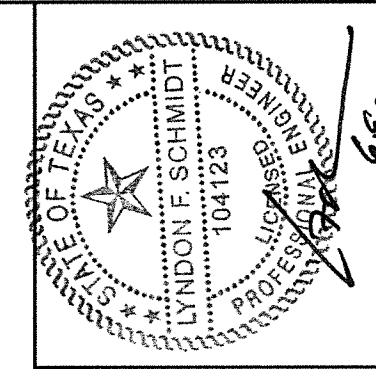
11 MULLION REINFORCEMENT



14 SASH/STILE & RAIL REINFORCEMENT



15 MEETING RAIL REINFORCEMENT



Documents Prepared By: Lyndon F. Schmidt, P.E.  
TEXAS P.E. #104123

RW BUILDING CONSULTANTS, INC.  
P.O. Box 230 Valrico FL 33595  
Phone No.: 813.659.9197

TEXAS BOARD OF PROFESSIONAL ENGINEERS  
CERTIFICATE OF REGISTRATION # F-11852

PRODUCT: DOUBLE HUNG WINDOW  
PART OR ASSEMBLY: BILL OF MATERIALS, GLAZING DETAILS & COMPONENTS

NO.	DATE	BY	REVISIONS

DATE: 6/08/21  
SCALE: N.T.S.  
DWG. BY: RW  
CHK. BY: LFS  
DRAWING NO.: TX-5102  
SHEET 3 OF 3