

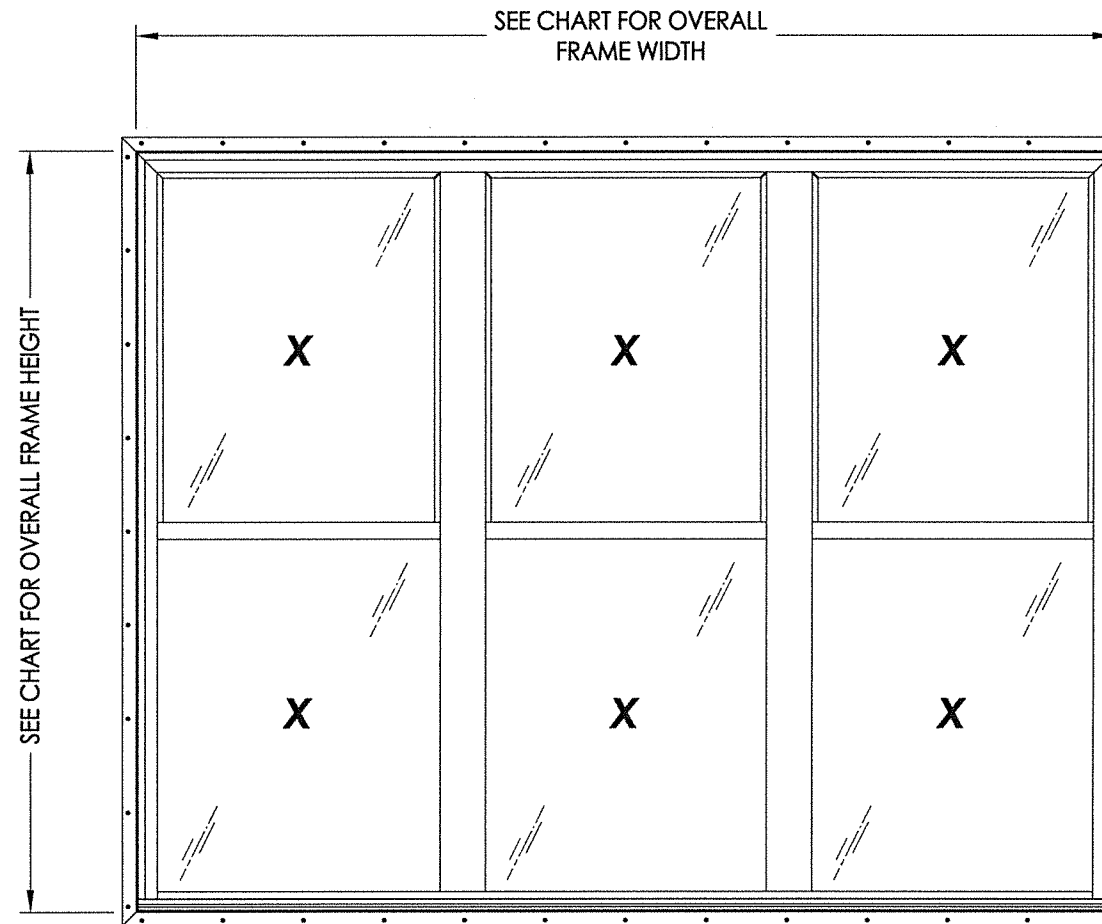
SERIES 1900 MODEL 1931 TRIPLE DOUBLE HUNG WINDOW w/ NAILING FIN "NON-IMPACT"

EVALUATED FOR USE IN THE STATE OF TEXAS

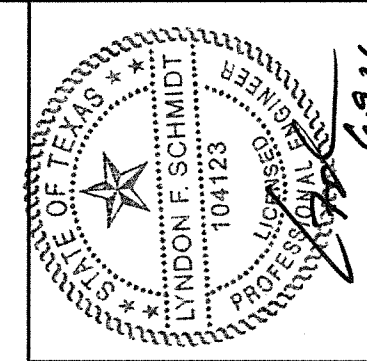
The Double Hung Window described herein complies with the 2018 International Residential Code (IRC), Sections R301 & R609 and the 2018 International Building Code (IBC), Sections 1404.13, 1609, 1709.5, 2403 and 2404 subject to the following conditions:

1. Anchors shall be as listed and spaced as shown in the details. Anchor embedment to base material shall be beyond wall dressing or stucco.
2. When used in areas requiring wind-borne debris protection this product is required to be protected with an impact resistant covering that complies with Section R301.2.1.2 of the IRC and Section 1609.2 of the IBC.
3. Allowable design pressure requirements must be equal to or less than the design pressure rating shown in the design pressure chart, sheet 1 of this drawing.
4. Conditions not covered by this drawing are subject to further engineering analysis.

TABLE OF CONTENTS	
SHEET#	DESCRIPTION
1	Typical elevations, design pressures & general notes
2	Vertical & horizontal cross sections & frame anchoring
3	Bill of materials, glazing details and components



OVERALL FRAME DIMENSION	TOP SASH OVERALL D.L.O. DIMENSION	BOTTOM SASH OVERALL D.L.O. DIMENSION	GLASS TYPE	DESIGN PRESSURE (PSF)	
				POSITIVE	NEGATIVE
108.0" x 75.0"	30.0" x 34.25"	31.25" x 34.25"	G1	+25.0	-25.0



Documents Prepared By: Lyndon F. Schmidt, P.E.
TEXAS P.E. #104123

RW BUILDING CONSULTANTS, INC.
P.O. Box 230 Valrico FL 33595
Phone No.: 813.659.9197

TEXAS BOARD OF PROFESSIONAL ENGINEERS
CERTIFICATE OF REGISTRATION # F-11852

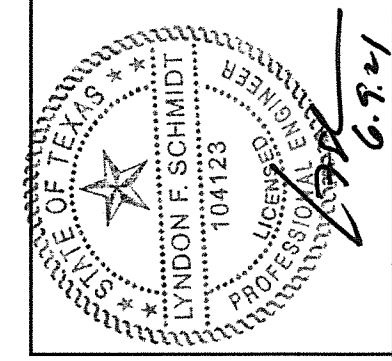
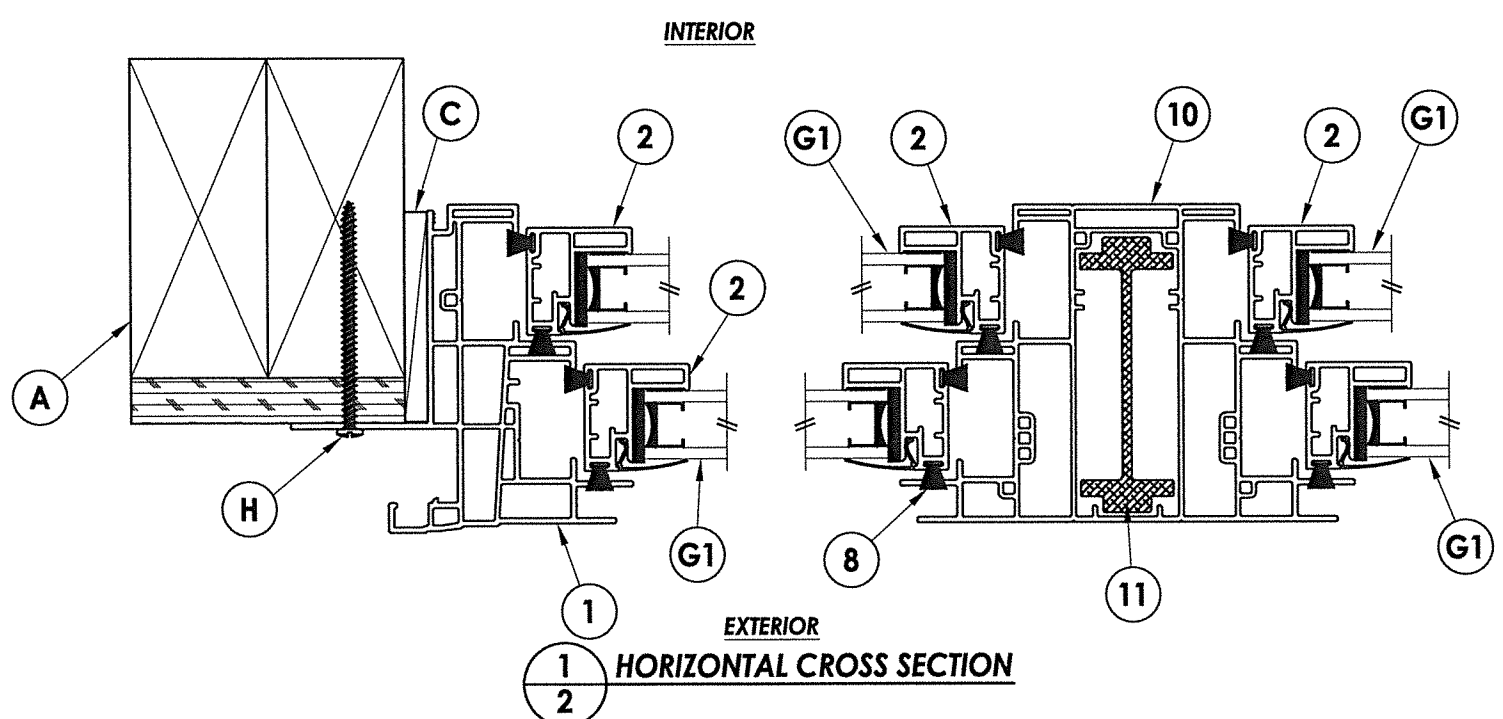
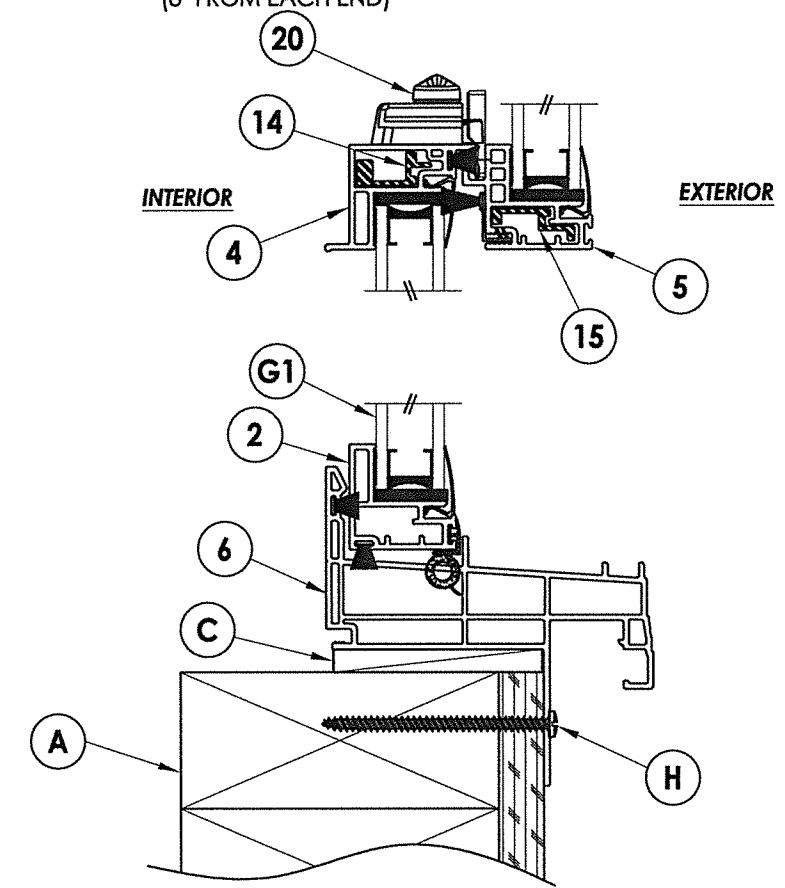
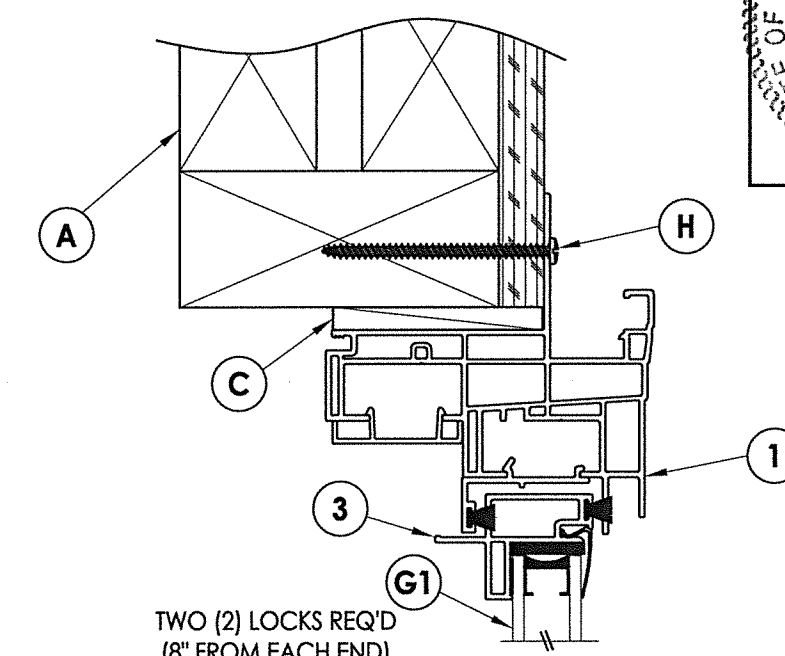
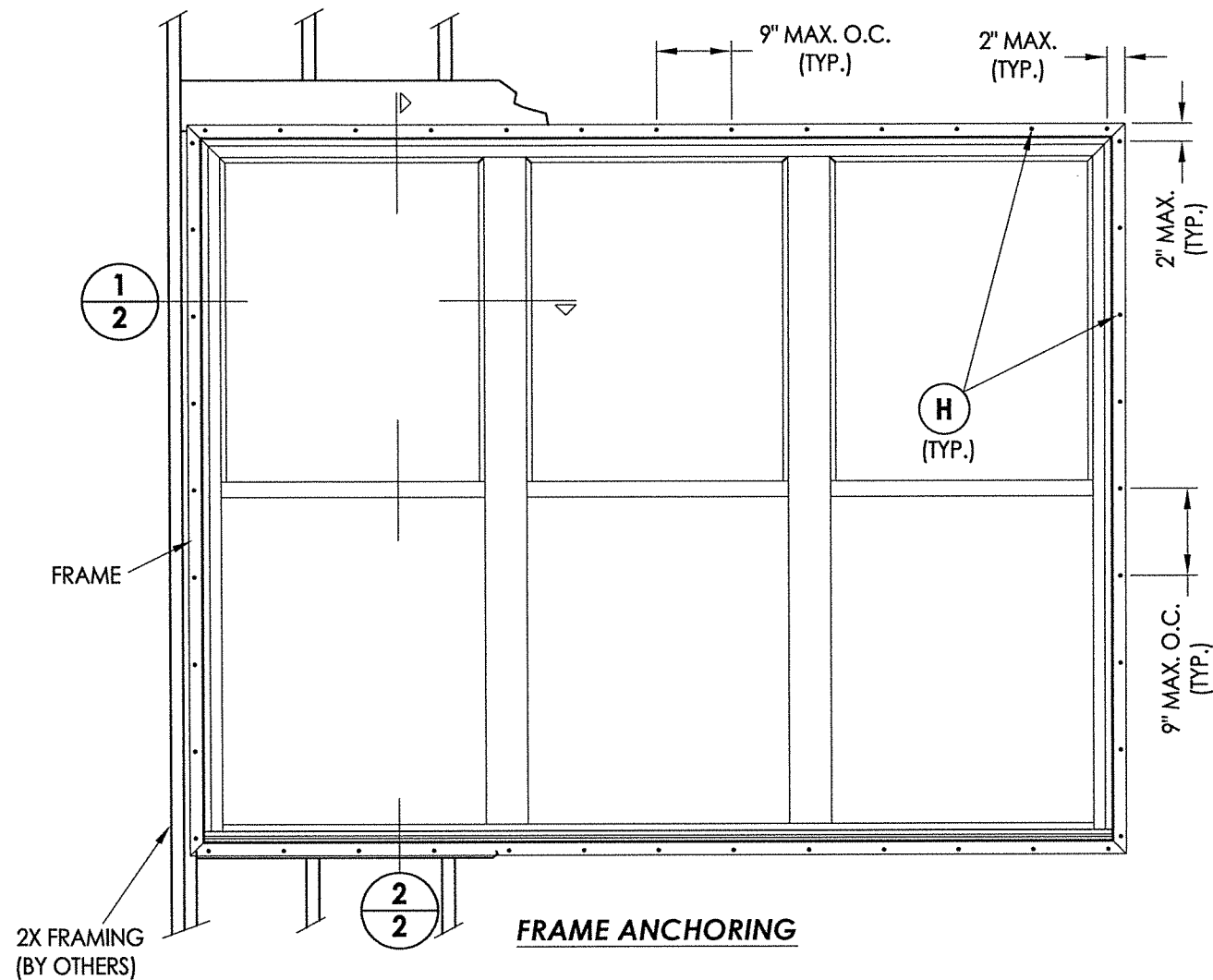
PRODUCT: DOUBLE HUNG WINDOW

PART OR ASSEMBLY: TYPICAL ELEVATION, DESIGN PRESSURES & GENERAL NOTES

NO.	DATE	BY	REVISIONS

DATE: 6/08/21
SCALE: N.T.S.
DWG. BY: RW
CHK. BY: LFS
DRAWING NO.: TX-5101
SHEET 1 OF 3

Z:\Clients\Associated PERMANENT\B - Texas Dept of Ins\Double Hung\WIN-XXX Series 1900 DH\C - Drawings\TX-5099-5102.dwg



Documents Prepared By: Lyndon F. Schmidt, P.E.
TEXAS P.E. #104123
R.W. BUILDING CONSULTANTS, INC.
P.O. Box 230 Vairico FL 33595
Phone No.: 813.659.9197
TEXAS BOARD OF PROFESSIONAL ENGINEERS
CERTIFICATE OF REGISTRATION # F-11852

PRODUCT: DOUBLE HUNG WINDOW
PART OR ASSEMBLY: VERTICAL & HORIZONTAL CROSS SECTIONS & FRAME ANCHORING

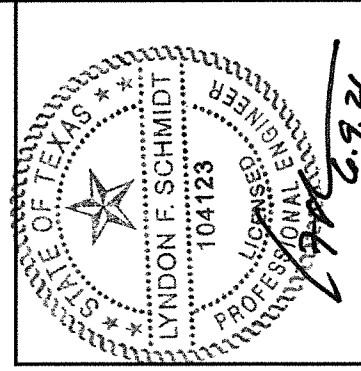
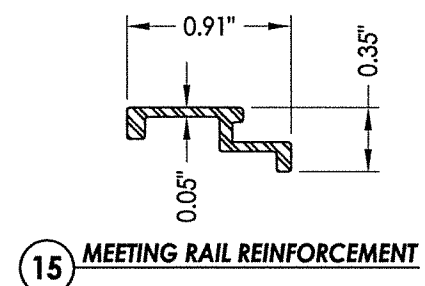
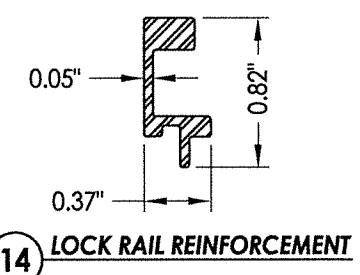
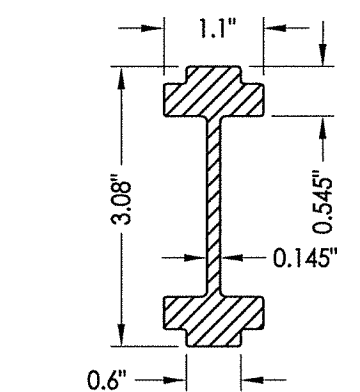
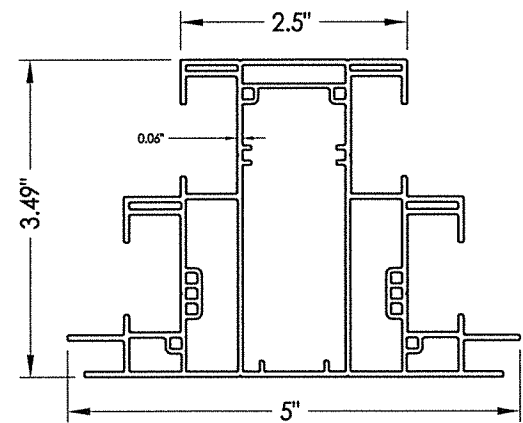
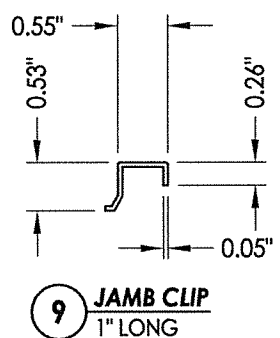
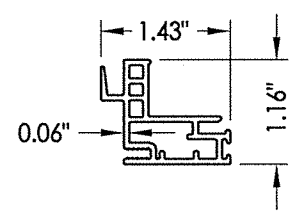
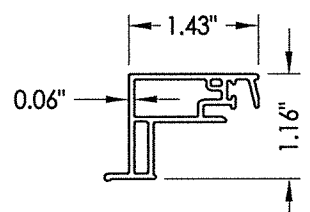
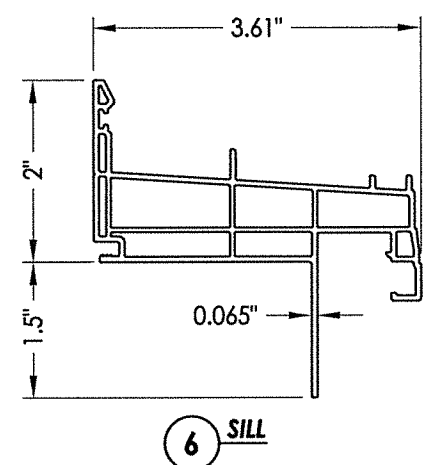
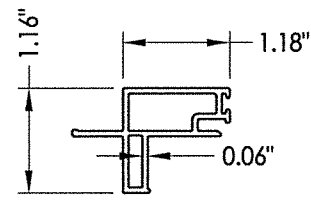
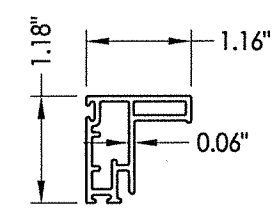
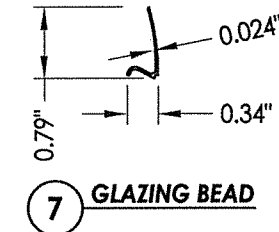
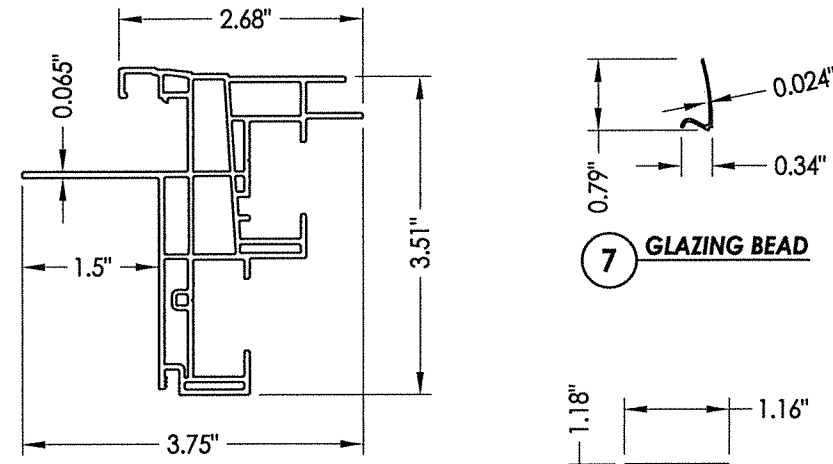
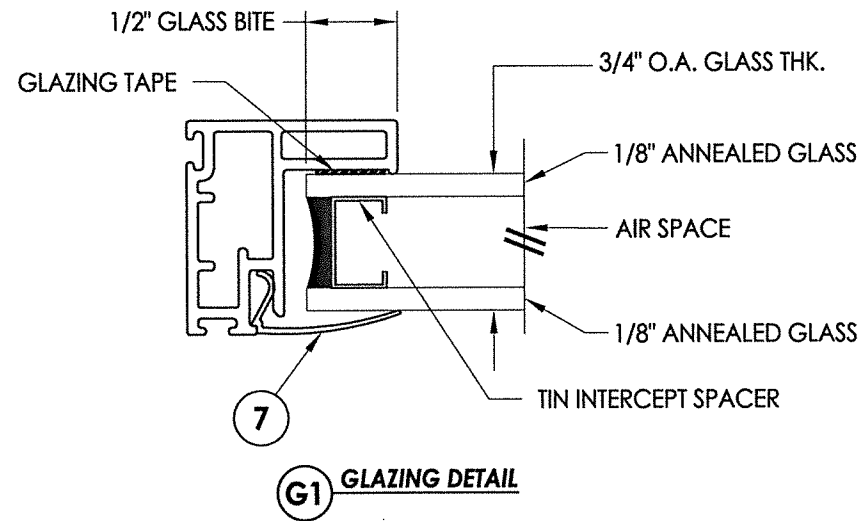
NO.	DATE	BY	REVISIONS

DATE: 6/08/21
SCALE: N.T.S.
DWG. BY: RW
CHK. BY: LFS
DRAWING NO.: TX-5101
SHEET 2 OF 3

BILL OF MATERIALS

ITEM #	DESCRIPTION	MATERIAL
A	2X FRAMING (SG >= 0.42)	WOOD
C	1/4" MAX. SHIM SPACE	-
H	#8 X 2-1/2" PPH SMS (1-3/4" MIN. EMBEDMENT)	STEEL
1	EXTRUDED VINYL FRAME HEAD*	RIGID PVC
2	EXTRUDED VINYL SASH STILE/RAIL*	RIGID PVC
3	EXTRUDED VINYL FRAME JAMB*	RIGID PVC
4	EXTRUDED VINYL LOCK STILE*	RIGID PVC
5	EXTRUDED VINYL MEETING RAIL*	RIGID PVC
6	EXTRUDED VINYL SILL*	RIGID PVC
7	EXTRUDED VINYL GLAZING BEAD*	RIGID PVC
8	WEATHERSTRIP (FIN PILE)	-
9	JAMB CLIP	S.S.
10	INTEGRAL MULLION*	RIGID PVC
11	MULLION REINFORCEMENT (S-048) (6005A-T5)	ALUM
14	LOCK RAIL REINFORCEMENT (S-047) (6063-T5)	ALUM
15	MEETING RAIL REINFORCEMENT (S-065) (6063-T5)	ALUM
20	CAM LOCK	-

*THE APPROVED WHITE RIGID PVC EXTERIOR EXTRUSIONS FOR WINDOWS ARE TO BE PRODUCED BY EXTRUDERS LICENSEES IN "AAMA CERTIFICATION PROGRAMS FOR RIGID PVC EXTRUSIONS."



Documents Prepared By: Lyndon F. Schmidt, P.E.
TEXAS P.E. #104123

RW BUILDING CONSULTANTS, INC.
P.O. Box 230 Valrico FL 33595
Phone No.: 813.659.9197

TEXAS BOARD OF PROFESSIONAL ENGINEERS
CERTIFICATE OF REGISTRATION # F-11852

PRODUCT:	DOUBLE HUNG WINDOW	
PART OR ASSEMBLY:	BILL OF MATERIALS, GLAZING DETAILS & COMPONENTS	
NO.	DATE	BY
REVISIONS		
DATE:	6/08/21	
SCALE:	N.T.S.	
DWG. BY:	RW	
CHK. BY:	LFS	
DRAWING NO.:	TX-5101	
SHEET	3	OF 3