

REVISIONS			
REV	DESCRIPTION	DATE	APPROVED

NOTES:

1. THE PRODUCT SHOWN HEREIN IS DESIGNED AND MANUFACTURED TO COMPLY WITH REQUIREMENTS OF THE FLORIDA BUILDING CODE.
2. WOOD FRAMING AND MASONRY OPENING TO BE DESIGNED AND ANCHORED TO PROPERLY TRANSFER ALL LOADS TO STRUCTURE. FRAMING AND MASONRY OPENING IS THE RESPONSIBILITY OF THE ARCHITECT OR ENGINEER OF RECORD.
3. 1X BUCK OVER MASONRY/CONCRETE IS OPTIONAL.
4. WHERE SHIM OR BUCK THICKNESS IS LESS THAN 1-1/2" UNITS MUST BE ANCHORED THROUGH THE FRAME IN ACCORDANCE WITH MANUFACTURER'S PUBLISHED INSTALLATION INSTRUCTIONS. ANCHORS SHALL BE SECURELY FASTENED DIRECTLY INTO MASONRY, CONCRETE OR OTHER STRUCTURAL SUBSTRATE MATERIAL.
5. WHERE WOOD BUCK THICKNESS IS 1-1/2" OR GREATER, BUCK SHALL BE SECURELY FASTENED TO MASONRY, CONCRETE OR OTHER STRUCTURAL SUBSTRATE. UNITS MAY BE ANCHORED THROUGH FRAME TO SECURED WOOD BUCK IN ACCORDANCE WITH MANUFACTURER'S PUBLISHED INSTALLATION INSTRUCTIONS.
6. WHERE 1X BUCK IS NOT USED DISSIMILAR MATERIALS MUST BE SEPARATED WITH APPROVED COATING OR MEMBRANE. SELECTION OF COATING OR MEMBRANE IS THE RESPONSIBILITY OF THE ARCHITECT OR ENGINEER OF RECORD.
7. BUCKS SHALL EXTEND BEYOND UNIT FRAME INTERIOR FACE SO THAT FULL FRAME SUPPORT IS PROVIDED.
8. FOR FIN INSTALLATION SHIM AS NEEDED. FOR FRAME INSTALLATION SHIM AS REQUIRED AT EACH ANCHOR LOCATION WITH LOAD BEARING SHIM. SHIM WHERE SPACE OF 1/16" OR GREATER OCCURS. MAXIMUM ALLOWABLE SHIM STACK TO BE 1/4".
9. SHIMS SHALL BE LOCATED, APPLIED AND MADE FROM MATERIALS AND THICKNESS CAPABLE OF SUSTAINING APPLICABLE LOADS.
10. WIND LOAD DURATION FACTOR Cd=1.6 WAS USED FOR WOOD ANCHOR CALCULATIONS.
11. FRAME MATERIAL: EXTRUDED RIGID PVC.
12. UNITS MUST BE GLAZED PER ASTM E1300
13. APPROVED IMPACT PROTECTIVE SYSTEM IS REQUIRED FOR THIS PRODUCT IN WIND BORNE DEBRIS REGIONS.
14. FOR ANCHORING THROUGH FIN INTO WOOD FRAMING OR 2X BUCK USE #8 WOOD SCREWS WITH SUFFICIENT LENGTH TO ACHIEVE A 1 1/4" MINIMUM EMBEDMENT INTO SUBSTRATE. LOCATE ANCHORS AS SHOWN IN ELEVATIONS AND INSTALLATION DETAILS.

15. FOR ANCHORING THROUGH FRAME INTO WOOD FRAMING OR 2X BUCK USE #8 WOOD SCREWS WITH SUFFICIENT LENGTH TO ACHIEVE A 1 1/4" MINIMUM EMBEDMENT INTO SUBSTRATE. LOCATE ANCHORS AS SHOWN IN ELEVATIONS AND INSTALLATION DETAILS.
16. FOR ANCHORING THROUGH FRAME INTO MASONRY/CONCRETE USE 3/16" TAPCONS WITH SUFFICIENT LENGTH TO ACHIEVE A 1 1/4" MINIMUM EMBEDMENT INTO SUBSTRATE WITH 2" MINIMUM EDGE DISTANCE. LOCATE ANCHORS AS SHOWN IN ELEVATIONS AND INSTALLATION DETAILS.
17. FOR ANCHORING THROUGH FRAME INTO METAL STRUCTURE USE #8 SMS OR SELF DRILLING SCREWS WITH SUFFICIENT LENGTH TO ACHIEVE 3 THREADS MINIMUM BEYOND STRUCTURE INTERIOR WALL. LOCATE ANCHORS AS SHOWN IN ELEVATIONS AND INSTALLATION DETAILS.
18. ALL FASTENERS TO BE CORROSION RESISTANT.
19. INSTALLATION ANCHORS SHALL BE INSTALLED IN ACCORDANCE WITH ANCHOR MANUFACTURER'S INSTALLATION INSTRUCTIONS AND ANCHORS SHALL NOT BE USED IN SUBSTRATES WITH STRENGTHS LESS THAN THE MINIMUM STRENGTH SPECIFIED BELOW:
  - A. WOOD: MINIMUM SPECIFIC GRAVITY OF G=0.42
  - B. CONCRETE: MINIMUM COMPRESSIVE STRENGTH OF 2,000 PSI.
  - C. MASONRY: HOLLOW/FILLED BLOCK PER ASTM C90 WITH Fm=2,000PSI MINIMUM.
  - D. METAL STRUCTURE: STEEL 18GA (.048") FY=33KSI/FU=52KSI OR ALUMINUM 6063-T5 FU=30KSI .125" THICK MINIMUM

SIGNED: 03/03/2021

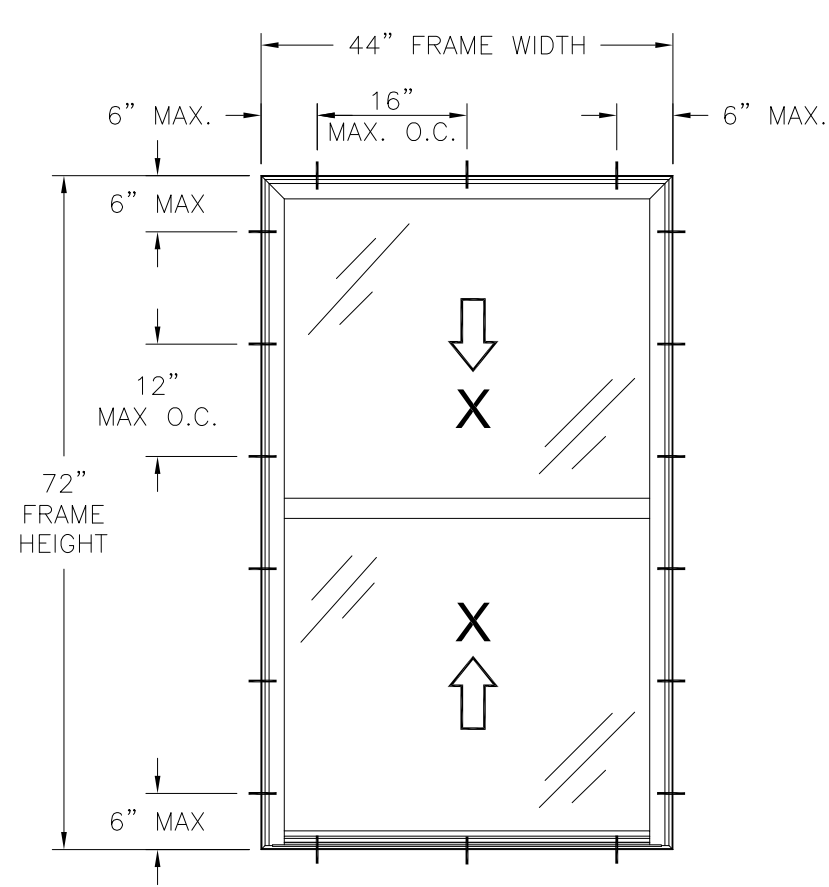
TABLE OF CONTENTS	
SHEET NO.	DESCRIPTION
1	NOTES
2	ELEVATIONS
3 - 5	INSTALLATION DETAILS
6	COMPONENTS

<b>PRO WINDOW &amp; DOOR, INC.</b> 6500 FORBING RD. #100 LITTLE ROCK, AR 72209		
WINDGATE/BELMONT PVC SINGLE HUNG WINDOW 44" X 72" NON-IMPACT NOTES		
DRAWN: A.R.	DWG NO. 08-03541	REV -
SCALE NTS	DATE 03/17/2020	SHEET 1 OF 6
L. ROBERTO LOMAS P.E. 1432 WOODFORD RD LEWISVILLE, NC 27023 434-688-0609 rllomas@lrlomaspe.com		

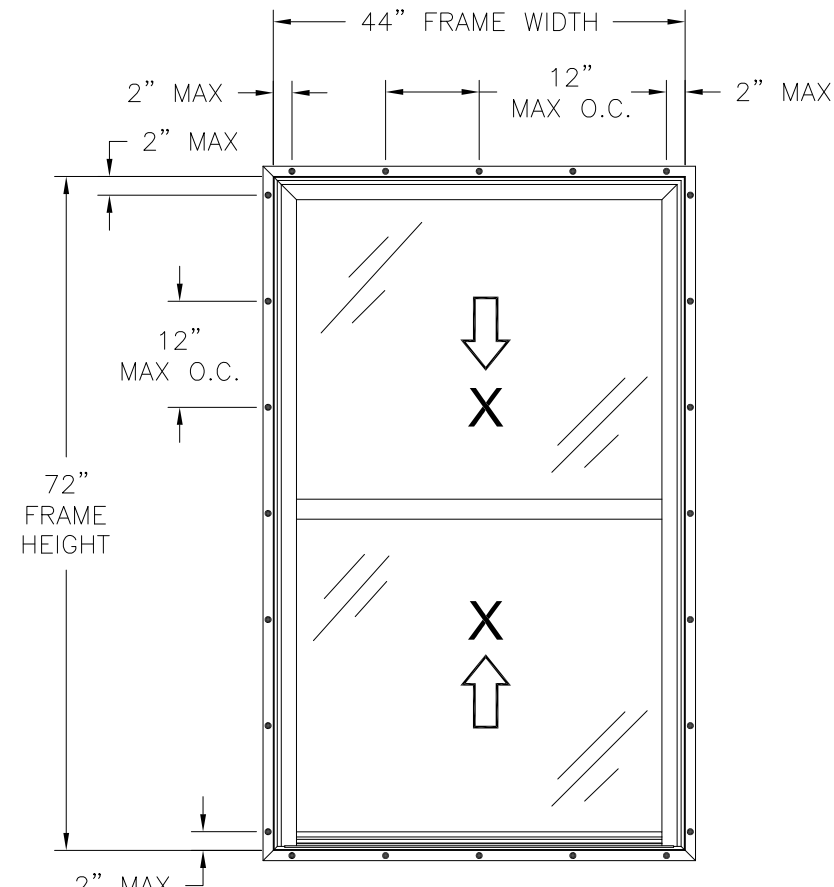


Luis R. Lomas P.E.  
TX No: 101889

REVISIONS			
REV	DESCRIPTION	DATE	APPROVED



**WINDGATE/BELMONT SH**  
EXTERIOR VIEW  
FRAME INSTALLATION



**WINDGATE/BELMONT SH**  
EXTERIOR VIEW  
FIN INSTALLATION

**NOTES:**  
1. SASH SIZE: 40 7/8" X 35 1/4"  
2. D.L.O. SIZE: 39 1/16" X 32 5/8"

DESIGN PRESSURE RATING	IMPACT RATING
±50PSF	NONE

SIGNED: 03/03/2021

HARDWARE SCHEDULE	
A.	(2) BLOCK AND TACKLE BALANCE SYSTEM WITH LOCKING SHOE, ONE AT EACH JAMB
B.	(2) METAL PIVOT BAR, ONE AT EACH END OF BOTTOM RAIL
C.	(2) PLASTIC TILT LATCH, ONE AT EACH END OF LOCK RAIL
D.	(2) METAL CAM LOCK WITH KEEPER, ONE 10 1/2" IN FROM EACH END OF LOCK RAIL
E.	(2) COMPOSITE CAM LOCK WITH KEEPER, ONE 10 1/2" IN FROM EACH END OF LOCK RAIL
F.	ALUMINUM REINFORCEMENT (A6189) AT FIXED MEETING RAIL
G.	ALUMINUM REINFORCEMENT (10300082) AT LOCK RAIL AND BOTTOM RAIL
H.	ALUMINUM REINFORCEMENT (10300082) AT SASH STILES

PRO WINDOW & DOOR, INC.  
6500 FORBING RD. #100  
LITTLE ROCK, AR 72209

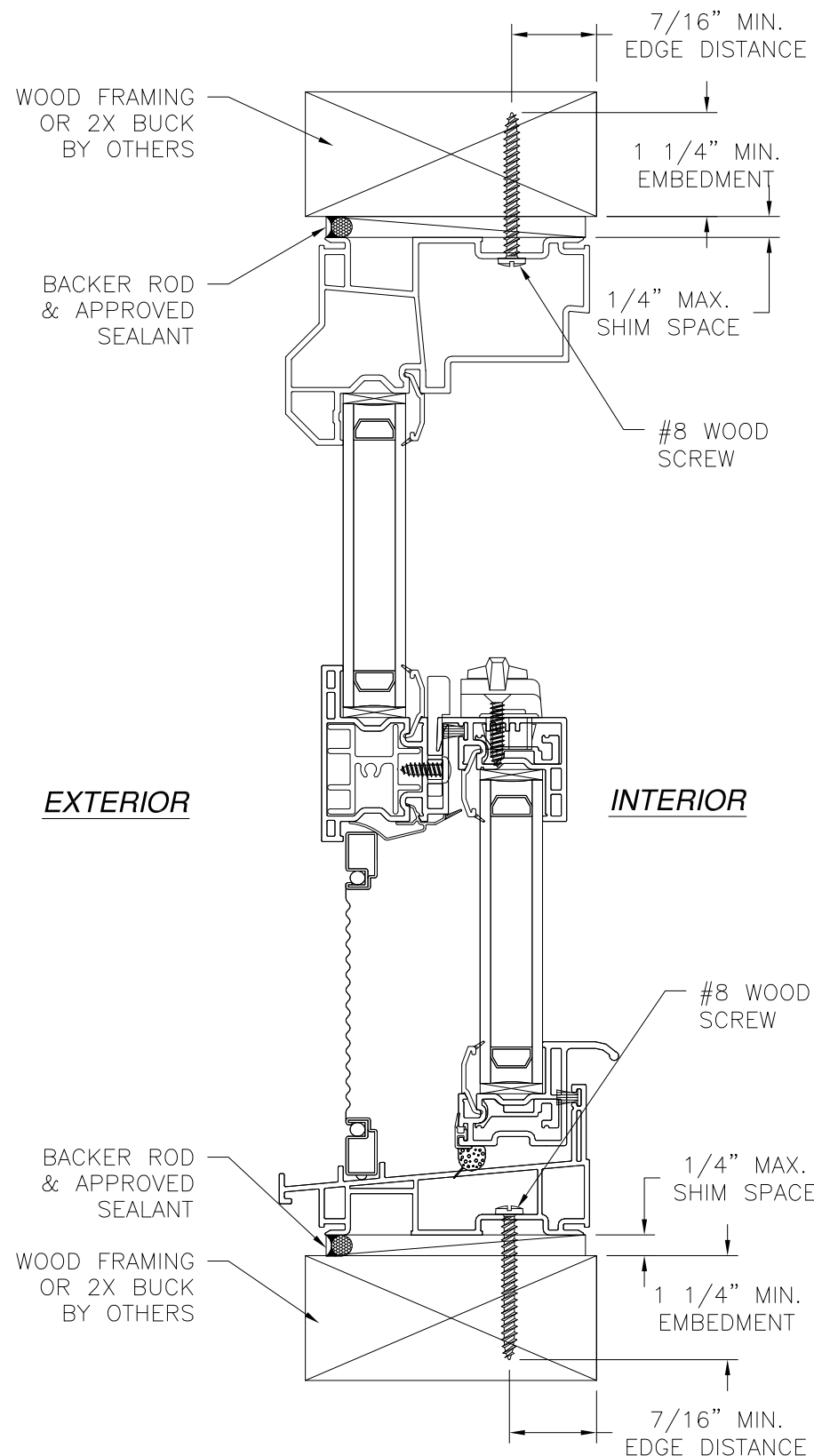
WINDGATE/BELMONT PVC SINGLE HUNG WINDOW  
44" X 72" NON-IMPACT  
ELEVATIONS

DRAWN: A.R.	DWG NO. 08-03541	REV -
SCALE NTS	DATE 03/17/2020	SHEET 2 OF 6

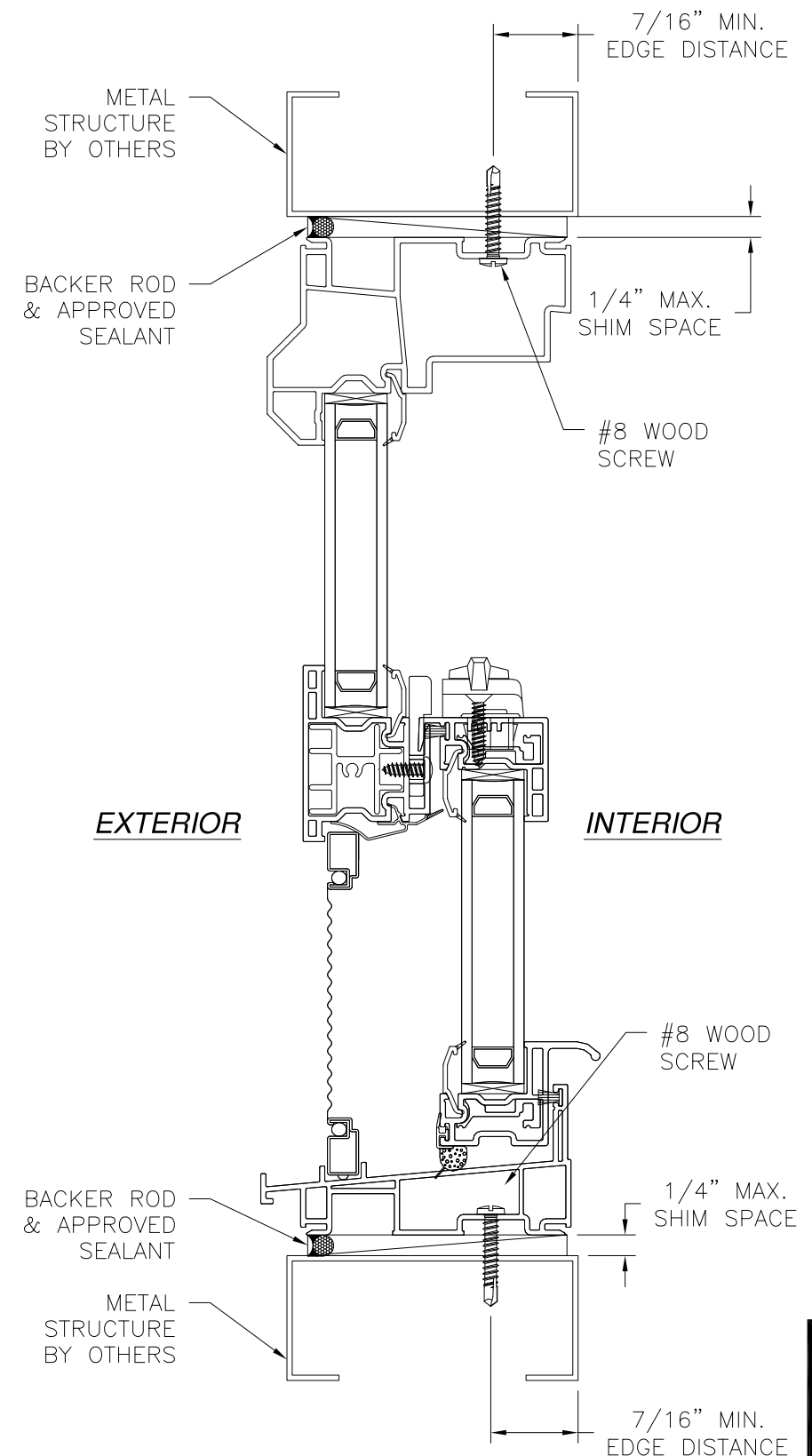
L. ROBERTO LOMAS P.E.  
1432 WOODFORD RD LEWISVILLE, NC 27023  
434-688-0609 rllomas@rlomaspe.com



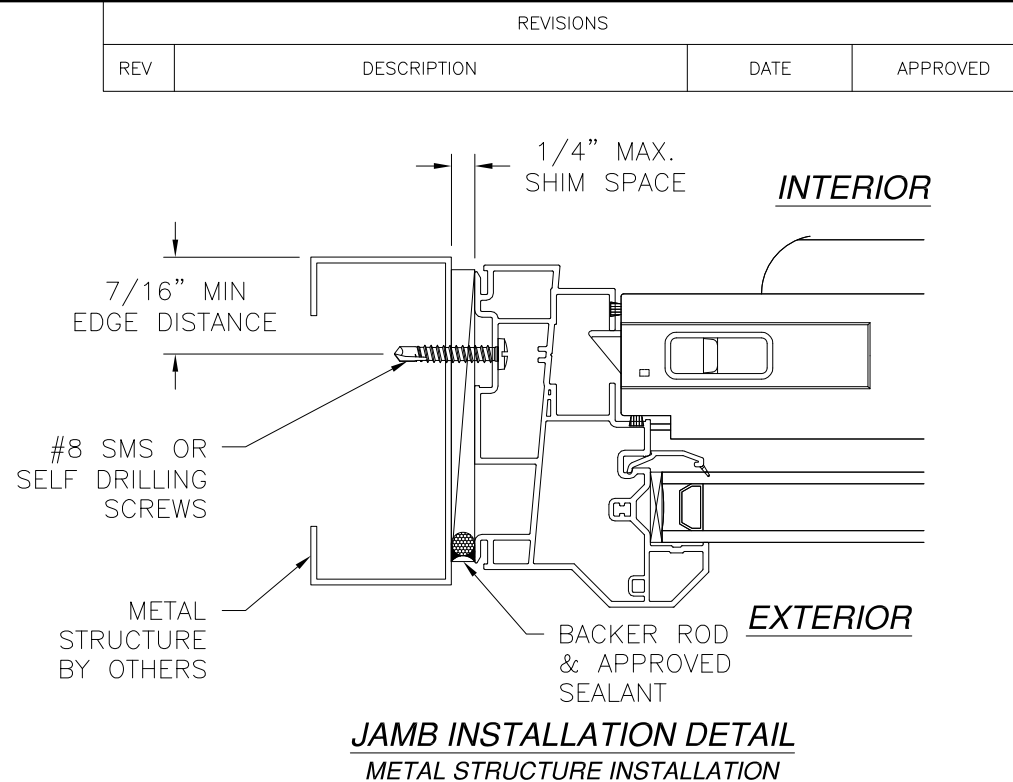
Luis R. Lomas P.E.  
TX No: 101889



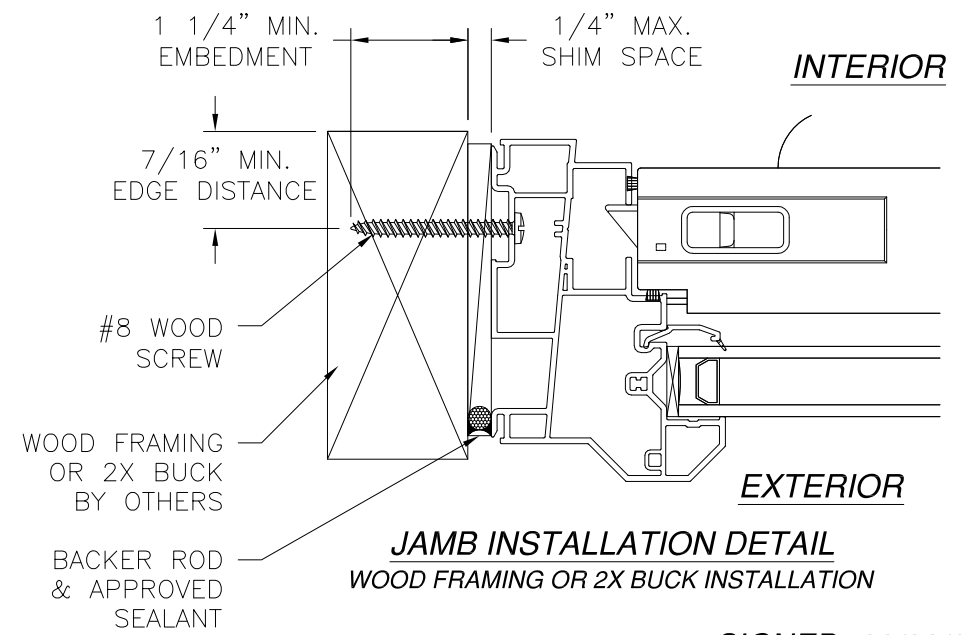
**VERTICAL CROSS SECTION**  
WOOD FRAMING OR 2X BUCK INSTALLATION



**VERTICAL CROSS SECTION**  
METAL STRUCTURE INSTALLATION



**JAMB INSTALLATION DETAIL**  
METAL STRUCTURE INSTALLATION



**JAMB INSTALLATION DETAIL**  
WOOD FRAMING OR 2X BUCK INSTALLATION

SIGNED: 03/03/2021

- NOTES:**
1. INTERIOR AND EXTERIOR FINISHES, BY OTHERS, NOT SHOWN FOR CLARITY.
  2. PERIMETER AND JOINT SEALANT BY OTHERS TO BE DESIGNED IN ACCORDANCE WITH ASTM E2112

**PRO WINDOW & DOOR, INC.**  
6500 FORBING RD. #100  
LITTLE ROCK, AR 72209

---

WINDGATE/BELMONT PVC SINGLE HUNG WINDOW  
44" X 72" NON-IMPACT  
INSTALLATION DETAILS

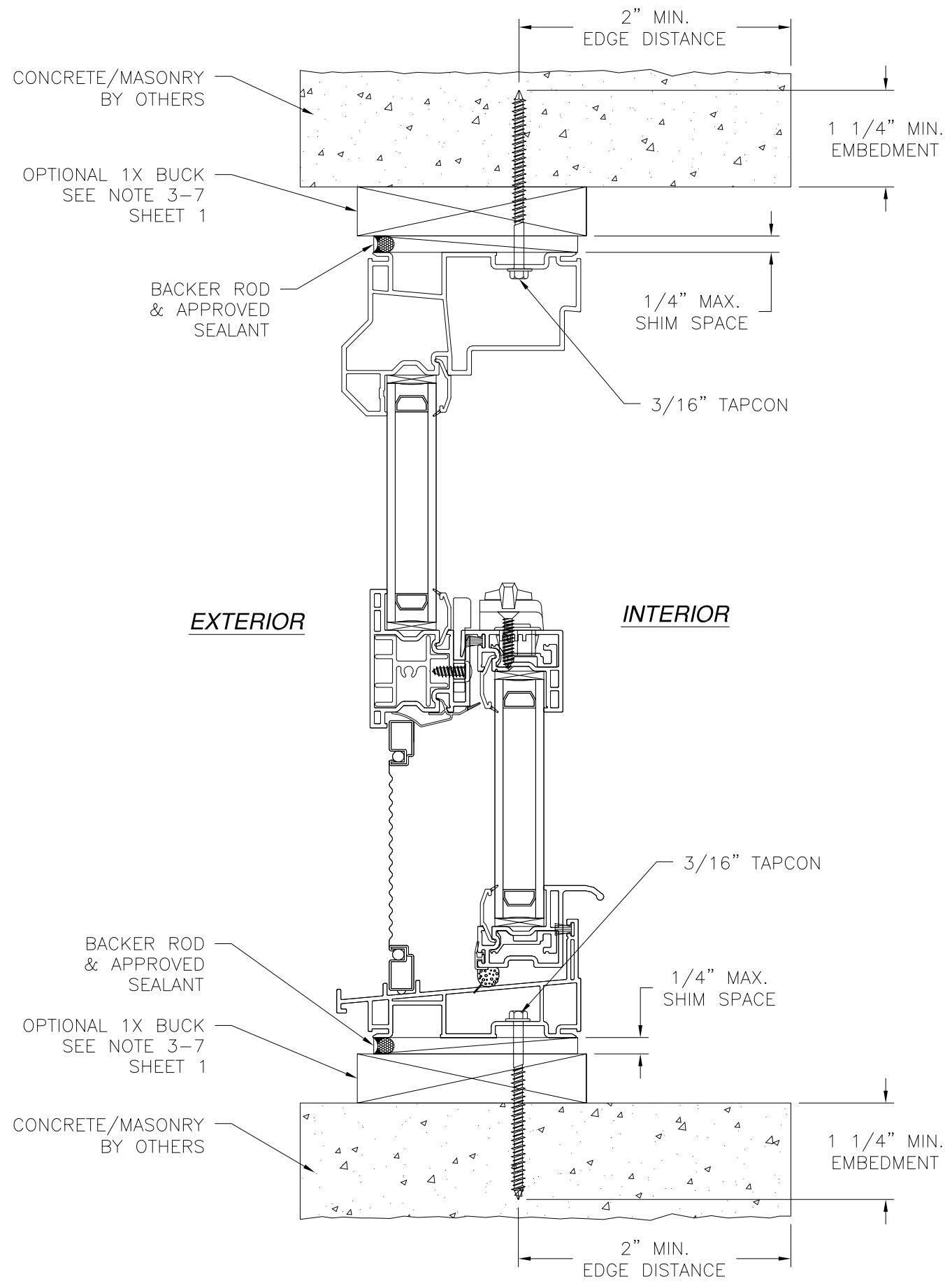
DRAWN: A.R.	DWG NO. 08-03541	REV -
SCALE NTS	DATE 03/17/2020	SHEET 3 OF 6

L. ROBERTO LOMAS P.E.  
1432 WOODFORD RD LEWISVILLE, NC 27023  
434-688-0609 rllomas@rlomaspe.com

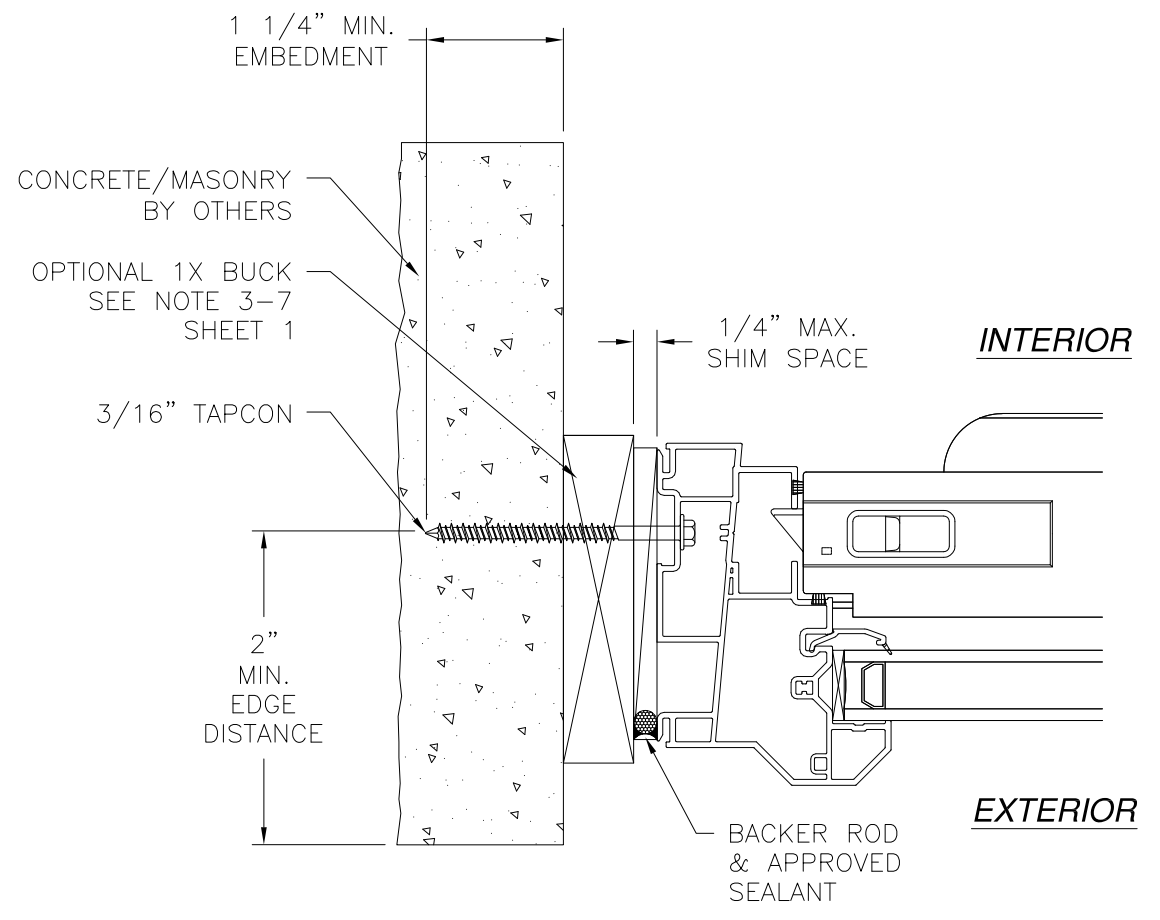


Luis R. Lomas P.E.  
TX No: 101889

REVISIONS			
REV	DESCRIPTION	DATE	APPROVED



**VERTICAL CROSS SECTION  
CONCRETE/MASONRY INSTALLATION**



**JAMB INSTALLATION DETAIL  
CONCRETE/MASONRY INSTALLATION**

- NOTES:**
1. INTERIOR AND EXTERIOR FINISHES, BY OTHERS, NOT SHOWN FOR CLARITY.
  2. PERIMETER AND JOINT SEALANT BY OTHERS TO BE DESIGNED IN ACCORDANCE WITH ASTM E2112

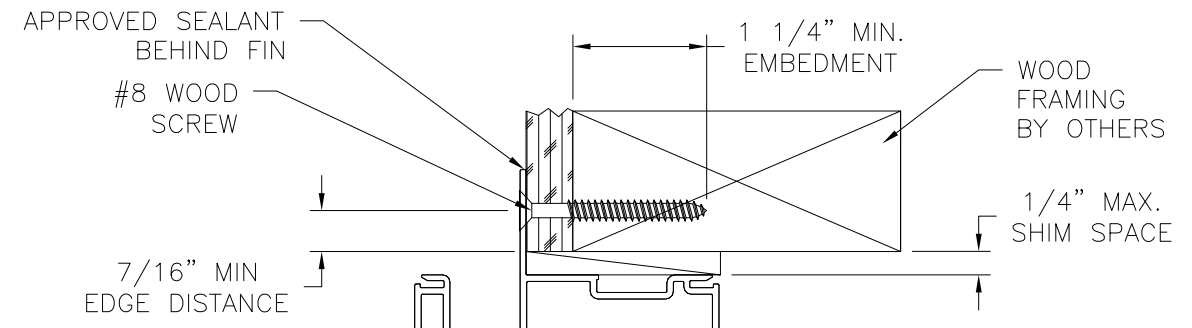
SIGNED: 03/03/2021

PRO WINDOW & DOOR, INC. 6500 FORBING RD. #100 LITTLE ROCK, AR 72209		
WINDGATE/BELMONT PVC SINGLE HUNG WINDOW 44" X 72" NON-IMPACT INSTALLATION DETAILS		
DRAWN: A.R.	DWG NO. 08-03541	REV -
SCALE NTS	DATE 03/17/2020	SHEET 4 OF 6
L. ROBERTO LOMAS P.E. 1432 WOODFORD RD LEWISVILLE, NC 27023 434-688-0609 rllomas@rlomaspe.com		

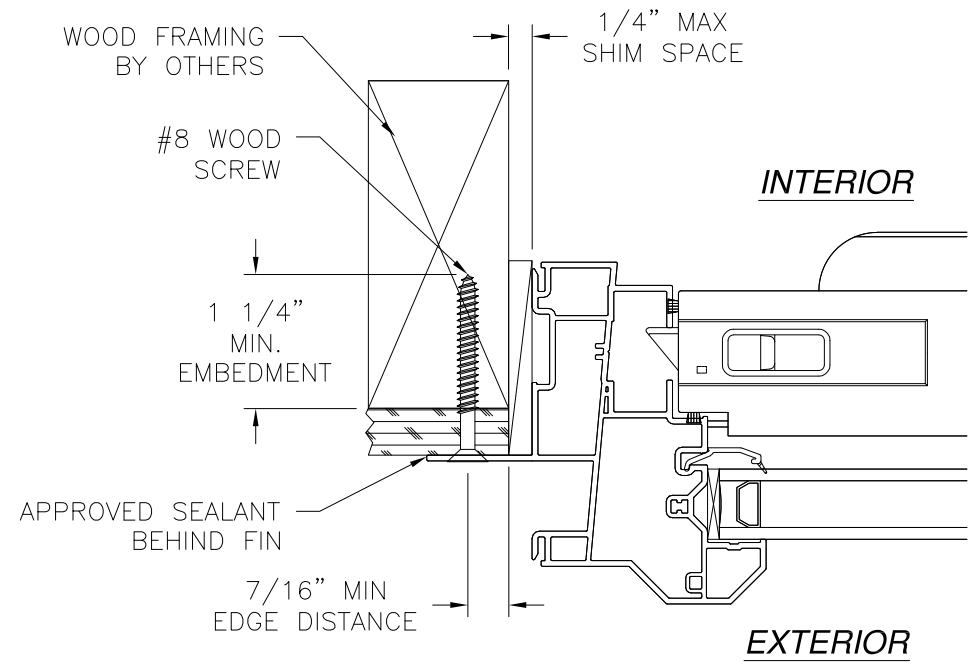


Luis R. Lomas P.E.  
TX No: 101889

REVISIONS			
REV	DESCRIPTION	DATE	APPROVED



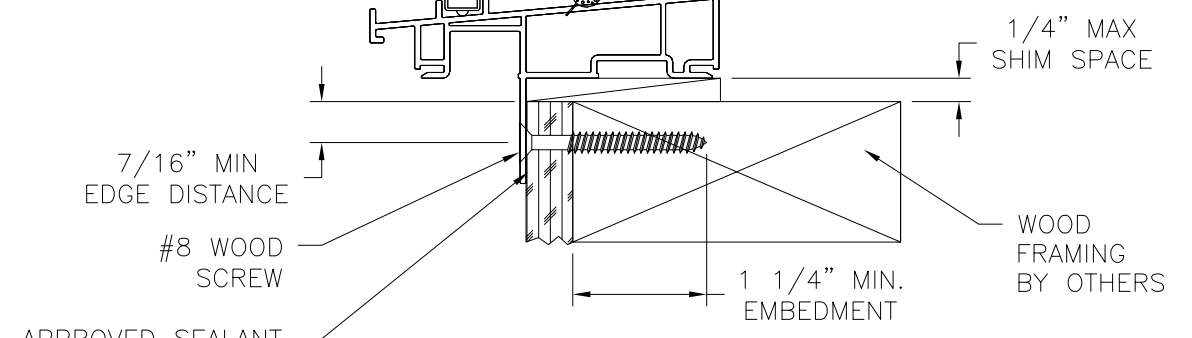
EXTERIOR INTERIOR



**JAMB INSTALLATION DETAIL**  
WOOD FRAMING OR 2X BUCK INSTALLATION

- NOTES:**
1. INTERIOR AND EXTERIOR FINISHES, BY OTHERS, NOT SHOWN FOR CLARITY.
  2. PERIMETER AND JOINT SEALANT BY OTHERS TO BE DESIGNED IN ACCORDANCE WITH ASTM E2112

SIGNED: 03/03/2021



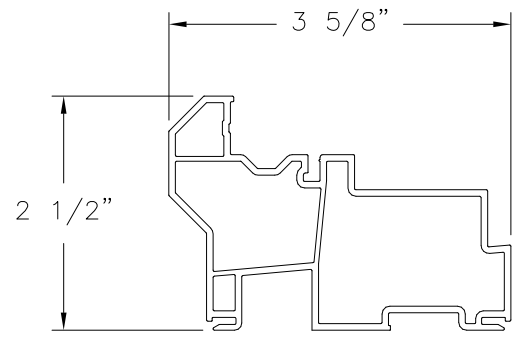
**VERTICAL CROSS SECTION**  
WOOD FRAMING OR 2X BUCK INSTALLATION

<b>PRO WINDOW &amp; DOOR, INC.</b> 6500 FORBING RD. #100 LITTLE ROCK, AR 72209		
WINDGATE/BELMONT PVC SINGLE HUNG WINDOW 44" X 72" NON-IMPACT FIN INSTALLATION DETAILS		
DRAWN: A.R.	DWG NO. 08-03541	REV -
SCALE NTS	DATE 03/17/2020	SHEET 5 OF 6
L. ROBERTO LOMAS P.E. 1432 WOODFORD RD LEWISVILLE, NC 27023 434-688-0609 rllomas@lrlomaspe.com		

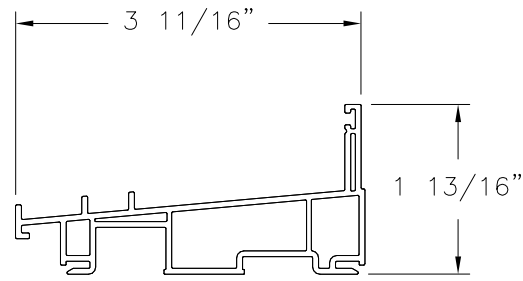


Luis R. Lomas P.E.  
TX No: 101889

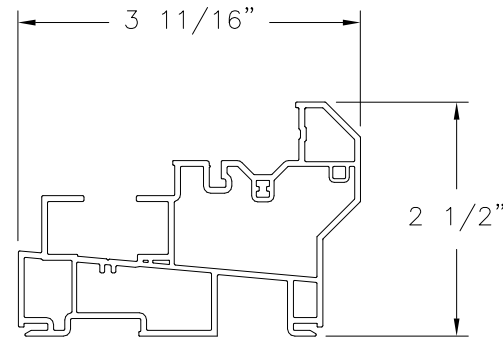
REVISIONS			
REV	DESCRIPTION	DATE	APPROVED



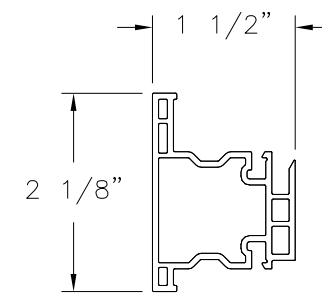
**HEAD FRAME**  
VINYL PVC (10008676)



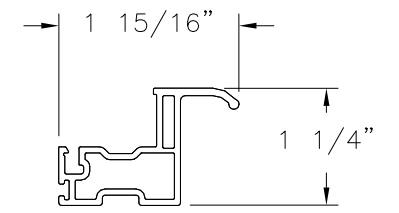
**SILL FRAME**  
VINYL PVC (10008672)



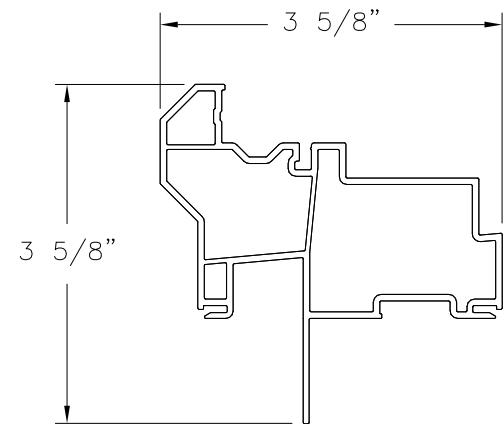
**JAMB FRAME**  
VINYL PVC (10008675)



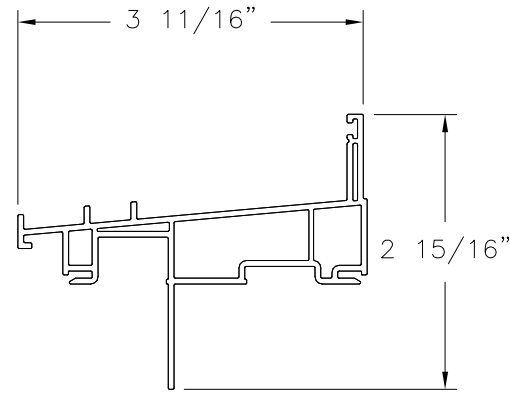
**FIXED MEETING RAIL**  
VINYL PVC (10008511)



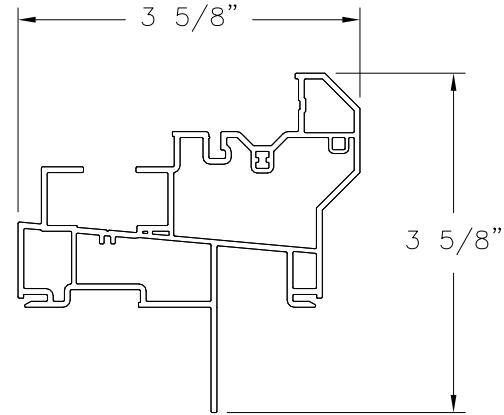
**LIFT RAIL**  
VINYL PVC (10008882)



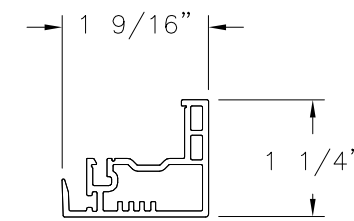
**HEAD FRAME  
FIN INSTALLATION**  
VINYL PVC (10008676)



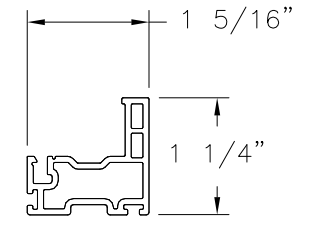
**SILL FRAME  
FIN INSTALLATION**  
VINYL PVC (10008672)



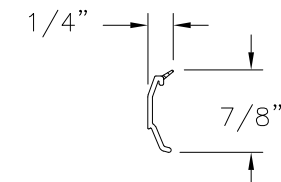
**JAMB FRAME  
FIN INSTALLATION**  
VINYL PVC (10008675)



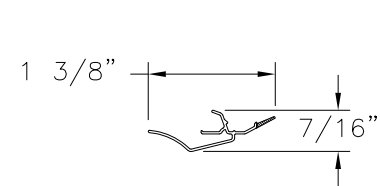
**LOCK RAIL**  
VINYL PVC (10008895)



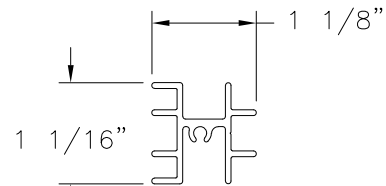
**STILE**  
VINYL PVC (10008875)



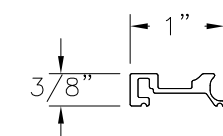
**GLAZING BEAD**  
VINYL PVC (10005473)



**BALANCE COVER**  
VINYL PVC (10005104)



**FIXED MEETING RAIL  
REINFORCEMENT**  
ALUMINUM (A6189)



**SASH  
REINFORCEMENT**  
ALUMINUM 6005-T5 (10300082)

SIGNED: 03/03/2021

PRO WINDOW & DOOR, INC.  
6500 FORBING RD. #100  
LITTLE ROCK, AR 72209

WINDGATE/BELMONT PVC SINGLE HUNG WINDOW  
44" X 72" NON-IMPACT  
COMPONENTS

DRAWN: A.R.	DWG NO. 08-03541	REV -
SCALE NTS	DATE 03/17/2020	SHEET 6 OF 6

L. ROBERTO LOMAS P.E.  
1432 WOODFORD RD LEWISVILLE, NC 27023  
434-688-0609 rllomas@lrlomaspe.com



Luis R. Lomas P.E.  
TX No: 101889