



9400 Single Hung Window w/ Nailing Fin "NON-IMPACT"

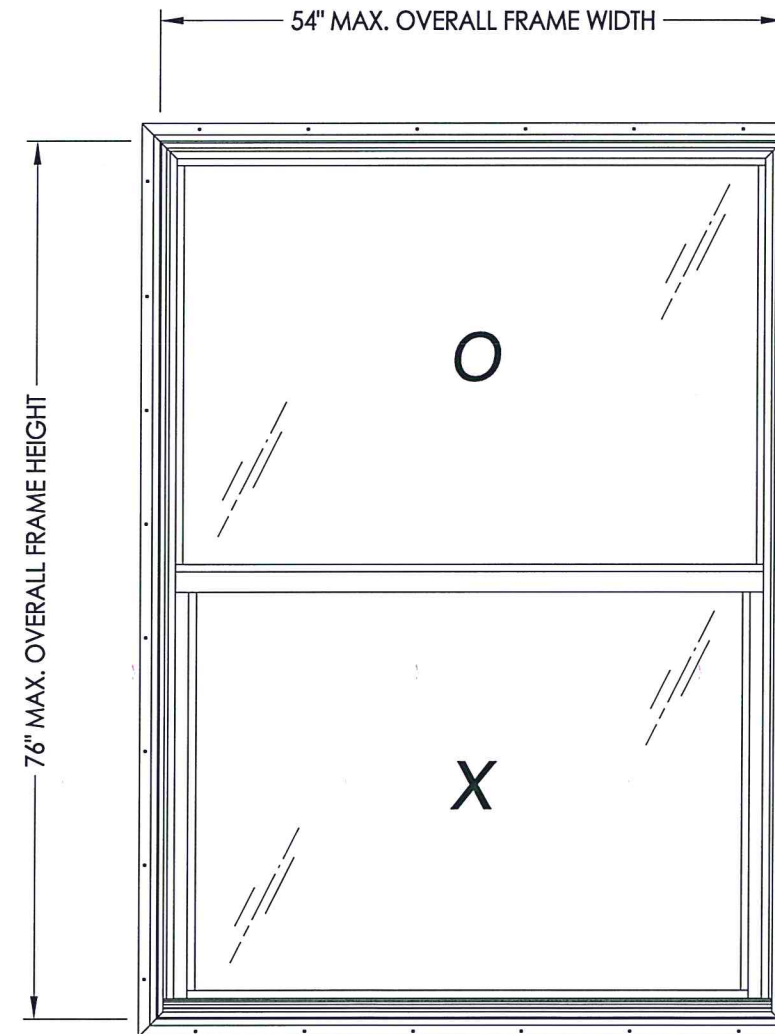
EVALUATED FOR USE IN THE STATE OF TEXAS

The Single Hung Window described herein complies with the 2018 International Residential Code (IRC), Sections R301 & R609 and the 2018 International Building Code (IBC), Sections 1404.13, 1609, 1709.5, 2403 and 2404 subject to the following conditions:

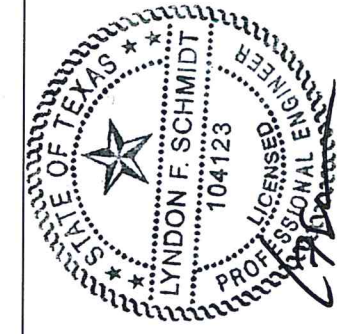
1. Anchors shall be as listed and spaced as shown in the details. Anchor embedment to base material shall be beyond wall dressing or stucco.
2. When used in areas requiring wind-borne debris protection this product is required to be protected with an impact resistant covering that complies with Section R301.2.1.2 of the IRC and Section 1609.1.2 of the IBC.
3. Allowable design pressure requirements must be equal to or less than the design pressure rating shown in the design pressure chart, sheet 1 of this drawing.
4. Conditions not covered by this drawing are subject to further engineering analysis.

TABLE OF CONTENTS

SHEET#	DESCRIPTION
1	Typical elevations, design pressures & general notes
2	Vertical & horizontal cross sections & frame anchoring
3	Components
4	Bill of materials and glazing details



MAX. OVERALL FRAME DIMENSION	MAX DAY LITE DIMENSION (OPERABLE)	MAX DAY LITE DIMENSION (FIXED)	GLASS TYPE	DESIGN PRESSURE (PSF)	
				POS.	NEG.
54.0" X 76.0"	47.25" x 34.44"	49.75" x 34.44"	G1	+50.0	-50.0
36.0" X 72.0"	29.25" x 32.44"	31.75" x 32.44"	G1	+65.0	-75.0



Documents Prepared By: Lyndon F. Schmidt, P.E.
TEXAS P.E. #104123

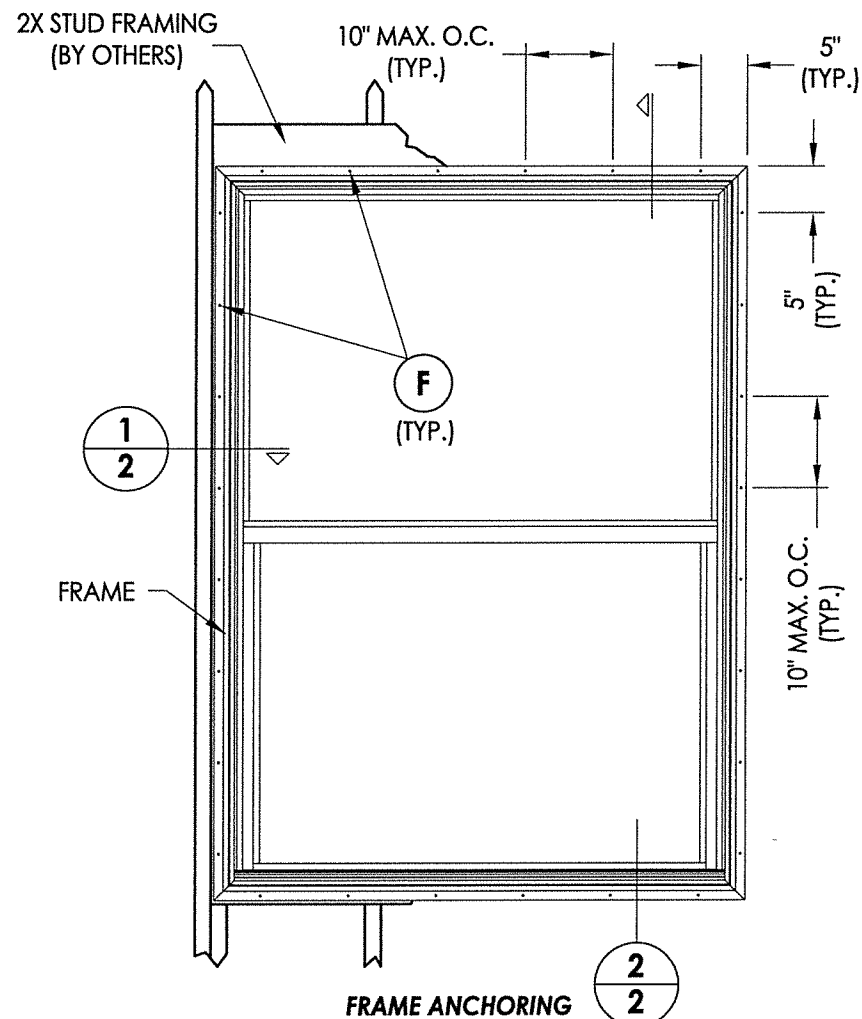
RW BUILDING CONSULTANTS, INC.
P.O. Box 230 Valrico FL 33595
Phone No.: 813.659.9197
TEXAS BOARD OF PROFESSIONAL ENGINEERS
CERTIFICATE OF REGISTRATION # F-11852

PRODUCT: SINGLE HUNG WINDOW
PART OR ASSEMBLY: TYPICAL ELEVATION, DESIGN PRESSURES & GENERAL NOTES

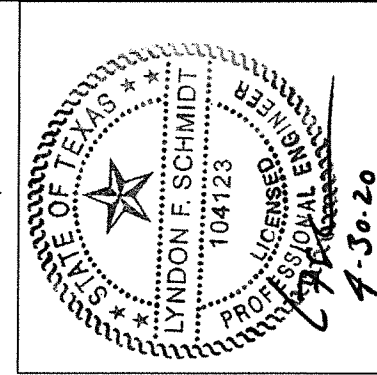
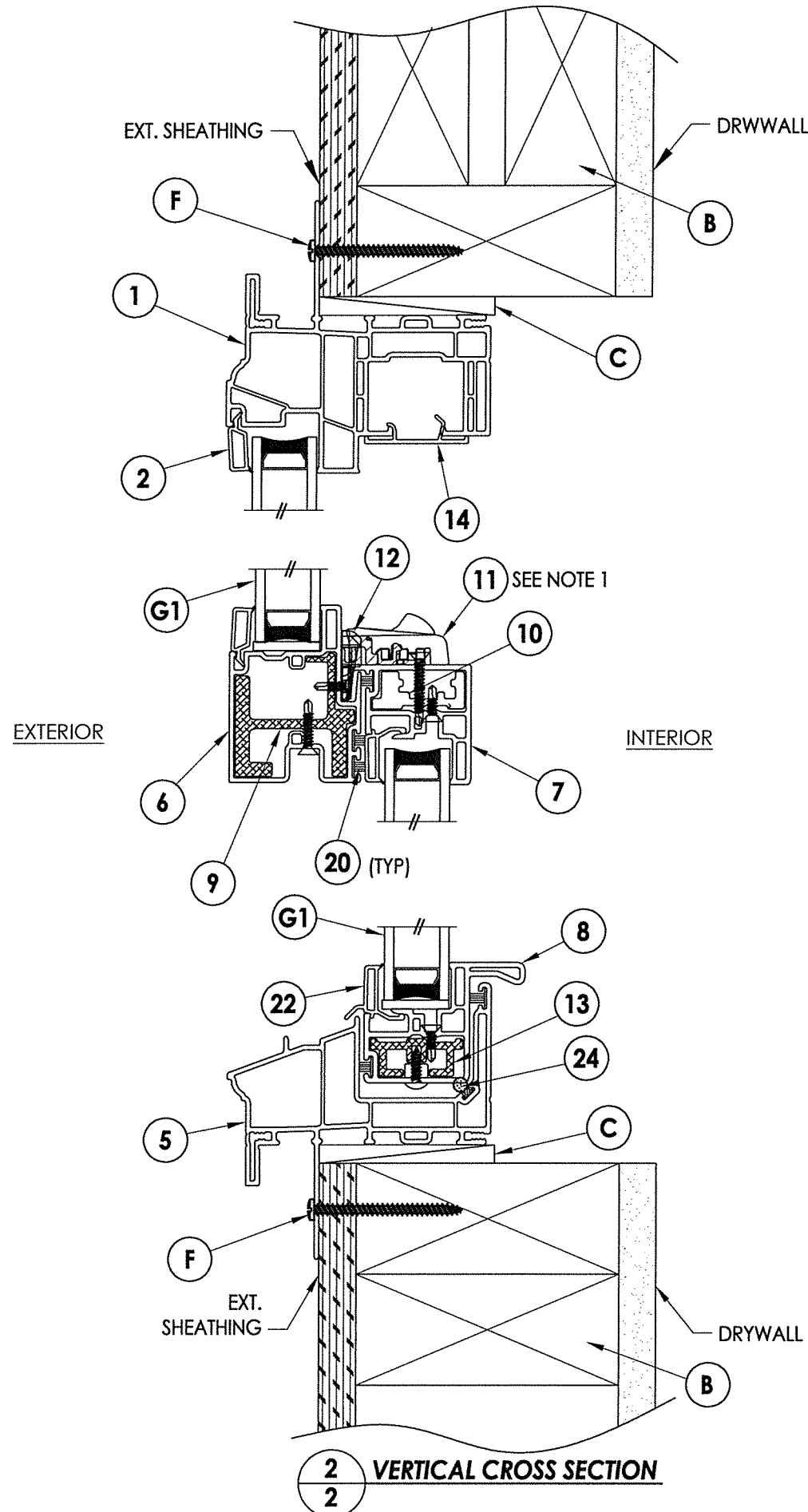
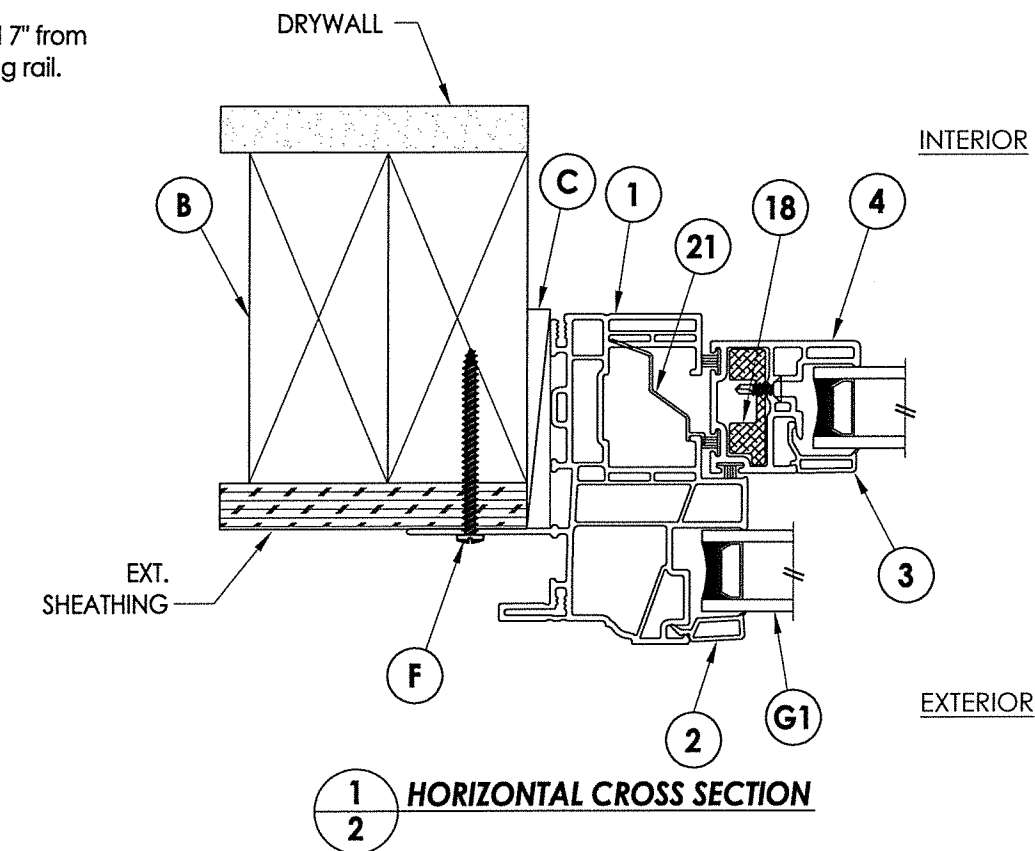
NO.	DATE	BY	REVISIONS

DATE: 3/12/20
SCALE: N.T.S.
DWG. BY: RW
CHK. BY: LFS
DRAWING NO.: TX-4999
SHEET 1 OF 4

R:\Clients\New South Windows PERMANENT\B - Texas Dept of Ins\TDI - XXX 9400 SH\Drawings\TX-4999.dwg .2



NOTE:
1. Lock and keeper located 7" from each end of lock/meeting rail.



Documents Prepared By: Lyndon F. Schmidt, P.E.
TEXAS P.E. #104123

RW BUILDING CONSULTANTS, INC.
P.O. Box 230 Vairico FL, 33595
Phone No.: 813.659.9197
TEXAS BOARD OF PROFESSIONAL ENGINEERS
CERTIFICATE OF REGISTRATION # F-11852

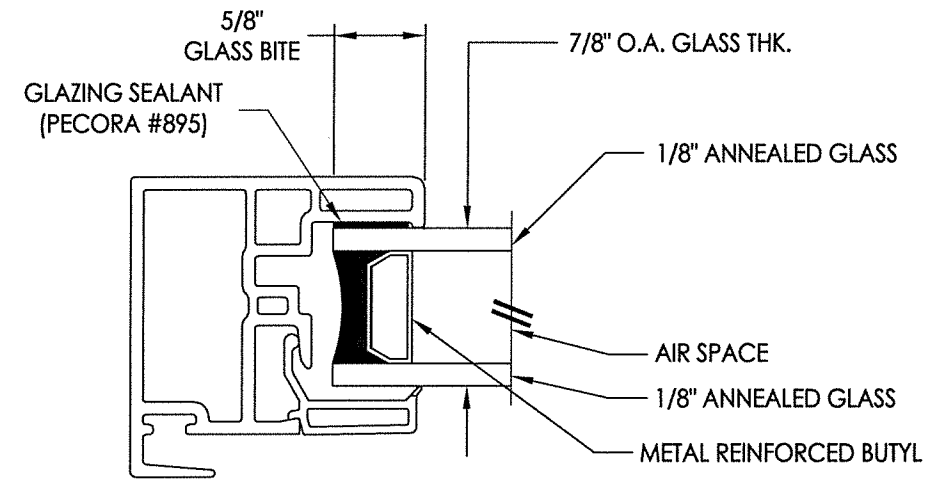
PRODUCT: SINGLE HUNG WINDOW	
PART OR ASSEMBLY: VERTICAL & HORIZONTAL CROSS SECTIONS & FRAME ANCHORING	
NO.	DATE
BY	REVISIONS
DATE: 3/12/20	
SCALE: N.T.S.	
DWG. BY: RW	
CHK. BY: LFS	
DRAWING NO.: TX-4999	
SHEET 2 OF 4	

© 2020 R.W. BUILDING CONSULTANTS INC.

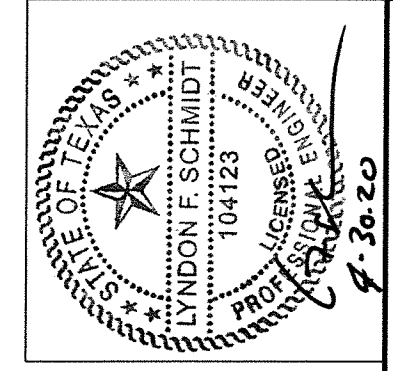
BILL OF MATERIALS

ITEM #	DESCRIPTION	MATERIAL
B	2X FRAMING (SG >= 0.42)	WOOD
C	1/4" MAX. SHIM SPACE	-
F	#6 X 2" PPH SMS (1-1/4" MIN. EMBEDMENT)	STEEL
1	EXTRUDED VINYL FRAME (455)*	RIGID PVC
2	EXTRUDED VINYL GLAZING BEAD (736A)*	RIGID PVC
3	EXTRUDED VINYL GLAZING BEAD (425A)*	RIGID PVC
4	SILL (459)*	RIGID PVC
5	STILE (438)*	RIGID PVC
6	MEETING RAIL (477)*	RIGID PVC
7	LOCK RAIL (476)*	RIGID PVC
8	BOTTOM RAIL (485B)*	RIGID PVC
9	MEETING RAIL REINFORCEMENT	6063 - T5 ALUM
10	LOCK RAIL REINFORCEMENT	6063 - T5 ALUM
11	SASH LOCK	-
12	KEEPER	-
13	BOTTOM RAIL REINFORCEMENT	6063 - T5 ALUM
14	HEAD ADAPTER (473)*	RIGID PVC
18	STILE REINFORCEMENT	6063 - T5 ALUM
20	WEATHERSTRIP	-
21	BALANCE COVER (468)	RIGID PVC
22	EXTRUDED VINYL GLAZING BEAD W/ DRIP EDGE (467)*	RIGID PVC
24	BULB GASKET (AMESBURY)	FOAM

* THE APPROVED WHITE RIGID PVC EXTERIOR EXTRUSIONS FOR WINDOWS ARE TO BE PRODUCED BY EXTRUDERS LICENSEES IN "CERTIFICATION PROGRAMS FOR RIGID PVC EXTRUSIONS".



G1 GLAZING DETAIL



Documents Prepared By: Lyndon F. Schmidt, P.E.
TEXAS P.E. #104123

RW BUILDING CONSULTANTS, INC.
P.O. Box 230 Vairico FL 33595
Phone No.: 813.659.9197

TEXAS BOARD OF PROFESSIONAL ENGINEERS
CERTIFICATE OF REGISTRATION # F-11852

PRODUCT: SINGLE HUNG WINDOW

PART OR ASSEMBLY: BILL OF MATERIALS AND GLAZING DETAILS

NO.	DATE	BY	REVISIONS

DATE: 3/12/20

SCALE: N.T.S.

DWG. BY: RW

CHK. BY: LFS

DRAWING NO.: TX-4999

SHEET 4 OF 4