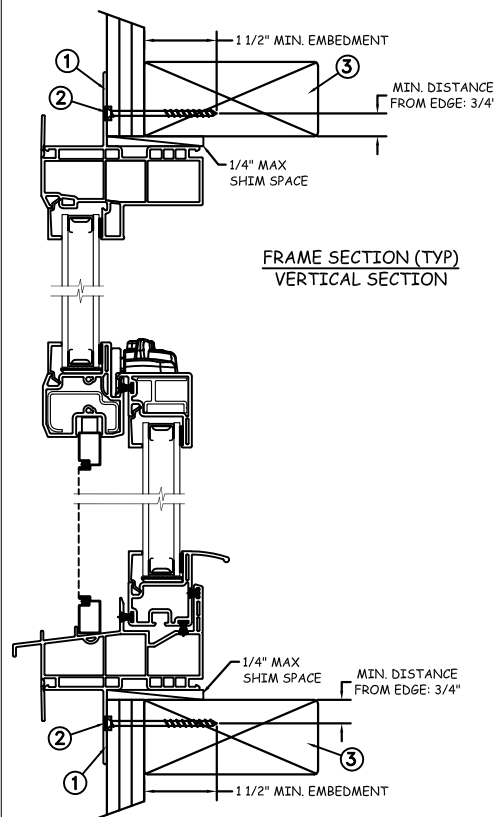
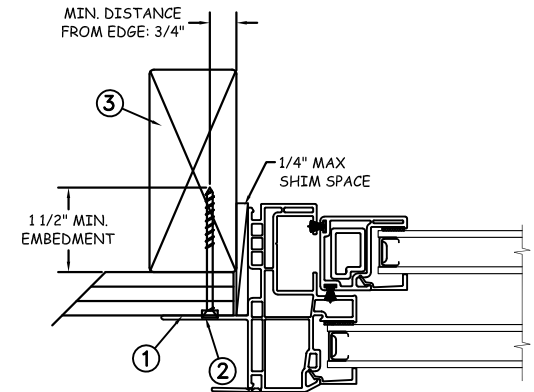


TYPICAL ELEVATION WITH FASTENER SPACING



NAIL FIN INSTALLATION



Max Frame	DP RATING	IMPACT
48 x 96	+35/-40	NO

Installation Notes:

1. Seal flange/frame to substrate. Sill shall be set on a continuous serpentine bead of structural grade silicone caulk when no fastener is used to anchor the sill (typical).
2. Use #8 PH or greater fastener through the nail fin with sufficient length to penetrate a minimum of 1 1/2" into the wood framing. For two (2X) wood frame substrate (min. S.G. = 0.42).
3. Host structure (wood buck, masonry, steel) to be designed and anchored to properly transfer all loads to the structure. The host structure is the responsibility of the architect or engineer of record for the project of installation.

General Notes:

1. The product shown herein is designed, tested and manufactured to comply with the wind load criteria of the 2018 International Residential Code (IRC), the 2018 International Building Code (IBC).
2. All glazing shall conform to ASTM E1300.
3. At minimum, glazing shall be double strength insulated glass.
4. Use structural or composite shims where required.

This schedule addresses only the fasteners required to anchor the window to achieve the rated design pressure up to the size limitations noted. It is not intended as a guide to the installation process and does not address the sealing consideration that may arise in different wall conditions. For the complete installation procedure, see the instructions packaged with the window or go to www.jeld-wen.com/resources/installation.

DISCLAIMER:

This drawing and its contents are confidential and are not to be reproduced or copied in whole or in part or used or disclosed to others except as authorized by JELD-WEN Inc.



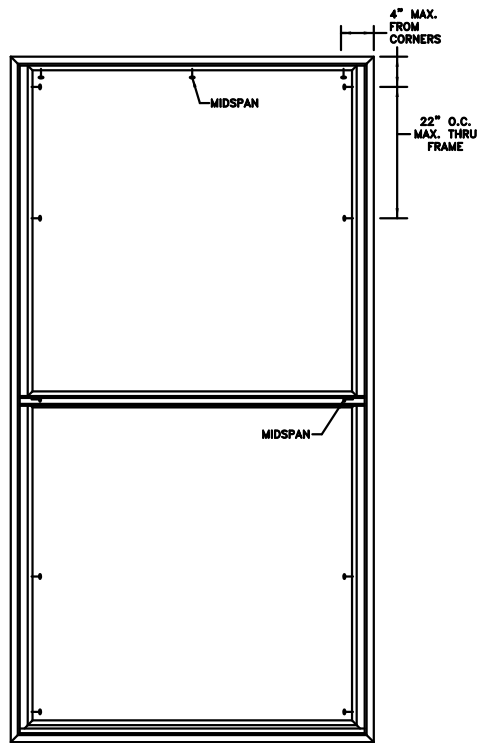
Joseph A. Reed

2021.07.12 15:50:28 -04'00'

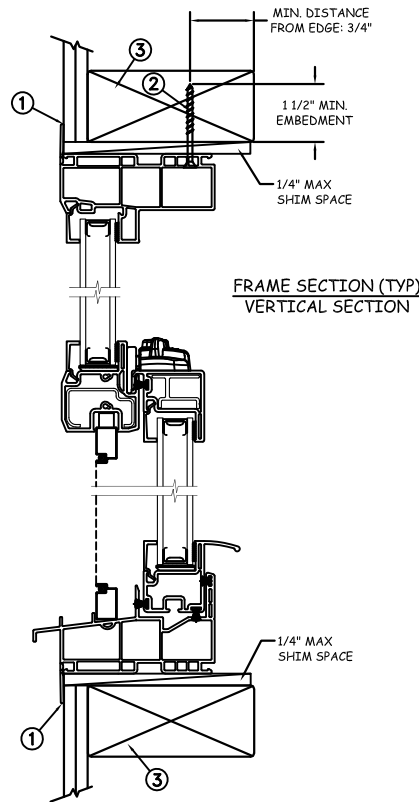
JOSEPH A. REED, P.E.

Texas No. 100777
5 LEIGH DRIVE
YORK, PA. 17406
(717) 846-1200

DATE: 04/27/2021		3737 Lakeport Blvd Klamath Falls, OR. 97601 Phone: (800) 535-3936	
DRAWN BY: M.HAM		SCALE: NTS	
CHECKED BY: J.GOOSSEN	<p>Premium Vinyl Tilt Single Hung</p>		
APPROVED BY: J.GOOSSEN			
RECORD No: D014483			
REPORT No: NCTL-110-16-144	CAD DWG. No.: PremVinylTSH Cert	REV: A	SHEET 1 OF 4

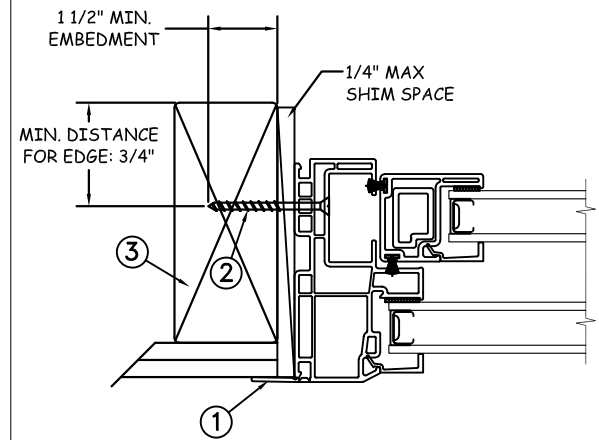


TYPICAL ELEVATION WITH FASTENER SPACING



FRAME SECTION (TYP)
VERTICAL SECTION

THROUGH FRAME
INSTALLATION



JAMB SECTION (TYP)
HORIZONTAL SECTION

Max Frame	DP RATING	IMPACT
48 x 96	+35/-40	NO

Installation Notes:

1. Seal flange/frame to substrate. Sill shall be set on a continuous serpentine bead of structural grade silicone caulk when no fastener is used to anchor the sill (typical).
2. Use #8 PH or greater fastener through the frame with sufficient length to penetrate a minimum of 1 1/2" into the wood framing. For two (2X) wood frame substrate (min. S.G. = 0.42).
3. Host structure (wood buck, masonry, steel) to be designed and anchored to properly transfer all loads to the structure. The host structure is the responsibility of the architect or engineer of record for the project of installation.

General Notes:

1. The product shown herein is designed, tested and manufactured to comply with the wind load criteria of the 2018 International Residential Code (IRC), the 2018 International Building Code (IBC).
2. All glazing shall conform to ASTM E1300.
3. At minimum, glazing shall be double strength insulated glass.
4. Use structural or composite shims where required.

This schedule addresses only the fasteners required to anchor the window to achieve the rated design pressure up to the size limitations noted. It is not intended as a guide to the installation process and does not address the sealing consideration that may arise in different wall conditions. For the complete installation procedure, see the instructions packaged with the window or go to www.jeld-wen.com/resources/installation.

DISCLAIMER:

This drawing and its contents are confidential and are not to be reproduced or copied in whole or in part or used or disclosed to others except as authorized by JELD-WEN Inc.



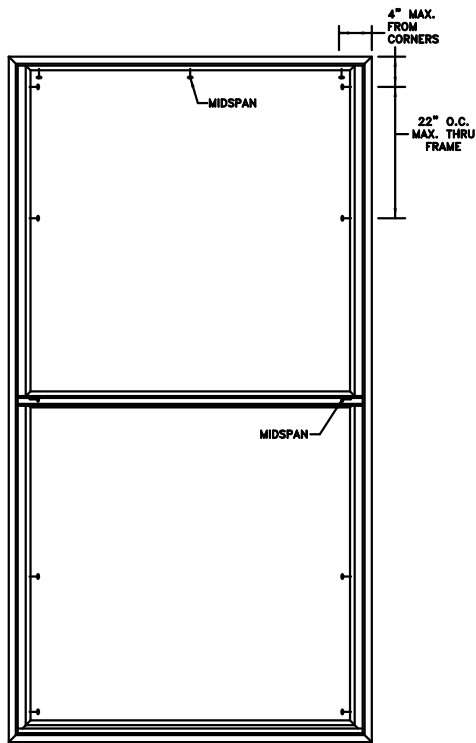
Joseph A. Reed

2021.07.12 15:50:28 -04'00'

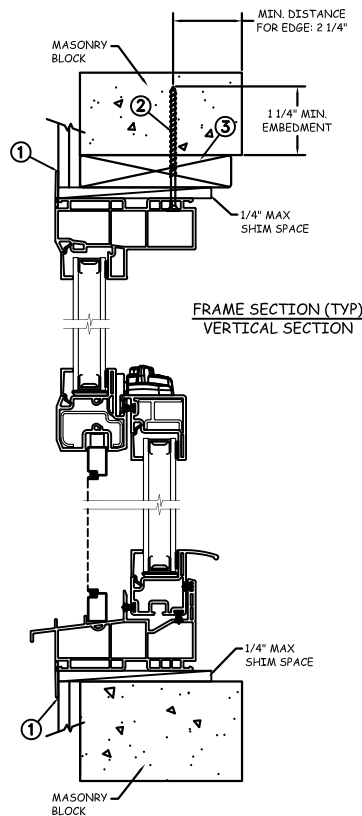
JOSEPH A. REED, P.E.

Texas No. 100777
5 LEIGH DRIVE
YORK, PA. 17406
(717) 846-1200

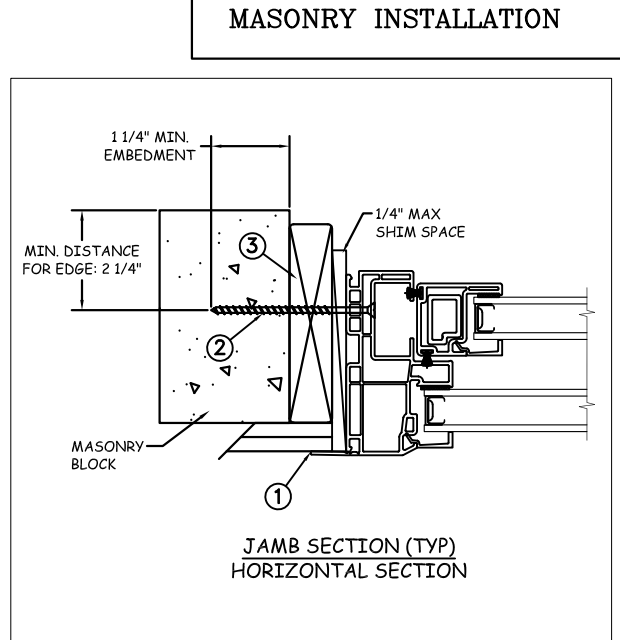
DATE: 04/27/2021	JELD WEN 3737 Lakeport Blvd Klamath Falls, OR. 97601 Phone: (800) 535-3936
DRAWN BY: M.HAM	
CHECKED BY: J.GOOSEN	TITLE: Premium Vinyl Tilt Single Hung
APPROVED BY: J.GOOSEN	
RECORD No: D014483	
REPORT No: NCTL-110-16-144	CAD DWG. No.: PremVinylTSH Cert
	REV: A
	SHEET 2 OF 4



TYPICAL ELEVATION WITH FASTENER SPACING



FRAME SECTION (TYP)
VERTICAL SECTION



JAMB SECTION (TYP)
HORIZONTAL SECTION

MASONRY INSTALLATION

Max Frame	DP RATING	IMPACT
48 x 96	+35/-40	NO

Installation Notes:

1. Seal flange/frame to substrate. Sill shall be set on a continuous serpentine bead of structural grade silicone caulk when no fastener is used to anchor the sill (typical).
2. Use 3/16" Tapcon or equivalent fastener through frame with sufficient length to penetrate a minimum of 1 1/4" into concrete (min. f'c = 3000 psi) or masonry (per ASTM = C-90).
3. Host structure (wood buck, masonry, steel) to be designed and anchored to properly transfer all loads to the structure. The host structure is the responsibility of the architect or engineer of record for the project of installation.

General Notes:

1. The product shown herein is designed, tested and manufactured to comply with the wind load criteria of the 2018 International Residential Code (IRC), the 2018 International Building Code (IBC).
2. All glazing shall conform to ASTM E1300.
3. At minimum, glazing shall be double strength insulated glass.
4. Use structural or composite shims where required.

This schedule addresses only the fasteners required to anchor the window to achieve the rated design pressure up to the size limitations noted. It is not intended as a guide to the installation process and does not address the sealing consideration that may arise in different wall conditions. For the complete installation procedure, see the instructions packaged with the window or go to www.jeld-wen.com/resources/installation.

DISCLAIMER:

This drawing and its contents are confidential and are not to be reproduced or copied in whole or in part or used or disclosed to others except as authorized by JELD-WEN Inc.



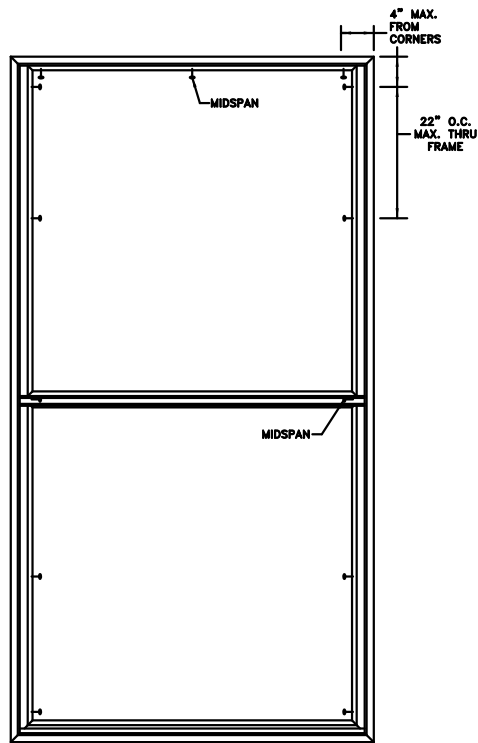
Joseph A. Reed

2021.07.12 15:50:28 -04'00'

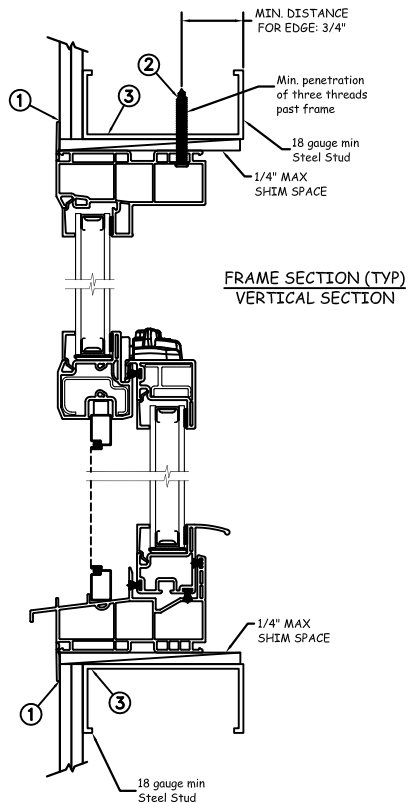
JOSEPH A. REED, P.E.

Texas No. 100777
5 LEIGH DRIVE
YORK, PA. 17406
(717) 846-1200

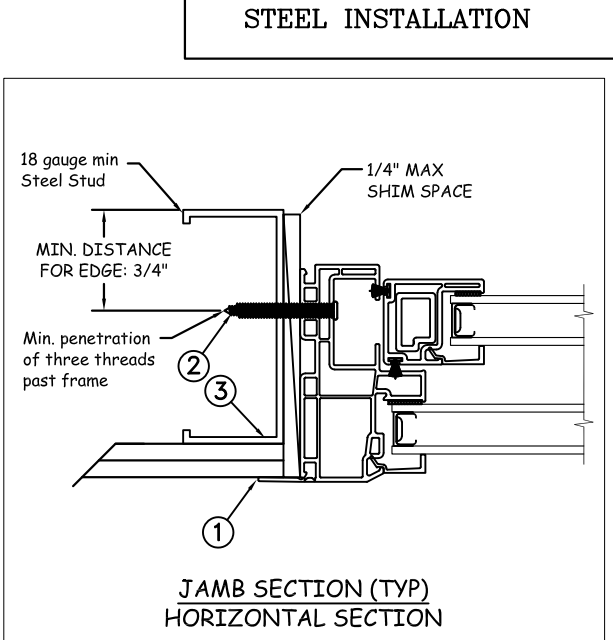
DATE: 04/27/2021	JELD WEN 3737 Lakeport Blvd Klamath Falls, OR. 97601 Phone: (800) 535-3936
DRAWN BY: M.HAM	
CHECKED BY: J.GOOSSEN	TITLE: Premium Vinyl Tilt Single Hung
APPROVED BY: J.GOOSSEN	
RECORD No: D014483	
REPORT No: NCTL-110-16-144	CAD DWG. No.: PremVinylTSH Cert
	REV: A
	SHEET 3 OF 4



TYPICAL ELEVATION WITH FASTENER SPACING



FRAME SECTION (TYP)
VERTICAL SECTION



JAMB SECTION (TYP)
HORIZONTAL SECTION

Max Frame	DP RATING	IMPACT
48 x 96	+35/-40	NO

Installation Notes:

1. Seal flange/frame to substrate. Sill shall be set on a continuous serpentine bead of structural grade silicone caulk when no fastener is used to anchor the sill (typical).
2. For anchoring into metal framing, use #10 TEK Self Tapping screws with sufficient length to achieve a minimum penetration of three threads past the frame thickness. Locate anchors as shown in elevations and installation details. Steel substrate min. 18ga., fy = 33 ksi.
3. Host structure (wood buck, masonry, steel) to be designed and anchored to properly transfer all loads to the structure. The host structure is the responsibility of the architect or engineer of record for the project of installation.

This schedule addresses only the fasteners required to anchor the window to achieve the rated design pressure up to the size limitations noted. It is not intended as a guide to the installation process and does not address the sealing consideration that may arise in different wall conditions. For the complete installation procedure, see the instructions packaged with the window or go to www.jeld-wen.com/resources/installation.

DISCLAIMER:

This drawing and its contents are confidential and are not to be reproduced or copied in whole or in part or used or disclosed to others except as authorized by JELD-WEN Inc.

General Notes:

1. The product shown herein is designed, tested and manufactured to comply with the wind load criteria of the 2018 International Residential Code (IRC), the 2018 International Building Code (IBC).
2. All glazing shall conform to ASTM E1300.
3. At minimum, glazing shall be double strength insulated glass.
4. Use structural or composite shims where required.



Joseph A. Reed

2021.07.12 15:50:28 -04'00'

JOSEPH A. REED, P.E.

Texas No. 100777
5 LEIGH DRIVE
YORK, PA. 17406
(717) 846-1200

DATE: 04/27/2021	JELD WEN 3737 Lakeport Blvd Klamath Falls, OR. 97601 Phone: (800) 535-3936
SCALE: NTS	
DRAWN BY: M.HAM	TITLE: Premium Vinyl Tilt Single Hung
CHECKED BY: J.GOOSSEN	
APPROVED BY: J.GOOSSEN	
RECORD No: D014483	
REPORT No: NCTL-110-16-144	CAD DWG. No.: PremVinylTSH Cert
	REV: A
	SHEET 4 OF 4