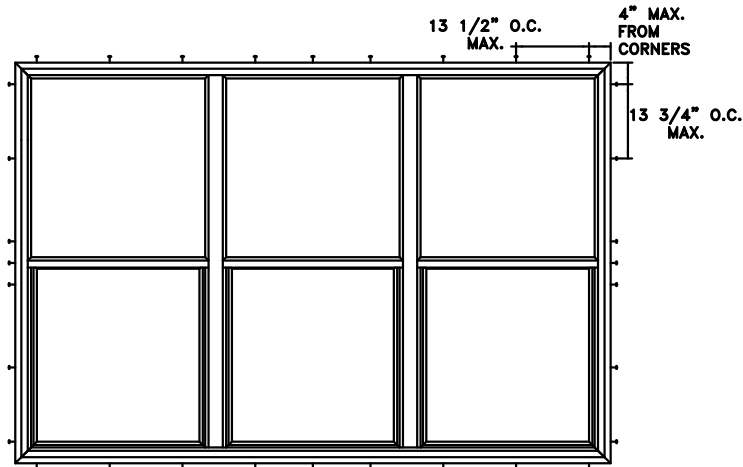
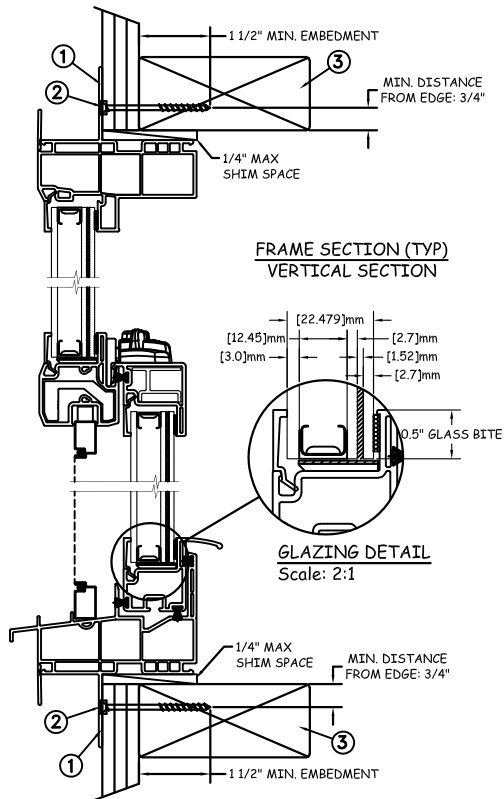


NAIL FIN INSTALLATION

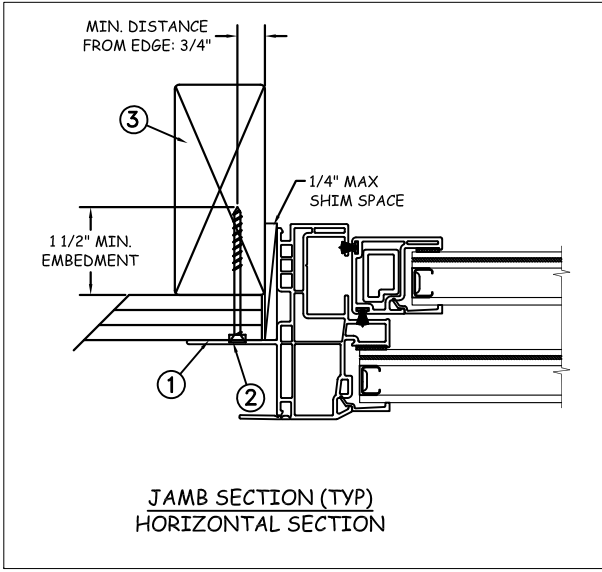


TYPICAL ELEVATION WITH FASTENER SPACING



FRAME SECTION (TYP)
VERTICAL SECTION

GLAZING DETAIL
Scale: 2:1



JAMB SECTION (TYP)
HORIZONTAL SECTION

Max Frame	DP RATING	IMPACT
108 x 72	+50/-55	YES

WINDZONE 2

Installation Notes:

1. Seal flange/frame to substrate. Sill shall be set on a continuous serpentine bead of structural grade silicone caulk when no fastener is used to anchor the sill (typical).
2. Use #8 PH or greater fastener through the nail fin with sufficient length to penetrate a minimum of 1 1/2" into the wood framing. For 2X wood frame substrate (min. S.G. = 0.42).
3. Host structure (wood buck, masonry, steel) to be designed and anchored to properly transfer all loads to the structure. The host structure is the responsibility of the architect or engineer of record for the project of installation.

General Notes:

1. The product shown herein is designed, tested and manufactured to comply with the wind load criteria of the 2018 International Residential Code (IRC), the 2018 International Building Code (IBC).
2. All glazing shall conform to ASTM E1300.
3. At minimum, glazing shall be 5.0mm annealed - 8.81mm airspace - 3.0mm annealed - 2.29mm PVB Interlayer by Kuraray - 3.0mm annealed insulating glass.
4. Use structural or composite shims where required.

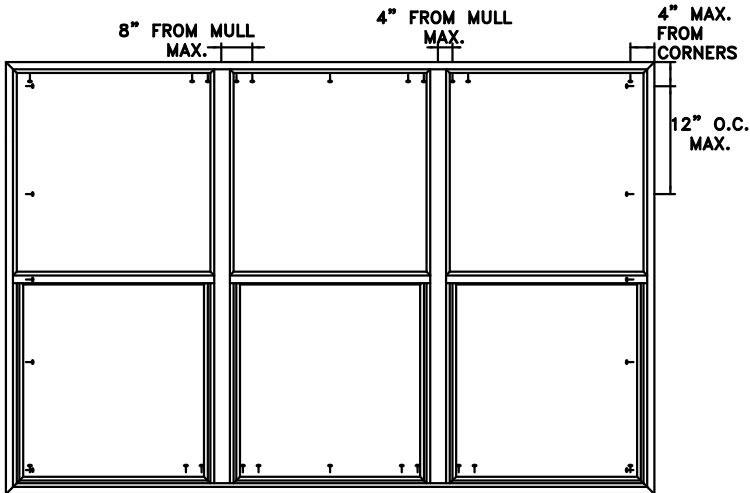
This schedule addresses only the fasteners required to anchor the window to achieve the rated design pressure up to the size limitations noted. It is not intended as a guide to the installation process and does not address the sealing consideration that may arise in different wall conditions. For the complete installation procedure, see the instructions packaged with the window or go to www.jeld-wen.com.

DISCLAIMER:
This drawing and its contents are confidential and are not to be reproduced or copied in whole or in part or used or disclosed to others except as authorized by JELD-WEN Inc.

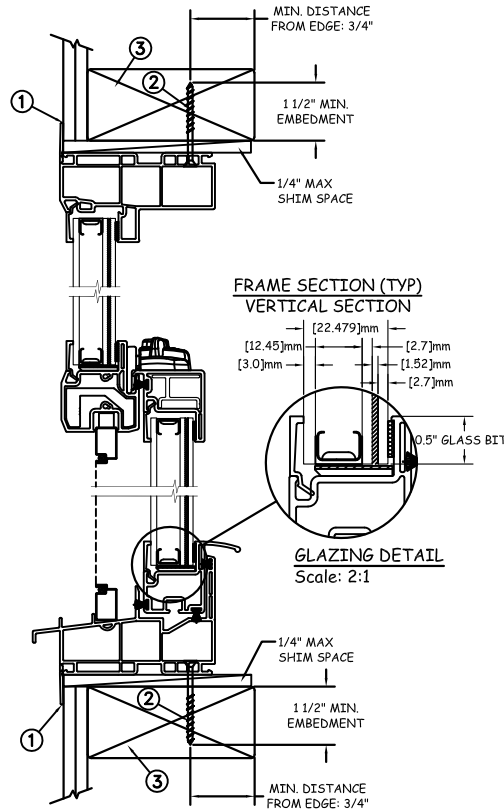


2021.05.14 08:17:18 -04'00'
JOSEPH A. REED, P.E.
Texas No. 100777
5 LEIGH DRIVE
YORK, PA. 17406
(717) 846-1200

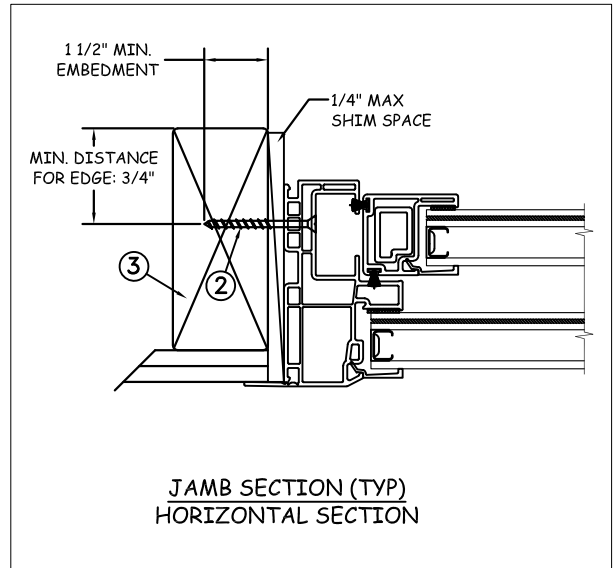
DATE: 05/04/2021	JELD-WEN 3737 Lakeport Blvd Klamath Falls, OR. 97601 Phone: (800) 535-3936		
SCALE: NTS			
DRAWN BY: M.HAM	TITLE: Premium Vinyl Tilt Single Hung XXX - Impact		
CHECKED BY: J.GOOSSEN			
APPROVED BY: J.GOOSSEN			
RECORD No: D014836			
REPORT No: 110-16-154	CAD DWG. No.:	REV: A	SHEET 1 OF 4



TYPICAL ELEVATION WITH FASTENER SPACING



THROUGH FRAME
INSTALLATION



JAMB SECTION (TYP)
HORIZONTAL SECTION

Max Frame	DP RATING	IMPACT
108 x 72	+50/-55	YES
WINDZONE 2		

Installation Notes:

1. Seal flange/frame to substrate. Sill shall be set on a continuous serpentine bead of structural grade silicone caulk when no fastener is used to anchor the sill (typical).
2. Use #8 PH or greater fastener through the frame with sufficient length to penetrate a minimum of 1 1/2" into the wood framing. For 2X wood frame substrate (min. S.G. = 0.42).
3. Host structure (wood buck, masonry, steel) to be designed and anchored to properly transfer all loads to the structure. The host structure is the responsibility of the architect or engineer of record for the project of installation.

This schedule addresses only the fasteners required to anchor the window to achieve the rated design pressure up to the size limitations noted. It is not intended as a guide to the installation process and does not address the sealing consideration that may arise in different wall conditions. For the complete installation procedure, see the instructions packaged with the window or go to www.jeld-wen.com.

DISCLAIMER:

This drawing and its contents are confidential and are not to be reproduced or copied in whole or in part or used or disclosed to others except as authorized by JELD-WEN Inc.

General Notes:

1. The product shown herein is designed, tested and manufactured to comply with the wind load criteria of the 2018 International Residential Code (IRC), the 2018 International Building Code (IBC).
2. All glazing shall conform to ASTM E1300.
3. At minimum, glazing shall be 5.0mm annealed - 8.81mm airspace - 3.0mm annealed - 2.29mm PVB Interlayer by Kuraray - 3.0mm annealed insulating glass.
4. Use structural or composite shims where required.



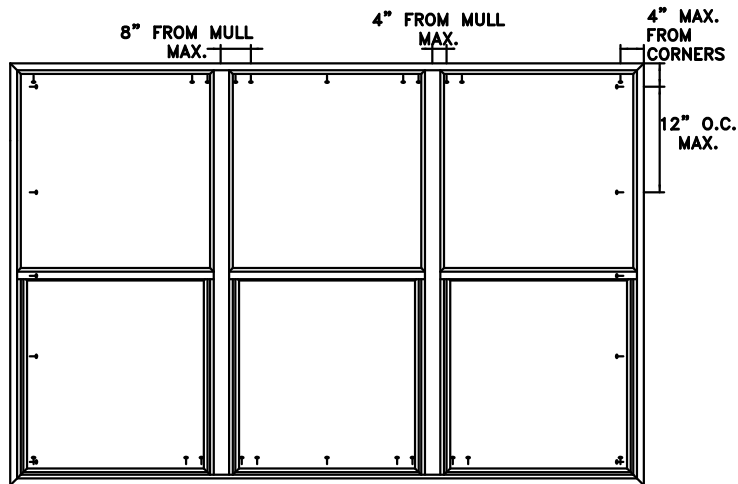
Joseph A. Reed

2021.05.14 08:17:18 -04'00'

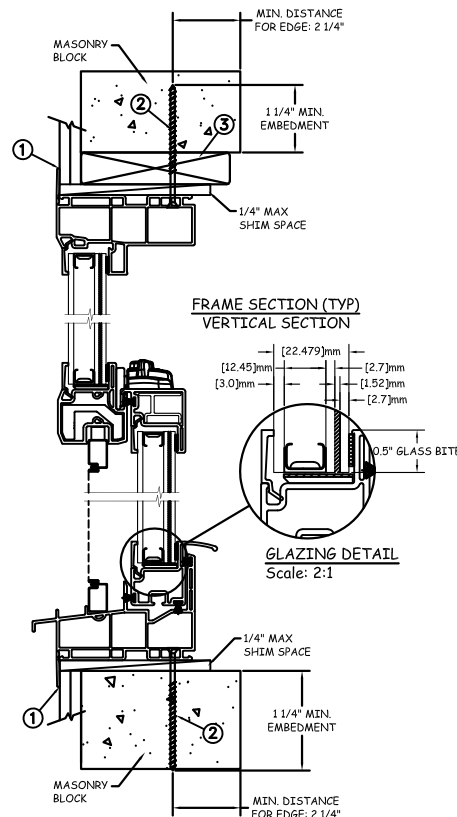
JOSEPH A. REED, P.E.

Texas No. 100777
5 LEIGH DRIVE
YORK, PA. 17406
(717) 846-1200

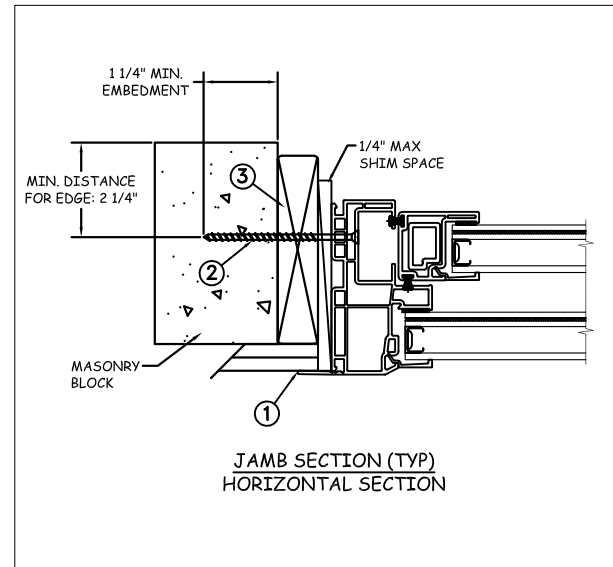
DATE: 05/04/2021	JELD-WEN	3737 Lakeport Blvd Klamath Falls, OR. 97601 Phone: (800) 535-3936
DRAWN BY: M.HAM		SCALE: NTS
CHECKED BY: J.GOOSSEN	Premium Vinyl Tilt Single Hung XXX - Impact	
APPROVED BY: J.GOOSSEN		
RECORD No: D014836		
REPORT No: 110-16-154	CAD DWG. No.:	REV: A
		SHEET 2 OF 4



TYPICAL ELEVATION WITH FASTENER SPACING



MASONRY INSTALLATION



Max Frame	DP RATING	IMPACT
108 x 72	+50/-55	YES

WINDZONE 2

Installation Notes:

1. Seal flange/frame to substrate. Sill shall be set on a continuous serpentine bead of structural grade silicone caulk when no fastener is used to anchor the sill (typical).
2. Use 3/16" Tapcon or equivalent fastener through frame with sufficient length to penetrate a minimum of 1 1/4" into concrete (min. f'c = 3000 psi) or masonry (per ASTM = C-90).
3. Host structure (wood buck, masonry, steel) to be designed and anchored to properly transfer all loads to the structure. The host structure is the responsibility of the architect or engineer of record for the project of installation.

General Notes:

1. The product shown herein is designed, tested and manufactured to comply with the wind load criteria of the 2018 International Residential Code (IRC), the 2018 International Building Code (IBC).
2. All glazing shall conform to ASTM E1300.
3. At minimum, glazing shall be 5.0mm annealed - 8.81mm airspace - 3.0mm annealed - 2.29mm PVB Interlayer by Kuraray - 3.0mm annealed insulating glass.
4. Use structural or composite shims where required.

This schedule addresses only the fasteners required to anchor the window to achieve the rated design pressure up to the size limitations noted. It is not intended as a guide to the installation process and does not address the sealing consideration that may arise in different wall conditions. For the complete installation procedure, see the instructions packaged with the window or go to www.jeld-wen.com.

DISCLAIMER:

This drawing and its contents are confidential and are not to be reproduced or copied in whole or in part or used or disclosed to others except as authorized by JELD-WEN Inc.



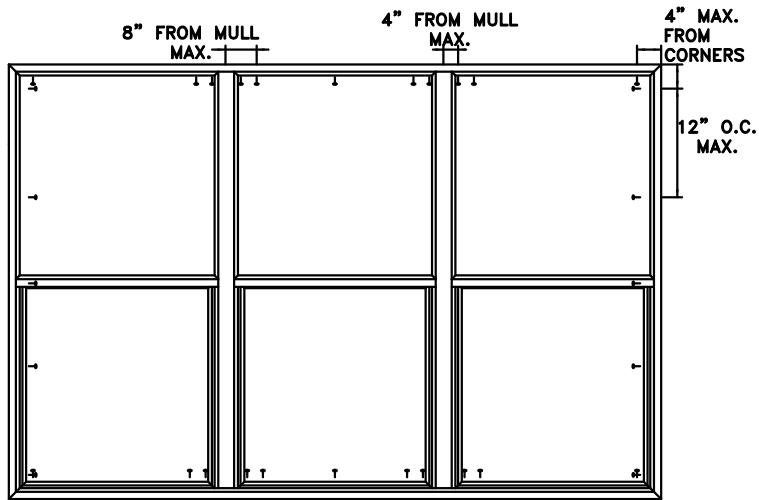
Joseph A. Reed

2021.05.14 08:17:18 -04'00'

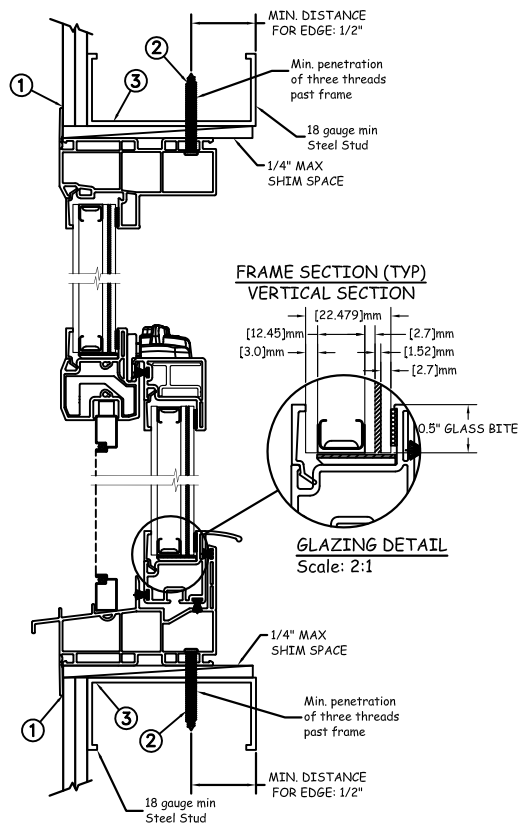
JOSEPH A. REED, P.E.

Texas No. 100777
5 LEIGH DRIVE
YORK, PA. 17406
(717) 846-1200

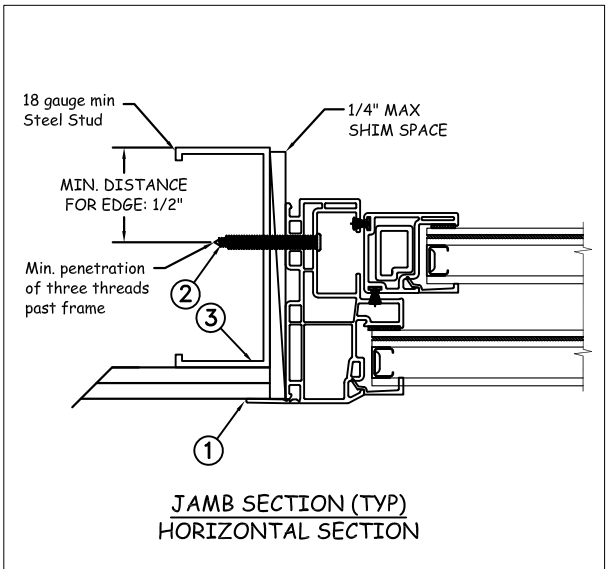
DATE: 05/04/2021	JELD-WEN	3737 Lakeport Blvd Klamath Falls, OR. 97601 Phone: (800) 535-3936	
DRAWN BY: M.HAM		SCALE: NTS	
CHECKED BY: J.GOOSSEN	Premium Vinyl Tilt Single Hung XXX - Impact		
APPROVED BY: J.GOOSSEN			
RECORD No: D014836			
REPORT No: 110-16-154	CAD DWG. No.:	REV: A	SHEET 3 OF 4



TYPICAL ELEVATION WITH FASTENER SPACING



STEEL INSTALLATION



JAMB SECTION (TYP)
HORIZONTAL SECTION

Max Frame	DP RATING	IMPACT
108 x 72	+50/-55	YES

WINDZONE 2

Installation Notes:

1. Seal flange/frame to substrate. Sill shall be set on a continuous serpentine bead of structural grade silicone caulk when no fastener is used to anchor the sill (typical).
2. For anchoring into metal framing, use #10 TEK Self Tapping screws with sufficient length to achieve a minimum penetration of three threads past the frame thickness. Locate anchors as shown in elevations and installation details. Steel substrate min. 18ga., fy = 33 ksi.
3. Host structure (wood buck, masonry, steel) to be designed and anchored to properly transfer all loads to the structure. The host structure is the responsibility of the architect or engineer of record for the project of installation.

This schedule addresses only the fasteners required to anchor the window to achieve the rated design pressure up to the size limitations noted. It is not intended as a guide to the installation process and does not address the sealing consideration that may arise in different wall conditions. For the complete installation procedure, see the instructions packaged with the window or go to www.jeld-wen.com.

DISCLAIMER:

This drawing and its contents are confidential and are not to be reproduced or copied in whole or in part or used or disclosed to others except as authorized by JELD-WEN Inc.

General Notes:

1. The product shown herein is designed, tested and manufactured to comply with the wind load criteria of the 2018 International Residential Code (IRC), the 2018 International Building Code (IBC).
2. All glazing shall conform to ASTM E1300.
3. At minimum, glazing shall be 5.0mm annealed - 8.81mm airspace - 3.0mm annealed - 2.29mm PVB Interlayer by Kuraray - 3.0mm annealed insulating glass.
4. Use structural or composite shims where required.



Joseph A. Reed

2021.05.14 08:17:18 -04'00'

JOSEPH A. REED, P.E.

Texas No. 100777
5 LEIGH DRIVE
YORK, PA. 17406
(717) 846-1200

DATE: 05/04/2021		3737 Lakeport Blvd Klamath Falls, OR. 97601 Phone: (800) 535-3936
SCALE: NTS		
CHECKED BY: J.GOOSEN	<p>Premium Vinyl Tilt Single Hung XXX - Impact</p>	
APPROVED BY: J.GOOSEN		
RECORD No: D014836		
REPORT No: 110-16-154	CAD DWG. No.:	REV: A
		SHEET 4 OF 4