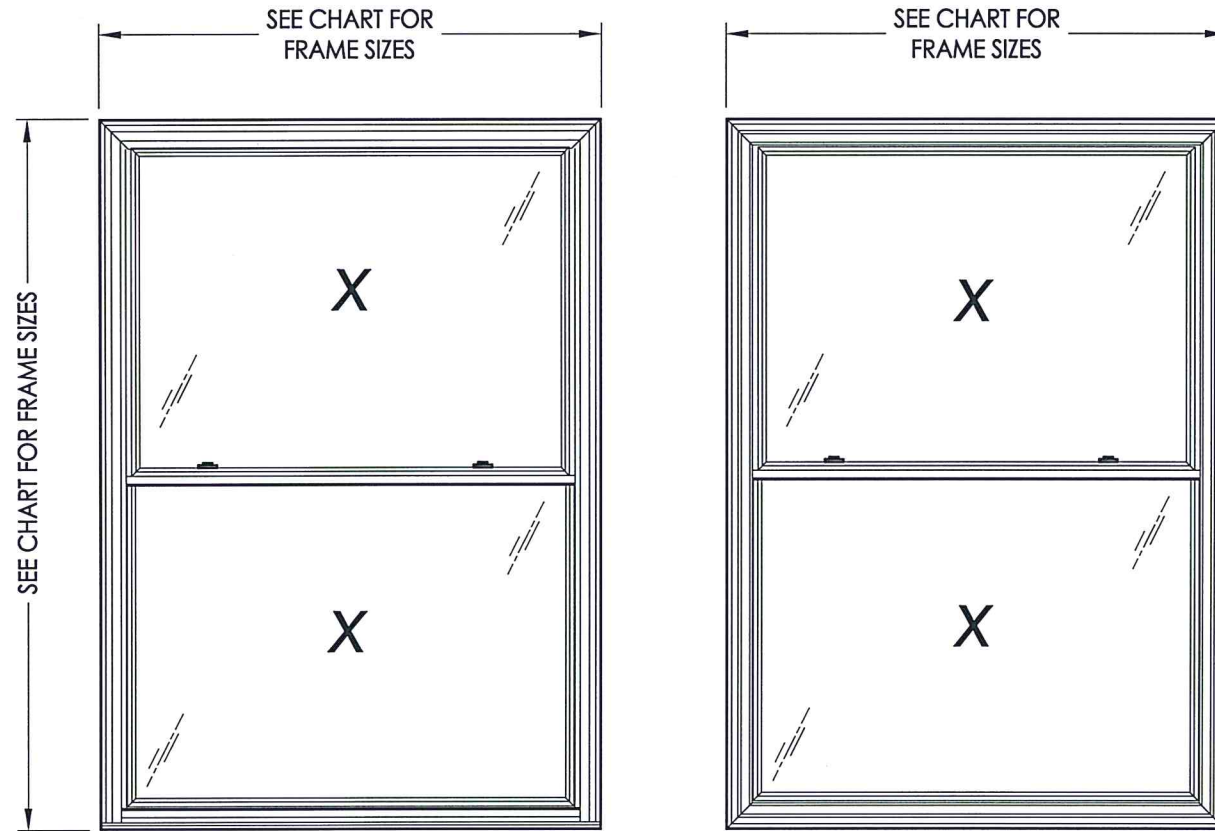




Bringing quality to light.

10250 Philipp Parkway  
Streetsboro, Ohio 44241

# "BARCELONA" Model "DH30" and "DH30P" DOUBLE HUNG WINDOW "NON-IMPACT"



Model "DH30"

Model "DH30P"

EVALUATED FOR USE IN THE STATE OF TEXAS

**TDI WIN-2354**

The Double Hung Window described herein complies with the 2018 International Residential Code (IRC), Sections R301 & R609 and the 2018 International Building Code (IBC), Sections 1404.13, 1609, 1709.5, 2403 and 2404 subject to the following conditions:

1. Anchors shall be as listed and spaced as shown in the details. Anchor embedment to base material shall be beyond wall dressing or stucco.
2. When used in areas requiring wind-borne debris protection this product is required to be protected with an impact resistant covering that complies with Section R301.2.1.2 of the IRC and Section 1609.2 of the IBC.
3. Allowable design pressure requirements must be equal to or less than the design pressure rating shown in the design pressure chart, sheet 1 of this drawing.
4. Conditions not covered by this drawing are subject to further engineering analysis.

**TABLE OF CONTENTS**

SHEET#	DESCRIPTION
1	Typical elevations, design pressures & general notes
2	Horizontal cross sections
3	Vertical cross sections
4	Buck and frame anchoring
5	Components
6	Bill of materials & glazing details

MODEL	MAX. FRAME DIMENSION	MAX. D.L.O. DIMENSION	GLASS TYPE	DESIGN PRESSURE (PSF)	
				POSITIVE	NEGATIVE
"DH30"	36.0" X 72.0"	28.125" x 32.0"	G1	+50.0	-50.0
"DH30"	40.0" X 63.0"	32.125" x 27.125"	G1	+55.0	-55.0
"DH30"	54.0" X 76.0"	46.25" x 34.0"	G1	+35.0	-35.0
"DH30P"	40.0" X 63.0"	32.125" x 26.625"	G1	+55.0	-55.0
"DH30P"	54.0" X 76.0"	46.25" x 33.125"	G1	+30.0	-30.0



Documents Prepared By: Lyndon F. Schmidt, P.E.  
TEXAS P.E. #104123

R.W. BUILDING CONSULTANTS, INC.  
P.O. Box 230 Vairico FL 33595  
Phone No.: 813.659.9197

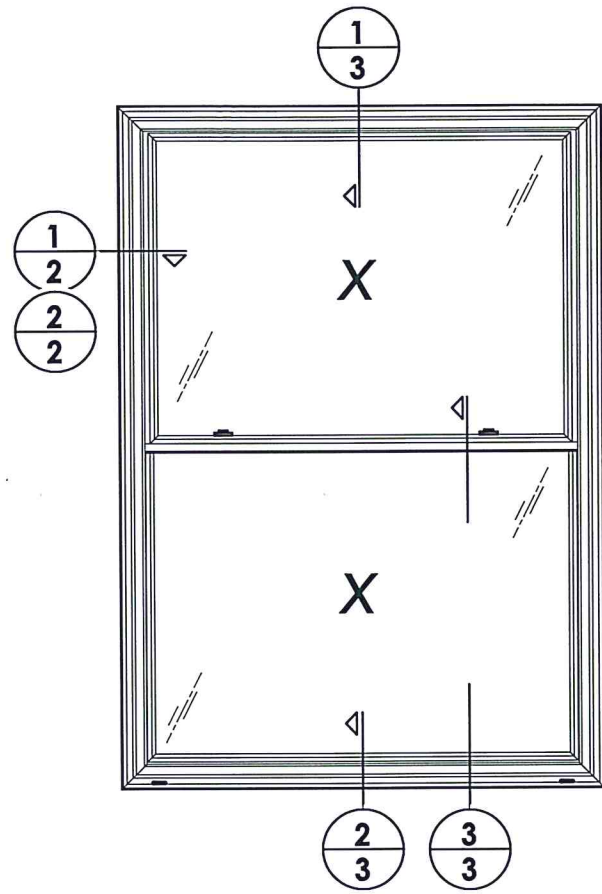
TEXAS BOARD OF PROFESSIONAL ENGINEERS  
CERTIFICATE OF REGISTRATION # F-11852

PRODUCT: SOFT-LITE WINDOWS  
PART OR ASSEMBLY: TYPICAL ELEVATION, DESIGN PRESSURES & GENERAL NOTES

NO.	DATE	BY	REVISIONS
1	5/04/21	LFS	UPDATE TO 2018 IBC/IRC

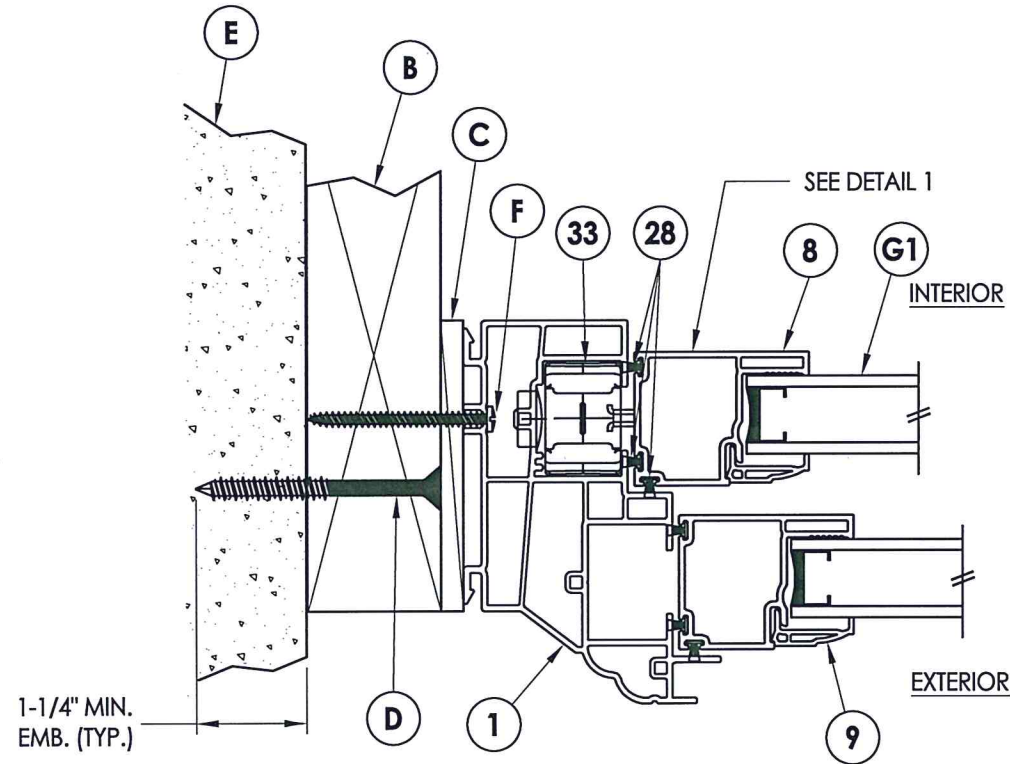
DATE: 6/28/18  
SCALE: N.T.S.  
DWG. BY: JK  
CHK. BY: LFS  
DRAWING NO.: TX-4860  
SHEET 1 OF 6



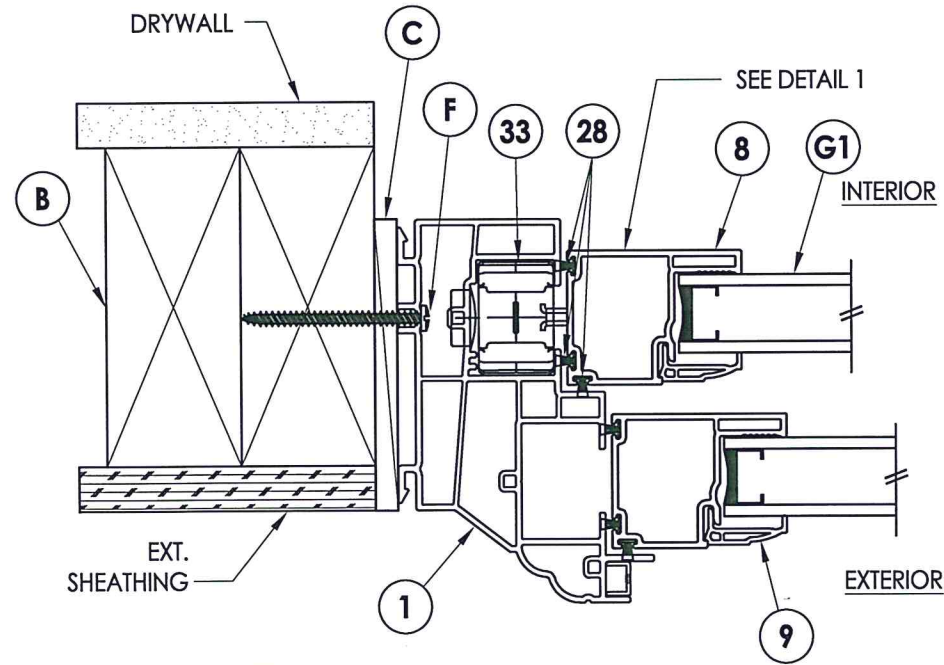


**Hardware Notes:**

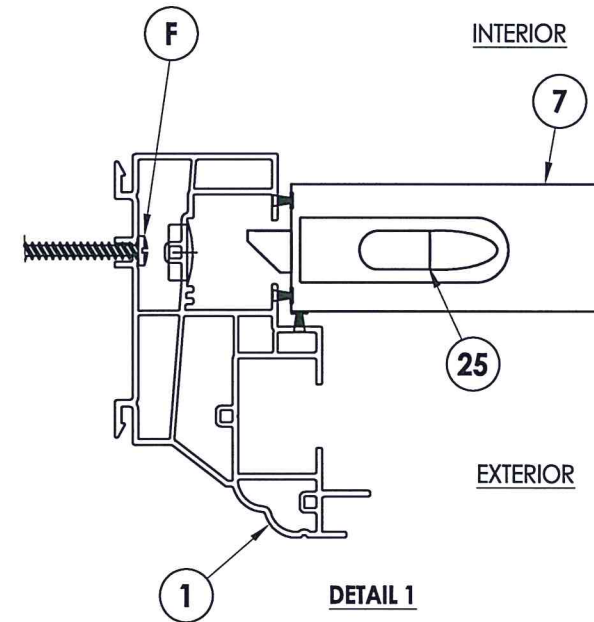
- 1. Locks (2) located on lock rail 10" from each jamb.



**2 HORIZONTAL CROSS SECTION**  
Shown w/ 2X Buck Masonry Construction



**1 HORIZONTAL CROSS SECTION**  
Shown w/ Stud Framing



**DETAIL 1**



Documents Prepared By: Lyndon F. Schmidt, P.E.  
TEXAS P.E. #104123

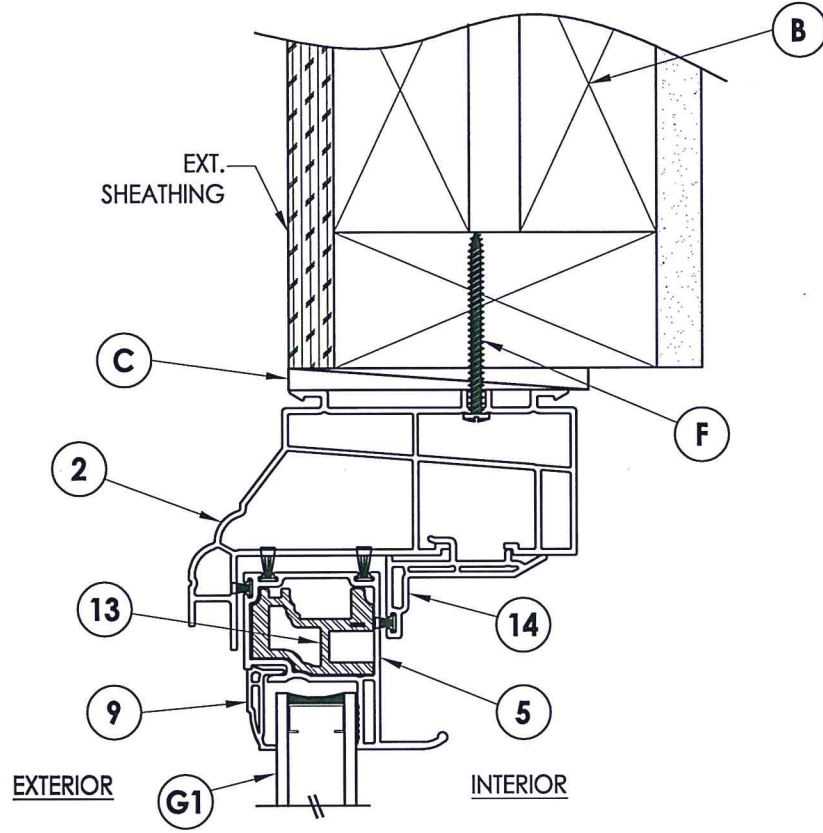
**R.W.** BUILDING CONSULTANTS, INC.  
P.O. Box 230 Valrico FL, 33595  
Phone No.: 813.659.9197

TEXAS BOARD OF PROFESSIONAL ENGINEERS  
CERTIFICATE OF REGISTRATION # F-11852

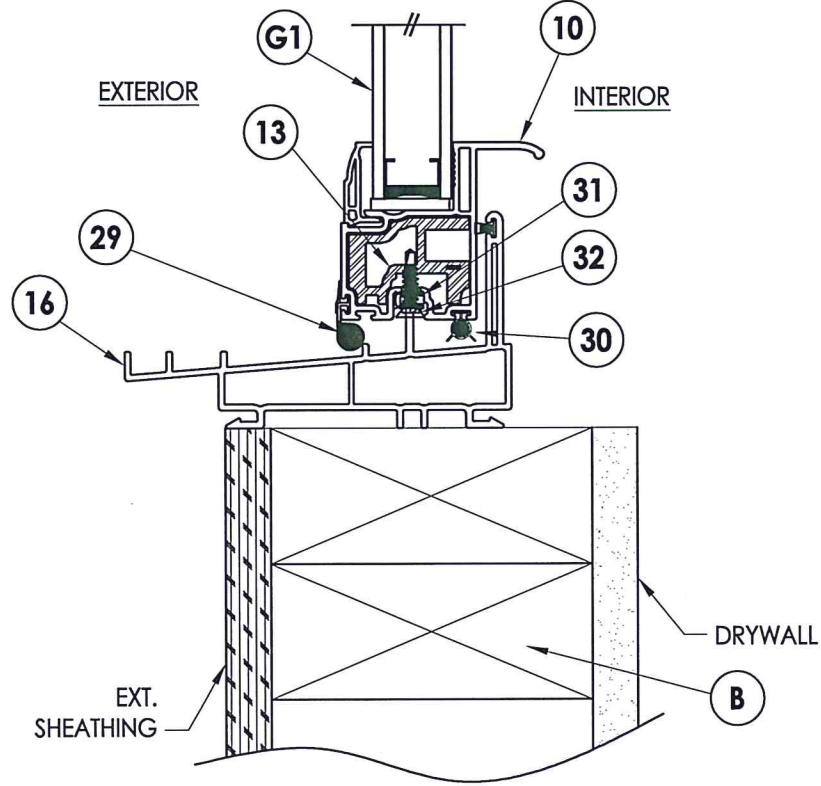
PRODUCT:	SOFT-LITE WINDOWS
PART OR ASSEMBLY:	HORIZONTAL CROSS SECTIONS

NO.	DATE	BY	REVISIONS
1	5/04/21	LFS	UPDATE TO 2018 IBC/IRC

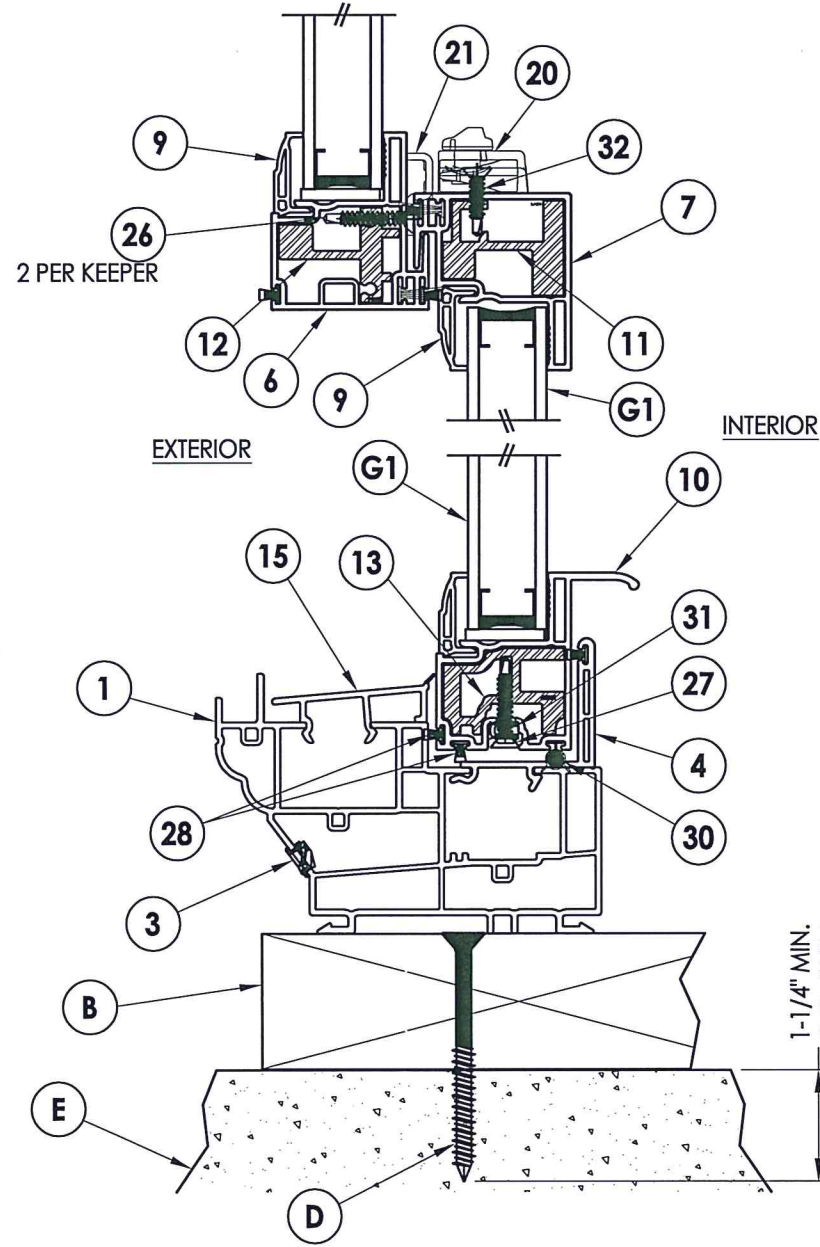
DATE:	6/28/18
SCALE:	N.T.S.
DWG. BY:	JK
CHK. BY:	LFS
DRAWING NO.:	TX-4860
SHEET	2 OF 6



**1** VERTICAL CROSS SECTION  
**3** Shown w/ Stud Framing



**2** VERTICAL CROSS SECTION  
**3** 2X Buck Construction  
 Shown w/ "DH30" Sloped Sill



**3** VERTICAL CROSS SECTION  
**3** 2X Buck Construction  
 Shown w/ "DH30P" Sill



Documents Prepared By: Lyndon F. Schmidt, P.E.  
 TEXAS P.E. #104123

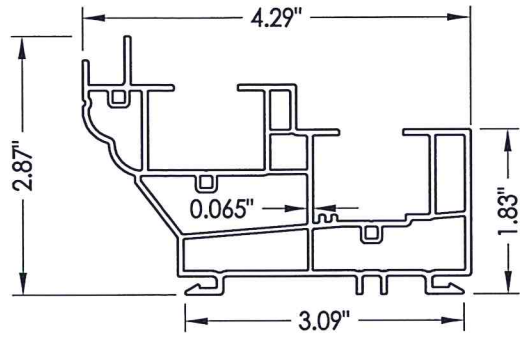
**RW** BUILDING CONSULTANTS, INC.  
 P.O. Box 230 Valrico FL 33595  
 Phone No.: 813.659.9197

TEXAS BOARD OF PROFESSIONAL ENGINEERS  
 CERTIFICATE OF REGISTRATION # F-11852

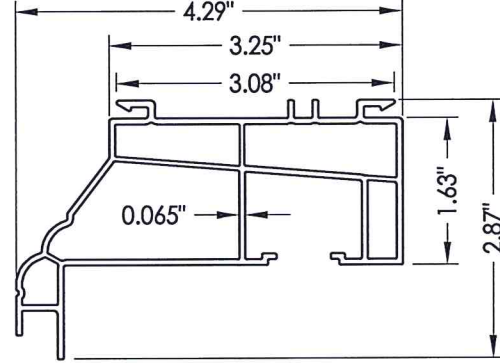
PRODUCT:		SOFT-LITE WINDOWS	
PART OR ASSEMBLY:		VERTICAL CROSS SECTIONS	
NO.	DATE	BY	REVISIONS
1	5/04/21	LFS	UPDATE TO 2018 IBC/IRC
DATE: 6/28/18			
SCALE: N.T.S.			
DWG. BY: JK			
CHK. BY: LFS			
DRAWING NO.: TX-4860			
SHEET 3 OF 6			



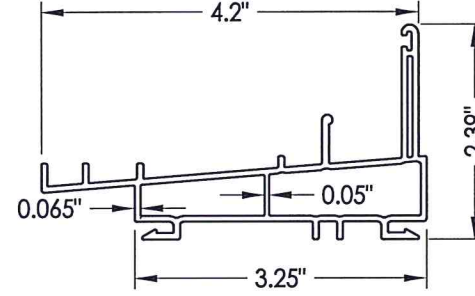




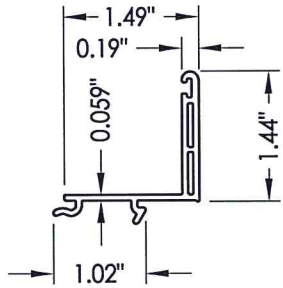
**1** FRAME



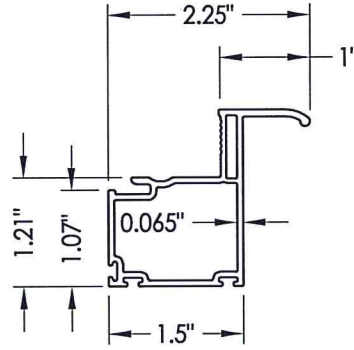
**2** HEAD



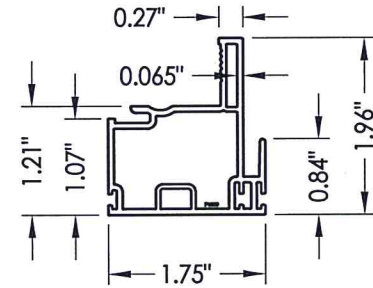
**16** SLOPED SILL  
"DH30"



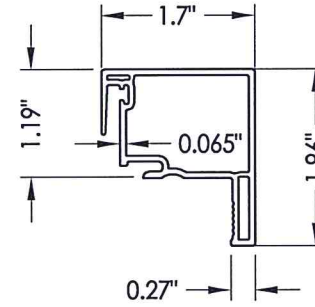
**4** SILL ADAPTER



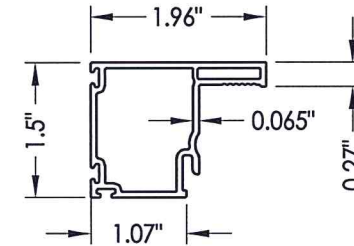
**5** LIFT RAIL



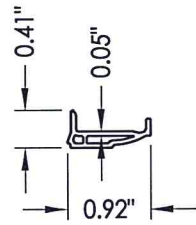
**6** KEEPER RAIL



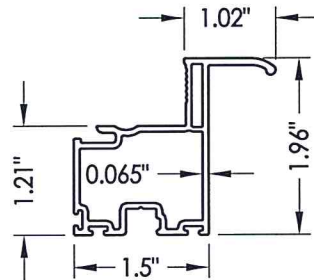
**7** LOCK RAIL



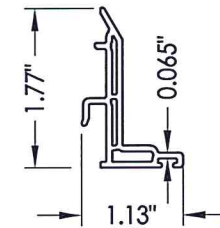
**8** PLAIN STILE



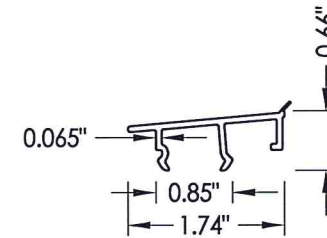
**9** GLAZING BEAD



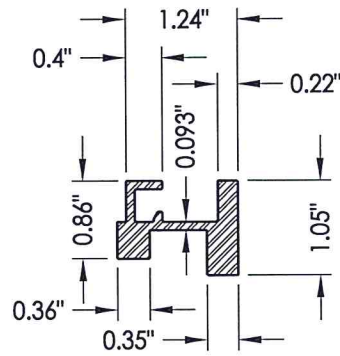
**10** LIFT RAIL



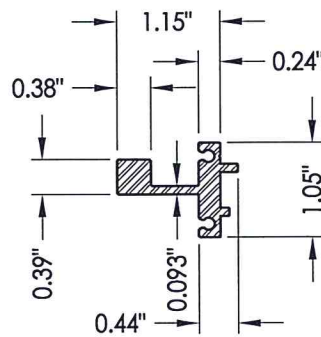
**14** HEAD POCKET INSERT



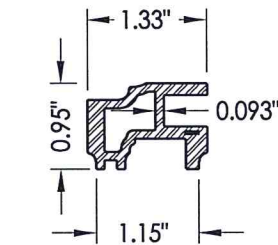
**15** SLOPED INSERT



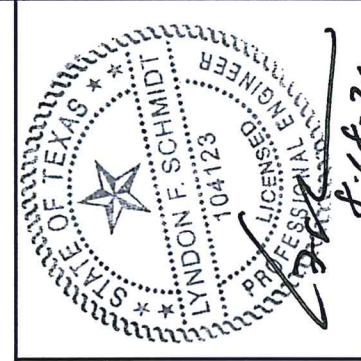
**11** REINFORCEMENT



**12** REINFORCEMENT



**13** REINFORCEMENT



Documents Prepared By: Lyndon F. Schmidt, P.E.  
TEXAS P.E. #104123

**RW** BUILDING CONSULTANTS, INC.  
P.O. Box 230 Valrico FL 33595  
Phone No.: 813.659.9197

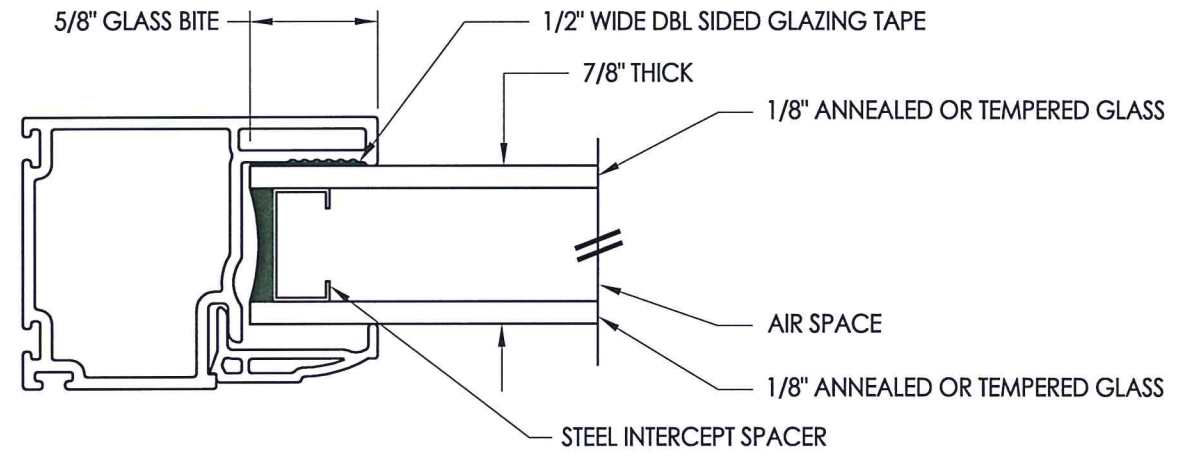
TEXAS BOARD OF PROFESSIONAL ENGINEERS  
CERTIFICATE OF REGISTRATION # F-11852

PRODUCT: SOFT-LITE WINDOWS	
PART OR ASSEMBLY: COMPONENTS	
NO.	DATE
1	5/04/21
UPDATE TO 2018 IBC/IRC	
LFS	BY
REVISIONS	
DATE: 6/28/18	
SCALE: N.T.S.	
DWG. BY: JK	
CHK. BY: LFS	
DRAWING NO.: TX-4860	
SHEET 5 OF 6	

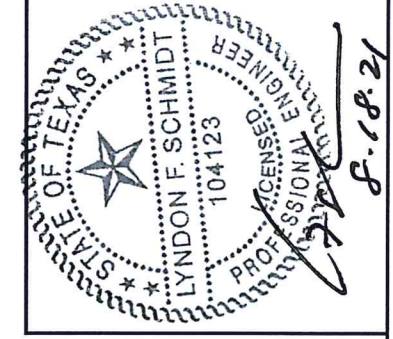


BILL OF MATERIALS		
ITEM #		MATERIAL
B	2X FRAMING (SG >= 0.42)	WOOD
C	1/4" MAX. SHIM SPACE	-
D	1/4" X 2-3/4" PFH ELCO OR ITW CONCRETE SCREW	STEEL
E	MASONRY - 3,000 PSI MIN. CONCRETE CONFORMING TO ACI 301 OR HOLLOW BLOCK CONFORMING TO ASTM C90	CONCRETE
F	#8 X 2" PPH SMS (1-3/8" MIN. EMBEDMENT)	STEEL
1	FRAME*	PVC
2	HEAD*	PVC
3	WEEP HOLE COVER*	PVC
4	SILL ADAPTER*	PVC
5	TOP LIFT HANDLE*	PVC
6	KEEPER RAIL*	PVC
7	LOCK RAIL*	PVC
8	PLAIN STILE*	PVC
9	GLAZING BEAD*	PVC
10	BOTTOM LIFT RAIL*	PVC
11	REINFORCEMENT (6065-T5 ALUM)	ALUM.
12	REINFORCEMENT (6065-T5 ALUM)	ALUM.
13	REINFORCEMENT (6065-T5 ALUM)	ALUM.
14	HEAD POCKET INSERT*	PVC
15	SLOPED INSERT*	PVC
16	SLOPED SILL*	PVC
20	LOCK	-
21	LOCK KEEPER	-
25	TILT LATCH	-
26	#8 X 1" PFH TEK	STEEL
27	#6 X 1" PFH TEK	STEEL
28	WEATHERSTRIP (187-270 TRI-FIN)	-
29	BULB SEAL	-
30	BULB SEAL	-
31	PIVOT BAR	STEEL
32	#7 X 3/4" PFH TEK	STEEL
33	BALANCER BRACKET	-

\* THE APPROVED WHITE RIGID PVC EXTERIOR EXTRUSIONS FOR WINDOWS ARE TO BE PRODUCED BY EXTRUDERS LICENSEES IN "AAMA CERTIFICATIONS PROGRAMS FOR RIGID PVC EXTRUSIONS".



**G1** GLAZING DETAIL



Documents Prepared By: Lyndon F. Schmidt, P.E.  
TEXAS P.E. #104123

**RW** BUILDING CONSULTANTS, INC.  
P.O. Box 230 Valrico FL 33595  
Phone No.: 813.659.9197  
TEXAS BOARD OF PROFESSIONAL ENGINEERS  
CERTIFICATE OF REGISTRATION # F-11852

PRODUCT: SOFT-LITE WINDOWS  
PART OR ASSEMBLY: BILL OF MATERIALS AND GLAZING DETAIL

NO.	DATE	BY	REVISIONS
1	5/04/21	LFS	UPDATE TO 2018 IBC/IRC

DATE: 6/28/18  
SCALE: N.T.S.  
DWG. BY: JK  
CHK. BY: LFS  
DRAWING NO.: TX-4860  
SHEET 6 OF 6