

VENTANA USA

SERIES 4760 PICTURE WINDOW

NON-IMPACT / L.M. IMPACT

REVISIONS			
REV	DESCRIPTION	DATE	APPROVED

GENERAL NOTES:

1. THE FENESTRATION PRODUCTS DEPICTED HEREIN:
 - 1.1. HAVE BEEN TESTED IN ACCORDANCE WITH THE FOLLOWING:
 - 1.1.1. AAMA/WDMA/CSA 101/I.S.2/A440-11 DOCUMENTED IN TEST REPORTS NO. NCTL-210-4076-01A AND NCTL-210-4076-02A.
 - 1.1.2. ASTM E1886-05 AND ASTM E1996-05/09 DOCUMENTED IN TEST REPORT NO. NCTL-210-4076-01A.
 - 1.2. HAVE BEEN EVALUATED AND ARE IN CONFORMANCE WITH THE FOLLOWING IN ACCORDANCE WITH THE TEXAS DEPARTMENT OF INSURANCE (TDI) WINDSTORM INSPECTION PROGRAM:
 - 1.2.1. 2006 INTERNATIONAL BUILDING CODE WITH TEXAS SPECIFIC AMENDMENTS.
 - 1.2.2. 2006 INTERNATIONAL RESIDENTIAL CODE WITH TEXAS SPECIFIC AMENDMENTS.
2. ADEQUACY OF THE EXISTING STRUCTURAL CONCRETE, MASONRY AND 2X FRAMING AS A MAIN WIND FORCE RESISTING SYSTEM CAPABLE OF WITHSTANDING AND TRANSFERRING APPLIED PRODUCT LOADS TO THE FOUNDATION IS THE RESPONSIBILITY OF THE ENGINEER OR ARCHITECT OF RECORD FOR THE PROJECT OF INSTALLATION.
3. 1X BUCK OVER MASONRY AND/OR CONCRETE IS OPTIONAL. WHERE 1X BUCK IS NOT USED DISSIMILAR MATERIALS MUST BE SEPARATED WITH APPROVED COATING OR MEMBRANE. SELECTION OF COATING OR MEMBRANE IS THE RESPONSIBILITY OF THE ARCHITECT OR ENGINEER OF RECORD.
4. THE INSTALLATION DETAILS DESCRIBED HEREIN ARE GENERIC AND MAY NOT REFLECT ACTUAL CONDITIONS FOR A SPECIFIC SITE. IF THE INSTALLATION METHODS DEVIATE FROM THESE APPROVED DETAILS THIS WOULD REQUIRE FURTHER INVESTIGATION BY A LICENSED OR REGISTERED DESIGN PROFESSIONAL.
5. ALL SETTING BLOCKS AND GASKET MATERIALS SHALL BE IN COMPLIANCE WITH THE 2006 INTERNATIONAL BUILDING CODES W/TEXAS REVISIONS. SETTING BLOCKS SHALL BE NEOPRENE WITH A 70 TO 90 SHORE A DUROMETER.
6. IN AREAS WHERE WINDBORNE DEBRIS PROTECTION REQUIREMENTS EXIST, USE OF AN IMPACT PROTECTIVE SYSTEM COMPLYING WITH THE REQUIREMENTS FOR WINDBORNE DEBRIS REGIONS SHALL BE AS FOLLOWS:
 - 6.1. THE IMPACT GLAZED PRODUCT (GLAZING DETAILS 1 & 2) DOES NOT REQUIRE AN IMPACT PROTECTIVE SYSTEM IF USED IN A WINDBORNE DEBRIS REGION.
 - 6.2. THE NON-IMPACT GLAZED PRODUCT (GLAZING DETAILS 3 & 4) REQUIRES THE USE OF AN IMPACT PROTECTION DEVICE IF USED IN A WINDBORNE DEBRIS REGION.
7. MATERIALS:
 - 7.1. FRAME: RIGID VINYL
8. GLAZING:
 - 8.1. GLASS MEETS THE REQUIREMENTS OF ASTM E1300-04e01.
 - 8.2. SEE GLAZING DETAILS ON SHEET 8 OF 8.
 - 8.2.1. ANNEALED EXTERIOR MONOLITHIC LITE USED IN TESTING.
 - 8.2.2. TEMPERED EXTERIOR MONOLITHIC LITE MAY BE SUBSTITUTED PER ASTM E1996 SUBSTITUTION ALLOWANCES.
 - 8.3. GLASS SHALL MEET SAFETY GLAZING REQUIREMENTS PER THE 2006 INTERNATIONAL BUILDING CODES W/TEXAS REVISIONS.
 - 8.3.1. GLAZING DETAIL 2 & 4 (TEMPERED EXTERIOR MONOLITHIC LITE) MAY BE USED WHEN THE PRODUCT'S MONOLITHIC IGU LITE IS REQUIRED TO BE SAFETY GLAZING.
 - 8.3.2. GLAZING DETAIL 1 & 3 (ANNEALED EXTERIOR MONOLITHIC LITE) MAY BE USED WHEN THE PRODUCT'S MONOLITHIC IGU LITE IS NOT REQUIRED TO BE SAFETY GLAZING.
- 8.4. INTERLAYER: KURARAY AMERICA TROSIFOL PVB.
9. PANEL OPERABILITY DESIGNATIONS:
 - 9.1. WINDOW IS AN INOPERABLE (FIXED) PANEL.

ANCHOR NOTES:

1. SHIM AS REQUIRED AT EACH INSTALLATION ANCHOR WITH A LOAD BEARING SHIM. SHIM WHERE SPACE OF 1/16" OR GREATER OCCURS. MAXIMUM ALLOWABLE SHIM STACK TO BE 1/4".
2. FOR ANCHORING THROUGH FRAME INTO MASONRY/CONCRETE USE 1/4" ITW ADVANCED THREADFORM TAPCONS WITH SUFFICIENT LENGTH TO ACHIEVE THE FOLLOWING:
 - 2.1. CONCRETE: 1-1/2" MINIMUM EMBEDMENT INTO SUBSTRATE WITH 1-1/2" MINIMUM EDGE DISTANCE.
 - 2.2. CMU/MASONRY: 1" MINIMUM EMBEDMENT INTO SUBSTRATE WITH 2" MINIMUM EDGE DISTANCE.
3. ANCHORING INTO WOOD SHALL BE AS FOLLOWS:
 - 3.1. FOR ANCHORING THROUGH FRAME INTO WOOD FRAMING OR 2X BUCK USE #14 WOOD SCREWS PER (ANSI B18.6.1) WITH MINIMUM GRADE 2 STRENGTH AND WITH SUFFICIENT LENGTH TO ACHIEVE 1-1/2" MINIMUM EMBEDMENT INTO SUBSTRATE WITH 1" MINIMUM EDGE DISTANCE.
 - 3.2. FOR ANCHORING THROUGH FIN INTO WOOD FRAMING OR 2X BUCK USE NO. 10 WOOD SCREWS PER (ANSI B18.6.1) WITH MINIMUM GRADE 2 STRENGTH AND WITH SUFFICIENT LENGTH TO ACHIEVE 1-3/8" MINIMUM EMBEDMENT INTO SUBSTRATE WITH 3/4" MINIMUM EDGE DISTANCE. NO. 10 WOOD SCREWS SHALL BE EITHER OF THE FOLLOWING HEAD TYPES:
 - 3.2.1. NO. 10 PAN-WASHER HEAD
 - 3.2.2. NO. 10 PAN HEAD WITH NO. 10 TYPE A PLAIN WASHER
 - 3.3. FOR ANCHORING THROUGH FIN FRAME INTO WOOD FRAMING USE NO. 8 D RING SHANK ROOFING NAIL WITH SHANK DIAMETER OF 0.131" AND HEAD DIAMETER OF 7/16" AND WITH SUFFICIENT LENGTH TO ACHIEVE 1-3/8" MINIMUM EMBEDMENT INTO SUBSTRATE.
4. INSTALLATION ANCHOR CAPACITIES FOR PRODUCTS HEREIN ARE BASED ON SUBSTRATE MATERIALS WITH THE FOLLOWING PROPERTIES:
 - 4.1. WOOD - MINIMUM SPECIFIC GRAVITY OF 0.42.
 - 4.2. CONCRETE - MINIMUM COMPRESSIVE STRENGTH OF 2500 PSI.
 - 4.3. MASONRY - STRENGTH CONFORMANCE TO ASTM C-90 MEDIUM WEIGHT WITH COMPRESSIVE STRENGTH OF 1900 psi (DENSITY > 117 PCF).

TABLE OF CONTENTS	
SHEET NO	DESCRIPTION
1	GENERAL NOTES
2-3	ANCHOR ELEVATION & LAYOUTS
4-6	INSTALLATION DETAILS
7	TERMS, CONDITIONS & SPECIFICATIONS
8	BILL OF MATERIALS & GLAZING DETAIL

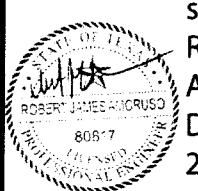
VENTANA USA
6001 ENTERPRISE DRIVE
EXPORT PA 15632-8969

SERIES 4760 VINYL PICTURE WINDOW
IMPACT / NON-IMPACT
GENERAL NOTES

DRAWN JRM	DATE NL-0092	REV -
SCALE NTS	DATE 05/17/2017	SHEET 1 OF 8

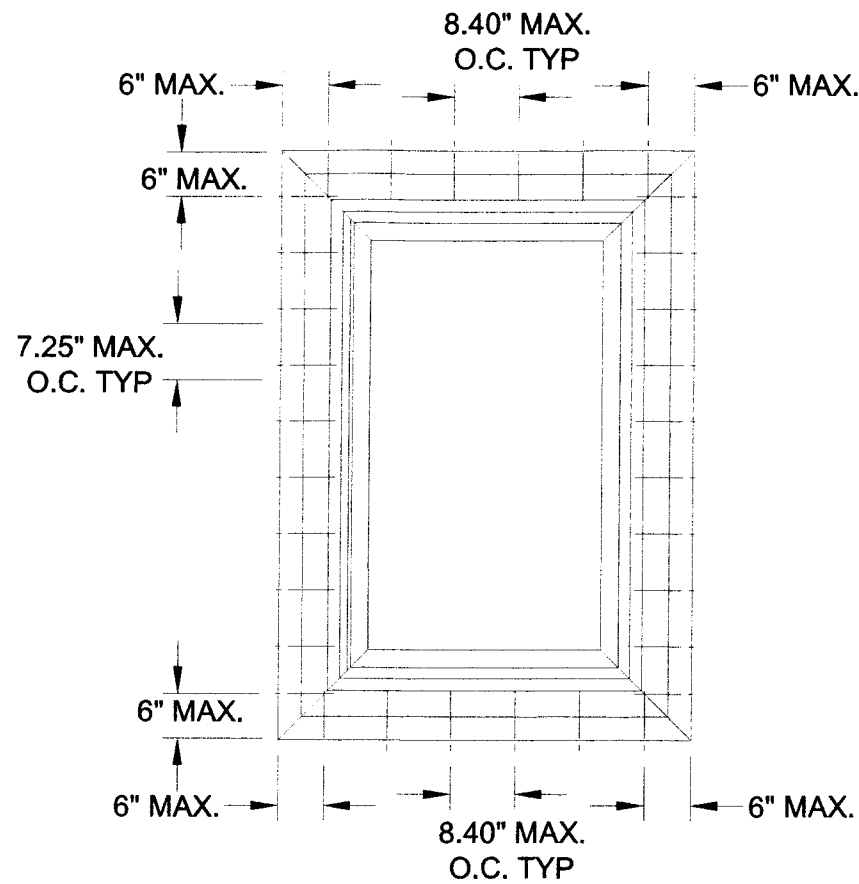
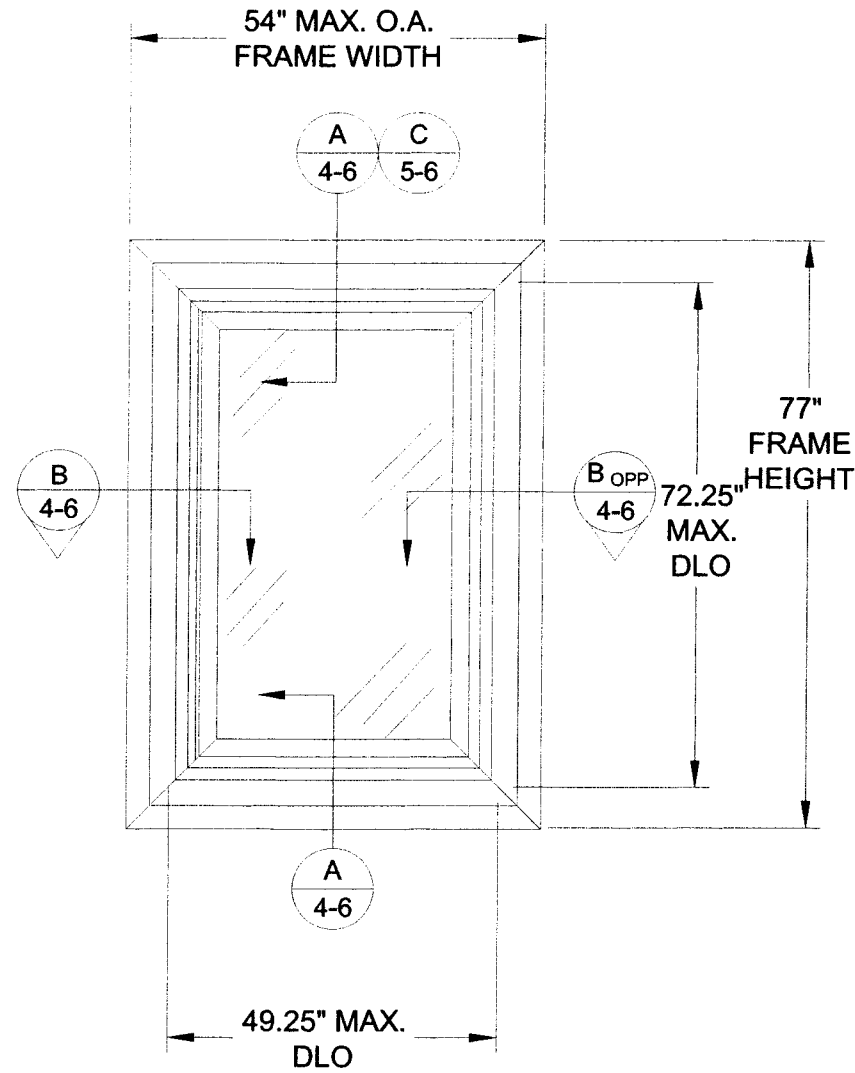
ROBERT J. AMORUSO
FL. P.E. NO. 49752

Digitally
signed by
Robert J
Amoruso
Date:
2017.08.01
09:01:12
-04'00'

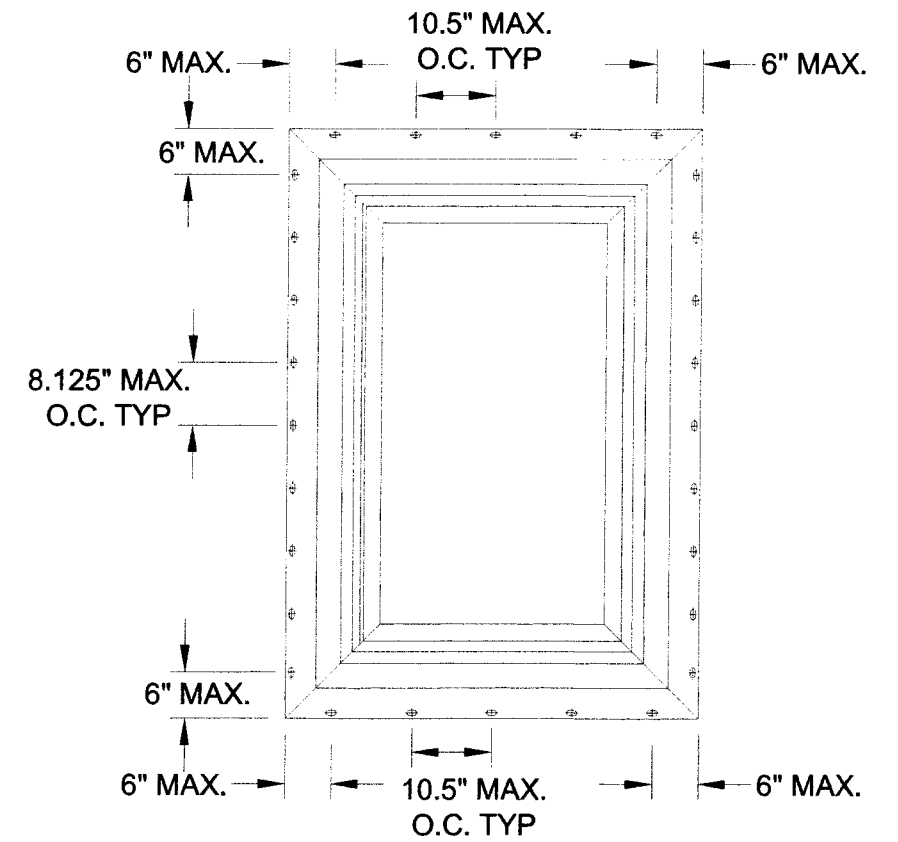


12472 LAKE
UNDERHILL RD
NO. 148
ORLANDO, FL 32828
robert.amoruso@
comcast.net

REVISIONS			
REV	DESCRIPTION	DATE	APPROVED



ANCHOR LAYOUT
FLANGE/EQUAL
FRAME INSTALLATION



ANCHOR LAYOUT
NAILING FIN TYPE
FRAME INSTALLATION

ANCHORAGE INSTALLATION REQUIREMENTS TO MEET DESIGN PRESSURE OF +/-80 PSF

DESIGN PRESSURE RATING (PSF)		
NON-IMPACT RATING		
MAX. OVERALL TESTED FRAME SIZE (IN)	MAX. DESIGN PRESSURE (PSF)	QUALIFIED CONFIGURATION
54" X 77"	+/- 80.0	O
SEE GLAZING DETAIL 3 & 4 ON SHT. 8		

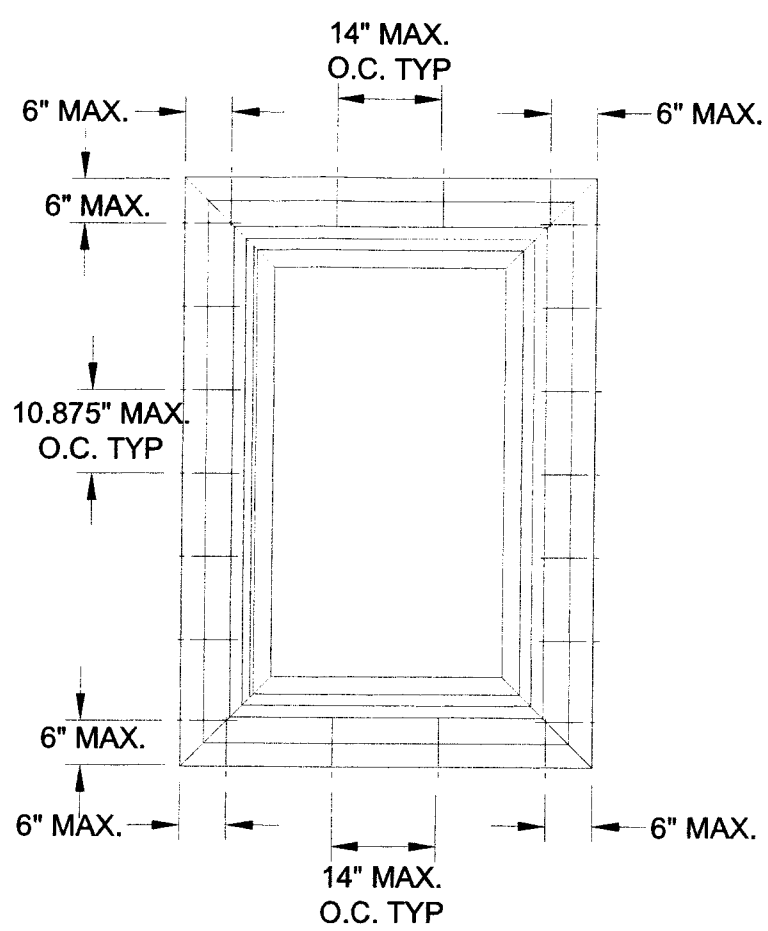
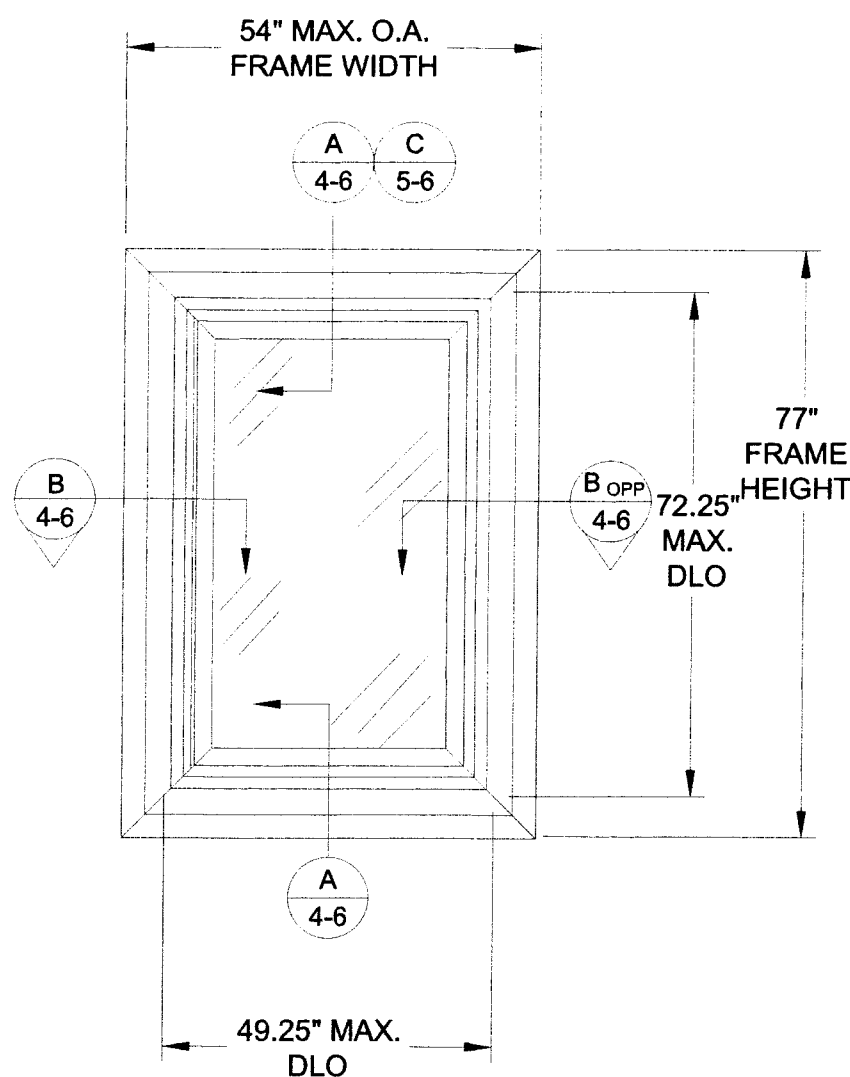
VENTANA USA 6001 ENTERPRISE DRIVE EXPORT PA 15632-8969		
SERIES 4760 VINYL PICTURE WINDOW IMPACT / NON-IMPACT ANCHOR ELEVATION & LAYOUTS		
DRAWN: JRM	DATE: 05/17/2017	REV: - NL-0092
SCALE: NTS	DATE: 05/17/2017	SHEET: 2 OF 8

ROBERT J. AMORUSO
FL. P.E. NO. 49752

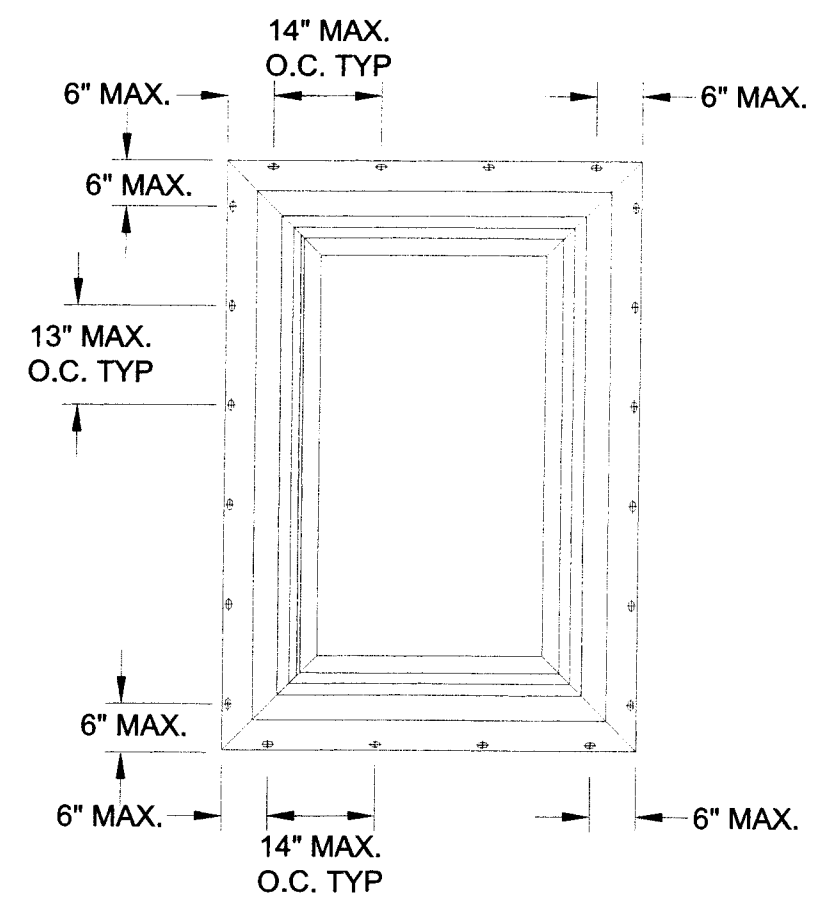
Digitally signed by Robert J. Amoruso
Date: 2017.08.01 09:01:41 -04'00'

12472 LAKE UNDERHILL RD
NO. 148
ORLANDO, FL 32828
robert.amoruso@comcast.net

REVISIONS			
REV	DESCRIPTION	DATE	APPROVED



ANCHOR LAYOUT
FLANGE/EQUAL
FRAME INSTALLATION



ANCHOR LAYOUT
NAILING FIN TYPE
FRAME INSTALLATION

ANCHORAGE INSTALLATION REQUIREMENTS TO MEET DESIGN PRESSURE OF +/-50 PSF

DESIGN PRESSURE RATING (PSF)		
MISSILE LEVEL D, WINDZONE 4 IMPACT RATING		
MAX. OVERALL TESTED FRAME SIZE (IN)	MAX. DESIGN PRESSURE (PSF)	QUALIFIED CONFIGURATION
54" X 77"	+/- 50.0	O
SEE GLAZING DETAIL 1 & 2 ON SHT. 8		

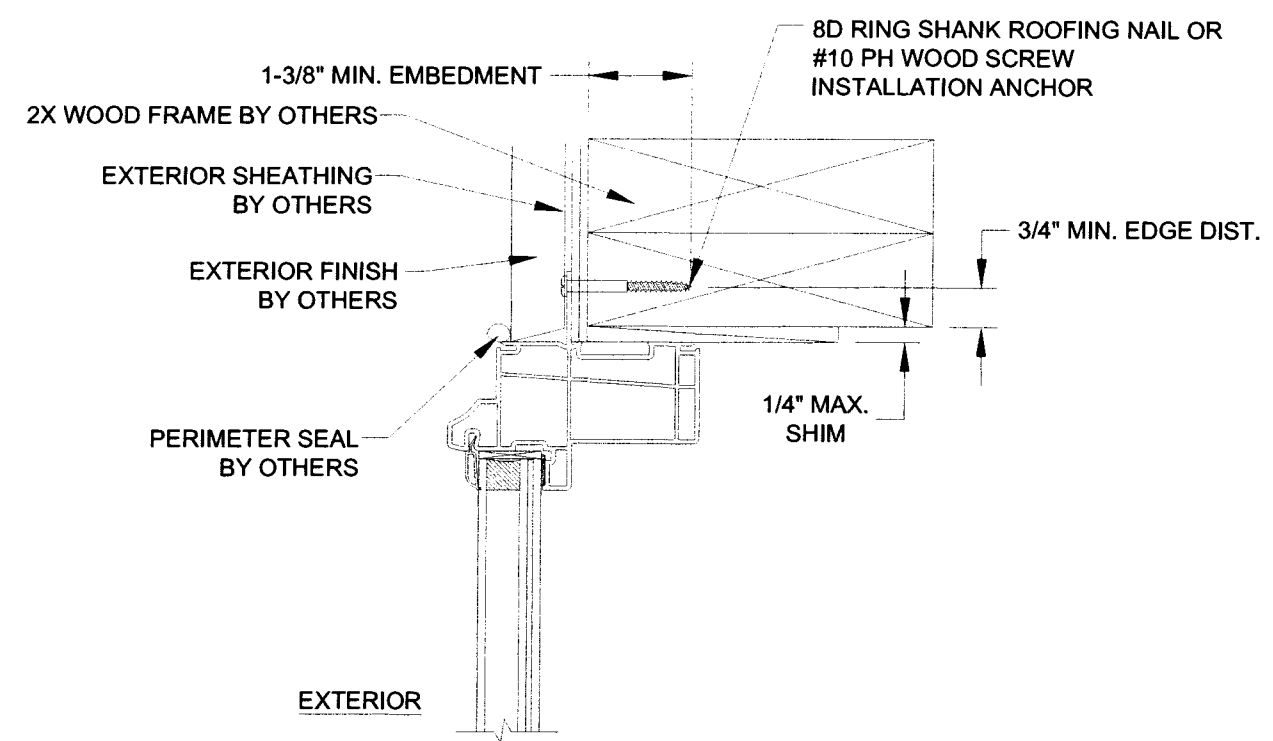
VENTANA USA 6001 ENTERPRISE DRIVE EXPORT PA 15632-8969		
SERIES 4760 VINYL PICTURE WINDOW IMPACT / NON-IMPACT ANCHOR ELEVATION & LAYOUTS		
DRAWN JRM	SCALE NTS	DATE 05/17/2017
REV. ---	DESCRIPTION NL-0092	SHEET 3 OF 8

ROBERT J. AMORUSO
FL. P.E. NO. 49752

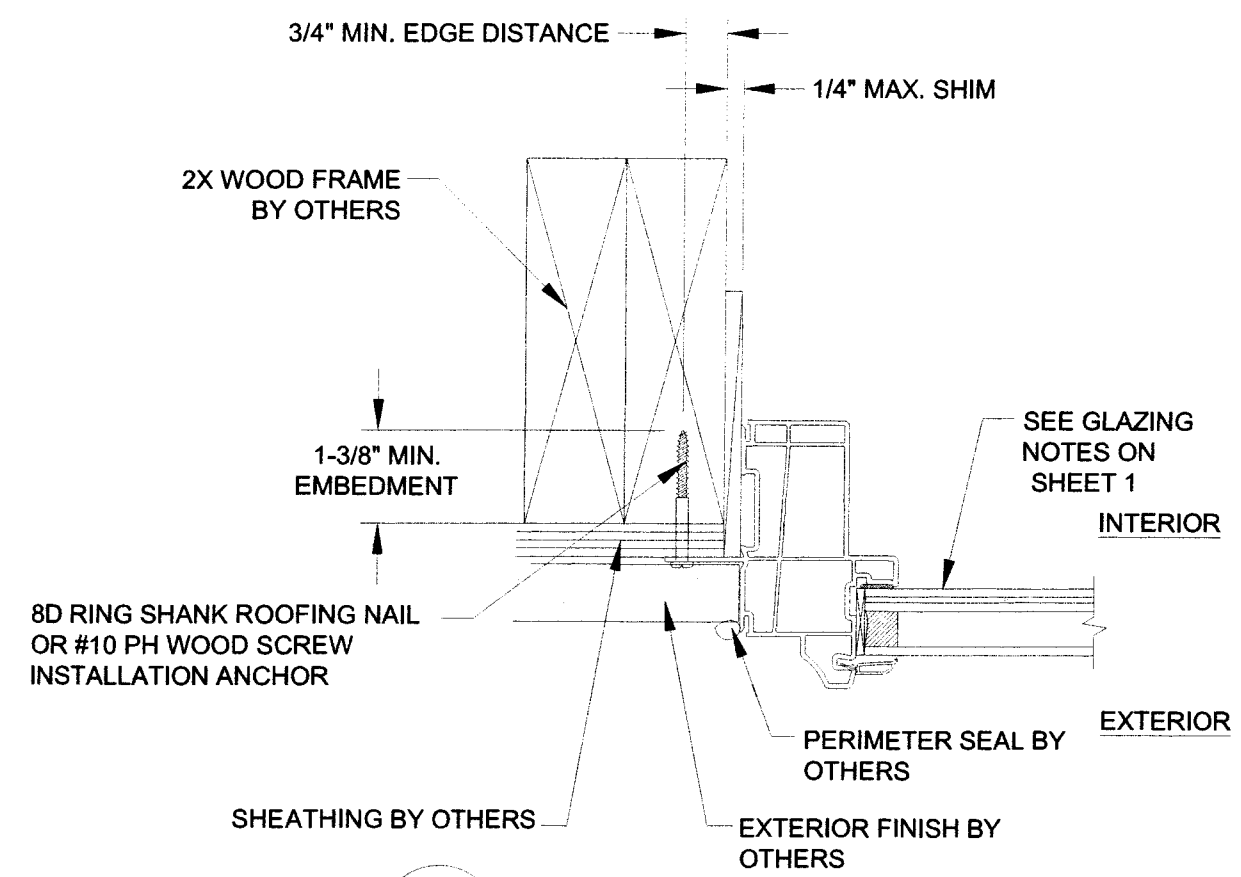
Digitally signed by Robert J Amoruso
Date: 2017.08.01 09:02:02 -04'00'

12472 LAKE UNDERHILL RD
NO. 148
ORLANDO, FL 32828
robert.amoruso@comcast.net

REVISIONS			
REV	DESCRIPTION	DATE	APPROVED



A
4
VERTICAL SECTION
NAIL FIN FRAME TYPE
2X WOOD FRAME SUBSTRATE



B
4
HORIZONTAL SECTION
NAIL FIN FRAME TYPE
2X WOOD FRAME SUBSTRATE

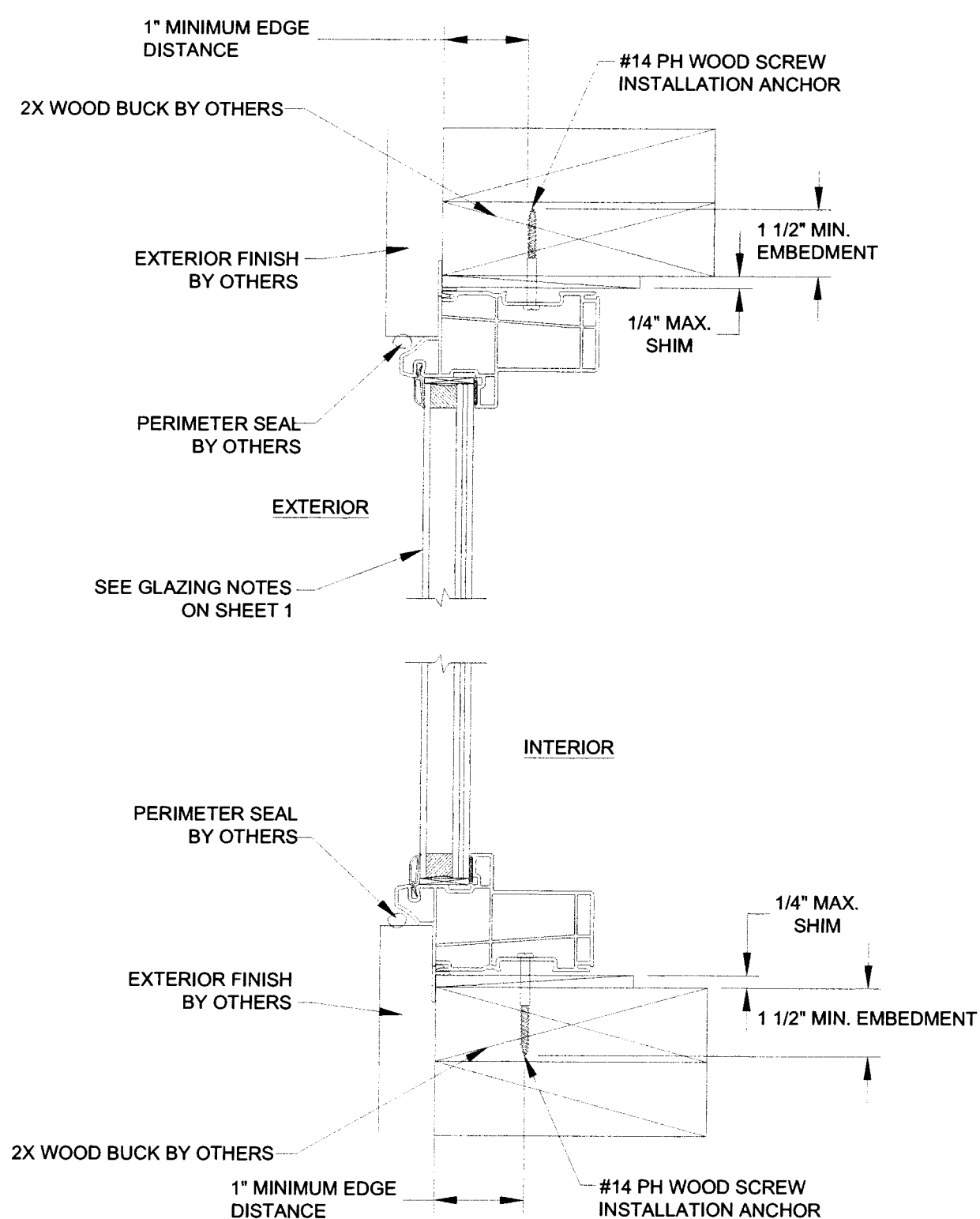
VENTANA USA 6001 ENTERPRISE DRIVE EXPORT PA 15632-8969		
SERIES 4760 VINYL PICTURE WINDOW IMPACT / NON-IMPACT INSTALLATION DETAILS-WOOD FRAME		
DESIGNER JRM	PROJECT NL-0092	REV -
SCALE NTS	DATE 05/17/2017	SHEET 4 OF 8

ROBERT J. AMORUSO
FL. P.E. NO. 49752

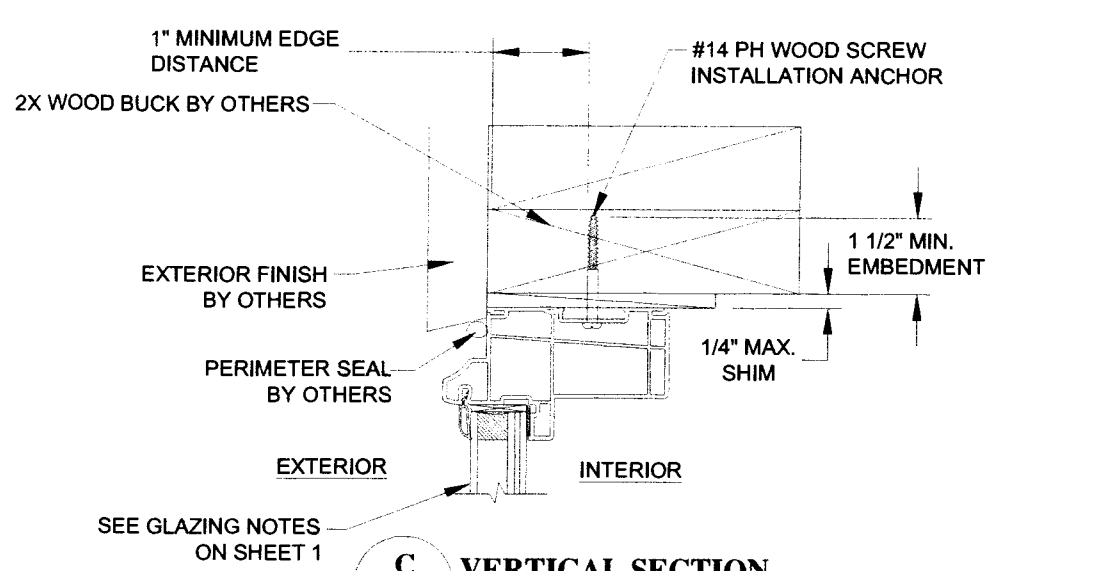
Digitally signed
by Robert J
Amoruso
Date:
2017.08.01
09:02:17 -04'00'

12472 LAKE
UNDERHILL RD
NO. 148
ORLANDO, FL 32828
robert.amoruso@
comcast.net

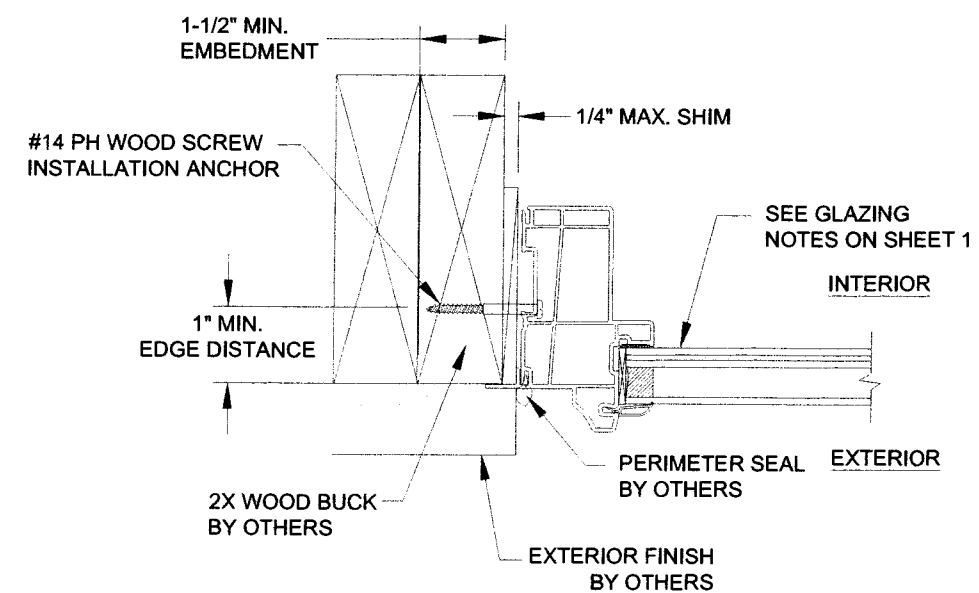
REVISIONS			
REV	DESCRIPTION	DATE	APPROVED



A
5
VERTICAL SECTION
FLANGED FRAME TYPE
WOOD FRAME SUBSTRATE



C
5
VERTICAL SECTION
EQUAL LEG FRAME (ALT.)
WOOD FRAME SUBSTRATE



B
5
HORIZONTAL SECTION
FLANGED FRAME TYPE
WOOD FRAME SUBSTRATE

VENTANA USA 6001 ENTERPRISE DRIVE EXPORT PA 15632-8969		
SERIES 4760 VINYL PICTURE WINDOW IMPACT / NON-IMPACT INSTALLATION-2X WOOD BUCK		
DRAWN JRM	REVISED NL-0092	SCALE -
SCALE NTS	DATE 05/17/2017	SHEET 5 OF 8

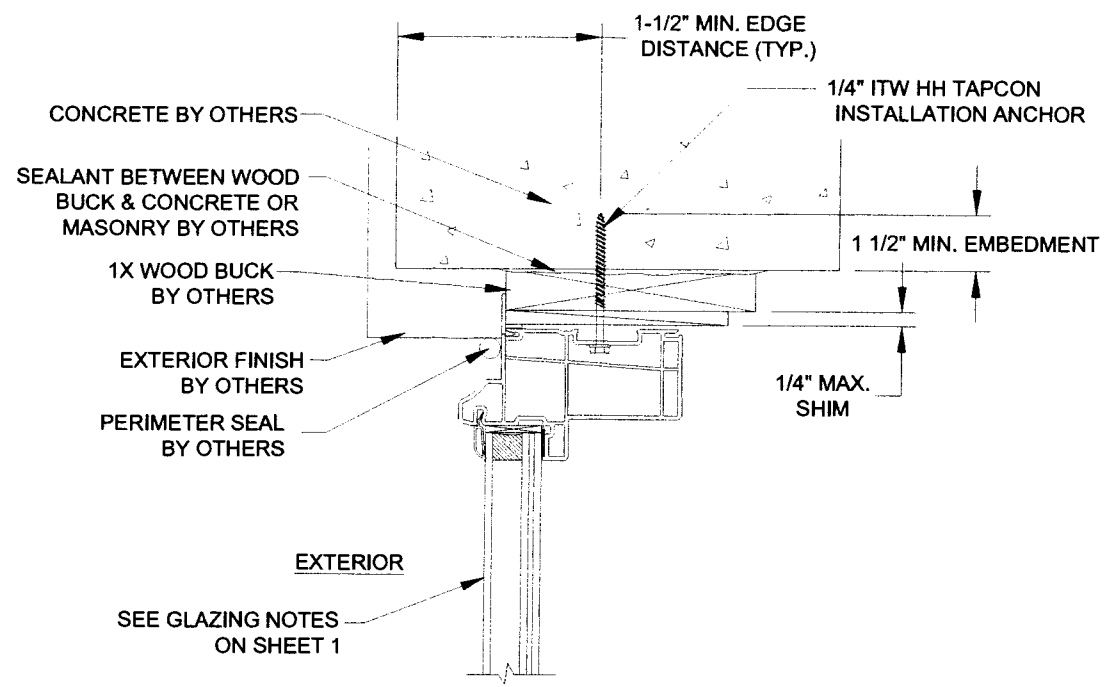
ROBERT J. AMORUSO
FL. P.E. NO. 49752

Digitally signed by
Robert J Amoruso
Date:
2017.08.01
09:02:34
-04'00'

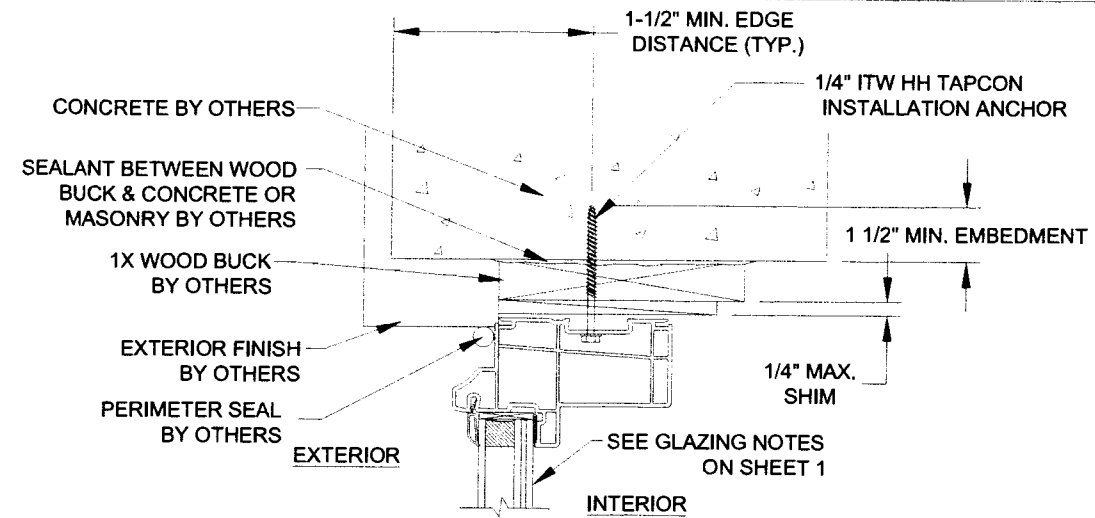
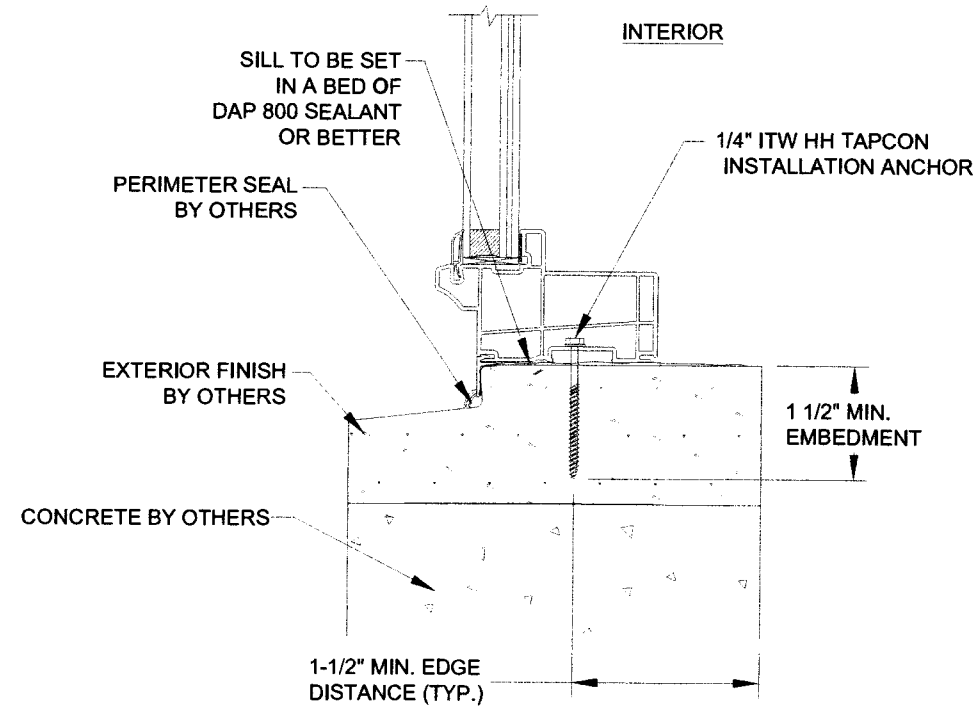
12472 LAKE
UNDERHILL RD
NO. 148
ORLANDO, FL 32828
robert.amoruso@
comcast.net

REVISIONS

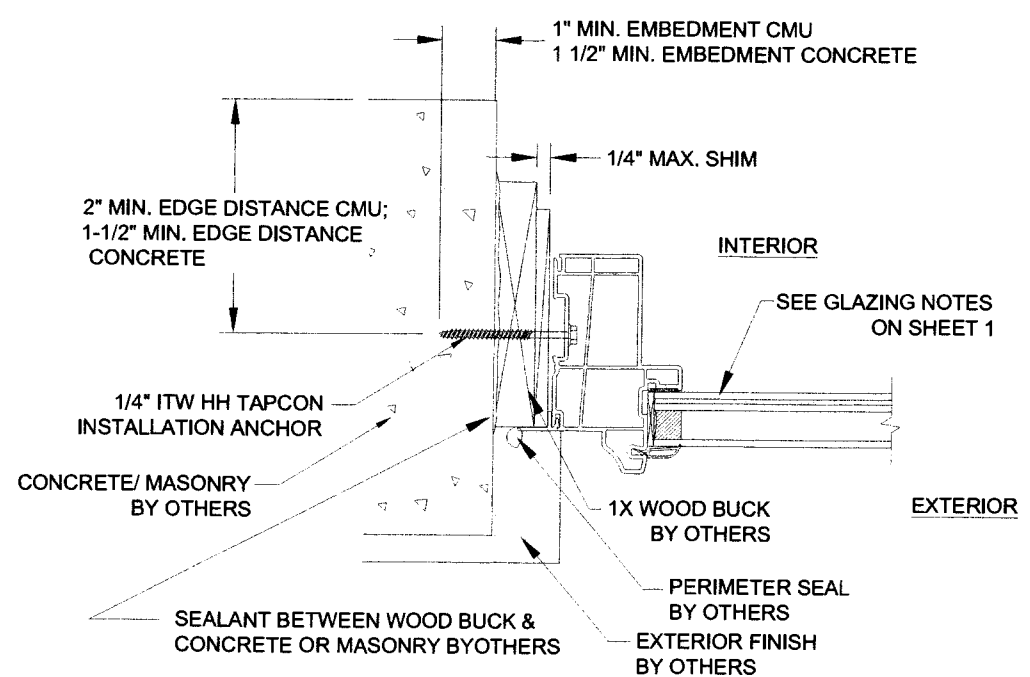
REV	DESCRIPTION	DATE	APPROVED



A
6
VERTICAL SECTION
FLANGED FRAME TYPE
CONCRETE SUBSTRATE



C
6
VERTICAL SECTION
EQUAL LEG FRAME (ALT.)
CONCRETE SUBSTRATE



B
6
HORIZONTAL SECTION
FLANGED FRAME TYPE
MASONRY/CONCRETE SUBSTRATE

VENTANA USA 6001 ENTERPRISE DRIVE EXPORT PA 15632-8969		
SERIES 4760 VINYL PICTURE WINDOW IMPACT / NON-IMPACT INSTALLATION-CONCRETE/MASONRY		
DESIGNER JRM	DWG. NO. NL-0092	SCALE NTS
DATE 05/17/2017	SHEET 6 OF 8	

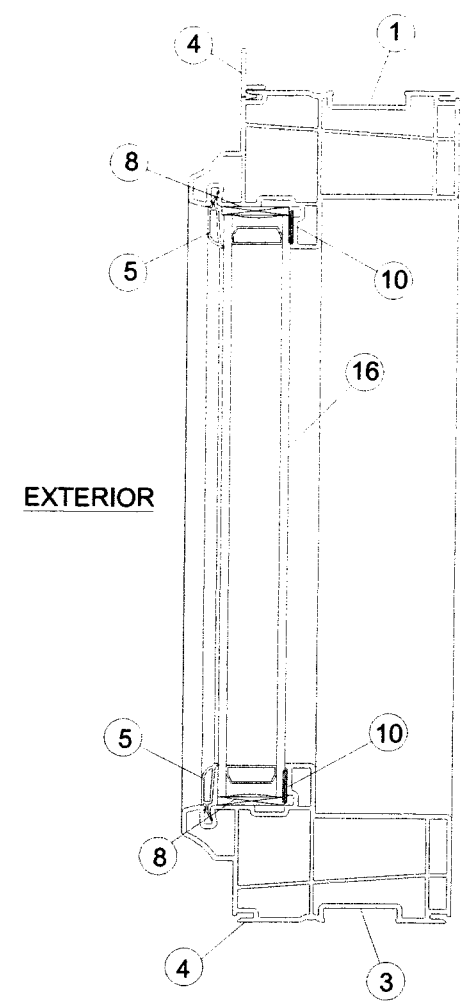
ROBERT J. AMORUSO
FL. P.E. NO. 49752



Digitally signed by
Robert J Amoruso
Date:
2017.08.01
09:02:49
-04'00'

12472 LAKE
UNDERHILL RD
NO. 148
ORLANDO, FL 32828
robert.amoruso@
comcast.net

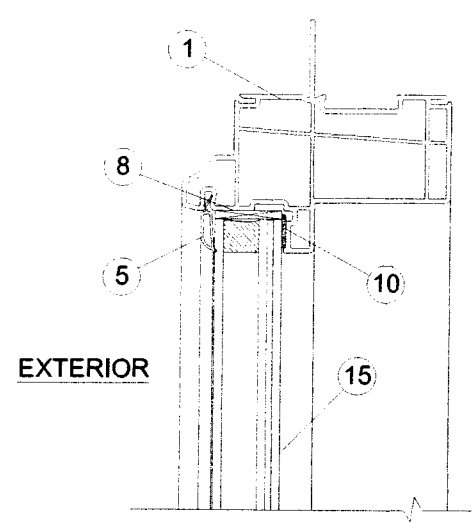
REV-SIGNS			
REV	DESCRIPTION	DATE	APPROVED



EXTERIOR

INTERIOR

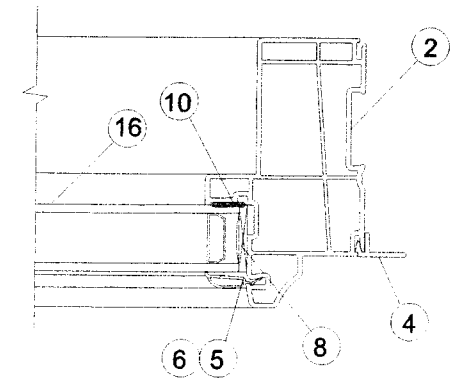
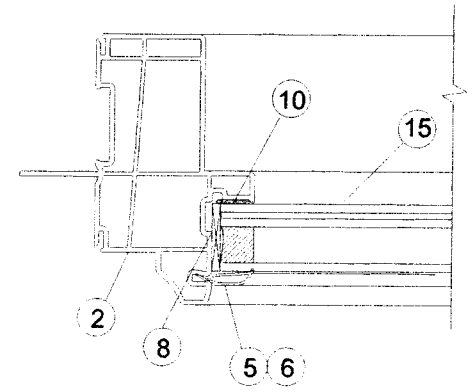
TYPICAL CROSS SECTION FOR PARTS IDENTIFICATION FLANGED FRAME



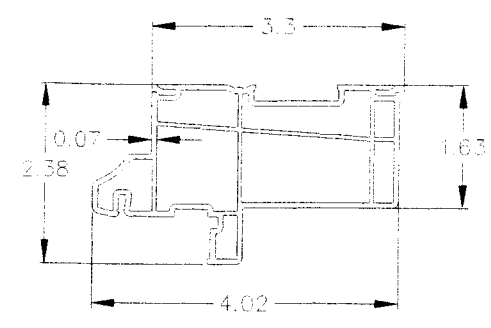
EXTERIOR

INTERIOR

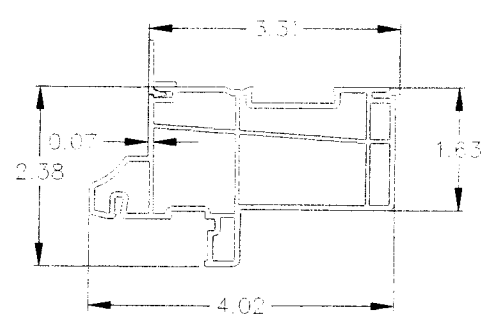
TYPICAL CROSS SECTION FOR PARTS IDENTIFICATION NAILING FIN



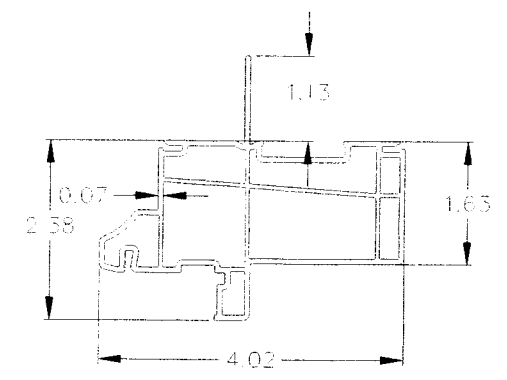
TYPICAL CROSS SECTION FOR PARTS IDENTIFICATION FLANGED/NAIL FIN



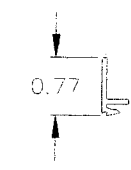
1-3 10004760 MAIN FRAME EQUAL LEG RIGID VINYL



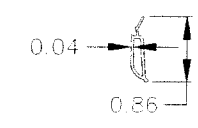
1-3 10004760 MAIN FRAME FLANGED RIGID VINYL



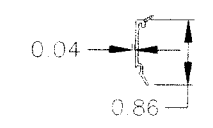
1-3 10004760 MAIN FRAME FIN RIGID VINYL



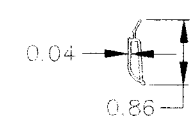
4 FLANGE ADAPTOR RIGID VINYL



5 10005465 GLAZING BEAD RIGID VINYL



6 10005144 GLAZING BEAD RIGID VINYL



7 10005457 GLAZING BEAD RIGID VINYL

VENTANA USA 6001 ENTERPRISE DRIVE EXPORT PA 15632-8969		
SERIES 4760 VINYL PICTURE WINDOW IMPACT / NON-IMPACT CROSS SECTIONS & COMPONENTS		
DRW: JRM	DWG NO: NL-0092	REV: -
SCALE: NTS	DATE: 05/17/2017	SHEET: 7 OF 8

ROBERT J. AMORUSO
FL. P.E. NO. 49752

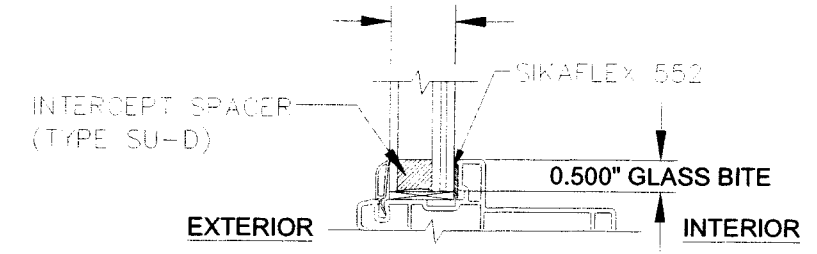
Digitally signed by Robert J Amoruso
Date: 2017.08.01 09:03:04 -04'00'

12472 LAKE UNDERHILL RD
NO. 148
ORLANDO, FL 32828
robert.amoruso@comcast.net

REVISIONS			
REV	DESCRIPTION	DATE	APPROVED

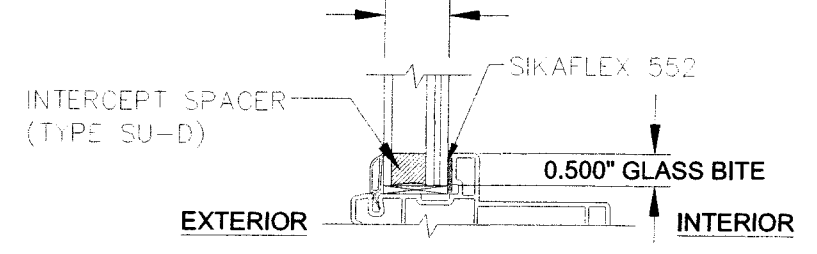
QTY.	PART NO.	DESCRIPTION	MANUFACTURER
1	10004760	MAIN FRAME HEAD, RIGID VINYL	DECEUNINCK
2	10004760	MAIN FRAME JAMB, RIGID VINYL	DECEUNINCK
3	10004760	MAIN FRAME SILL, RIGID VINYL	DECEUNINCK
4	-----	FLANGE ADAPTOR, RIGID VINYL	DECEUNINCK
5	10005465	1" I.G. LAMINATED GLAZING BEAD, RIGID VINYL	DECEUNINCK
6	10005144	1" I.G. LAMINATED GLAZING BEAD, RIGID VINYL	DECEUNINCK
7	10005457	7/8" I.G. GLAZING BEAD	DECEUNINCK
8	-----	EPDM SETTING BLOCKS	TREMCO
9	900-003	WEEP COVER, PLASTIC	CR LAWRENCE
10	552	SIKAFLEX 552, GLAZING SEALANT	SIKA
11	PURCHASE	#10 PH WOOD SCREW	-----
12	PURCHASE	#8 D RING SHANK ROOFING NAIL	-----
13	PURCHASE	#14 PH WOOD SCREW	-----
14	PURCHASE	1/4" DIAM. I.T.W. MASONRY ANCHOR	-----
15	PURCHASE	SEE GLAZING DETAILS 1 AND 2	-----
16	PURCHASE	SEE GLAZING DETAILS 3 AND 4	-----

1.00" O.A. INSULATED GLASS CONSISTING OF:
 EXT. 3/16" ANN. GLASS./ AIR-SPACER / 1/8" ANN. GLASS / 0.090"
 TROSIFOL PVB KURARAY / 1/8" ANN. GLASS INT.



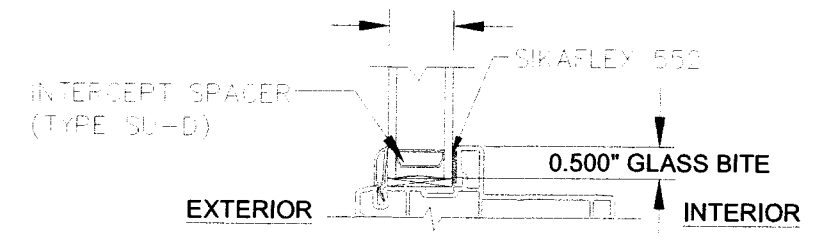
GLAZING DETAIL 1
 IMPACT RATED W/ANNEALED MONOLITHIC EXTERIOR LITE

1.00" O.A. INSULATED GLASS CONSISTING OF:
 EXT. 3/16" TEMP. GLASS./ AIR-SPACER / 1/8" ANN. GLASS / 0.090"
 TROSIFOL PVB KURARAY / 1/8" ANN. GLASS INT.



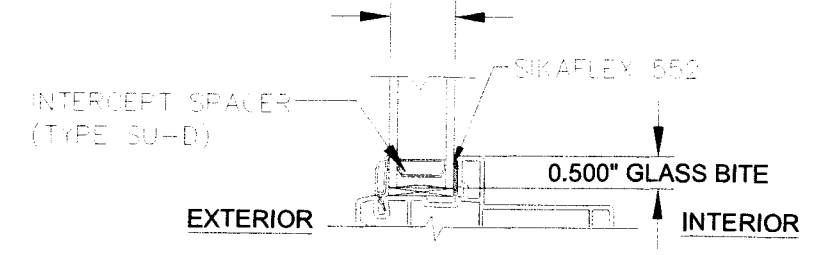
GLAZING DETAIL 2
 IMPACT RATED W/TEMPERED MONOLITHIC EXTERIOR LITE

0.875" O.A. INSULATED GLASS CONSISTING OF:
 EXT. 3/16" ANN. GLASS./ AIR-SPACER / 3/16" ANN. GLASS INT.



GLAZING DETAIL 3
 NON-IMPACT RATED W/ANNEALED
 MONOLITHIC EXTERIOR LITE

0.875" O.A. INSULATED GLASS CONSISTING OF:
 EXT. 3/16" TEMP. GLASS./ AIR-SPACER / 3/16" ANN. GLASS INT.



GLAZING DETAIL 4
 NON-IMPACT RATED W/TEMPERED
 MONOLITHIC EXTERIOR LITE

VENTANA USA 6001 ENTERPRISE DRIVE EXPORT PA 15632-8969		
SERIES 4760 VINYL PICTURE WINDOW IMPACT / NON-IMPACT B.O.M. AND GLAZING DETAILS		
DESIGNER JRM	DWG. NO. NL-0092	REV. -
SCALE NTS	DATE 05/18/2017	SHEET 8 OF 8

ROBERT J. AMORUSO
 FL. P.E. NO. 49752

Digitally signed
 by Robert J
 Amoruso
 Date:
 2017.08.01
 09:03:18 -04'00'

12472 LAKE
 UNDERHILL RD
 NO. 148
 ORLANDO, FL 32828
 robert.amoruso@
 comcast.net