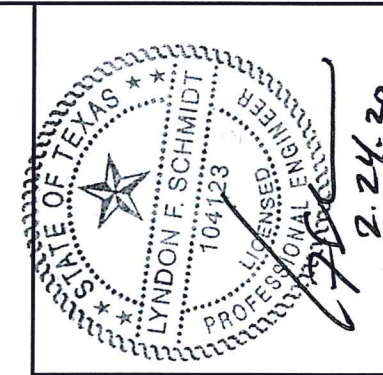
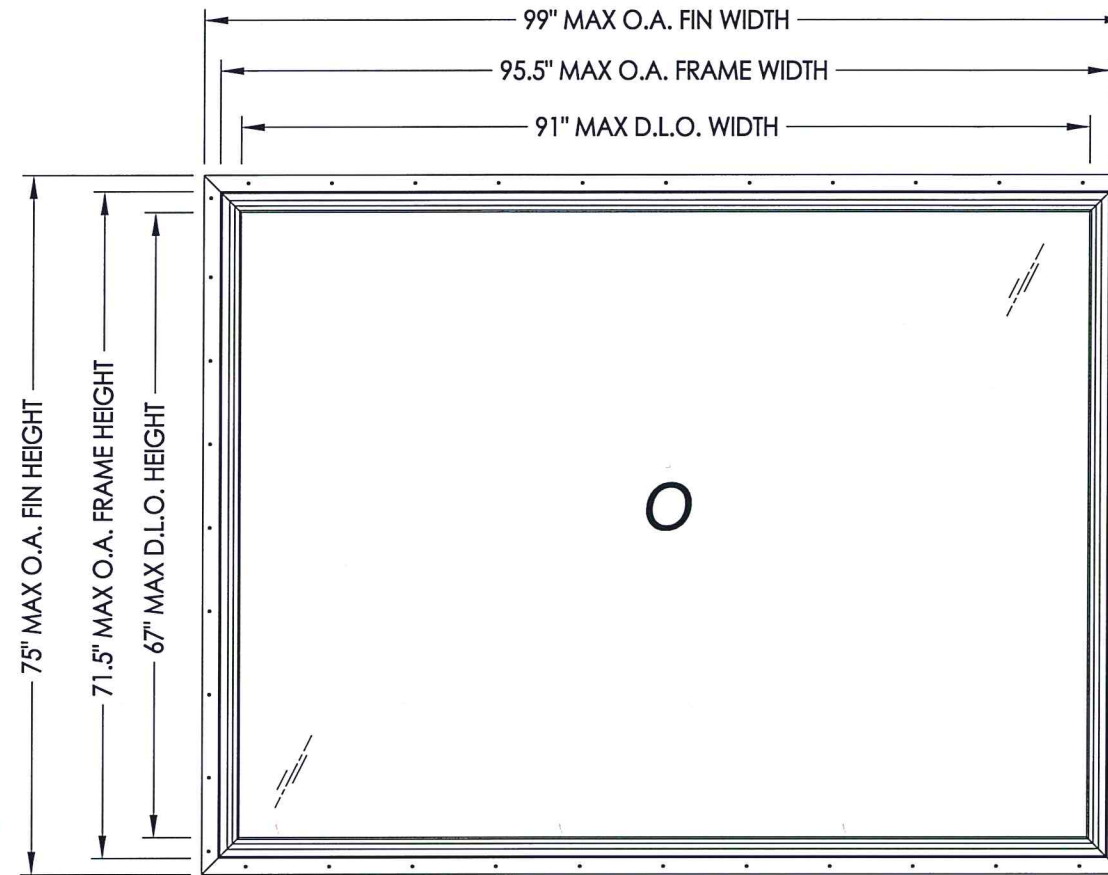


# WINCORE™

## WINDOWS & DOORS

250 Staunton Turnpike, Parkersburg, WV 26104

### 400/500 Series Vinyl Fixed Window w/ Nailing Fin "NON-IMPACT"



Documents Prepared By: Lyndon F. Schmidt, P.E.  
TEXAS P.E. #104123

**RW** BUILDING CONSULTANTS, INC.  
P.O. Box 230 Valrico FL 33595  
Phone No.: 813.659.9197

TEXAS BOARD OF PROFESSIONAL ENGINEERS  
CERTIFICATE OF REGISTRATION # F-11852

EVALUATED FOR USE IN THE STATE OF TEXAS

### TDI WIN-2126

The Wincore Fixed Window described herein complies with the 2018 International Residential Code (IRC), Sections R301 & R609 and the 2018 International Building Code (IBC), Sections 1404.13, 1609, 1709.5, 2403 and 2404 subject to the following conditions:

1. Anchors shall be as listed and spaced as shown in the details. Anchor embedment to base material shall be beyond wall dressing or stucco.
2. When used in areas requiring wind-borne debris protection this product is required to be protected with an impact resistant covering that complies with Section R301.2.1.2 of the IRC and Section 1609.1.2 of the IBC.
3. Allowable design pressure requirements must be equal to or less than the design pressure rating shown in the design pressure chart, sheet 1 of this drawing.
4. Conditions not covered by this drawing are subject to further engineering analysis.

TABLE OF CONTENTS	
SHEET#	DESCRIPTION
1	Typical elevations, design pressures and general notes
2	Cross section & frame anchoring
3	Bill of materials, components and glazing details

MAX. FRAME DIMENSION	MAX. D.L.O. DIMENSION	GLASS TYPE	DESIGN PRESSURE (PSF)	
			POSITIVE	NEGATIVE
48.0" X 36.0"	43.5" X 31.5"	G4	+50.0	-50.0
45.0" X 45.0"	40.5" X 40.5"	G4	+50.0	-50.0
60.0" X 34.0"	55.5" X 29.5"	G4	+40.0	-40.0
72.0" X 28.0"	67.5" X 23.5"	G4	+35.0	-35.0
84.0" X 24.0"	79.5" X 19.5"	G4	+30.0	-30.0
52.0" X 52.0"	47.5" X 47.5"	G3	+50.0	-50.0
63.0" X 44.0"	58.5" X 39.5"	G3	+50.0	-50.0
72.0" X 49.0"	67.5" X 44.5"	G3	+40.0	-40.0

MAX. FRAME DIMENSION	MAX. D.L.O. DIMENSION	GLASS TYPE	DESIGN PRESSURE (PSF)	
			POSITIVE	NEGATIVE
60.0" X 59.0"	55.5" X 54.5"	G3	+35.0	-35.0
84.0" X 42.0"	79.5" X 37.5"	G3	+35.0	-35.0
96.0" X 38.0"	91.5" X 33.5"	G2	+50.0	-50.0
84.0" X 58.0"	79.5" X 53.5"	G2	+50.0	-50.0
96.0" X 58.0"	91.5" X 53.5"	G2	+45.0	-45.0
77.0" X 72.0"	72.5" X 67.5"	G2	+45.0	-45.0
84.0" X 66.0"	79.5" X 61.5"	G2	+35.0	-35.0
95.5" X 71.5"	91.0" X 67.0"	G1	+35.0	-35.0

PRODUCT: 400/500 SERIES  
PART OR ASSEMBLY: TYPICAL ELEVATION, DESIGN PRESSURES & GENERAL NOTES

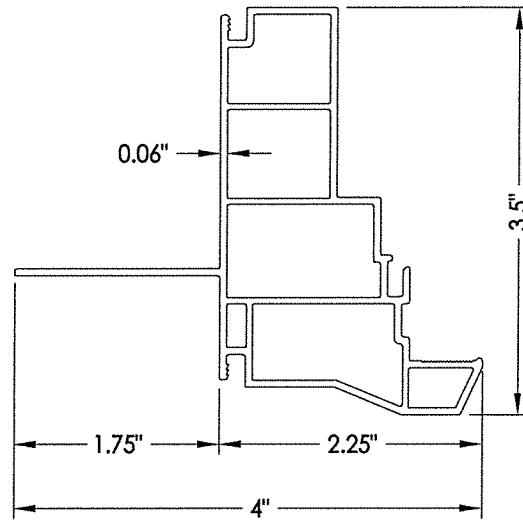
NO.	DATE	BY	REVISIONS
1	1/21/20	LFS	UPDATE TO 2018 IBC/IRC

DATE: 9/2/14  
SCALE: N.T.S.  
DWG. BY: JK  
CHK. BY: LFS  
DRAWING NO.: TX-4457  
SHEET 1 OF 3

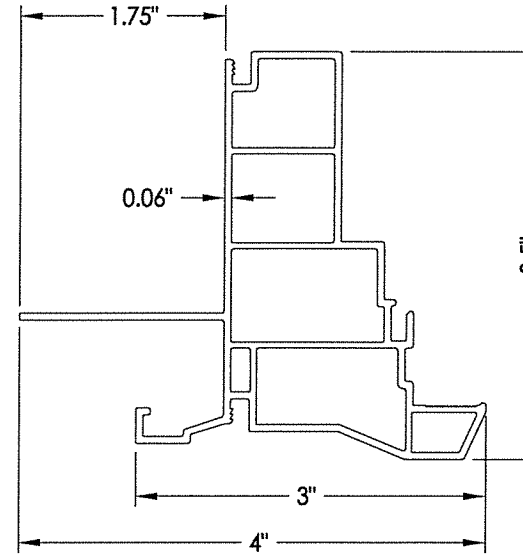


BILL OF MATERIALS		
ITEM #	DESCRIPTION	MATERIAL
B	2X FRAMING (SG >= 0.42)	WOOD
C	1/4" MAX. SHIM SPACE	-
F	#8 X 2-1/2" PPH WOOD SCREW (1-3/4" MIN. EMBEDMENT)	STEEL
1	FRAME (P15401E)*	PVC
2	FRAME (P15401)*	PVC
3	GLAZING BEAD (22841)*	PVC

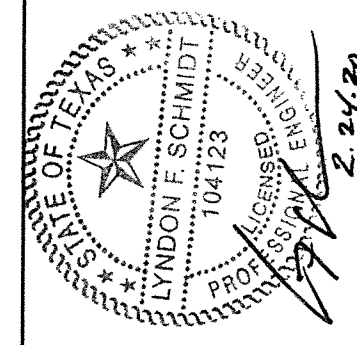
\* THE APPROVED WHITE RIGID PVC EXTERIOR EXTRUSIONS FOR WINDOWS ARE TO BE PRODUCED BY EXTRUDERS LICENSEES IN "AAMA CERTIFICATION PROGRAMS FOR RIGID PVC EXTRUSIONS".



1 FRAME (400 Series)



2 FRAME (500 Series w/ J-Channel)



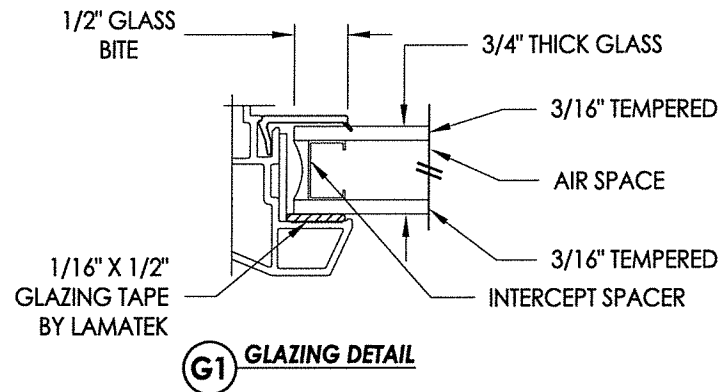
Documents Prepared By: Lyndon F. Schmidt, P.E.  
TEXAS P.E. #104123

**RW** BUILDING CONSULTANTS, INC.  
P.O. Box 230 Valrico FL 33595  
Phone No.: 813.659.9197  
TEXAS BOARD OF PROFESSIONAL ENGINEERS  
CERTIFICATE OF REGISTRATION # F-11852

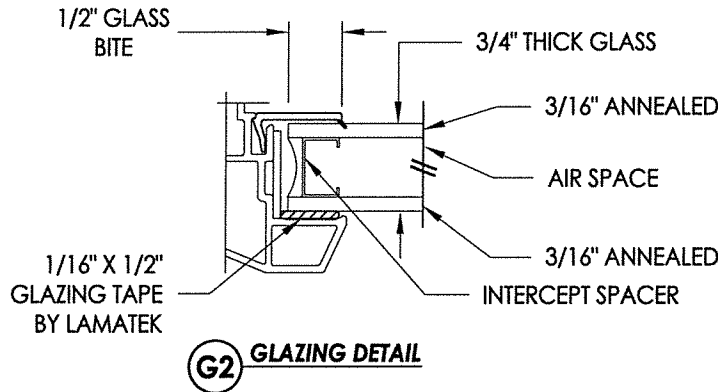
PRODUCT: 400/500 SERIES  
PART OR ASSEMBLY: BILL OF MATERIALS, COMPONENTS AND GLAZING DETAILS

REVISIONS	
NO.	DATE
1	1/21/20
	UPDATE TO 2018 IBC/IRC
LFS	BY

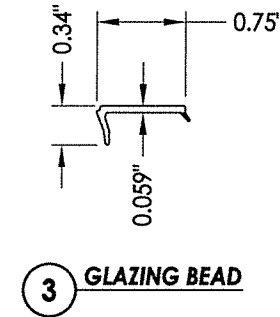
DATE: 9/2/14  
SCALE: N.T.S.  
DWG. BY: JK  
CHK. BY: LFS  
DRAWING NO.: TX-4457  
SHEET 3 OF 3



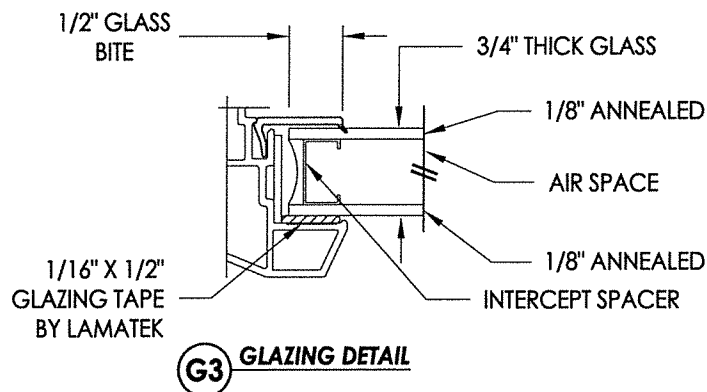
G1 GLAZING DETAIL



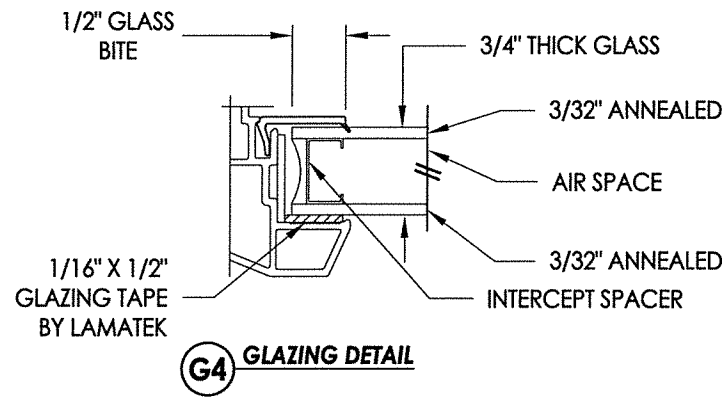
G2 GLAZING DETAIL



3 GLAZING BEAD



G3 GLAZING DETAIL



G4 GLAZING DETAIL