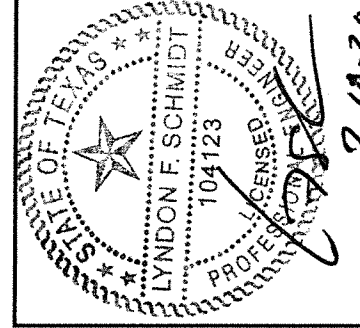
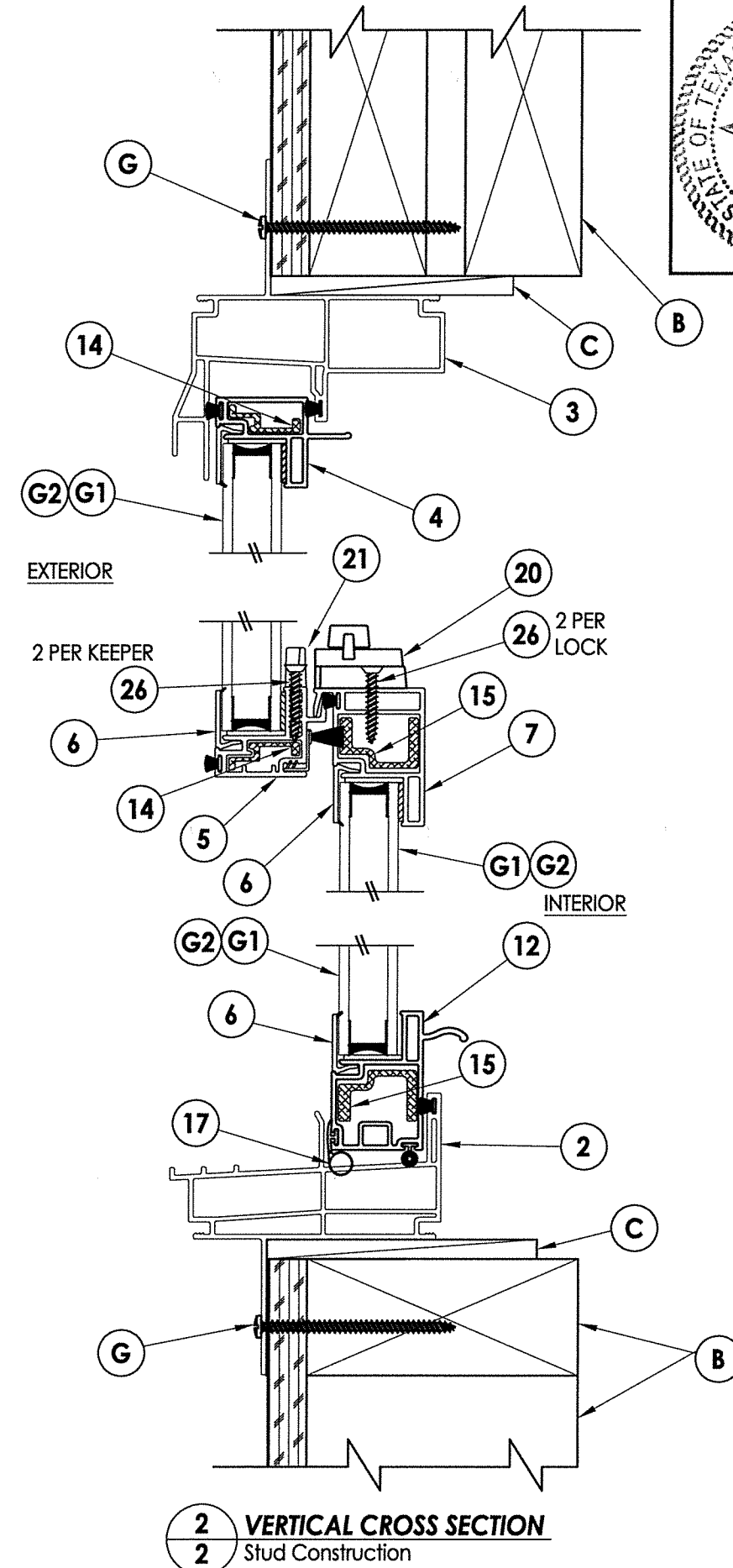
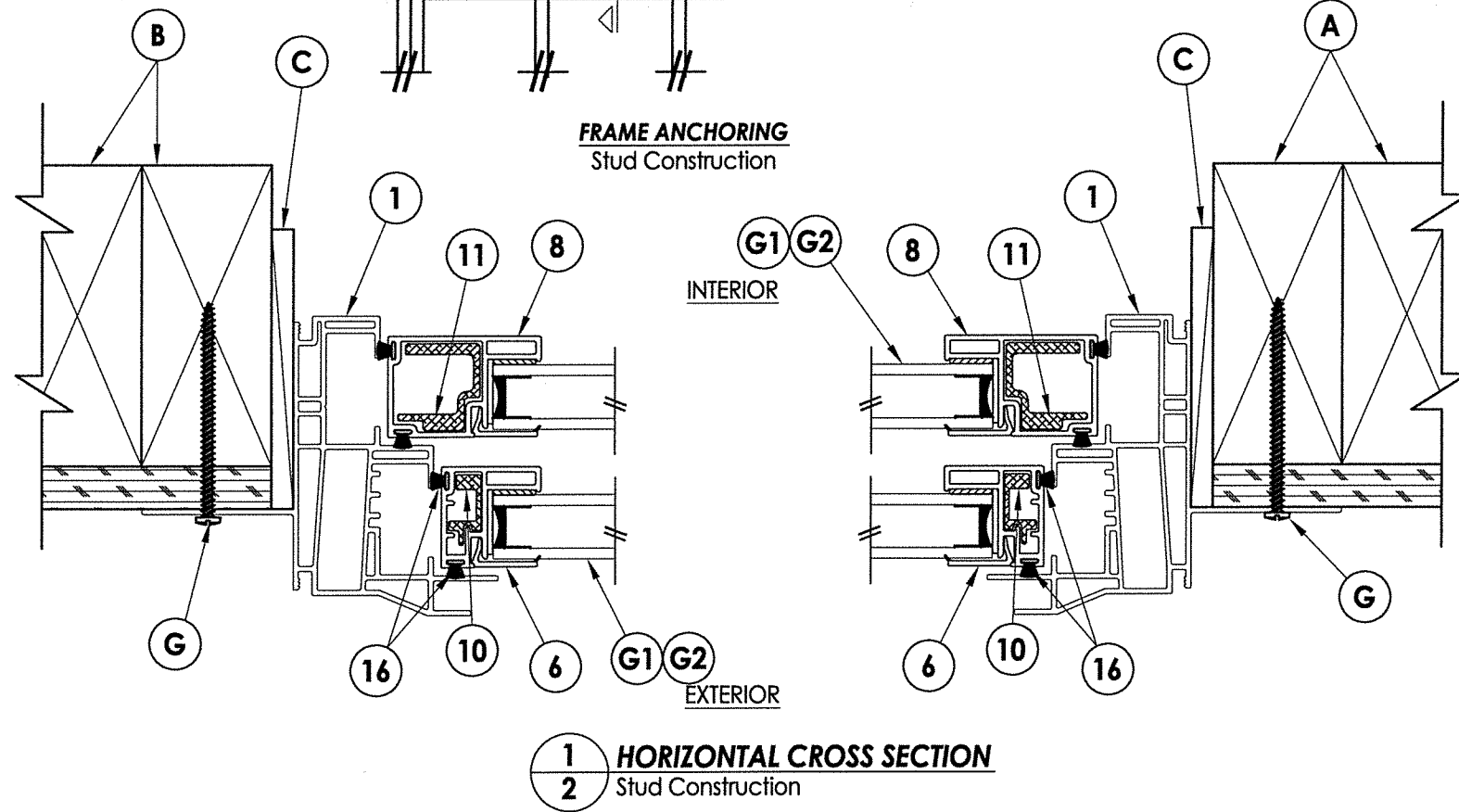
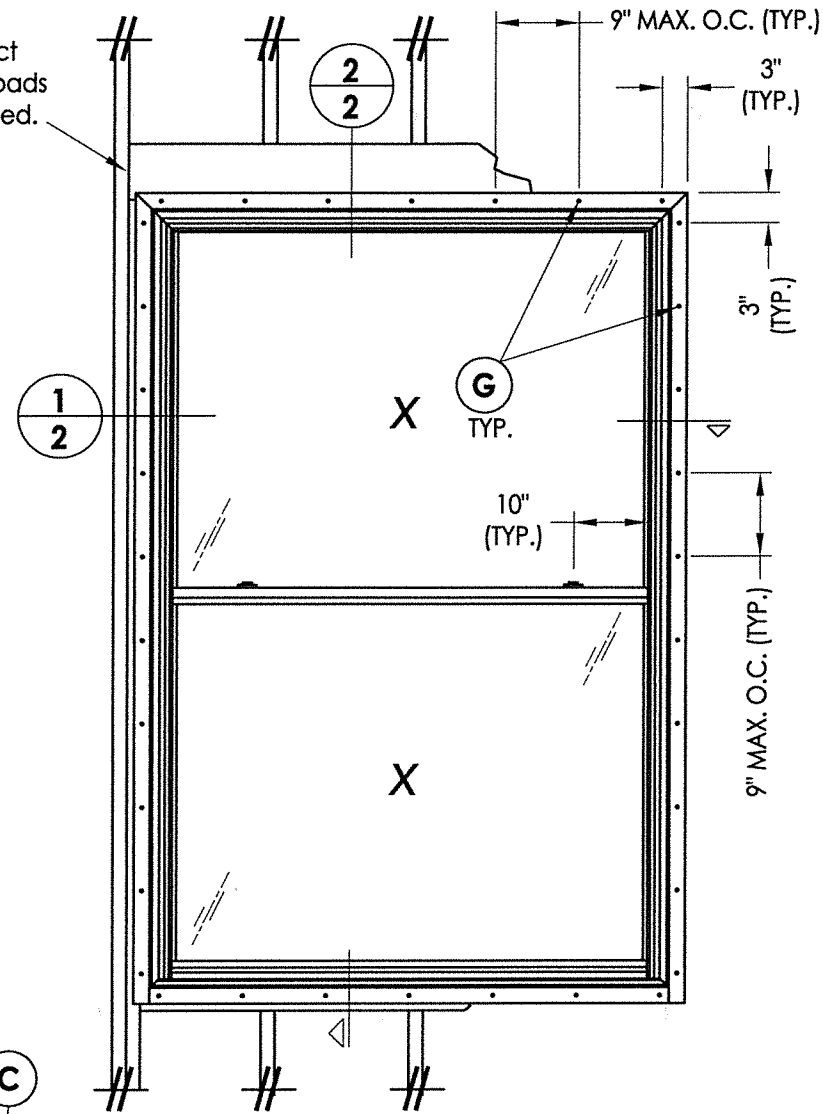




2x framing to be designed by the engineer or architect of record based on wind loads and the cladding being used.



Documents Prepared By: Lyndon F. Schmidt, P.E.  
TEXAS P.E. #104123

**RW** BUILDING CONSULTANTS, INC.  
P.O. Box 230 Valrico FL 33595  
Phone No.: 813.659.9197  
TEXAS BOARD OF PROFESSIONAL ENGINEERS  
CERTIFICATE OF REGISTRATION # F-11852

PRODUCT: 400 SERIES Vinyl Double Hung Window  
PART OR ASSEMBLY: VERTICAL & HORIZONTAL CROSS SECTIONS & FRAME ANCHORING

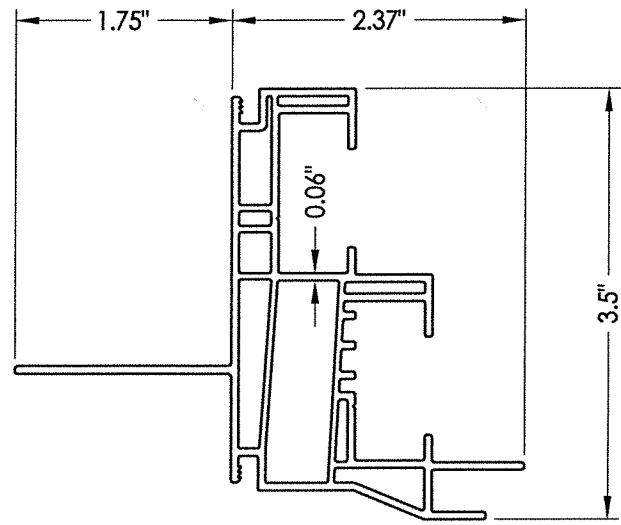
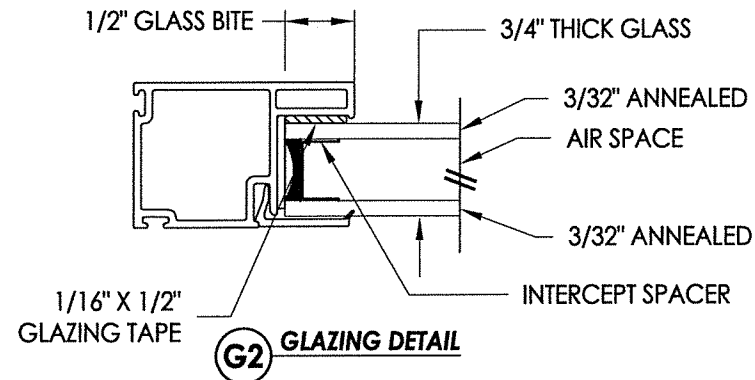
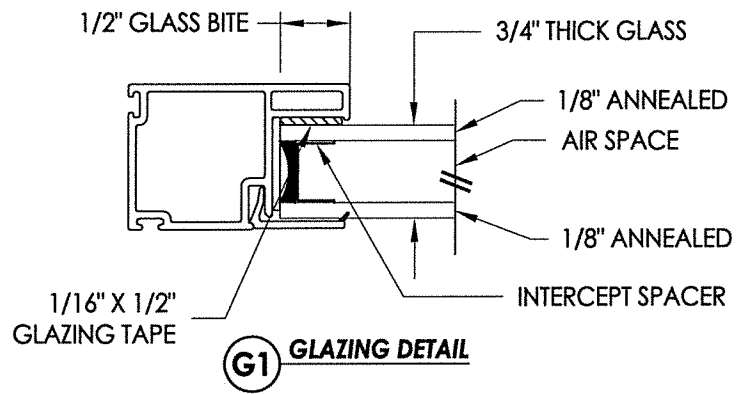
NO.	DATE	REVISIONS
2	1/20/20	UPDATE TO 2018 IBC/IRC
1	2/09/16	ADD NEW FRAME SIZES

DATE: 8/14/13  
SCALE: N.T.S.  
DWG. BY: JK  
CHK. BY: LFS  
DRAWING NO.: TX-4344  
SHEET 2 OF 3

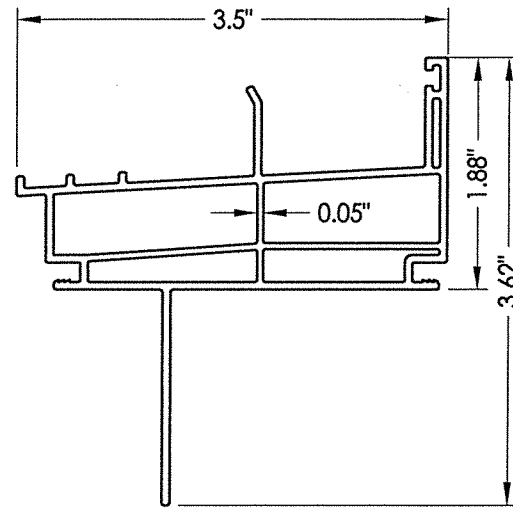
R:\Clients\Wincore PERMANENT\B - Texas Dept of Ins\Double Hung\WIN 1898 - Series 400.500\C - Drawings\2018 IBC UPDATE\TX-4344.dwg, 3.1

BILL OF MATERIALS		
ITEM #	DESCRIPTION	MATERIAL
B	2X FRAMING (G >= 0.42)	WOOD
C	1/4" MAX. SHIM SPACE	-
G	#8 X 2-1/2" PPH WOOD SCREW	STEEL
1	FRAME JAMB*	PVC
2	SILL*	PVC
3	FRAME HEAD*	PVC
4	TOP RAIL UPPER SASH*	PVC
5	KEEPER RAIL UPPER SASH*	PVC
6	GLAZING BEAD*	PVC
7	LOCK RAIL LOWER SASH*	PVC
8	LOWER SASH STILE*	PVC
10	REINFORCEMENT (6005-T5) ALUM	ALUM
11	REINFORCEMENT (6005-T5) ALUM	ALUM
12	BOTTOM RAIL LOWER SASH*	PVC
14	REINFORCEMENT (6005-T5) ALUM	ALUM
15	REINFORCEMENT (6005-T5) ALUM	ALUM
16	WEATHERSTRIP ULTRA FAB .270 PILE - 270 -1875B	-
17	WEATHERSTRIP SILLBULB (AMESBURY 32690)	-
20	LOCK	-
21	KEEPER	-
26	#8 X 1" TEK SCREW	STEEL

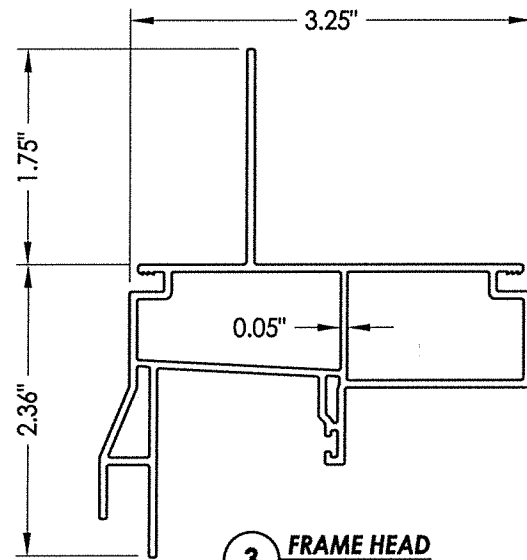
\* THE APPROVED WHITE RIGID PVC EXTERIOR EXTRUSIONS FOR WINDOWS ARE TO BE PRODUCED BY EXTRUDERS LICENSEES IN "AAMA CERTIFICATION PROGRAMS FOR RIGID PVC EXTRUSIONS".



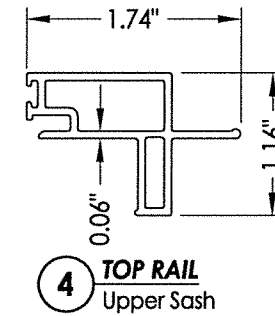
**1 FRAME JAMB**



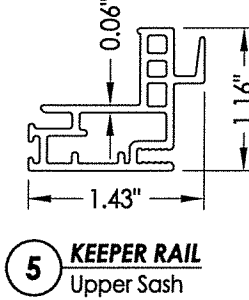
**2 FRAME SILL**



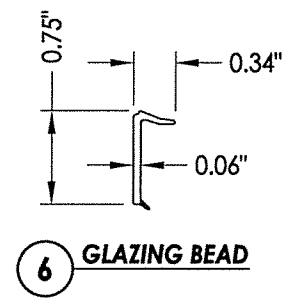
**3 FRAME HEAD**



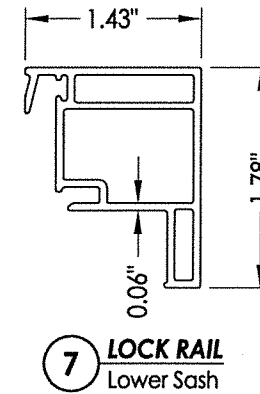
**4 TOP RAIL Upper Sash**



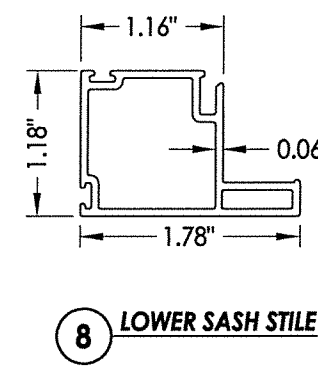
**5 KEEPER RAIL Upper Sash**



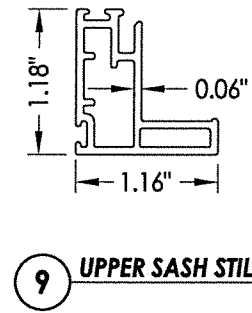
**6 GLAZING BEAD**



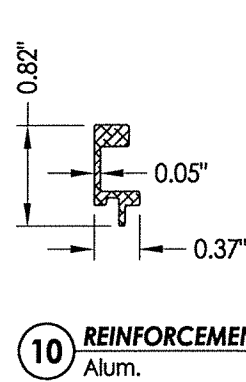
**7 LOCK RAIL Lower Sash**



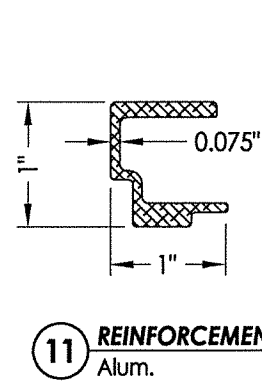
**8 LOWER SASH STILE**



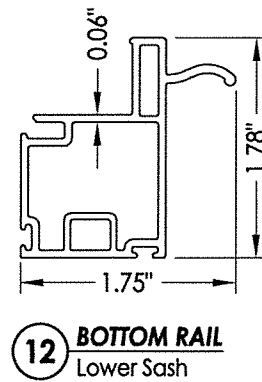
**9 UPPER SASH STILE**



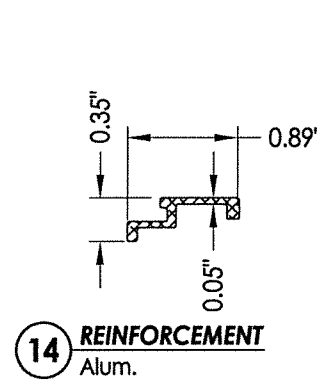
**10 REINFORCEMENT Alum.**



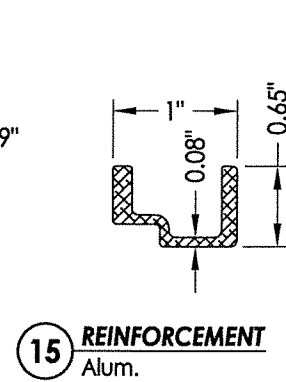
**11 REINFORCEMENT Alum.**



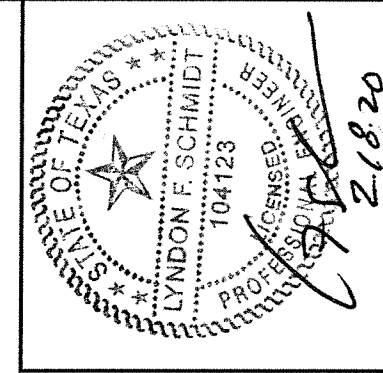
**12 BOTTOM RAIL Lower Sash**



**14 REINFORCEMENT Alum.**



**15 REINFORCEMENT Alum.**



Documents Prepared By: Lyndon F. Schmidt, P.E.  
TEXAS P.E. #104123

**RW** BUILDING CONSULTANTS, INC.  
P.O. Box 230 Valrico FL 33595  
Phone No.: 813.659.9197  
TEXAS BOARD OF PROFESSIONAL ENGINEERS  
CERTIFICATE OF REGISTRATION # F-11852

PRODUCT:		400 SERIES Vinyl Double Hung Window	
PART OR ASSEMBLY:		COMPONENTS	
NO.	DATE	BY	REVISIONS
2	1/20/20	LFS	UPDATE TO 2018 IBC/IRC
1	2/09/16	LFS	ADD NEW FRAME SIZES
DATE:		8/14/13	
SCALE:		N.T.S.	
DWG. BY:		JK	
CHK. BY:		LFS	
DRAWING NO.:		TX-4344	
SHEET		3 OF 3	

© 2013 R.W. BUILDING CONSULTANTS INC.