

REVISIONS			
REV	DESCRIPTION	DATE	APPROVED
B	REVISED PER NEW CODE	11/15/2021	R.L.

NOTES:

1. THE PRODUCT SHOWN HEREIN IS DESIGNED AND MANUFACTURED TO COMPLY WITH REQUIREMENTS OF THE 2018 IBC AND 2018 IRC.
2. WOOD FRAMING AND MASONRY OPENING TO BE DESIGNED AND ANCHORED TO PROPERLY TRANSFER ALL LOADS TO STRUCTURE. FRAMING AND MASONRY OPENING IS THE RESPONSIBILITY OF THE ARCHITECT OR ENGINEER OF RECORD.
3. 1X BUCK OVER MASONRY/CONCRETE IS OPTIONAL. WHERE 1X BUCK IS NOT USED DISSIMILAR MATERIALS MUST BE SEPARATED WITH APPROVED COATING OR MEMBRANE. SELECTION OF COATING OR MEMBRANE IS THE RESPONSIBILITY OF THE ARCHITECT OR ENGINEER OF RECORD.
4. ALLOWABLE STRESS INCREASE OF 1/3 WAS NOT USED IN THE DESIGN OF THE PRODUCT SHOWN HEREIN. WIND LOAD DURATION FACTOR Cd=1.6 WAS USED FOR WOOD ANCHOR CALCULATIONS.
5. FRAME MATERIAL: EXTRUDED RIGID PVC.
6. UNITS MUST BE GLAZED PER ASTM E1300, SEE SHEET 2 FOR GLASS DETAILS.
7. APPROVED IMPACT PROTECTIVE SYSTEM IS NOT REQUIRED FOR THIS PRODUCT IN WIND BORNE DEBRIS REGIONS.
8. SHIM AS REQUIRED AT EACH INSTALLATION ANCHOR WITH LOAD BEARING SHIM. SHIM WHERE SPACE OF 1/16" OR GREATER OCCURS. MAXIMUM ALLOWABLE SHIM STACK TO BE 1/4".
9. FOR ANCHORING INTO WOOD FRAMING OR 2X BUCK USE #10 WOOD SCREWS WITH SUFFICIENT LENGTH TO ACHIEVE A 1 1/4" MINIMUM EMBEDMENT INTO SUBSTRATE. LOCATE ANCHORS AS SHOWN IN ELEVATIONS AND INSTALLATION DETAILS.
10. FOR ANCHORING INTO MASONRY/CONCRETE USE 3/16" TAPCONS WITH SUFFICIENT LENGTH TO ACHIEVE A 1 1/4" MINIMUM EMBEDMENT INTO SUBSTRATE WITH 2" MINIMUM EDGE DISTANCE. LOCATE ANCHORS AS SHOWN IN ELEVATIONS AND INSTALLATION DETAILS.
11. FOR ANCHORING INTO METAL STRUCTURE USE #10 SMS OR SELF DRILLING SCREWS WITH SUFFICIENT LENGTH TO ACHIEVE 3 THREADS MINIMUM BEYOND STRUCTURE INTERIOR WALL. LOCATE ANCHORS AS SHOWN IN ELEVATIONS AND INSTALLATION DETAILS.
12. ALL FASTENERS TO BE CORROSION RESISTANT.
13. INSTALLATION ANCHORS SHALL BE INSTALLED IN ACCORDANCE WITH ANCHOR MANUFACTURER'S INSTALLATION INSTRUCTIONS AND ANCHORS SHALL NOT BE USED IN SUBSTRATES WITH STRENGTHS LESS THAN THE MINIMUM STRENGTH SPECIFIED BELOW:
  - A. WOOD – MINIMUM SPECIFIC GRAVITY OF G=0.42
  - B. CONCRETE – MINIMUM COMPRESSIVE STRENGTH OF 3,192 PSI.
  - C. MASONRY – STRENGTH CONFORMANCE TO ASTM C-90, GRADE N, TYPE 1 (OR GREATER).
  - D. METAL STRUCTURE: STEEL 18GA, 33KSI OR ALUMINUM 6063-T5 1/8" THICK MINIMUM

TABLE OF CONTENTS	
SHEET NO.	DESCRIPTION
1	NOTES
2	ELEVATION AND GLAZING DETAIL
3 – 6	INSTALLATION DETAILS

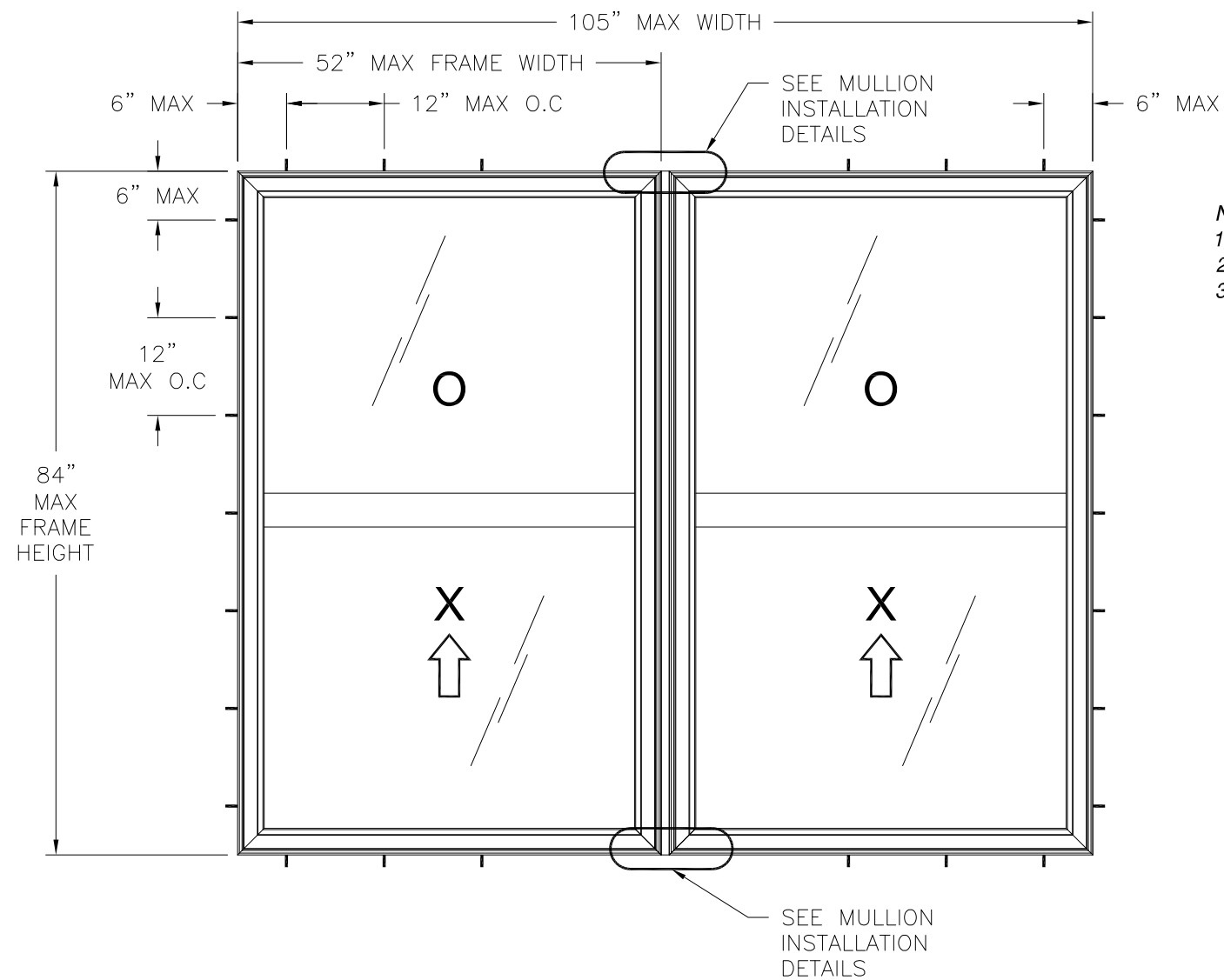
<b>REGENCY PLUS, INC.</b> 2000 LOCUST GAP HIGHWAY MT. CARMEL, PA 17851		
SERIES 6512 VINYL MULLED TILT SH WINDOW 105" X 84" – IMPACT NOTES		
DRAWN: V.L.	DWG NO. 08-01712	REV B
SCALE NTS	DATE 09/17/12	SHEET 1 OF 6
L. ROBERTO LOMAS P.E. 1432 WOODFORD RD LEWISVILLE, NC 27023 434-688-0609 rllomas@rlomaspe.com		

SIGNED: 11/15/2021

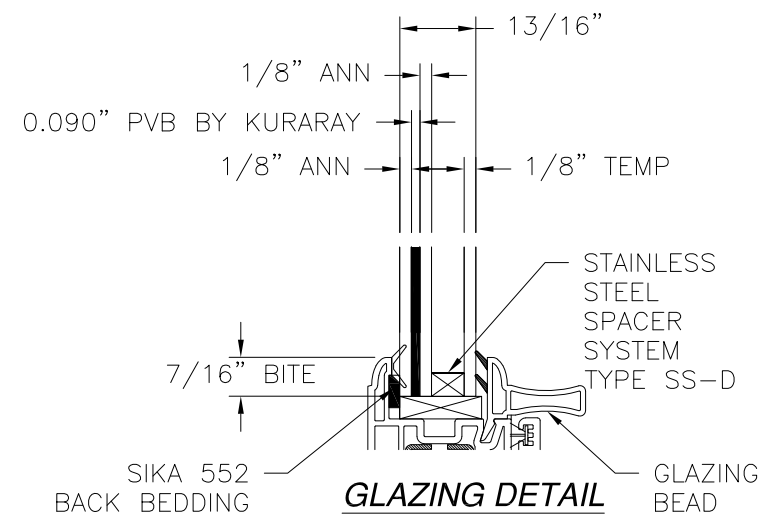


Luis R. Lomas P.E.  
TX No.: 101889

REVISIONS			
REV	DESCRIPTION	DATE	APPROVED
B	REVISED PER NEW CODE	11/15/2021	R.L.



- NOTES:**
1. MAXIMUM SASH SIZE: 49" X 40 1/8"
  2. MAXIMUM SASH D.L.O.: 45 3/4" X 36 7/8"
  3. MAXIMUM FIXED LITE D.L.O.: 46 1/4" X 37 5/8"



**SERIES 6512 VINYL DOUBLE HUNG WINDOW**  
EXTERIOR VIEW

DESIGN PRESSURE RATING	IMPACT RATING
+45.0/-50.0PSF	LARGE AND SMALL MISSILE IMPACT

MISSILE LEVEL D, WIND ZONE 4

SIGNED: 11/15/2021

**REGENCY PLUS, INC.**

2000 LOCUST GAP HIGHWAY  
MT. CARMEL, PA 17851

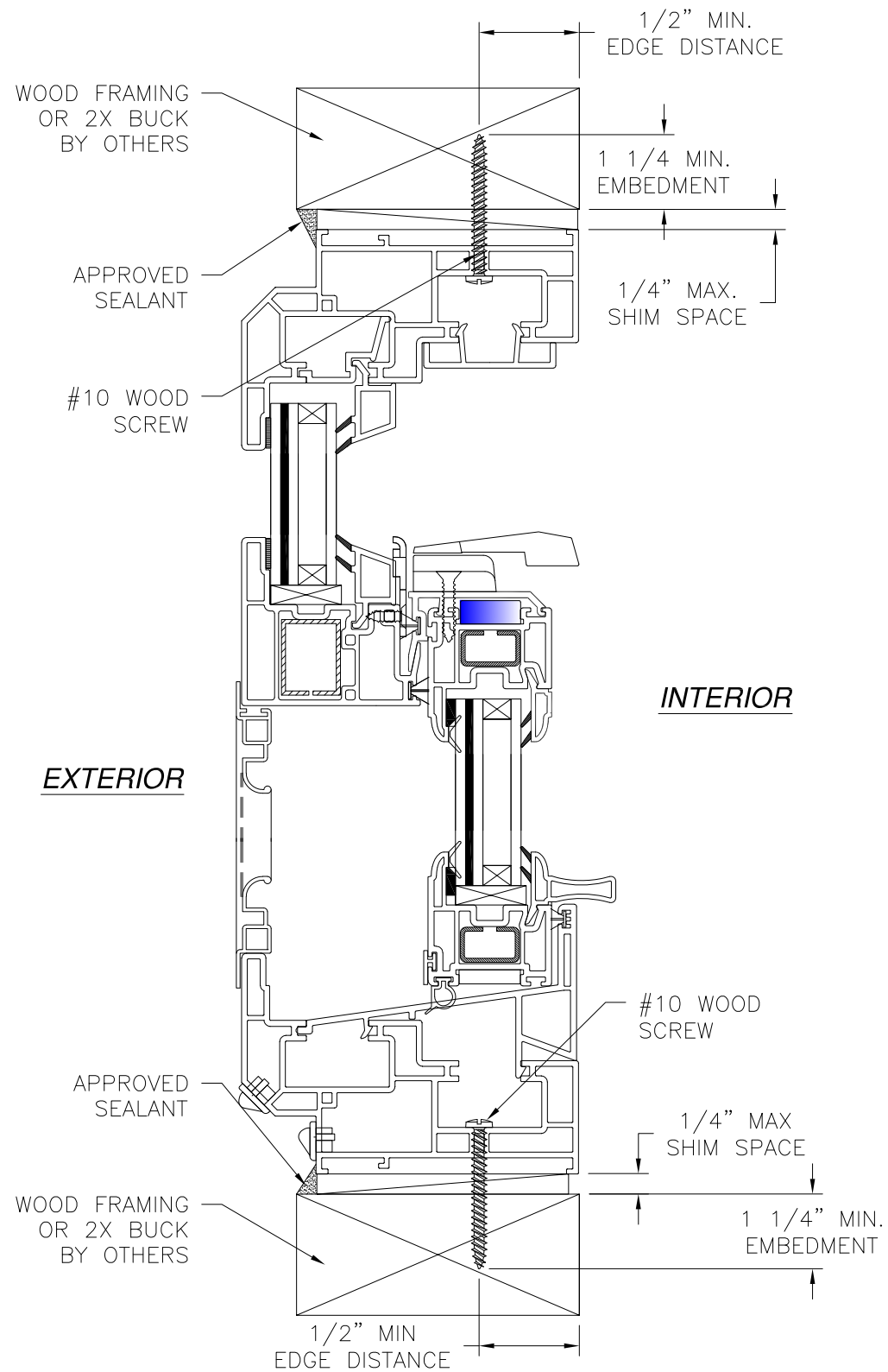
SERIES 6512 VINYL MULLED TILT SH WINDOW  
105" X 84" - IMPACT  
ELEVATION AND GLAZING DETAIL

DRAWN: V.L.	DWG NO. 08-01712	REV B
SCALE NTS	DATE 09/17/12	SHEET 2 OF 6

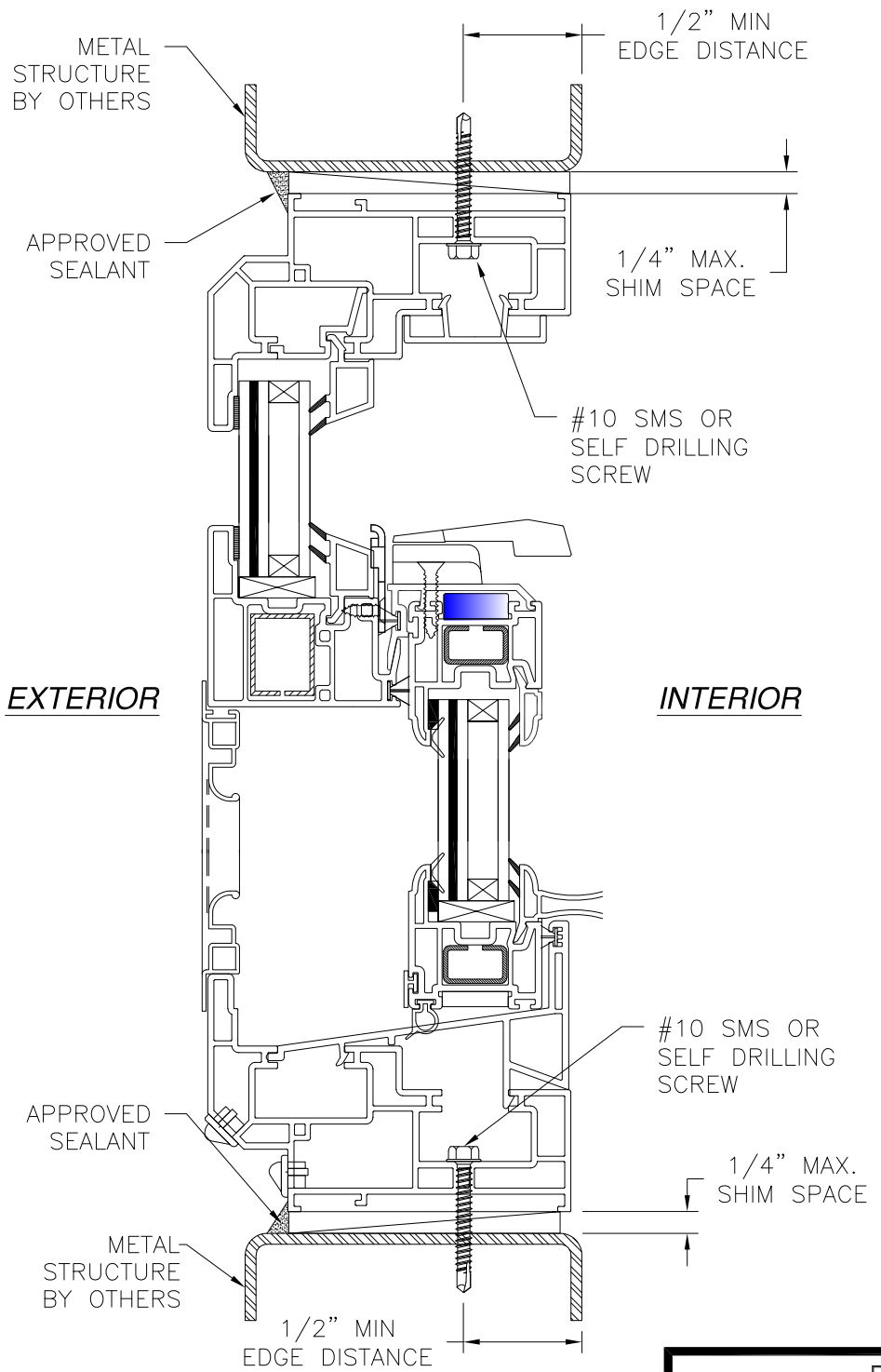
L. ROBERTO LOMAS P.E.  
1432 WOODFORD RD LEWISVILLE, NC 27023  
434-688-0609 rllomas@rlomaspe.com



Luis R. Lomas P.E.  
TX No.: 101889



**VERTICAL CROSS SECTION**  
WOOD FRAMING OR 2X BUCK INSTALLATION



**VERTICAL CROSS SECTION**  
METAL STRUCTURE INSTALLATION

REVISIONS			
REV	DESCRIPTION	DATE	APPROVED
B	REVISED PER NEW CODE	11/15/2021	R.L.

- NOTES:**
1. INTERIOR AND EXTERIOR FINISHES, BY OTHERS, NOT SHOWN FOR CLARITY.
  2. PERIMETER AND JOINT SEALANT BY OTHERS TO BE DESIGNED IN ACCORDANCE WITH ASTM E2112

**REGENCY PLUS, INC.**  
2000 LOCUST GAP HIGHWAY  
MT. CARMEL, PA 17851

SERIES 6512 VINYL MULLED TILT SH WINDOW  
105" X 84" - IMPACT  
INSTALLATION DETAILS

DRAWN: V.L.	DWG NO. 08-01712	REV B
SCALE NTS	DATE 09/17/12	SHEET 3 OF 6

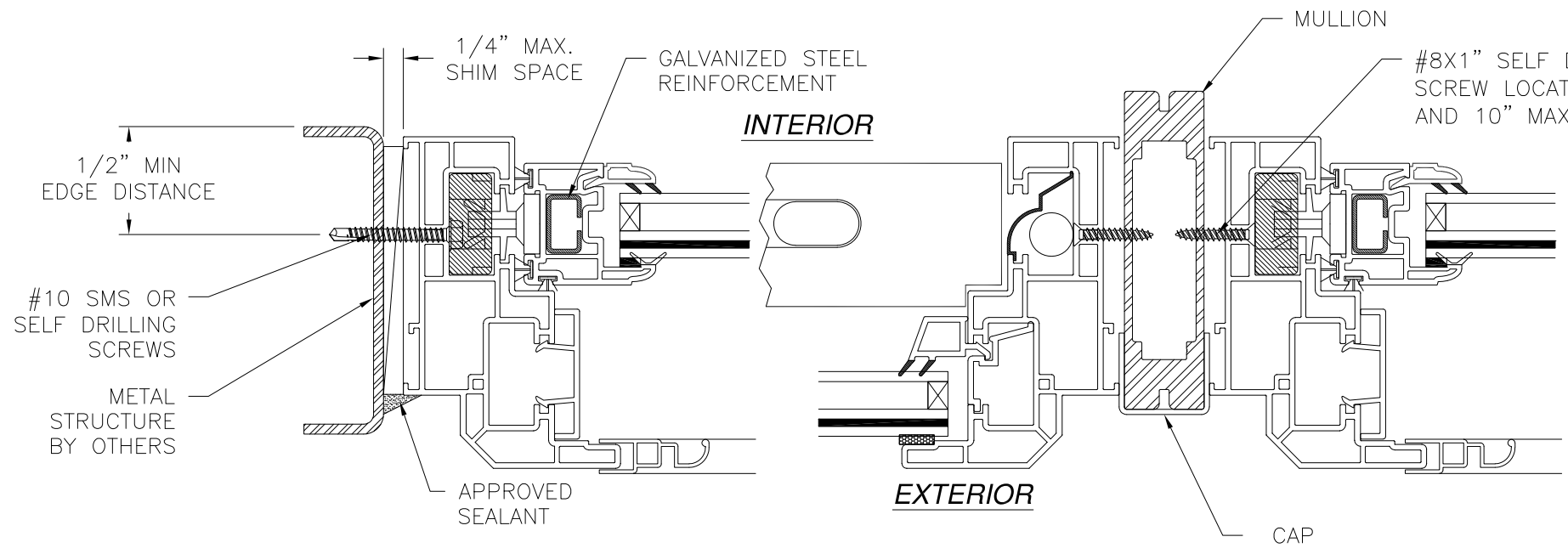
L. ROBERTO LOMAS P.E.  
1432 WOODFORD RD LEWISVILLE, NC 27023  
434-688-0609 rllomas@rlomaspe.com

SIGNED: 11/15/2021

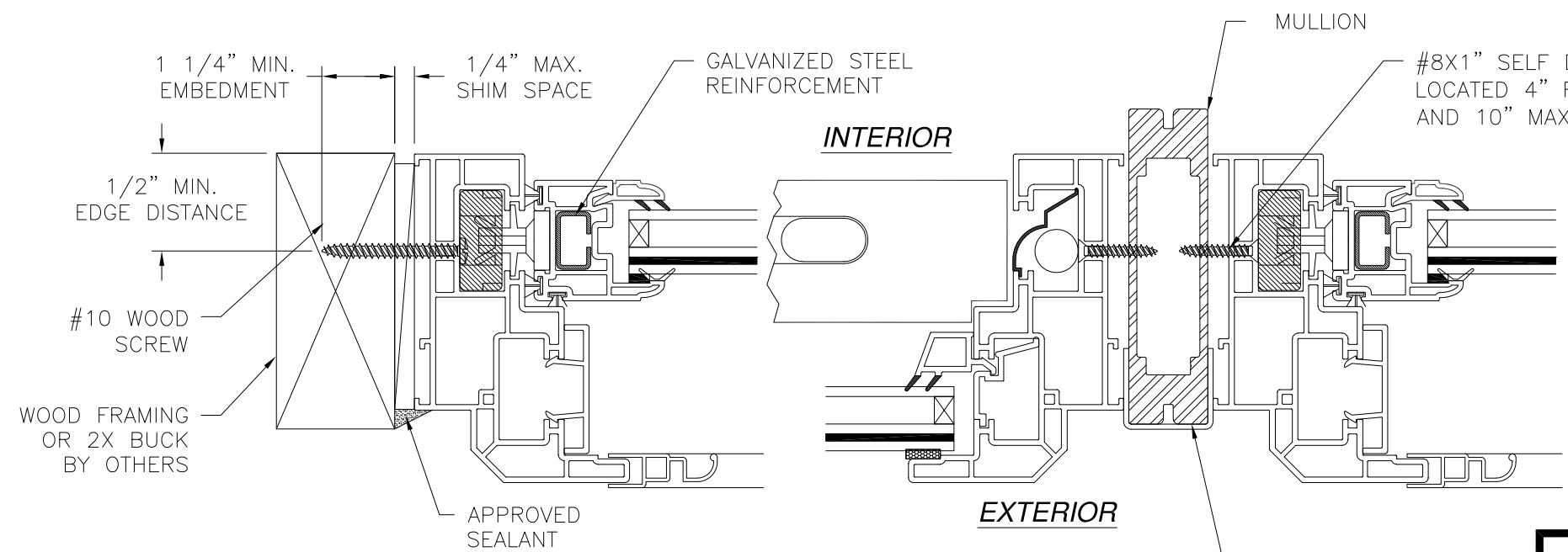


Luis R. Lomas P.E.  
TX No.: 101889

REVISIONS			
REV	DESCRIPTION	DATE	APPROVED
B	REVISED PER NEW CODE	11/15/2021	R.L.



**JAMB INSTALLATION DETAIL**  
METAL STRUCTURE INSTALLATION



**JAMB INSTALLATION DETAIL**  
WOOD FRAMING OR 2X BUCK INSTALLATION

- NOTES:**
1. INTERIOR AND EXTERIOR FINISHES, BY OTHERS, NOT SHOWN FOR CLARITY.
  2. PERIMETER AND JOINT SEALANT BY OTHERS TO BE DESIGNED IN ACCORDANCE WITH ASTM E2112

**REGENCY PLUS, INC.**  
2000 LOCUST GAP HIGHWAY  
MT. CARMEL, PA 17851

SERIES 6512 VINYL MULLED TILT SH WINDOW  
105" X 84" - IMPACT  
INSTALLATION DETAILS

DRAWN: V.L.	DWG NO. 08-01712	REV B
SCALE NTS	DATE 09/17/12	SHEET 4 OF 6

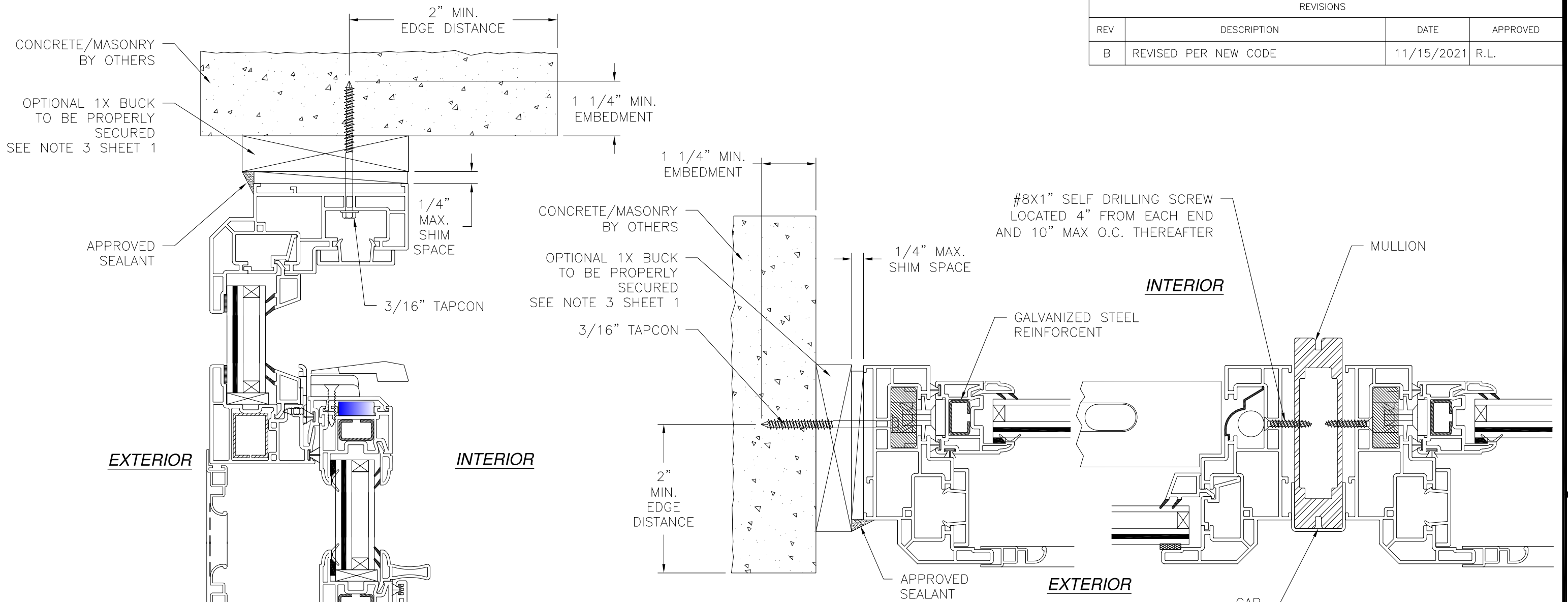
L. ROBERTO LOMAS P.E.  
1432 WOODFORD RD LEWISVILLE, NC 27023  
434-688-0609 rllomas@rlomaspe.com

SIGNED: 11/15/2021



Luis R. Lomas P.E.  
TX No.: 101889

REVISIONS			
REV	DESCRIPTION	DATE	APPROVED
B	REVISED PER NEW CODE	11/15/2021	R.L.



**JAMB INSTALLATION DETAIL**  
CONCRETE/MASONRY INSTALLATION

**VERTICAL CROSS SECTION**  
CONCRETE/MASONRY INSTALLATION

**NOTES:**

1. INTERIOR AND EXTERIOR FINISHES, BY OTHERS, NOT SHOWN FOR CLARITY.
2. PERIMETER AND JOINT SEALANT BY OTHERS TO BE DESIGNED IN ACCORDANCE WITH ASTM E2112

SIGNED: 11/15/2021

REGENCY PLUS, INC.  
2000 LOCUST GAP HIGHWAY  
MT. CARMEL, PA 17851

SERIES 6512 VINYL MULLED TILT SH WINDOW  
105" X 84" - IMPACT  
INSTALLATION DETAILS

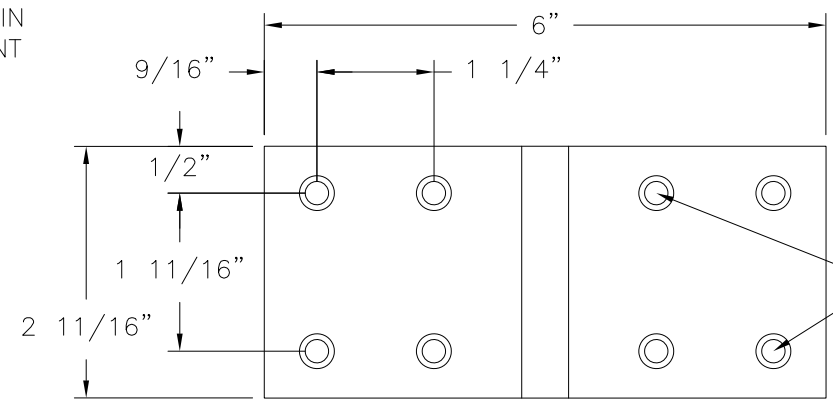
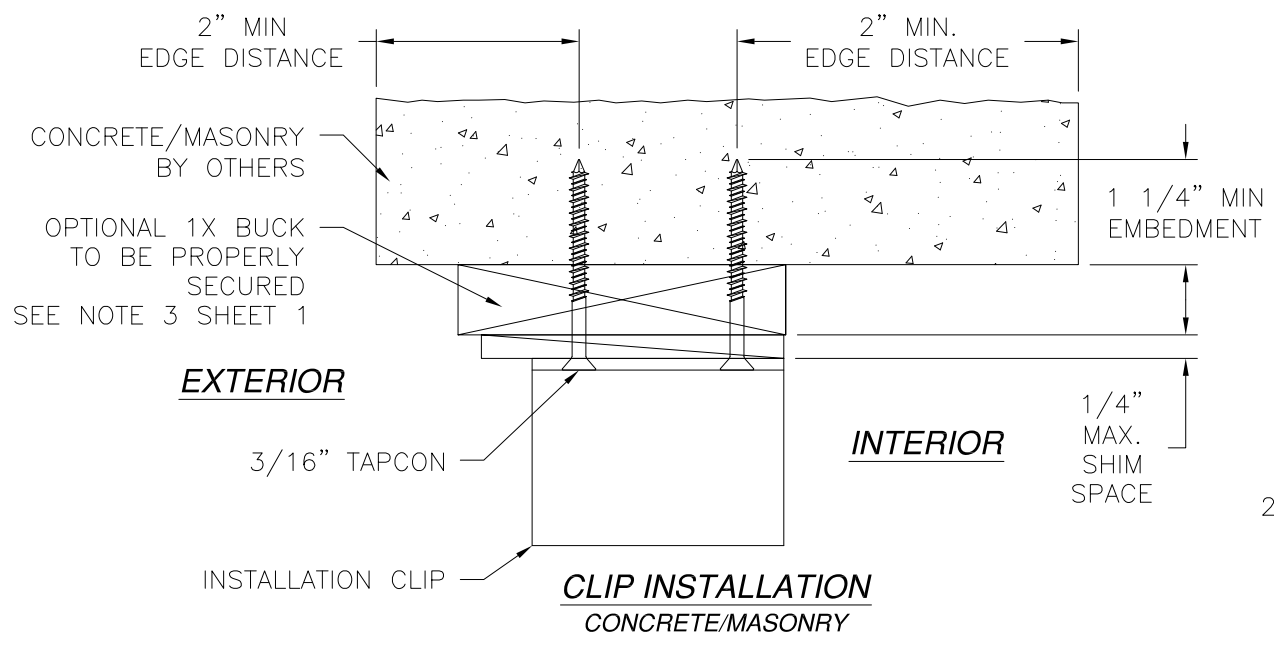
DRAWN: V.L.	DWG NO. 08-01712	REV B
SCALE NTS	DATE 09/17/12	SHEET 5 OF 6

L. ROBERTO LOMAS P.E.  
1432 WOODFORD RD LEWISVILLE, NC 27023  
434-688-0609 rllomas@rlomaspe.com

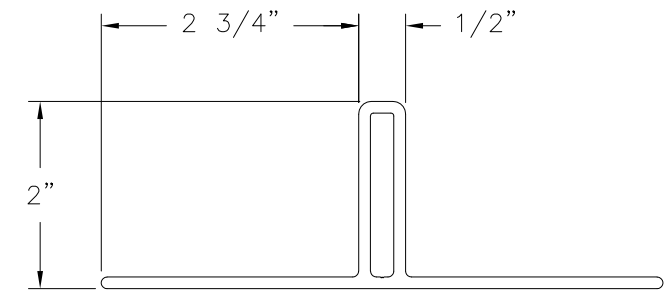
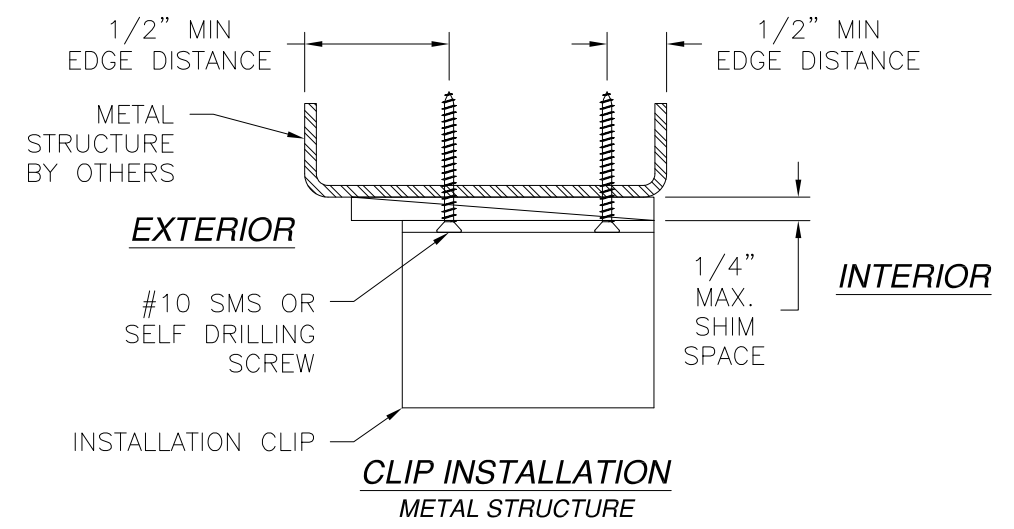


Luis R. Lomas P.E.  
TX No.: 101889

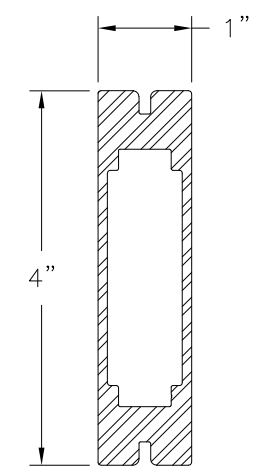
REVISIONS			
REV	DESCRIPTION	DATE	APPROVED
B	REVISED PER NEW CODE	11/15/2021	R.L.



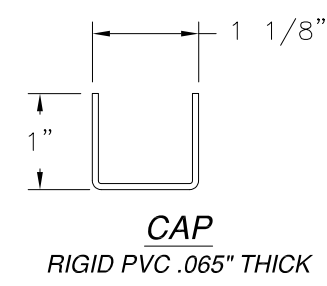
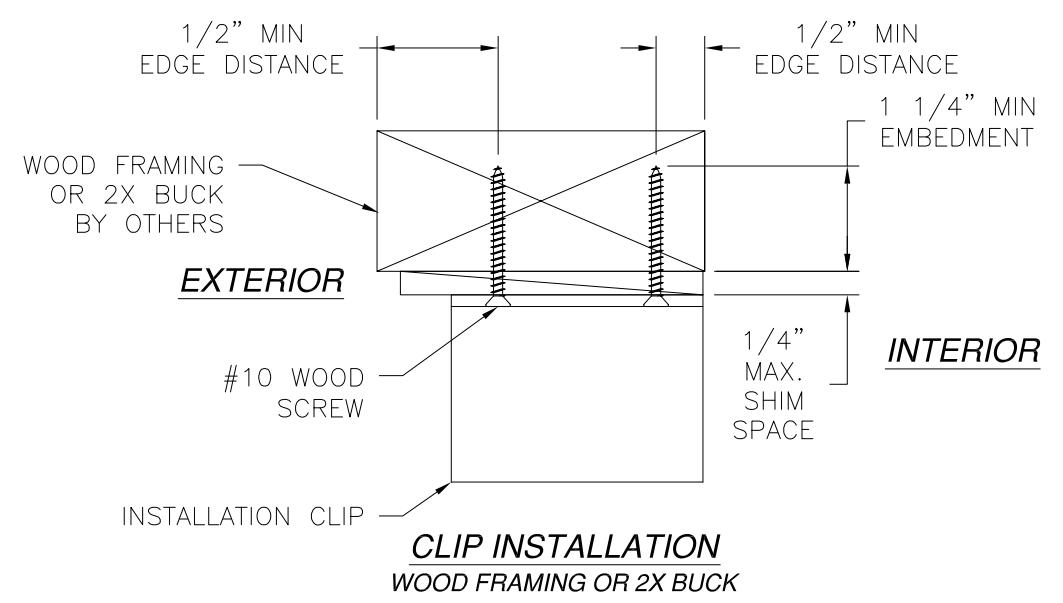
FOR MASONRY INSTALLATION USE TWO ANCHOR LOCATIONS AT EACH SIDE OF INSTALLATION CLIP



**CLIP**  
ALUMINUM 6063-T6 .125" THICK



**MULLION**  
ALUMINUM 6063-T6 .100" THICK



**CAP**  
RIGID PVC .065" THICK

- NOTES:**
1. INTERIOR AND EXTERIOR FINISHES, BY OTHERS, NOT SHOWN FOR CLARITY.
  2. PERIMETER AND JOINT SEALANT BY OTHERS TO BE DESIGNED IN ACCORDANCE WITH ASTM E2112

SIGNED: 11/15/2021

**REGENCY PLUS, INC.**  
2000 LOCUST GAP HIGHWAY  
MT. CARMEL, PA 17851

SERIES 6512 VINYL MULLED TILT SH WINDOW  
105" X 84" - IMPACT  
INSTALLATION DETAILS AND COMPONENTS

DRAWN: V.L.	DWG NO. 08-01712	REV B
SCALE NTS	DATE 09/17/12	SHEET 6 OF 6

L. ROBERTO LOMAS P.E.  
1432 WOODFORD RD LEWISVILLE, NC 27023  
434-688-0609 rllomas@rlomaspe.com



Luis R. Lomas P.E.  
TX No.: 101889