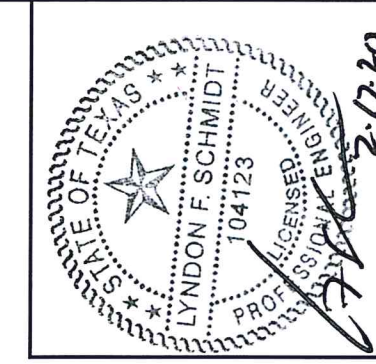
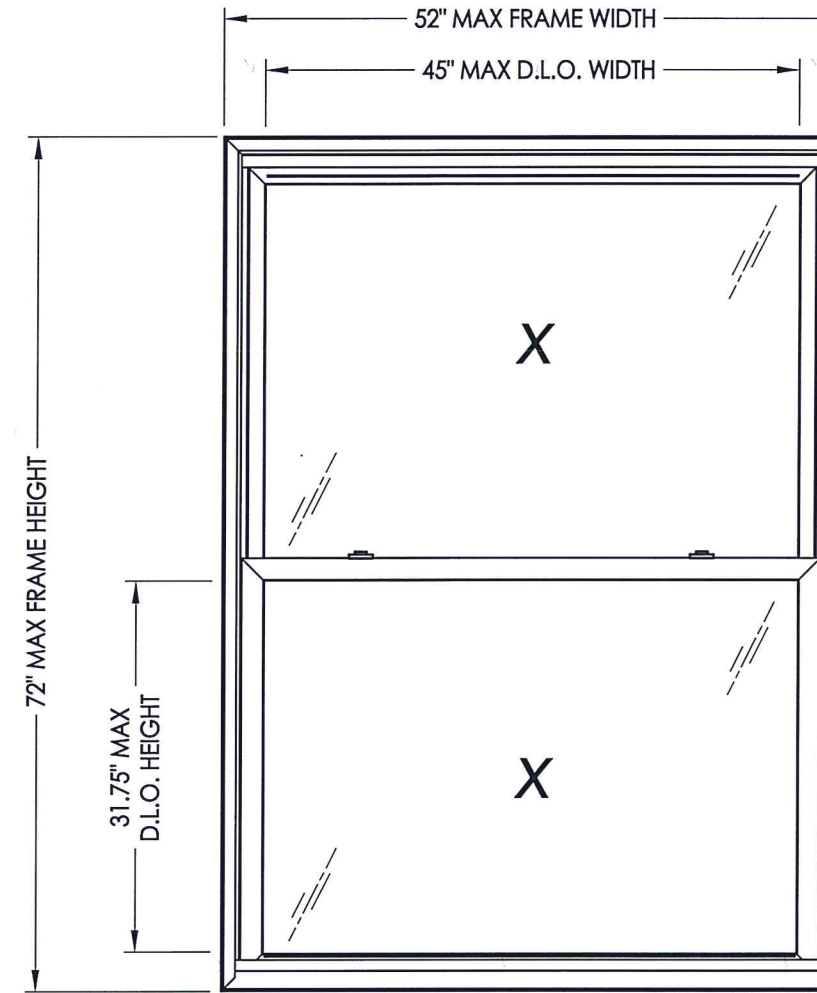


WINCORE™

WINDOWS & DOORS

250 Staunton Turnpike, Parkersburg, WV 26104

7700/9900 Series Vinyl Double Hung Window "NON-IMPACT"



Documents Prepared By: Lyndon F. Schmidt, P.E.
TEXAS P.E. #104123

RW BUILDING CONSULTANTS, INC.
P.O. Box 230 Vairico FL 33595
Phone No.: 813.659.9197

TEXAS BOARD OF PROFESSIONAL ENGINEERS
CERTIFICATE OF REGISTRATION # F-11852

PRODUCT: 7700/9900 SERIES
Vinyl Double Hung Window

PART OR ASSEMBLY:
TYPICAL ELEVATION, DESIGN
PRESSURES & GENERAL NOTES

EVALUATED FOR USE IN THE STATE OF TEXAS

TDI WIN-1136

The Wincore Double Hung Window described herein complies with the 2018 International Residential Code (IRC), Sections R301 & R609 and the 2018 International Building Code (IBC), Sections 1404.13, 1609, 1709.5, 2403 and 2404 subject to the following conditions:

1. Anchors shall be as listed and spaced as shown in the details. Anchor embedment to base material shall be beyond wall dressing or stucco.
2. When used in areas requiring wind-borne debris protection this product is required to be protected with an impact resistant covering that complies with Section R301.2.1.2 of the IRC and Section 1609.1.2 of the IBC.
3. Allowable design pressure requirements must be equal to or less than the design pressure rating shown in the design pressure chart, sheet 1 of this drawing.
4. Conditions not covered by this drawing are subject to further engineering analysis.

TABLE OF CONTENTS

SHEET#	DESCRIPTION
1	Typical elevations, design pressures and general notes
2	Cross sections & frame anchoring
3	Bill of materials, components & glazing details

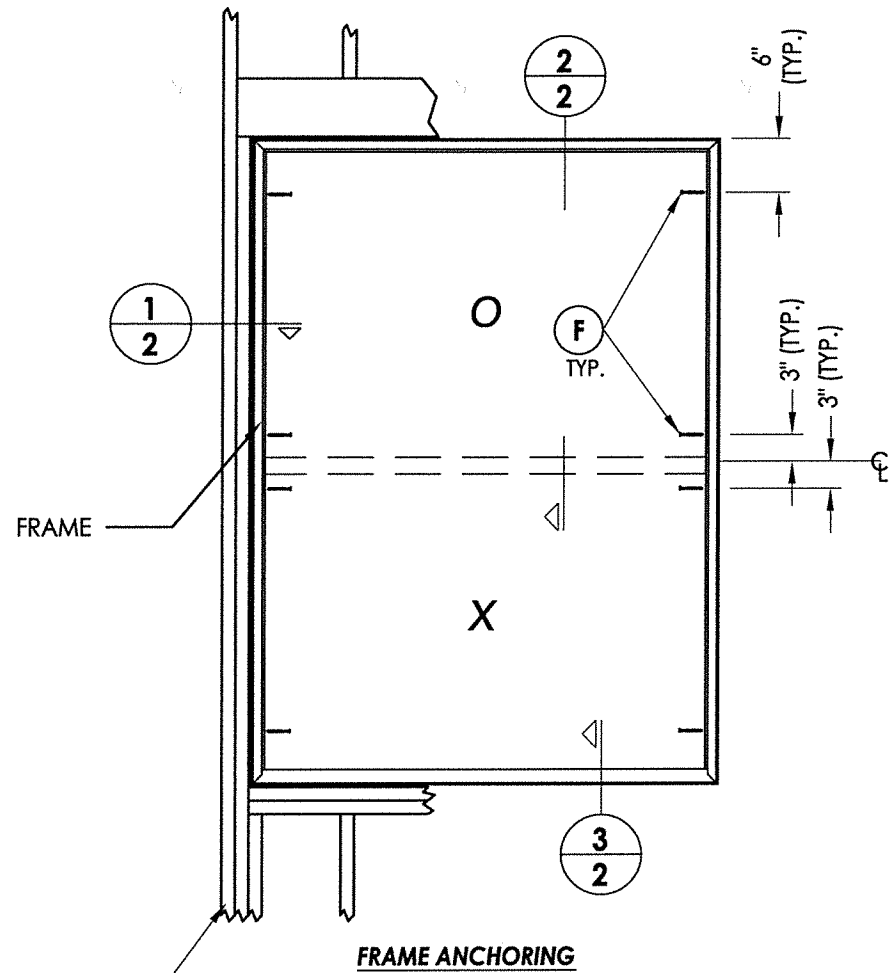
MAX. FRAME DIMENSION	MAX. D.L.O. DIMENSION	GLASS TYPE	DESIGN PRESSURE (PSF)	
			POSITIVE	NEGATIVE
32.0" X 58.0"	25.0" X 24.75"	G1, G2	+55.0	-65.0
52.0" X 40.0"	45.0" X 15.75"	G1, G2	+45.0	-45.0
48.0" X 42.0"	41.0" X 16.75"	G1, G2	+45.0	-45.0
44.0" X 46.0"	37.0" X 18.75"	G1, G2	+45.0	-45.0
40.0" X 52.0"	33.0" X 21.75"	G1, G2	+45.0	-45.0
36.0" X 56.0"	29.0" X 23.75"	G1, G2	+45.0	-45.0
32.0" X 64.0"	25.0" X 27.75"	G1, G2	+45.0	-45.0
52.0" X 44.0"	45.0" X 17.75"	G1, G2	+40.0	-40.0
48.0" X 48.0"	41.0" X 19.75"	G1, G2	+40.0	-40.0
44.0" X 52.0"	37.0" X 21.75"	G1, G2	+40.0	-40.0
40.0" X 58.0"	33.0" X 24.75"	G1, G2	+40.0	-40.0

MAX. FRAME DIMENSION	MAX. D.L.O. DIMENSION	GLASS TYPE	DESIGN PRESSURE (PSF)	
			POSITIVE	NEGATIVE
36.0" X 64.0"	29.0" X 27.75"	G1, G2	+40.0	-40.0
32.0" X 70.0"	25.0" X 30.75"	G1, G2	+40.0	-40.0
52.0" X 50.0"	45.0" X 20.75"	G1, G2	+35.0	-35.0
48.0" X 54.0"	41.0" X 22.75"	G1, G2	+35.0	-35.0
44.0" X 60.0"	37.0" X 25.75"	G1, G2	+35.0	-35.0
40.0" X 66.0"	33.0" X 28.75"	G1, G2	+35.0	-35.0
36.0" X 72.0"	29.0" X 31.75"	G1, G2	+35.0	-35.0
52.0" X 60.0"	45.0" X 25.75"	G1, G2	+30.0	-30.0
48.0" X 64.0"	41.0" X 27.75"	G1, G2	+30.0	-30.0
44.0" X 70.0"	37.0" X 30.75"	G1, G2	+30.0	-30.0
40.0" X 72.0"	33.0" X 31.75"	G1, G2	+30.0	-30.0
52.0" X 72.0"	45.0" X 31.75"	G1, G2	+25.0	-25.0

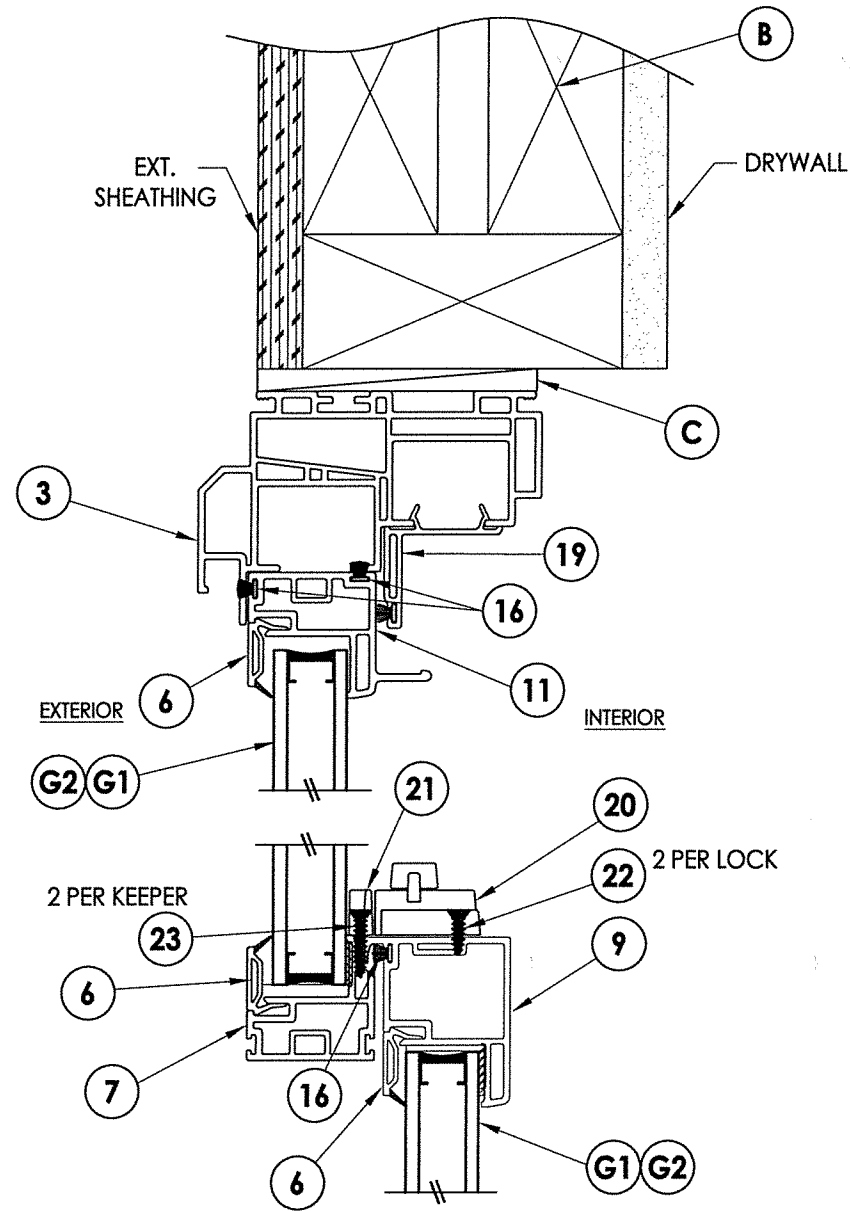
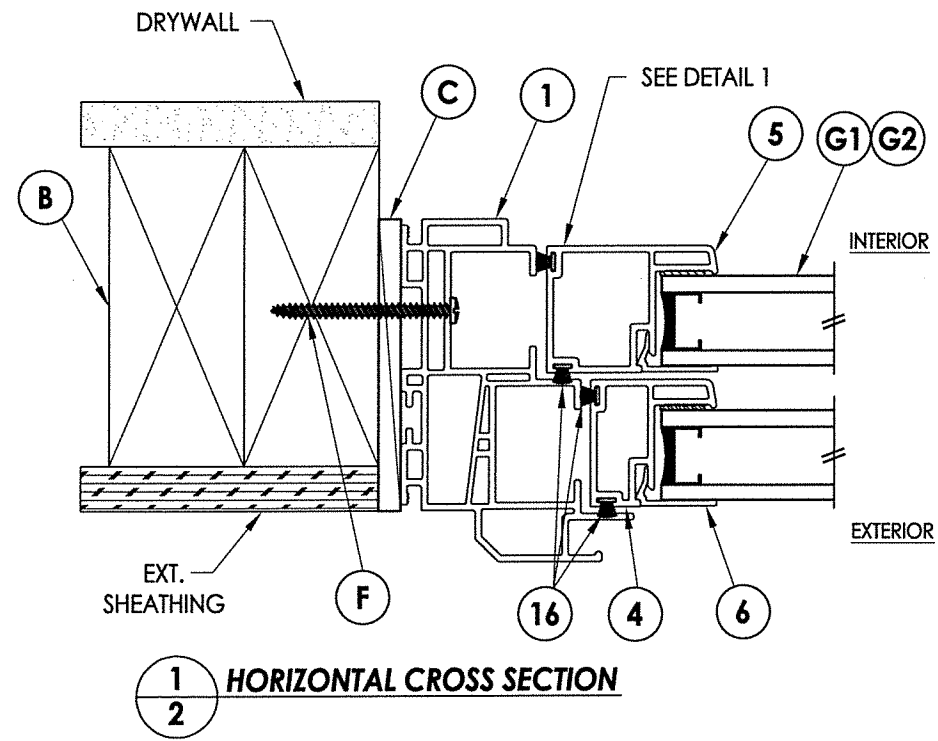
NO.	DATE	BY	REVISIONS
1	1/20/20	LFS	UPDATE TO 2018 IBC/IRC

DATE: 9/09/14
SCALE: N.T.S.
DWG. BY: JK
CHK. BY: LFS
DRAWING NO.: TX-4474
SHEET 1 OF 3

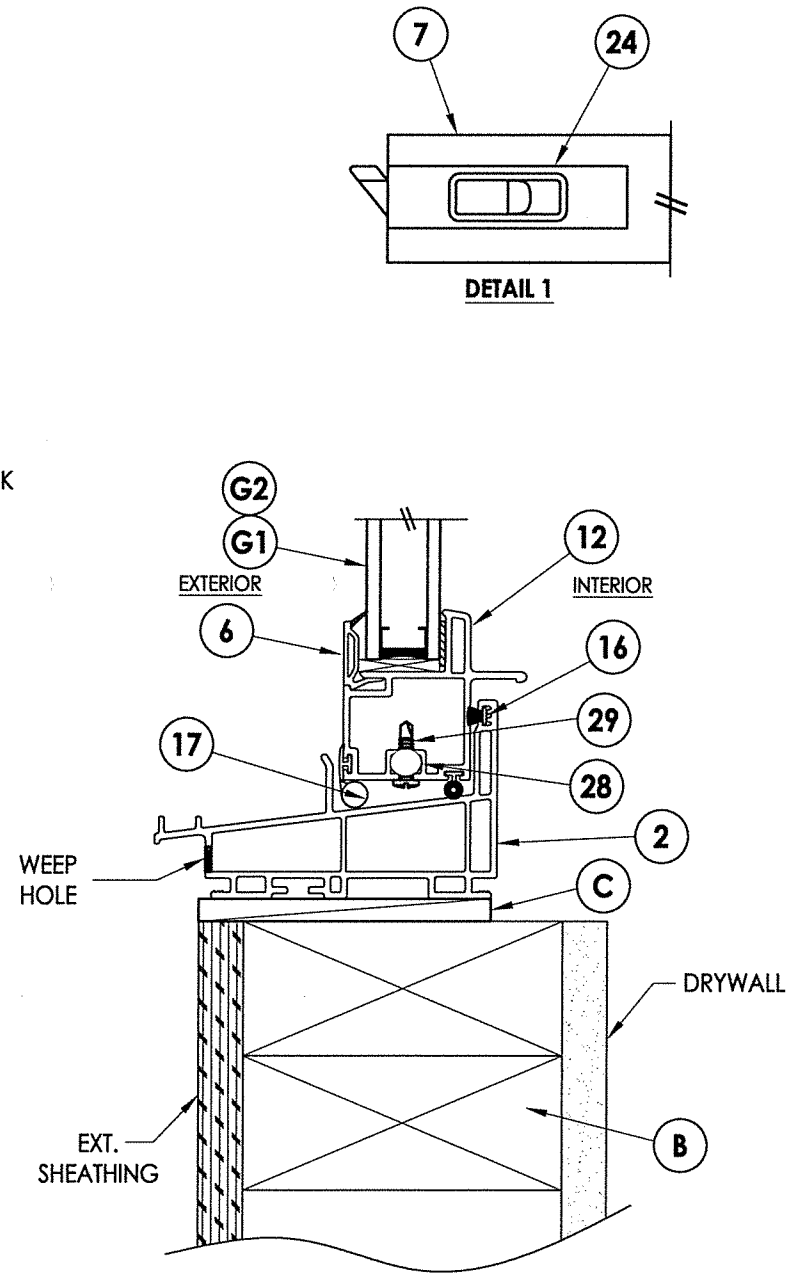
R:\Clients\Wincore PERMANENT\B - (2018) Texas Dept of Ins\WIN 1136 - Dbl Hung 7700 - 9900\C - Drawings\TX-4474.4475.dwg, 2.2



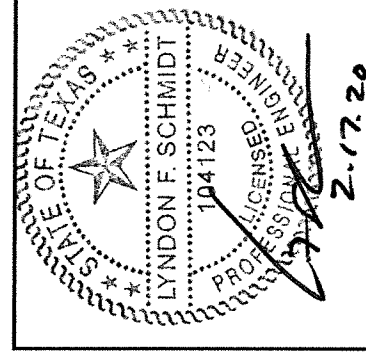
2x framing to be designed by the engineer or architect of record based on wind loads and the cladding being used (typ.).



2 VERTICAL CROSS SECTION



3 VERTICAL CROSS SECTION



Documents Prepared By: Lyndon F. Schmidt, P.E.
TEXAS P.E. #104123

RW BUILDING CONSULTANTS, INC.
P.O. Box 230 Valrico FL 33595
Phone No.: 813.659.9197
TEXAS BOARD OF PROFESSIONAL ENGINEERS
CERTIFICATE OF REGISTRATION # F-11852

PRODUCT: 7700/9900 SERIES
Vinyl Double Hung Window

PART OR ASSEMBLY:
CROSS SECTIONS
& FRAME ANCHORING

NO.	DATE	REVISIONS	LFS	BY
1	1/20/20	UPDATE TO 2018 IBC/IRC		

DATE: 9/09/14

SCALE: N.T.S.

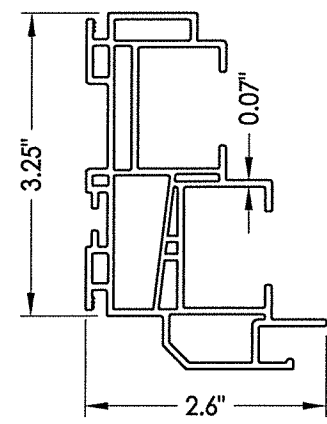
DWG. BY: JK

CHK. BY: LFS

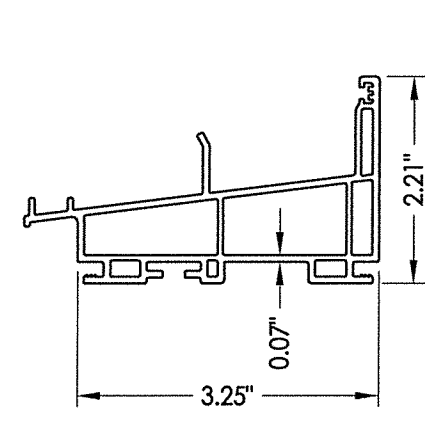
DRAWING NO.: TX-4474

SHEET 2 OF 3

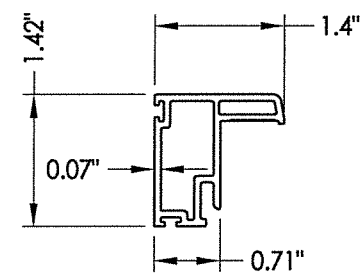
BILL OF MATERIALS		
ITEM #	DESCRIPTION	MATERIAL
B	2X FRAMING (SG >= 0.42)	WOOD
C	1/4" MAX. SHIM SPACE	-
F	#8 X 2" PH WOOD SCREW (1-3/8" MIN. EMBEDMENT)	STEEL
1	FRAME JAMB* (DH 7701)	PVC
2	SILL* (DH 7703)	PVC
3	FRAME HEAD* (DH 7701)	PVC
4	UPPER SASH STILE* (SE 3035)	PVC
5	LOWER SASH STILE* (SE 3045)	PVC
6	GLAZING BEAD*	PVC
7	KEEPER RAIL UPPER SASH* (SE 3034)	PVC
9	LOCK RAIL LOWER SASH* (SE 3046)	PVC
11	TOP RAIL UPPER SASH* (SE 3037)	PVC
12	BOTTOM RAIL LOWER SASH* (SE 3047)	PVC
16	WEATHERSTRIP ULTRA FAB .270 PILE - 270 -1875B	-
17	WEATHERSTRIP SILLBULB (AMESBURY 32690)	-
19	HEAD ADAPTER* (DH 3005)	PVC
20	LOCK 8513 / 8845 LAWRENCE	PVC
21	KEEPER 2700 - 214 LAWRENCE	PVC
22	#8 X 1" PFH (VINYL LOCK SCREWS)	STEEL
23	#6 X 1-1/2" PFH (VINYL LOCK SCREWS)	STEEL
24	TOP SASH TILT LATCH - ASHLAND	PVC
28	PIVOT BAR - CALDWELL	-
29	#8 X 1/2" SELF TAPPING PPH SMS	STEEL



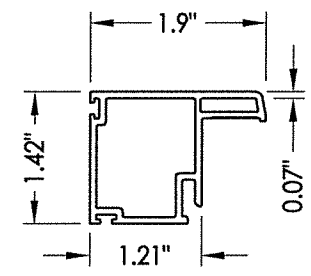
1 FRAME HEAD & JAMB



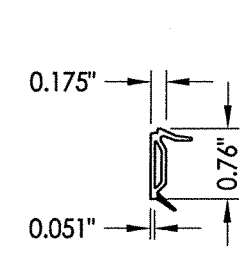
2 SILL



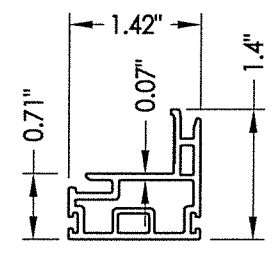
4 SASH STILE Top



5 SASH STILE Bottom

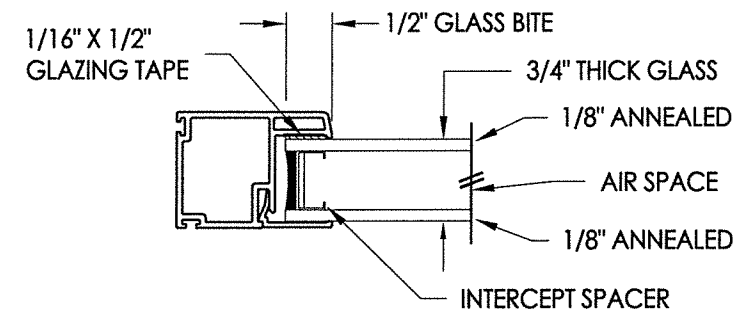


6 GLAZING BEAD

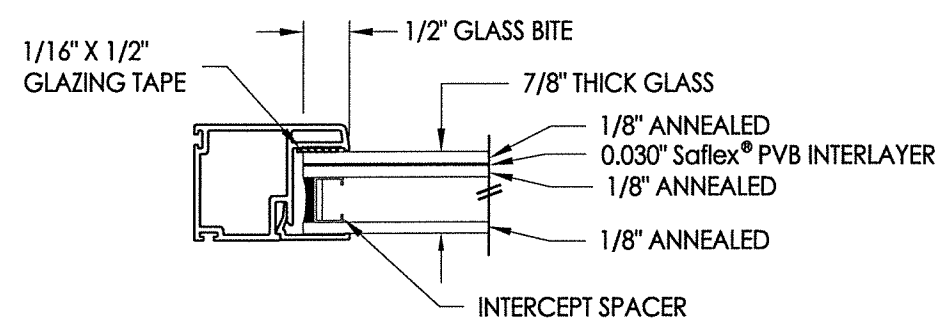


7 KEEPER RAIL Upper Sash

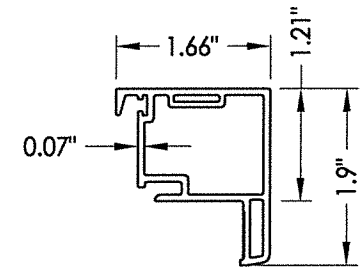
* THE APPROVED WHITE RIGID PVC EXTERIOR EXTRUSIONS FOR WINDOWS ARE TO BE PRODUCED BY EXTRUDERS LICENSEES IN "AAMA CERTIFICATION PROGRAMS FOR RIGID PVC EXTRUSIONS".



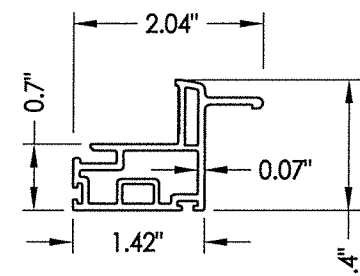
G1 GLAZING DETAIL



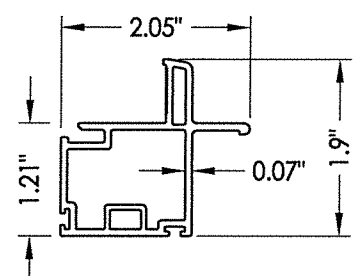
G2 GLAZING DETAIL (See General Note 2, Sheet 1)



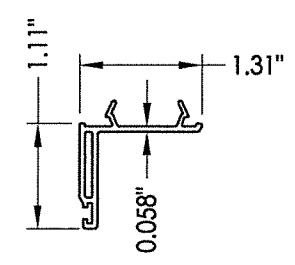
9 LOCK RAIL Lower Sash



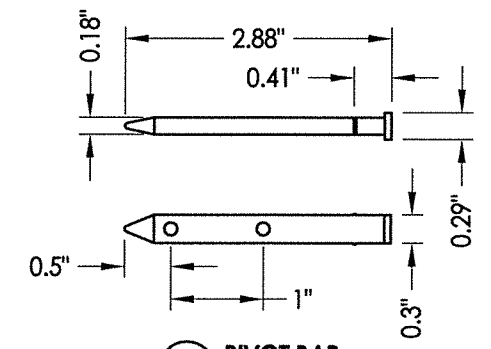
11 TOP RAIL Upper Sash



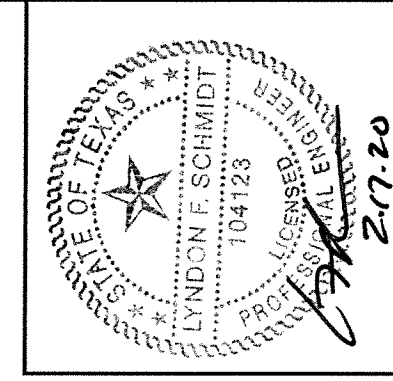
12 BOTTOM RAIL Lower Sash



19 HEAD ADAPTER



28 PIVOT BAR



Documents Prepared By: Lyndon F. Schmidt, P.E. TEXAS P.E. #104123

R.W. BUILDING CONSULTANTS, INC. P.O. Box 230 Valrico FL 33595 Phone No.: 813.659.9197

TEXAS BOARD OF PROFESSIONAL ENGINEERS CERTIFICATE OF REGISTRATION # F-11852

PRODUCT: 7700/9900 SERIES Vinyl Double Hung Window
PART OR ASSEMBLY: BILL OF MATERIALS COMPONENTS & GLAZING DETAIL

NO.	DATE	BY	REVISIONS
1	1/20/20	LFS	UPDATE TO 2018 IBC/IRC

DATE: 9/09/14
SCALE: N.T.S.
DWG. BY: JK
CHK. BY: LFS
DRAWING NO.: TX-4474
SHEET 3 OF 3