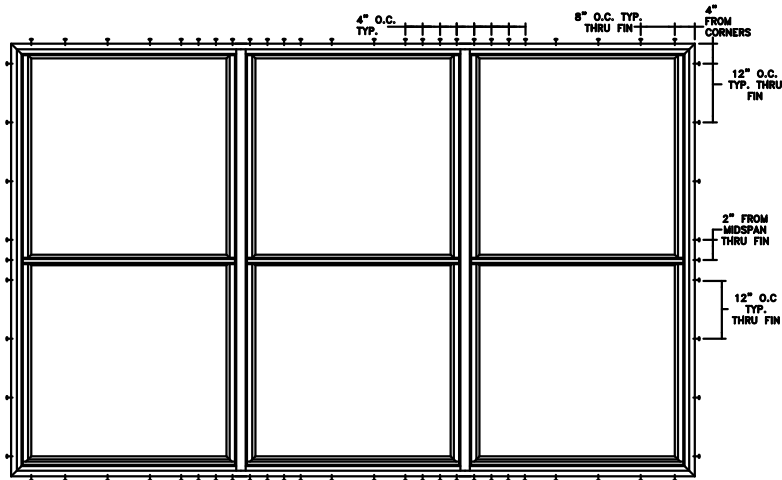
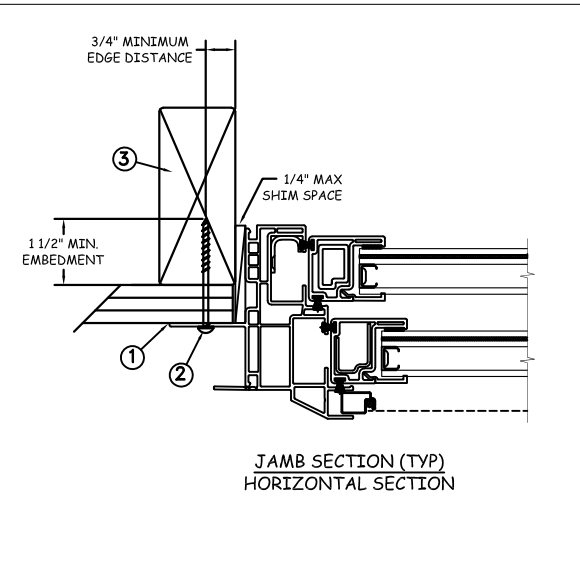
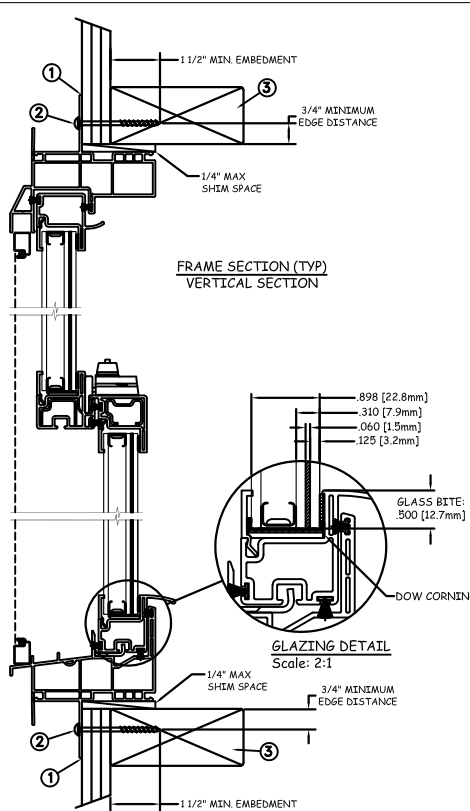


NAIL FIN INSTALLATION



TYPICAL ELEVATION WITH FASTENER SPACING



JAMB SECTION (TYP)
HORIZONTAL SECTION

Max Frame	DP RATING	IMPACT
108 x 72	+50/-50	YES

WINDZONE 2

Installation Notes:

1. Seal flange/frame to substrate. Sill shall be set on a continuous serpentine bead of structural grade silicone caulk when no fastener is used to anchor the sill (typical).
2. Use #8 PH or greater fastener through the nail fin with sufficient length to penetrate a minimum of 1 1/2" into the wood framing. For 2X wood frame substrate (min. S.G. = 0.42).
3. Host structure (wood buck, masonry, steel) to be designed and anchored to properly transfer all loads to the structure. The host structure is the responsibility of the architect or engineer of record for the project of installation.

General Notes:

1. The product shown herein is designed, tested and manufactured to comply with the wind load criteria of the 2018 International Residential Code (IRC), the 2018 International Building Code (IBC).
2. All glazing shall conform to ASTM E1300.
3. At minimum, glazing shall be 3.2mm annealed - 11.8mm airspace - 3.2mm annealed - 1.5mm PVB Interlayer by Kuraray - 3.2mm annealed insulating glass.
4. Use structural or composite shims where required.

This schedule addresses only the fasteners required to anchor the window to achieve the rated design pressure up to the size limitations noted. It is not intended as a guide to the installation process and does not address the sealing consideration that may arise in different wall conditions. For the complete installation procedure, see the instructions packaged with the window or go to www.jeld-wen.com/resources/installation.

DISCLAIMER:

This drawing and its contents are confidential and are not to be reproduced or copied in whole or in part or used or disclosed to others except as authorized by JELD-WEN Inc.

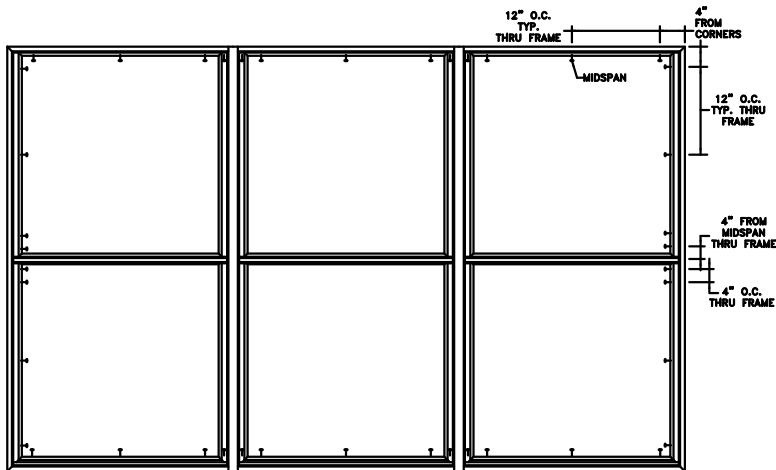


2021.06.08 08:24:35 -04'00'

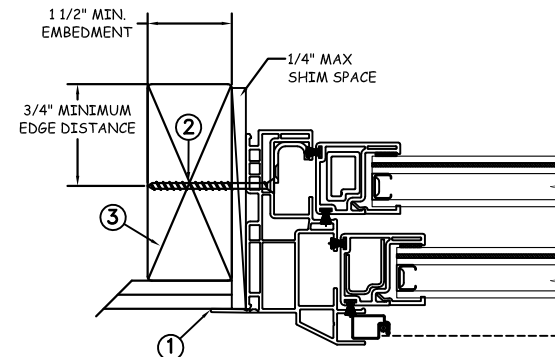
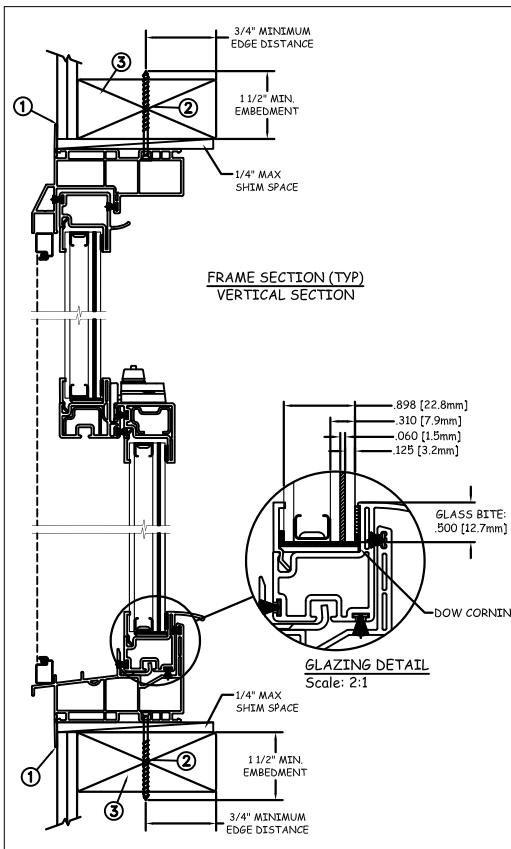
JOSEPH A. REED, P.E.
Texas No. 100777
5 LEIGH DRIVE
YORK, PA. 17406
(717) 846-1200

DATE: 05/06/2021	JELD-WEN 3250 Lakeport Blvd Klamath Falls, OR. 97601 Phone: (800) 535-3936
SCALE: NTS	
DRAWN BY: M.HAM	TITLE: Premium Vinyl Tilt Double Hung Window XXX - Impact
CHECKED BY: J.GOOSSEN	
APPROVED BY: J.GOOSSEN	
RECORD No: D014932	
REPORT No: 110-17-129	CAD DWG. No.: PremVinylTDHXXX Cert
REV: A	SHEET 1 OF 4

THROUGH FRAME INSTALLATION



TYPICAL ELEVATION WITH FASTENER SPACING



JAMB SECTION (TYP)
HORIZONTAL SECTION

Max Frame	DP RATING	IMPACT
108 x 72	+50/-50	YES

WINDZONE 2

Installation Notes:

1. Seal flange/frame to substrate. Sill shall be set on a continuous serpentine bead of structural grade silicone caulk when no fastener is used to anchor the sill (typical).
2. Use #8 PH or greater fastener through the frame with sufficient length to penetrate a minimum of 1 1/2" into the wood framing. For 2X wood frame substrate (min. S.G. = 0.42).
3. Host structure (wood buck, masonry, steel) to be designed and anchored to properly transfer all loads to the structure. The host structure is the responsibility of the architect or engineer of record for the project of installation.

General Notes:

1. The product shown herein is designed, tested and manufactured to comply with the wind load criteria of the 2018 International Residential Code (IRC), the 2018 International Building Code (IBC).
2. All glazing shall conform to ASTM E1300.
3. At minimum, glazing shall be 3.2mm annealed - 11.8mm airspace - 3.2mm annealed - 1.5mm PVB Interlayer by Kuraray - 3.2mm annealed insulating glass.
4. Use structural or composite shims where required.

This schedule addresses only the fasteners required to anchor the window to achieve the rated design pressure up to the size limitations noted. It is not intended as a guide to the installation process and does not address the sealing consideration that may arise in different wall conditions. For the complete installation procedure, see the instructions packaged with the window or go to www.jeld-wen.com/resources/installation.

DISCLAIMER:

This drawing and its contents are confidential and are not to be reproduced or copied in whole or in part or used or disclosed to others except as authorized by JELD-WEN Inc.



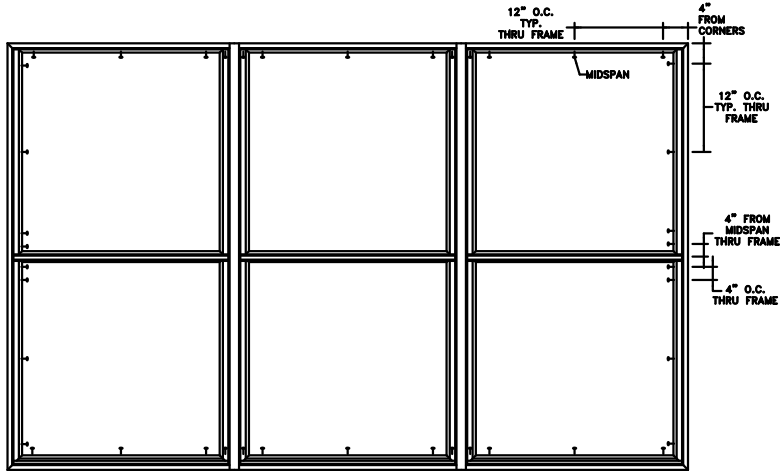
Joseph A. Reed

2021.06.08 08:24:35 -04'00'

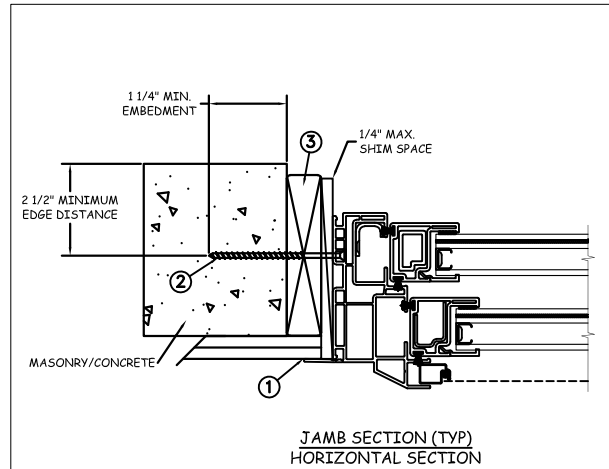
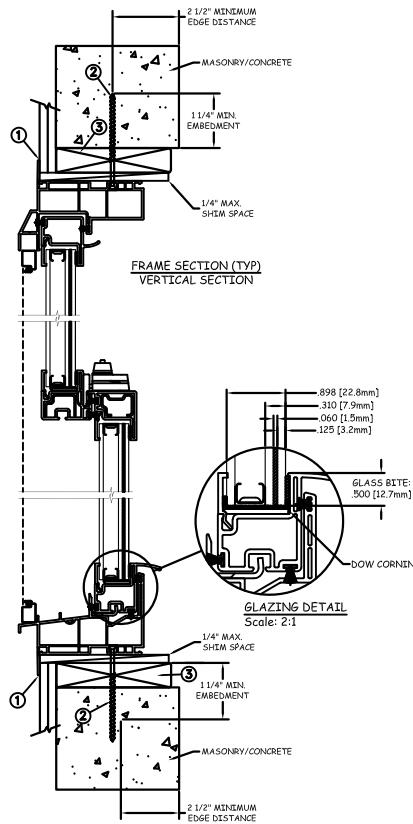
JOSEPH A. REED, P.E.
Texas No. 100777
5 LEIGH DRIVE
YORK, PA. 17406
(717) 846-1200

DATE: 05/06/2021	JELD WEN 3250 Lakeport Blvd Klamath Falls, OR. 97601 Phone: (800) 535-3936
SCALE: NTS	
DRAWN BY: M.HAM	TITLE: Premium Vinyl Tilt Double Hung Window XXX - Impact
CHECKED BY: J.GOOSSEN	
APPROVED BY: J.GOOSSEN	
RECORD No: D014932	
REPORT No: 110-17-129	CAD DWG. No.: PremVinylTDHXXX Cert
	REV: A
	SHEET 2 OF 4

MASONRY INSTALLATION



TYPICAL ELEVATION WITH FASTENER SPACING



Max Frame	DP RATING	IMPACT
108 x 72	+50/-50	YES

WINDZONE 2

Installation Notes:

1. Seal flange/frame to substrate. Sill shall be set on a continuous serpentine bead of structural grade silicone caulk when no fastener is used to anchor the sill (typical).
2. Use 3/16" Tapcon or equivalent fastener through frame with sufficient length to penetrate a minimum of 1 1/4" into concrete (min. f_c = 3000 psi) or masonry (per ASTM = C-90).
3. Host structure (wood buck, masonry, steel) to be designed and anchored to properly transfer all loads to the structure. The host structure is the responsibility of the architect or engineer of record for the project of installation.

General Notes:

1. The product shown herein is designed, tested and manufactured to comply with the wind load criteria of the 2018 International Residential Code (IRC), the 2018 International Building Code (IBC).
2. All glazing shall conform to ASTM E1300.
3. At minimum, glazing shall be 3.2mm annealed - 11.8mm airspace - 3.2mm annealed - 1.5mm PVB Interlayer by Kuraray - 3.2mm annealed insulating glass.
4. Use structural or composite shims where required.

This schedule addresses only the fasteners required to anchor the window to achieve the rated design pressure up to the size limitations noted. It is not intended as a guide to the installation process and does not address he sealing consideration that may arise in different wall conditions. For the complete installation procedure, see the instructions packaged with the window or go to www.jeld-wen.com/resources/installation.

DISCLAIMER:

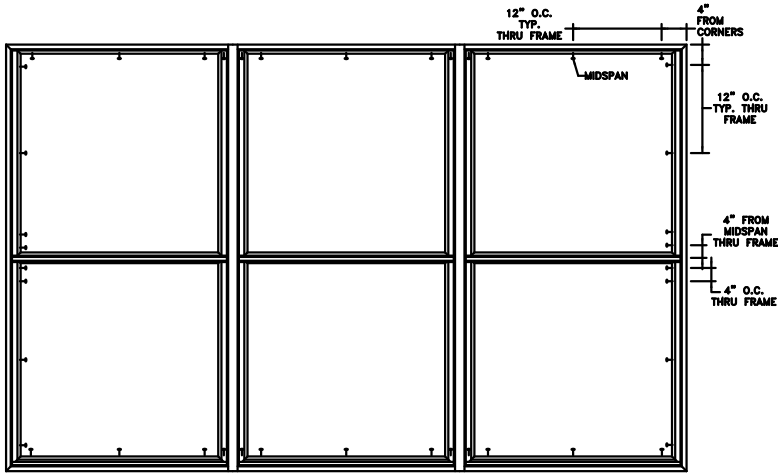
This drawing and its contents are confidential and are not to be reproduced or copied in whole or in part or used or disclosed to others except as authorized by JELD-WEN Inc.



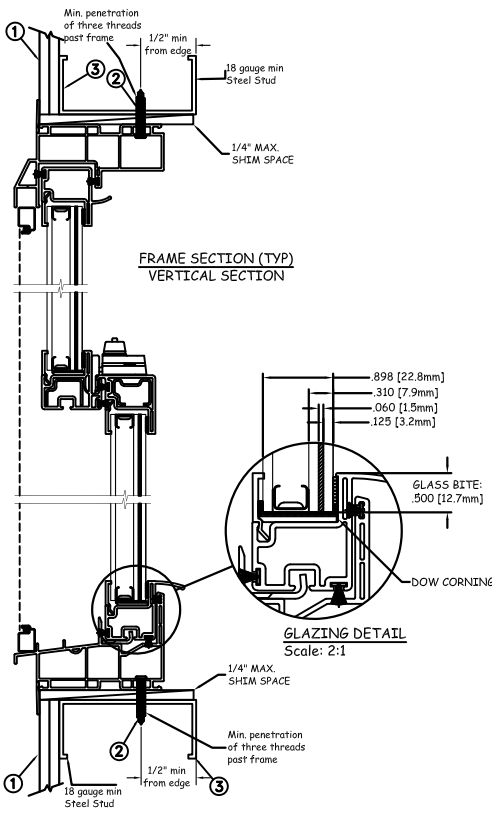
Joseph A. Reed

2021.06.08 08:24:35 -04'00'
JOSEPH A. REED, P.E.
 Texas No. 100777
 5 LEIGH DRIVE
 YORK, PA. 17406
 (717) 846-1200

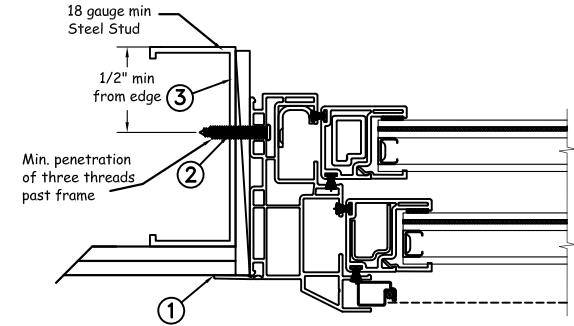
DATE: 05/06/2021	JELD WEN 3250 Lakeport Blvd Klamath Falls, OR. 97601 Phone: (800) 535-3936
SCALE: NTS	
DRAWN BY: M.HAM	TITLE: Premium Vinyl Tilt Double Hung Window XXX - Impact
CHECKED BY: J.GOOSSEN	
APPROVED BY: J.GOOSSEN	
RECORD No: D014932	
REPORT No: 110-17-129	CAD DWG. No.: PremVinylTDHXXX Cert
REV: A	SHEET 3 OF 4



TYPICAL ELEVATION WITH FASTENER SPACING



STEEL INSTALLATION



JAMB SECTION (TYP)
HORIZONTAL SECTION

Max Frame	DP RATING	IMPACT
108 x 72	+50/-50	YES

WINDZONE 2

Installation Notes:

1. Seal flange/frame to substrate. Sill shall be set on a continuous serpentine bead of structural grade silicone caulk when no fastener is used to anchor the sill (typical).
2. For anchoring into metal framing, use #10 TEK Self Tapping screws with sufficient length to achieve a minimum penetration of three threads past the frame thickness. Locate anchors as shown in elevations and installation details. Steel substrate min. 18ga., fy = 33 ksi.
3. Host structure (wood buck, masonry, steel) to be designed and anchored to properly transfer all loads to the structure. The host structure is the responsibility of the architect or engineer of record for the project of installation.

General Notes:

1. The product shown herein is designed, tested and manufactured to comply with the wind load criteria of the 2018 International Residential Code (IRC), the 2018 International Building Code (IBC).
2. All glazing shall conform to ASTM E1300.
3. At minimum, glazing shall be 3.2mm annealed - 11.8mm airspace - 3.2mm annealed - 1.5mm PVB Interlayer by Kuraray - 3.2mm annealed insulating glass.
4. Use structural or composite shims where required.

This schedule addresses only the fasteners required to anchor the window to achieve the rated design pressure up to the size limitations noted. It is not intended as a guide to the installation process and does not address the sealing consideration that may arise in different wall conditions. For the complete installation procedure, see the instructions packaged with the window or go to www.jeld-wen.com/resources/installation.

DISCLAIMER:

This drawing and its contents are confidential and are not to be reproduced or copied in whole or in part or used or disclosed to others except as authorized by JELD-WEN Inc.



Joseph A. Reed

2021.06.08 08:24:35 -04'00'
JOSEPH A. REED, P.E.
 Texas No. 100777
 5 LEIGH DRIVE
 YORK, PA. 17406
 (717) 846-1200

DATE: 05/06/2021	JELD WEN 3250 Lakeport Blvd Klamath Falls, OR. 97601 Phone: (800) 535-3936
SCALE: NTS	
DRAWN BY: M.HAM	TITLE: Premium Vinyl Tilt Double Hung Window XXX - Impact
CHECKED BY: J.GOOSSEN	
APPROVED BY: J.GOOSSEN	
RECORD No: D014932	
REPORT No: 110-17-129	CAD DWG. No.: PremVinylTDHXXX Cert
REV: A	SHEET 4 OF 4