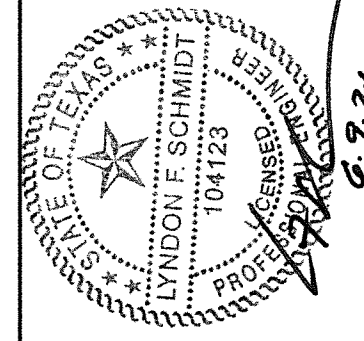
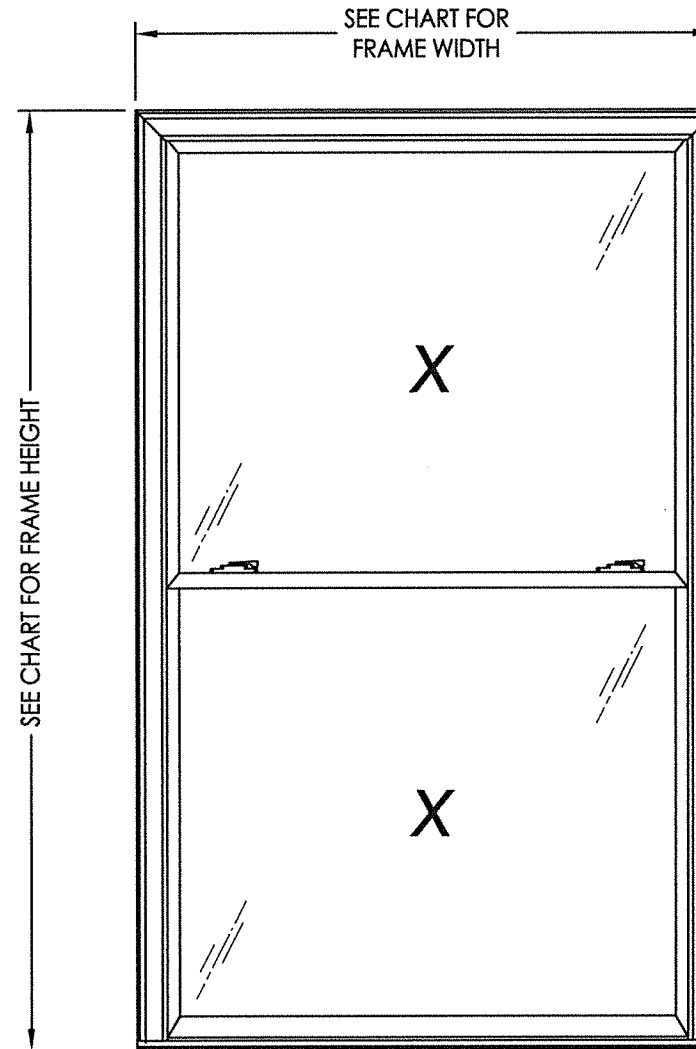


**MODEL 0501  
DOUBLE HUNG WINDOW  
"NON-IMPACT"**



Documents Prepared By: Lyndon F. Schmidt, P.E.  
TEXAS P.E. #104123  
**RW** BUILDING CONSULTANTS, INC.  
P.O. Box 230 Valrico FL 33595  
Phone No.: 813.659.9197  
TEXAS BOARD OF PROFESSIONAL ENGINEERS  
CERTIFICATE OF REGISTRATION # F-11852

EVALUATED FOR USE IN THE STATE OF TEXAS

**TDI WIN-2090**

The Double Hung Window described herein complies with the 2018 International Residential Code (IRC), Sections R301 & R609 and the 2018 International Building Code (IBC), Sections 1404.13, 1609, 1709.5, 2403 and 2404 subject to the following conditions:

1. Anchors shall be as listed and spaced as shown in the details. Anchor embedment to base material shall be beyond wall dressing or stucco.
2. When used in areas requiring wind-borne debris protection this product is required to be protected with an impact resistant covering that complies with Section R301.2.1.2 of the IRC and Section 1609.2 of the IBC.
3. Allowable design pressure requirements must be equal to or less than the design pressure rating shown in the design pressure chart, sheet 1 of this drawing.
4. Conditions not covered by this drawing are subject to further engineering analysis.

**TABLE OF CONTENTS**

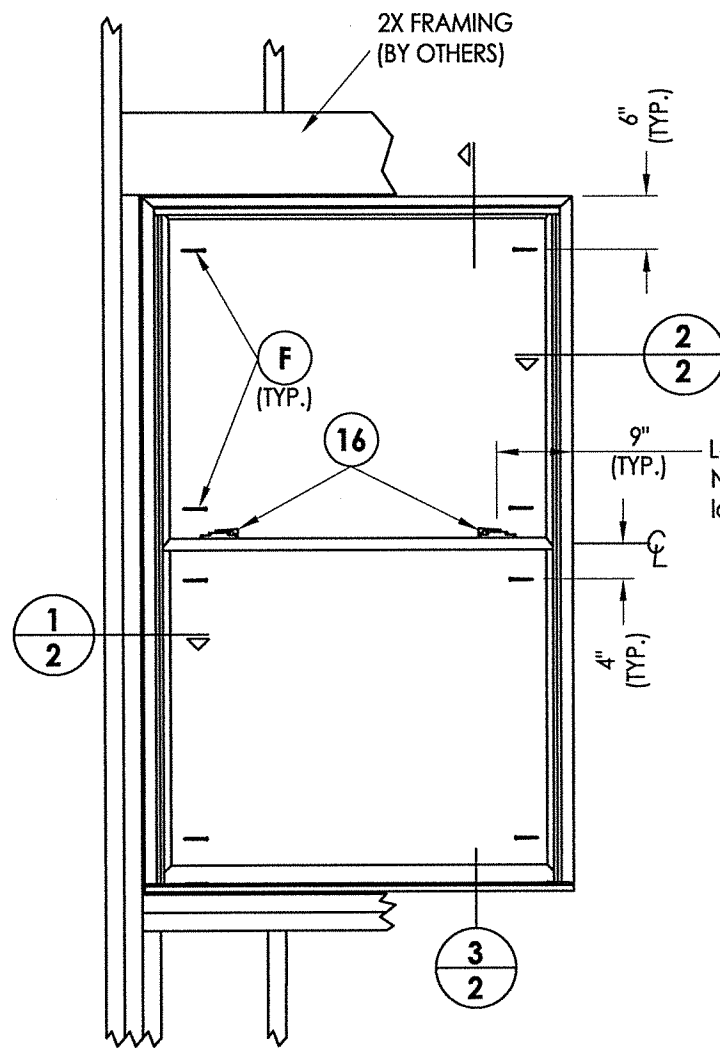
SHEET #	DESCRIPTION
1	Typical elevations, design pressures & general notes
2	Vertical & horizontal cross sections & frame anchoring
3	Bill of materials, glazing detail and components

OVERALL FRAME DIMENSION	OVERALL MAX. D.L.O.	GLASS TYPE	No. OF LOCKS	SASH STILE REINFORCEMENT REQUIRED	DESIGN PRESSURE (PSF)	
					POSITIVE	NEGATIVE
52.0" x 84.0"	44.88" x 36.88"	G1	2	YES	+25.0	-25.0
44.0" x 75.0"	36.88" x 32.38"	G1	1	NO	+30.0	-30.0
44.0" x 75.0"	36.88" x 32.38"	G1	2	YES	+40.0	-40.0
52.0" x 61.0"	44.88" x 25.38"	G1	2	YES	+35.0	-35.0
36.0" x 72.0"	28.88" x 30.88"	G1	2	YES	+50.0	-50.0
44.0" x 60.0"	36.88" x 24.88"	G1	2	NO	+35.0	-35.0
36.0" x 60.0"	28.88" x 24.88"	G1	2	NO	+50.0	-50.0
36.0" x 84.0"	28.88" x 36.38"	G1	2	NO	+45.0	-45.0

PRODUCT: DOUBLE HUNG WINDOW  
PART OR ASSEMBLY: TYPICAL ELEVATION, DESIGN PRESSURES & GENERAL NOTES

NO.	DATE	REVISIONS
1	6/07/21	UPDATE TO 2018 IBC/IRC AND UPDATE FOR NEW TESTING

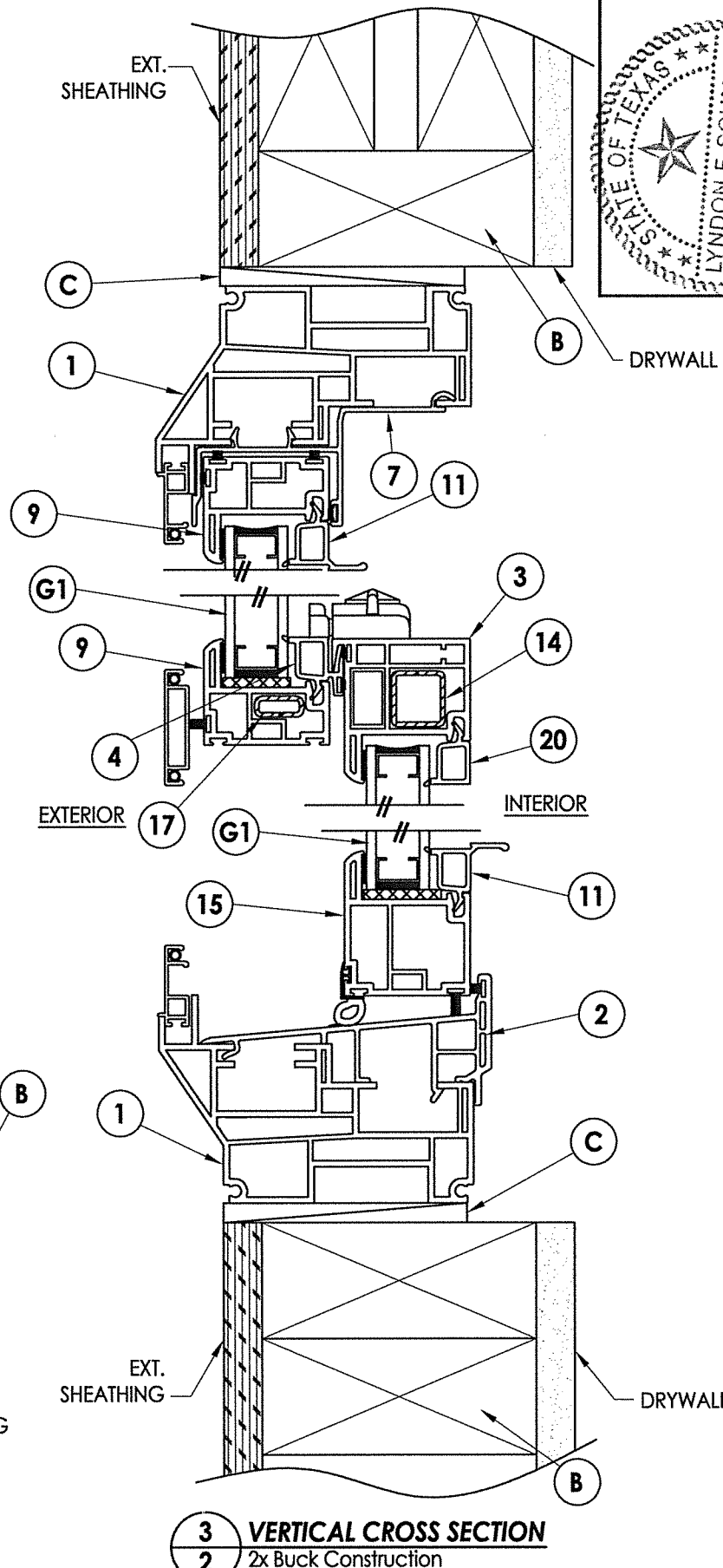
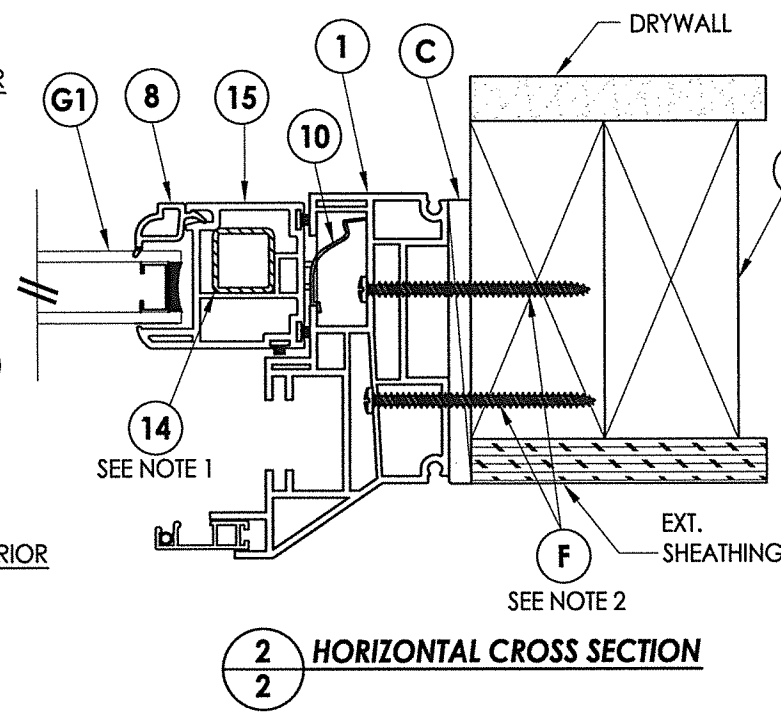
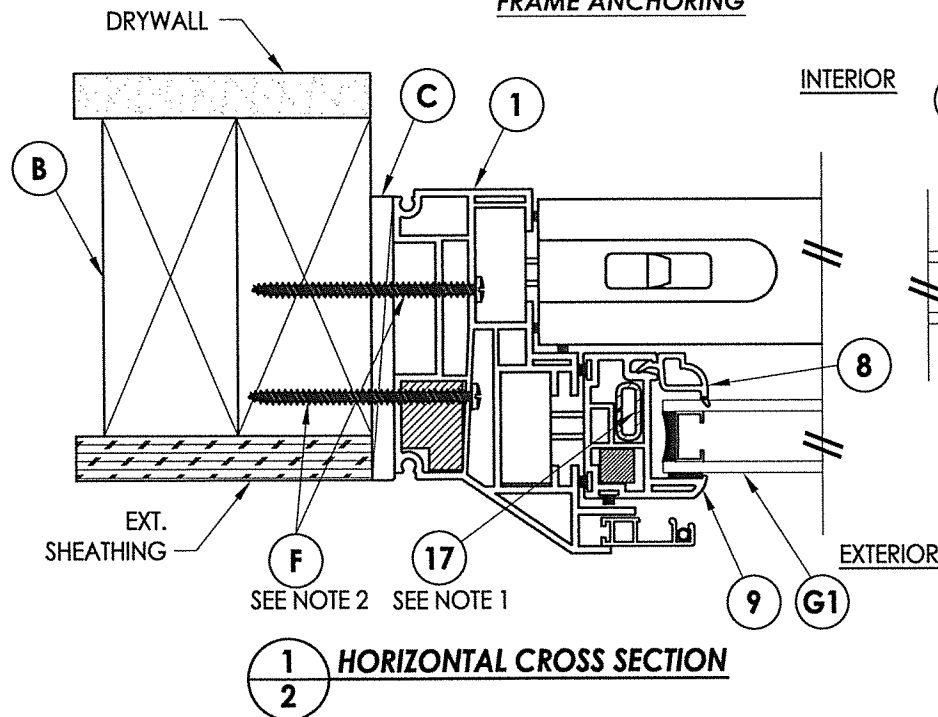
DATE: 5/27/15  
SCALE: N.T.S.  
DWG. BY: JK  
CHK. BY: LFS  
DRAWING NO.: TX-4538  
SHEET 1 OF 3



**NOTES:**

1. See Design Pressure Table, Sheet 1, for sash stile reinforcement requirements.
2. Anchors located above the meeting rail are in the interior track and anchors located below the meeting rail are in the exterior track.

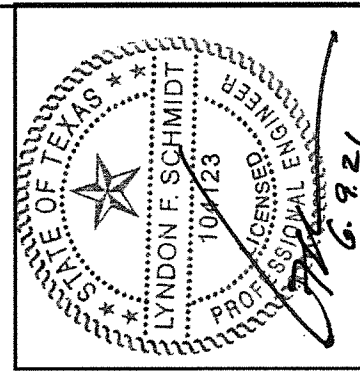
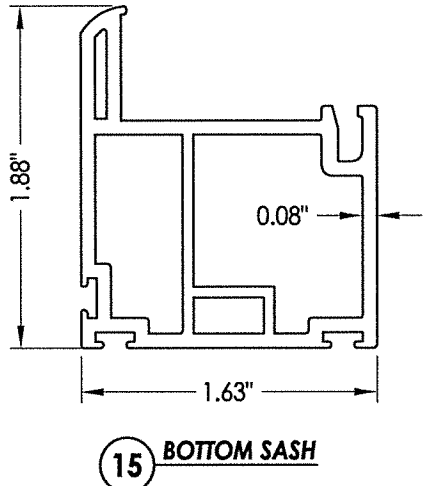
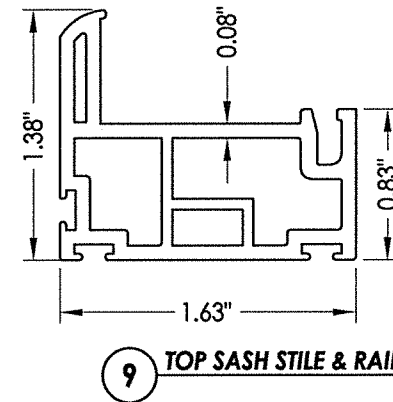
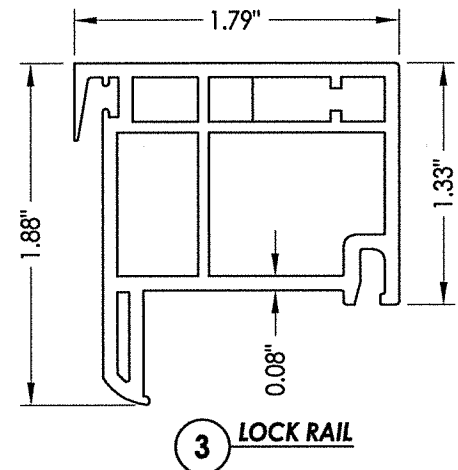
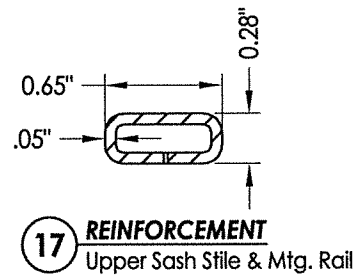
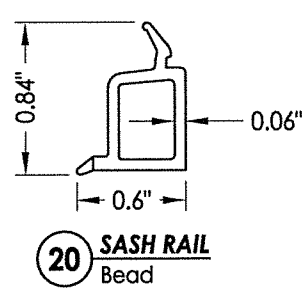
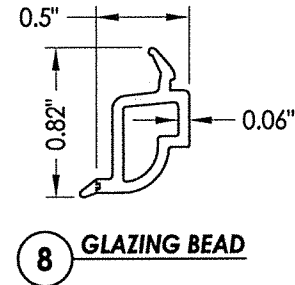
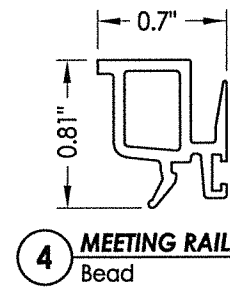
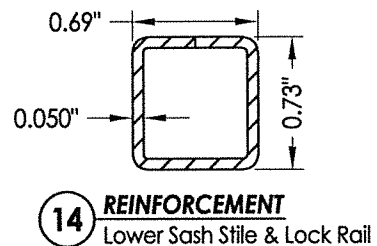
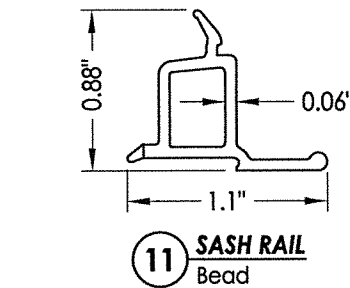
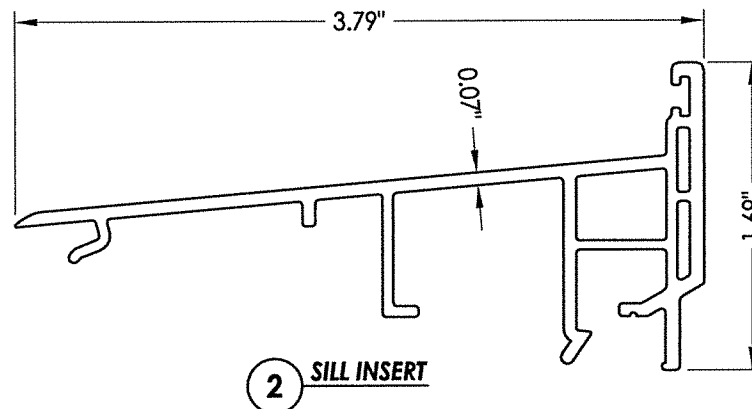
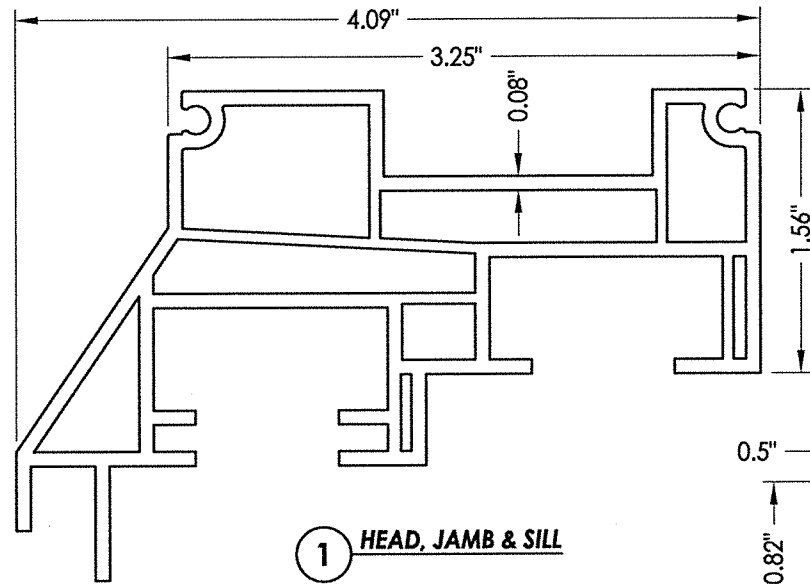
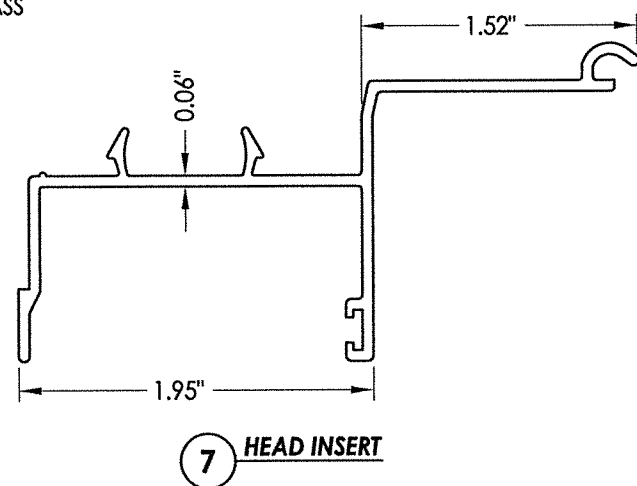
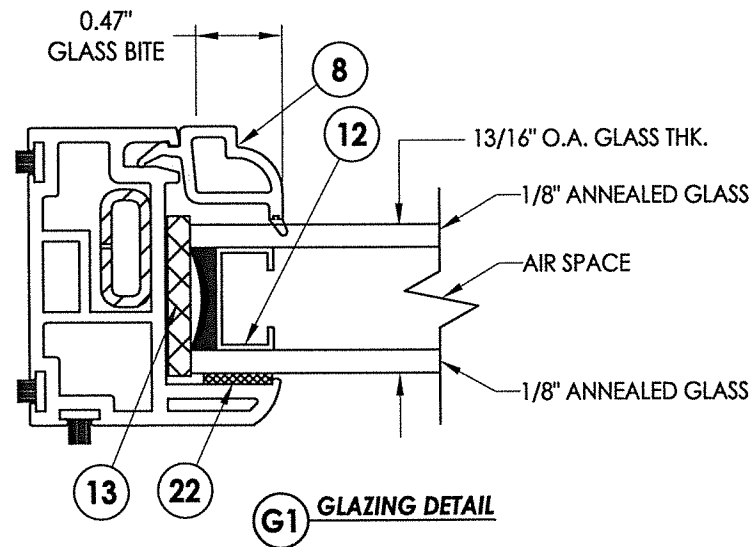
**FRAME ANCHORING**



Z:\Clients\Associated PERMANENT\B - Texas Dept of Ins\Double Hung\WIN 2090 Model 0501 DH Windows\C - Drawings\TX-4538.dwg

BILL OF MATERIALS		
ITEM #	DESCRIPTION	MATERIAL
B	2X FRAMING (G >= 0.42)	WOOD
C	1/4" MAX. SHIM SPACE	-
G	#8 X 2-1/2" PH WOOD SCREW (1-3/8" MIN. EMBEDMENT)	STEEL
1	EXTRUDED VINYL HEAD, JAMB AND SILL *	RIGID PVC
2	EXTRUDED VINYL SILL INSERT *	RIGID PVC
3	EXTRUDED VINYL LOCK RAIL *	RIGID PVC
4	EXTRUDED VINYL MEETING RAIL BEAD *	RIGID PVC
7	EXTRUDED VINYL HEAD INSERT *	RIGID PVC
8	EXTRUDED VINYL GLAZING BEAD *	RIGID PVC
9	EXTRUDED VINYL TOP SASH STILE & RAIL *	RIGID PVC
10	BALANCE COVER	-
11	EXTRUDED VINYL SASH RAIL BEAD *	RIGID PVC
12	STEEL INTERCEPT SPACER	STEEL
13	GLAZING SHIM 1/8" THICK	BUTYL
14	REINFORCEMENT - LOWER SASH STILE & LOCK RAIL	STEEL
15	EXTRUDED VINYL BOTTOM STILE *	RIGID PVC
16	METAL CAM LOCK & KEEPER	-
17	REINFORCEMENT - UPPER SASH STILE & MTG. RAIL	STEEL
20	EXTRUDED VINYL SASH RAIL BEAD *	RIGID PVC
22	GLAZING TAPE	-

\* THE APPROVED WHITE RIGID PVC EXTERIOR EXTRUSIONS FOR WINDOWS ARE TO BE PRODUCED BY EXTRUDERS LICENSES IN "AAMA CERTIFICATION PROGRAMS FOR RIGID PVC EXTRUSIONS".



Documents Prepared By: Lyndon F. Schmidt, P.E.  
TEXAS P.E. #104123

RW BUILDING CONSULTANTS, INC.  
P.O. Box 230 Valrico FL 33595  
Phone No.: 813.659.9197  
TEXAS BOARD OF PROFESSIONAL ENGINEERS  
CERTIFICATE OF REGISTRATION # F-11852

PRODUCT: DOUBLE HUNG WINDOW  
PART OR ASSEMBLY: LFS  
BILL OF MATERIALS, COMPONENTS AND GLAZING DETAIL

NO.	DATE	REVISIONS
1	6/07/21	UPDATE TO 2018 IBC/IRC AND UPDATE FOR NEW TESTING

DATE: 5/27/15  
SCALE: N.T.S.  
DWG. BY: JK  
CHK. BY: LFS  
DRAWING NO.: TX-4538  
SHEET 3 OF 3

© 2015 R.W. BUILDING CONSULTANTS INC.