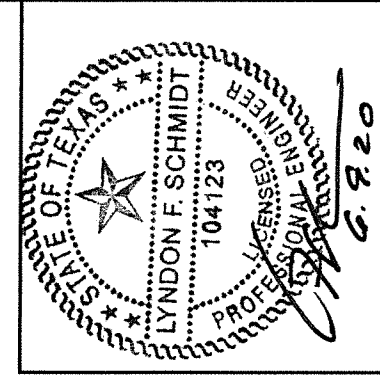
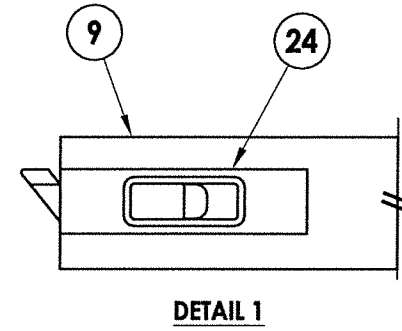
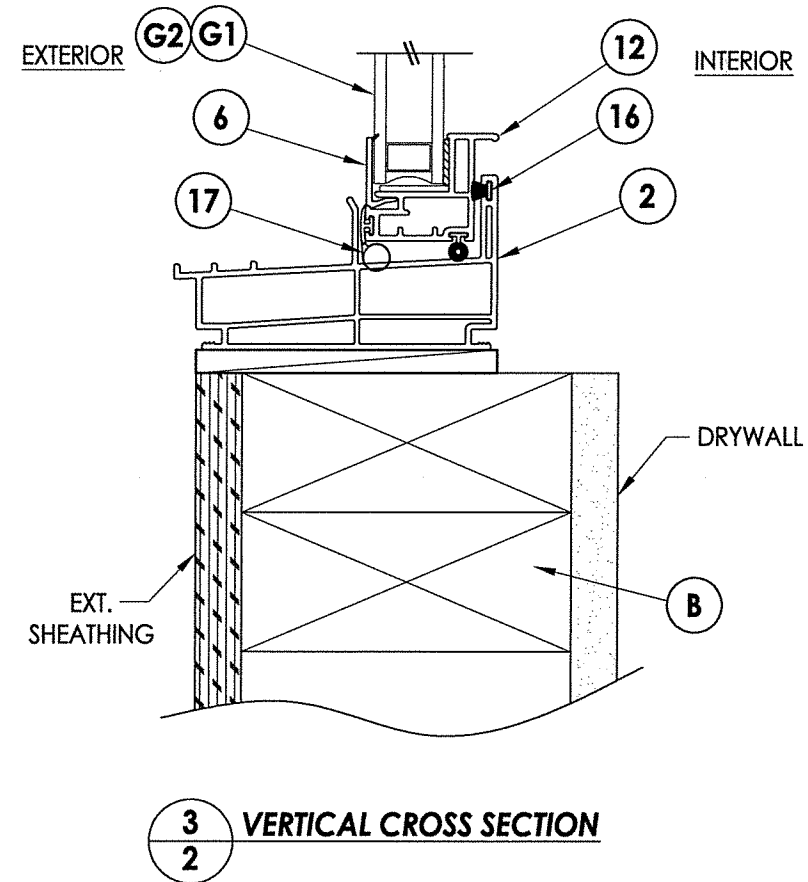
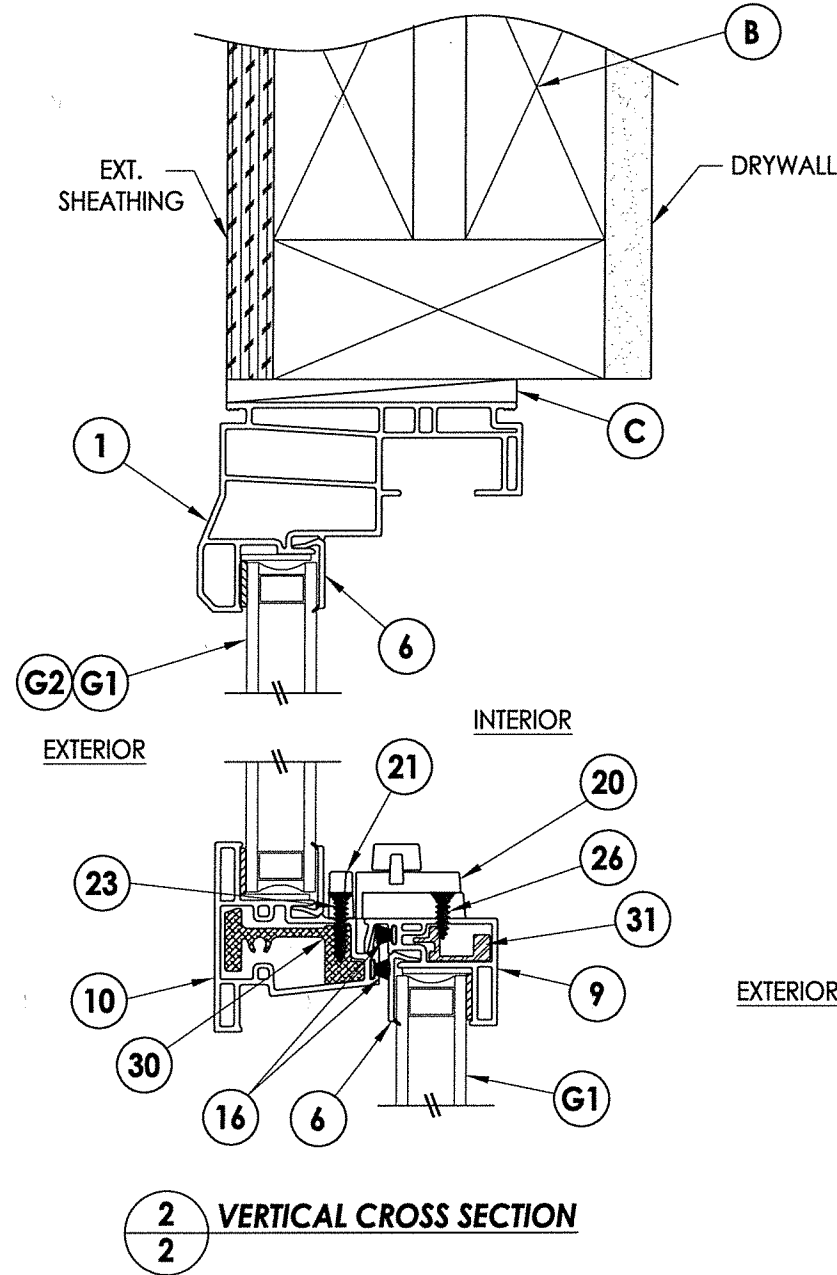
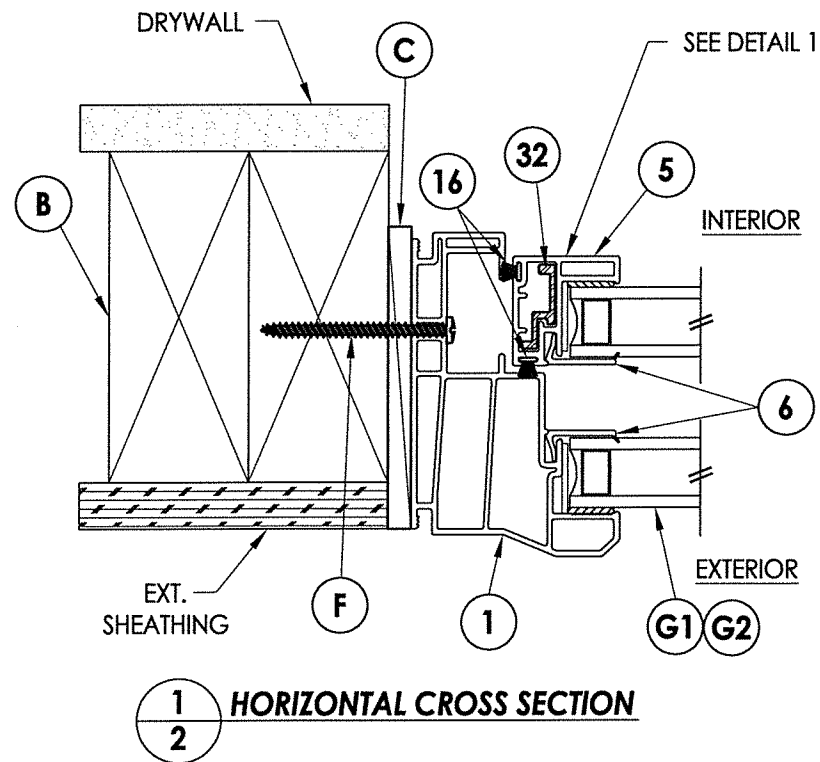
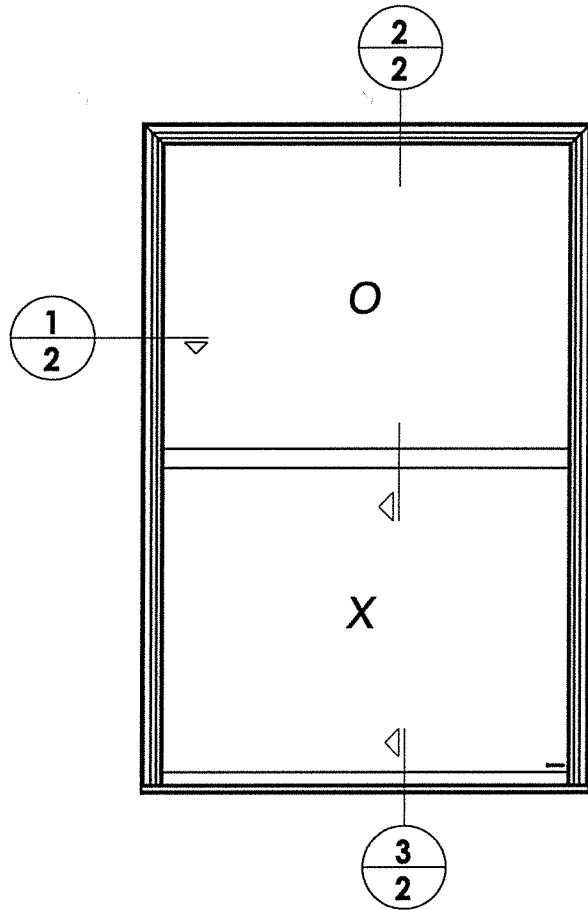


R:\Clients\Wincore PERMANENT\B - Texas Dept of Ins\Single Hung\WIN-1402 - 5400 5400S Series\C - Drawings\2018 IBC UPDATE\TX-4470-4471.dwg, 2.2



Documents Prepared By: Lyndon F. Schmidt, P.E.
TEXAS P.E. #104123

RW BUILDING CONSULTANTS, INC.
P.O. Box 230 Vairico FL 33595
Phone No.: 813.659.9197
TEXAS BOARD OF PROFESSIONAL ENGINEERS
CERTIFICATE OF REGISTRATION # F-11852

PRODUCT:
5400/5400S SERIES
Vinyl Single Hung Window

PART OR ASSEMBLY:
CROSS SECTIONS
& FRAME ANCHORING

NO.	DATE	REVISIONS	BY
1	1/21/20	UPDATE TO 2018 IBC/IRC	LFS

DATE: 4/27/16

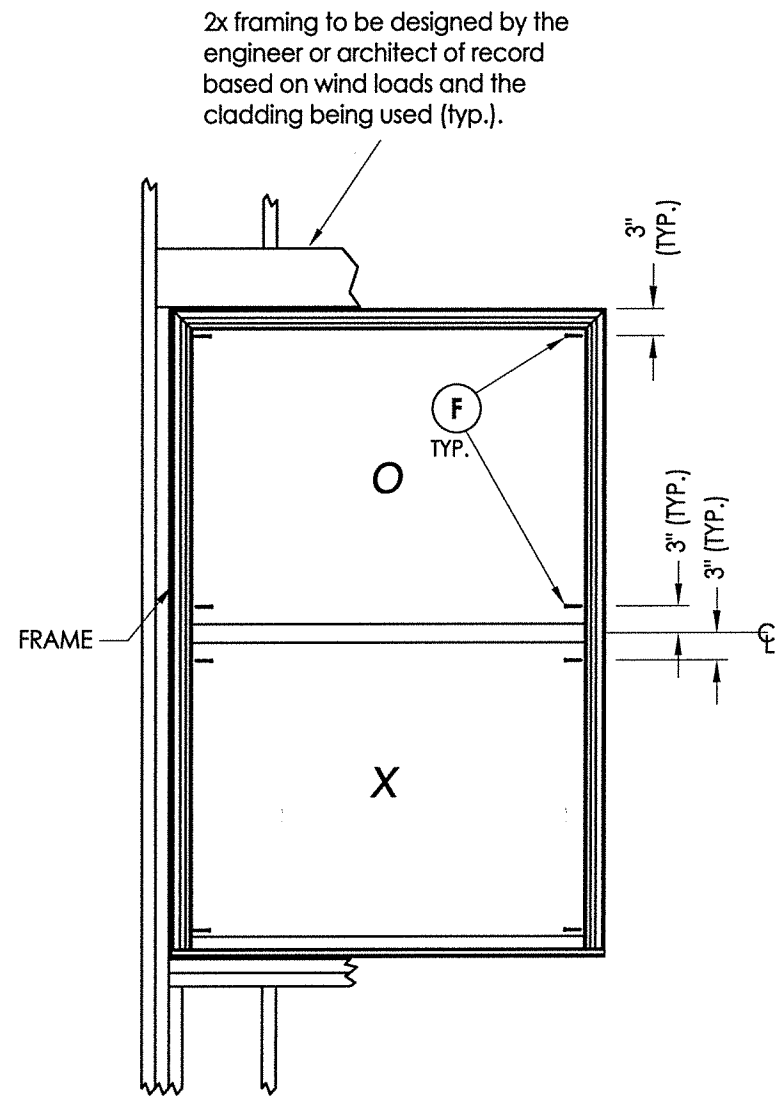
SCALE: N.T.S.

DWG. BY: JK

CHK. BY: LFS

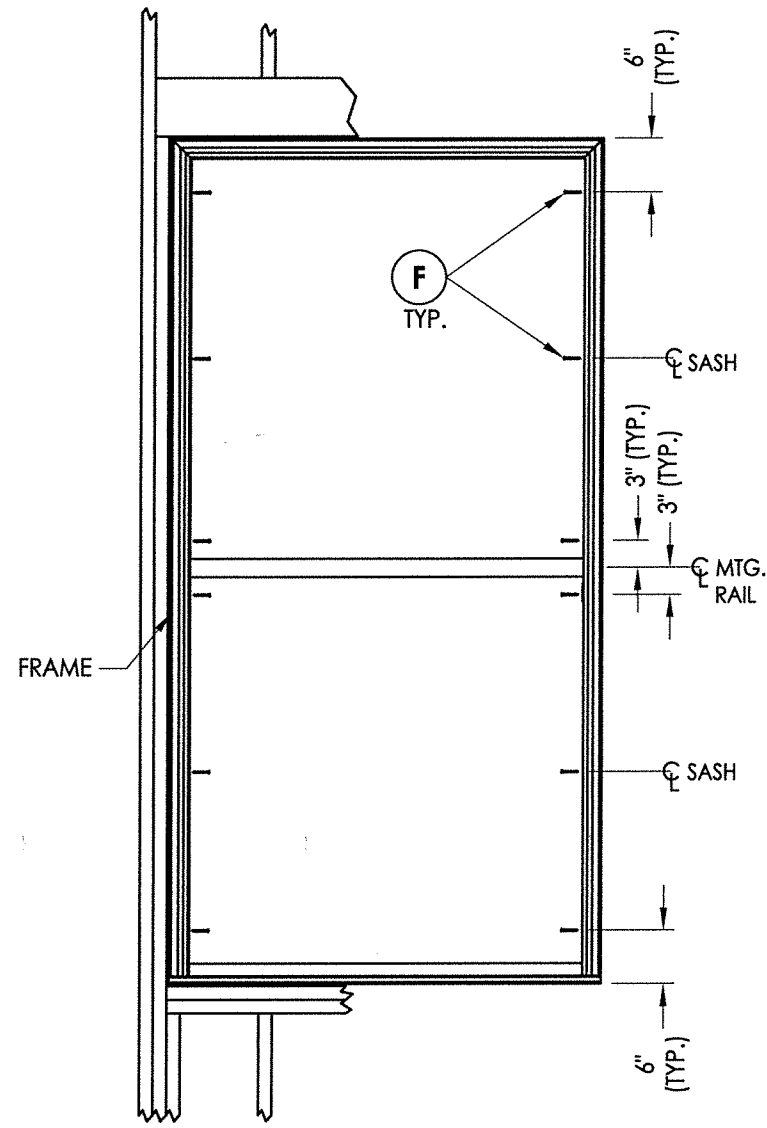
DRAWING NO.: TX-4471

SHEET 2 OF 4



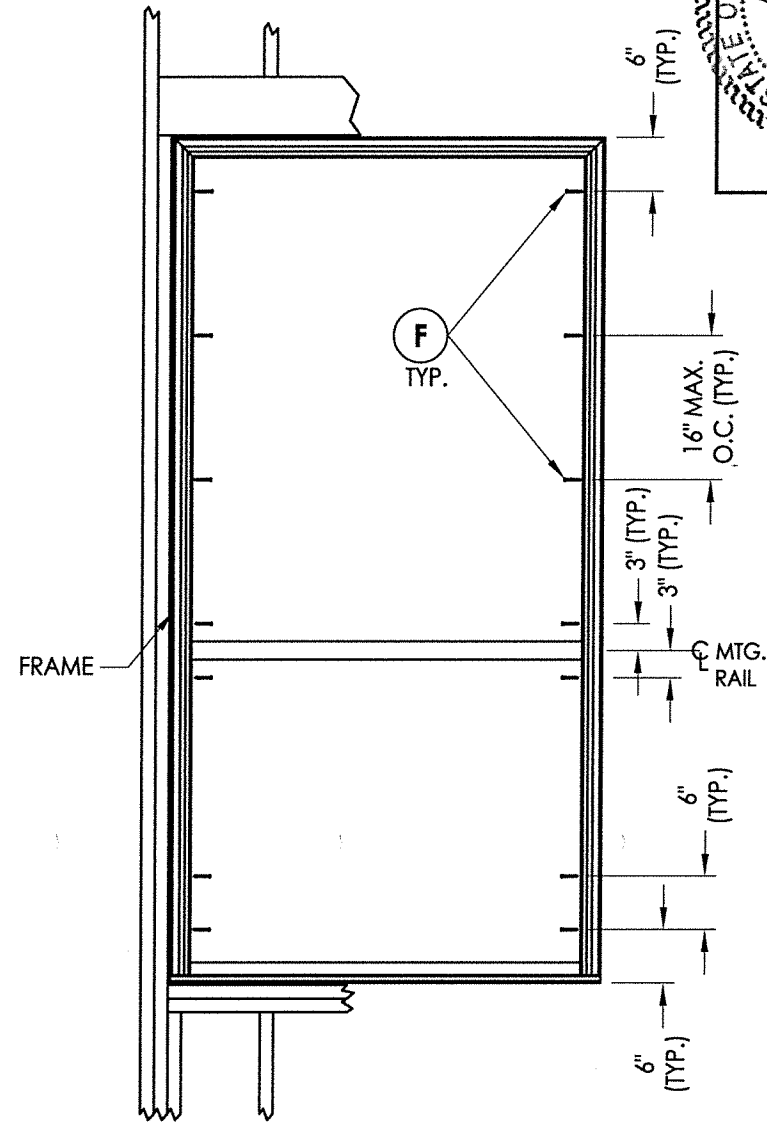
FRAME ANCHORING

UP TO 72" MAX. FRAME HEIGHT



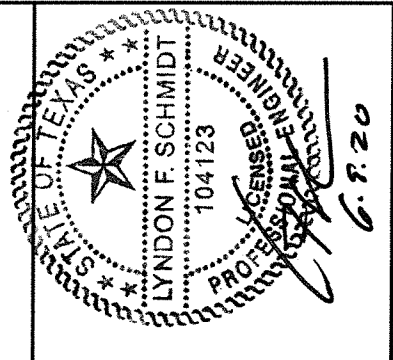
FRAME ANCHORING

UP TO 96" MAX. FRAME HEIGHT
(EQUAL LITES)



FRAME ANCHORING

UP TO 96" MAX. FRAME HEIGHT
(UNEQUAL LITES)



Documents Prepared By: Lyndon F. Schmidt, P.E.
TEXAS P.E. #104123

RW BUILDING CONSULTANTS, INC.
P.O. Box 230 Valrico FL, 33595
Phone No.: 813.659.9197

TEXAS BOARD OF PROFESSIONAL ENGINEERS
CERTIFICATE OF REGISTRATION # F-11852

PRODUCT: 5400/5400S SERIES
Vinyl Single Hung Window
PART OR ASSEMBLY:
BUCK AND
FRAME ANCHORING

NO.	DATE	REVISIONS
1	1/21/20	UPDATE TO 2018 IBC/IRC
		LFS
		BY

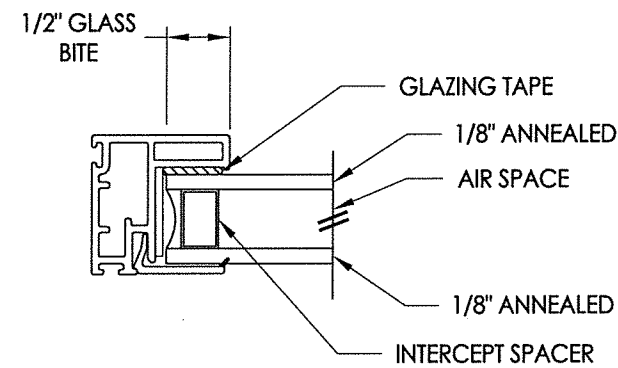
DATE: 4/27/16
SCALE: N.T.S.
DWG. BY: JK
CHK. BY: LFS
DRAWING NO.: TX-4471
SHEET 3 OF 4

R:\Clients\Wincore PERMANENT\B - Texas Dept of Ins\Single Hung\WIN-1402 - 5400 5400S Series\C - Drawings\2018 IBC UPDATE\TX-4470.4471.dwg, 4.2

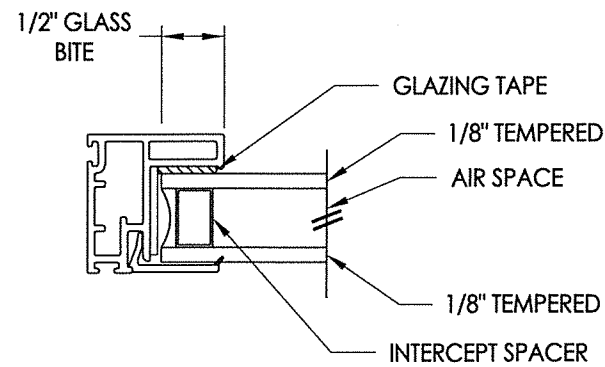
BILL OF MATERIALS

ITEM #	DESCRIPTION	MATERIAL
B	2X FRAMING (SG >= 0.42)	WOOD
C	1/4" MAX. SHIM SPACE	-
F	#8 X 2" PH WOOD SCREW (1-3/8" MIN. EMBEDMENT)	STEEL
1	FRAME HEAD AND JAMB*	PVC
2	SILL*	PVC
5	SASH STILE*	PVC
6	GLAZING BEAD*	PVC
9	LOCK RAIL LOWER SASH*	PVC
10	STAYBAR*	PVC
12	BOTTOM RAIL LOWER SASH*	PVC
16	WEATHERSTRIP ULTRA FAB .270 PILE - 270 -1875B	-
17	WEATHERSTRIP SILLBULB (AMESBURY 32690)	-
20	LOCK 8513 / 8845 LAWRENCE	PVC
21	KEEPER 2700 - 214 LAWRENCE	PVC
23	#6 X 3/4" PFH (VINYL LOCK SCREWS)	STEEL
24	SASH TILT LATCH - ASHLAND	PVC
26	#6 X 1/2" PFH (VINYL LOCK SCREWS)	STEEL
30	REINFORCEMENT (FIXED MEETING RAIL) ALUM. 6063-T6	ALUM
31	REINFORCEMENT (MEETING RAIL) ALUM. 6063-T6	ALUM
32	REINFORCEMENT (SASH STILE) ALUM. 6063-T6	ALUM

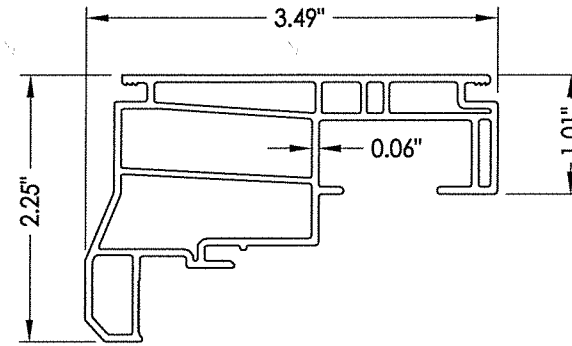
* THE APPROVED WHITE RIGID PVC EXTRUSIONS FOR WINDOWS ARE TO BE PRODUCED BY EXTRUDERS LICENSEES IN "AAMA CERTIFICATION PROGRAMS FOR RIGID PVC EXTRUSIONS".



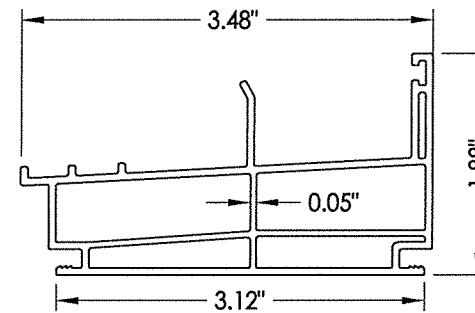
G1 GLAZING DETAIL



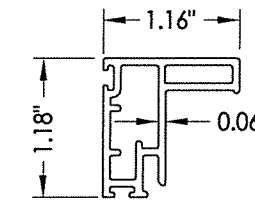
G2 GLAZING DETAIL



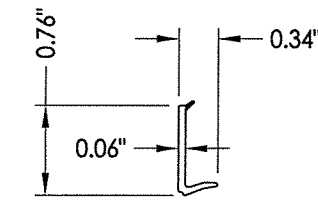
1 FRAME HEAD & JAMB



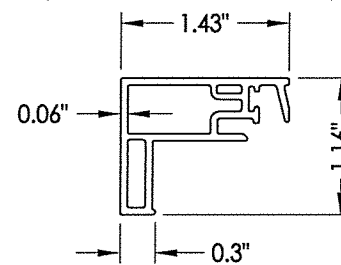
2 SILL



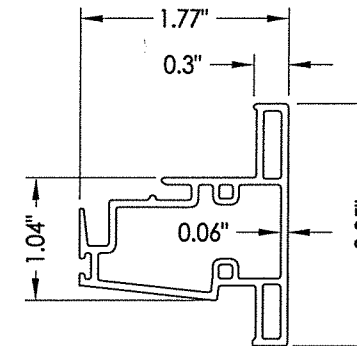
5 SASH STILE



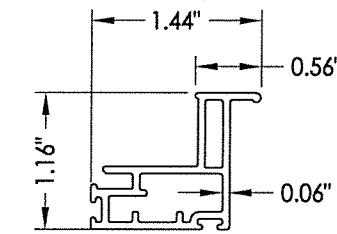
6 GLAZING BEAD



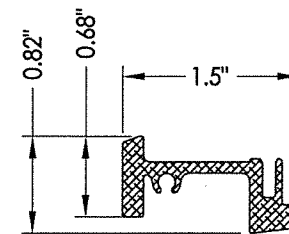
9 LOCK RAIL
Lower Sash



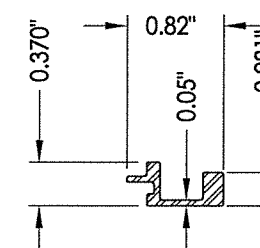
10 STAYBAR



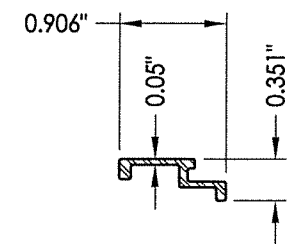
12 BOTTOM RAIL
Lower Sash



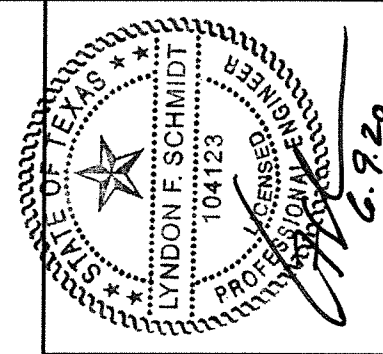
30 REINFORCEMENT
FIXED MEETING RAIL



31 REINFORCEMENT
MEETING RAIL



32 REINFORCEMENT
SASH STILE



Documents Prepared By: Lyndon F. Schmidt, P.E.
TEXAS P.E. #104123

RW BUILDING CONSULTANTS, INC.
P.O. Box 230 Valrico FL 33595
Phone No.: 813.659.9197

TEXAS BOARD OF PROFESSIONAL ENGINEERS
CERTIFICATE OF REGISTRATION # F-11852

PRODUCT: 5400/5400S SERIES
Vinyl Single Hung Window
PART OR ASSEMBLY:
BILL OF MATERIALS
COMPONENTS & GLAZING DETAILS

NO.	DATE	BY	REVISIONS
1	1/21/20	LFS	UPDATE TO 2018 IBC/IRC

DATE: 4/27/16

SCALE: N.T.S.

DWG. BY: JK

CHK. BY: LFS

DRAWING NO.: TX-4471

SHEET 4 OF 4