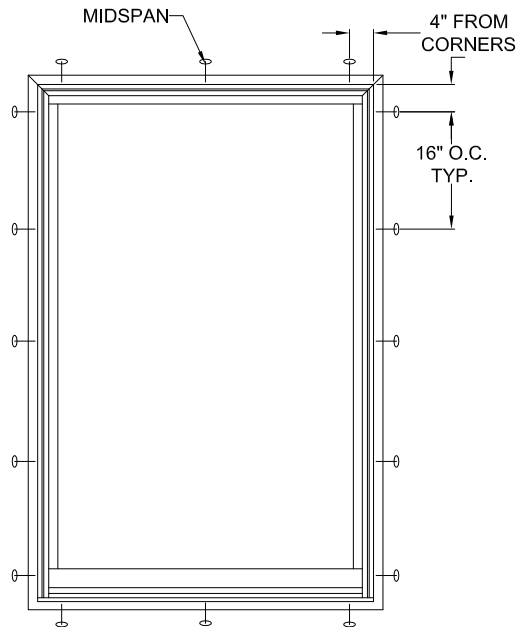
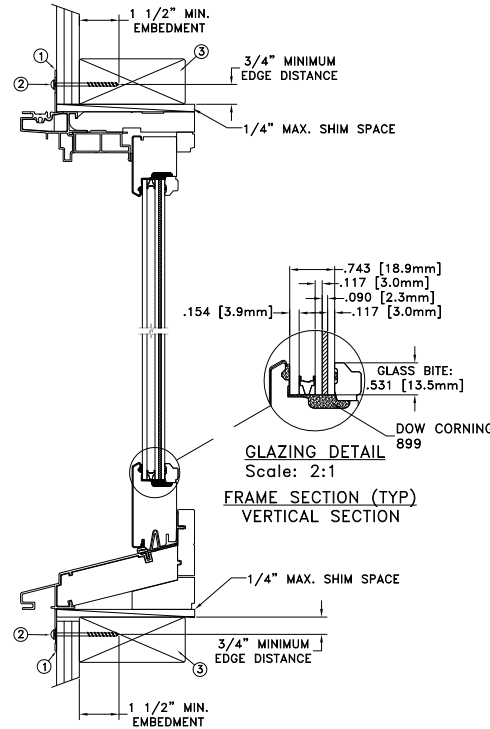


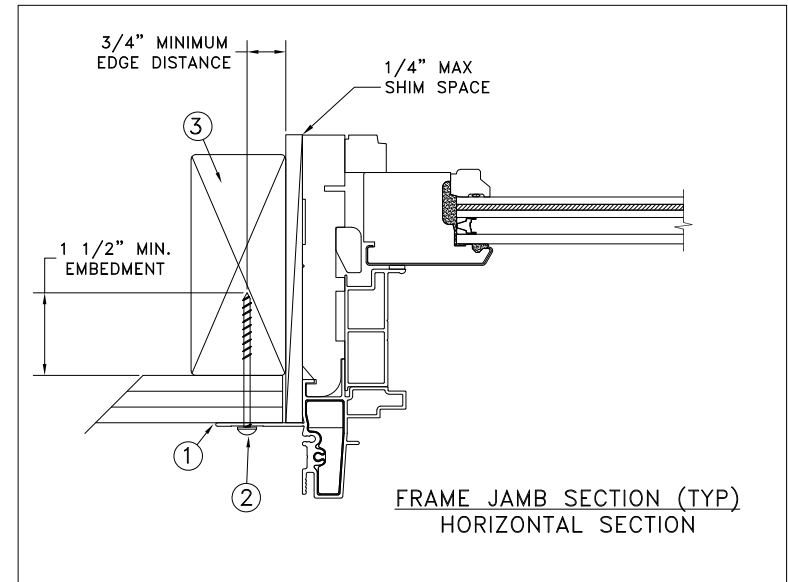
NAILFIN INSTALLATION



TYPICAL ELEVATION WITH FASTENER SPACING



GLAZING DETAIL
Scale: 2:1
FRAME SECTION (TYP)
VERTICAL SECTION



FRAME JAMB SECTION (TYP)
HORIZONTAL SECTION

MAXIMUM FRAME	DP	IMPACT
49 3/8 x 76	+50/-65	YES

WINDZONE 3

Installation Notes:

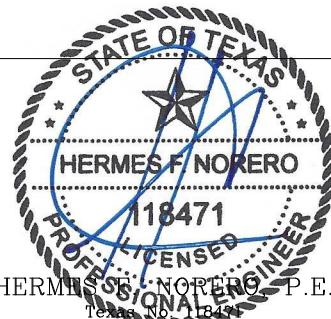
1. Seal flange/frame to substrate. Sill shall be set on a continuous serpentine bead of structural grade silicone caulk when no fastener is used to anchor the sill (typical).
2. Use #8 PH or greater fastener through the nailing flange with sufficient length to penetrate a minimum of 1 1/2" into the wood framing. For 2x wood frame substrate (min. S.G. = 0.42)
3. Host structure (wood buck, masonry, steel) to be designed and anchored to properly transfer all loads to the structure. The host structure is the responsibility of the architect or engineer of record for the project of installation.

General Notes:

1. The product shown herein is designed, tested and manufactured to comply with the wind load criteria of the 2018 International Residential Code (IRC), the 2018 International Building Code (IBC).
2. All glazing shall conform to ASTM E1300.
3. At minimum, glazing is 3.9mm annealed - 6.8mm airspace - 3.0mm annealed - 2.3mm PVB Interlayer by Kuraray - 3.0mm annealed insulating glass.
4. Use structural or composite shims where required.

This schedule addresses only the fasteners required to anchor the unit to achieve the rated design pressure and impact performance (where applicable) up to the size limitations noted. It is not intended as a guide to the installation process and does not address the sealing consideration that may arise in different wall conditions. For the complete installation procedure, see the instructions packaged with the unit or go to www.jeld-wen.com.

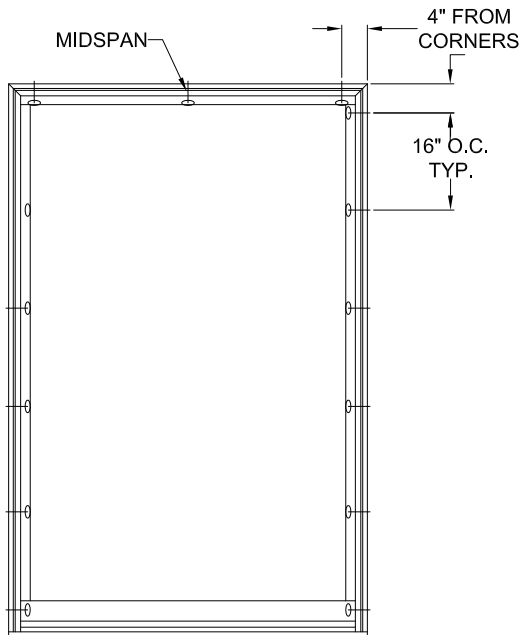
DISCLAIMER:
This drawing and its contents are confidential and are not to be reproduced or copied in whole or in part or used or disclosed to others except as authorized by JELD-WEN Inc.



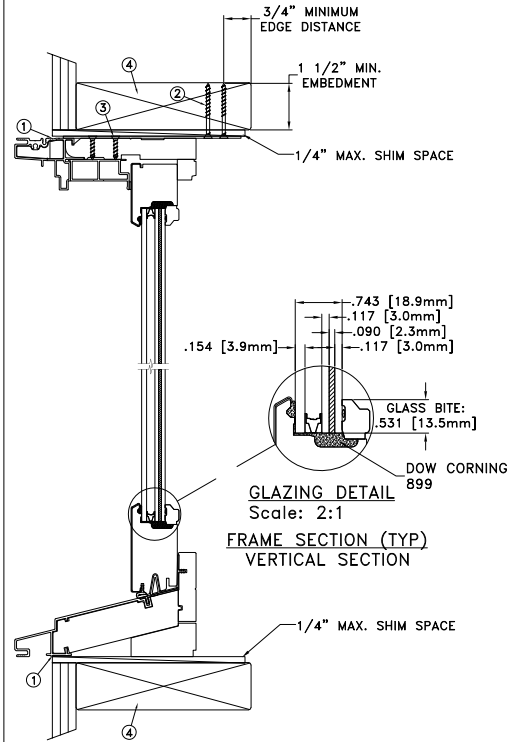
HERMES F. NORERO, P.E.
Texas No. 118471
398 East Dania Beach Blvd, Suite 338
Dania Beach, FL 33004

DATE: 07/11/2022		3737 LAKEPORT BLVD. KLAMATH FALLS OR, 97601 PHONE: (800) 535-3936
DRAWN BY: J.HAWKINS		SCALE: NTS
CHECKED BY: C.ABBOTT	TITLE: Custom Clad Double Hung Picture Window - Impact	
APPROVED BY: D.STOKES	RECORD No.:	
	D015446	
REPORT No.:	CAD DWG. No.:	REV: A SHEET 1 of 3
NCTL-310-19-036	CustCLDHPW Cert	

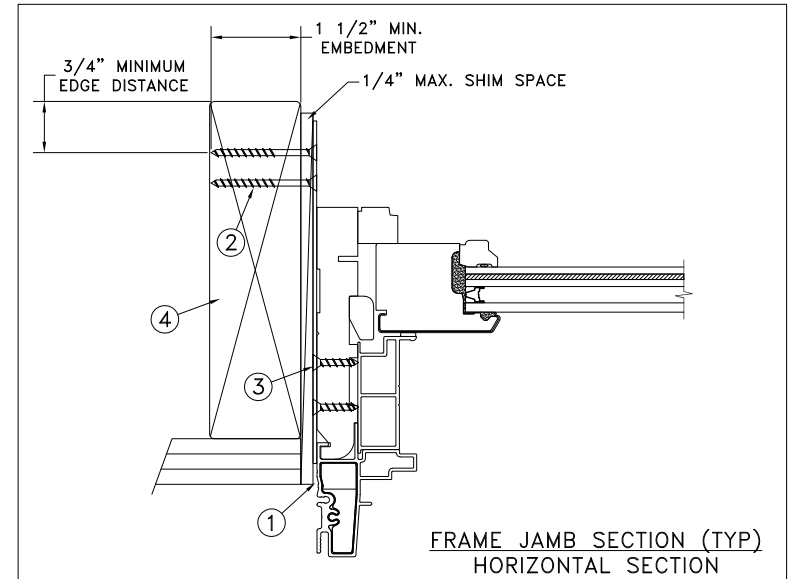
MASONRY STRAP
INSTALLATION



TYPICAL ELEVATION WITH FASTENER SPACING



GLAZING DETAIL
Scale: 2:1
FRAME SECTION (TYP)
VERTICAL SECTION



FRAME JAMB SECTION (TYP)
HORIZONTAL SECTION

MAXIMUM FRAME	DP	IMPACT
49 3/8 x 76	+50/-65	YES

WINDZONE 3

Installation Notes:

1. Seal flange/frame to substrate. Sill shall be set on a continuous serpentine bead of structural grade silicone caulk when no fastener is used to anchor the sill (typical).
2. Use 2 - #8 PFH or larger fasteners through masonry strap with sufficient length to penetrate a minimum of 1 1/2" into the buck. For 2x wood frame substrate (min. S.G. = 0.42).
3. Use 2 - #8 PFH or larger fasteners through masonry strap into jamb without penetrating through the jamb into product causing visibility or collateral damage to product.
4. Host structure (wood buck, masonry, steel) to be designed and anchored to properly transfer all loads to the structure. The host structure is the responsibility of the architect or engineer of record for the project of installation.

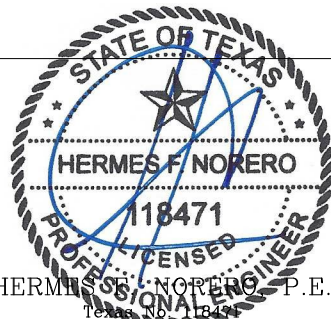
General Notes:

1. The product shown herein is designed, tested and manufactured to comply with the wind load criteria of the 2018 International Residential Code (IRC), the 2018 International Building Code (IBC).
2. All glazing shall conform to ASTM E1300.
3. At minimum, glazing is 3.9mm annealed - 6.8mm airspace - 3.0mm annealed - 2.3mm PVB Interlayer by Kuraray - 3.0mm annealed insulating glass.
4. Use structural or composite shims where required.
5. Masonry strap specifications: 20 Ga. galvanized steel, .036" min. thickness x 1.5" min. width.

This schedule addresses only the fasteners required to anchor the unit to achieve the rated design pressure and impact performance (where applicable) up to the size limitations noted. It is not intended as a guide to the installation process and does not address the sealing consideration that may arise in different wall conditions. For the complete installation procedure, see the instructions packaged with the unit or go to www.jeld-wen.com.

DISCLAIMER:

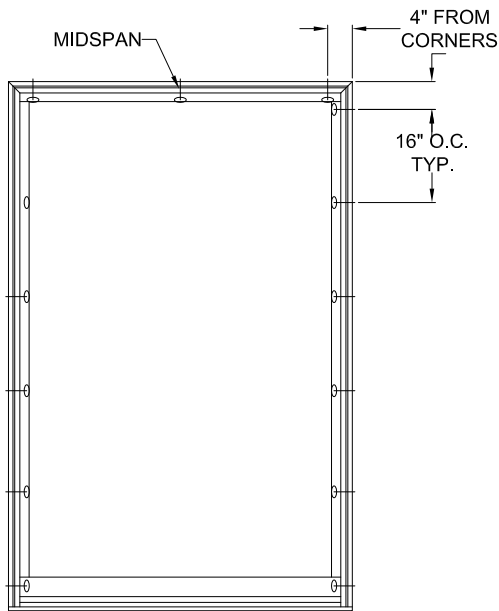
This drawing and its contents are confidential and are not to be reproduced or copied in whole or in part or used or disclosed to others except as authorized by JELD-WEN Inc.



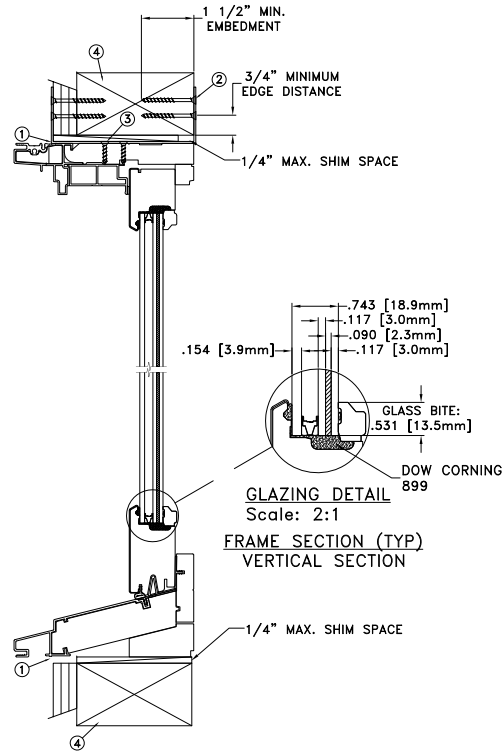
HERMES F. NORERO, P.E.
Texas No. 118471
398 East Dania Beach Blvd, Suite 338
Dania Beach, FL 33004

	DATE: 07/11/2022	JELD-WEN 3737 LAKEPORT BLVD. KLAMATH FALLS OR, 97601 PHONE: (800) 535-3936
DRAWN BY: J.HAWKINS	SCALE: NTS	
CHECKED BY: C.ABBOTT	TITLE: Custom Clad Double Hung Picture Window - Impact	
APPROVED BY: D.STOKES		
RECORD No.:	D015446	
REPORT No.:	NCTL-310-19-036	
CAD DWG. No.:	CustCLDHPW Cert	REV: A SHEET 2 of 3

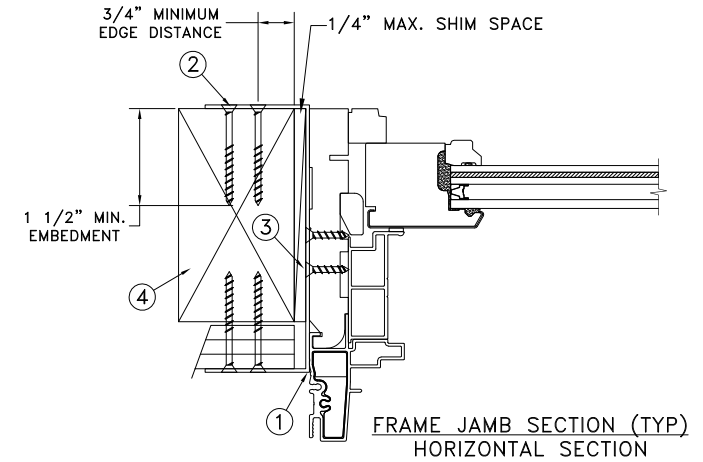
MASONRY STRAP
INSTALLATION



TYPICAL ELEVATION WITH FASTENER SPACING



GLAZING DETAIL
Scale: 2:1
FRAME SECTION (TYP)
VERTICAL SECTION



FRAME JAMB SECTION (TYP)
HORIZONTAL SECTION

MAXIMUM FRAME	DP	IMPACT
49 3/8 x 76	+50/-65	YES

WINDZONE 3

Installation Notes:

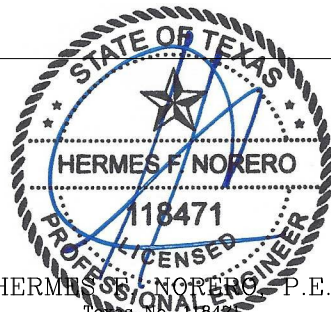
1. Seal flange/frame to substrate. Sill shall be set on a continuous serpentine bead of structural grade silicone caulk when no fastener is used to anchor the sill (typical).
2. Use min. 2 - #8 PFH or larger fasteners through masonry strap with sufficient length to penetrate a minimum of 1 1/2" into the buck. Bend straps around both sides of the buck.
3. Use min. 2 - #8 PFH or larger fasteners through masonry strap into jamb without penetrating through the jamb into product causing visibility or collateral damage to product.
4. Host structure (wood buck, masonry, steel) to be designed and anchored to properly transfer all loads to the structure. The host structure is the responsibility of the architect or engineer of record for the project of installation.

General Notes:

1. The product shown herein is designed, tested and manufactured to comply with the wind load criteria of the 2018 International Residential Code (IRC), the 2018 International Building Code (IBC).
2. All glazing shall conform to ASTM E1300.
3. At minimum, glazing is 3.9mm annealed - 6.8mm airspace - 3.0mm annealed - 2.3mm PVB Interlayer by Kuraray - 3.0mm annealed insulating glass.
4. Use structural or composite shims where required.
5. Masonry strap specifications: 20 Ga. galvanized steel, .036" min. thickness x 1.5" min. width.

This schedule addresses only the fasteners required to anchor the unit to achieve the rated design pressure and impact performance (where applicable) up to the size limitations noted. It is not intended as a guide to the installation process and does not address the sealing consideration that may arise in different wall conditions. For the complete installation procedure, see the instructions packaged with the unit or go to www.jeld-wen.com.

DISCLAIMER:
This drawing and its contents are confidential and are not to be reproduced or copied in whole or in part or used or disclosed to others except as authorized by JELD-WEN Inc.



HERMES F. NORERO - P.E.
Texas No. 118471
398 East Dania Beach Blvd, Suite 338
Dania Beach, FL 33004

DATE: 07/11/2022	JELD-WEN 3737 LAKEPORT BLVD. KLAMATH FALLS OR, 97601 PHONE: (800) 535-3936		
DRAWN BY: J.HAWKINS			
CHECKED BY: C.ABBOTT	TITLE: Custom Clad Double Hung Picture Window - Impact		
APPROVED BY: D.STOKES			
RECORD No.: D015446			
REPORT No.: NCTL-310-19-036	CAD DWG. No.: CustCLDHPW Cert	REV: A	SHEET 3 of 3