

| REVISIONS | | | |
|-----------|----------------------|------------|----------|
| REV | DESCRIPTION | DATE | APPROVED |
| A | REVISED PER NEW CODE | 12/14/2021 | R.L. |

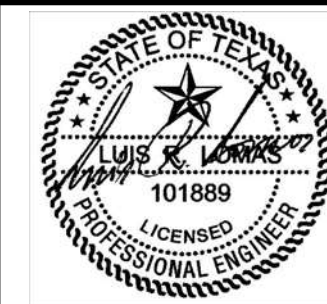
NOTES:

1. THE PRODUCT SHOWN HEREIN IS DESIGNED AND MANUFACTURED TO COMPLY WITH REQUIREMENTS OF THE 2018 IBC AND 2018 IRC.
2. WOOD FRAMING AND MASONRY OPENING TO BE DESIGNED AND ANCHORED TO PROPERLY TRANSFER ALL LOADS TO STRUCTURE. FRAMING AND MASONRY OPENING IS THE RESPONSIBILITY OF THE ARCHITECT OR ENGINEER OF RECORD.
3. 1X BUCK OVER MASONRY/CONCRETE IS OPTIONAL. WHERE 1X BUCK IS NOT USED DISSIMILAR MATERIALS MUST BE SEPARATED WITH APPROVED COATING OR MEMBRANE. SELECTION OF COATING OR MEMBRANE IS THE RESPONSIBILITY OF THE ARCHITECT OR ENGINEER OF RECORD.
4. ALLOWABLE STRESS INCREASE OF 1/3 WAS NOT USED IN THE DESIGN OF THE PRODUCT SHOWN HEREIN. WIND LOAD DURATION FACTOR Cd=1.6 WAS USED FOR WOOD ANCHOR CALCULATIONS.
5. FRAME MATERIAL: EXTRUDED RIGID PVC.
6. UNITS MUST BE GLAZED PER ASTM E1300, SEE SHEET 2 FOR GLASS DETAILS.
7. APPROVED IMPACT PROTECTIVE SYSTEM IS NOT REQUIRED FOR THIS PRODUCT IN WIND BORNE DEBRIS REGIONS.
8. SHIM AS REQUIRED AT EACH INSTALLATION ANCHOR WITH LOAD BEARING SHIM. SHIM WHERE SPACE OF 1/16" OR GREATER OCCURS. MAXIMUM ALLOWABLE SHIM STACK TO BE 1/4".
9. FOR ANCHORING THROUGH FIN INTO WOOD FRAMING OR 2X BUCK USE #8 WOOD SCREWS WITH SUFFICIENT LENGTH TO ACHIEVE A 1 1/4" MINIMUM EMBEDMENT INTO SUBSTRATE. LOCATE ANCHORS AS SHOWN IN ELEVATIONS AND INSTALLATION DETAILS.
10. FOR ANCHORING THROUGH FIN INTO WOOD FRAMING OR 2X BUCK USE 6D COMMON NAILS WITH SUFFICIENT LENGTH TO ACHIEVE A 1 1/2" MINIMUM EMBEDMENT INTO SUBSTRATE.
LOCATE ANCHORS AS SHOWN IN ELEVATIONS AND INSTALLATION DETAILS.
11. FOR ANCHORING THROUGH FRAME INTO WOOD FRAMING OR 2X BUCK USE #10 WOOD SCREWS WITH SUFFICIENT LENGTH TO ACHIEVE A 1 1/4" MINIMUM EMBEDMENT INTO SUBSTRATE. LOCATE ANCHORS AS SHOWN IN ELEVATIONS AND INSTALLATION DETAILS.
12. FOR ANCHORING THROUGH FRAME INTO MASONRY/CONCRETE USE 3/16" TAPCONS WITH SUFFICIENT LENGTH TO ACHIEVE A 1 1/4" MINIMUM EMBEDMENT INTO SUBSTRATE WITH 2" MINIMUM EDGE DISTANCE. LOCATE ANCHORS AS SHOWN IN ELEVATIONS AND INSTALLATION DETAILS.
13. FOR ANCHORING INTO THROUGH FRAME METAL STRUCTURE USE #10 SMS OR SELF DRILLING SCREWS WITH SUFFICIENT LENGTH TO ACHIEVE 3 THREADS MINIMUM BEYOND STRUCTURE INTERIOR WALL. LOCATE ANCHORS AS SHOWN IN ELEVATIONS AND INSTALLATION DETAILS.
14. ALL FASTENERS TO BE CORROSION RESISTANT.
15. INSTALLATION ANCHORS SHALL BE INSTALLED IN ACCORDANCE WITH ANCHOR MANUFACTURER'S INSTALLATION INSTRUCTIONS AND ANCHORS SHALL NOT BE USED IN SUBSTRATES WITH STRENGTHS LESS THAN THE MINIMUM STRENGTH SPECIFIED BELOW:
 - A. WOOD – MINIMUM SPECIFIC GRAVITY OF G=0.42
 - B. CONCRETE – MINIMUM COMPRESSIVE STRENGTH OF 3,192 PSI.
 - C. MASONRY – STRENGTH CONFORMANCE TO ASTM C-90, GRADE N, TYPE 1 (OR GREATER).
 - D. METAL STRUCTURE: STEEL 18GA, 33KSI OR ALUMINUM 6063-T5 1/8" THICK MINIMUM

SIGNED: 02/02/2022

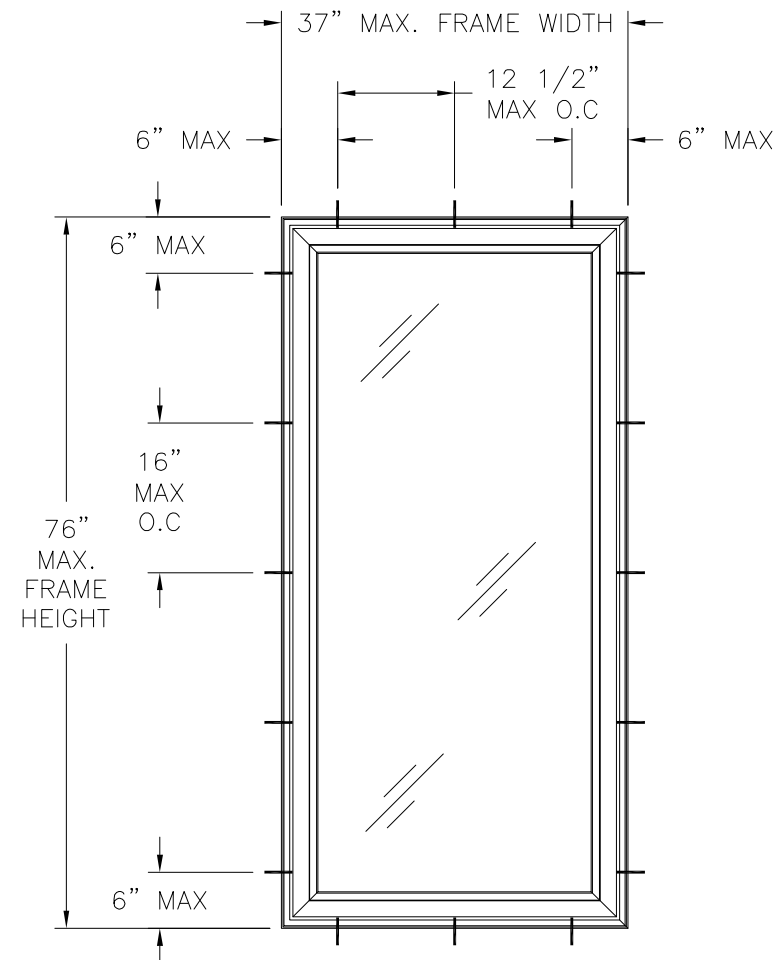
| TABLE OF CONTENTS | |
|-------------------|----------------------|
| SHEET NO. | DESCRIPTION |
| 1 | NOTES |
| 2 | ELEVATIONS |
| 3 – 7 | INSTALLATION DETAILS |

| | | |
|---|---------------------|-----------------|
| SHOWCASE CUSTOM WINDOWS & DOORS 12613 CITYPARK DRIVE, SUITE 100 MISSOURI CITY, TX 77489 | | |
| MODEL 143.191 CA REP/NC VINYL CASEMENT WINDOW, IMPACT 37" X 76" NOTES | | |
| DRAWN: A.R. | DWG NO. 08-03103 | REV A |
| SCALE NTS | DATE 05/01/17 | SHEET 1 OF 7 |
| L. ROBERTO LOMAS P.E. 1432 WOODFORD RD LEWISVILLE, NC 27023 434-688-0609 rllomas@rlomaspe.com | | |

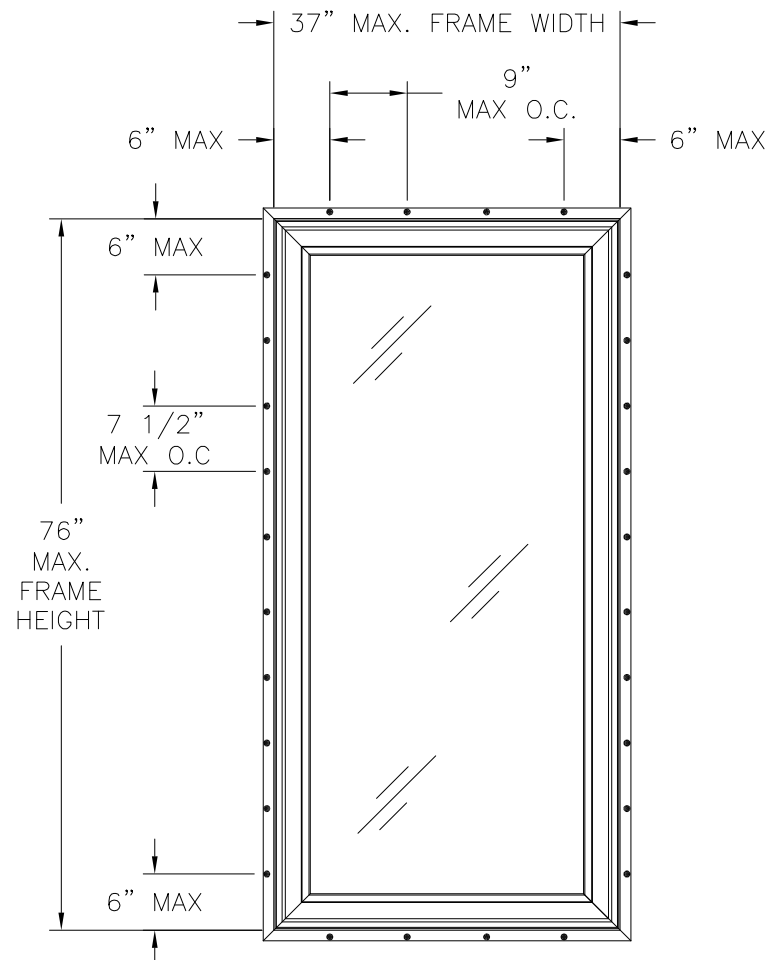


Luis R. Lomas P.E.
TX No.: 101889
Firm No: F-23130

| REVISIONS | | | |
|-----------|----------------------|------------|----------|
| REV | DESCRIPTION | DATE | APPROVED |
| A | REVISED PER NEW CODE | 12/14/2021 | R.L. |



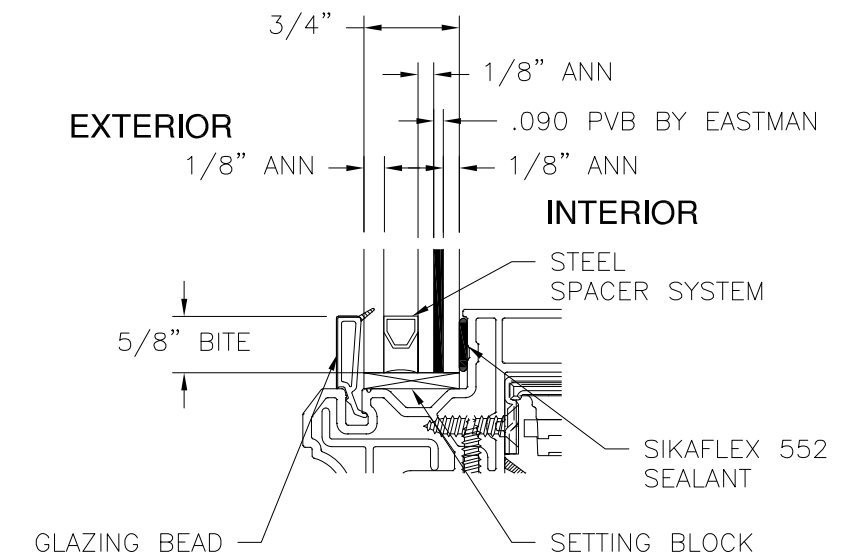
MODEL 143.191 CA REP VINYL CASEMENT WINDOW
EXTERIOR VIEW
FRAME INSTALLATION



MODEL 143.191 CA NC VINYL CASEMENT WINDOW
EXTERIOR VIEW
FIN INSTALLATION

NOTES:

- SASH SIZE: 35 3/8" x 73 1/8"
- D.L.O.: 32 1/16" x 71 1/16"



GLAZING DETAIL

| DESIGN PRESSURE RATING | IMPACT RATING |
|------------------------|--------------------------------|
| ±50.0PSF | LARGE AND SMALL MISSILE IMPACT |

MISSILE LEVEL D, WIND ZONE 4

SIGNED: 02/02/2022

| HARDWARE SCHEDULE | |
|-------------------|---|
| A. | (1) MAXIM HINGED DUAL ARM OPERATOR AT 9" FROM CORNER OF FRAME SILL |
| B. | (1) MAXIM MULTI-POINT LOCK BAR WITH KEEPERS AT 9" FROM CORNER OF FRAME LOCK JAMB |
| C. | (4) KEEPER LOCKING POINT ON SASH LOCK STILE AT 4", 24", 45" & 65" FROM SASH BOTTOM RAIL |
| D. | (4) LONG ALUMINUM IMPACT SNUBBERS AT 14", 29", 45" & 60" ON FRAME HINGE JAMB |
| E. | (1) EXTRUDED ALUMINUM REINFORCEMENT (10500006-A) AT EXTERIOR LEG OF SASH STILES AND RAILS |
| F. | (2) EXTRUDED ALUMINUM REINFORCEMENT (10300091) AT INTERIOR LEG OF SASH STILES AND EACH FRAME JAMB |

SHOWCASE CUSTOM WINDOWS & DOORS
12613 CITYPARK DRIVE, SUITE 100
MISSOURI CITY, TX 77489

MODEL 143.191 CA REP/NC
VINYL CASEMENT WINDOW, IMPACT 37" X 76"
ELEVATIONS

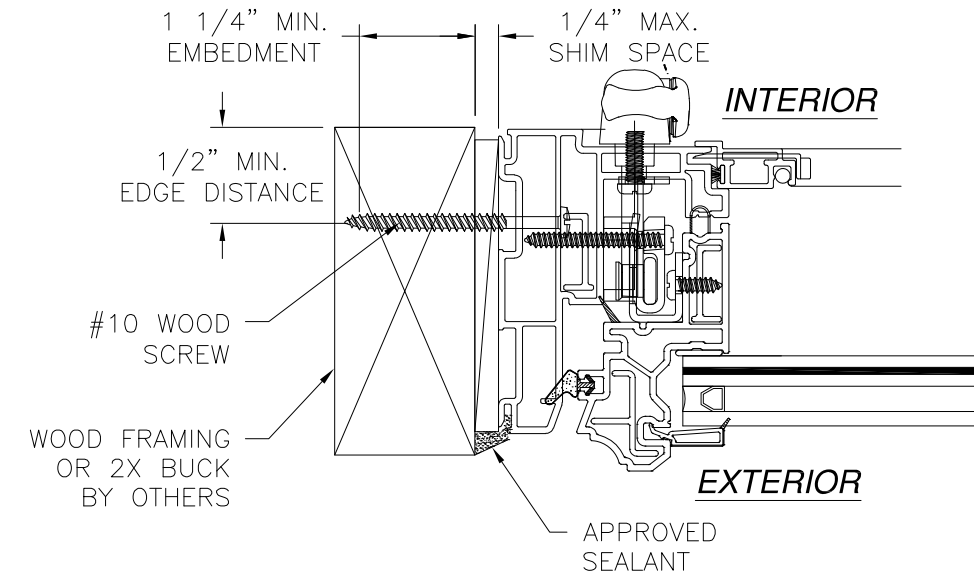
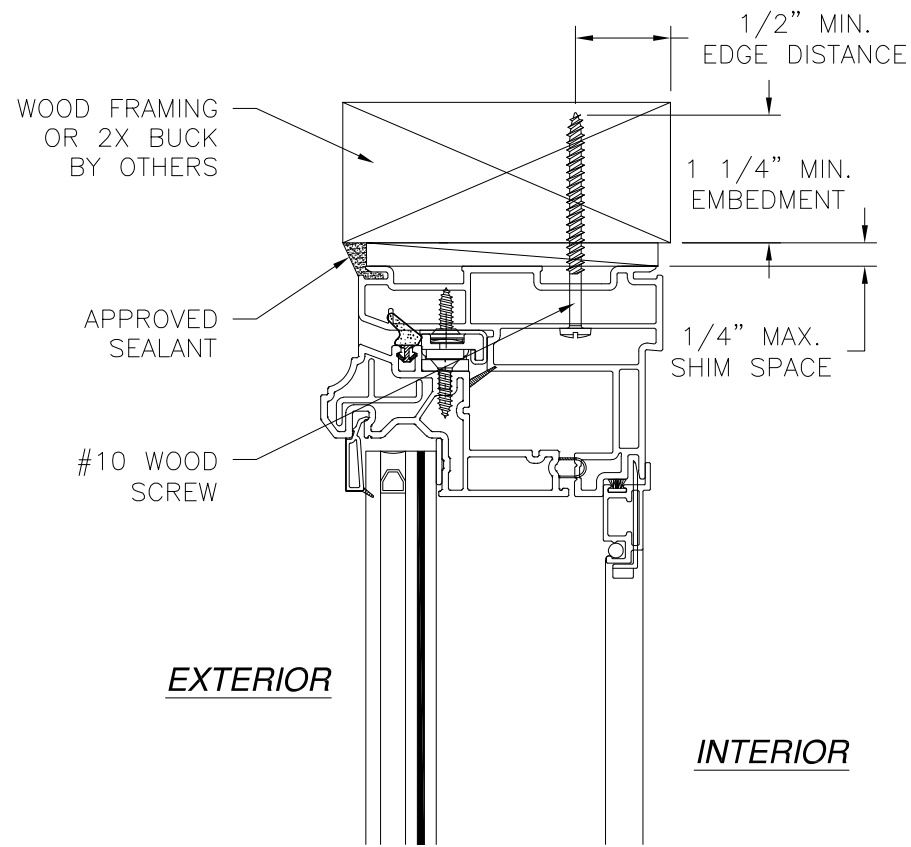
| | | |
|----------------|---------------------|--------------|
| DRAWN: A.R. | DWG NO. 08-03103 | REV A |
| SCALE NTS | DATE 05/01/17 | SHEET 2 OF 7 |

L. ROBERTO LOMAS P.E.
1432 WOODFORD RD LEWISVILLE, NC 27023
434-688-0609 rllomas@rlomaspe.com

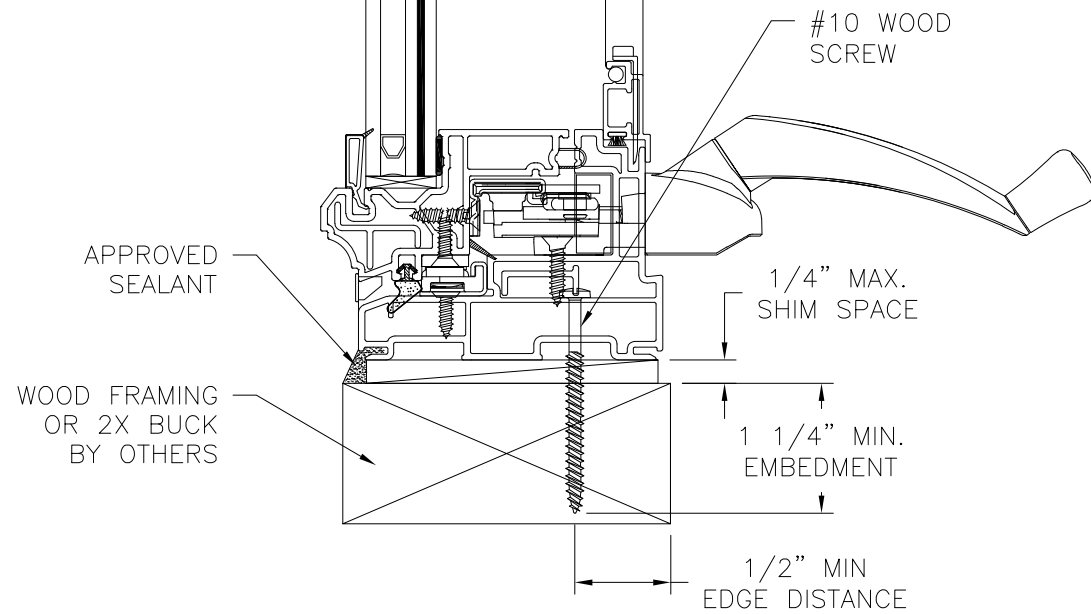


Luis R. Lomas P.E.
TX No.: 101889
Firm No: F-23130

| REVISIONS | | | |
|-----------|----------------------|------------|----------|
| REV | DESCRIPTION | DATE | APPROVED |
| A | REVISED PER NEW CODE | 12/14/2021 | R.L. |



JAMB INSTALLATION DETAIL
WOOD FRAMING OR 2X BUCK INSTALLATION



VERTICAL CROSS SECTION
WOOD FRAMING OR 2X BUCK INSTALLATION

NOTES:

1. INTERIOR AND EXTERIOR FINISHES, BY OTHERS, NOT SHOWN FOR CLARITY.
2. PERIMETER AND JOINT SEALANT BY OTHERS TO BE DESIGNED IN ACCORDANCE WITH ASTM E2112

SIGNED: 02/02/2022

SHOWCASE CUSTOM WINDOWS & DOORS
12613 CITYPARK DRIVE, SUITE 100
MISSOURI CITY, TX 77489

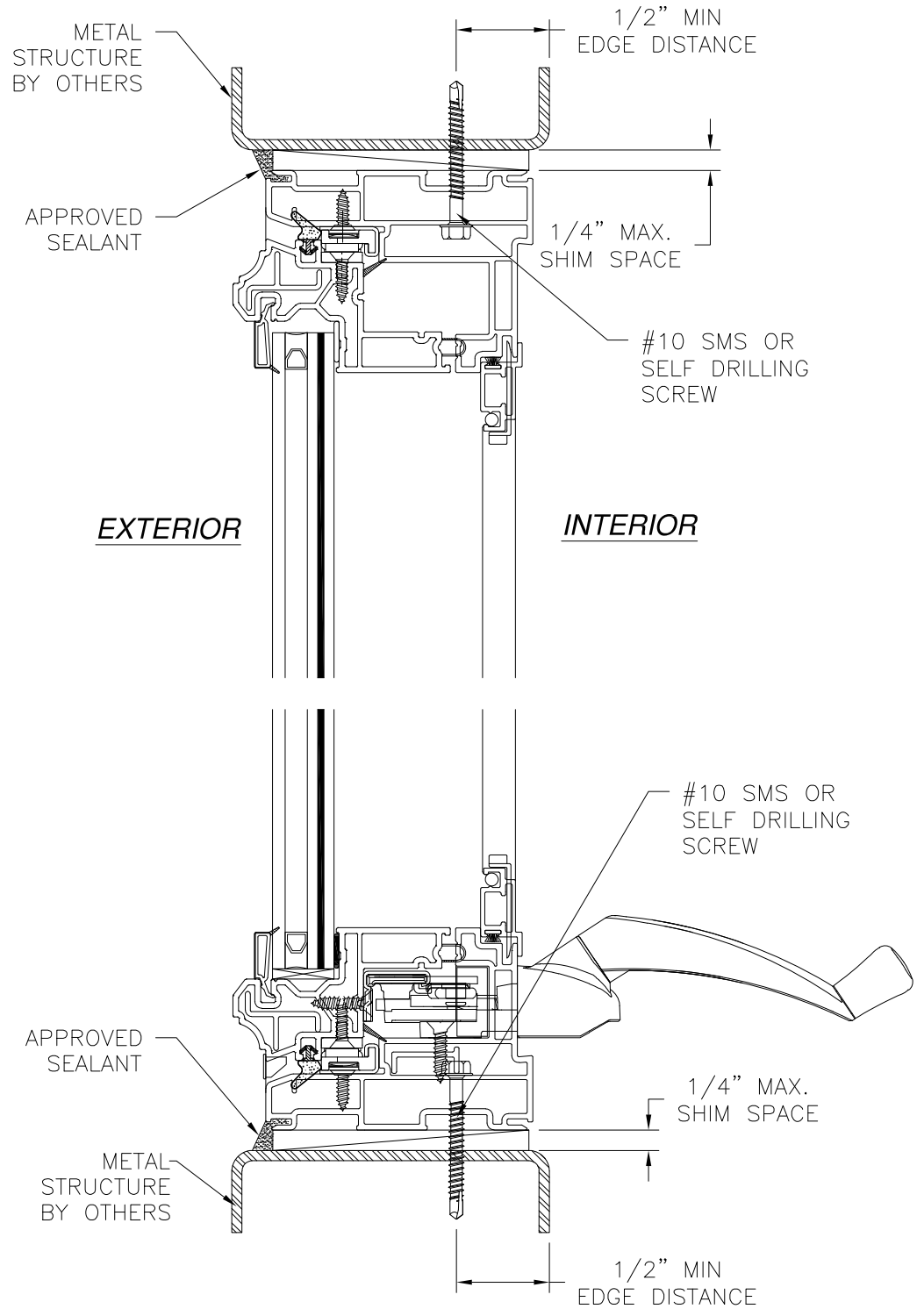
MODEL 143.191 CA REP/NC
VINYL CASEMENT WINDOW, IMPACT 37" X 76"
INSTALLATION DETAILS

| | | |
|--|---------------------|-----------------|
| DRAWN: A.R. | DWG NO. 08-03103 | REV A |
| SCALE NTS | DATE 05/01/17 | SHEET 3 OF 7 |
| L. ROBERTO LOMAS P.E. 1432 WOODFORD RD LEWISVILLE, NC 27023 434-688-0609 rllomas@lrlomaspe.com | | |

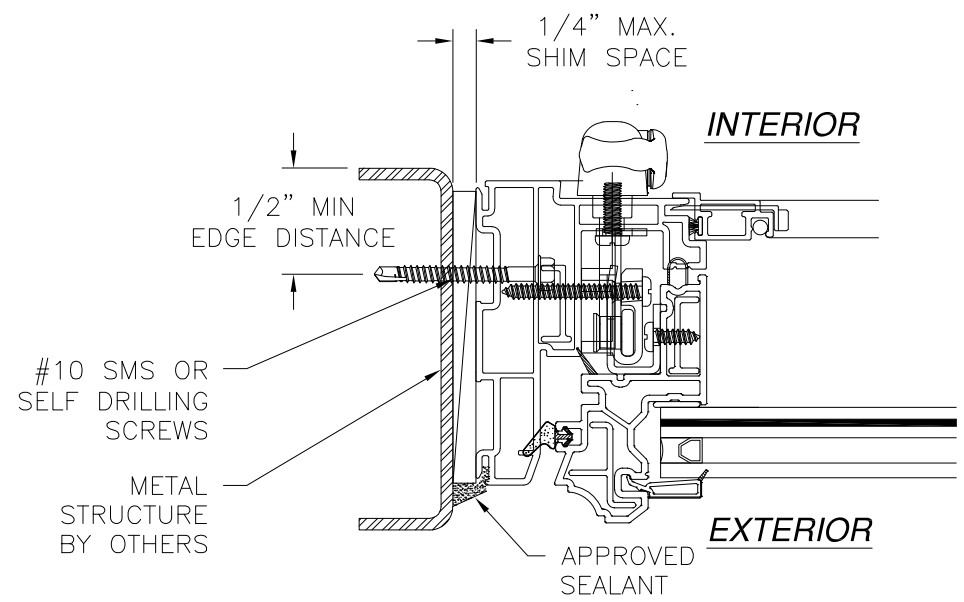


Luis R. Lomas P.E.
TX No.: 101889
Firm No: F-23130

| REVISIONS | | | |
|-----------|----------------------|------------|----------|
| REV | DESCRIPTION | DATE | APPROVED |
| A | REVISED PER NEW CODE | 12/14/2021 | R.L. |



VERTICAL CROSS SECTION
METAL STRUCTURE INSTALLATION



JAMB INSTALLATION DETAIL
METAL STRUCTURE INSTALLATION

- NOTES:**
1. INTERIOR AND EXTERIOR FINISHES, BY OTHERS, NOT SHOWN FOR CLARITY.
 2. PERIMETER AND JOINT SEALANT BY OTHERS TO BE DESIGNED IN ACCORDANCE WITH ASTM E2112

SIGNED: 02/02/2022

SHOWCASE CUSTOM WINDOWS & DOORS
12613 CITYPARK DRIVE, SUITE 100
MISSOURI CITY, TX 77489

MODEL 143.191 CA REP/NC
VINYL CASEMENT WINDOW, IMPACT 37" X 76"
INSTALLATION DETAILS

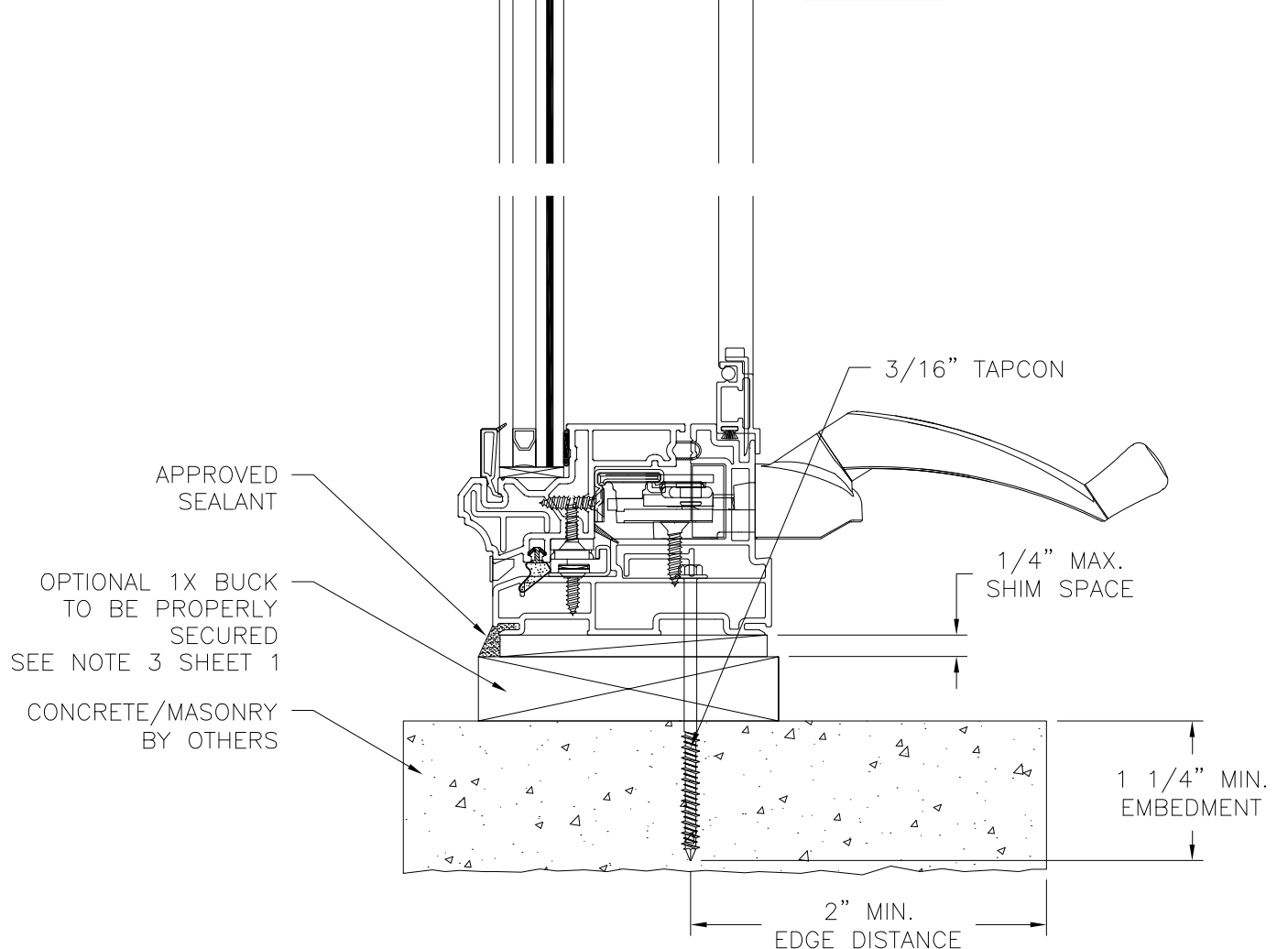
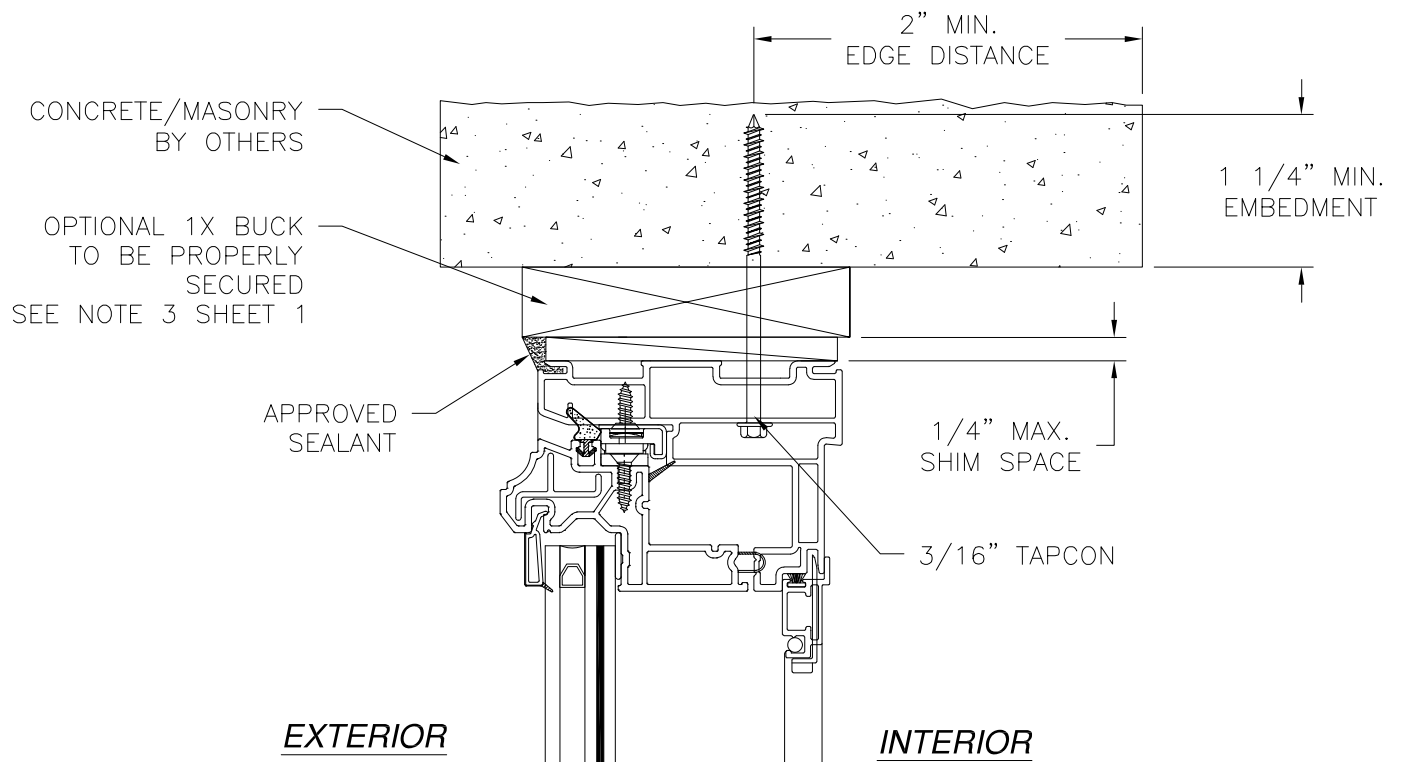
| | | |
|----------------|---------------------|--------------|
| DRAWN: A.R. | DWG NO. 08-03103 | REV A |
| SCALE NTS | DATE 05/01/17 | SHEET 4 OF 7 |

L. ROBERTO LOMAS P.E.
1432 WOODFORD RD LEWISVILLE, NC 27023
434-688-0609 rllomas@lrlomaspe.com

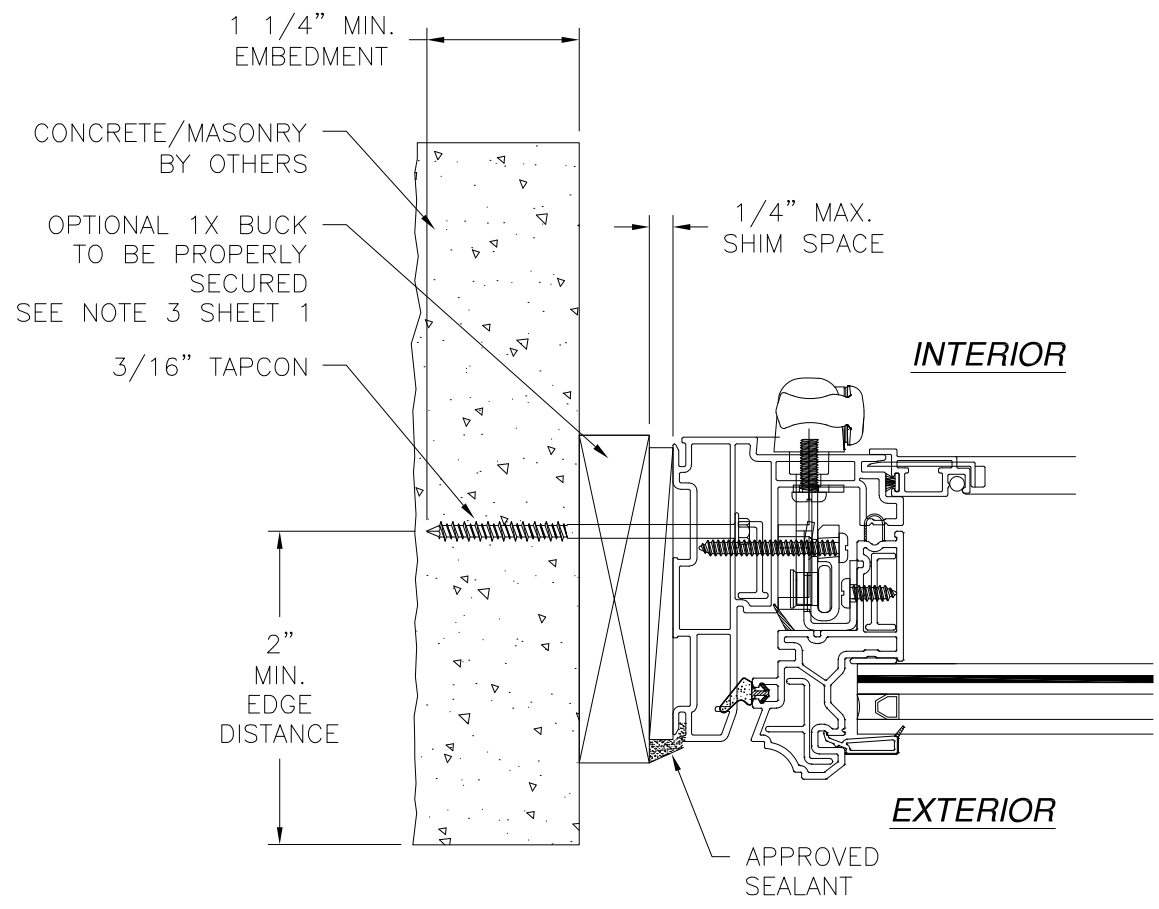


Luis R. Lomas P.E.
TX No.: 101889
Firm No: F-23130

| REVISIONS | | | |
|-----------|----------------------|------------|----------|
| REV | DESCRIPTION | DATE | APPROVED |
| A | REVISED PER NEW CODE | 12/14/2021 | R.L. |



VERTICAL CROSS SECTION
CONCRETE/MASONRY INSTALLATION



JAMB INSTALLATION DETAIL
CONCRETE/MASONRY INSTALLATION

- NOTES:**
1. INTERIOR AND EXTERIOR FINISHES, BY OTHERS, NOT SHOWN FOR CLARITY.
 2. PERIMETER AND JOINT SEALANT BY OTHERS TO BE DESIGNED IN ACCORDANCE WITH ASTM E2112

SIGNED: 02/02/2022

SHOWCASE CUSTOM WINDOWS & DOORS
12613 CITYPARK DRIVE, SUITE 100
MISSOURI CITY, TX 77489

MODEL 143.191 CA REP/NC
VINYL CASEMENT WINDOW, IMPACT 37" X 76"
INSTALLATION DETAILS

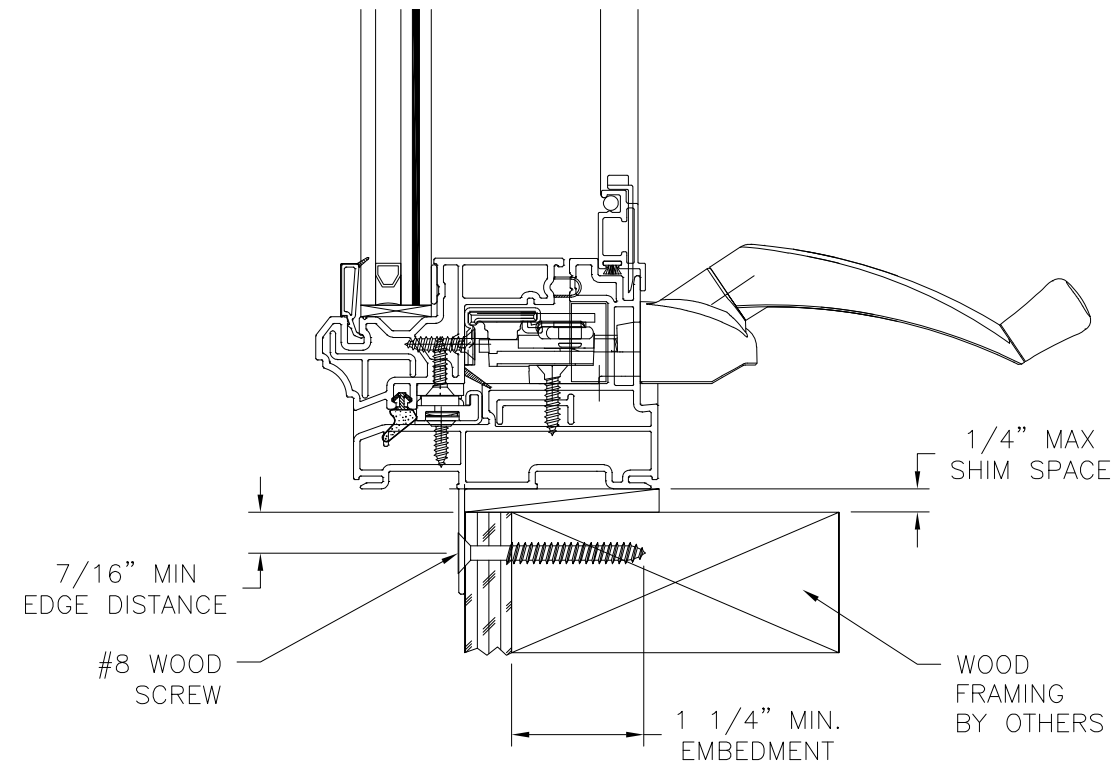
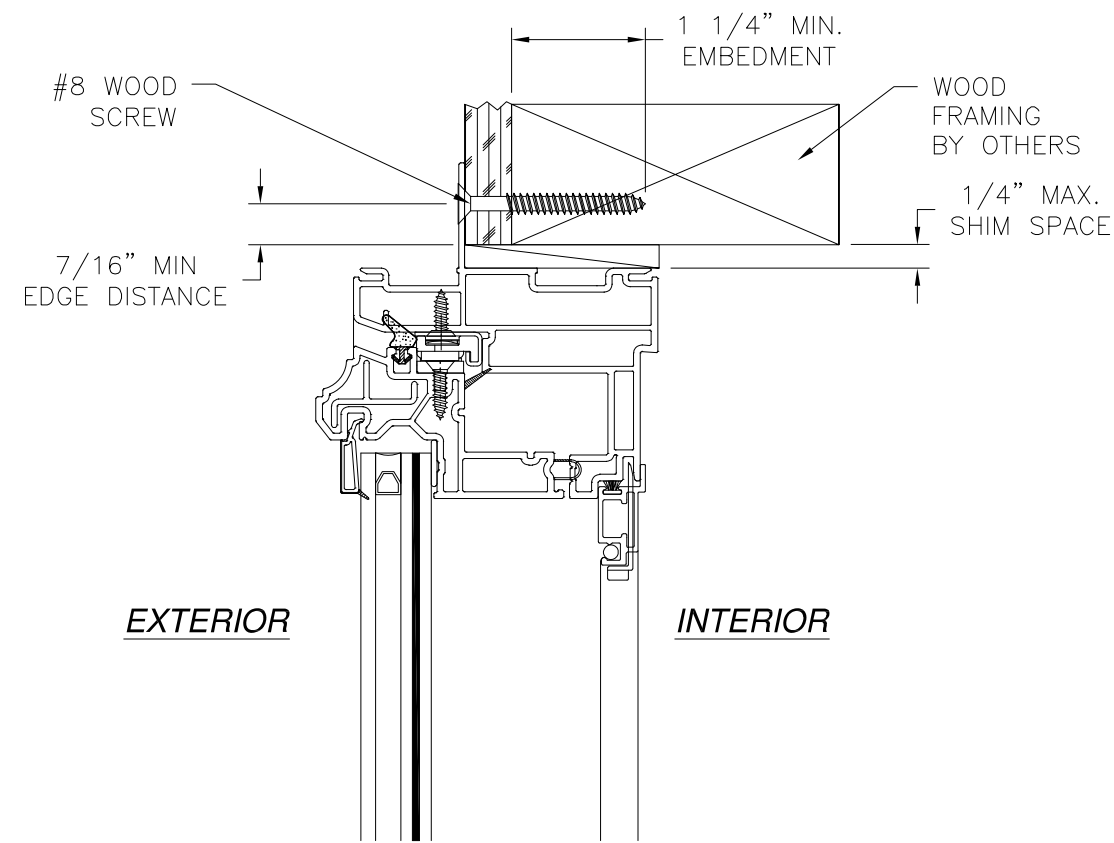
| | | |
|----------------|---------------------|-----------------|
| DRAWN: A.R. | DWG NO. 08-03103 | REV A |
| SCALE NTS | DATE 05/01/17 | SHEET 5 OF 7 |

L. ROBERTO LOMAS P.E.
1432 WOODFORD RD LEWISVILLE, NC 27023
434-688-0609 rllomas@rlomaspe.com

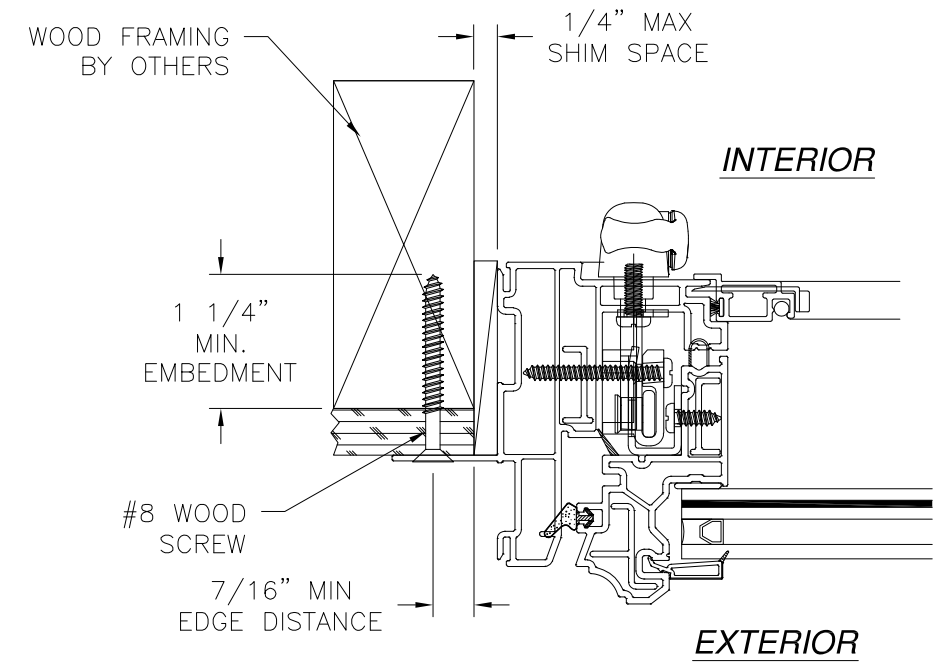


Luis R. Lomas P.E.
TX No.: 101889
Firm No: F-23130

| REVISIONS | | | |
|-----------|----------------------|------------|----------|
| REV | DESCRIPTION | DATE | APPROVED |
| A | REVISED PER NEW CODE | 12/14/2021 | R.L. |



VERTICAL CROSS SECTION
WOOD FRAMING OR 2X BUCK INSTALLATION



JAMB INSTALLATION DETAIL
WOOD FRAMING OR 2X BUCK INSTALLATION

NOTES:

1. INTERIOR AND EXTERIOR FINISHES, BY OTHERS, NOT SHOWN FOR CLARITY.
2. PERIMETER AND JOINT SEALANT BY OTHERS TO BE DESIGNED IN ACCORDANCE WITH ASTM E2112

SIGNED: 02/02/2022

SHOWCASE CUSTOM WINDOWS & DOORS
12613 CITYPARK DRIVE, SUITE 100
MISSOURI CITY, TX 77489

MODEL 143.191 CA REP/NC
VINYL CASEMENT WINDOW, IMPACT 37" X 76"
INSTALLATION DETAILS

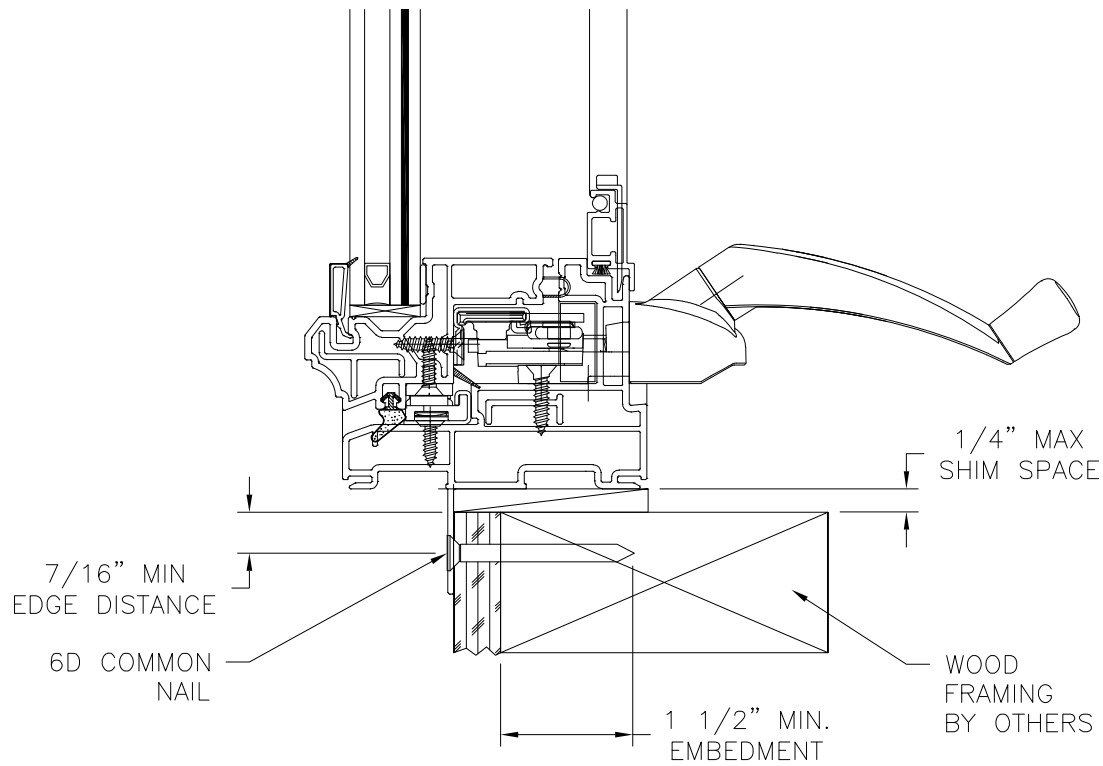
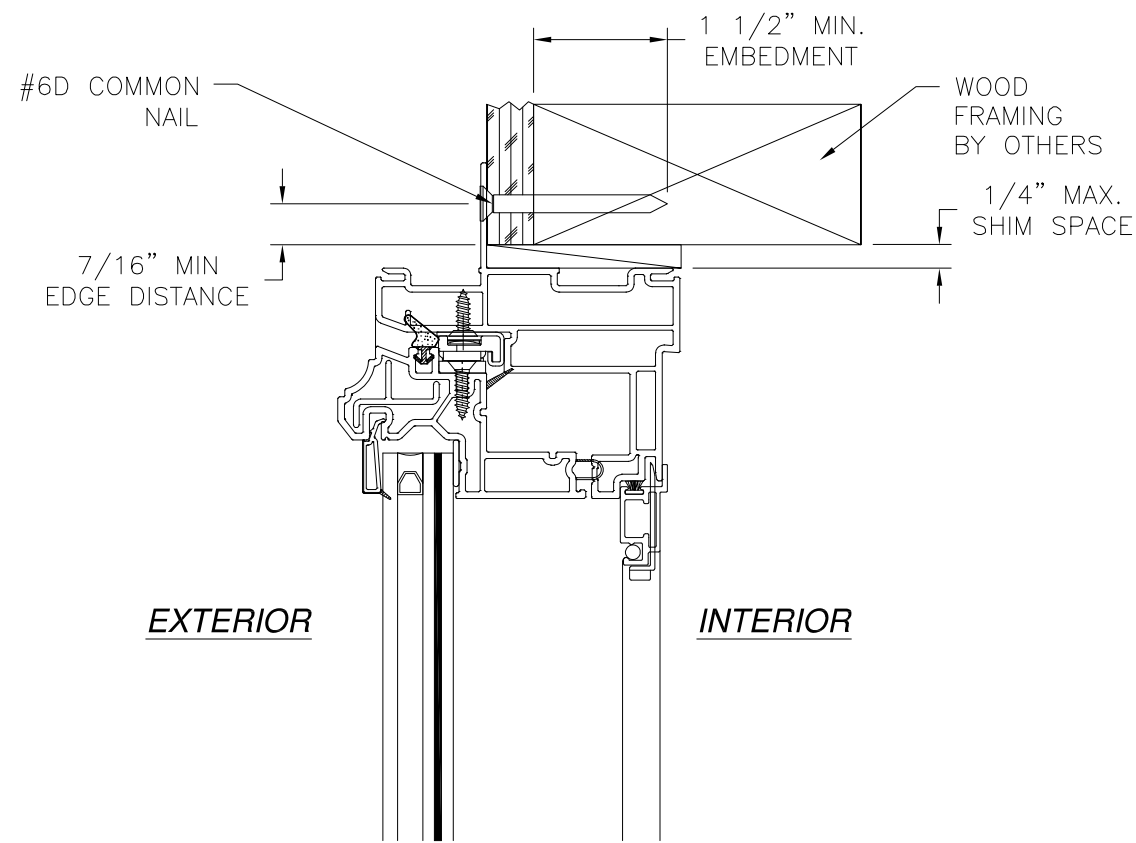
| | | |
|----------------|---------------------|-----------------|
| DRAWN: A.R. | DWG NO. 08-03103 | REV A |
| SCALE NTS | DATE 05/01/17 | SHEET 6 OF 7 |

L. ROBERTO LOMAS P.E.
1432 WOODFORD RD LEWISVILLE, NC 27023
434-688-0609 rllomas@lrlomaspe.com

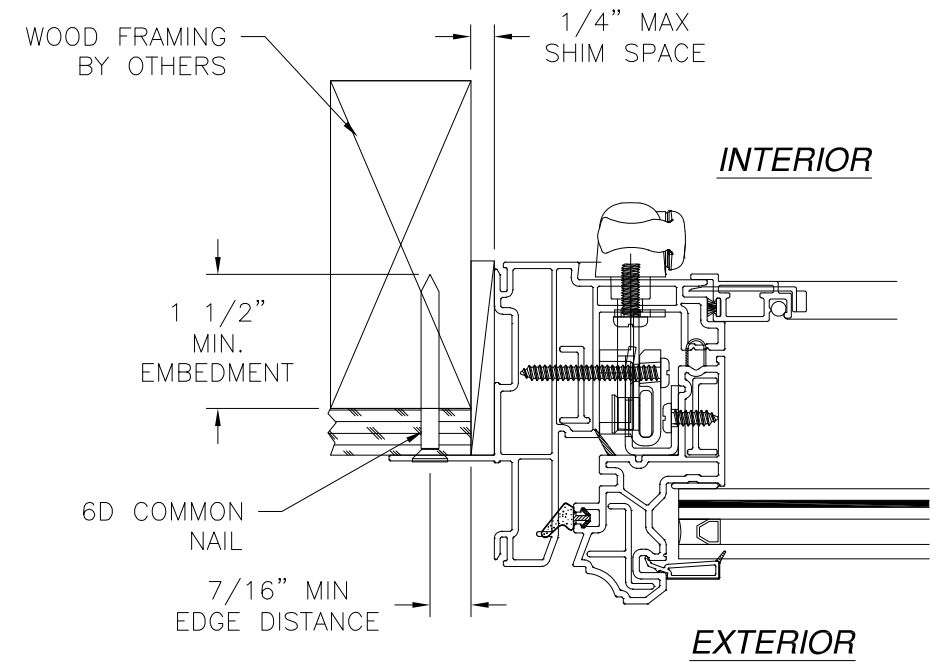


Luis R. Lomas P.E.
TX No.: 101889
Firm No: F-23130

| REVISIONS | | | |
|-----------|----------------------|------------|----------|
| REV | DESCRIPTION | DATE | APPROVED |
| A | REVISED PER NEW CODE | 12/14/2021 | R.L. |



VERTICAL CROSS SECTION
WOOD FRAMING OR 2X BUCK INSTALLATION



JAMB INSTALLATION DETAIL
WOOD FRAMING OR 2X BUCK INSTALLATION

NOTES:

1. INTERIOR AND EXTERIOR FINISHES, BY OTHERS, NOT SHOWN FOR CLARITY.
2. PERIMETER AND JOINT SEALANT BY OTHERS TO BE DESIGNED IN ACCORDANCE WITH ASTM E2112

SIGNED: 02/02/2022

SHOWCASE CUSTOM WINDOWS & DOORS
12613 CITYPARK DRIVE, SUITE 100
MISSOURI CITY, TX 77489

MODEL 143.191 CA REP/NC
VINYL CASEMENT WINDOW, IMPACT 37" X 76"
INSTALLATION DETAILS

| | | |
|----------------|---------------------|--------------|
| DRAWN: A.R. | DWG NO. 08-03103 | REV A |
| SCALE NTS | DATE 05/01/17 | SHEET 7 OF 7 |

L. ROBERTO LOMAS P.E.
1432 WOODFORD RD LEWISVILLE, NC 27023
434-688-0609 rllomas@lrlomaspe.com



Luis R. Lomas P.E.
TX No.: 101889
Firm No: F-23130