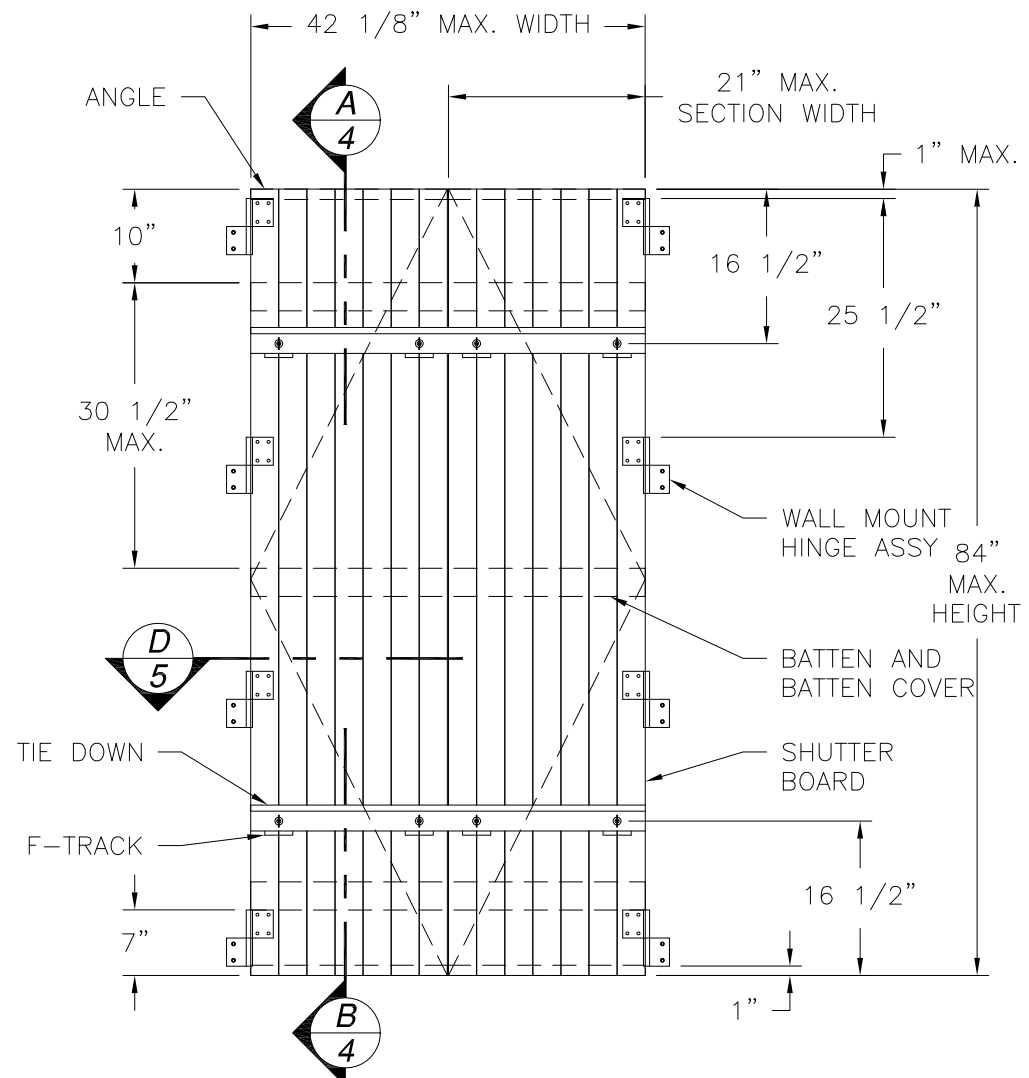


REVISIONS			
REV	DESCRIPTION	DATE	APPROVED
A	REVISED PER NEW REQUIREMENTS	12/29/2020	R.L.



STANDARD BOARD AND BATTEN SHUTTER
EXTERIOR VIEW

DESIGN PRESSURE RATING	IMPACT RATING
±60PSF	LARGE AND SMALL MISSILE IMPACT

MISSILE LEVEL D, WIND ZONE 4

NOTES:

1. THE PRODUCT SHOWN HEREIN IS DESIGNED AND MANUFACTURED TO COMPLY WITH REQUIREMENTS OF THE 2018 IBC AND THE 2018 IRC.
2. WOOD FRAMING AND MASONRY OPENING TO BE DESIGNED AND ANCHORED TO PROPERLY TRANSFER ALL LOADS TO STRUCTURE. FRAMING AND MASONRY OPENING IS THE RESPONSIBILITY OF THE ARCHITECT OR ENGINEER OF RECORD.
3. ALLOWABLE STRESS INCREASE OF 1/3 WAS NOT USED IN THE DESIGN OF THE PRODUCT SHOWN HEREIN. WIND LOAD DURATION FACTOR Cd=1.6 WAS USED FOR WOOD ANCHOR CALCULATIONS.
4. SHUTTER BOARD MATERIAL: ALUMINUM 6063-T6.
5. APPROVED IMPACT PROTECTIVE SYSTEM IS NOT REQUIRED FOR THIS PRODUCT IN WIND BORNE DEBRIS REGIONS.
6. FOR ANCHORING INTO MASONRY USE 1/4" ITW TAPCONS WITH SUFFICIENT LENGTH TO ACHIEVE A 1 1/4" MINIMUM EMBEDMENT INTO SUBSTRATE WITH 2 5/16" MINIMUM EDGE DISTANCE AND 1 3/4" MINIMUM SEPARATION. LOCATE ANCHORS AS SHOWN IN ELEVATIONS AND INSTALLATION DETAILS.
7. FOR ANCHORING INTO WOOD FRAMING OR 2X BUCK OR THROUGH BRICK VEENER INTO WOOD FRAMING OR 2X BUCK USE #10 WOOD SCREW WITH SUFFICIENT LENGTH TO ACHIEVE A 1 3/8" MINIMUM EMBEDMENT INTO SUBSTRATE. LOCATE ANCHORS AS SHOWN IN ELEVATIONS AND INSTALLATION DETAILS.
8. ALL FASTENERS TO BE CORROSION RESISTANT.
9. INSTALLATION ANCHORS SHALL BE INSTALLED IN ACCORDANCE WITH ANCHOR MANUFACTURER'S INSTALLATION INSTRUCTIONS, AND ANCHORS SHALL NOT BE USED IN SUBSTRATES WITH STRENGTHS LESS THAN THE MINIMUM STRENGTH SPECIFIED BELOW:
 - A. WOOD – MINIMUM SPECIFIC GRAVITY OF G=0.42
 - B. CONCRETE – MINIMUM COMPRESSIVE STRENGTH OF 2,000 PSI.
 - C. MASONRY – STRENGTH CONFORMANCE TO ASTM C-90, GRADE N, TYPE 1 (OR GREATER).
10. SHUTTERS MAY BE CONSTRUCTED WITH 3", 4" OR 5" BOARDS.

SIGNED: 12/29/2020

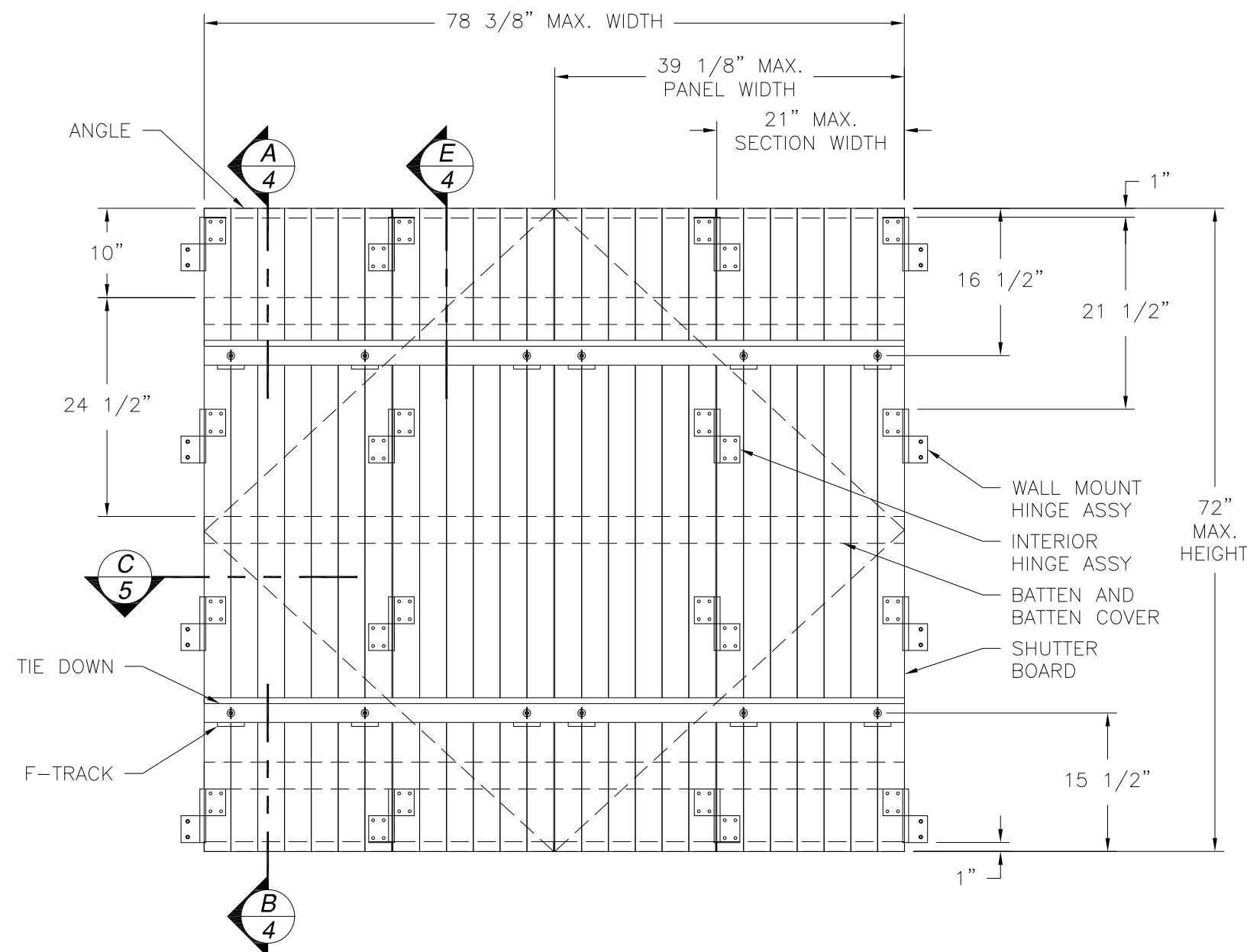
TABLE OF CONTENTS	
SHEET NO.	DESCRIPTION
1	ELEVATIONS, ANCHORING AND NOTES
2	BI-FOLD ELEVATION
3	BILL OF MATERIALS AND COMPONENTS
4 – 5	CROSS SECTIONS
6 – 7	INSTALLATION DETAILS

LAS ENTERPRISES 2413 L & A ROAD METAIRIE, LA 70001		
BOARD AND BATTEN SHUTTER STANDARD AND BI-FOLD STANDARD ELEVATION, ANCHORING AND NOTES		
DRAWN: V.L.	DWG NO. 08-02484	REV A
SCALE NTS	DATE 09/08/14	SHEET 1 OF 7
L. ROBERTO LOMAS P.E. 1432 WOODFORD RD LEWISVILLE, NC 27023 434-688-0609 rllomas@rlomaspe.com		



Luis R. Lomas P.E.
TX No.: 101889

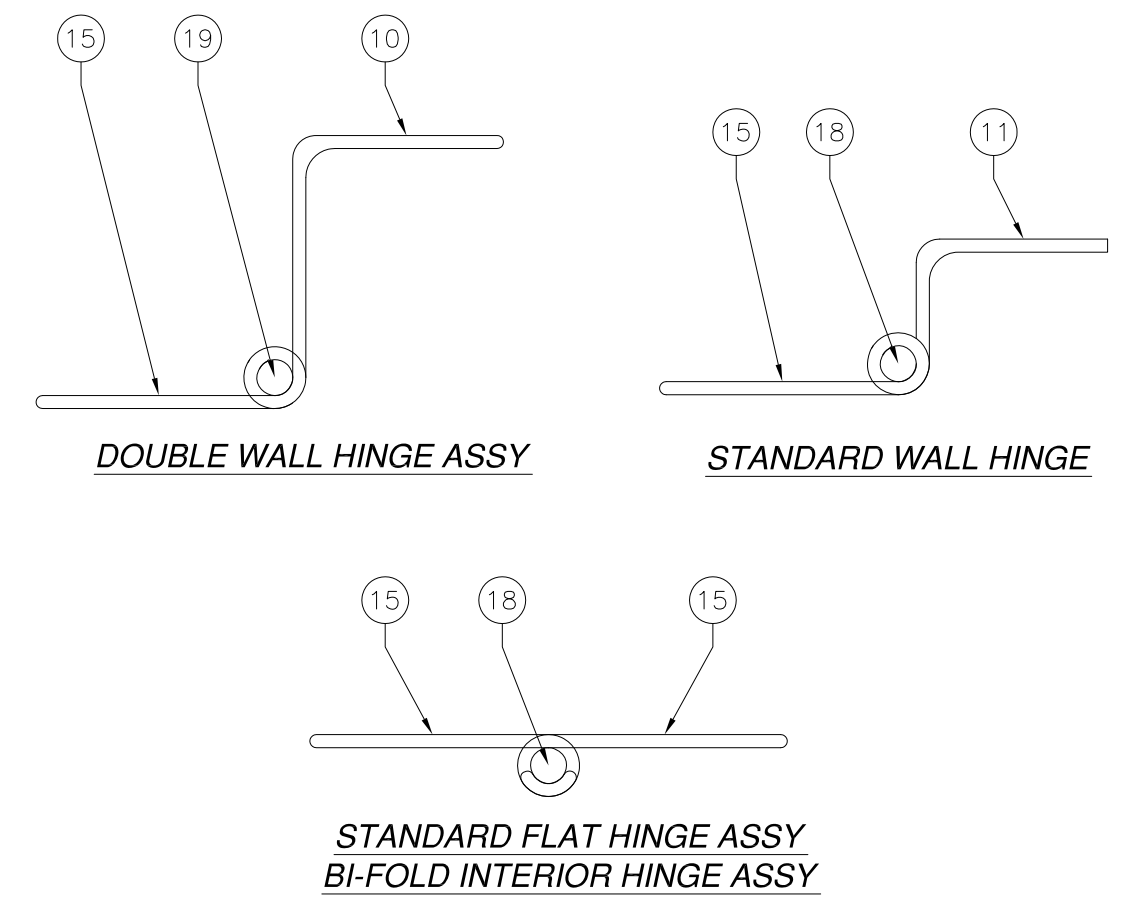
REVISIONS			
REV	DESCRIPTION	DATE	APPROVED
A	REVISED PER NEW REQUIREMENTS	12/29/2020	R.L.



BI-FOLD BOARD AND BATTEN SHUTTER
EXTERIOR VIEW

DESIGN PRESSURE RATING	IMPACT RATING
±45PSF	LARGE AND SMALL MISSILE IMPACT

MISSILE LEVEL D, WIND ZONE 4



LAS ENTERPRISES
2413 L & A ROAD
METAIRIE, LA 70001

BOARD AND BATTEN SHUTTER
STANDARD AND BI-FOLD
BI-FOLD ELEVATION

DRAWN: V.L.	DWG NO. 08-02484	REV A
SCALE NTS	DATE 09/08/14	SHEET 2 OF 7

L. ROBERTO LOMAS P.E.
1432 WOODFORD RD LEWISVILLE, NC 27023
434-688-0609 rllomas@lrlomaspe.com

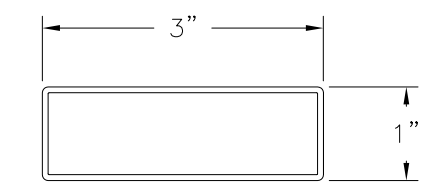
SIGNED: 12/29/2020



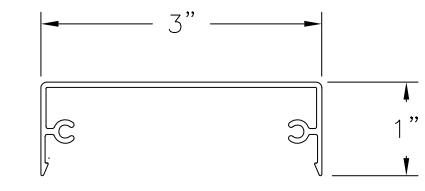
Luis R. Lomas P.E.
TX No.: 101889

PARTS LIST				
NO.	PART NUMBER	DESCRIPTION	MANUFACTURER	MATERIAL
1	11312	3" SHUTTER BOARD	LAS ENTERPRISES	ALUMINUM 6063-T6
2	11313	4" SHUTTER BOARD	LAS ENTERPRISES	ALUMINUM 6063-T6
3	11314	5" SHUTTER BOARD	LAS ENTERPRISES	ALUMINUM 6063-T6
4	11762A	3" BATTEN	LAS ENTERPRISES	ALUMINUM 6063-T6
5	11764A	4" BATTEN	LAS ENTERPRISES	ALUMINUM 6063-T6
6		5" BATTEN	LAS ENTERPRISES	ALUMINUM 6063-T6
7	11763	3" BATTEN COVER	LAS ENTERPRISES	ALUMINUM 6063-T6
8	11765	4" BATTEN COVER	LAS ENTERPRISES	ALUMINUM 6063-T6
9		5" BATTEN COVER	LAS ENTERPRISES	ALUMINUM 6063-T6
10	11403	DOUBLE WALL HINGE	LAS ENTERPRISES	ALUMINUM 6063-T6
11	11404	STANDARD WALL HINGE	LAS ENTERPRISES	ALUMINUM 6063-T6
12	11405	BI-FOLD INTERIOR HINGE	LAS ENTERPRISES	ALUMINUM 6063-T6
13	11403	BI-FOLD SHUTTER TIE DOWN	LAS ENTERPRISES	ALUMINUM 6063-T6
14	11404	STANDARD SHUTTER TIE DOWN	LAS ENTERPRISES	ALUMINUM 6063-T6
15	11405	STANDARD FLAT HINGE	LAS ENTERPRISES	ALUMINUM 6063-T6
16	12115	F-TRACK	LAS ENTERPRISES	ALUMINUM 6063-T6
17	11813A	ANGLE	LAS ENTERPRISES	ALUMINUM 6063-T6
18		3/8" ROD	ALENCO	ALUMINUM 6063-T6
19		3/8" x 6" ROD	LAS ENTERPRISES	STAINLESS STEEL
20		BULLIT	GENESIS TEK, LLC	DELTRIN POM
21		BULLIT CLIP	GENESIS TEK, LLC	DELTRIN POM

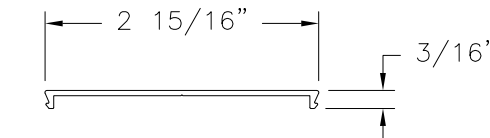
REVISIONS			
REV	DESCRIPTION	DATE	APPROVED
A	REVISED PER NEW REQUIREMENTS	12/29/2020	R.L.



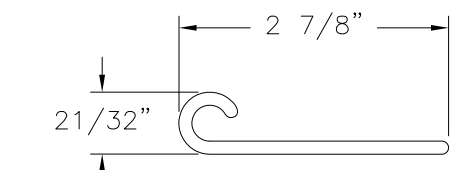
1 **3" SHUTTER BOARD**
ALUMINUM 6063-T6 .062" THICK



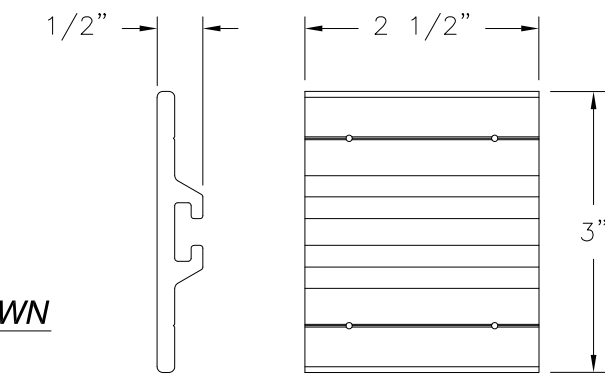
4 **3" BATTEN**
ALUMINUM 6063-T6 .056" THICK



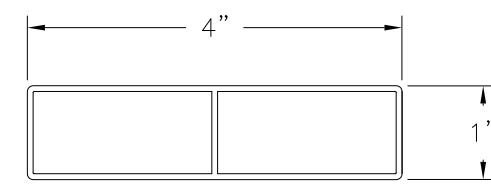
7 **3" BATTEN COVER**
ALUMINUM 6063-T6 .056" THICK



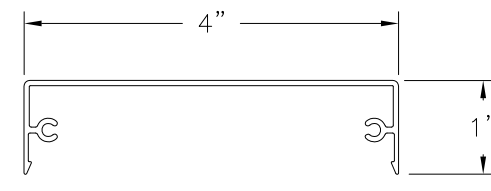
12 15 **BI-FOLD INTERIOR HINGE**
STANDARD FLAT HINGE
ALUMINUM 6063-T6 .139" THICK



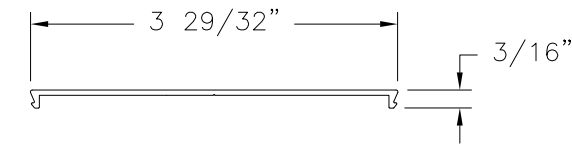
16 **F-TRACK**
ALUMINUM 6063-T6 .188" THICK



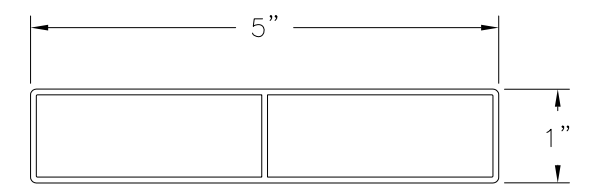
2 **4" SHUTTER BOARD**
ALUMINUM 6063-T6 .062" THICK



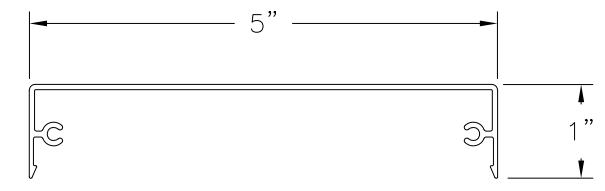
5 **4" BATTEN**
ALUMINUM 6063-T6 .056" THICK



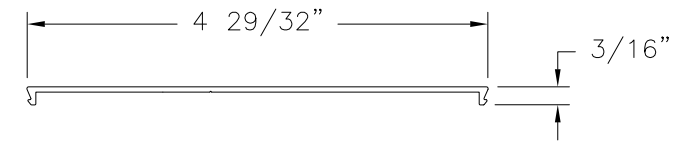
8 **4" BATTEN COVER**
ALUMINUM 6063-T6 .056" THICK



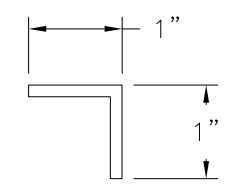
3 **5" SHUTTER BOARD**
ALUMINUM 6063-T6 .062" THICK



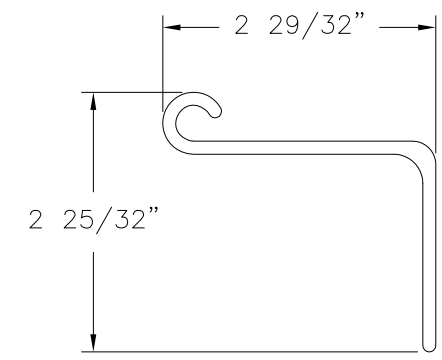
6 **5" BATTEN**
ALUMINUM 6063-T6 .056" THICK



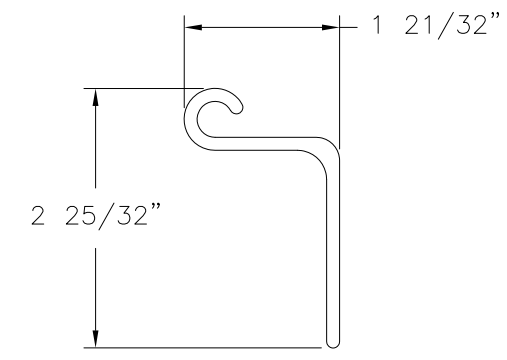
9 **5" BATTEN COVER**
ALUMINUM 6063-T6 .056" THICK



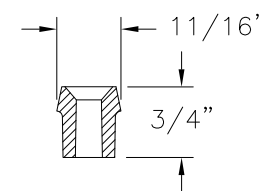
17 **1" x 1" ANGLE**
ALUMINUM 6063-T6 .050" THICK



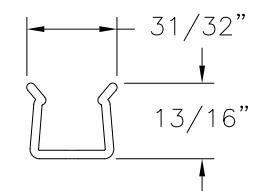
10 13 **DOUBLE WALL HINGE**
BI-FOLD SHUTTER TIE DOWN
ALUMINUM 6063-T6 .139" THICK



11 14 **STANDARD WALL HINGE**
STANDARD SHUTTER TIE DOWN
ALUMINUM 6063-T6 .139" THICK



20 **BULLIT**
DELTRIN POM



21 **BULLIT CLIP**
DELTRIN POM .09" THICK

LAS ENTERPRISES
2413 L & A ROAD
METAIRIE, LA 70001

BOARD AND BATTEN SHUTTER
STANDARD AND BI-FOLD
B.O.M. AND COMPONENTS

DRAWN: V.L.	DWG NO. 08-02484	REV A
SCALE NTS	DATE 09/08/14	SHEET 3 OF 7

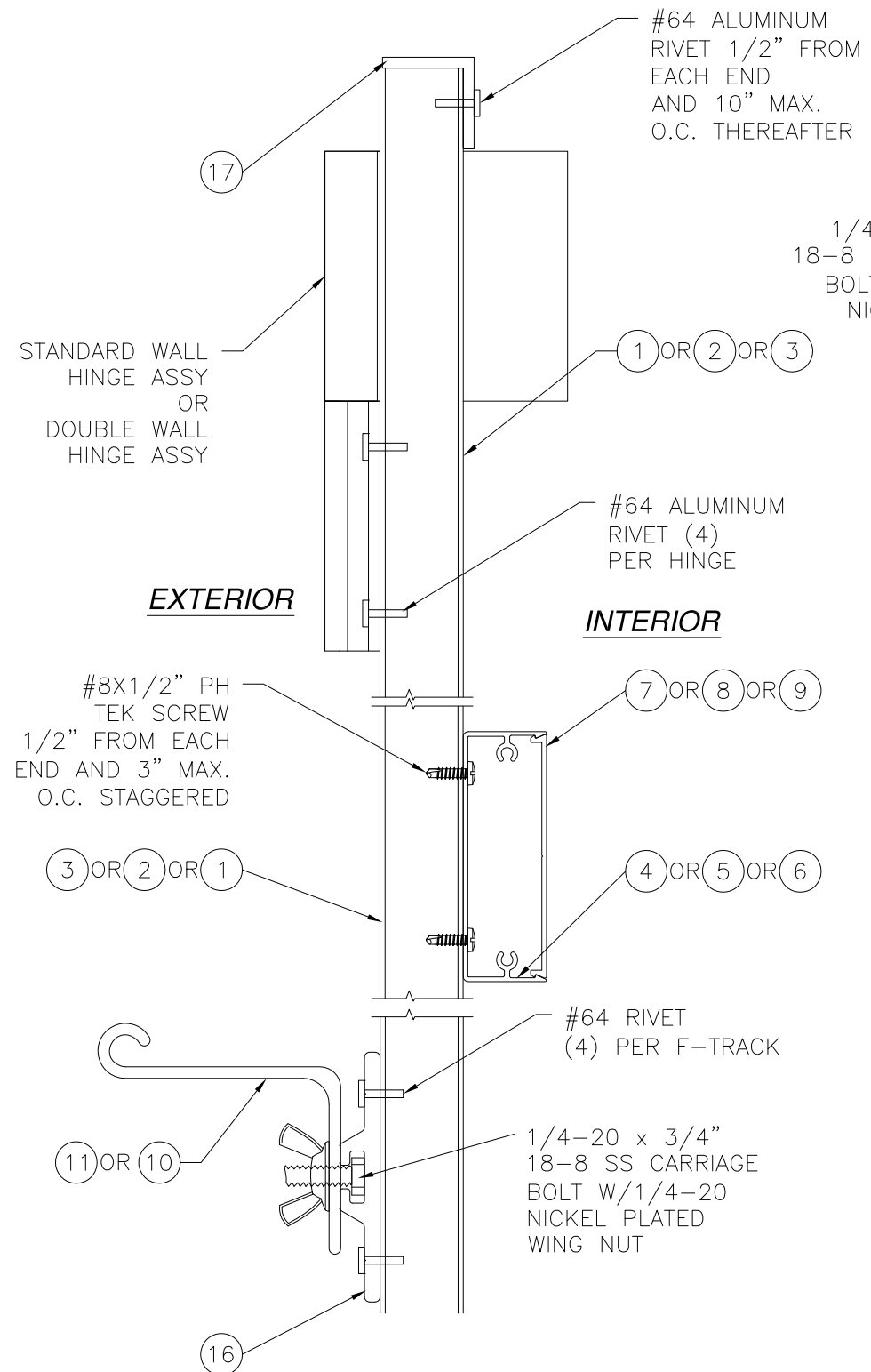
L. ROBERTO LOMAS P.E.
1432 WOODFORD RD LEWISVILLE, NC 27023
434-688-0609 rllomas@rlomaspe.com

SIGNED: 12/29/2020

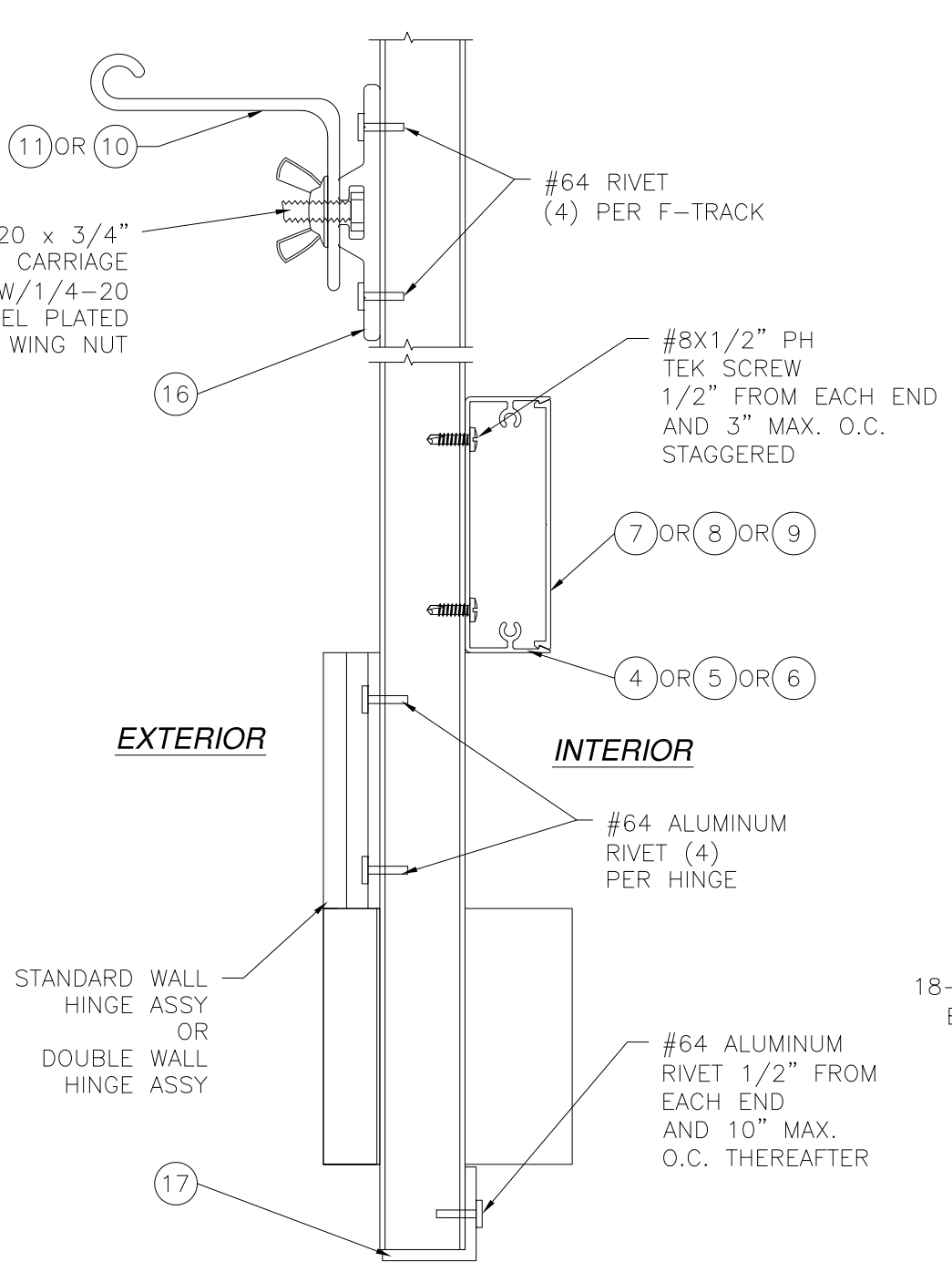


Luis R. Lomas P.E.
TX No.: 101889

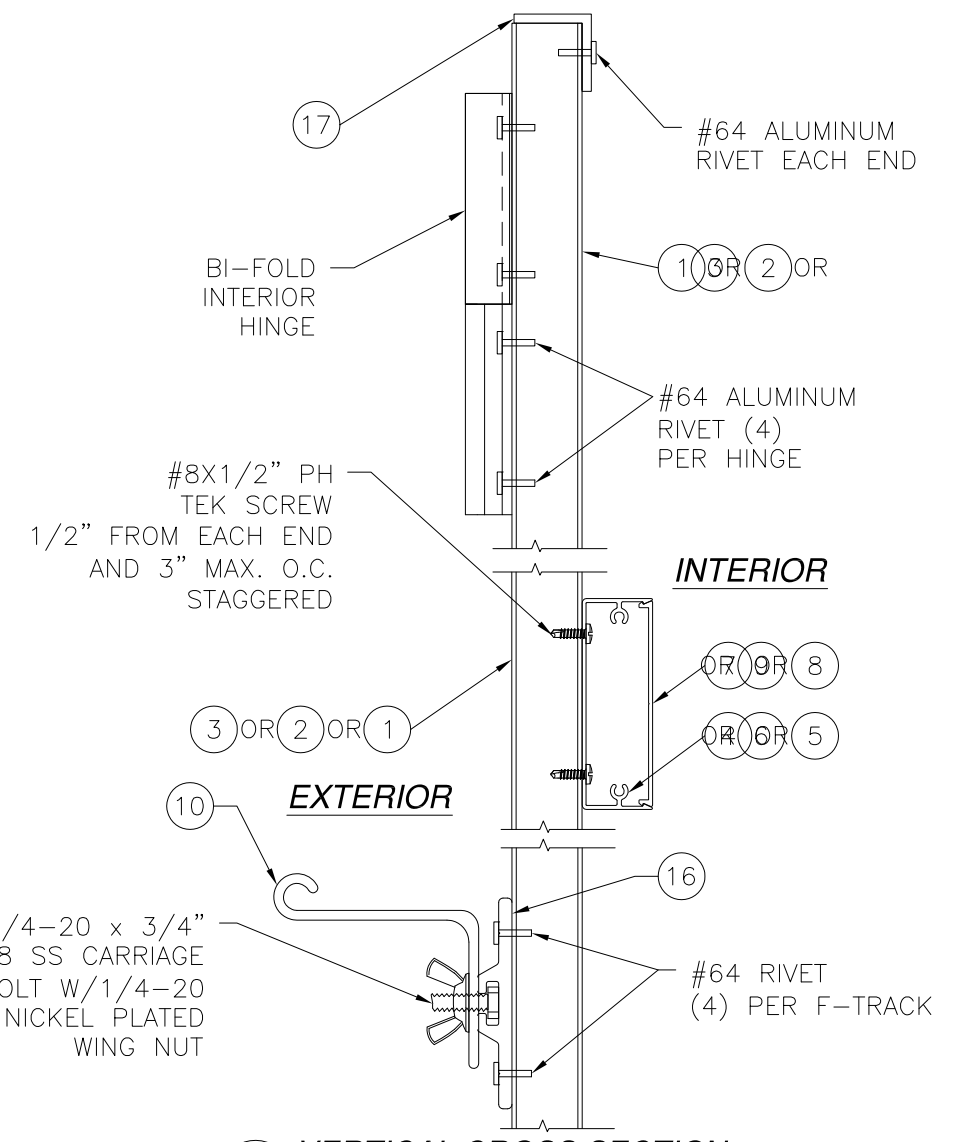
REVISIONS			
REV	DESCRIPTION	DATE	APPROVED
A	REVISED PER NEW REQUIREMENTS	12/29/2020	R.L.



A
4 **VERTICAL CROSS SECTION**
HEAD BI-FOLD AND STANDARD



A
4 **VERTICAL CROSS SECTION**
SILL BI-FOLD AND STANDARD



E
4 **VERTICAL CROSS SECTION**
HEAD BI-FOLD

SIGNED: 12/29/2020

LAS ENTERPRISES
2413 L & A ROAD
METAIRIE, LA 70001

BOARD AND BATTEN SHUTTER
STANDARD AND BI-FOLD
CROSS SECTIONS

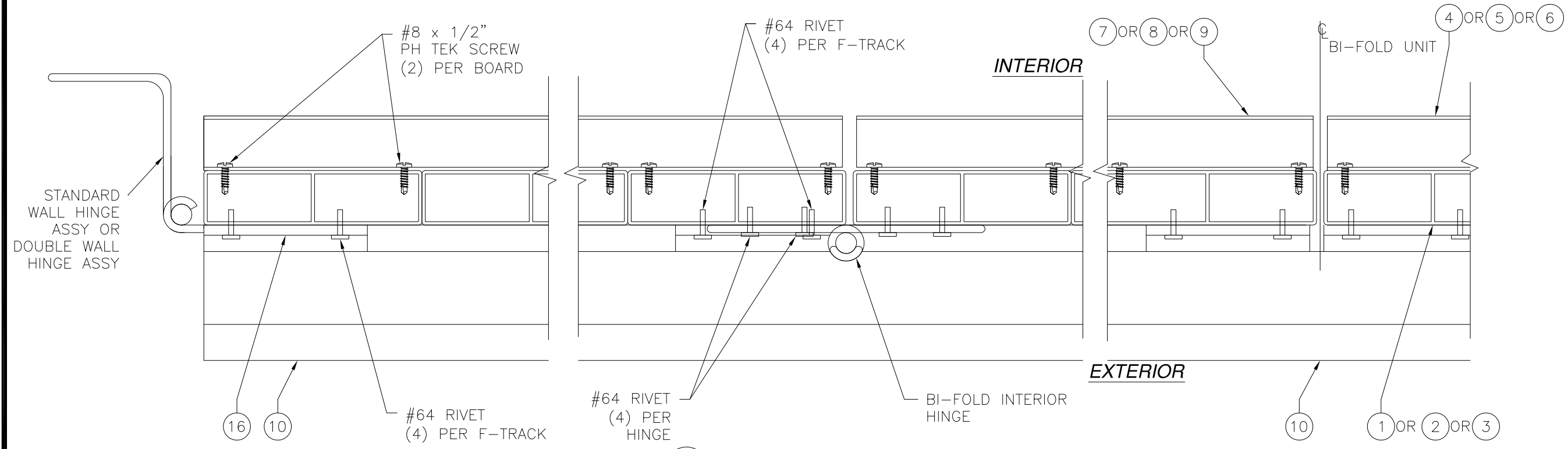
DRAWN: V.L.	DWG NO. 08-02484	REV A
SCALE NTS	DATE 09/08/14	SHEET 4 OF 7

L. ROBERTO LOMAS P.E.
1432 WOODFORD RD LEWISVILLE, NC 27023
434-688-0609 rllomas@rlomaspe.com

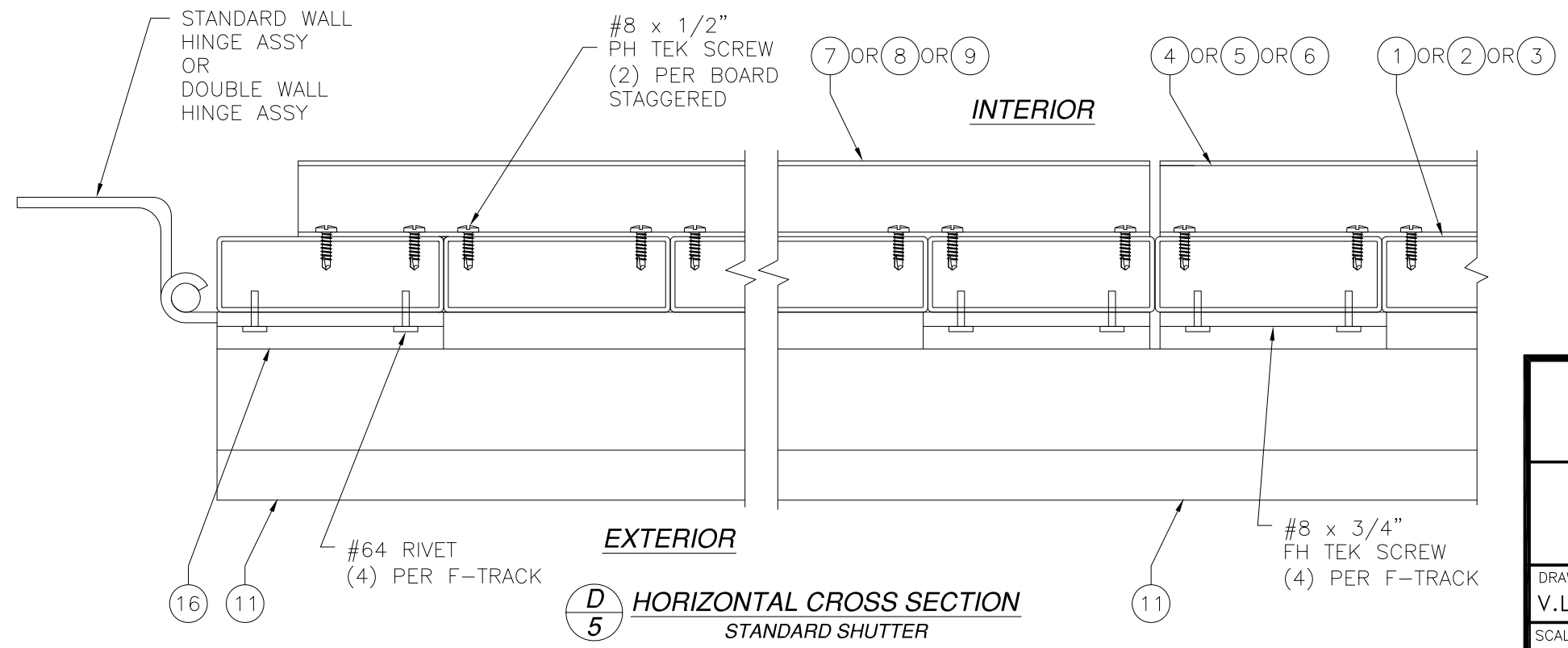


Luis R. Lomas P.E.
TX No.: 101889

REVISIONS			
REV	DESCRIPTION	DATE	APPROVED
A	REVISED PER NEW REQUIREMENTS	12/29/2020	R.L.



C
5 **HORIZONTAL CROSS SECTION**
BI-FOLD SHUTTER



D
5 **HORIZONTAL CROSS SECTION**
STANDARD SHUTTER

LAS ENTERPRISES
2413 L & A ROAD
METAIRIE, LA 70001

BOARD AND BATTEN SHUTTER
STANDARD AND BI-FOLD
CROSS SECTIONS

DRAWN: V.L.	DWG NO. 08-02484	REV A
SCALE NTS	DATE 09/08/14	SHEET 5 OF 7

L. ROBERTO LOMAS P.E.
1432 WOODFORD RD LEWISVILLE, NC 27023
434-688-0609 rllomas@rlomaspe.com

SIGNED: 12/29/2020



Luis R. Lomas P.E.
TX No.: 101889

1 5/16" FOR BI-FOLD SHUTTER, STANDARD SHUTTER IS FLUSH

1/2" MAX. GAP

EXTERIOR

INTERIOR

1/2" MAX. GAP

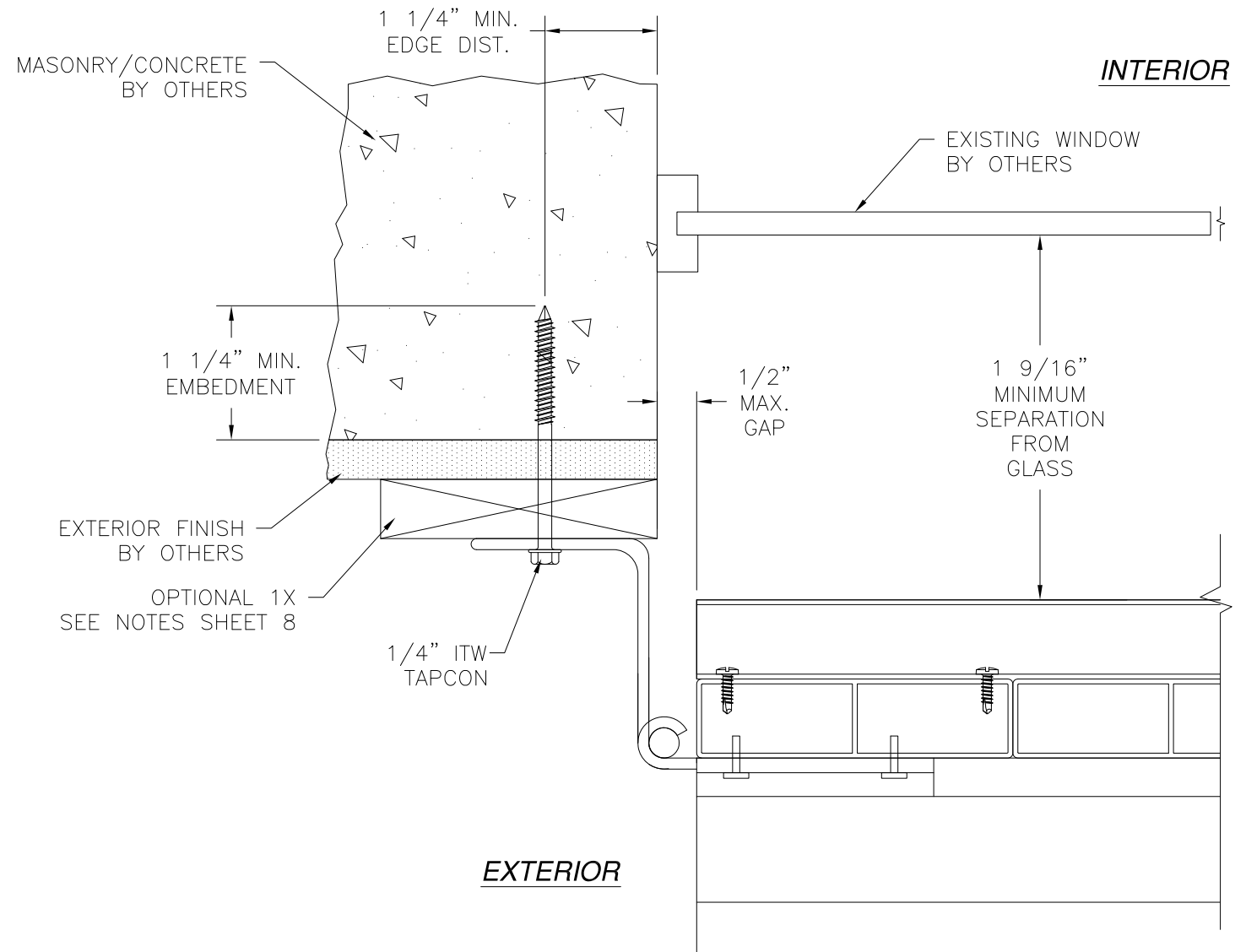
VERTICAL CROSS SECTION
BI-FOLD SHUTTER SHOWN,
STANDARD SHUTTER SIMILAR

VARIOUS SUBSTRATES
SEE SHEETS 7 AND 8.

EXISTING WINDOW
BY OTHERS

VARIOUS SUBSTRATES
SEE SHEET 8.

REVISIONS			
REV	DESCRIPTION	DATE	APPROVED
A	REVISED PER NEW REQUIREMENTS	12/29/2020	R.L.



EXTERIOR

INTERIOR

HORIZONTAL CROSS SECTION
MASONRY/CONCRETE INSTALLATION

SIGNED: 12/29/2020

LAS ENTERPRISES
2413 L & A ROAD
METAIRIE, LA 70001

BOARD AND BATTEN SHUTTER
STANDARD AND BI-FOLD
INSTALLATION DETAILS

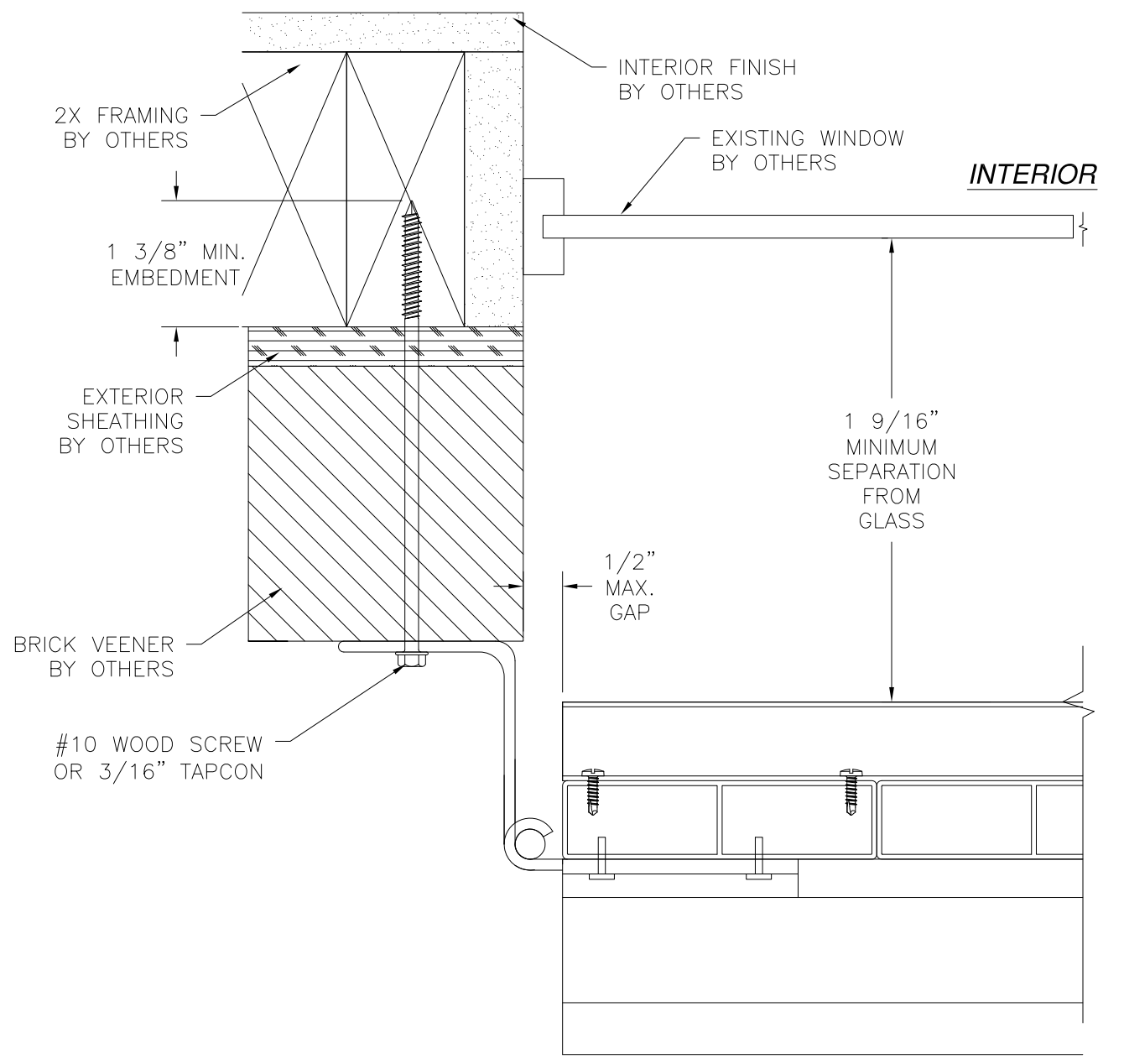
DRAWN: V.L.	DWG. NO. 08-02484	REV A
SCALE NTS	DATE 09/08/14	SHEET 6 OF 7

L. ROBERTO LOMAS P.E.
1432 WOODFORD RD LEWISVILLE, NC 27023
434-688-0609 rllomas@rlomaspe.com

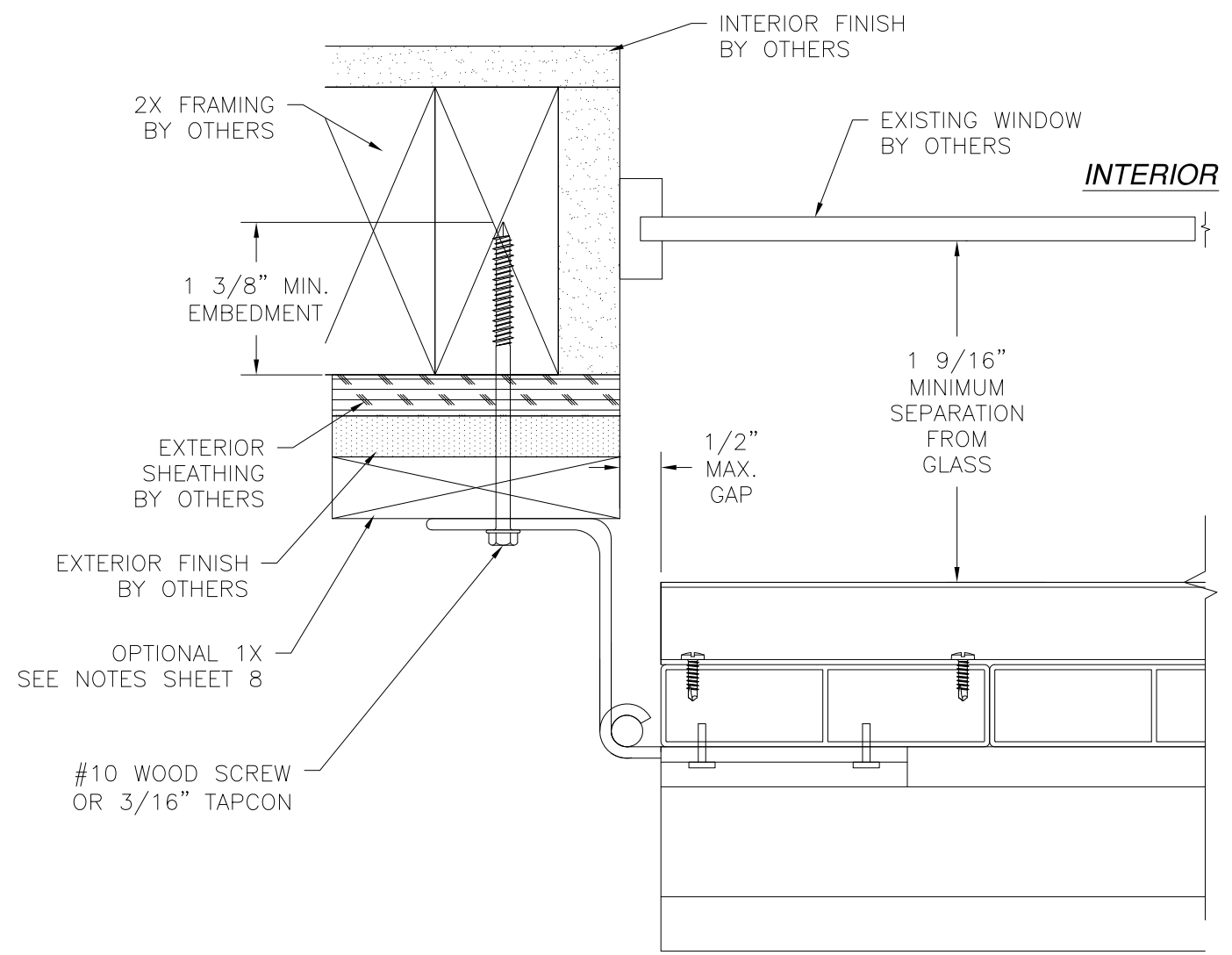


Luis R. Lomas P.E.
TX No.: 101889

REVISIONS			
REV	DESCRIPTION	DATE	APPROVED
A	REVISED PER NEW REQUIREMENTS	12/29/2020	R.L.



HORIZONTAL CROSS SECTION
BRICK VEENER INSTALLATION



HORIZONTAL CROSS SECTION
2X FRAMING INSTALLATION

1X INSTALLATION NOTES NOTES:

- 1) 1X BUCK TO BE INSTALLED WHEN EXTERIOR FINISH IS NOT ABLE TO WITHSTAND LOAD FROM SHUTTER.
- 2) ANCHOR 1X BUCK TO 2X FRAMING USING #10 WOOD SCREWS WITH SUFFICIENT LENGTH TO ACHIEVE A 1 3/8" MINIMUM EMBEDMENT. LOCATE ANCHORS 4" FROM EACH CORNER AND 16" MAXIMUM O.C. THEREAFTER.
- 3) ANCHOR 1X BUCK TO MASONRY USING 3/16" TAPCONS WITH SUFFICIENT LENGTH TO ACHIEVE A 1 1/4" MINIMUM EMBEDMENT. LOCATE ANCHORS 4" FROM EACH CORNER AND 16" MAXIMUM O.C. THEREAFTER.

SIGNED: 12/29/2020

LAS ENTERPRISES
2413 L & A ROAD
METAIRIE, LA 70001

BOARD AND BATTEN SHUTTER
STANDARD AND BI-FOLD
INSTALLATION DETAILS

DRAWN: V.L.	DWG NO. 08-02484	REV A
SCALE NTS	DATE 09/08/14	SHEET 7 OF 7

L. ROBERTO LOMAS P.E.
1432 WOODFORD RD LEWISVILLE, NC 27023
434-688-0609 rllomas@rlomaspe.com



Luis R. Lomas P.E.
TX No.: 101889