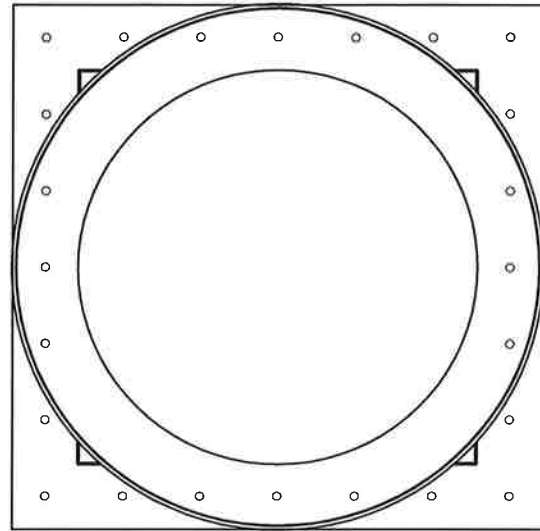


Large Missile Impact Resistant  
 Max rated design pressure : +53.0 / -112.0 PSF

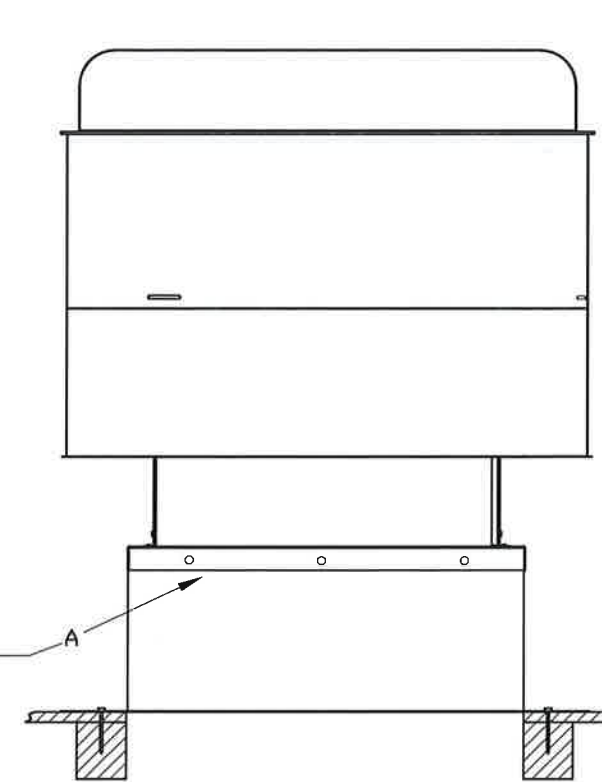


Plan View - Installation

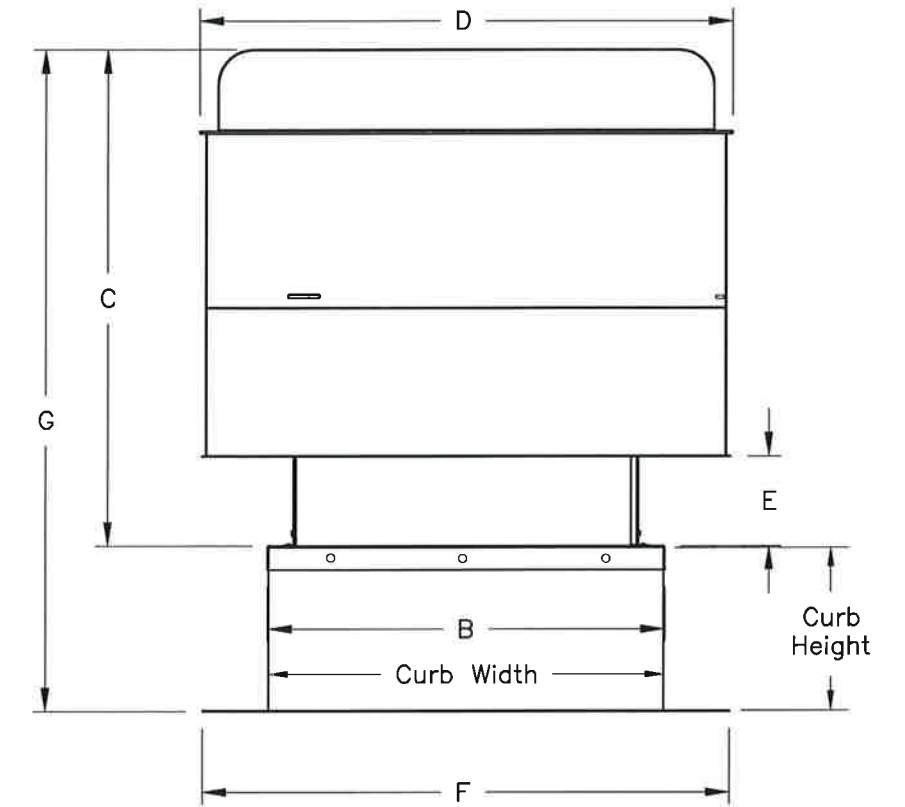
**General Notes:**

1. Product evaluated in accordance with requirements of 2006 International Building Code and ASCE 7-05.
2. Roof structure must be designed for weight of unit and wind load reactions transferred from the unit.
3. Product evaluated for the structural capacity of the exterior housing only. Interior mechanisms and/or electrical components have not been evaluated.
4. All fasteners must be corrosion resistant.

Fan Curb to Roof Curb Connection  
 1/4" sheet metal screws  
 on minimum 6" centers



Elevation View - Installation



Dimensions (Inches)



Joseph A. Reed, PE  
 TX PE 100777  
 Architectural Testing, Inc.  
 TX Firm F-11869  
 130 Derry Ct.  
 York, PA 17404  
 717-764-7700  
 Project No.: E8434.01-122-34

Model			Bolt Count							Fan Dimensions (Inches)			Curb Dimensions			Fan + Curb
			A	B	C	D	E	F	G (Max)	Curb Width	Curb Height	Curb Material	Weight (lbs.)			
PV075	PV085	PV100	12	21.00	23.62	23.67	3.44	29.00	63.62	20.70	8 to 42	18 ga. G90 galv.	82			
PV120	PV135		12	21.00	26.75	29.38	4.06	29.00	66.75	20.70	8 to 42	18 ga. G90 galv.	83			
PV150	PV165		12	24.00	30.96	35.14	5.19	32.00	70.96	23.70	8 to 42	18 ga. G90 galv.	123			
PV180	PV200		16	28.00	35.40	39.60	6.19	36.00	75.40	27.70	8 to 42	18 ga. G90 galv.	202			
PV220	PV240		20	34.00	38.39	46.49	7.75	42.00	78.39	33.70	8 to 42	18 ga. G90 galv.	250			

DWG NO. 686760 Sheet 1/3

TITLE PV HURRICANE FANS

MAT'L  
 DRAFTER TCR DATE 08/10/10  
 DESIGN ENG. TCR 08/10/10 RELEASED  
 CHKD BY MFG. SCALE NTS

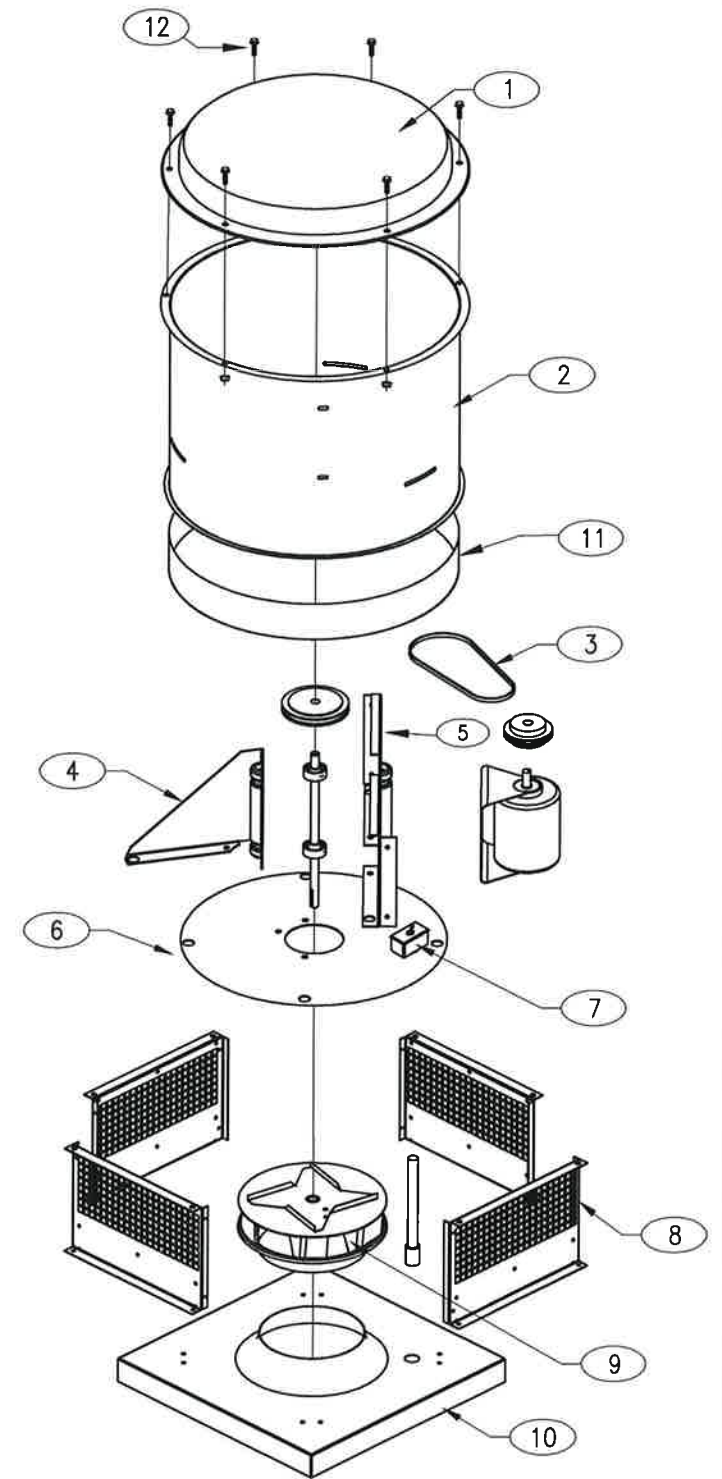
LET.	REVISION RECORD	BY	CKD.	DATE
A	Added hardware to exploded view and revised table on Sheet 2	BPF	TCR	4/14/11
B	Updated FBC to '2010 FBC SEC 1620.6' on Sheet 1	BPF	TCR	6/28/12
C	UPDATED FBC TO 2014 ON SHEET 1	TCR	TGB	5/28/15
D	REVISED FOR 42" TALL CURBS	TCR	TGB	8/24/15
E	WOOD SCREW PENETRATION AND CONCRETE STRENGTH	TCR	TGB	3/3/17

Acme Engineering &  
 Manufacturing Corp.  
 1820 N. York Street  
 Muskogee, OK 74403  
 918-682-7791

Item#	Qty.	Description	75	85	100	120	135	150
1	1	Hood	.050" aluminum	.050" aluminum	.050" aluminum	.050" aluminum	.050" aluminum	.050" aluminum
2	1	Windband	.080" aluminum	.080" aluminum	.080" aluminum	.080" aluminum	.080" aluminum	.080" aluminum
3	1	Motor						
4	1	Motor Base Support	14 ga. G90 galv.	14 ga. G90 galv.	14 ga. G90 galv.	14 ga. G90 galv.	14 ga. G90 galv.	14 ga. G90 galv.
5	1	Motor Base	14 ga. G90 galv.	14 ga. G90 galv.	14 ga. G90 galv.	14 ga. G90 galv.	14 ga. G90 galv.	14 ga. G90 galv.
6	1	Separator Pan	20 ga. G90 galv.	20 ga. G90 galv.	20 ga. G90 galv.	20 ga. G90 galv.	20 ga. G90 galv.	18 ga. G90 galv.
7	1	Disconnect Switch						
8	2	Birdscreen	.063" aluminum	.063" aluminum	.063" aluminum	.063" aluminum	.063" aluminum	.063" aluminum
9	1	Wheel						
10	1	Curb Cap	.080" aluminum	.080" aluminum	.080" aluminum	.080" aluminum	.080" aluminum	.080" aluminum
11	1	Windband Reinforcement	.080" aluminum	.080" aluminum	.080" aluminum	.080" aluminum	.080" aluminum	.080" aluminum
12	△	1/4" -20 Nuts and Bolts	4 Per Flange Union	4 Per Flange Union	4 Per Flange Union	4 Per Flange Union	4 Per Flange Union	5 Per Flange Union

Item#	Qty.	Description	165	180	200	220	240
1	1	Hood	.050" aluminum	.050" aluminum	.050" aluminum	.050" aluminum	.050" aluminum
2	1	Windband	.080" aluminum	.080" aluminum	.080" aluminum	.080" aluminum	.080" aluminum
3	1	Motor					
4	1	Motor Base Support	14 ga. G90 galv.	14 ga. G90 galv.	14 ga. G90 galv.	10 ga. G90 galv.	10 ga. G90 galv.
5	1	Motor Base	14 ga. G90 galv.	14 ga. G90 galv.	14 ga. G90 galv.	10 ga. G90 galv.	10 ga. G90 galv.
6	1	Separator Pan	18 ga. G90 galv.	16 ga. G90 galv.	16 ga. G90 galv.	16 ga. G90 galv.	16 ga. G90 galv.
7	1	Disconnect Switch					
8	2	Birdscreen	.063" aluminum	.063" aluminum	.063" aluminum	.063" aluminum	.063" aluminum
9	1	Wheel					
10	1	Curb Cap	.080" aluminum	.080" aluminum	.080" aluminum	.080" aluminum	.080" aluminum
11	1	Windband Reinforcement	.080" aluminum	.080" aluminum	.080" aluminum	.080" aluminum	.080" aluminum
12	△	1/4" -20 Nuts and Bolts	5 Per Flange Union	5 Per Flange Union	5 Per Flange Union	6 Per Flange Union	6 Per Flange Union

\* Steel material gages shown are nominal.  
Aluminum thicknesses shown are nominal.  
Actual thicknesses will vary in accordance  
with industry standard tolerances.



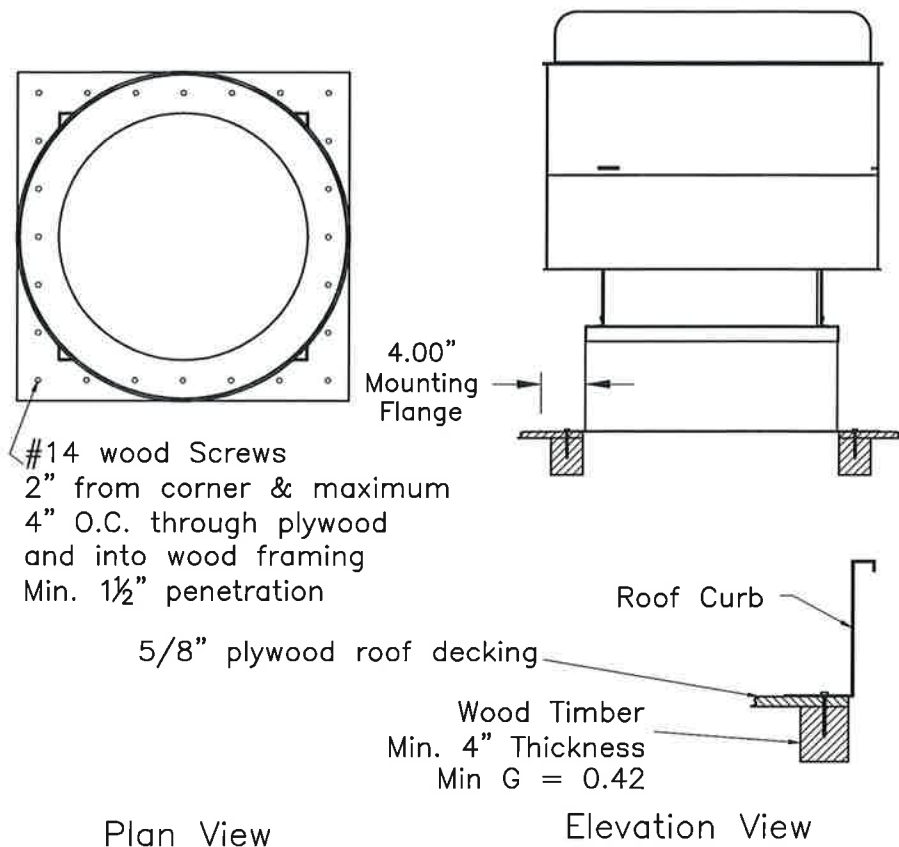
Joseph A. Reed, PE  
TX PE 100777  
Architectural Testing, Inc.  
TX Firm F-11869  
130 Derry Ct.  
York, PA 17404  
717-764-7700  
Project No.: E8434.01-122-34

### PV075 – PV240 Fans

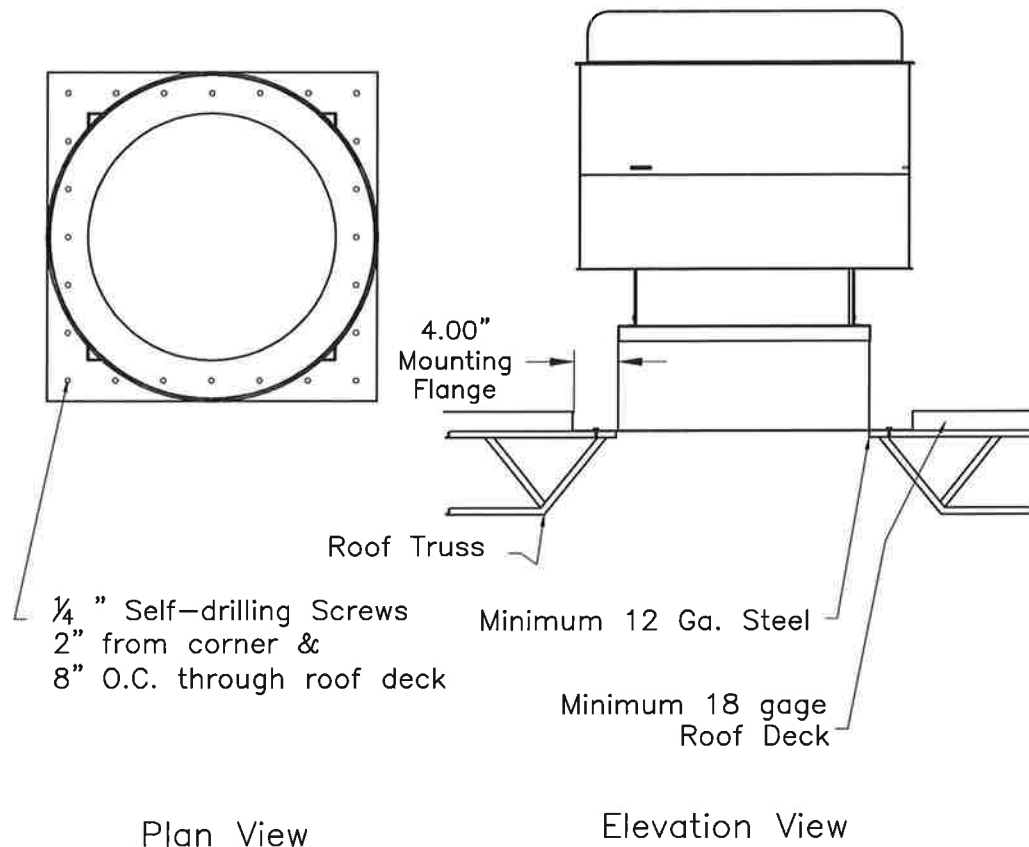
DWG NO.	686760	Sheet	2/3	LET.	REVISION RECORD			BY	CKD.	DATE
TITLE	PV HURRICANE FANS			A	Added hardware to exploded view and revised table on Sheet 2			BPF	TCR	4/14/11
MAT'L				B	Updated FBC to '2010 FBC SEC 1620.6' on Sheet 1			BPF	TCR	6/28/12
DRAFTER	TCR	DATE	08/10/10	C	UPDATED FBC TO 2014 ON SHEET 1			TCR	TGB	5/28/15
DESIGN ENG.	TCR	08/10/10	RELEASED	D	REVISED FOR 42" TALL CURBS			TCR	TGB	8/24/15
CHKD BY	MFG.	SCALE	NTS	E	WOOD SCREW PENETRATION AND CONCRETE STRENGTH			TCR	TGB	3/3/17

Acme Engineering & Manufacturing Corp.  
1820 N. York Street  
Muskogee, OK 74403  
918-682-7791

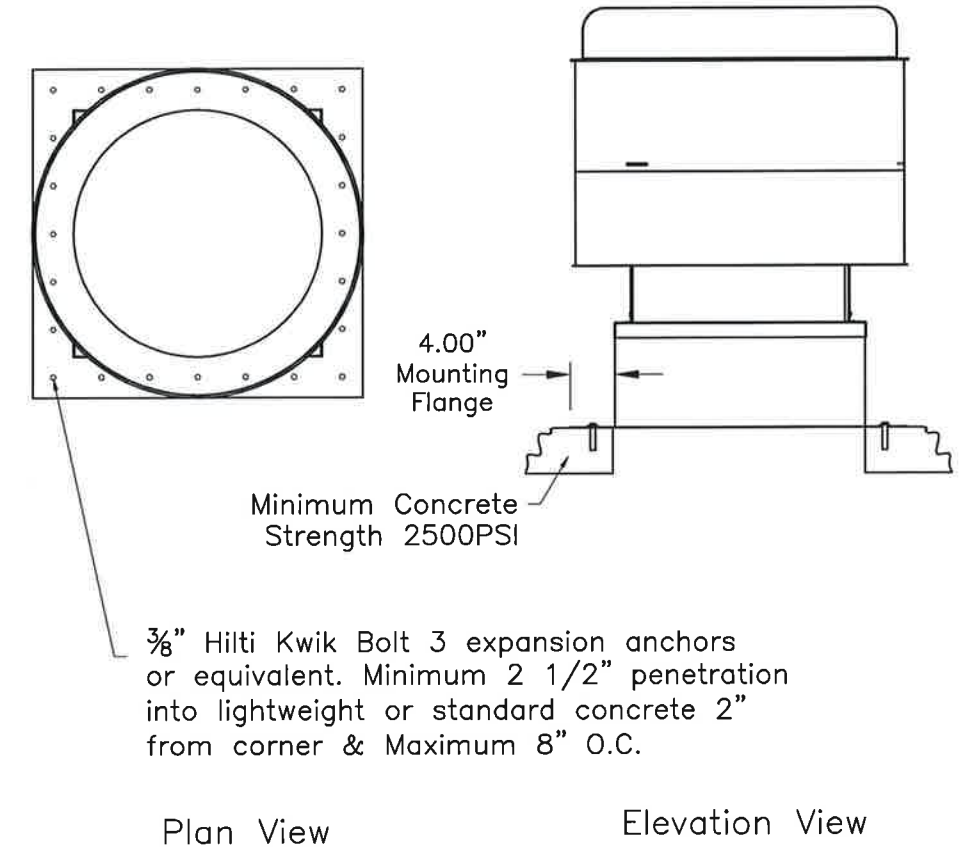
Large Missile Impact Resistant  
 Max rated design pressure : +53.0 / -112.0 PSF



Wood Deck Installation



Metal Building Installation



Concrete Deck Installation



Joseph A. Reed, PE  
 TX PE 100777  
 Architectural Testing, Inc.  
 TX Firm F-11869  
 130 Derry Ct.  
 York, PA 17404  
 717-764-7700  
 Project No.: E8434.01-122-34

Model			Mounting Flange Dimensions	Installation Type / Bolt Count		
				Wood Deck	Metal Building	Concrete Deck
PV075	PV085	PV100	29" x 29"	28	20	20
PV120	PV135		29" x 29"	32	20	20
PV150	PV165		32" x 32"	36	20	20
PV180	PV200		36" x 36"	44	20	20
PV220	PV240		42" x 42"	48	24	24

DWG NO. 686760 Sheet 3/3

TITLE PV Hurricane Fans

MAT'L

DRAFTER TCR DATE 04/12/10

DESIGN ENG. TCR 04/12/10 RELEASED

CHKD BY MFG. SCALE NTS

LET.	REVISION RECORD	BY	CKD.	DATE
A	Added hardware to exploded view and revised table on Sheet 2	BPF	TCR	4/14/11
B	Updated FBC to '2010 FBC SEC 1620.6' on Sheet 1	BPF	TCR	6/28/12
C	UPDATED FBC TO 2014 ON SHEET 1	TCR	TGB	5/28/15
D	REVISED FOR 42" TALL CURBS	TCR	TGB	8/24/15
E	WOOD SCREW PENETRATION AND CONCRETE STRENGTH	TCR	TGB	3/3/17

Acme Engineering &  
 Manufacturing Corp.  
 1820 N. York Street  
 Muskogee, OK 74403  
 918-682-7791