

Product Evaluation

RC694 | 0422

Engineering Services Program

The following product has been evaluated for compliance with the wind loads specified in the International Residential Code (IRC) and the International Building Code (IBC).

This product evaluation is not an endorsement of this product or a recommendation that this product be used. The Texas Department of Insurance has not authorized the use of any information contained in the product evaluation for advertising, or other commercial or promotional purpose.

This product evaluation is intended for use by those individuals who are following the design wind load criteria in Chapter 3 of the IRC and Section 1609 of the IBC. The design loads determined for the building or structure shall not exceed the design load rating specified for the products shown in the limitations section of this product evaluation. This product evaluation does not relieve a Texas licensed engineer of his responsibilities as outlined in the Texas Insurance Code, the Texas Administrative Code, and the Texas Engineering Practice Act.

For more information, contact TDI Engineering Services Program at (800) 248-6032.

Evaluation ID: RC-694

Effective Date: April 1, 2022

Re-evaluation Date: April 2026

Product Name: DMC 200S Minimum 24-gauge Steel, 18" Wide, Standing Seam Roofing Panels
Installed over an Insulated Steel Deck

Manufacturer: Drexel Metals, Inc.
1234 Gardener Lane
Louisville KY 40213
888-321-9630

General Description:

DMC 200S panels are minimum 24-gauge steel, pre-formed standing seam roofing panels. The panels have an 18" coverage width with a 2" tall standing seam. Refer to Figure 1. The panels are mechanically seamed.

Limitations:

Slope: The steel roofing panels may be installed on roofs with a roof slope as low as 1/4:12. Roofs with slopes less than 2:12 require authorization from Drexel's Technical Department.

Installation over an Existing Roof Covering: Installation over an existing roof covering is not permitted.

Table 1

Attachment of DMC 200S Minimum 24-gauge Steel, 18" Wide, Standing Seam Roofing Panels to Insulated Steel Roof Deck Using the DMC 200S Utility Floating Clip

Design Pressure (psf)	Clip Spacing	Purlins (12 gauge)	Steel Deck	Seam
-63.5	48" o.c.	5'-0" on center	22-gauge B-Deck	180-degree
-71.0	24" o.c.	5'-0" on center	22-gauge B-Deck	90-degree
-123.5	6" o.c.	5'-0" on center	22-gauge B-Deck	180-degree

Installation:

General: The steel roofing panels must be installed in accordance with the manufacturer's recommended installation instructions and this evaluation report.

Roof framing: Minimum 12-gauge steel purlins spaced a maximum of 5'-0" on center.

Roof Deck: 22-gauge, 1-1/2" B-deck

Insulation: Minimum one layer of 2" insulation loose laid on top of the steel deck.

DensDeck: A single layer of 1/4" DensDeck loose laid over the insulation.

Underlayment: Minimum of one layer of No. 30 (Type II) asphalt felt must be used. The underlayment used must comply with one or more of the following: ASTM D 226, ASTM D 4869, or ASTM D 1970. The underlayment must be installed with minimum 4" side laps and 6" end laps. The underlayment must be applied with corrosion resistant fasteners in accordance with the manufacturer's installation instructions, the IRC, and the IBC.

Clips: DMC 200S utility Floating Clip; 2.145" wide x 2.125" high x 4.313" long; 18-gauge galvanized steel base with a 22-gauge galvanized steel top. Refer to Figure 2.

Clip Fastener: Two (2) #14 x 4 pancake head screws per clip into the steel deck. The screws must penetrate through the deck with a minimum of 3/4" exposed on the underside of the deck.

Panel Ends and End Laps: As required by the manufacturer standard details.

Panel Edges: As required by the manufacturer standard details.

Trims, Closures, and Accessories: Components, such as the eave trim, rake trim, ridge trim, hip trim, and valley trim must be installed as required by the manufacturer standard details.

Note: Keep the manufacturer's installation instructions available on the job site during the installation. Use corrosion resistant fasteners as specified in the IRC and the IBC.

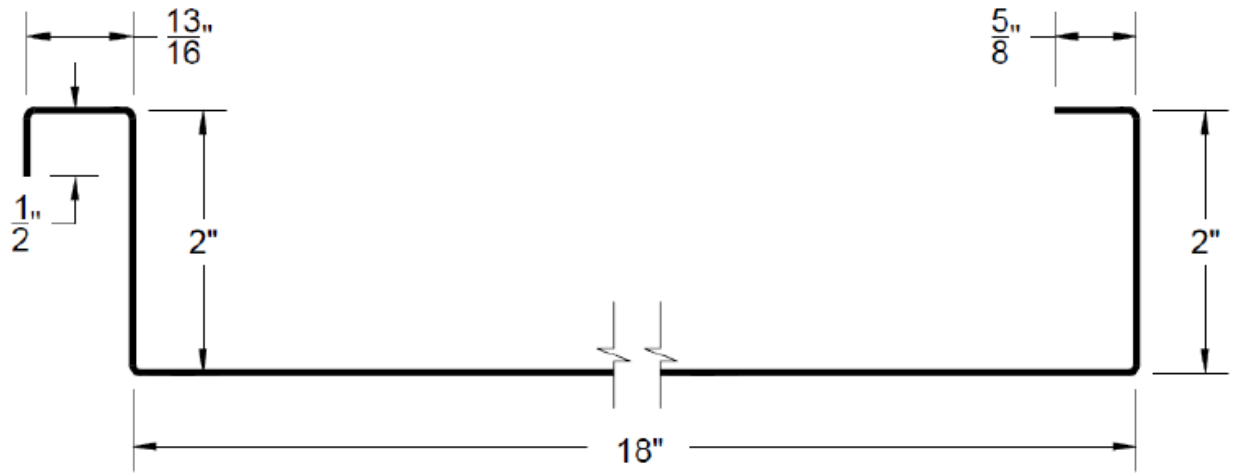


Figure 1. DMC 200S Standing Seam Panel Profile

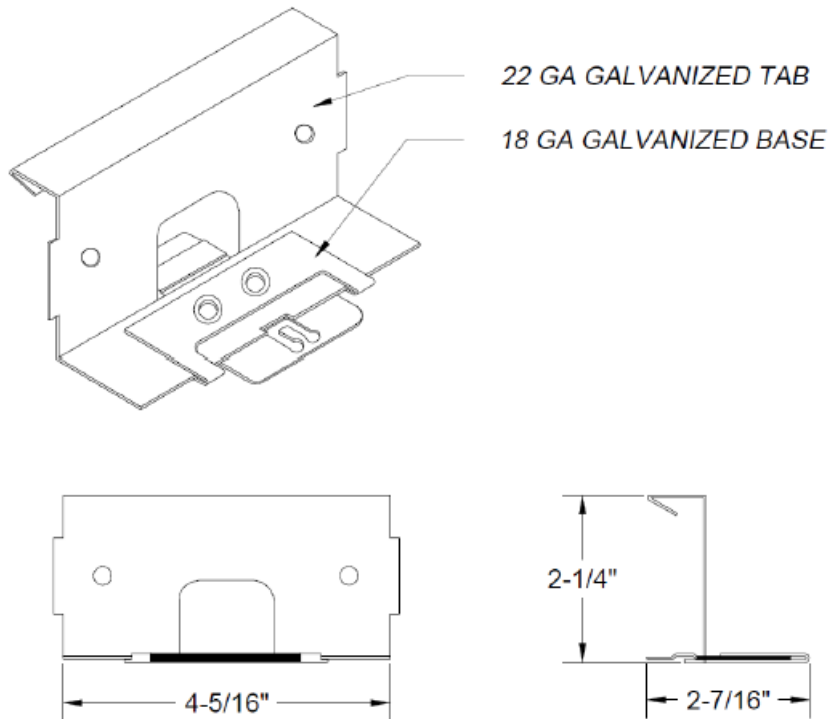


Figure 2. DMC 200S Utility Floating Clip