

## Product Evaluation

RC607 | 0619

Engineering Services Program

The following product has been evaluated for compliance with the wind loads specified in the International Residential Code (IRC) and the International Building Code (IBC).

This product evaluation is not an endorsement of this product or a recommendation that this product be used. The Texas Department of Insurance has not authorized the use of any information contained in the product evaluation for advertising, or other commercial or promotional purpose.

This product evaluation is intended for use by those individuals who are following the design wind load criteria in Chapter 3 of the IRC and Section 1609 of the IBC. The design loads determined for the building or structure shall not exceed the design load rating specified for the products shown in the limitations section of this product evaluation. This product evaluation does not relieve a Texas licensed engineer of his responsibilities as outlined in the Texas Insurance Code, the Texas Administrative Code, and the Texas Engineering Practice Act.

For more information, contact TDI Engineering Services Program at (800) 248-6032.

**Evaluation ID:** RC-607

**Effective Date:** June 1, 2019

**Re-evaluation Date:** June 2023

**Product Name:** IMETCO Series 300 Steel and Aluminum Standing Seam Roof Panels Installed over Steel Purlins

**Manufacturer:** Innovative Metals Company, Inc.  
4648 South Old Peachtree Road  
Norcross, GA 30084  
(770) 908-1030

### General Description:

IMETCO Series 300 is a factory-formed, standing seam metal roof panels with a 2-3/8" high vertical seam. This evaluation report covers 24-gauge and 22-gauge steel and 0.032" to 0.040" aluminum panels of 12", 16" or 18" widths.

### Limitations:

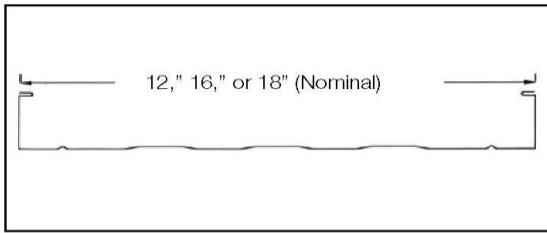
**Roof Slope:** The minimum IMETCO-recommended slope for Series 300 is 1/4:12.

**Span / Wind Load:** Span / wind load limitations for the panels are set forth in the table below. The wind load limitations include a 2 to 1 margin of safety applied to test data, and no-load combinations are considered. This evaluation is limited to the roof panel and its connecting clips. The design professional must determine the appropriate roof cladding design pressure requirements for comparison to the allowable pressures listed below.

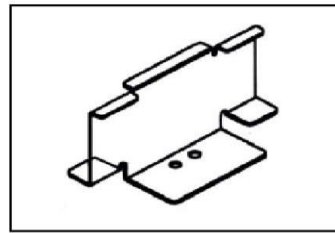
<b>IMETCO SERIES 300 – ALUMINUM or STEEL</b>
--

<b>Slope Range:</b>	1/4:12 or greater
<b>Purlins:</b>	(Minimum) 2-1/2" x 8" x 12-gauge steel purlins.
<b>Insulation:</b>	(Optional) Any compressible blanket insulation, 6" maximum thickness before compression, or foamed plastic (rigid insulation), 1" to 4" thick.
<b>Thermal Spacer:</b>	(Optional) Nominal 1 x 4 wood or 1 x 3 polystyrene strips over purlins. Continuous when blanket insulation exceeds 4" maximum thickness before compression.
<b>Metal Panels:</b>	0.032" or 0.040" aluminum panels, maximum 18" wide with 2-3/8" high seams. Panels must be continuous over three or more spans. OR 24-gauge or 22-gauge steel, maximum 18" wide with 2-3/8" high seams. Panels must be continuous over three or more spans.
<b>Clips:</b>	IMETCO 301016GS or 201016SS Clips: 16-gauge coated or stainless-steel clips measuring 5-3/8" long by 2-5/8" high.
<b>Fasteners:</b>	Two 14-13 DP1 fasteners of appropriate length for purlins to achieve a minimum penetration of 3 threads below steel, self-tapping, hex-head, plated or stainless-steel screws without washers per clip.
<b>Load / Span Limitations:</b>	See Load/Span tables 1A & 1B

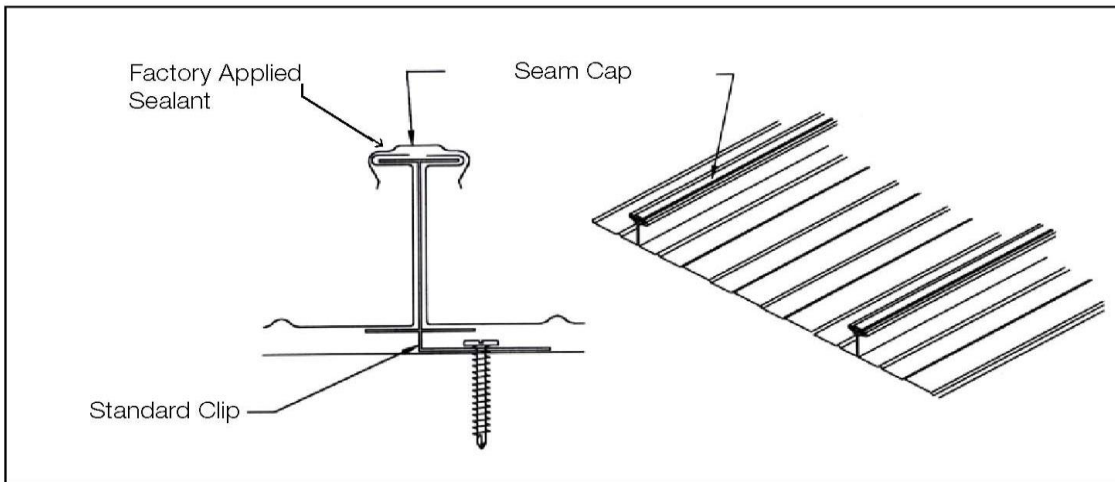
**PANEL PROFILE**



**STANDARD CLIP**



**SEAM DETAIL AND ASSEMBLY**



**TABLE 1A: SPAN / WIND LOAD TABLES**

<b>IMETCO SERIES 300</b>									
<b>ALUMINUM</b>									
<b>Roof Panel</b>	<b>Panel Width (inch)</b>	<b>Thickness (ga.)</b>	<b>Span (ft)</b>						
			<b>1</b>	<b>2</b>	<b>3</b>	<b>4</b>	<b>5</b>	<b>6</b>	<b>7</b>
			<b>Allowable Load (psf)</b>						
IMETCO Series 318	18	0.040	N/A	N/A	N/A	N/A	N/A	65.0	N/A
IMETCO Series 318	18	0.040	92.5	N/A	N/A	N/A	N/A	N/A	N/A

TABLE 1B: SPAN / WIND LOAD TABLES										
IMETCO SERIES 300										STEEL
Roof Panel	Panel Width (inch)	Thickness (ga.)	Span (ft)							
			1	2	3	4	5	5.5	6	7
			Allowable Load (psf)							
IMETCO S318	18	22	91.0	N/A	N/A	N/A	N/A	N/A	N/A	N/A
IMETCO S318	18	22	N/A	N/A	N/A	N/A	N/A	N/A	77.5	N/A
IMETCO S318	18	24	67.5	N/A	N/A	N/A	N/A	N/A	N/A	N/A
IMETCO S318	18	24	N/A	N/A	N/A	N/A	N/A	N/A	60.0	N/A

**Note:** Keep the manufacturer's installation instructions available on the job site during the installation. Use corrosion resistant fasteners as specified in the IRC, the IBC, and the Texas Revisions.