

Maximum design pressure capacity chart, Single with transom (psf)
1x3 3/8 Horizontal mullion with goal post clip 1x3 3/8
 Design pressures limited either by mullion, anchor screws or anchor clip capacity

		Unit width (in)								
		24.0	30.0	36.0	42.0	48.0	54.0	60.0	66.0	72.0
Tributary Height	24.0	120.0	120.0	120.0	120.0	120.0	120.0	120.0	120.0	120.0
	30.0	120.0	120.0	120.0	120.0	120.0	120.0	120.0	120.0	116.5
	36.0	120.0	120.0	120.0	120.0	120.0	120.0	120.0	120.0	115.3
	42.0	120.0	120.0	120.0	120.0	120.0	120.0	120.0	120.0	105.4
	48.0	120.0	120.0	120.0	120.0	120.0	120.0	115.3	98.9	86.5
	54.0	120.0	120.0	120.0	120.0	120.0	120.0	111.8	94.6	82.0
	60.0	120.0	120.0	120.0	120.0	120.0	120.0	110.7	92.3	79.1
	66.0	120.0	120.0	120.0	120.0	120.0	120.0	110.7	91.5	77.4
	72.0	120.0	120.0	120.0	120.0	120.0	120.0	110.7	91.5	76.9
	78.0	120.0	120.0	120.0	120.0	120.0	120.0	110.7	91.5	76.9
84.0	120.0	120.0	120.0	120.0	120.0	120.0	110.7	91.5	76.9	

**LARGE AND SMALL MISSILE IMPACT RATED
 UP TO WIND ZONE 3**

$$\text{TRIBUTARY HEIGHT} = \frac{H1 + H2}{2}$$

DESIGN PRESSURE TABLE INSTRUCTIONS:

- 1) DEFINE REQUIRED DESIGN LOAD PER TEXAS BUILDING CODE CHAPTER 16.
- 2) DETERMINE TRIBUTARY HEIGHT AND MULLION SPAN BASED ON PRODUCT TO BE INSTALLED. SEE FORMULA FOR TRIBUTARY HEIGHT.
- 3) LOCATE MULLION SPAN (UNIT WIDTH) AND TRIBUTARY HEIGHT. AT THE INTERSECTION OF COLUMN AND ROW CONTAINING THE MULLION SPAN AND TRIBUTARY WIDTH RESPECTIVELY IS THE MULLION RATING FOR PRODUCT IN STEP 2. MULLION RATING MUST BE EQUAL OR GREATER THAN REQUIRED DESIGN PRESSURE OBTAINED IN STEP 1.

TABLE OF CONTENTS	
SHEET NO.	DESCRIPTION
1, 2	ELEVATION, NOTES AND DESIGN PRESSURE CHARTS
3 - 4	INSTALLATION DETAILS AND BILL OF MATERIALS
5	COMPONENTS

REVISIONS			
REV	DESCRIPTION	DATE	APPROVED
A	ADD MULLION CONNECTIONS	01/23/19	R.L.

NOTES:

- 1) THE PRODUCT SHOWN HEREIN IS DESIGNED AND MANUFACTURED TO COMPLY WITH REQUIREMENTS OF THE 2006 IBC AND THE 2006 IRC WITH STATE OF TEXAS MODIFICATIONS AND WITH THE 2009 IBC, 2009 IRC, 2012 IBC, 2012 IRC, 2015 IBC AND 2015 IRC.
- 2) WOOD FRAMING AND MASONRY OPENING TO BE DESIGNED AND ANCHORED TO PROPERLY TRANSFER ALL LOADS TO STRUCTURE. FRAMING AND MASONRY OPENING IS THE RESPONSIBILITY OF THE ARCHITECT OR ENGINEER OF RECORD.
- 3) ALLOWABLE STRESS INCREASE OF 1/3 WAS NOT USED IN THE DESIGN OF THE PRODUCT SHOWN HEREIN. WIND LOAD DURATION FACTOR Cd=1.6 WAS USED FOR WOOD ANCHOR CALCULATIONS.
- 4) APPROVED IMPACT PROTECTIVE SYSTEM IS NOT REQUIRED FOR THIS PRODUCT IN WIND BORNE DEBRIS REGIONS, UP TO WIND ZONE 3
- 5) DESIGN PRESSURE AND INSTALLATION DETAILS SHOWN IN THIS DOCUMENT APPLY ONLY TO THE MULLION. WINDOWS MUST BE APPROVED UNDER SEPARATE APPROVAL.
- 6) SINGLE UNITS TO BE MULLED ARE NOT LIMITED TO THOSE SHOWN IN THIS DRAWING. SINGLE UNITS TO BE MULLED TOGETHER MUST BE MANUFACTURED BY BURRIS WINDOWS.
- 7) DESIGN PRESSURE OF MULLED UNIT SHALL BE CONTROLLED BY THE LESSER DESIGN PRESSURE OF THE MULLION OR THE INDIVIDUAL WINDOW UNIT.
- 8) VERTICAL MULLIONS ARE NOT PART OF THIS APPROVAL. VERTICAL MULLIONS USED TO MULL UNITS SIDE BY SIDE MUST HAVE SEPARATE APPROVAL.
- 9) FOR ADDITIONAL APPROVED CONFIGURATIONS SEE SHEET 2.

SIGNED: 01/23/2019

BURRIS WINDOWS
 2005 McDANIEL DR. SUITE 100
 CARROLLTON, TX 75006

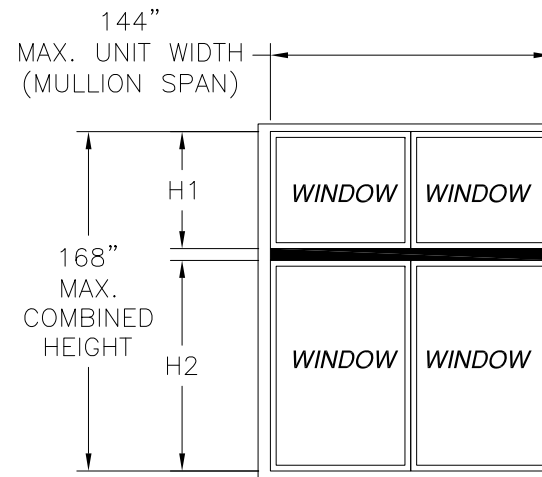
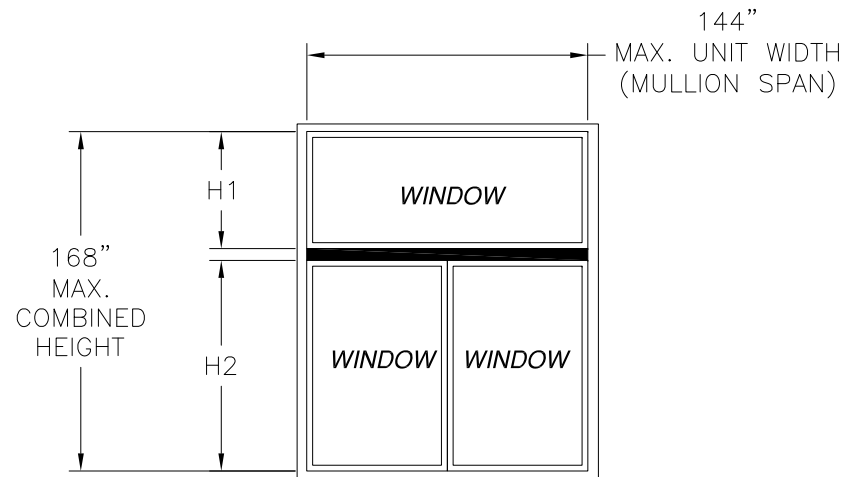
1" X 3 3/8" STRUCTURAL TUBING MULLION
 HORIZONTAL – LMI & SMI
 ELEVATIONS, NOTES AND DESIGN PRESSURE CHARTS

DRAWN: A.R.	DWG NO. 08-03235	REV A
SCALE NTS	DATE 01/23/2019	SHEET 1 OF 5

L. ROBERTO LOMAS P.E.
 1432 WOODFORD RD LEWISVILLE, NC 27023
 434-688-0609 rllomas@lrlomaspe.com



Luis R. Lomas P.E.
 TX No.: 101889



REVISIONS			
REV	DESCRIPTION	DATE	APPROVED
A	ADD MULLION CONNECTIONS	01/23/19	R.L.

Maximum design pressure capacity chart (psf)
Design pressure limited by mullion, anchors or clip capacity

Tributary Height (in)	Span and Tributary width (in)									
	48.00	60.00	72.00	84.00	96.00	108.00	120.00	132.00	144.00	
	24.00	30.00	36.00	42.00	48.00	54.00	60.00	66.00	72.00	
24.00	120.0	120.0	120.0	93.9	62.3	43.5	31.5	23.6	18.1	
30.00	120.0	120.0	116.5	76.6	50.7	35.3	25.5	19.1	-	
36.00	120.0	120.0	102.5	65.3	43.0	29.8	21.5	16.1	-	
42.00	120.0	119.1	92.7	57.4	37.6	26.0	18.7	-	-	
48.00	120.0	110.2	84.8	51.5	33.6	23.2	16.6	-	-	
54.00	120.0	103.5	77.8	47.0	30.6	21.0	15.0	-	-	
60.00	120.0	98.4	72.4	43.5	28.2	19.3	-	-	-	
66.00	120.0	94.2	68.3	40.7	26.2	17.9	-	-	-	
72.00	120.0	90.4	65.0	38.4	24.6	16.7	-	-	-	
78.00	120.0	86.8	62.3	36.6	23.3	15.8	-	-	-	
84.00	115.3	83.6	59.7	35.1	22.2	-	-	-	-	

LARGE AND SMALL MISSILE IMPACT RATED
UP TO WIND ZONE 3

Maximum design pressure chart, twin with twin transom (psf)

Tributary Height	Single Unit width and Total Unit width (in)									
	24.0	30.0	36.0	42.0	48.0	54.0	60.0	66.0	72.0	
	48.0	60.0	72.0	84.0	96.0	108.0	120.0	132.0	144.0	
24.0	120.0	120.0	120.0	98.7	65.6	45.8	33.2	24.9	19.1	
30.0	120.0	120.0	116.5	80.1	53.2	37.1	26.9	20.1	15.4	
36.0	120.0	120.0	102.5	67.8	44.9	31.3	22.6	16.9	-	
42.0	120.0	116.5	92.3	59.1	39.0	27.1	19.6	-	-	
48.0	120.0	105.4	83.9	52.4	34.6	24.0	17.3	-	-	
54.0	120.0	96.3	75.7	47.1	31.2	21.6	15.6	-	-	
60.0	115.3	88.6	68.3	42.8	28.3	19.7	-	-	-	
66.0	106.5	82.0	62.1	39.2	26.0	18.0	-	-	-	
72.0	98.9	76.4	56.9	36.1	24.0	16.7	-	-	-	
78.0	92.3	71.4	52.5	33.5	22.3	15.5	-	-	-	
84.0	86.5	67.1	48.8	31.3	20.8	-	-	-	-	

LARGE AND SMALL MISSILE IMPACT RATED
UP TO WIND ZONE 3

$$\text{TRIBUTARY HEIGHT} = \frac{H1 + H2}{2}$$

DESIGN PRESSURE TABLE INSTRUCTIONS:

- 1) DEFINE REQUIRED DESIGN LOAD PER TEXAS BUILDING CODE CHAPTER 16.
- 2) DETERMINE TRIBUTARY WIDTH AND MULLION SPAN BASED ON PRODUCT TO BE INSTALLED. SEE FORMULA FOR TRIBUTARY HEIGHT.
- 3) LOCATE MULLION SPAN (UNIT WIDTH) AND TRIBUTARY HEIGHT. AT THE INTERSECTION OF COLUMN AND ROW CONTAINING THE MULLION SPAN AND TRIBUTARY WIDTH RESPECTIVELY IS THE MULLION RATING FOR PRODUCT IN STEP 2.
MULLION RATING MUST BE EQUAL OR GREATER THAN REQUIRED DESIGN PRESSURE OBTAINED IN STEP 1.

SIGNED: 01/23/2019

BURRIS WINDOWS
2005 McDANIEL DR. SUITE 100
CARROLLTON, TX 75006

1" X 3 3/8" STRUCTURAL TUBING MULLION
HORIZONTAL – LMI & SMI
ELEVATIONS, NOTES AND DESIGN PRESSURE CHARTS

DRAWN: A.R.	DWG NO. 08-03235	REV A
SCALE NTS	DATE 01/23/2019	SHEET 2 OF 5

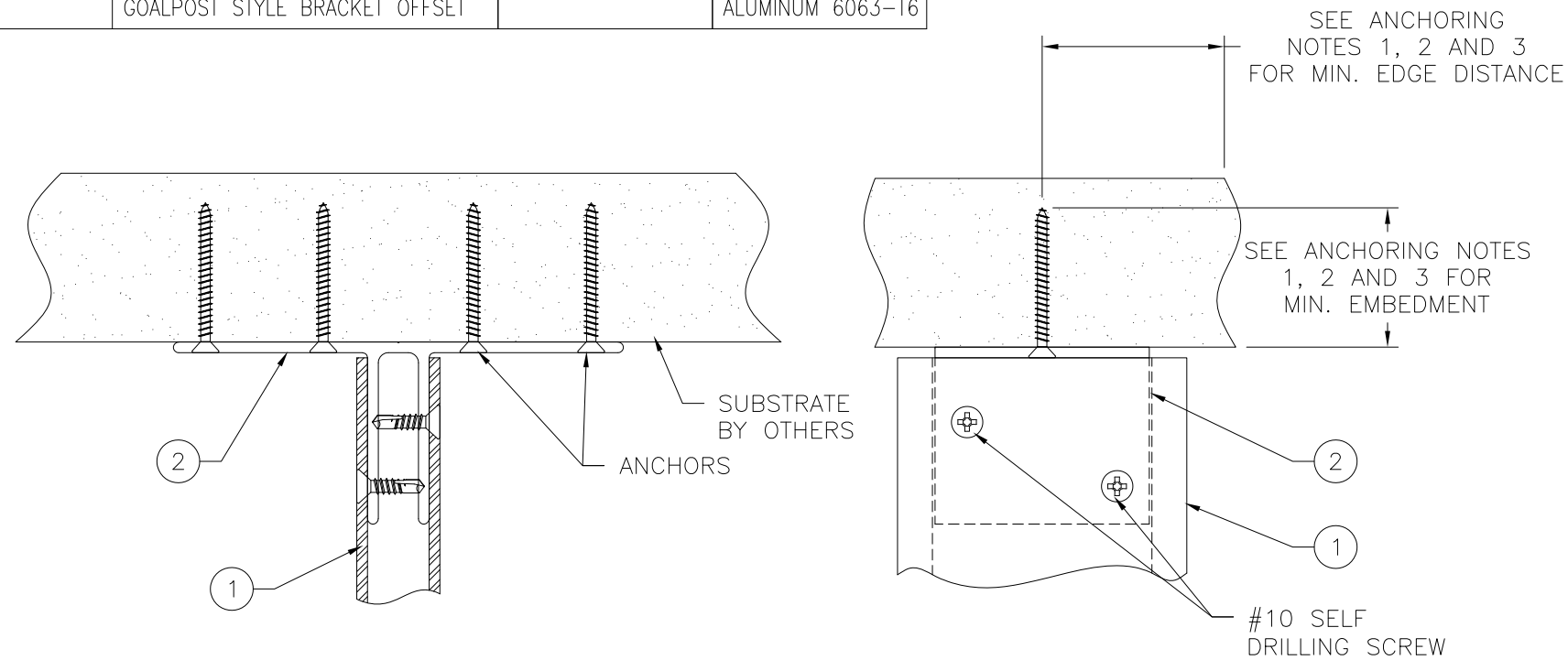
L. ROBERTO LOMAS P.E.
1432 WOODFORD RD LEWISVILLE, NC 27023
434-688-0609 rllomas@rlomaspe.com



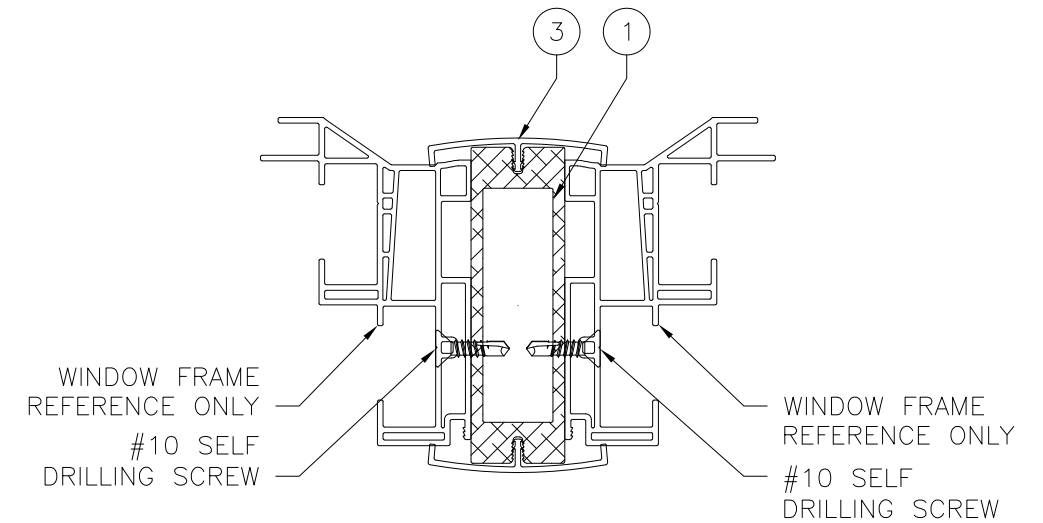
Luis R. Lomas P.E.
TX No.: 101889

PARTS LIST				
NO.	PART NUMBER	DESCRIPTION	MANUFACTURER	MATERIAL
1		1" x 3 3/8" STRUCTURAL TUBE MULL		ALUMINUM 6063-T6
2		GOALPOST STYLE BRACKET		ALUMINUM 6063-T6
3	AM72	COVER		RIGID PVC
4		GOALPOST STYLE BRACKET OFFSET		ALUMINUM 6063-T6

REVISIONS			
REV	DESCRIPTION	DATE	APPROVED
A	ADD MULLION CONNECTIONS	01/23/19	R.L.



DETAIL A
CLIP INSTALLATION AT EACH END OF MULLION



SECTION B-B
WINDOW TO MULLION INSTALLATION

ANCHORING NOTES:

- FOR ANCHORING INTO WOOD FRAMING OR 2X BUCK USE #10 WOOD SCREWS WITH SUFFICIENT LENGTH TO ACHIEVE A 1 3/8" MINIMUM EMBEDMENT INTO SUBSTRATE AND 1/2" MINIMUM EDGE DISTANCE. LOCATE ANCHORS AS SHOWN IN ELEVATIONS AND INSTALLATION DETAILS.
- FOR ANCHORING INTO CONCRETE USE 3/16" TAPCONS WITH SUFFICIENT LENGTH TO ACHIEVE A 1 1/4" MINIMUM EMBEDMENT INTO SUBSTRATE WITH 1 1/2" MINIMUM EDGE DISTANCE. LOCATE ANCHORS AS SHOWN IN ELEVATIONS AND INSTALLATION DETAILS.
- FOR ANCHORING INTO METAL STRUCTURE USE #10 SMS OR SELF DRILLING SCREWS WITH SUFFICIENT LENGTH TO ACHIEVE 3 THREADS MINIMUM BEYOND STRUCTURE INTERIOR WALL AND 3/4" MINIMUM EDGE DISTANCE. LOCATE ANCHORS AS SHOWN IN ELEVATIONS AND INSTALLATION DETAILS.
- FOR ATTACHING WINDOW UNITS TO MULLION USE #10 SELF TAPPING SCREWS WITH SUFFICIENT LENGTH TO ACHIEVE A MINIMUM EMBEDMENT OF 3 THREADS PAST THE MULLION WALL. LOCATE SCREWS 6" FROM EACH MULLION END AND 8" MAX O.C. THEREAFTER STAGGER SCREWS AT EACH WINDOW.
- FOR WINDOW UNITS ANCHORING SCHEDULE REFER TO WINDOW APPROVED INSTALLATION INSTRUCTIONS
- ALL FASTENERS TO BE CORROSION RESISTANT.
- INSTALLATION ANCHORS SHALL BE INSTALLED IN ACCORDANCE WITH ANCHOR MANUFACTURER'S INSTALLATION INSTRUCTIONS AND ANCHORS SHALL NOT BE USED IN SUBSTRATES WITH STRENGTHS LESS THAN THE MINIMUM STRENGTH SPECIFIED BELOW:
 - WOOD - MINIMUM SPECIFIC GRAVITY OF G=0.42
 - CONCRETE - MINIMUM COMPRESSIVE STRENGTH OF 3,192 PSI.
 - METAL STRUCTURE: STEEL 18GA, 33KSI OR ALUMINUM 6063-T5 .060" THICK MINIMUM

SIGNED: 01/23/2019

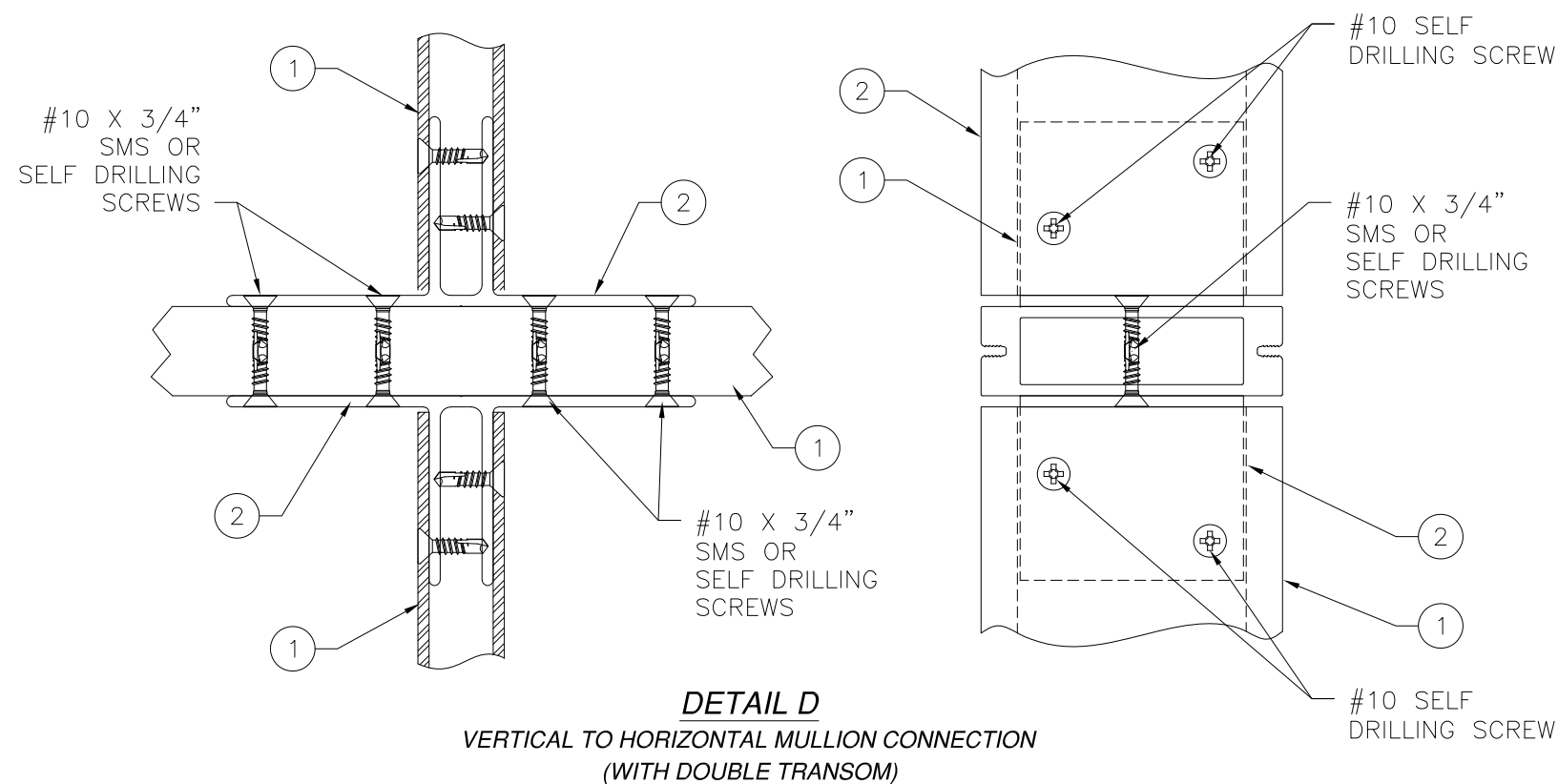
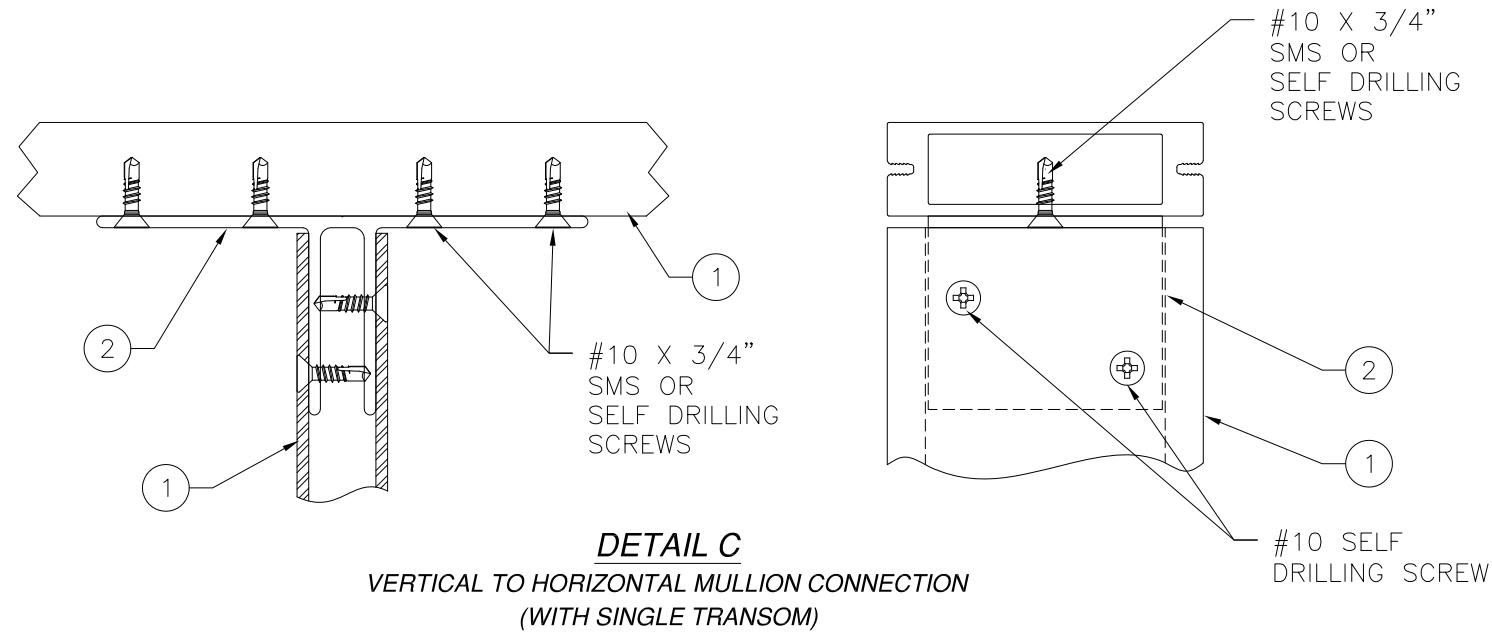
BURRIS WINDOWS 2005 McDANIEL DR. SUITE 100 CARROLLTON, TX 75006		
1" X 3 3/8" STRUCTURAL TUBING MULLION HORIZONTAL - LMI & SMI INSTALLATION DETAILS AND B.O.M.		
DRAWN: A.R.	DWG NO. 08-03235	REV A
SCALE NTS	DATE 01/23/2019	SHEET 3 OF 5
L. ROBERTO LOMAS P.E. 1432 WOODFORD RD LEWISVILLE, NC 27023 434-688-0609 rllomas@rlomaspe.com		



Luis R. Lomas P.E.
TX No.: 101889

PARTS LIST				
NO.	PART NUMBER	DESCRIPTION	MANUFACTURER	MATERIAL
1		1" x 3 3/8" STRUCTURAL TUBE MULL		ALUMINUM 6063-T6
2		GOALPOST STYLE BRACKET		ALUMINUM 6063-T6
3	AM72	COVER		RIGID PVC
4		GOALPOST STYLE BRACKET OFFSET		ALUMINUM 6063-T6

REVISIONS			
REV	DESCRIPTION	DATE	APPROVED
A	ADD MULLION CONNECTIONS	01/23/19	R.L.



BURRIS WINDOWS
2005 McDANIEL DR. SUITE 100
CARROLLTON, TX 75006

1" X 3 3/8" STRUCTURAL TUBING MULLION
HORIZONTAL - LMI & SMI
INSTALLATION DETAILS AND B.O.M.

DRAWN: A.R.	DWG NO. 08-03235	REV A
SCALE NTS	DATE 01/23/2019	SHEET 4 OF 5

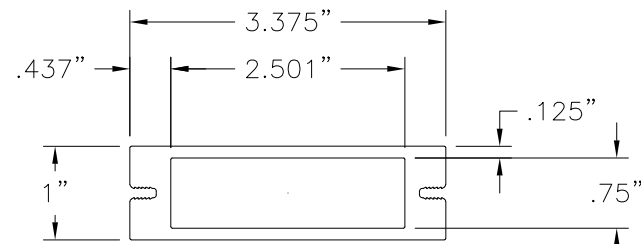
L. ROBERTO LOMAS P.E.
1432 WOODFORD RD LEWISVILLE, NC 27023
434-688-0609 rllomas@rlomaspe.com

SIGNED: 01/23/2019

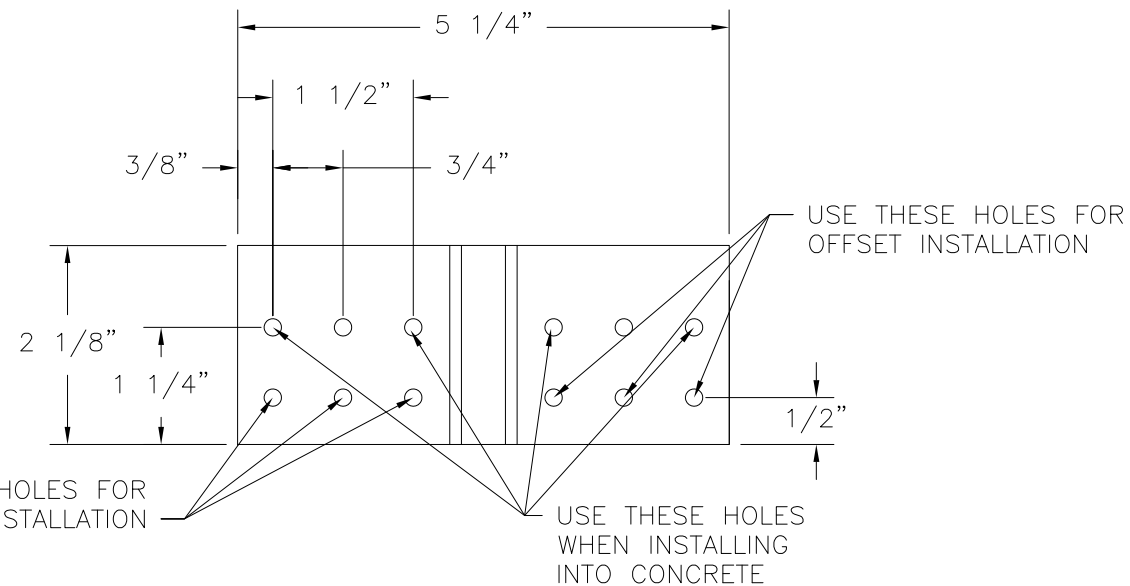


Luis R. Lomas P.E.
TX No.: 101889

REVISIONS			
REV	DESCRIPTION	DATE	APPROVED
A	ADD MULLION CONNECTIONS	01/23/19	R.L.

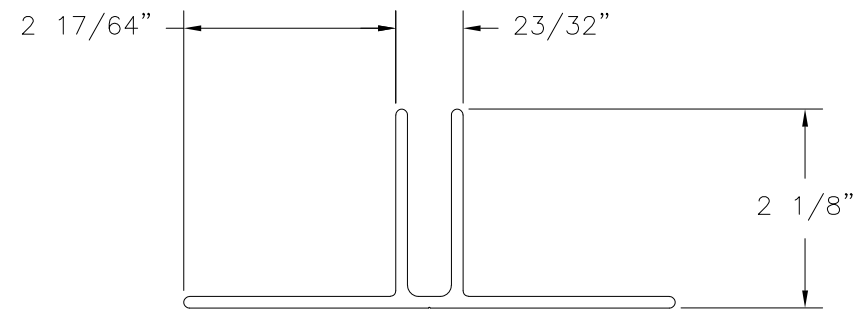


① **1" x 3 3/8" STRUCTURAL TUBING MULLION**
6063-T6 ALUMINUM .125" THICK

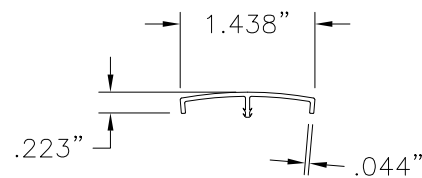


USE THESE HOLES FOR
OFFSET INSTALLATION

USE THESE HOLES
WHEN INSTALLING
INTO CONCRETE



② **GOALPOST STYLE BRACKET (5 1/4" x 2 1/8")**
6063-T6 ALUMINUM .125" THICK



③ **COVER**
RIGID PVC .044" THICK

SIGNED: 01/23/2019

BURRIS WINDOWS 2005 McDANIEL DR. SUITE 100 CARROLLTON, TX 75006		
1" X 3 3/8" STRUCTURAL TUBING MULLION HORIZONTAL – LMI & SMI COMPONENTS		
DRAWN: A.R.	DWG NO. 08-03235	REV A
SCALE NTS	DATE 01/23/2019	SHEET 5 OF 5
L. ROBERTO LOMAS P.E. 1432 WOODFORD RD LEWISVILLE, NC 27023 434-688-0609 rllomas@lrlomaspe.com		



Luis R. Lomas P.E.
TX No.: 101889