

Window Options:  
 1/8" DSB  
 1/4" Tempered Glass  
 7/16" Insulated Glass  
 7/16" Tempered Insulated Glass

Door Height	Section Quantity	Strut Quantity	Trk Bklt Per Side
6'-0" to 8'-0"	4	0	3
8'-3" to 10'-0"	5	0	4
10'-3" to 12'-0"	6	0	5
12'-3" to 14'-0"	7	0	6
14'-3" to 16'-0"	8	0	8
16'-3" to 18'-0"	9	0	9
18'-3" to 20'-0"	10	0	10
20'-3" to 22'-0"	11	0	12
22'-3" to 24'-0"	12	0	13

Track bracket quantities shown are for use with grade 2 or better spruce-pine-fir (SPP) or southern pine jambs.

Supplemental Instructions contain details for doors up to 24'-0" high. These are required in addition to this drawing for installation. Always use supplemental instructions in addition to this drawing during door installation.

	SCALE	nts
	DATE	2-18-2013
Model's: 3212, 3216, 3285		
17.6 (psf) / - 19.7 (psf) at 10'-00" through		
17.3 (psf) / - 19.4 (psf) at 10'-02"		
C.H.I. Drawing: TZ3-10-63313		
page 1_of_2		

*John E. Scates*  
 2/22/13  
 John E. Scates, P.E.  
 3121 Fairgate Drive  
 Carrollton, Texas 75007  
 TXPE 56308, F-2203



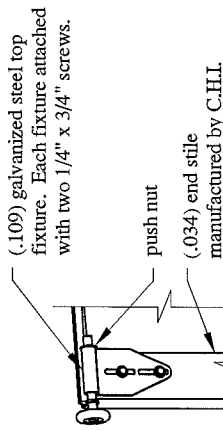
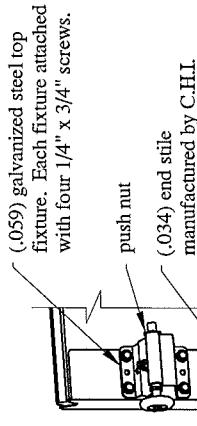
Supporting structural elements to be designed by registered professional engineer for specified wind loads. If door is not electrically operated, a lock must be installed.  
 Door height: 24'-0" max  
 Section height: 24" max  
 Professional Engineer's seal provided only for verification of windload construction details

This door has been evaluated per ASCE 7-02 & 7-05 as referenced by 2006 IRC 1609 & 2006 IRC 301, in accordance with ANSI/DASMA 108-02, 108-05, & ASTM E330-02. Design Pressures (DP) typically meet requirements for the following exposure B wind speeds. These wind speeds are for 8' high doors on buildings with a flat roof height less than 30 feet.

Door Width	With windows		No windows		Backer plates
	Design Pressure	Exp B	Design Pressure	Exp B	
10'-02"	17.3 / - 19.4 (psf)	110 (mph)	17.3 / - 19.4 (psf)	110 (mph)	2
10'-00"	17.3 / - 19.4 (psf)	110 (mph)	17.6 / - 19.7 (psf)	111 (mph)	2

Backer plate quantity is minimum per section.

Strut (if applicable) not shown for clarity.



Optional low head room top bracket

nominal Ø 2" (min.) 10 (min.) ball roller with nylon or steel tread.

3-1/2" (min) stem

2" (max. for .058 thick) 4" (max. for .109 thick)

(.102) galvanized steel bottom bracket manufactured by C.H.I. Each bracket attached with four red 1/4" x 3/4" screws.

push nut

Vinyl weatherstrip

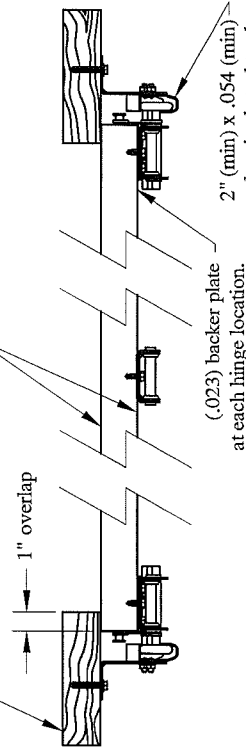
Aluminum extrusion

(.109) galvanized steel bottom bracket manufactured by C.H.I. Each bracket attached with four red 1/4" x 3/4" screws.

Optional low head room bottom bracket

The vertical wood jamb fasteners may be counter sunk to provide a flat mounting surface. See jamb attachment details for more information about attaching jambs to structure.

nominal (.0155) galvanized steel minimum



End Hinge galvanized steel fastened to section with four 1/4" x 3/4" screws.

push nut

2-3/4"

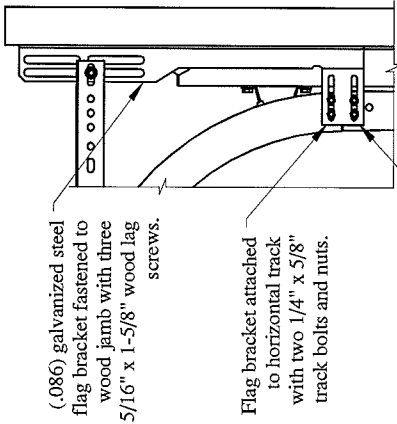
Each track bracket attached with one 1/4" x 5/8" track bolt and nut or two 1/4" x 11/32" rivets.

2-3/4"



Professional Engineer's seal provided only for verification of window construction details

Details on some views may have been omitted for clarity.



Flag bracket attached to vertical track with two 1/4" x 5/8" track bolts and nuts. Or two 1/4" x 11/32" rivets.

(.102) galvanized steel track bracket fastened to wood jamb with one 5/16" x 1-5/8" wood lag screw per bracket.

Each track bracket attached with one 1/4" x 5/8" track bolt and nut or two 1/4" x 11/32" rivets.

G.H.I. SCALE	PLS
	DATE 2-18-2013
Models:	3212, 3216, 3285
17.6 (psf) / - 19.7 (psf) at 10'-00" through	
17.3 (psf) / - 19.4 (psf) at 10'-02"	
C.H.I. Drawing: TZ3-10-63313	
page 2_of_2	

John E. Scates  
2/12/13

John E. Scates, P.E.  
3121 Fairgate Drive  
Carrollton, Texas 75007  
TXPE 56308, F-2203