

ATTACHMENT OF JAMB TO SUPPORTING STRUCTURE

WOOD JAMBS SHALL BE SPRUCE-PINE-FIR (SPF) OR BETTER. TO ATTACH JAMBS TO SPRUCE PINE FIR, SOUTHERN YELLOW PINE, CONCRETE, BRICK OR BLOCK WALLS USE FASTENERS WITH SIZE, SPACING, AND EMBEDMENT AS SHOWN IN THE TABLE BELOW.

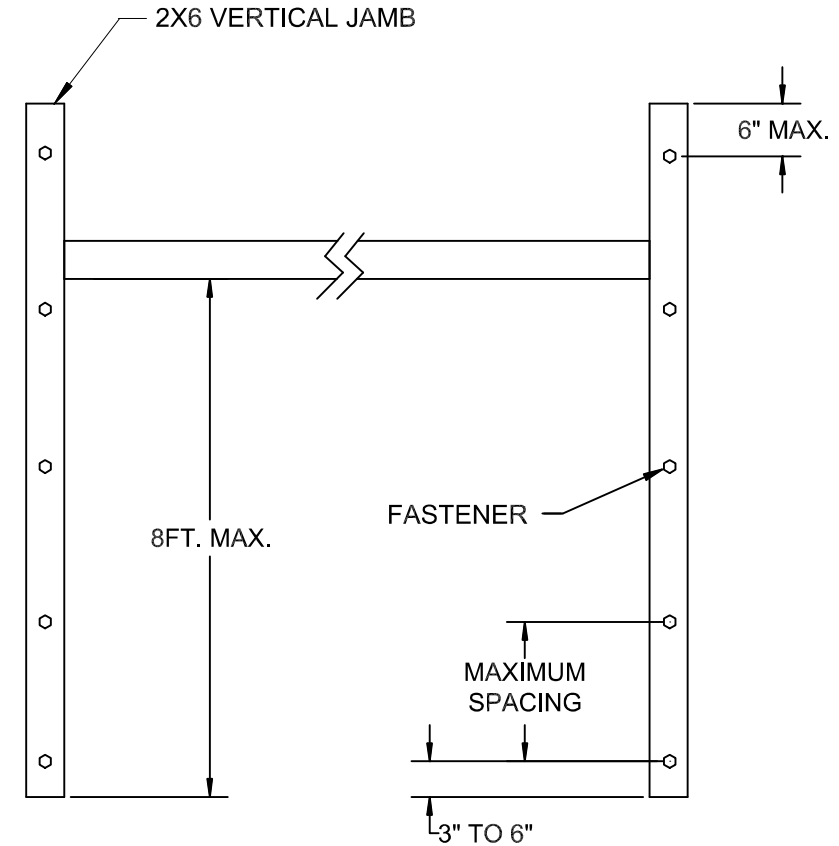
WHEN MOUNTING 2X6 ON TOP OF DRYWALL, INCREASE FASTENER LENGTH TO MAINTAIN SPECIFIED MIN. EMBEDMENT. SPACING IN CHART IS MAXIMUM VALUE. INSTALL FIRST FASTENER AS SHOWN IN DIAGRAM AND SPACE FASTENERS ACCORDING TO CHART WITH TOP FASTENER WITHIN 6" FROM TOP OF JAMB. SPACING SHOULD NOT EXCEED 24".

SPRING PAD LOCATION NOT INCLUDED

DOOR WIDTH (FT)	DESIGN LOAD P.S.F.	MAXIMUM SPACING (INCHES)				
		2500 PSI CONCRETE WITH SCREW ANCHORS (NOTE 1)	2000 PSI CONCRETE WITH STUD ANCHORS (NOTE 2)	2500 PSI CONCRETE WITH STUD ANCHORS (NOTE 3)	2000 PSI GROUT-FILLED CMU WITH STUD ANCHORS (NOTE 4)	WOOD WALL SPRUCE-PINE-FIR WITH LAG SCREWS (NOTE 5)
9	30	24	24	24	24	24
9	35	24	24	24	24	24
9	45	24	24	24	24	24
9	50	24	24	24	24	24
9	60	24	24	24	22	22
10	30	24	24	24	24	24
10	35	24	24	24	24	24
10	45	24	24	24	24	24
10	50	24	24	24	24	24
10	60	21	24	21	20	20
16	30	24	24	24	24	24
16	35	23	24	23	21	21
16	45	18	20	18	17	17
16	50	16	18	16	15	15
16	60	13	15	13	13	13
18	30	24	24	24	22	22
18	35	20	23	20	19	19
18	45	16	18	16	15	15
18	50	14	16	14	13	13
18	60	12	14	12	11	11

- NOTE 1. Secure wood to concrete with either:
Tapcon+(pulus) 1/4" x 1-5/8" Edge x 2" Embed
DeWalt Screw-Bolt+, 1/4" x 1.5" Edge x 1.75" Embed
Use 1-1/8" diameter washer.
- NOTE 2. Secure wood to filled-CMU with:
DeWalt Screw bolt+, 3/8" x 1.5" Edge x 3.25" Embed
Use 1-1/4" diameter washer.
- NOTE 3. Secure wood to concrete with either:
KwitBolt3, 1/4" x 2-5/8" Edge x 2" Embed
ITW TruBolt, 1/4" x 1-5/8" Edge x 1.75" Embed
Use with 1-1/8" washer.

- NOTE 4. Secure wood to filled-CMU with either:
ITW TruBolt+, 3/8" x 4" Edge x 2.5" Embed
Hilti KwitBolt3, 3/8" x 4" Edge x 2.5" Embed
Use 1-1/4" diameter washer
- NOTE 5. Secure wood to wood-wall with:
3/8" x 3" long Lag Screw
Use 1-1/4" diameter washer.

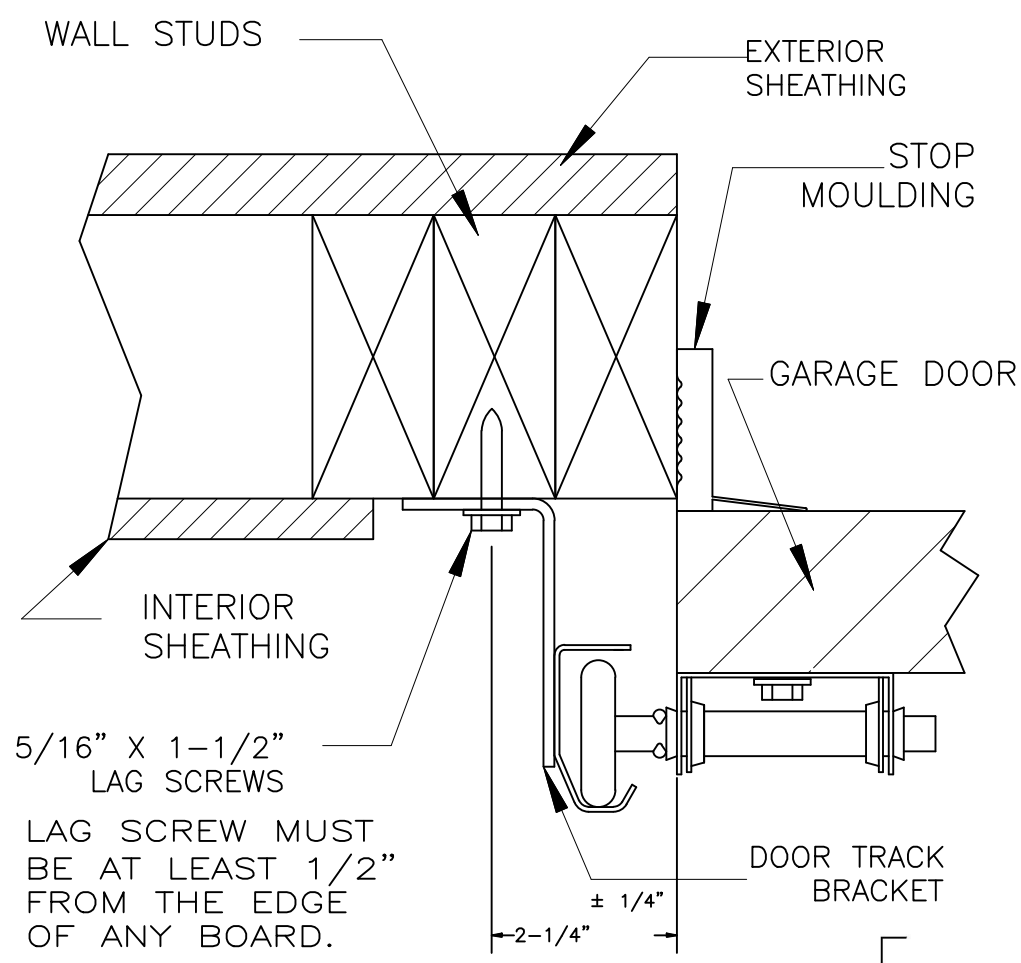


John E Scates PE
2560 King Arther Blvd #124-54
Lewisville, TX 75056
TX-PE 56308-F2203
FL-PE-51737

Professional Engineer's seal provided only for verification of windload construction details.

REV.	E.C.N.	CHANGE	DATE
G		UPDATED CHART W/NEW FASTENERS	5/12/20
F		UPDATED CHART, NOTES	
E	2810	NEW LOGO/ENG. SEAL	3/8/07
D	2810	REVISED CHART	3/8/07
C	2773	REMOVE HEADER NOTE	4/5/06
B	2557	ADDED SOUTHERN PINE	6/5/03
A	2422	UPDATED CHART, NOTES, JAMB	3/5/02
-	1814	RELEASE DRAWING	5/20/98

GARAGE DOOR SERVICES	
PART NAME: JAMB ATTACHMENT SCHEDULE	
PART NUMBER: REF. DRAWING	MATERIAL: N/A
TOLERANCE: .xxx ±	CHANGED BY: ABL
.xx ±	APPROVED BY:
.ANG ±	DRAWING NUMBER: 99-A-090
	SHEET 1 of 2

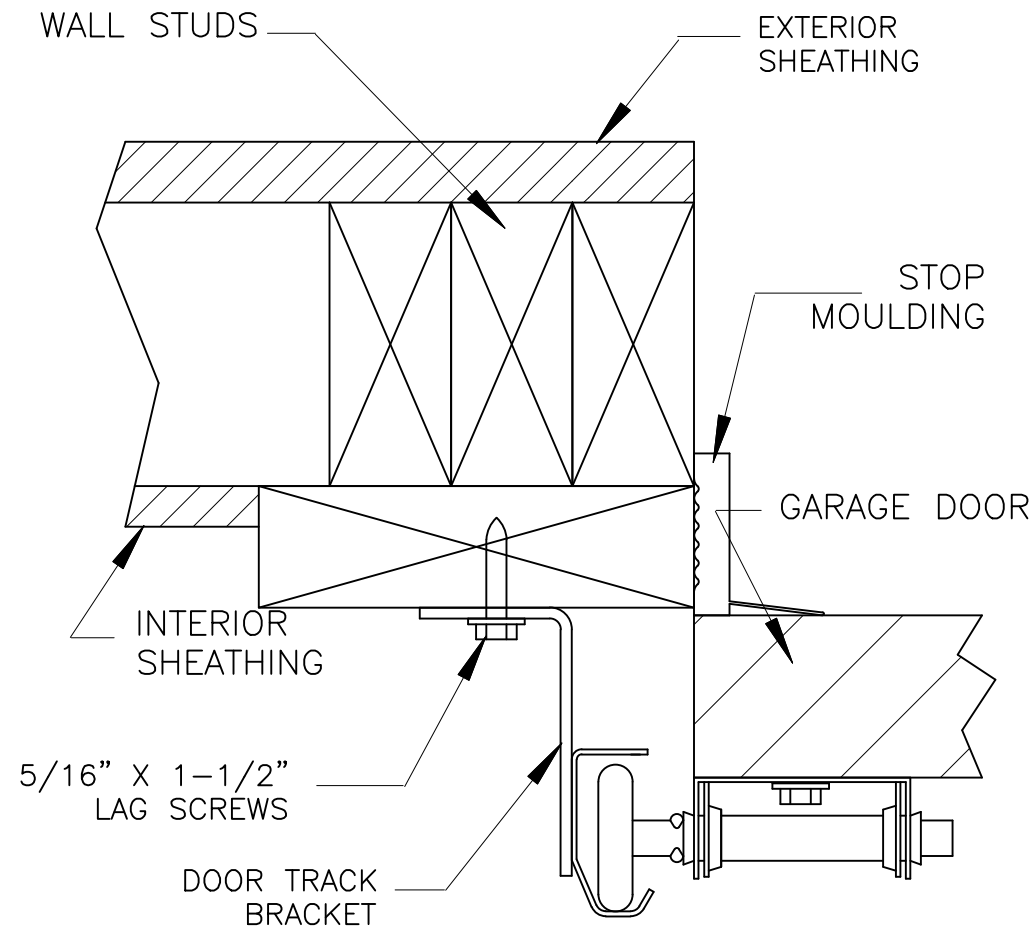


5/16" X 1-1/2"
LAG SCREWS
LAG SCREW MUST
BE AT LEAST 1/2"
FROM THE EDGE
OF ANY BOARD.

MOUNTING
SURFACE MUST
BE FULLY
SUPPORTED BY
WALL STUDS

ALTERNATE ATTACHMENT OF
DOOR BRACKETS DIRECT TO
WOOD WALL FRAMING.

*NOTE: WALL STUDS TO BE SPRUCE-PINE-FIR (SPF), SOUTHERN
YELLOW PINE OR BETTER WITH NO KNOTS AT SCREWS
AND NO FINGER JOINTS. (WALL FRAMING SHOWN IS FOR
ILLUSTRATION PURPOSES ONLY. ACTUAL FRAMING MUST
COMPLY WITH BUILDING CODE REQUIREMENTS.)



5/16" X 1-1/2"
LAG SCREWS
DOOR TRACK
BRACKET

ATTACHMENT OF DOOR BRACKETS
TO 2" X 6" WOOD JAMB.

				GARAGE DOOR SERVICES			
				PART NAME: ATTACHMENT OF GARAGE DOOR BRACKETS TO WOOD WALL			
				PART NUMBER: REF. DRAWING		MATERIAL:	
				TOLERANCE		CHANGED BY: RLB	
				FRAC. ±		DRAWING NUMBER: 99-A-090	
				.XXX ±		APPROVED BY: RLB	
				.XX ±		SHEET 2 OF 2	
				ANG. ±			
REV.	E.C.N.	CHANGE	DATE				