

NOTES:

1. NON IMPACT GLAZING OPTIONS:
 16 X 9.75 CLEAR OPENING
 36.75 X 9.75 CLEAR OPENING
 GLAZING SSB (0.090") MINIMUM.
 MAY INCLUDE DECORATIVE INSERTS
 INSTALLED IN TOP OR INTERMEDIATE SECTION.
 NOT AVAILABLE IN MORE THAN ONE SECTION.
 DOES NOT SATISFY WINDBORNE-DEBRIS.

2. IMPACT GLAZING OPTION:
 16.75 X 9.75 CLEAR OPENING
 GLAZING 1/4" GROOVED POLYCARBONATE
 ALUMINUM FRAMES WITH 10 SCREWS MAY
 INCLUDE DECORATIVE INSERTS INSTALLED IN
 TOP OR INTERMEDIATE SECTION.
 NOT AVAILABLE IN MORE THAN ONE SECTION.
 SEE ASSEMBLY DETAIL ON SHEET 2.

3. VINYL OR WOOD DOOR STOP NAILED A
 MAXIMUM OF 6" O.C. MUST OVERLAP TOP
 AND BOTH ENDS OF PANELS MINIMUM 7/16"
 TO MEET NEGATIVE PRESSURES.

4. KEY LOCK, SLIDE LOCK, OR OPERATOR
 REQUIRED.

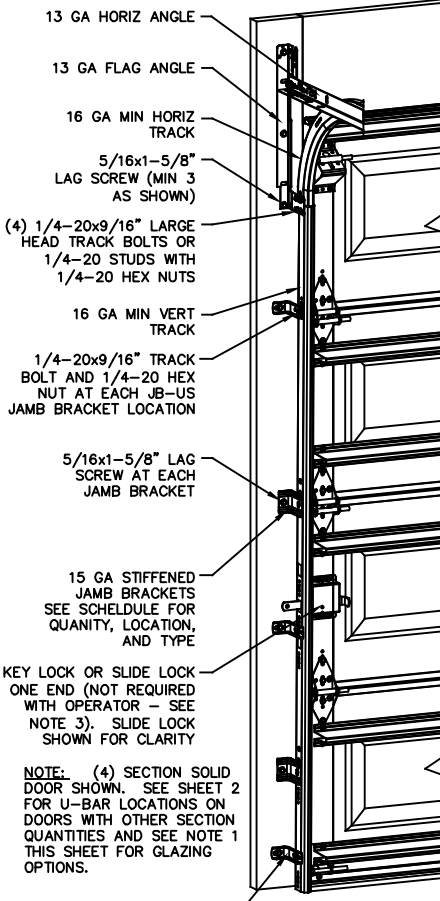
5. LOUVER OPTION - .032" MINIMUM
 LOUVERS IN MOLDED FRAMES SCREWED
 TOGETHER WITH A MINIMUM OF (10) #8x1"
 SCREWS INSTALLED IN THE BOTTOM SECTION.
 LOUVERS ARE NOT IMPACT RESISTANT AND
 DO NOT MEET THE REQUIREMENTS FOR
 WIND-BORNE DEBRIS REGIONS.

6. SECTION STEEL TO HAVE A MINIMUM 25
 GA THICKNESS.

7. THE DESIGN OF THE SUPPORTING
 STRUCTURAL ELEMENTS SHALL BE THE
 RESPONSIBILITY OF THE PROFESSIONAL OF
 RECORD FOR THE BUILDING OR STRUCTURE
 AND IN ACCORDANCE WITH CURRENT
 BUILDING CODES FOR THE LOADS LISTED ON
 THIS DRAWING.

8. DOOR JAMB TO BE GRADE 2 SOUTHERN
 PINE. REFER TO JAMB CONNECTION
 SUPPLEMENT FOR ATTACHMENT TO
 SUPPORTING STRUCTURE.

9. FOR LOW HEAD ROOM LIFT CONDITIONS,
 TOP BRACKET SHALL BE A 13 GA LHR 7/4
 TOP BRACKET WITH A MINIMUM OF (3)
 1/4-14x7/8" SELF DRILLING CRIMPITITE
 SCREWS IN LIEU OF THE BRACKET SHOWN ON
 THIS DRAWING. U-BAR ON TOP SECTION
 SHALL BE INSTALLED ON TOP OF LHR TOP
 BRACKETS.



12 GA ROLLER SLIDE ATTACHED TO BRACKET WITH 5/16-18 BOLT & NUT IN CENTER SLOT AND 1/4-20x9/16" TRACK BOLT & 1/4-20 HEX NUT THROUGH ANY TWO ALIGNING HOLES

12 GA COMMERCIAL 'A' FRAME TOP BRACKET ATTACHED WITH (4) 1/4-14x7/8" SELF DRILLING CRIMPITITE SCREWS

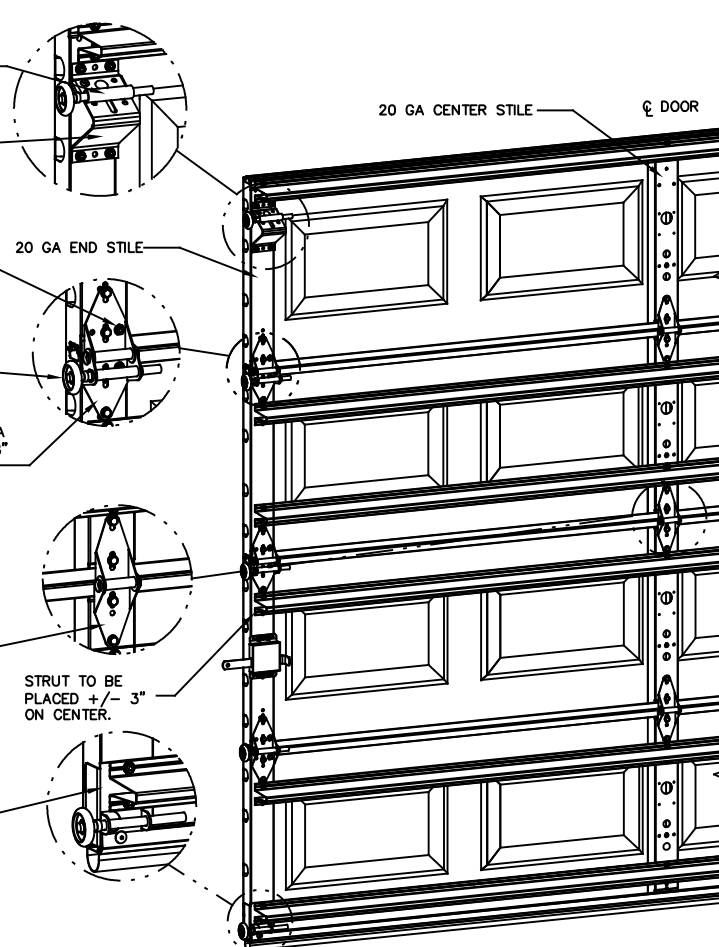
ADD (2) 1/4-14x7/8" SELF DRILLING CRIMPITITE SCREWS (INSIDE OF EACH END HINGE)

2" NYLON STORMGARD ROLLER WITH 4-1/2" STEM EACH ROLLER LOCATION. OPTIONAL- 11 BALL BEARING NYLON ROLLER

#1 HINGE IS 14 GA
 #2 HINGE IS 13 GA
 #3 HINGE (AND ALL ABOVE) ARE 13 GA HINGE ATTACHED WITH (4) 1/4-14x5/8" SELF TAPPING SCREWS

18 GA NARROW BODY INTERMEDIATE HINGE ATTACHED WITH (4) 1/4-14x5/8" SELF TAPPING SCREWS

14 GA BOTTOM BRACKET ATTACHED WITH (2) 1/4-14x7/8" SELF DRILLING CRIMPITITE SCREWS AND (1) 1/4-14x5/8" SELF DRILLING RED SCREW. (12 GA FOR IMPACT RATED ONLY)



SUPERIMPOSED DESIGN PRESSURE LOADS ON SUPPORTING STRUCTURE

DOOR WIDTH	DOOR HEIGHT	UNIFORM LOAD EACH JAMB (PLF)
6'-0"	ALL	+124.0/-140.0
8'-0"	ALL	+139.5/-157.5

JAMB BRACKET SCHEDULE

DOOR HEIGHT	NO. OF SECTIONS	NO. OF JAMB BRACKETS (EACH JAMB)	TRACK TYPE	LOCATION OF CENTERLINE OF JAMB BRACKETS MEASURED FROM BOTTOM OF TRACK (ALL DIMENSIONS ± 2")
6'-6"	4	5	QI	2" (JB-US), 14" (QI), 34" (JB-US), 44" (QI), 56" (JB-US)
6'-6"	4	5	FAT	2" (JB-US), 10" (JB-US), 25-3/4" (JB-US), 39" (JB-US), 57-1/4" (JB-US)
7'-0"	4	5	QI	2" (JB-US), 14" (QI), 29-1/2" (JB-US), 44" (QI), 63-1/4" (JB-US)
7'-0"	4	5	FAT	2" (JB-US), 10" (JB-US), 29-3/4" (JB-US), 42" (JB-US), 63-1/4" (JB-US)
7'-6"	5	6	QI	2" (JB-US), 14" (QI), 28-1/2" (JB-US), 43" (QI), 62-1/2" (QI), 72" (JB-US)
7'-6"	5	6	FAT	2" (JB-US), 10" (JB-US), 26-3/4" (JB-US), 45" (JB-US), 63" (JB-US), 74-1/2" (JB-US)
8'-0"	5	6	QI	2" (JB-US), 14" (QI), 34" (JB-US), 46" (QI), 58" (JB-US), 66-1/2" (QI)
8'-0"	5	6	FAT	2" (JB-US), 10" (JB-US), 29-3/4" (JB-US), 48" (JB-US), 57-1/2" (JB-US), 77-1/2" (JB-US)
> 8'-0"				SEE NOTE BELOW

NOTE:

(JB-US) FOLLOWING DIMENSION DENOTES SLOTTED JAMB BRACKET ATTACHED TO TRACK WITH 1/4-20x9/16" TRACK BOLT AND NUT.
 (QI) FOLLOWING DIMENSION DENOTES QUICK INSTALL JAMB BRACKET INSTALLED IN BUTTERFLY SLOT. NO ADDITIONAL HARDWARE NEEDED TO ATTACH TO TRACK.
 ALL DOORS GREATER THAN 8' IN HEIGHT REQUIRE USE OF CONTINUOUS WALL ANGLE. SEE SUPPLEMENT TRACK CHART FOR DETAILS.

COMPLIES WITH THE REQUIREMENTS OF IBC/IRC 2018.

Wayne Dalton
GARAGE DOORS

A DIVISION OF OVERHEAD DOOR CORP.
 3395 ADDISON DRIVE
 PENSACOLA, FLORIDA 32514
 (850) 474-9890

STATIC PRESSURE RATINGS		APPROVED SIZES	SCALE: N.T.S.	SIZE: A
DESIGN (PSF):	+31.00/-35.00	MAX WIDTH: 9'-0"	DATE	NAME
TEST (PSF):	+46.50/-52.50	MAX HEIGHT: 14'-0"	DRAWN	ESC
IMPACT/CYCLIC RATED (YES/NO):	YES	MAX SECTION HEIGHT: 21"	CHECKED	TLC

MODELS 8000/8100/8200

WINDLOAD SPECIFICATION OPTION CODE 1105

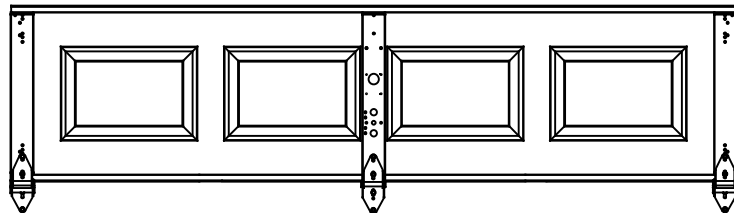
SHEET 1 OF 2

DRAWING PART NO. 362403

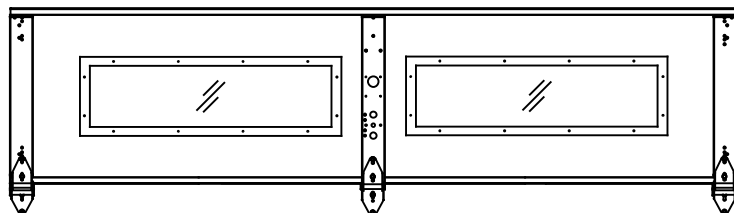
REV. B

REVISIONS
 PO NEW WINDLOAD DESIGN
 ER 31052
 ESC 6/29/18
 P1 UPDATED NOTES
 ADDED LHR DETAIL ER
 31052
 ESC 2/12/19
 REV B ADDED IRC/IBC
 NOTE
 TLC 4/12/21

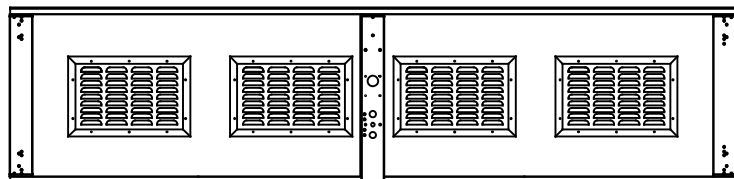
CENTER STILE & INTERMEDIATE HINGE LOCATIONS



SHORT LITE GLAZING LAYOUT



LOUVER - OPTIONAL IN BOTTOM SECTION



U-BAR LOCATIONS

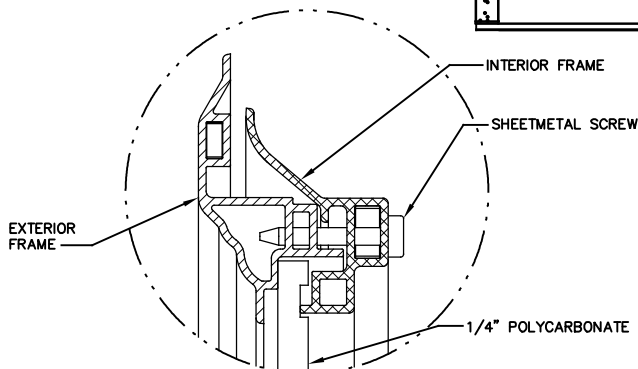
(8) SECTION DOORS WITH
(12) 3" 20 GA 80 KSI U-BARS
LOCATED AS SHOWN

(7) SECTION DOORS WITH
(11) 3" 20 GA 80 KSI U-BARS
LOCATED AS SHOWN

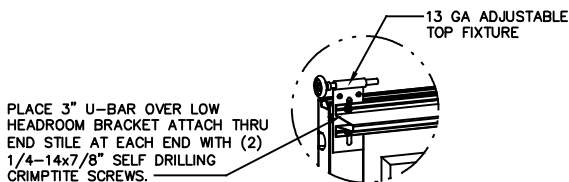
(6) SECTION DOORS WITH
(9) 3" 20 GA 80 KSI U-BARS
LOCATED AS SHOWN

(5) SECTION DOORS WITH
(8) 3" 20 GA 80 KSI U-BARS
LOCATED AS SHOWN

(4) SECTION DOORS WITH
(6) 3" 20 GA 80 KSI U-BARS
LOCATED AS SHOWN



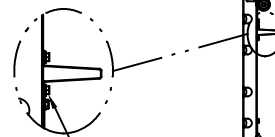
IMPACT WINDOW / ALUMINUM FRAME WITH GROOVED POLYCARBONATE (REF: NOTE 2)
DETAIL A



LOW HEADROOM TRACK
DETAIL B

PLACE 3" U-BAR OVER LOW
HEADROOM BRACKET ATTACH THRU
END STILE AT EACH END WITH (2)
1/4-14x7/8" SELF DRILLING
CRIMP TITE SCREWS.

ATTACH U-BARS WITH
(2) 1/4-14x7/8" SELF
DRILLING CRIMP TITE SCREWS
AT ALL STILE LOCATIONS, TYP.



Wayne Dalton
GARAGE DOORS

A DIVISION OF OVERHEAD DOOR CORP.
3395 ADDISON DRIVE
PENSACOLA, FLORIDA 32514
(850) 474-9890

STATIC PRESSURE RATINGS		APPROVED SIZES		SCALE: N.T.S.	SIZE: A
DESIGN (PSF):	+31.00/-35.00	MAX WIDTH:	9'-0"	DATE	NAME
TEST (PSF):	+46.50/-52.50	MAX HEIGHT:	14'-0"	DRAWN	ESC
IMPACT/CYCLIC RATED (YES/NO):	YES	MAX SECTION HEIGHT:	21"	CHECKED	TLC
MODELS 8000/8100/8200				SHEET 2 OF 2	
WINDLOAD SPECIFICATION OPTION CODE 1105				DRAWING PART NO.	REV.
				362403	B