

CLOPAY MODEL 3200 (24 GA MIN EXT SKIN)
 CLOPAY MODEL 3220 (20 GA MIN EXT SKIN)
 HOLMES MODEL 240/240G (24 GA MIN EXT SKIN)
 MAX 16'-2" WIDE X 18'-0" HIGH

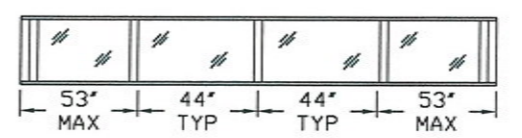
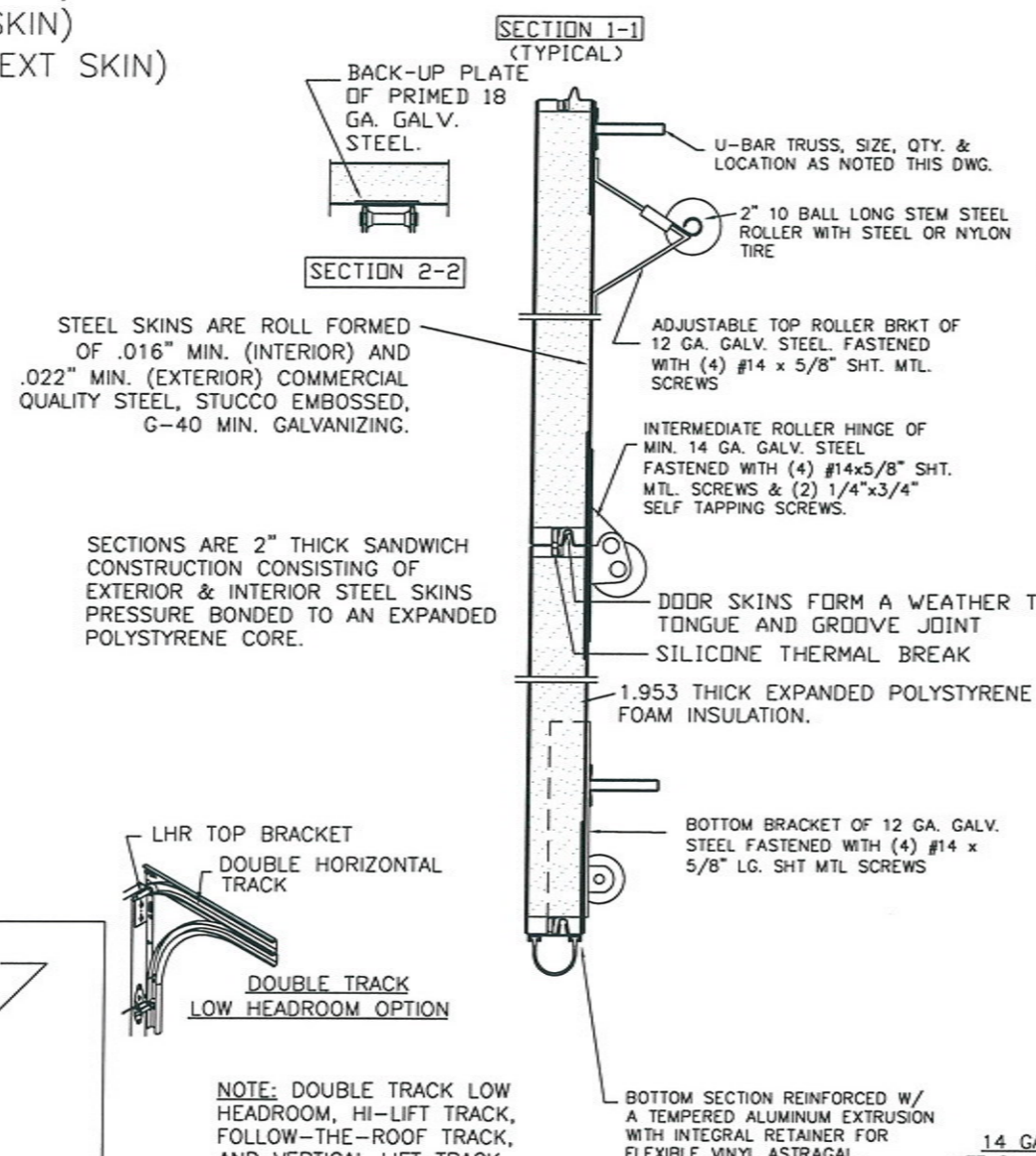
REV	DATE	DESCRIPTION
3	4/96	ADDED MODEL 3220, WELDING/JAMB OPTION
4	9/97	MOVED 12" W DDORS TO DWG #101687
05	3/2000	ADDED FULL VISION NOTE; REVISE JAMB NOTE
06	3/2000	ADD TRACK OPTIONS NOTE
07	8/24/00	ADD PUSHNUTS; OLD DESIGN LOADS +/-30 PSF
8	10/2003	UPDATED TRACK AND JAMB ATTACHMENT INFO
9	05/2005	UPDATED CODE REF., SPECIFIED OPT. ACRYLIC.
10	08/2005	ADDED M/N 240 (WAS ON D/N 102079)
11	10/2005	ADDED ROLLER OPTION
12	11/2008	UPDATED JAMB ATTACH.; ADDED MPC, 240G.
13	02/2012	UPDATED WINDOW CODE CHART
14	08/2012	REVISED FOR TOI
15	06/2013	REMOVED ACRYLIC/WIRE GLAZING; SPEC. FV DIM.
16	08/2016	REMOVED WIND SPEED TABLE.

DOOR HEIGHT 'A'	NUMBER OF SECTIONS
UP TO 8'-0"	4
8'-3" THRU 10'-0"	5
10'-3" THRU 12'-0"	6
12'-3" THRU 14'-0"	7
14'-3" THRU 16'-0"	8
16'-3" THRU 18'-0"	9

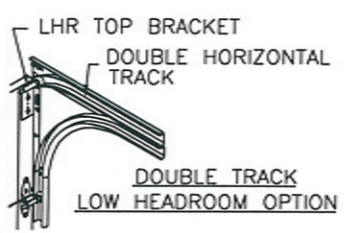
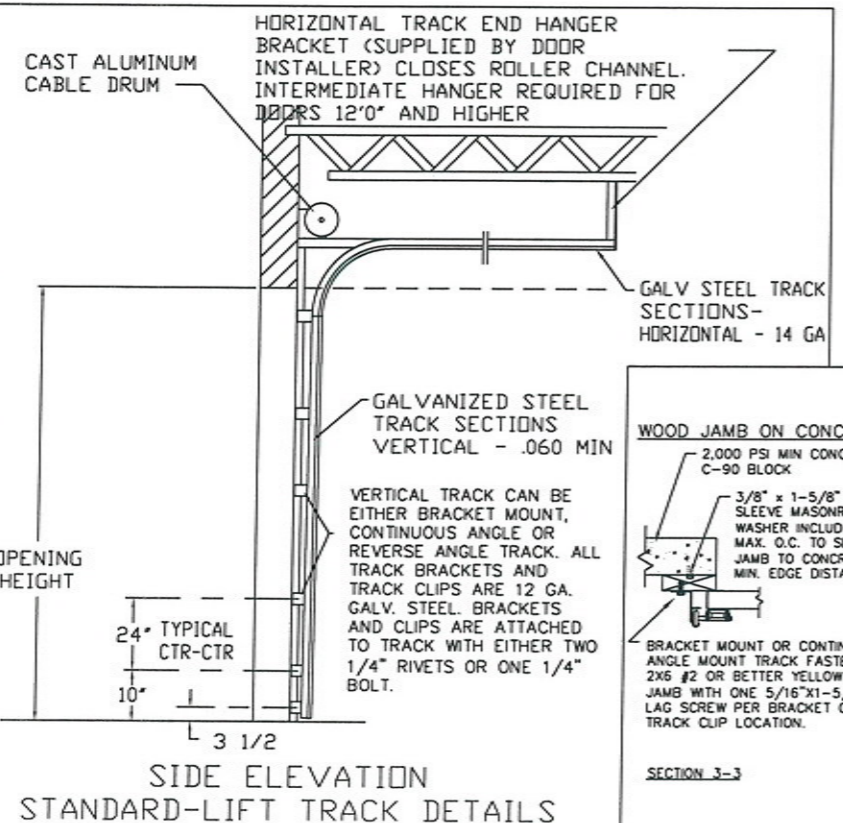
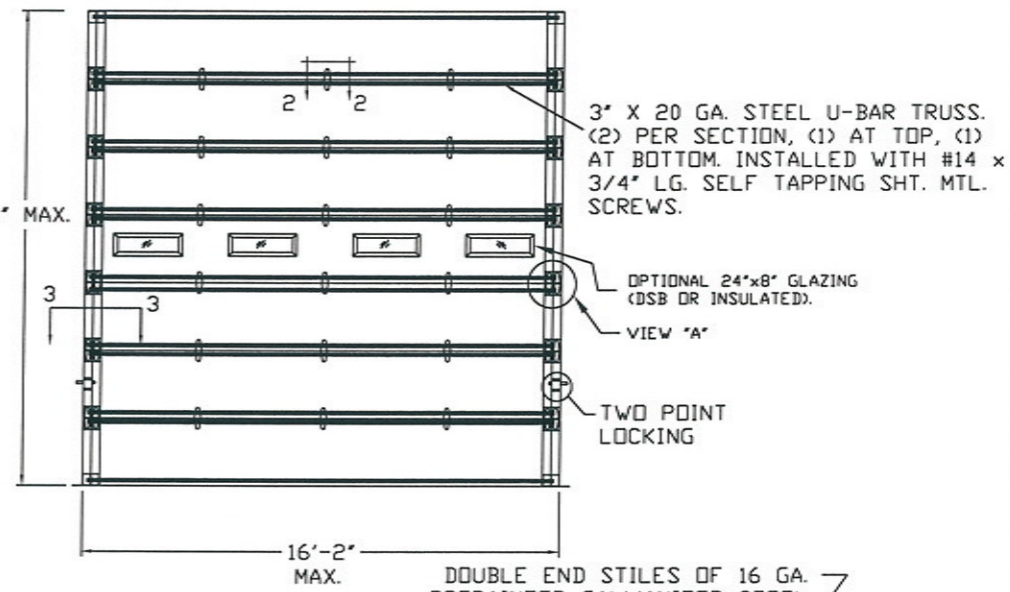
MAX. SECTION HEIGHT: 24"

THE OPTIONAL GLAZING SHOWN ON THIS DRAWING MEETS THE WIND LOAD REQUIREMENTS OF THE FLORIDA BUILDING CODE OR INTERNATIONAL BUILDING CODE BUT DOES NOT MEET THE IMPACT RESISTANT REQUIREMENT FOR WINDBORNE DEBRIS REGIONS (REF. CHAPTER 16 FBC/IBC)

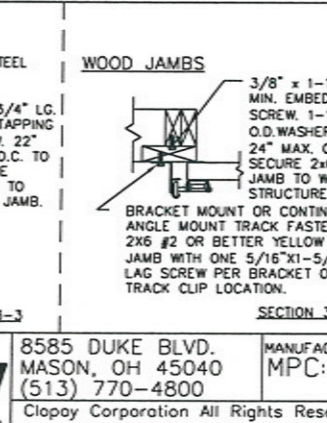
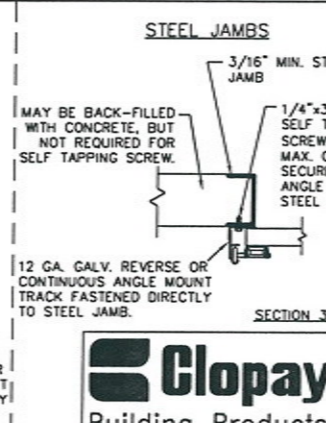
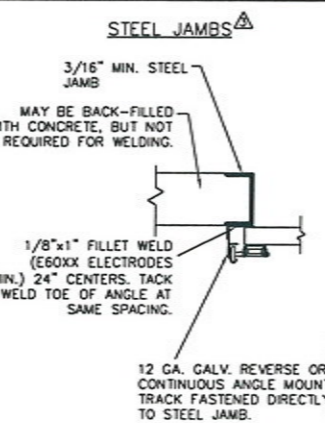
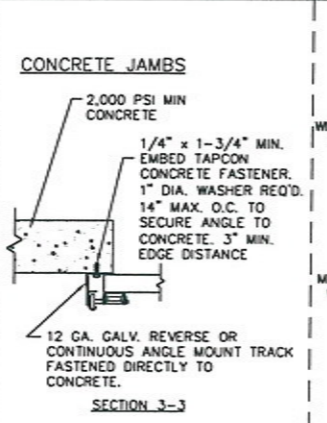
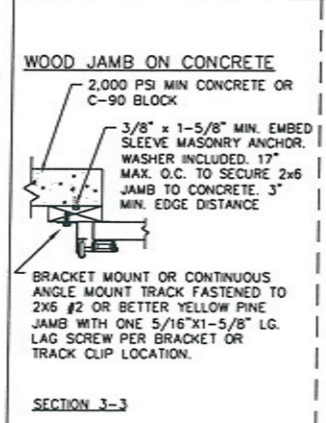
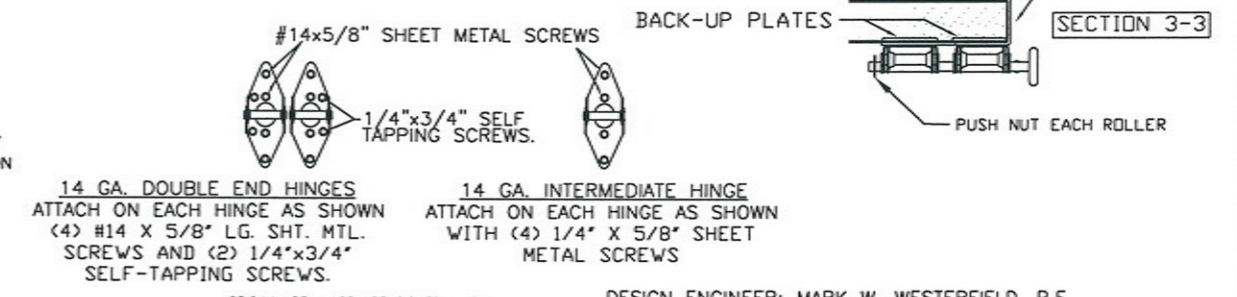
NOTE: THE DESIGN OF THE SUPPORTING STRUCTURAL ELEMENTS ARE THE RESPONSIBILITY OF THE PROFESSIONAL OF RECORD FOR THE BUILDING OR STRUCTURE AND IN ACCORDANCE WITH CURRENT BUILDING CODES FOR THE LOADS LISTED ON THIS DRAWING.



OPTIONAL ALUMINUM FULL VISION WINDOW LITE SECTIONS AVAILABLE (1/8" DSB OR 1/2" INSUL.). FULL VISION SECTIONS TO HAVE SAME REINFORCEMENT AS OTHER SECTIONS.



NOTE: DOUBLE TRACK LOW HEADROOM, HI-LIFT TRACK, FOLLOW-THE-ROOF TRACK, AND VERTICAL LIFT TRACK ARE AVAILABLE OPTIONS. 3" TRACK ALSO AVAILABLE.



DESIGN ENGINEER: MARK W. WESTERFIELD, P.E. FLORIDA P.E. #48495, NC P.E. #23832, TEXAS P.E. #91513

DESIGN LOADS: +30.0 PSF, -32.0 PSF
 TEST LOADS: +45.0 PSF, -48.0 PSF

Glopay Building Products Company
 8585 DUKE BLVD. MASON, OH 45040 (513) 770-4800
 MANUFACTURING PRODUCT CODE: MPC: C-DSIE-1F447
 WINDLOAD RATING: 91 W5
 DESCRIPTION: WIND LOAD 3200-3220
 DATE: 3-27-92
 DRAWN BY: LEG
 MANUFACTURED / PURCHASED MANUFACT.
 DRAWING NUMBER: 200040