

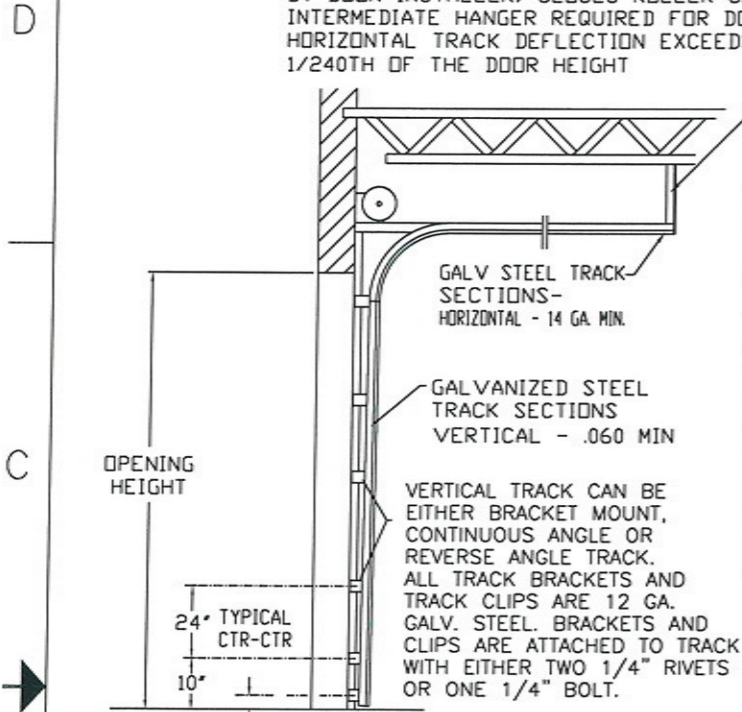
NOTE: DOUBLE TRACK LOW HEADROOM, HI-LIFT TRACK, FOLLOW-THE-ROOF TRACK, AND VERTICAL LIFT TRACK ARE AVAILABLE OPTIONS. 3" TRACK ALSO AVAILABLE.

MAX 10'-2" WIDE X 18'-0" HIGH

MODELS AVAILABLE (CLOPAY/ HOLMES/ IDEAL)
 MODELS 524, 520/ 224/ C4ST, COST
 INSULATED MODELS 524S, 520S, 524V/ 224S/ C4SS, COSS, C4SV

REVISIONS					
REV. NO.	ZONE:	DATE:	ECN NO.	APPVD:	DESCRIPTION
09	-	10/2005	-	-	ADDED ROLLER OPTION
10	-	11/2008	-	-	ADDED MPC; UPDATED JAMB ATTACHMENT.
11	-	02/2012	-	-	UPDATED WINDCODE CHART
12	-	08/2012	-	-	REVISED FOR TDI
13	-	06/2013	-	-	REMOVED ACRYLIC/WIRE GLAZING. SPECIFIED GLAZING DIMENSIONS.
14	-	08/2016	-	-	REMOVED WIND SPEED TABLE.

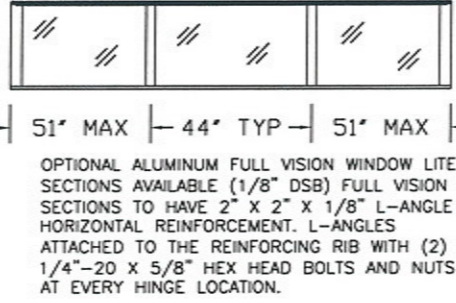
HORIZONTAL TRACK END HANGER BRACKET (SUPPLIED BY DOOR INSTALLER) CLOSES ROLLER CHANNEL. INTERMEDIATE HANGER REQUIRED FOR DOORS IF HORIZONTAL TRACK DEFLECTION EXCEEDS 1/240TH OF THE DOOR HEIGHT



DOOR WIDTH	NUMBER OF CENTER STILES
UP TO 9'-2"	1
9'-3" THRU 10'-2"	2

DOOR HEIGHT 'A'	NUMBER OF SECTIONS
UP TO 8'-0"	4
8'-3" THRU 10'-0"	5
10'-3" THRU 12'-0"	6
12'-3" THRU 14'-0"	7
14'-3" THRU 16'-0"	8
16'-3" THRU 18'-0"	9

MAX. SECTION HEIGHT: 24"

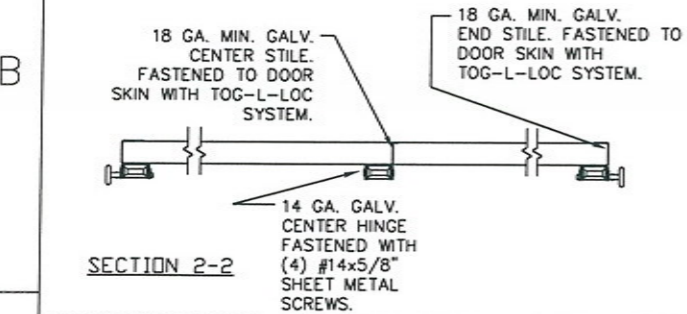


THE OPTIONAL GLAZING SHOWN ON THIS DRAWING MEETS THE WIND LOAD REQUIREMENTS OF THE FLORIDA BUILDING CODE OR INTERNATIONAL BUILDING CODE BUT DOES NOT MEET THE IMPACT RESISTANT REQUIREMENT FOR WINDBORNE DEBRIS REGIONS (REF. CHAPTER 16 FBC/IBC)

SECTIONS ARE 1-7/8" THK PANELS ROLL FORMED OF .022" MIN. HOT DIPPED GALVANIZING, ROLL FORMED STEEL.

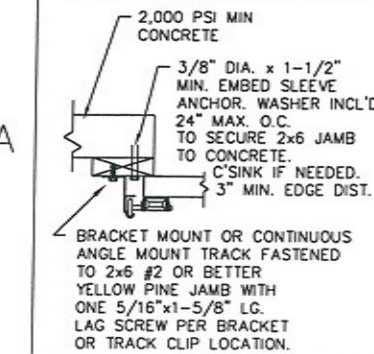
ADJUSTABLE TOP ROLLER BRACKET OF 12 GA. GALV. STEEL, INSTALLED ON DOOR WITH (4) #14 X 5/8" LG SHEET METAL SCREWS

SIDE ELEVATION STANDARD-LIFT TRACK DETAILS

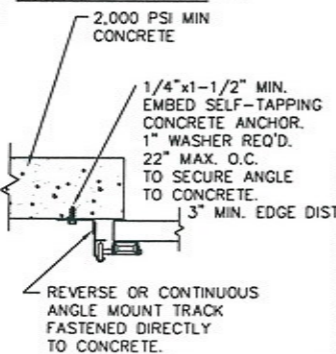


ANCHOR NOTE: FIRST (BOTTOM) ANCHOR STARTING AT NO MORE THAN HALF OF THE MAXIMUM ON-CENTER DISTANCE. HIGHEST ANCHOR INSTALLED AT LEAST AS HIGH AS THE DOOR OPENING.

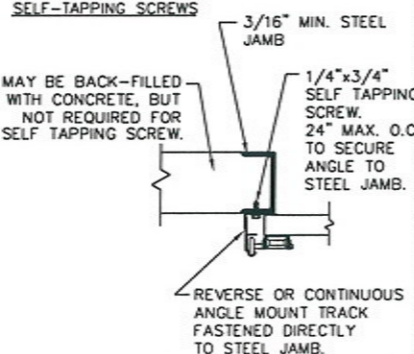
WOOD JAMB ON CONCRETE



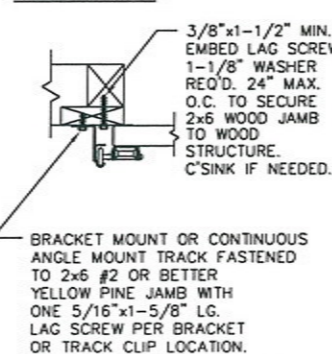
CONCRETE JAMBS



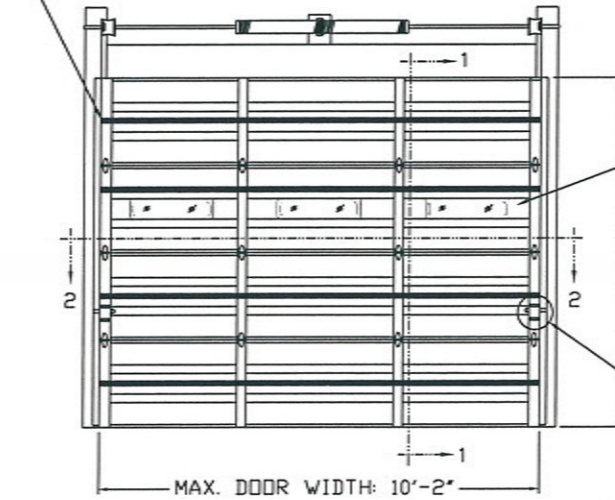
STEEL JAMBS



WOOD JAMBS



3" x 20 GA. GALV. STEEL U-BAR. ONE U-BAR PER DOOR SECTION U-BARS ATTACHED AT EACH STILE LOCATION WITH (2) 1/4" x 3/4" SELF-TAPPING SCREWS



OPTIONAL INSULATION (SEE MODEL EXPLANATION)

OPTIONAL 24" x 6" POLYPROPYLENE SCREW TOGETHER FRAME TYPE DSB WINDOW LITES AVAILABLE.

TWO POINT LOCKING REQ'D

BOTTOM SECTION REINFORCED WITH TEMPERED ALUMINUM EXTRUSION WITH INTEGRAL RETAINER FOR FLEXIBLE VINYL ASTRAGAL

END ROLLER HINGES OF MIN. 14 GA. GALV. STEEL, FASTENED WITH (4) #14 X 5/8" LG. SHT. MTL. SCREWS AND (4) 1/4"x3/4" SELF-TAPPING SCREWS.

2" 10 BALL SHORT SIEM STEEL ROLLER WITH STEEL OR NYLON TIRE

BOTTOM ROLLER BRACKET OF 13 GA. GALV. STEEL, FASTENED WITH (4) #14 X 5/8" LG. SHT. MTL. SCREWS

DESIGN LOADS: +30 & -30 P.S.F.
 TEST LOADS +45 & -45 P.S.F.

THE DESIGN OF THE SUPPORTING STRUCTURAL ELEMENTS IS THE RESPONSIBILITY OF THE BUILDING ENGINEER OR ARCHITECT OF RECORD.

MARK WESTERFIELD, P.E.
 FLORIDA P.E. #48495, NC P.E. #23832, TEXAS P.E. #91513

CLOPAY CORP.
 ALL RIGHTS RESERVED.

Third Angle Projection

Unless Stated Otherwise TOLERANCES are
 .0 = ±.031
 .00 = ±.015
 .000 = ±.005
 .0000 = ±.001
 Degrees = ± 1/2'

Unless Stated Otherwise DIMENSIONS ARE IN INCHES.

Clopay
 Building Products Company
 8585 Duke Boulevard
 Mason, OH 45040 USA
 Tel. No. 513-770-4800
 Fax No. 513-770-4853

MANUFACTURING PRODUCT CODE:
 MPC: C-PAN-1E448

WINDLOAD RATING
 W5

DESCRIPTION: COMMERCIAL RIBBED DOOR, +/- 30 PSF DESIGN LOAD

DRAWN BY: RJK DATE: 4/19/99 SCALE: NOTED DWG. B

CHECKED BY: MWW DATE: 4/99 SHEET 1 OF 1 SIZE B

DWG. NO.: 101875

