

NOTES:

1. VINYL OR WOOD DOOR STOP NAILED A MAXIMUM OF 6" O.C. MUST OVERLAP TOP AND BOTH ENDS OF PANELS MINIMUM 7/16" TO MEET NEGATIVE PRESSURES.

2. SLIDE LOCK OR OPERATOR REQUIRED. LOW HEADROOM REQUIRES A LOCK ON THE LEFT AND RIGHT SIDE OF THE DOOR.

3. THE DESIGN OF THE SUPPORTING STRUCTURAL ELEMENTS SHALL BE THE RESPONSIBILITY OF THE PROFESSIONAL OF RECORD FOR THE BUILDING OR STRUCTURE AND IN ACCORDANCE WITH CURRENT BUILDING CODES FOR THE LOADS LISTED ON THIS DRAWING.

4. SECTION STEEL TO HAVE THE FOLLOWING MINIMUM THICKNESS:
EXTERIOR - 27 GA
INTERIOR - 30 GA

5. DOOR JAMB TO BE MINIMUM 2x6 STRUCTURAL GRADE LUMBER AND BE SPRUCE, PINE, OR FIR. REFER TO JAMB CONNECTION SUPPLEMENT FOR ATTACHMENT TO SUPPORTING STRUCTURE.

6. FOR LOW HEAD ROOM LIFT CONDITIONS, TOP BRACKET SHALL BE A LHR TOP BRACKET IN LIEU OF THE BRACKET SHOWN ON THIS DRAWING. SEE LHR, DETAIL A, SHEET 2.

7. 11 GA ROLLER SLIDES WITH WELDED ENDS AND 11 GA REINFORCING BRACKETS REQUIRED FOR DOORS > 8' TALL.

- 13 GA HORIZ ANGLE
- 13 GA FLAG ANGLE
- 5/16x1-5/8" LAG SCREWS (MIN 3 AS SHOWN)
- 16 GA MIN VERT TRACK
- 5/16x1-5/8" LAG SCREW AT EACH JAMB BRACKET
- 1/4-20x9/16" TRACK BOLT AND 1/4-20 HEX NUT AT EACH JAMB BRACKET
- SECURE LOCK STRIKER PLATE ATTACHED TO TRACK WITH (2) 1/4-20x9/16" TRACK BOLTS AND NUTS (ONLY REQUIRED WITH SLIDE LOCK)
- SLIDE LOCK (NOT REQUIRED WITH OPERATOR - SEE NOTE 2)
- 15 GA JB-1 JAMB BRACKETS. SEE SCHEDULE FOR QUANTITY AND LOCATION.

NOTE: (3) SECTION DOOR SHOWN. SEE SHEET 2 FOR U-BAR LOCATIONS ON DOORS WITH OTHER SECTION QUANTITIES.

JAMB BRACKET SCHEDULE				
DOOR HEIGHT	NO. OF SECTIONS	NO. OF JAMB BRACKETS (EACH JAMB)	TRACK TYPE	LOCATION OF CENTERLINE OF JAMB BRACKETS MEASURED FROM BOTTOM OF TRACK (ALL DIMENSIONS ± 2")
7'-0"	3	2	FAT	10" (JB), 48" (JB)
8'-0"	4	3	FAT	10" (JB), 48" (JB), 66" (JB)
> 8'-0"				SEE NOTE BELOW

NOTE:

(JB) FOLLOWING DIMENSION DENOTES SLOTTED JAMB BRACKET ATTACHED TO TRACK WITH 1/4-20x9/16" TRACK BOLT AND NUT. ALL DOORS GREATER THAN 8' IN HEIGHT REQUIRE USE OF CONTINUOUS WALL ANGLE. SEE SUPPLEMENT TRACK CHART FOR DETAILS.

SUPERIMPOSED DESIGN PRESSURE LOADS ON SUPPORTING STRUCTURE

DOOR WIDTH	DOOR HEIGHT	UNIFORM LOAD EACH JAMB (PLF)
9'-0"	ALL	+103.1/-118.4
8'-0"	ALL	+91.6/-105.2

PROFESSIONAL ENGINEER'S SEAL PROVIDED ONLY FOR VERIFICATION OF WINDLOAD CONSTRUCTION DETAILS.

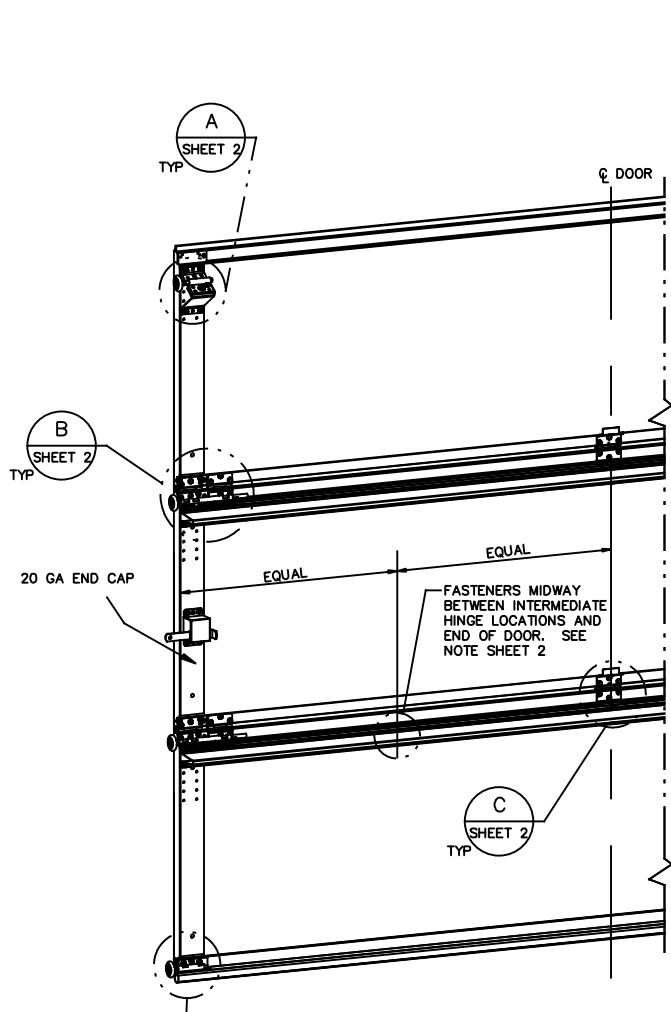
The Genuine. The Original.



Lewisville, TX

12 GA BOTTOM BRACKET FACTORY ATTACHED WITH (3) 1/4-14x5/8" CRIMPITITE SCREWS

2" STEEL ROLLER WITH 4" STEM



This door has been tested per ANSI/DASMA 108

REVISIONS
P00 CREATED NEW DRAWING FOR WINDLOAD 8-23-16 GAC

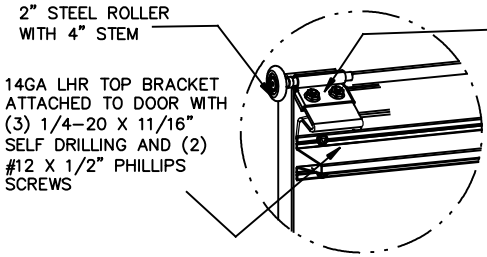
JOHN E. SCATES, PE
3121 FAIRGATE DR.
CARROLLTON, TX 75007
FL PE 51737 TX PE 56308/F-2203

STATIC PRESSURE RATINGS		APPROVED SIZES		SCALE: N.T.S.		SIZE: A	
DESIGN (PSF):	+22.90/-26.30	MAX WIDTH:	9'-0"	DATE		NAME	
IMPACT/CYCLIC RATED (YES/NO): NO		MAX HEIGHT:	14'-0"	DRAWN	8-23-16	GAC	
		MAX SECTION HEIGHT:	28"	CHECKED	8-23-16	DK	
MODELS 300-309/5800				SHEET 1 OF 2			
WINDLOAD SPECIFICATION				DRAWING PART NO.	411417	REV.	P00

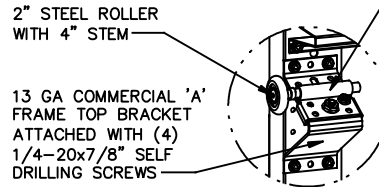
LOW HEADROOM TRACK

STANDARD LIFT TRACK

U-BAR LOCATIONS
 (7) SECTION DOORS WITH (6) 3" 20 GA 80 KSI U-BARS LOCATED AS SHOWN (TOP BRACKET REMOVED FOR CLARITY)



13 GA ROLLER SLIDE ATTACHED TO BRACKET WITH 5/16-18 BOLT & NUT IN CENTER SLOT AND 1/4-20x9/16" TRACK BOLT & NUT THROUGH ANY TWO ALIGNING HOLES



13 GA ROLLER SLIDE ATTACHED TO BRACKET WITH 5/16-18 BOLT & NUT IN CENTER SLOT AND 1/4-20x9/16" TRACK BOLT & NUT THROUGH ANY TWO ALIGNING HOLES

DETAIL A

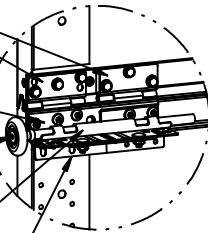
(2) 15 GA HINGE LEAFS ATTACHED WITH (3) 1/4-14x5/8" CRIMPTITE SCREWS EACH

14 GA HINGE BASE FACTORY ATTACHED TO DOOR WITH (5) 1/4-14x5/8" CRIMPTITE SCREWS

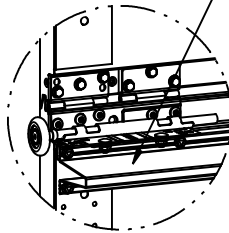
2" STEEL ROLLER WITH 9" STEM

13 GA ROLLER CARRIERS FACTORY ATTACHED TO HINGE BASE AND REINFORCING BRACKET. (EXCEPTION: NOTE #7)

13 GA REINFORCING BRACKET ATTACHED BENEATH HINGE BASE. (EXCEPTION: NOTE #7)



BEFORE U-BAR INSTALLATION

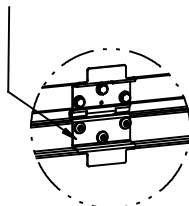


AFTER U-BAR INSTALLATION

DETAIL B

POSITION U-BAR OVER REINFORCING BRACKET AND ATTACH WITH (3) 1/4-20x7/8" SELF DRILLING SCREWS AS SHOWN (2 OF WHICH ATTACH THROUGH REINFORCING BRACKET)

15 GA HINGE ATTACHED WITH (6) 1/4-14x5/8" CRIMPTITE SCREWS (3 OF WHICH ARE FACTORY ATTACHED)



BEFORE U-BAR INSTALLATION



AFTER U-BAR INSTALLATION

DETAIL C

POSITION U-BAR OVER HINGE LEAF AND ATTACH WITH (1) 1/4-14x5/8" CRIMPTITE SCREW AND (1) 1/4-20x7/8" SELF DRILLING SCREW AS SHOWN (SELF DRILLING SCREW ATTACHES THROUGH HINGE LEAF)

UNLESS NOTED OTHERWISE, ALL U-BARS SHALL BE ATTACHED WITH A MINIMUM OF (2) FASTENERS AT EACH END, AT ALL INTERMEDIATE HINGE LOCATIONS (OR IN LINE WITH INTERMEDIATE HINGE LOCATIONS IF U-BAR IS NOT LOCATED AT A HINGE), AND MIDWAY BETWEEN INTERMEDIATE HINGE LOCATIONS (MINIMUM OF (10) FASTENERS EACH U-BAR). ALL FASTENERS USED TO ATTACH U-BARS SHALL BE 1/4-14x5/8" CRIMPTITE SCREWS EXCEPT 1/4-20x7/8" SELF DRILLING SCREWS SHALL BE USED AT END CAPS AND WHERE FASTENING THROUGH HINGE LEAFS OR BRACKETS.



(3) SECTION DOORS WITH (2) 3" 20 GA 80 KSI U-BARS LOCATED AS SHOWN (TOP BRACKET REMOVED FOR CLARITY)

(4) SECTION DOORS WITH (3) 3" 20 GA 80 KSI U-BARS LOCATED AS SHOWN (TOP BRACKET REMOVED FOR CLARITY)

(5) SECTION DOORS WITH (4) 3" 20 GA 80 KSI U-BARS LOCATED AS SHOWN (TOP BRACKET REMOVED FOR CLARITY)

(6) SECTION DOORS WITH (5) 3" 20 GA 80 KSI U-BARS LOCATED AS SHOWN (TOP BRACKET REMOVED FOR CLARITY)

(7) SECTION DOORS WITH (6) 3" 20 GA 80 KSI U-BARS LOCATED AS SHOWN (TOP BRACKET REMOVED FOR CLARITY)

REVISIONS

The Genuine. The Original.



Lewisville, TX

STATIC PRESSURE RATINGS	APPROVED SIZES	SCALE: N.T.S.	SIZE: A
DESIGN (PSF): +22.90/-26.30	MAX WIDTH: 9'-0"	DATE	NAME
IMPACT/CYCLIC RATED (YES/NO): NO	MAX HEIGHT: 14'-0"	DRAWN	8-23-16 GAC
	MAX SECTION HEIGHT: 28"	CHECKED	8-23-16 DK
MODELS 300-309/5800		SHEET 2 OF 2	
WINDLOAD SPECIFICATION		DRAWING PART NO.	REV.
		411417	P00

JOHN E. SCATES, PE
 3121 FAIRGATE DR.
 CARROLLTON, TX 75007
 FL. PE 51737 TX. PE 56308/F-2203

PROFESSIONAL ENGINEER'S SEAL PROVIDED ONLY FOR VERIFICATION OF WINDLOAD CONSTRUCTION DETAILS.