

BRAND	EMBOSS TYPE		
	SHORT	LONG	FLUSH
CLOPAY	9200, HDP20	9203, HDPL20	9201, HDPF20
IDEAL	8200	8203	8201
HOLMES	7200	7203	7201

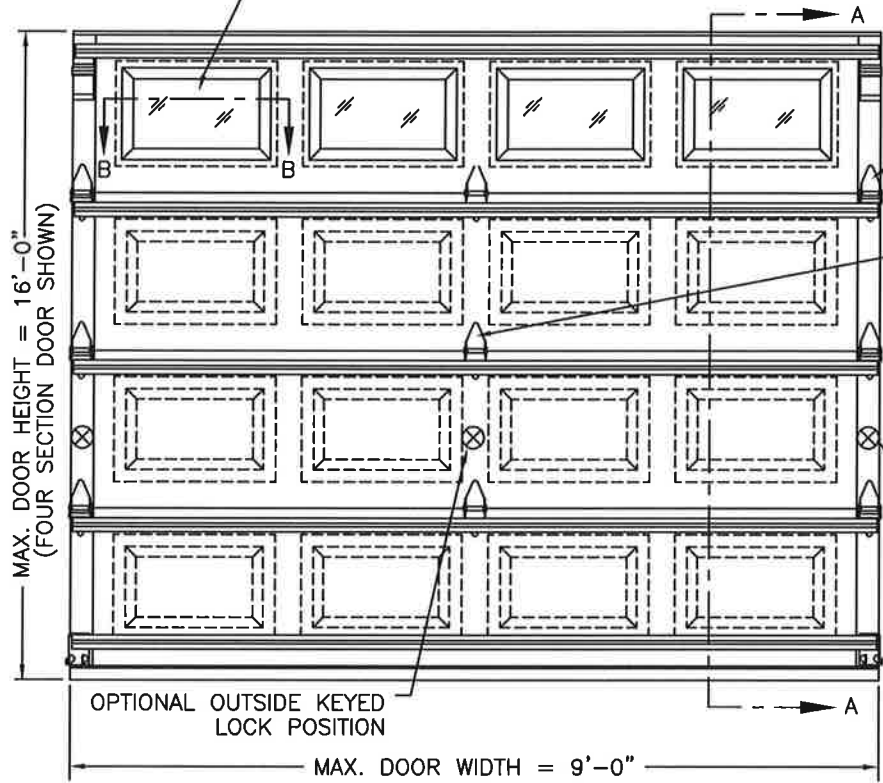
SHEET:  
1 OF 4

REVISIONS					
REV. NO.	ZONE:	DATE:	ECN NO.	APPVD:	DESCRIPTION
02	-	7/22/14	-	SH	REVISED FOR TDI.
03	-	2/28/20	EN2736	SH	REVISED MAX WINDOW SIZE AND TITLE BLOCK
04	-	9/28/20	-	SH	ADDED IBC/IRC COMPLIANCE STATEMENT
05	-	6/9/22	-	MWW	ROLLER STEM LENGTH IS 4-1/2" NOT 7-1/2" (P. 4)

THIS PRODUCT COMPLIES WITH THE 2018 IBC/IRC

OPTIONAL IMPACT RESISTANT GLAZING.  
SEE SECTION B-B FOR DETAILS.  
MAX. IMPACT RESISTANT GLAZING IS  
19-1/2"x12".

DOOR HEIGHT	# OF SECTIONS	# OF U-BARS
UP TO 7'0"	4	5
7'3" TO 8'9"	5	6
9'0" TO 10'6"	6	7
10'9" TO 12'3"	7	8
12'6" TO 14'0"	8	9
14'3" TO 15'9"	9	10
16'0"	10	11
MAX SECTION HEIGHT: 21'		

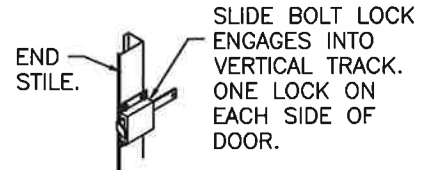


SHORT PANEL SHOWN

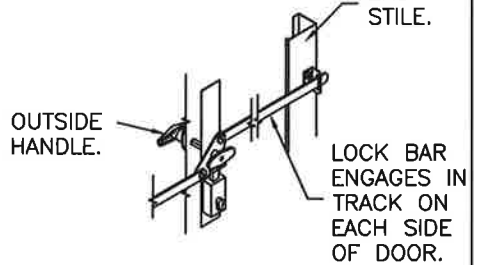
SEE END HINGE VIEW B.

SEE INTERMED. HINGE VIEW C.

TWO POINT LOCKING INTO TRACK

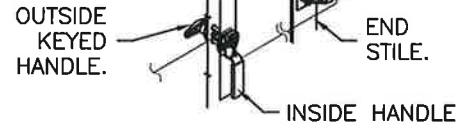


INSIDE SLIDE BOLT LOCK OPTION.



OUTSIDE KEYED LOCK WITH LOCK BAR LOCKING.

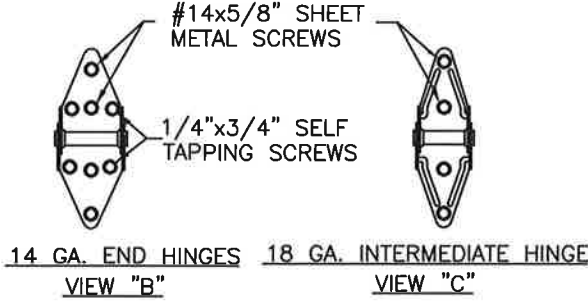
SNAP LATCH ENGAGES ONTO VERTICAL TRACK. ONE SNAP LATCH ON EACH SIDE OF DOOR.



OUTSIDE KEYED LOCK WITH SNAP LATCH LOCK OPTION.

#14x5/8" SHEET METAL SCREWS

1/4"x3/4" SELF TAPPING SCREWS



DESIGN LOADS: +38.0 P.S.F. & -44.0 P.S.F.  
TEST LOADS: +57.0 P.S.F. & -66.0 P.S.F.

Unless Stated Otherwise TOLERANCES are  
.0 = ±.031  
.00 = ±.015  
.000 = ±.005  
.0000 = ±.001  
Degrees = ±1/2"

Unless Stated Otherwise DIMENSIONS ARE IN INCHES.

**Clopay** CORPORATION  
8585 Duke Boulevard  
Mason, OH 45040 USA  
Tel. No. 513-770-4800  
Fax No. 513-770-4853

MANUFACTURING PRODUCT CODE  
DSIU-1F171

PART NO.: N/A

WINDLOAD RATING  
**W6 DP38**

DESCRIPTION: CLASSIC 2" INTELICORE SINGLE CAR +38/-44 PSF

DRAWN BY: SH DATE: 5/25/09 SCALE: NTS DWG. B

CHECKED BY: -- DATE: -- SHEET 1 OF 4 SIZE B

DWG. NO.: 104184 VER: TDI



DESIGN ENGINEER:  
MARK WESTERFIELD, P.E.  
FLORIDA P.E. #48495, NC P.E. #23832, TEXAS P.E. #91513

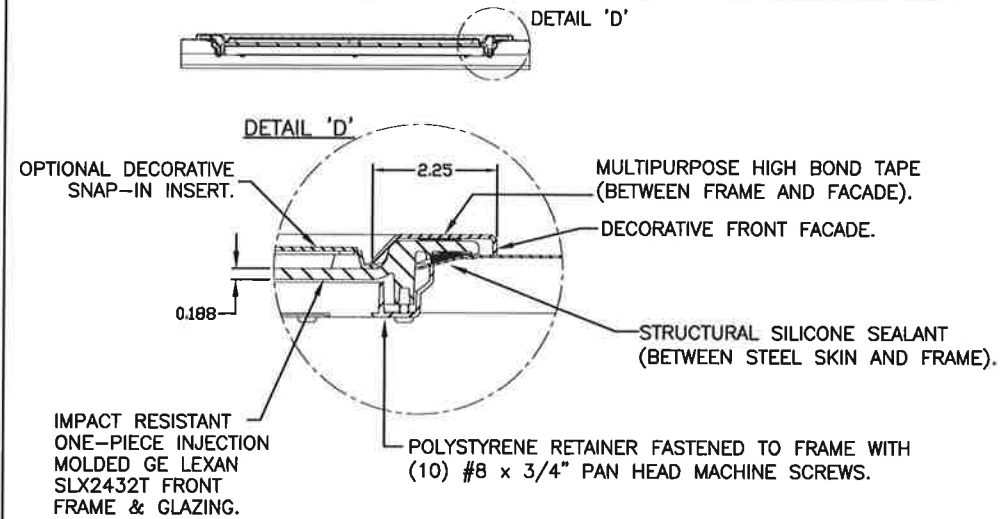
BRAND	EMBOSS TYPE		
	SHORT	LONG	FLUSH
CLOPAY	9200, HDP20	9203, HDPL20	9201, HDPF20
IDEAL	8200	8203	8201
HOLMES	7200	7203	7201

SHEET:  
2 OF 4

REVISIONS					
REV. NO.	ZONE	DATE	ECN NO.	APPVD:	DESCRIPTION
05	-	-	-	MWW	SEE REVISION HISTORY ON SHEET ONE.

**IMPACT-RESISTANT CONSTRUCTION:**  
 SOLID DOORS (NO GLAZING) OR DOORS WITH OPTIONAL IMPACT-RESISTANT GLAZING ARE IMPACT-RESISTANT. OPTIONAL MAX WINDOW SIZE 19-1/2"x12" IMPACT RESISTANT ASSEMBLY CONSISTS OF ALUMINUM FRONT FRAME AND GE LEXAN MR10, AN APPROVED CC1 PLASTIC IN ACCORDANCE WITH IBC 2606. THE ENTIRE DOOR ASSEMBLY INSTALLED IN COMPLIANCE WITH THIS SECTION MEETS THE WIND LOAD REQUIREMENTS OF INTERNATIONAL BUILDING CODE AND IS LARGE- AND SMALL-MISSILE IMPACT RESISTANT.

**SECTION B-B (IMPACT-RESISTANT GLAZING OPTION)**



DESIGN ENGINEER:  
 MARK WESTERFIELD, P.E.  
 FLORIDA P.E. #48495, NC P.E. #23832, TEXAS P.E. #91513

DESIGN LOADS: +38.0 P.S.F. & -44.0 P.S.F.  
 TEST LOADS: +57.0 P.S.F. & -66.0 P.S.F.

Unless Stated Otherwise  
 TOLERANCES are  
 .0 = ±.031  
 .00 = ±.015  
 .000 = ±.005  
 .0000 = ±.001  
 Degrees = ±1/2'  
 Unless Stated Otherwise  
 DIMENSIONS ARE IN INCHES.

**Glopay** CORPORATION  
 8585 Duke Boulevard  
 Mason, OH 45040 USA  
 Tel. No. 513-770-4800  
 Fax No. 513-770-4853

MANUFACTURING PRODUCT CODE  
 DSIU-1F171

PART NO.: N/A

WINDLOAD RATING  
**W6 DP38**

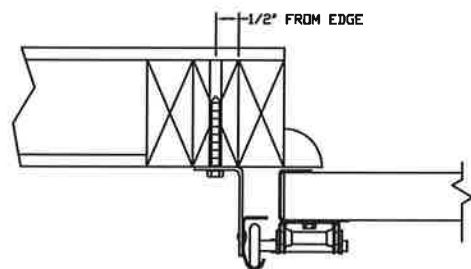
DESCRIPTION: CLASSIC 2" INTELLICORE SINGLE CAR +38/-44 PSF  
 DRAWN BY: SH DATE: 5/25/09 SCALE: NTS DWG. SIZE B  
 CHECKED BY: --- DATE: --- SHEET 2 OF 4  
 DWG. NO.: 104184 VER: TDI

BRAND	EMBOSS TYPE		
	SHORT	LONG	FLUSH
CLOPAY	9200, HDP20	9203, HDPL20	9201, HDPF20
IDEAL	8200	8203	8201
HOLMES	7200	7203	7201

SHEET:	REVISIONS					
	REV. NO.	ZONE:	DATE:	ECN NO.	APPVD:	DESCRIPTION
3 OF 4	05	-	--	-	MWW	SEE REVISION HISTORY ON SHEET ONE.

IN THE CASE OF GYPSUM WALLBOARD LOCATED AT OR NEAR THE DOOR OPENING LOCATION THERE ARE TWO ACCEPTABLE ALTERNATIVES:

- 1) THE WALLBOARD CAN BE CUT AWAY FROM THE DOOR OPENING AND 2X6 SOUTHERN YELLOW PINE WOOD JAMBS MOUNTED DIRECTLY TO THE SUPPORTING STRUCTURE TO CREATE THE MOUNTING SURFACE. ALTERNATIVELY, THE BRACKETS MAY BE ATTACHED DIRECTLY TO THE SUPPORTING STRUCTURE. SEE DETAIL BELOW. THE CENTER OF SCREW HOLE MUST BE AT LEAST 1/2" FROM BOTH EDGES FOR A 5/16" LAG SCREW.
- 2) IF THE WALLBOARD IS NOT CUT AWAY TO EXPOSE THE UNDERLYING STRUCTURE (WOOD FRAMING MEMBERS), A 2X6 SOUTHERN YELLOW PINE WOOD BUCK OVER SHALL BE INSTALLED THE WALLBOARD FRAMING THE OPENING USING THE JAMB ATTACHMENT FASTENERS LISTED BELOW. HOWEVER, THE JAMB ATTACHMENT FASTENERS MUST BE OF A SUFFICIENT INCREASED LENGTH TO ACCOUNT FOR THE THICKNESS OF THE WALLBOARD TO ENSURE PROPER FASTENER EMBEDMENT INTO THE STRUCTURAL FRAMING MEMBERS OF THE SUPPORTING STRUCTURE.



PREPARATION OF JAMBS BY OTHERS.

VERTICAL JAMB ATTACHMENT (WOOD FRAME BUILDINGS):

3/8"x3" LAG SCREWS ON 24" CENTERS. 1-1/8" O.D. WASHER REQUIRED. LAG SCREWS MAY BE COUNTERSUNK (BUT NOT REQUIRED) TO PROVIDE A FLUSH MOUNTING SURFACE. HORIZONTAL JAMBS DO NOT TRANSFER LOAD.

VERTICAL JAMB ATTACHMENT (C-90 BLOCK OR 2,000 PSI MIN. CONCRETE COLUMN):

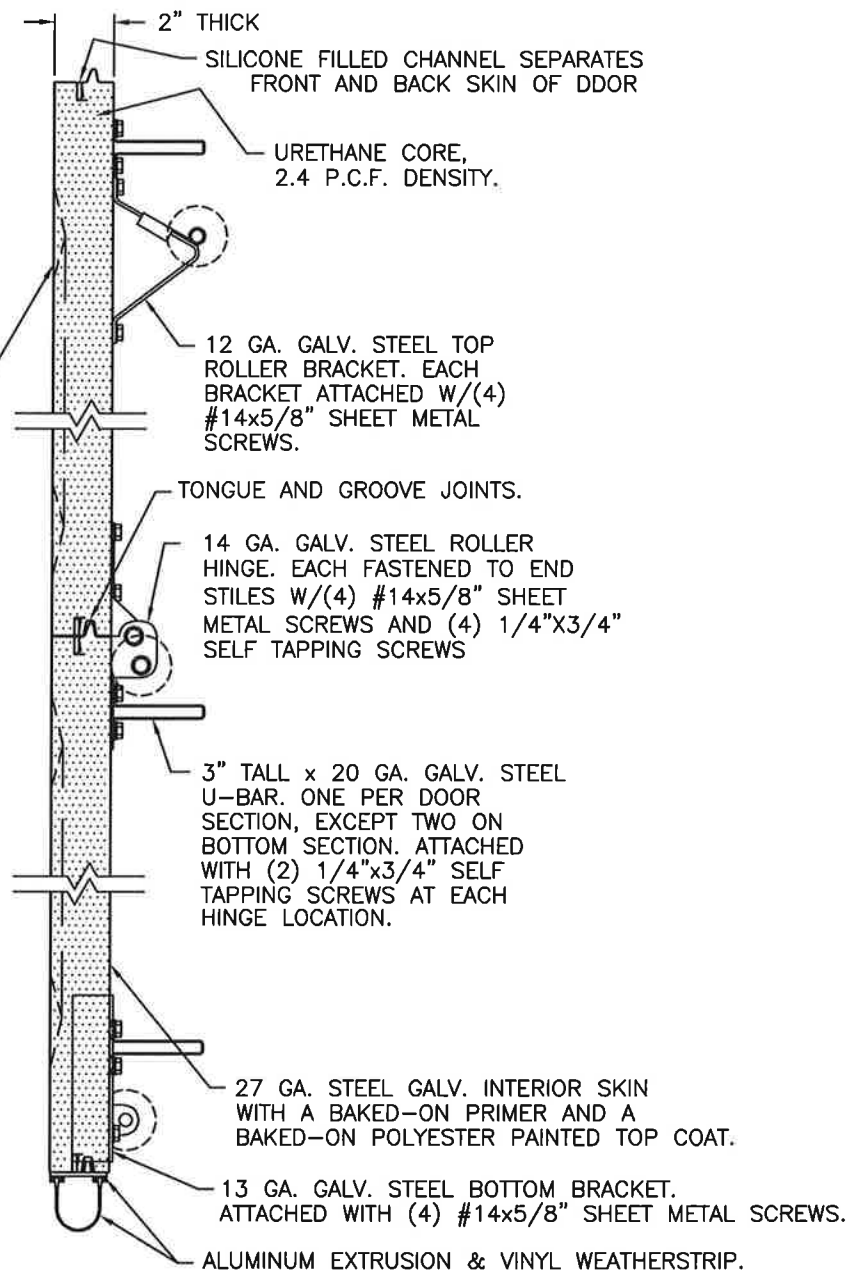
3/8"x3" SLEEVE ANCHOR BOLTS ON 22" CENTERS (2,000 PSI MIN. CONCRETE). WASHERS INCLUDED WITH SLEEVE ANCHORS.

OR  
1/4"x3" TAPCON SCREWS ON 19" CENTERS (2,000 PSI MIN. CONCRETE) OR 10" CENTERS (C-90 BLOCK), 1" O.D. WASHERS REQUIRED WITH TAPCONS. ANCHORS MAY BE COUNTERSUNK (BUT NOT REQUIRED) TO PROVIDE A FLUSH MOUNTING SURFACE. HORIZONTAL JAMBS DO NOT TRANSFER LOAD.

OTHER JAMB CONFIGURATIONS: REFER TO DASMA TDS-161. A LICENSED DESIGN PROFESSIONAL MAY ALSO BE EMPLOYED TO APPROVE ALTERNATE FASTENERS AND/OR JAMB CONFIGURATIONS.

DESIGN ENGINEER:  
MARK WESTERFIELD, P.E.  
FLORIDA P.E. #48495, NC P.E. #23832, TEXAS P.E. #91513

27 GA. MIN. STEEL GALV. EXTERIOR SKIN WITH BAKED-ON PRIMER AND A BAKED-ON POLYESTER PAINTED TOP COAT.



SECTION A-A (SIDE VIEW)

DESIGN LOADS: +38.0 P.S.F. & -44.0 P.S.F.  
TEST LOADS: +57.0 P.S.F. & -66.0 P.S.F.

Unless Stated Otherwise  
TOLERANCES are  
.0 = ±.031  
.00 = ±.015  
.000 = ±.005  
.0000 = ±.001  
Degrees = ±1/2°

Unless Stated Otherwise  
DIMENSIONS ARE IN INCHES.

**Clopay** CORPORATION  
8585 Duke Boulevard  
Mason, OH 45040 USA  
Tel. No. 513-770-4800  
Fax No. 513-770-4853

DESCRIPTION: CLASSIC 2" INTELICORE SINGLE CAR +38/-44 PSF

DRAWN BY: SH DATE: 5/25/09 SCALE: NTS DWG. B

CHECKED BY: -- DATE: -- SHEET 3 OF 4 SIZE B

DWG. NO.: 104184 VER: TDI

MANUFACTURING PRODUCT CODE  
DSIU-1F171

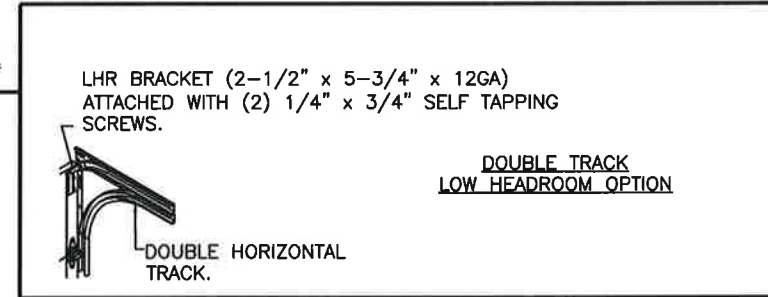
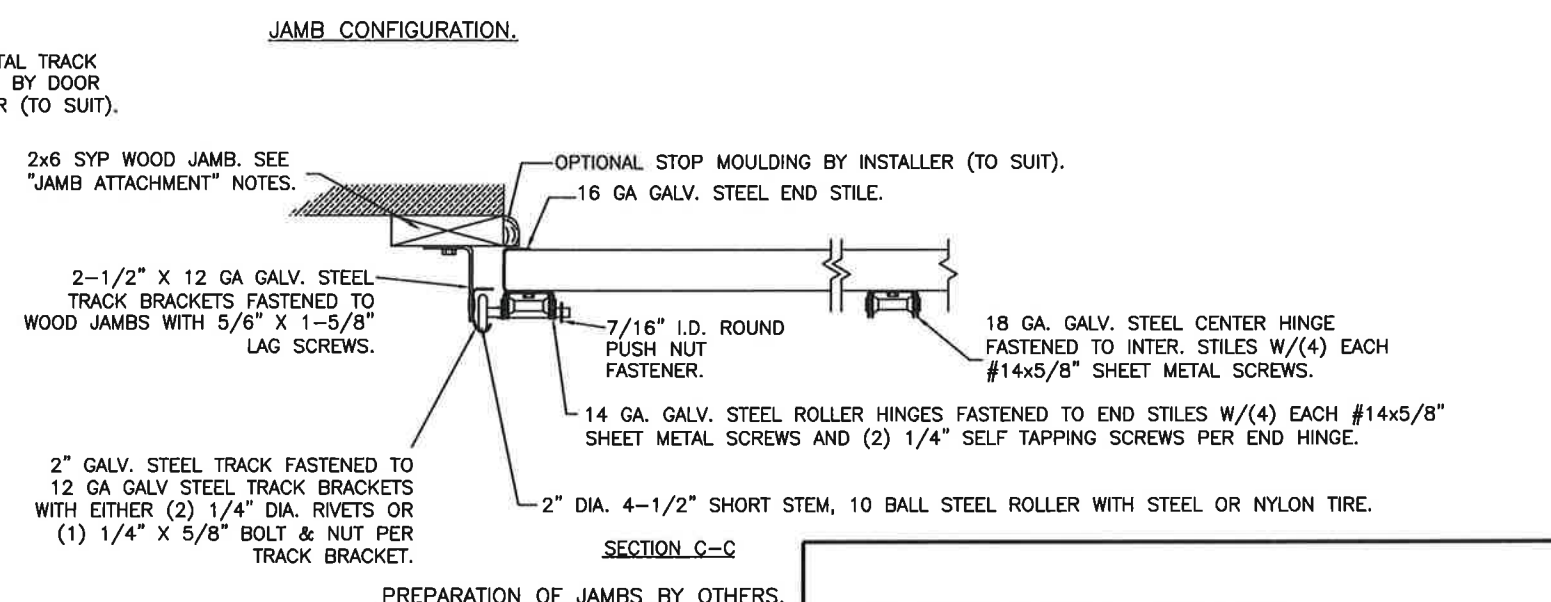
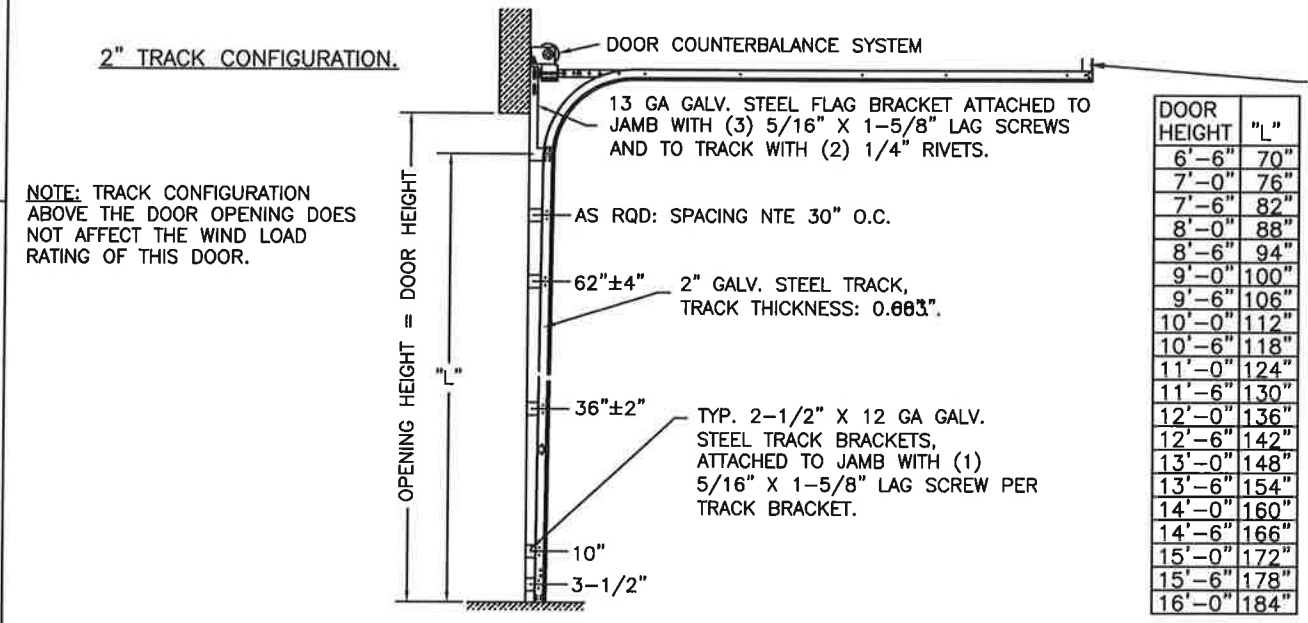
PART NO.: N/A

WINDLOAD RATING  
W6 DP38



BRAND	EMBOSS TYPE		
	SHORT	LONG	FLUSH
CLOPAY	9200, HDP20	9203, HDPL20	9201, HDPF20
IDEAL	8200	8203	8201
HOLMES	7200	7203	7201

SHEET:		REVISIONS				
REV. NO.	ZONE:	DATE:	ECN NO.	APPVD:	DESCRIPTION	
4 OF 4	05	-	--	-	MWW	SEE REVISION HISTORY ON SHEET ONE.



DESIGN ENGINEER:  
 MARK WESTERFIELD, P.E.  
 FLORIDA P.E. #48495, NC P.E. #23832, TEXAS P.E. #91513

DESIGN LOADS: +38.0 P.S.F. & -44.0 P.S.F.  
 TEST LOADS: +57.0 P.S.F. & -66.0 P.S.F.

Unless Stated Otherwise TOLERANCES are

.0	= ±.031
.00	= ±.015
.000	= ±.005
.0000	= ±.001
Degrees	= ±1/2'

Unless Stated Otherwise DIMENSIONS ARE IN INCHES.

**Clopay** CORPORATION  
 8585 Duke Boulevard  
 Mason, OH 45040 USA  
 Tel. No. 513-770-4800  
 Fax No. 513-770-4853

MANUFACTURING PRODUCT CODE  
 DSIU-1F171

PART NO.: N/A

WINDLOAD RATING  
**W6 DP38**

DESCRIPTION: CLASSIC 2" INTELICORE SINGLE CAR +38/-44 PSF	SCALE: NTS	DWG. SIZE <b>B</b>
DRAWN BY: SH	DATE: 5/25/09	SHEET 4 OF 4
CHECKED BY: --	DATE: --	VER: TDI
DWG. NO.: 104184		