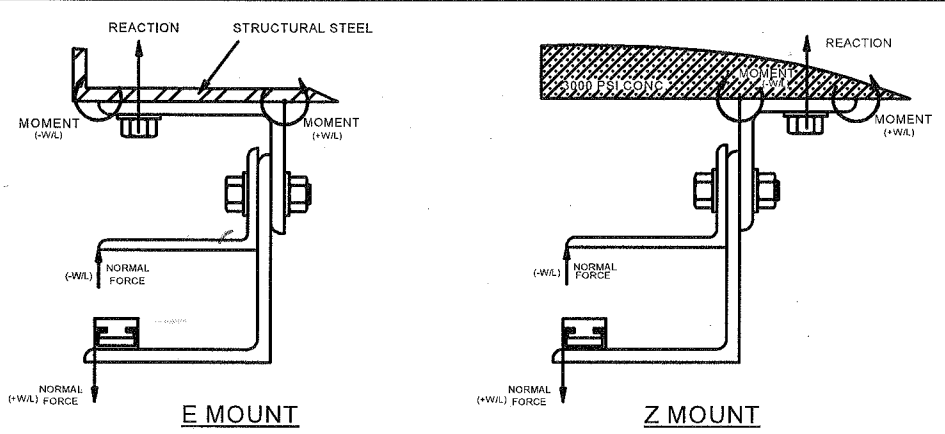


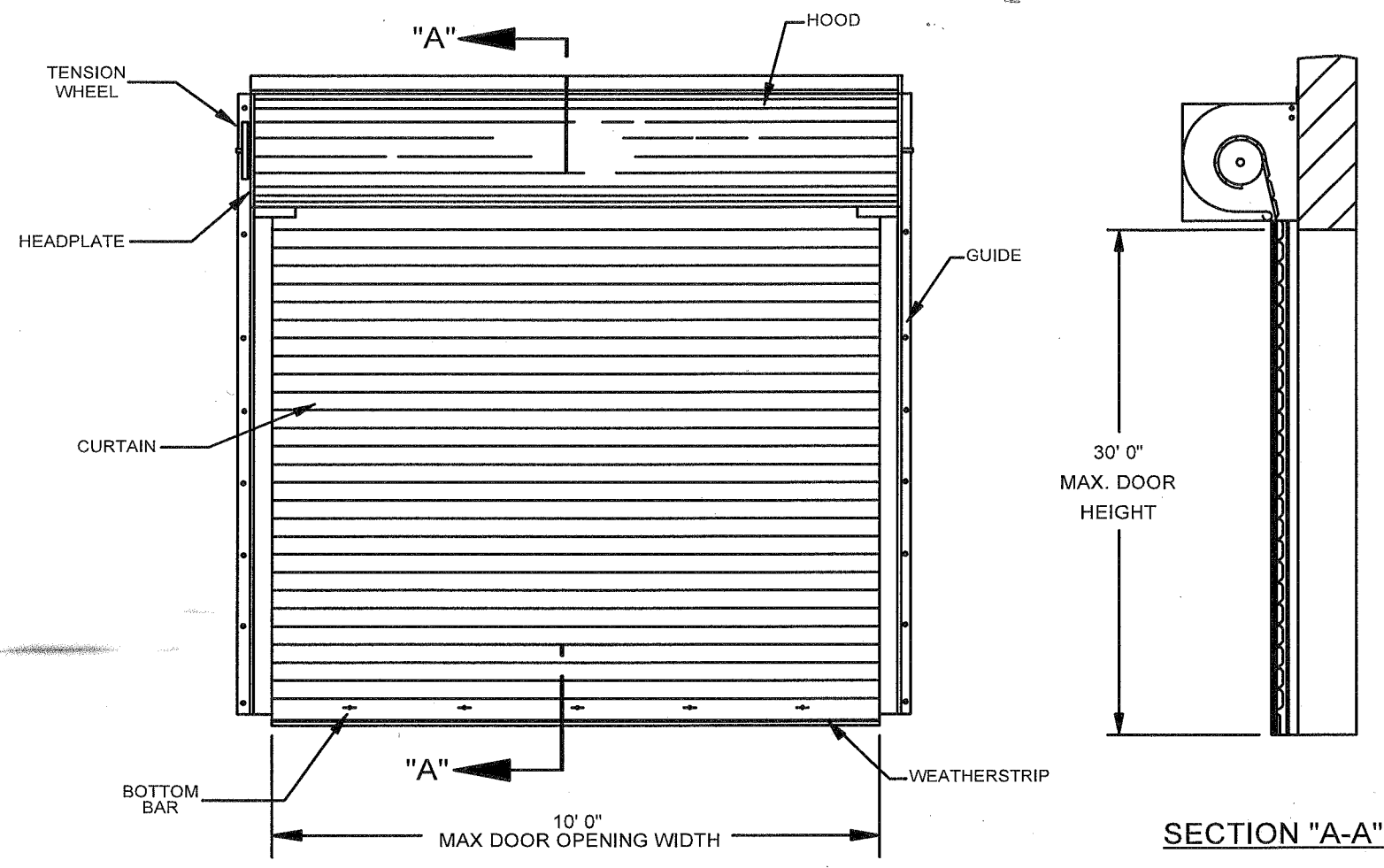
REVISIONS				
EN	REV	DESCRIPTION	DATE	APVL
502944	REL	RELEASE FOR PRODUCTION	6/2/15	TS

- NOTES: (UNLESS OTHERWISE SPECIFIED)**
- DESIGNED AND TESTED IN ACCORDANCE FLORIDA BLDG CODE AND INTERNATIONAL BLDG CODE. PROFESSIONAL ENGINEER'S SEAL PROVIDED ONLY FOR VERIFICATION OF WIND LOAD CONSTRUCTION DETAILS.
  - WALL ANGLES MAY BE WELDED TO STEEL JAMBS. PLUG WELDS IN THE WALL ANGLE SLOTS THE THICKNESS OF THE ANGLE, OR FILLET WELDS AT THE HEEL AND TOE OF THE WALL ANGLE, 2" LONG AT EACH SPECIFIED BOLT LOCATION, REQUIRED TO HOLD THE LOADS EXERTED ON THE GUIDE.
  - STEEL JAMBS MUST BE MINIMUM ASTM A36 3/16" THICK
  - RATED DESIGN PRESSURE:  $\pm 38$  PSF.
  - (-W/L) = NEGATIVE WIND LOAD  
(+W/L) = POSITIVE WIND LOAD
  - NO WIND LOCKS REQUIRED ON THIS DOOR DESIGN.
  - GUIDE MATERIAL: ASTM A36  
CURTAIN MATERIAL: ASTM A-653 CS TYPE B
  - THIS DOOR IS CAPABLE OF INTERIOR OR EXTERIOR MOUNTING.

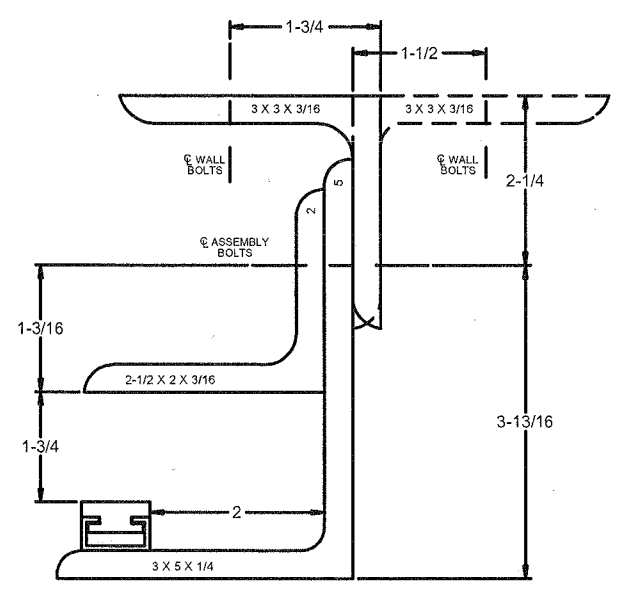


MOUNT	(E-MOUNT) LOADS *	(Z-MOUNT) LOADS *
REACTION	346	760
NORMAL	190	190

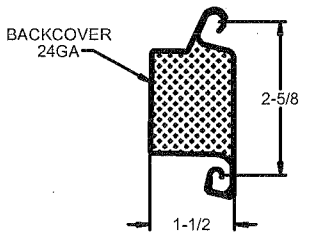
\* LOADS - PER FOOT OF HEIGHT (LBS)  
**LOAD TABLE**



**SECTION "A-A"**



**GUIDE DETAIL**



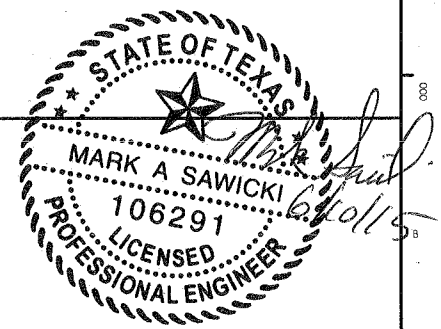
**SLAT DETAIL**

FRONT SLAT GAUGE OPTIONS: 24, 22, 20, 18

SLAT	ASSEMBLY BOLT	WALL BOLT STEEL JAMB	WALL ATTACHMENT CONCRETE JAMB*
FIT265	3/8" GRADE 5, 18" O.C.	3/8" GRADE 5, 18" O.C.	3/8" X 2.38" EMB HILTI KWIK BOLT 3 15" O.C.

\*ANCHORS MUST BE INSTALLED INTO UN-CRACKED, MIN. 3000 PSI, MIN. 6" THICK, NORMAL WEIGHT CONCRETE

**HARDWARE DETAIL**



OVERHEAD DOOR CORPORATION  
2501 SOUTH STATE HWY 121 BUSINESS  
LEWISVILLE, TX 75067  
MARK A. SAWICKI, TX PE 106291

<small>THE DRAWINGS AND ALL OTHER INFORMATION CONTAINED HEREIN ARE THE CONFIDENTIAL PROPRIETARY PROPERTY OF OVERHEAD DOOR CORPORATION, INCLUDING ITS AFFILIATED SUBSIDIARIES AND AFFILIATES. THIS DRAWING INFORMATION IN WHOLE OR IN PART, MAY NOT BE COPIED IN ANY MANNER OR DISCLOSED TO ANYONE WITHOUT PRIOR WRITTEN CONSENT OF OVERHEAD DOOR CORPORATION. DISCLOSURE OF ANY DRAWING OR INFORMATION IS INTENDED NOT TO AND SHALL NOT OPERATE AS A LICENSE OR AUTHORIZATION TO USE IT FOR ANY PURPOSE WITHOUT SPECIFIC WRITTEN CONSENT OF OVERHEAD DOOR CORPORATION.</small>	<small>UNLESS OTHERWISE SPECIFIED INTERPRET DIMS &amp; TOLS PER ASME Y14.5M</small> <small>ALL DIMS ARE IN INCHES</small> <small>DO NOT SCALE</small>	<small>TOLERANCES:</small> X = $\pm .1$ XX = $\pm .03$ XXX = $\pm .010$ ANGULAR = $\pm .5^\circ$	<small>APPROVALS</small> <small>DATE</small> <small>5/22/2014</small> <small>5/29/14</small> <small>5/29/14</small>	
	<small>DIMS CIRCLED WITH SYMBOL (C) ARE CRITICAL TO QUALITY DESIGN FEATURES &amp; MUST MEET APPLICABLE IN-PROCESS INSPECTION STANDARDS.</small>	<small>FINISH</small> N/A	<small>OVERHEAD DOOR CORP</small> <small>LEWISVILLE, TEXAS</small>	<small>DESCRIPTION</small> <b>MODEL 627, ROLLING SERVICE DOOR, 10' TDI, 38PSF</b>
	<small>ALL GEOMETRY GOVERNED BY 3D CAD DATABASE</small>	<small>SCALE</small> 1:1	<small>UOM</small> IN.	<small>REV</small> REL
	<small>SHEET 1 OF 1</small>	<small>SIZE</small> D	<small>DWG NO.</small> <b>308737</b>	