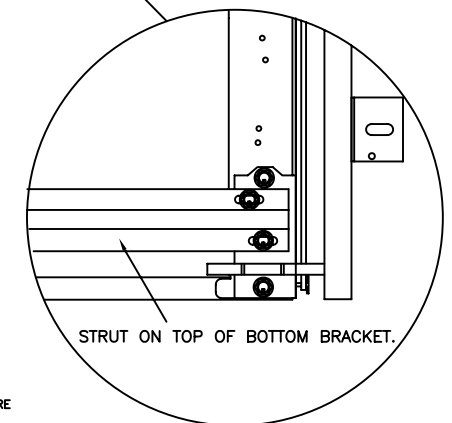
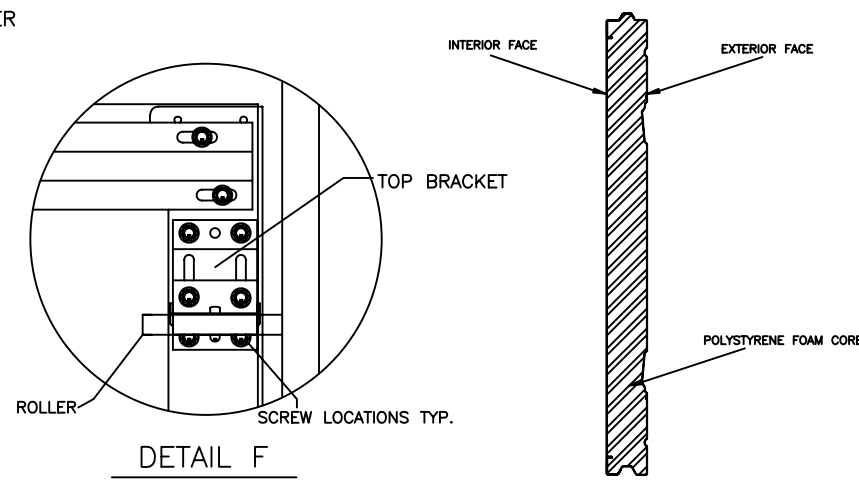
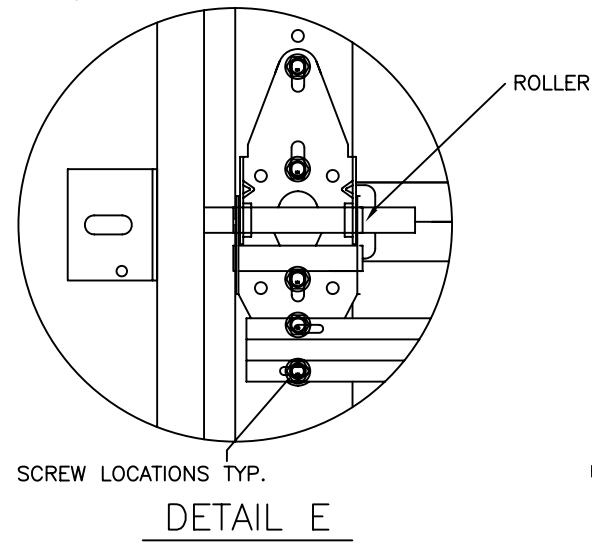
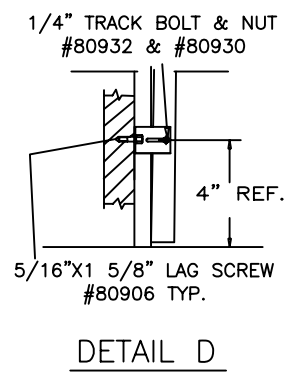
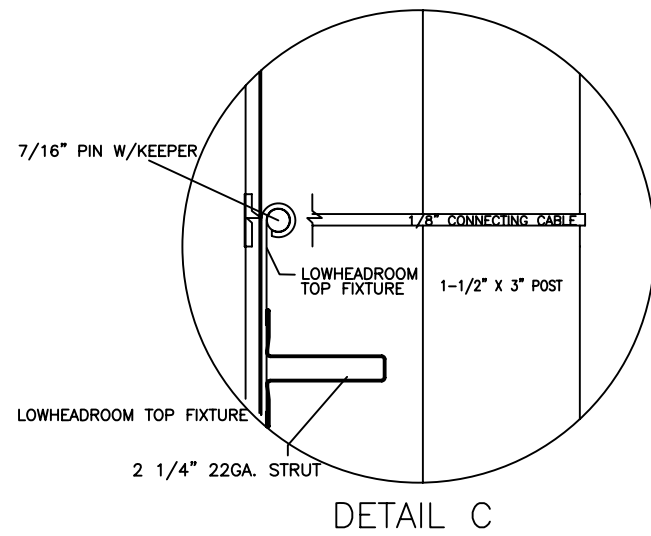
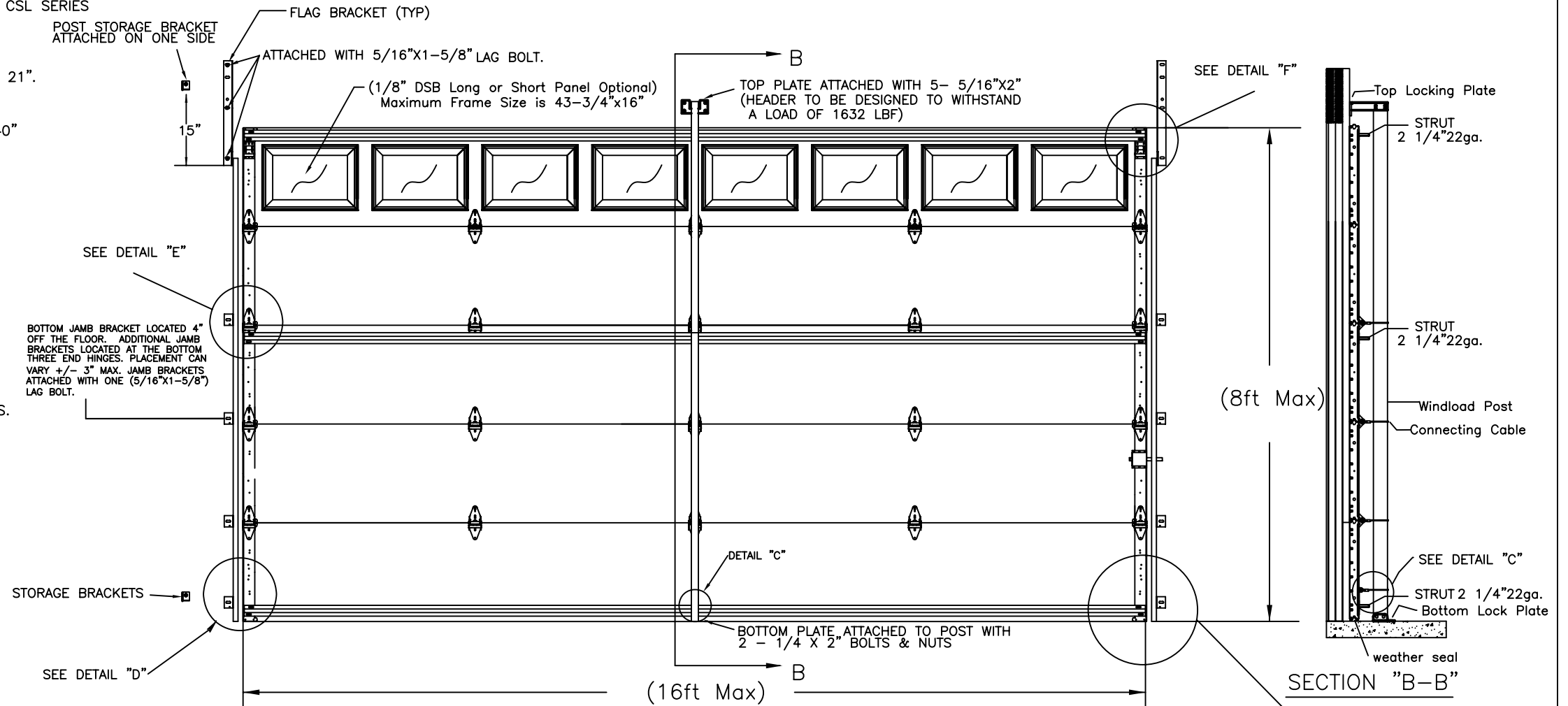


NOTES:

- VANTAGE STANDARD PRESS SHOWN, AMERICAN 200, CS, XL, CSX OR CSL SERIES MAY BE SUBSTITUTED.
- STRUTS ATTACHED WITH 2 SELF DRILLING SCREWS 1/4"-20 X 3/4" AT EACH STILE LOCATION
- 5 SECTION HIGH DOOR SHOWN ( 8FT) MAXIMUM SECTION HEIGHT OF 21".
- MINIMUM STEEL THICKNESS FOR SECTION IS 26 GA. (.0165").
- SECTIONS EMBOSSED 14.00"x20.375" ,16" X20.375", 14"x41", 16"x40" OR SECTIONS WITHOUT EMBOSSEMENT MAY ALSO BE USED. (LOCATION AND QUANTITY OF CENTER STILES MUST BE THE SAME).
- TORSION SPRINGS OR EXTENSION SPRINGS AVAILABLE.
- A LOCK MUST BE ATTACHED TO EITHER SIDE OF THE DOOR. CAM & BAR LOCKS OR AN OPENER MAY BE SUBSTITUTED.
- WOOD MOUNT SHOWN, STEEL AND MASONRY ANGLE AND REVERSE ANGLE MOUNT AVAILABLE. NUMBER OF JAMB BRACKET ANCHOR LOCATIONS MUST BE THE SAME.
- JAMB DETAIL IN ACCORDANCE WITH DWG. # RCWL-0001
- THE POST AND CABLES WITH PINS AND KEEPER MUST BE PROPERLY STOWED WHEN NOT IN USE, USING THE STORAGE BRACKET.
- THIS DOOR HAS NOT BEEN TESTED FOR WIND-BORNE DEBRIS.
- USE THIS DRAWING IN CONJUNCTION WITH INSTALLATION INSTRUCTIONS. WHERE THE DRAWING CONFLICTS WITH OTHER INSTALLATION INSTRUCTIONS, THIS DRAWING GOVERNS.



This product was tested/evaluated in accordance with ANSI/DASMA 108-05

DESIGN LOAD +30/-33.5

PROFESSIONAL ENGINEER'S SEAL PROVIDED ONLY FOR VERIFICATION OF WINDLOAD CONSTRUCTION DETAILS REPORT #98091.01-801-47

JOHN E. SCATES, P.E.  
3121 FAIRGATE  
CARROLLTON, TX  
FL. P.E. # 51737  
TX. P.E. # 56308, F-2203

Rev.	By	Date	Description	Rev.	By	Date	Description	SCALE	N.T.S.	DATE
0	BR	2/1/10	NEW DRAWING	8						
1	BR	1/12/12	updated for 2010 fbc	9				DRAWN BY	BJR	02-1-10
2	BR	1/28/12	updated notes	10				INITIAL CHK.	BJR	"
3				11				FINAL CHK.	"	"
4				12				ENGR.	"	"
5				13				APPR. BY	JS.	"
6				14						
7				15						

**Mid-America Door Company** PONCA CITY, OK

DESCRIPTION: VANTAGE WINDLOAD SERIES

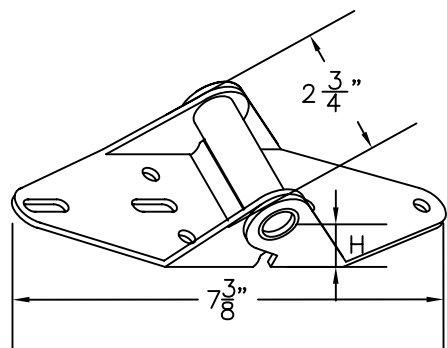
TITLE: WINDLOAD CONSTRUCTION DETAILS

DWG. NO.: VWLP6-1608

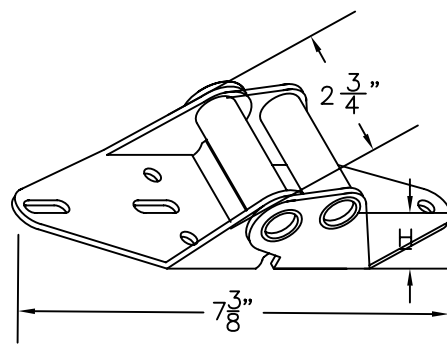
SHT. 1 OF 3

REV. 2

NOTES: THIS DRAWING AND / OR TECHNICAL INFORMATION ON THIS SHEET IS THE PROPERTY OF MID-AMERICA DOOR COMPANY AND IS LOANED IN CONFIDENCE FOR ENGINEERING AND MUTUAL ASSISTANCE PURPOSES ONLY, AND MAY NOT BE REPRODUCED OR USED TO MANUFACTURE ANYTHING DISCLOSED HEREON WITHOUT THE EXPRESSED PERMISSION OF MID-AMERICA DOOR COMPANY.

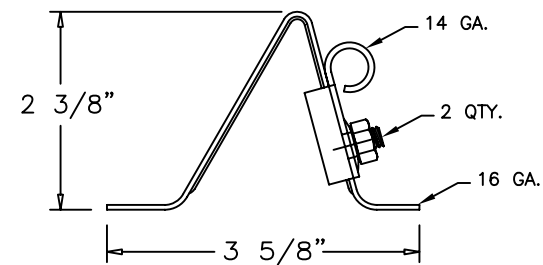
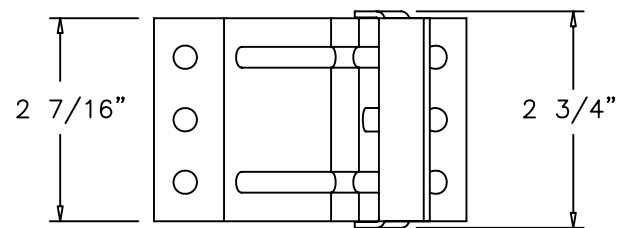


P/N 20604 (#1 HINGE)

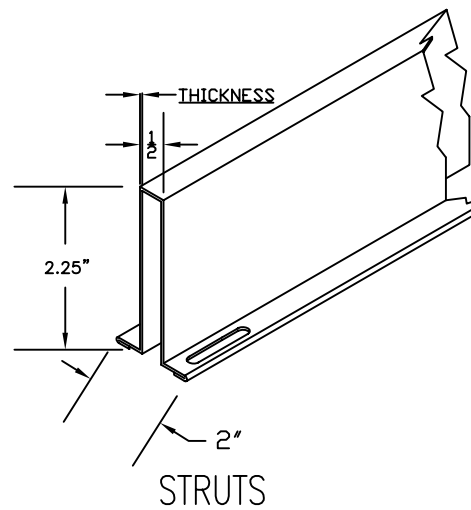


END HINGE

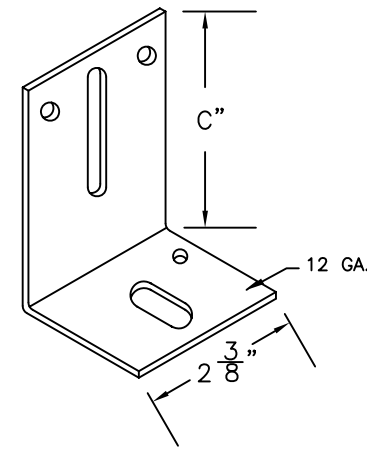
HINGE #	GAGE #	"H"	PART NUMBER
1	14	3/4"	20602
2	14	1"	20606
3	14	1 1/4"	20610
4	14	1 1/2"	20614



P/N 20356 TOP FIXTURE

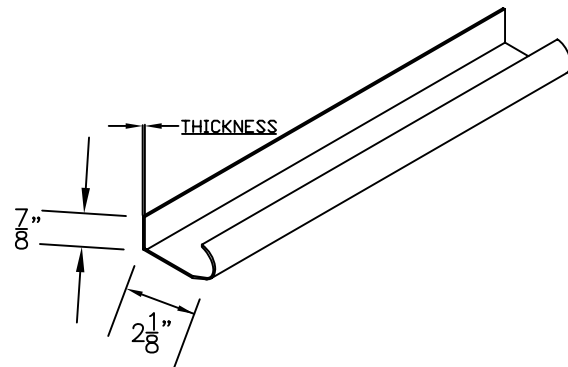


THICKNESS OF STRUTS ARE AS STATED BELOW	
2.25" 22 GAUGE 33 KSI MINIMUM YIELD	.028" MIN.



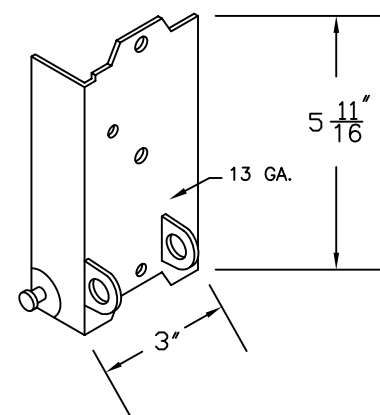
TRACK BRACKET

BRACKET #	"C"	PART NUMBER
4	3"	20368
5	3 1/4"	20370
6	3 1/2"	20372
7	3 3/4"	20374

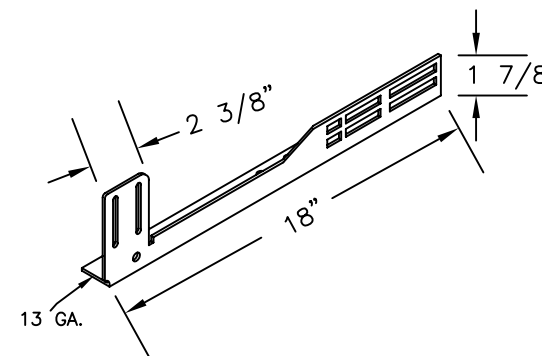


WINDLOAD TRACK

THICKNESS OF TRACK IS AS STATED BELOW	
VERTICAL TRACK IS MIN. 16 GA.	.058" MIN
HORIZONTAL TRACK IS MIN. 18 GA.	.045" MIN

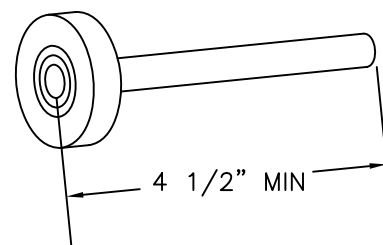
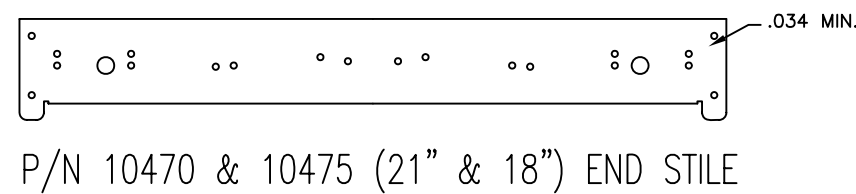
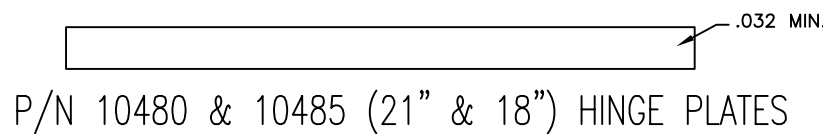


P/N 20334&5 BOTTOM BRKT.



20366 & 7 FLAG BRACKET

- NOTES:
- STRUTS ARE NOT MORE THAN 1 1/2" SHORTER THAN SECTION.
  - USE IN CONJUNCTION WITH INSTALLATION INSTRUCTIONS. WHERE THE DRAWING CONFLICTS WITH OTHER INSTALLATION INSTRUCTIONS, THIS DRAWING GOVERNS.



P/N 20804 SHORT STEM 10 BALL ROLLER

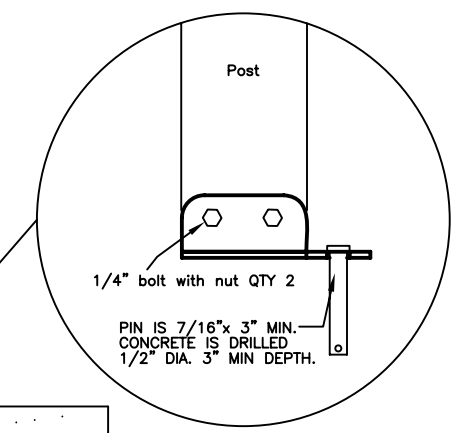
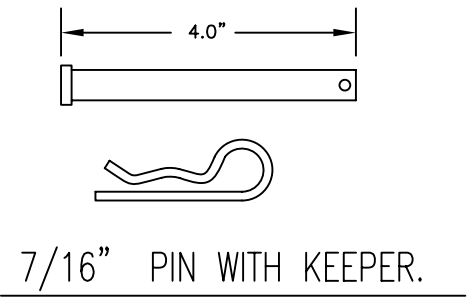
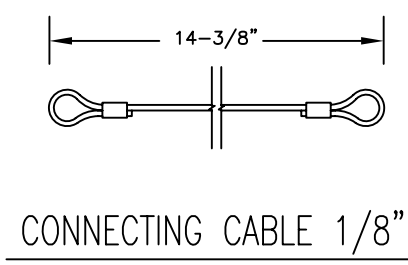
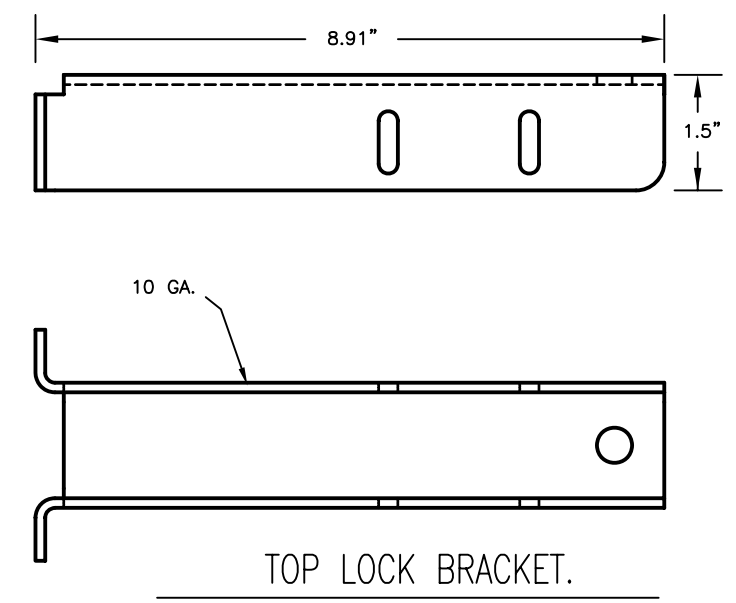
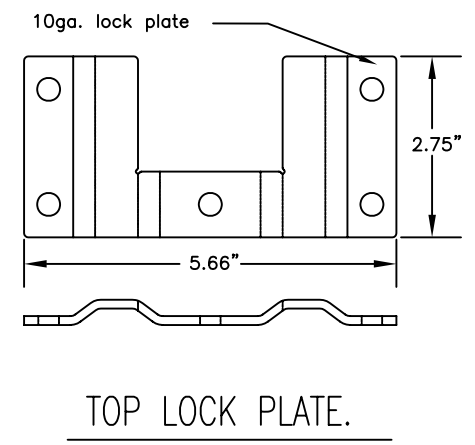
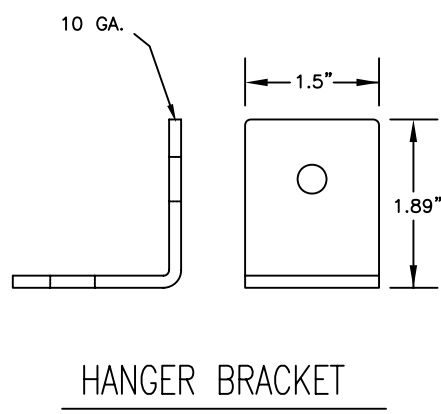
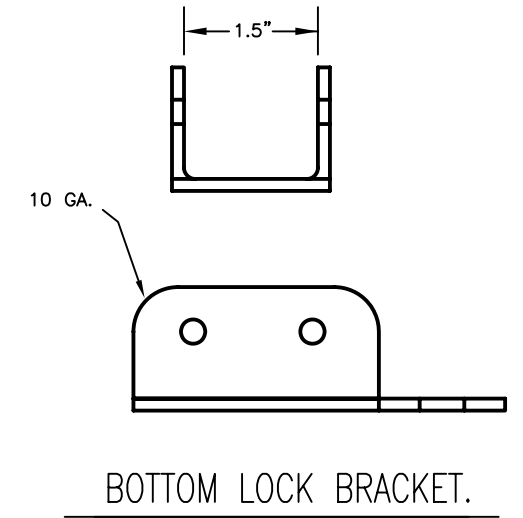
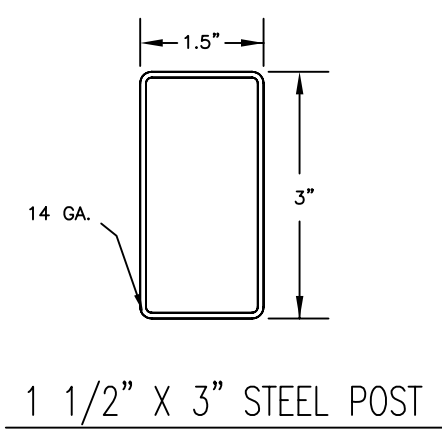
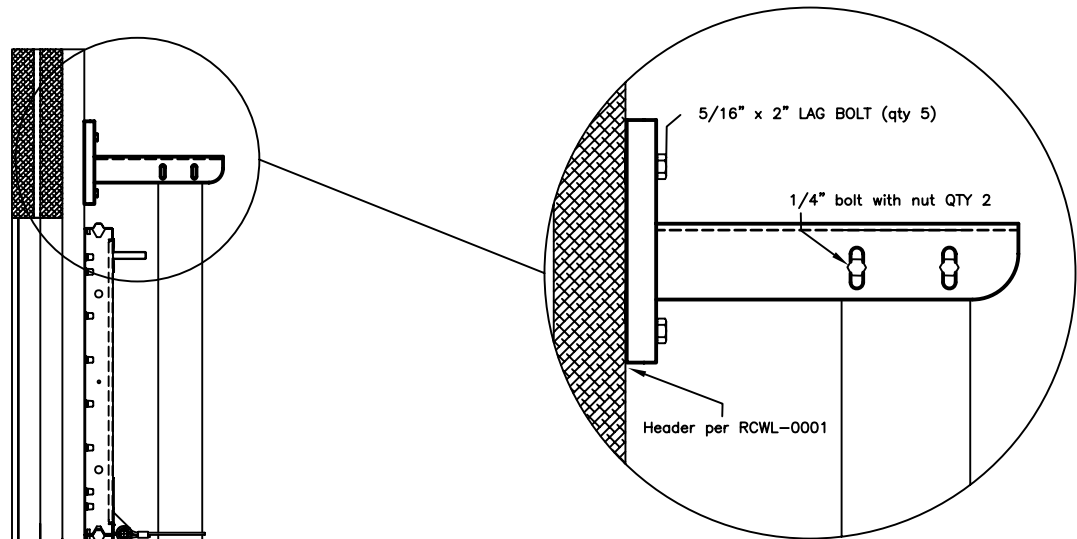
PROFESSIONAL ENGINEER'S  
SEAL PROVIDED ONLY FOR  
VERIFICATION OF WINDLOAD  
CONSTRUCTION DETAILS

JOHN E. SCATES, P.E.  
3121 FAIRGATE  
CARROLLTON, TX  
FL. P.E. # 51737  
TX. P.E. # 56308, F-2203

NOTES: THIS DRAWING AND / OR TECHNICAL INFORMATION ON THIS SHEET IS THE PROPERTY OF MID-AMERICA DOOR COMPANY AND IS LOANED IN CONFIDENCE FOR ENGINEERING AND MUTUAL ASSISTANCE PURPOSES ONLY, AND MAY NOT BE REPRODUCED OR USED TO MANUFACTURE ANYTHING DISCLOSED HEREON WITHOUT THE EXPRESSED PERMISSION OF MID-AMERICA DOOR COMPANY.

Rev.	By	Date	Description	Rev.	By	Date	Description	SCALE	N.T.S.	DATE
0	BR	2/24/04	NEW DRAWING	8				DRAWN BY	BJR	12-4-06
1	BR	1/12/12	updated for 2010 lbc	9				INITIAL CHK.	BJR	"
2	BR	7/28/12	updated notes	10				FINAL CHK.	JAR	"
3				11				ENGR.		"
4				12				APPR. BY	JAR	"
5				13						
6				14						
7				15						

		Mid-America Door Company PONCA CITY, OK	
DESCRIPTION			
WINDLOAD SERIES HARDWARE			
TITLE		DWG. NO.	SHT. REV.
WINDLOAD CONSTRUCTION DETAILS		VWLP6-1608	2 OF 3



PROFESSIONAL ENGINEER'S  
SEAL PROVIDED ONLY FOR  
VERIFICATION OF WINDLOAD  
CONSTRUCTION DETAILS

JOHN E. SCATES, P.E.  
3121 FAIRGATE  
CARROLLTON, TX  
FL. P.E. # 51737  
TX. P.E. # 56308, F-2203

Rev.	By	Date	Description	Rev.	By	Date	Description	SCALE	N.T.S.	DATE
0	BR	2/1/10	NEW DRAWING	8				DRAWN BY	BJR	2/1/10
1	BR	1/12/12	updated for 2010 lbc	9				INITIAL CHK.	BJR	"
2	BR	7/28/12	updated notes	10				FINAL CHK.	JAR	"
3				11				ENGR.		"
4				12				APPR. BY	JAR	"
5				13						
6				14						
7				15						

**Mid-America Door Company** PONCA CITY, OK

DESCRIPTION  
WINDLOAD POST HARDWARE

TITLE  
WINDLOAD CONSTRUCTION DETAILS

DWG. NO.  
WVLP6-1608

SHT.  
3 OF 3

REV.  
2

NOTES: THIS DRAWING AND / OR TECHNICAL INFORMATION ON THIS SHEET IS THE PROPERTY OF MID-AMERICA DOOR COMPANY AND IS LOANED IN CONFIDENCE FOR ENGINEERING AND MUTUAL ASSISTANCE PURPOSES ONLY, AND MAY NOT BE REPRODUCED OR USED TO MANUFACTURE ANYTHING DISCLOSED HEREON WITHOUT THE EXPRESSED PERMISSION OF MID-AMERICA DOOR COMPANY.