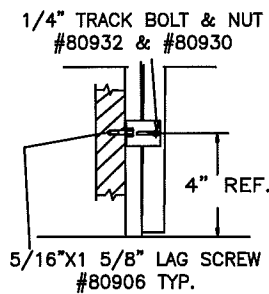
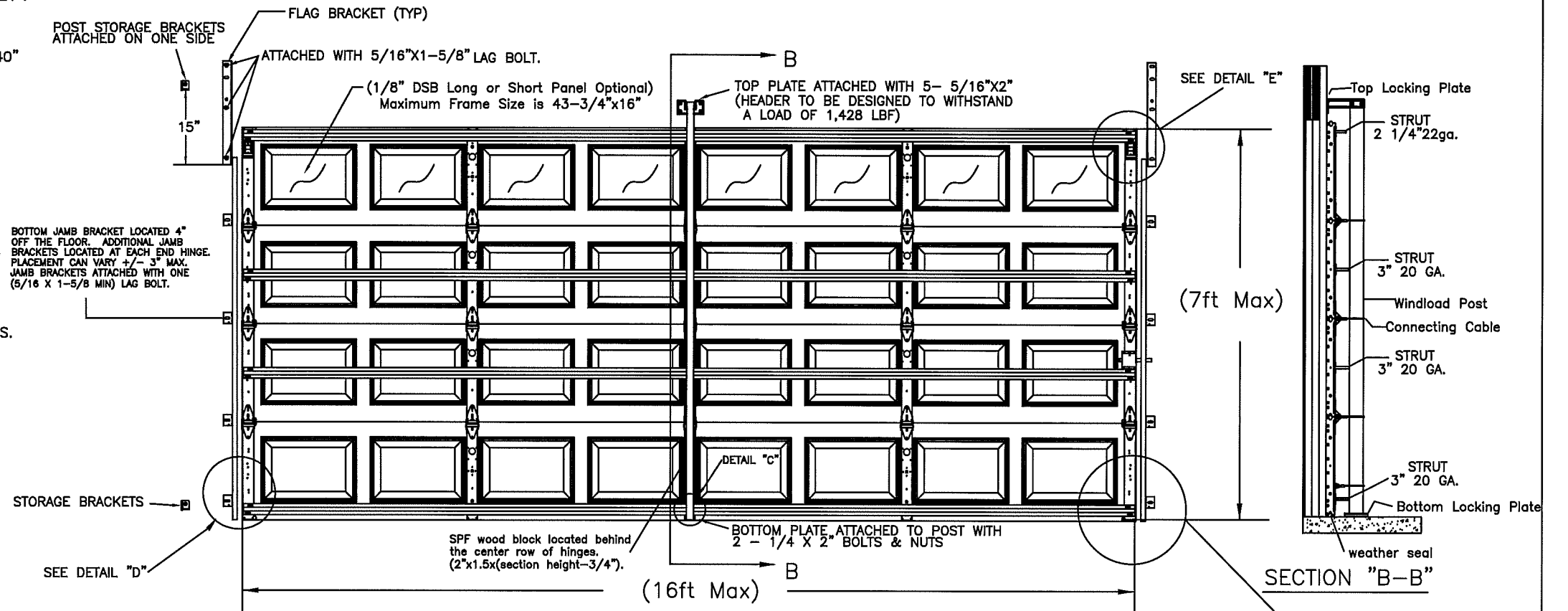
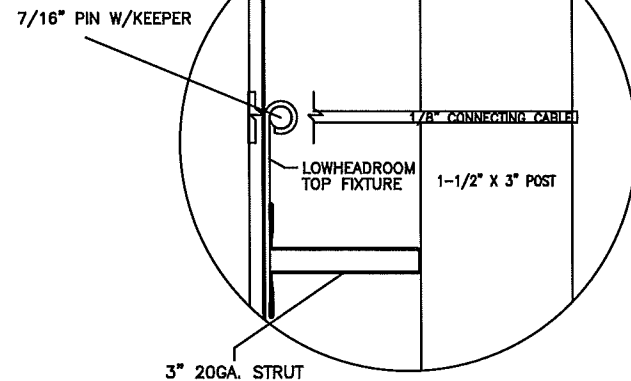


NOTES:

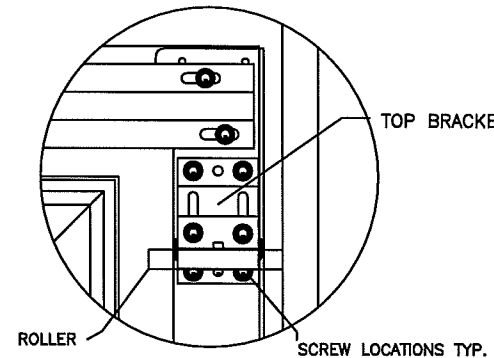
1. REGAL SHOWN, CELEBRITY, AMERICAN 100, CS, XL, CSX OR CSL SERIES MAY BE SUBSTITUTED.
2. STRUTS ATTACHED WITH 2 SELF DRILLING SCREWS 1/4"-20 X 3/4" AT EACH STILE LOCATION
3. 4 SECTION HIGH DOOR SHOWN (7FT) MAXIMUM SECTION HEIGHT OF 21".
4. MINIMUM STEEL THICKNESS FOR SECTION IS 25 GA. (.0185").
5. SECTIONS EMBOSSED 14.00"x20.375" ,16" X20.375", 14"x41", 16"x40" OR SECTIONS WITHOUT EMBOSSEMENT MAY ALSO BE USED. (LOCATION AND QUANTITY OF CENTER STILES MUST BE THE SAME).
6. TORSION SPRINGS OR EXTENSION SPRINGS AVAILABLE.
7. A LOCK MUST BE ATTACHED TO EITHER SIDE OF THE DOOR. CAM & BAR LOCKS OR AN OPENER MAY BE SUBSTITUTED.
8. WOOD MOUNT SHOWN, STEEL AND MASONRY ANGLE AND REVERSE ANGLE MOUNT AVAILABLE. NUMBER OF JAMB BRACKET ANCHOR LOCATIONS MUST BE THE SAME.
9. JAMB DETAIL IN ACCORDANCE WITH DWG. # RCWL-0001
10. THE POST AND CABLES WITH PINS AND KEEPER MUST BE PROPERLY STOWED USING THE POST STORAGE BRACKET.
11. THIS DOOR HAS NOT BEEN TESTED FOR WIND-BORNE DEBRIS.
12. USE THIS DRAWING IN CONJUNCTION WITH INSTALLATION INSTRUCTIONS. WHERE THE DRAWING CONFLICTS WITH OTHER INSTALLATION INSTRUCTIONS, THIS DRAWING GOVERNS.



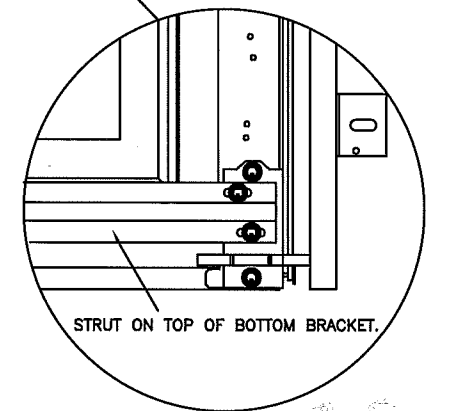
DETAIL D



DETAIL C



DETAIL E



SECTION "B-B"

DESIGN LOAD +30/-33.5

This product was tested/evaluated in accordance with ANSI/DASMA 108-05

NOTES: THIS DRAWING AND / OR TECHNICAL INFORMATION ON THIS SHEET IS THE PROPERTY OF MID-AMERICA DOOR COMPANY AND IS LOANED IN CONFIDENCE FOR ENGINEERING AND MUTUAL ASSISTANCE PURPOSES ONLY, AND MAY NOT BE REPRODUCED OR USED TO MANUFACTURE ANYTHING DISCLOSED HEREON WITHOUT THE EXPRESSED PERMISSION OF MID-AMERICA DOOR COMPANY.

Rev.	By	Date	Description	Rev.	By	Date	Description	SCALE	N.T.S.	DATE
0	BR	2/1/10	NEW DRAWING	8				DRAWN BY	BJR	02-1-10
1	BR	1/12/12	updated for 2010 file	9				INITIAL CHK.	BJR	*
2	BR	7/28/12	updated NOTES	10				FINAL CHK.		*
3				11				ENGR.		*
4				12				APPR. BY	JS.	*
5				13						
6				14						
7				15						

PROFESSIONAL ENGINEER'S SEAL PROVIDED ONLY FOR VERIFICATION OF WINDLOAD CONSTRUCTION DETAILS REPORT #

JOHN E. SCATES, P.E.
3121 FAIRGATE
CARROLLTON, TX
FL P.E. # 51737
TX P.E. # 56308 F-2203

8/6/12

Mid-America Door Company
PONCA CITY, OK

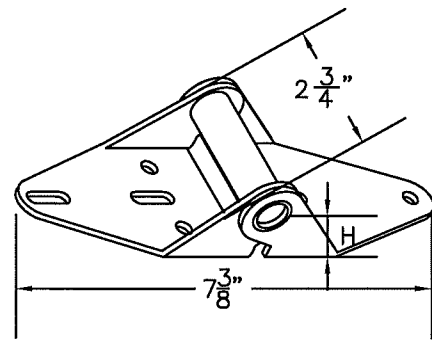
DESCRIPTION
REGAL/ CELEBRITY WINDLOAD SERIES

TITLE
WINDLOAD CONSTRUCTION DETAILS

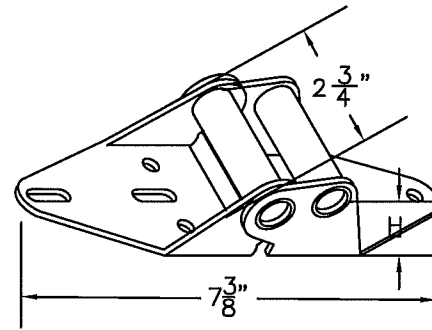
DWG. NO.
RCWLP6-1607

SHT. OF
1 OF 3

REV.
2

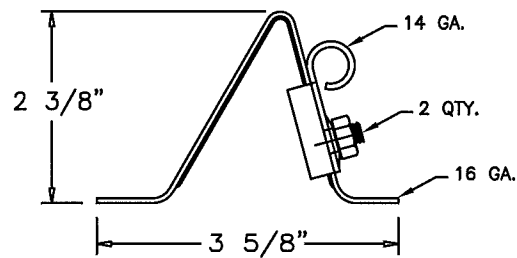
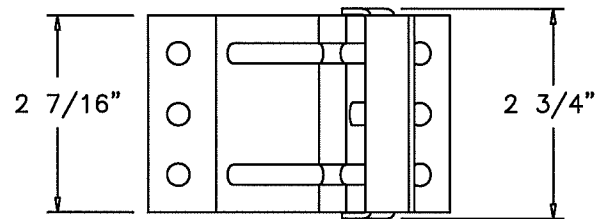


P/N 20604 (#1 HINGE)

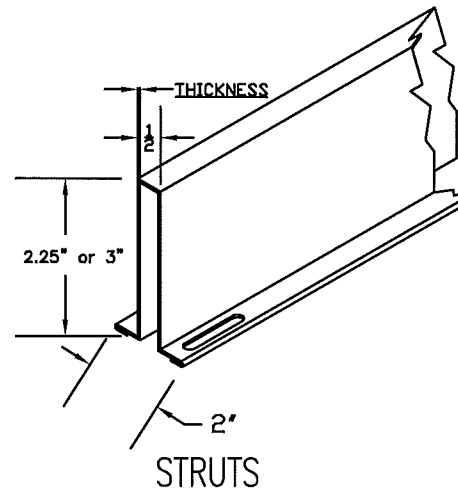


END HINGE

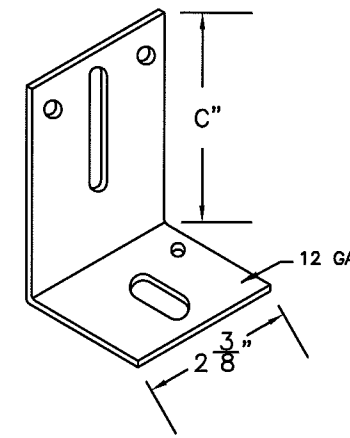
HINGE #	GAGE #	"H"	PART NUMBER
1	14	3/4"	20602
2	14	1"	20606
3	14	1 1/4"	20610
4	14	1 1/2"	20614



P/N 20356 TOP FIXTURE

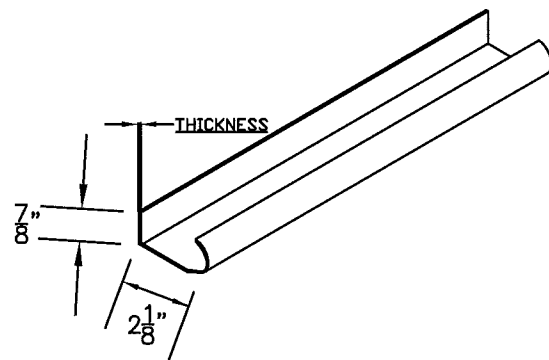


THICKNESS OF STRUTS ARE AS STATED BELOW	
2.25" 22 GAUGE 33 KSI MINIMUM YIELD	.028" MIN.
3" 20 GAUGE 50 KSI MINIMUM YIELD	.036" MIN.



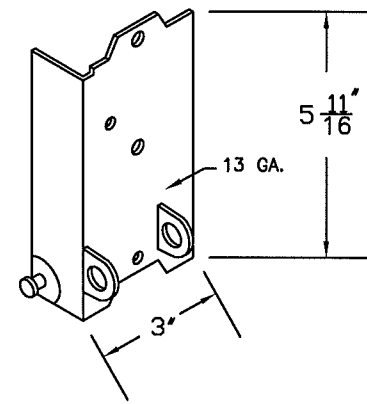
TRACK BRACKET

BRACKET #	"C"	PART NUMBER
4	3"	20368
5	3 1/4"	20370
6	3 1/2"	20372
7	3 3/4"	20374

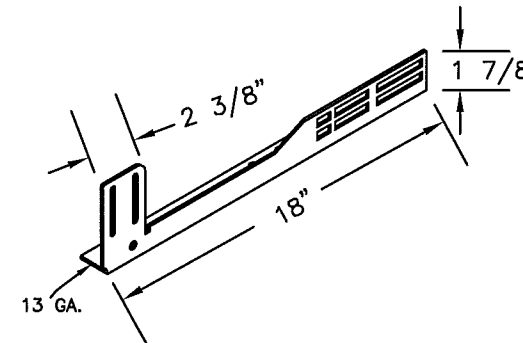


WINDLOAD TRACK

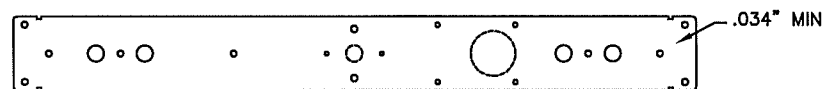
THICKNESS OF TRACK IS AS STATED BELOW	
VERTICAL TRACK IS MIN. 16 GA	.058" MIN
HORIZONTAL TRACK IS MIN. 18 GA.	.045" MIN



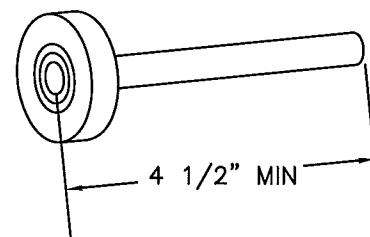
P/N 20334&5 BOTTOM BRKT.



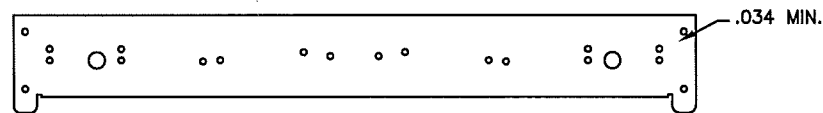
20366 & 7 FLAG BRACKET



P/N 10455 & 10465 (21" & 18") CENTER STILE



P/N 20804 SHORT STEM 10 BALL ROLLER



P/N 10450 & 10460 (21" & 18") END STILE

NOTES:

1. STRUTS ARE NOT MORE THAN 1 1/2" SHORTER THAN SECTION.
2. USE IN CONJUNCTION WITH INSTALLATION INSTRUCTIONS. WHERE THE DRAWING CONFLICTS WITH OTHER INSTALLATION INSTRUCTIONS, THIS DRAWING GOVERNS.

NOTES: THIS DRAWING AND / OR TECHNICAL INFORMATION ON THIS SHEET IS THE PROPERTY OF MID-AMERICA DOOR COMPANY AND IS LOANED IN CONFIDENCE FOR ENGINEERING AND MUTUAL ASSISTANCE PURPOSES ONLY, AND MAY NOT BE REPRODUCED OR USED TO MANUFACTURE ANYTHING DISCLOSED HEREON WITHOUT THE EXPRESSED PERMISSION OF MID-AMERICA DOOR COMPANY.

Rev.	By	Date	Description	Rev.	By	Date	Description
0	BJR	2/24/04	NEW DRAWING	8			
1	BJR	1/12/12	Updated for 2010 Rev	9			
2	BJR	7/26/12	Updated FIRST SHEET	10			
3				11			
4				12			
5				13			
6				14			
7				15			

PROFESSIONAL ENGINEER'S SEAL PROVIDED ONLY FOR VERIFICATION OF WINDLOAD CONSTRUCTION DETAILS

John E. Scates
8/6/12

JOHN E. SCATES, P.E.
3121 FAIRGATE
CARROLLTON, TX
FLORIDA P.E. # 51737
TX. P.E. # 56308 F-2203

SCALE	N.T.S.	DATE
DRAWN BY	BJR	12-4-08
INITIAL CHK.	BJR	"
FINAL CHK.	"	"
ENGR.	"	"
APPR. BY	"	"

DESCRIPTION
WINDLOAD SERIES HARDWARE

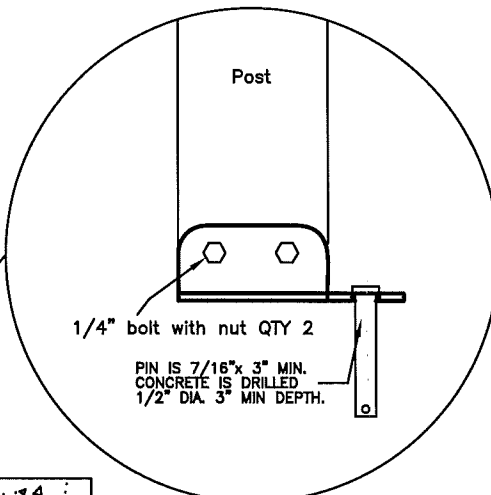
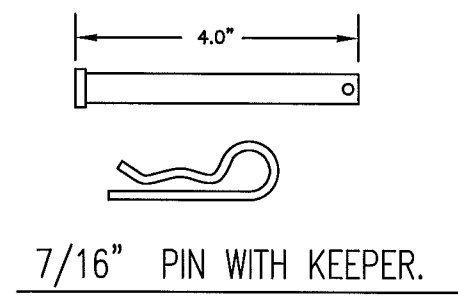
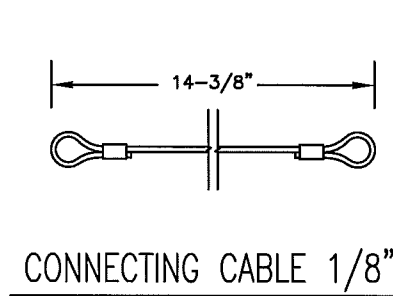
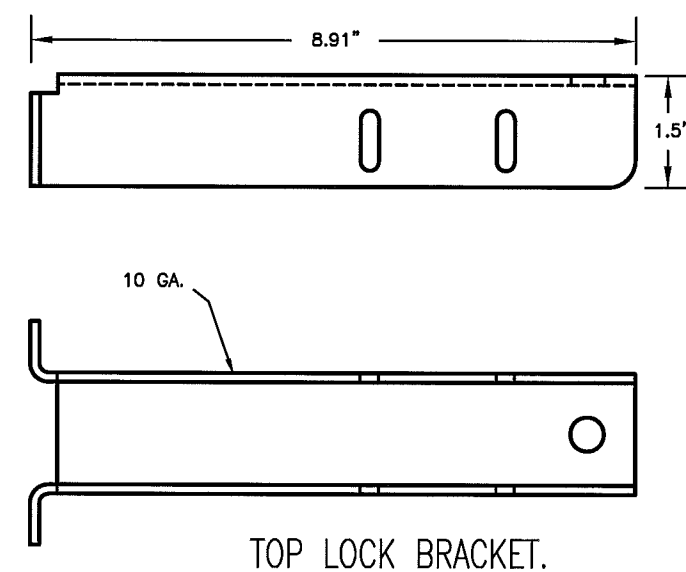
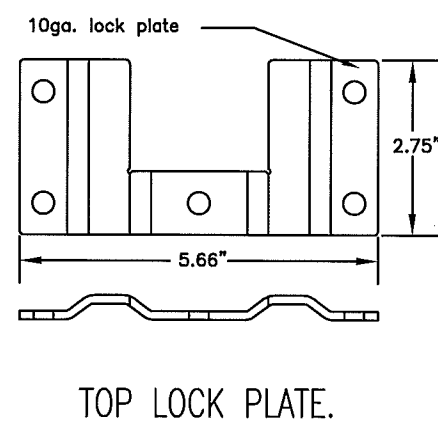
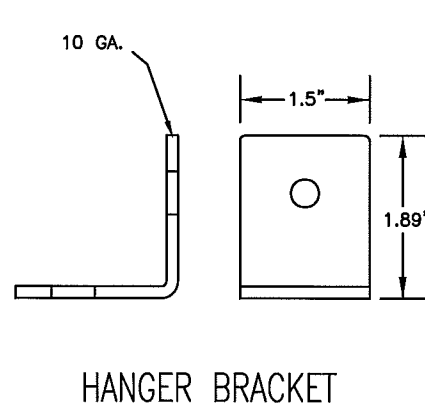
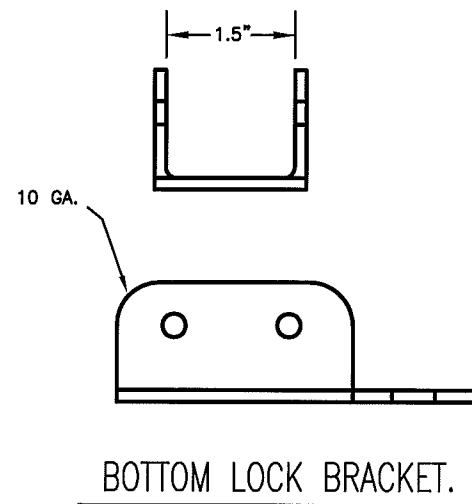
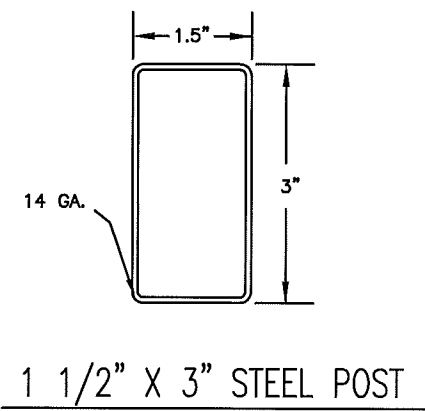
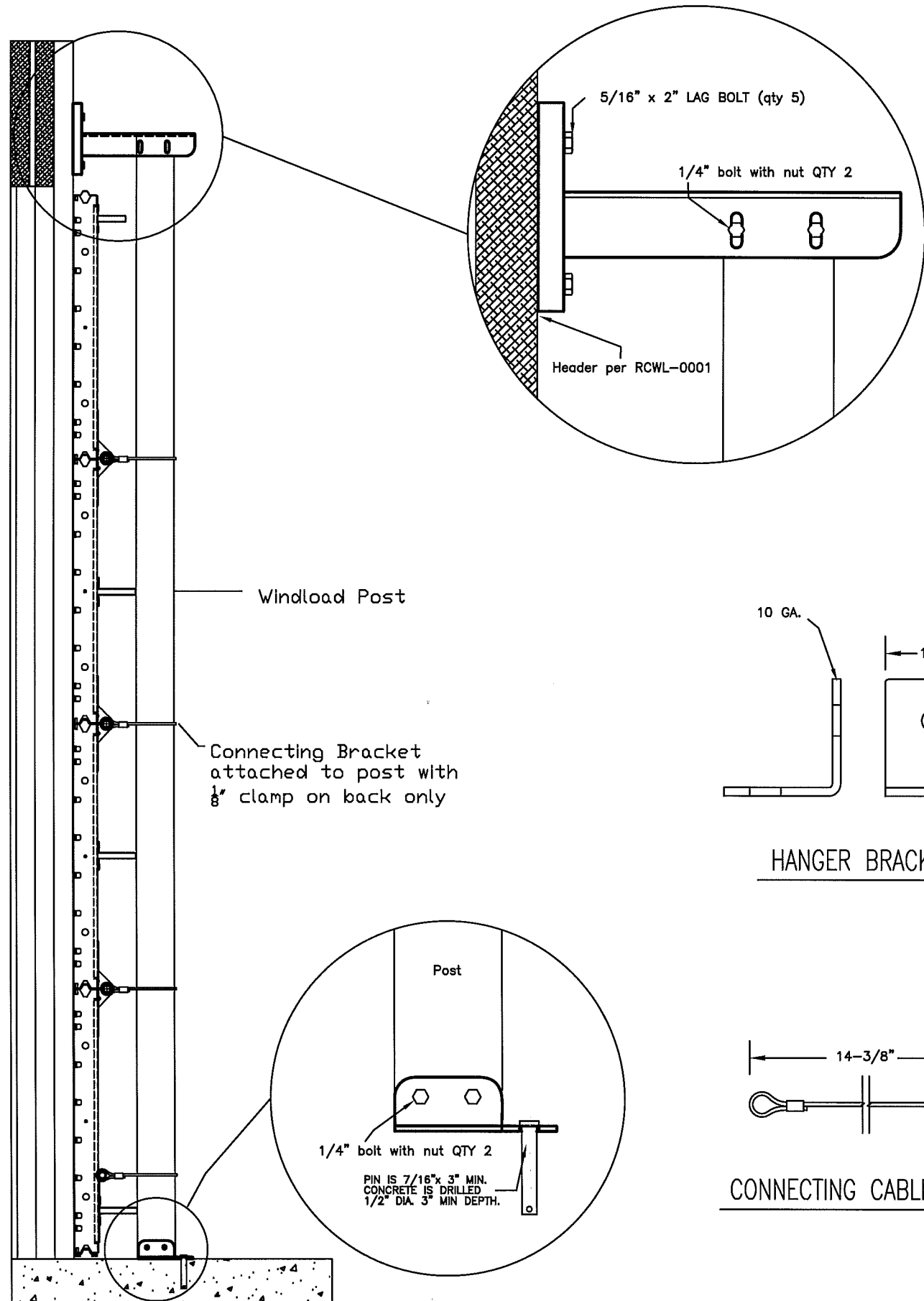
TITLE
WINDLOAD CONSTRUCTION DETAILS

DWG. NO.
RCWLP6-1607

SHT.
2 OF 3

REV.
2

Mid-America Door Company PONCA CITY, OK



PROFESSIONAL ENGINEER'S SEAL PROVIDED ONLY FOR VERIFICATION OF WINDLOAD CONSTRUCTION DETAILS

John E. Scates
8/6/12
JOHN E. SCATES, P.E.
3121 FAIRGATE
CARROLLTON, TX
FLORIDA P.E. # 51737
TX. P.E. # 56308 F-2203

NOTES: THIS DRAWING AND / OR TECHNICAL INFORMATION ON THIS SHEET IS THE PROPERTY OF MID-AMERICA DOOR COMPANY AND IS LOANED IN CONFIDENCE FOR ENGINEERING AND MUTUAL ASSISTANCE PURPOSES ONLY, AND MAY NOT BE REPRODUCED OR USED TO MANUFACTURE ANYTHING DISCLOSED HEREON WITHOUT THE EXPRESSED PERMISSION OF MID-AMERICA DOOR COMPANY.

Rev.	By	Date	Description	Rev.	By	Date	Description
0	BR	2/1/10	NEW DRAWING	8			
1	BR	1/12/12	updated for 2010 Pin	9			
2	BR	7/26/12	updated FIRST SHEET	10			
3				11			
4				12			
5				13			
6				14			
7				15			

SCALE N.T.S. DATE 2/1/10
DRAWN BY BJR
INITIAL CHK. BJR
FINAL CHK. JAR
ENGR.
APPR. BY JAR

Mid-America Door Company PONCA CITY, OK

DESCRIPTION
WINDLOAD POST HARDWARE

TITLE
WINDLOAD CONSTRUCTION DETAILS

DWG. NO. RCWLP6-1607
SHT. 3 OF 3
REV. 2