

REVISIONS			
REV	DESCRIPTION	DATE	APPROVED
A	UPDATED COMPONENTS AND DETAILS	06/19/18	R.L.

NOTES:

1. THE PRODUCT SHOWN HEREIN IS DESIGNED AND MANUFACTURED TO COMPLY WITH REQUIREMENTS OF THE 2006 IBC AND THE 2006 IRC WITH STATE OF TEXAS MODIFICATIONS AND WITH THE 2009 IBC, 2009 IRC, 2012 IBC, 2012 IRC, 2015 IBC AND 2015 IRC.
2. WOOD FRAMING AND MASONRY OPENING TO BE DESIGNED AND ANCHORED TO PROPERLY TRANSFER ALL LOADS TO STRUCTURE. FRAMING AND MASONRY OPENING IS THE RESPONSIBILITY OF THE ARCHITECT OR ENGINEER OF RECORD.
3. 1X BUCK OVER MASONRY/CONCRETE IS OPTIONAL.
4. WHERE SHIM OR BUCK THICKNESS IS LESS THAN 1-1/2" FENESTRATION UNITS MUST BE ANCHORED THROUGH THE FRAME IN ACCORDANCE WITH MANUFACTURER'S PUBLISHED INSTALLATION INSTRUCTIONS. ANCHORS SHALL BE SECURELY FASTENED DIRECTLY INTO MASONRY, CONCRETE OR OTHER STRUCTURAL SUBSTRATE MATERIAL.
5. WHERE WOOD BUCK THICKNESS IS 1-1/2" OR GREATER, BUCK SHALL BE SECURELY FASTENED TO MASONRY, CONCRETE OR OTHER STRUCTURAL SUBSTRATE. FENESTRATION UNITS MAY BE ANCHORED THROUGH FRAME TO SECURED WOOD BUCK IN ACCORDANCE WITH MANUFACTURER'S PUBLISHED INSTALLATION INSTRUCTIONS.
6. WHERE 1X BUCK IS NOT USED DISSIMILAR MATERIALS MUST BE SEPARATED WITH APPROVED COATING OR MEMBRANE. SELECTION OF COATING OR MEMBRANE IS THE RESPONSIBILITY OF THE ARCHITECT OR ENGINEER OF RECORD.
7. BUCKS SHALL EXTEND BEYOND WINDOW INTERIOR FACE SO THAT FULL FRAME SUPPORT IS PROVIDED.
8. SHIM AS REQUIRED AT EACH ANCHOR LOCATION WITH LOAD BEARING SHIM. SHIM WHERE SPACE OF 1/16" OR GREATER OCCURS. MAXIMUM ALLOWABLE SHIM STACK TO BE 1/4".
9. SHIMS SHALL BE LOCATED, APPLIED AND MADE FROM MATERIALS AND THICKNESS CAPABLE OF SUSTAINING APPLICABLE LOADS.
10. WIND LOAD DURATION FACTOR Cd=1.6 WAS USED FOR WOOD ANCHOR CALCULATIONS.
11. FRAME MATERIAL: FOAM PVC CO-EX.
12. UNITS MUST BE GLAZED PER ASTM E1300-04/09, SEE SHEET 9 FOR DETAILS.
13. APPROVED IMPACT PROTECTIVE SYSTEM IS NOT REQUIRED FOR THIS PRODUCT IN WIND BORNE DEBRIS REGIONS.
14. FOR ANCHORING THROUGH FRAME INTO WOOD FRAMING OR 2X BUCK USE #10 WOOD SCREWS WITH SUFFICIENT LENGTH TO ACHIEVE A 1 1/4" MINIMUM EMBEDMENT INTO

- SUBSTRATE. LOCATE ANCHORS AS SHOWN IN ELEVATIONS AND INSTALLATION DETAILS.
15. FOR ANCHORING THROUGH FRAME INTO MASONRY/CONCRETE USE 3/16" TAPCONS WITH SUFFICIENT LENGTH TO ACHIEVE A 1 1/4" MINIMUM EMBEDMENT INTO SUBSTRATE WITH 2" MINIMUM EDGE DISTANCE. LOCATE ANCHORS AS SHOWN IN ELEVATIONS AND INSTALLATION DETAILS.
 16. FOR ANCHORING THROUGH FRAME INTO METAL STRUCTURE USE #10 SMS OR SELF DRILLING SCREWS WITH SUFFICIENT LENGTH TO ACHIEVE 3 THREADS MINIMUM BEYOND STRUCTURE INTERIOR WALL. LOCATE ANCHORS AS SHOWN IN ELEVATIONS AND INSTALLATION DETAILS.
 17. ALL FASTENERS TO BE CORROSION RESISTANT.
 18. INSTALLATION ANCHORS SHALL BE INSTALLED IN ACCORDANCE WITH ANCHOR MANUFACTURER'S INSTALLATION INSTRUCTIONS AND ANCHORS SHALL NOT BE USED IN SUBSTRATES WITH STRENGTHS LESS THAN THE MINIMUM STRENGTH SPECIFIED BELOW:
 - A. WOOD: MINIMUM SPECIFIC GRAVITY OF G=0.42
 - B. CONCRETE: MINIMUM COMPRESSIVE STRENGTH OF 2,000 PSI.
 - C. MASONRY: HOLLOW/FILLED BLOCK PER ASTM C90 WITH Fm=2,000PSI MINIMUM.
 - D. METAL STRUCTURE: STEEL 18GA FY=33KSI/FU=52KSI OR ALUMINUM 6063-T5 FU=30KSI .048" THICK MINIMUM
 19. APPROVED CONFIGURATIONS: OXX/O, O/OXX, XXO/O, O/XXO, XX/O, O/XX, OX/O, O/OX, XO/O, O/XO, X/O, O/X, XX, X.

TABLE OF CONTENTS	
SHEET NO.	DESCRIPTION
1	NOTES
2	ELEVATION
3 - 9	INSTALLATION DETAILS
10	COMPONENTS

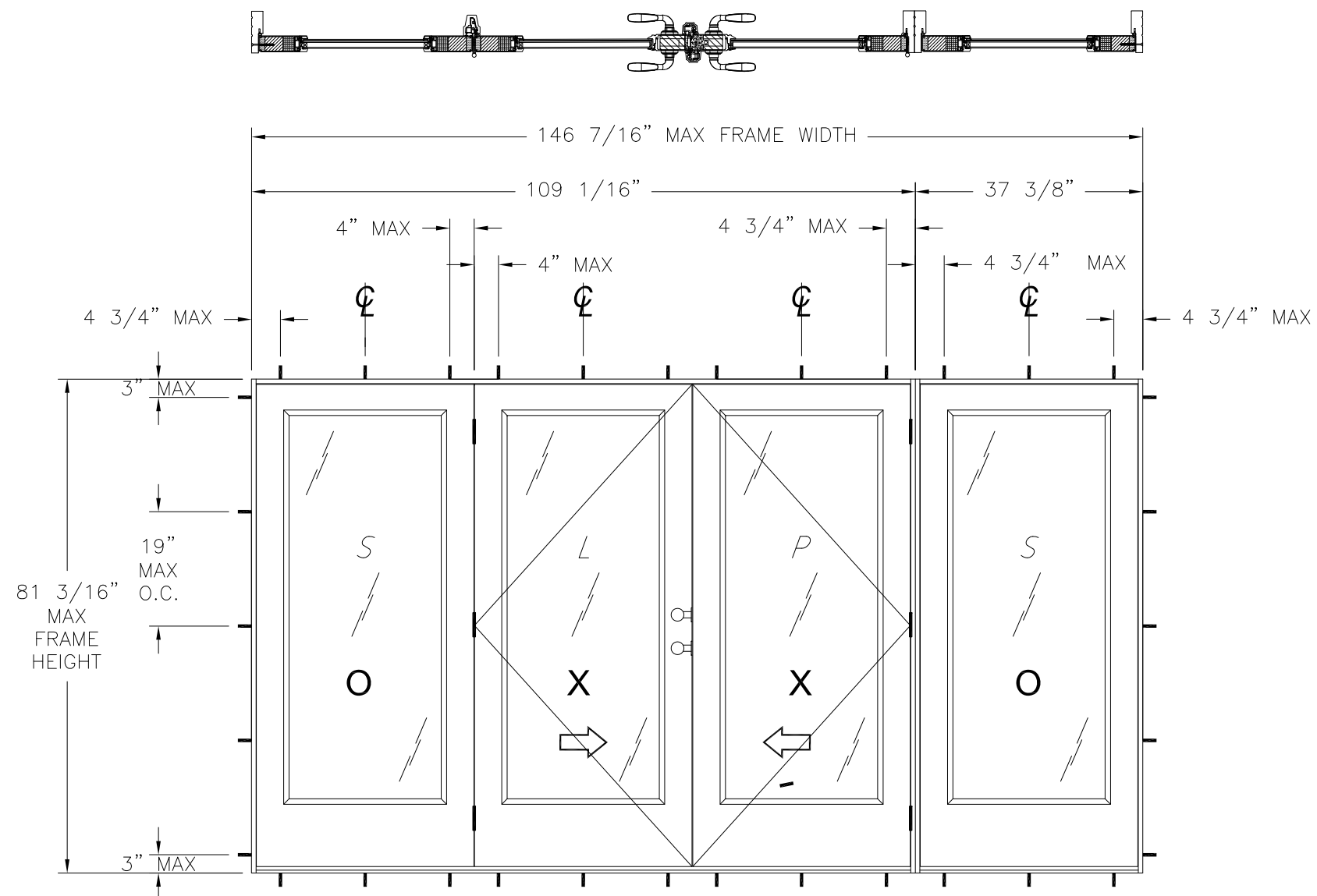
NAN YA PLASTICS CORP. USA 8989 NORTH LOOP EAST, SUITE 800 HOUSTON, TX 77029		
SERIES SLPS OUTSWING GLAZED FIBERGLASS SIDE-HINGED PATIO DOOR - IMPACT NOTES		
DRAWN: A.R.	DWG NO. 08-03125	REV A
SCALE NTS	DATE 07/27/17	SHEET 1 OF 10
L. ROBERTO LOMAS P.E. 1432 WOODFORD RD LEWISVILLE, NC 27023 434-688-0609 rllomas@rlomaspe.com		

SIGNED: 07/24/2018



Luis R. Lomas P.E.
TX No.: 101889

REVISIONS			
REV	DESCRIPTION	DATE	APPROVED
A	UPDATED COMPONENTS AND DETAILS	06/19/18	R.L.



SERIES SLPS OS GLAZED FIBERGLASS SIDE-HINGED PATIO DOOR - IMPACT
 EXTERIOR VIEW

DESIGN PRESSURE RATING	IMPACT RATING
±50PSF	LARGE MISSILE IMPACT

MISSILE LEVEL D, WIND ZONE 4

35 3/4" X 79 1/4" PANELS SHOWN. OTHER PANEL SIZES ARE APPROVED AS LONG AS PANEL AREA DOES NOT EXCEED 19.67 FT²

NOTES:

- PANEL SIZE: 35 3/4" X 79 1/4"
- D.L.O.: 25" X 63"

HARDWARE SCHEDULE

A.	(1) HANDLE SETS AT ACTIVE PANELS 56 1/2" FROM FRAME HEAD
B.	(1) TOP/BOTTOM BAR KEEPER AT FRAME HEAD AND SILL
C.	(1) DOOR DEADBOLT (SS92Y BY MICOTA TECH) WITH KEEPER
D.	(1) DOOR LATCH (SS92Y BY MICOTA TECH) WITH KEEPER
E.	(1) FLUSH BOLT MECHANISM (SS93X BY MICOTA TECH) AT TOP AND BOTTOM OF PASSIVE DOOR PANEL
F.	(1) DRIVE BAR PLATE

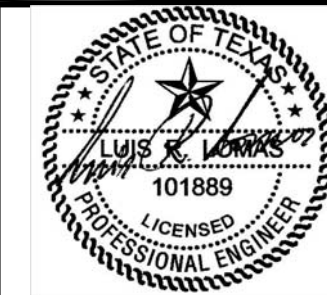
SIGNED: 07/24/2018

NAN YA PLASTICS CORP. USA
 8989 NORTH LOOP EAST, SUITE 800
 HOUSTON, TX 77029

SERIES SLPS OUTSWING GLAZED FIBERGLASS
 SIDE-HINGED PATIO DOOR - IMPACT
 ELEVATION

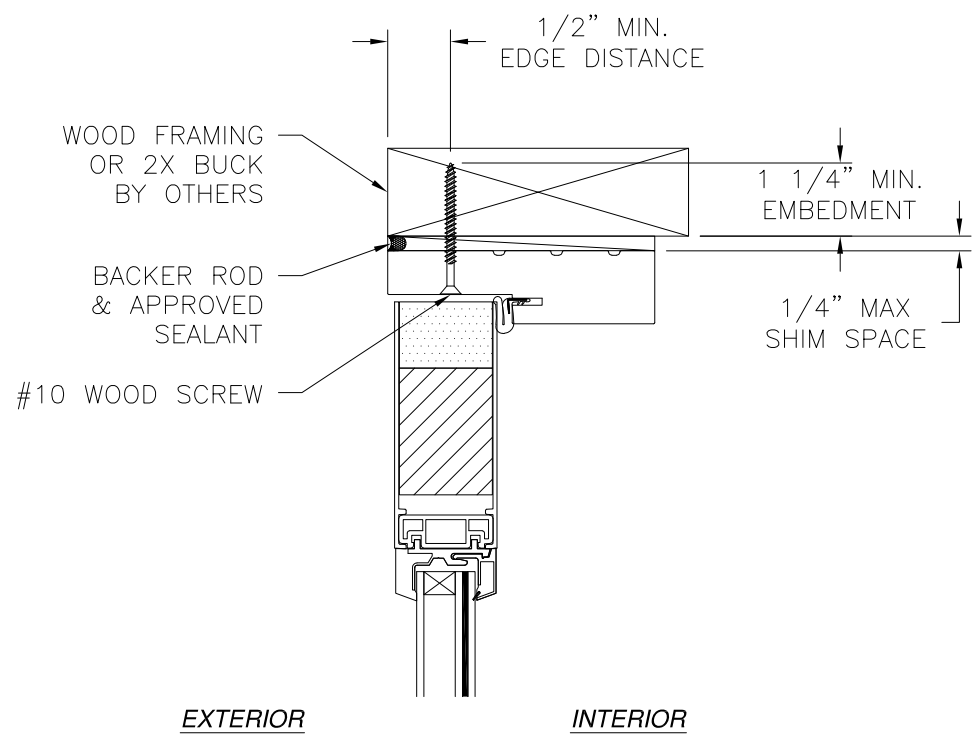
DRAWN: A.R.	DWG NO. 08-03125	REV A
SCALE NTS	DATE 07/27/17	SHEET 2 OF 10

L. ROBERTO LOMAS P.E.
 1432 WOODFORD RD LEWISVILLE, NC 27023
 434-688-0609 rllomas@lrlomaspe.com

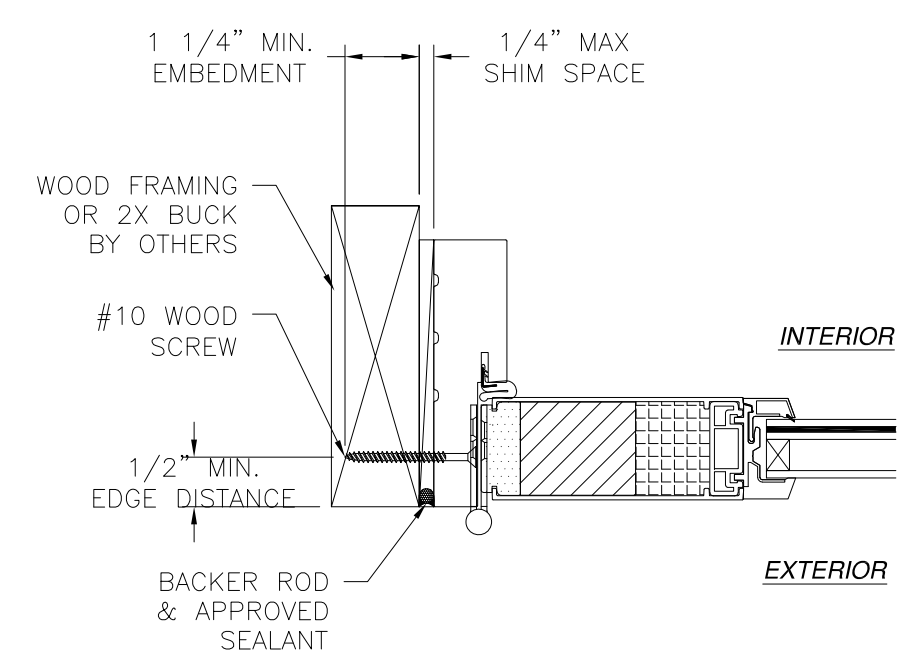


Luis R. Lomas P.E.
 TX No.: 101889

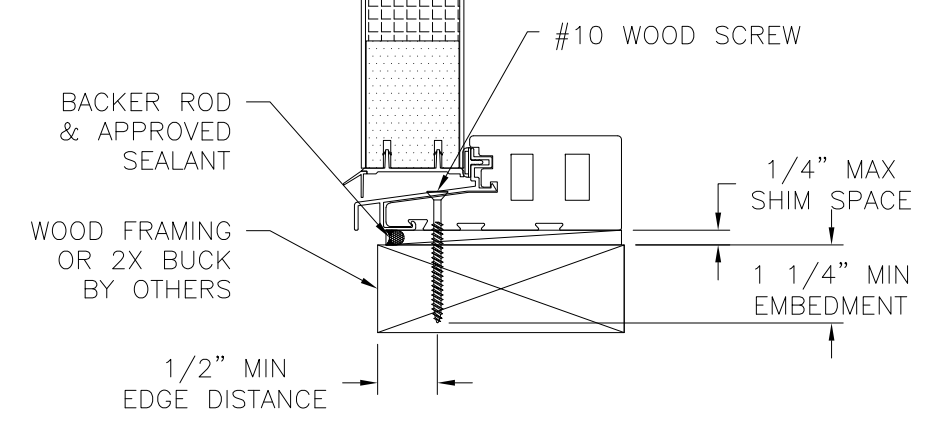
REVISIONS			
REV	DESCRIPTION	DATE	APPROVED
A	UPDATED COMPONENTS AND DETAILS	06/19/18	R.L.



EXTERIOR INTERIOR



JAMB INSTALLATION DETAIL
WOOD FRAMING OR 2X BUCK INSTALLATION



VERTICAL CROSS SECTION
WOOD FRAMING OR 2X BUCK INSTALLATION

- NOTES:**
1. INTERIOR AND EXTERIOR FINISHES, BY OTHERS, NOT SHOWN FOR CLARITY.
 2. PERIMETER AND JOINT SEALANT BY OTHERS TO BE DESIGNED IN ACCORDANCE WITH ASTM E2112

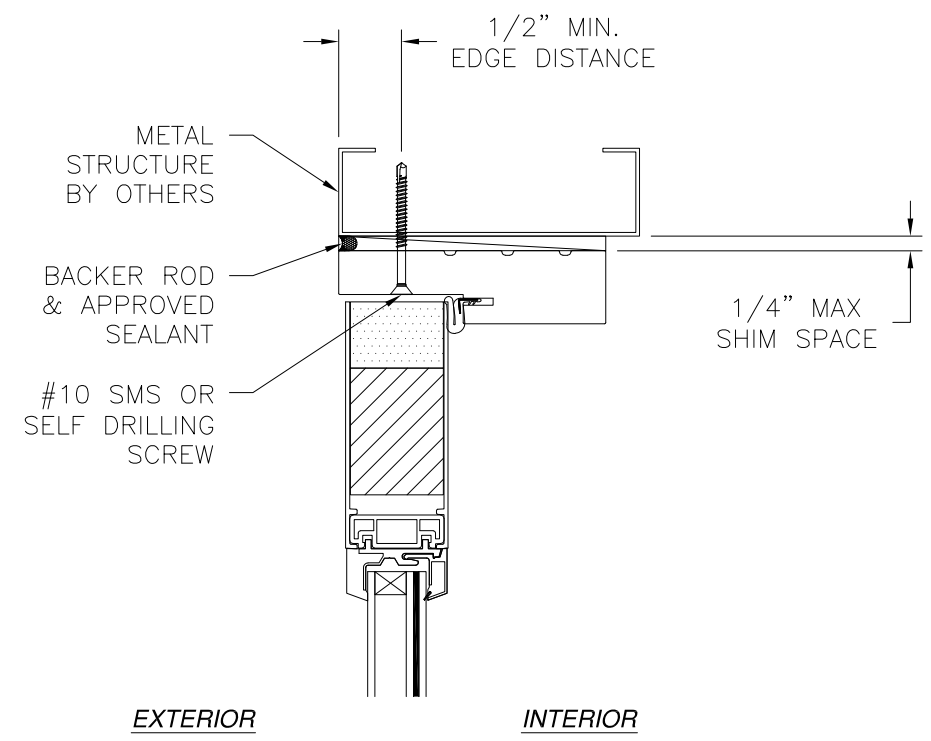
<p>NAN YA PLASTICS CORP. USA 8989 NORTH LOOP EAST, SUITE 800 HOUSTON, TX 77029</p>		
<p>SERIES SLPS OUTSWING GLAZED FIBERGLASS SIDE-HINGED PATIO DOOR – IMPACT DOOR INSTALLATION DETAILS</p>		
DRAWN: A.R.	DWG NO. 08-03125	REV A
SCALE NTS	DATE 07/27/17	SHEET 3 OF 10
<p>L. ROBERTO LOMAS P.E. 1432 WOODFORD RD LEWISVILLE, NC 27023 434-688-0609 rllomas@lrlomaspe.com</p>		

SIGNED: 07/24/2018

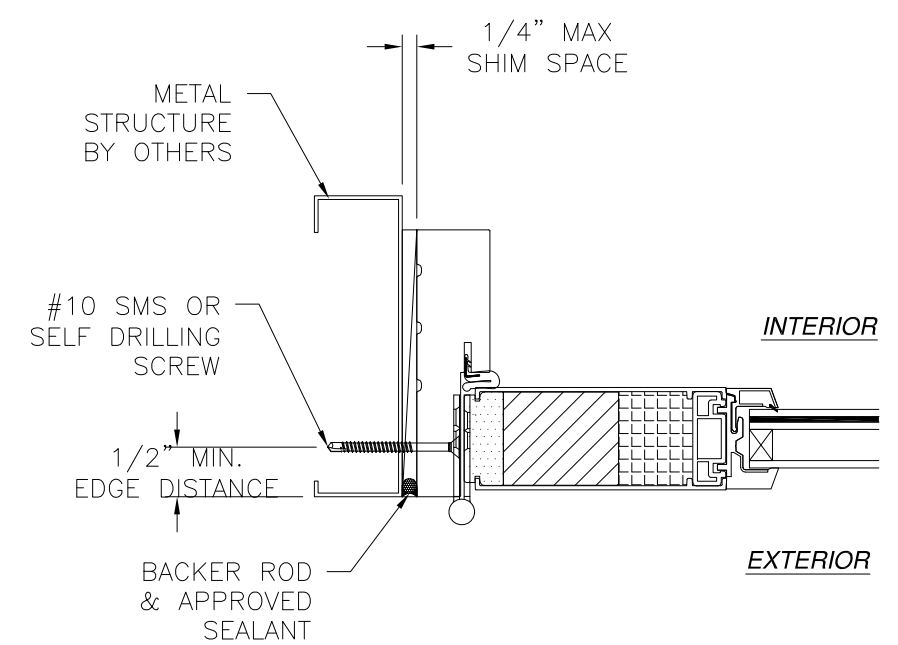


Luis R. Lomas P.E.
TX No.: 101889

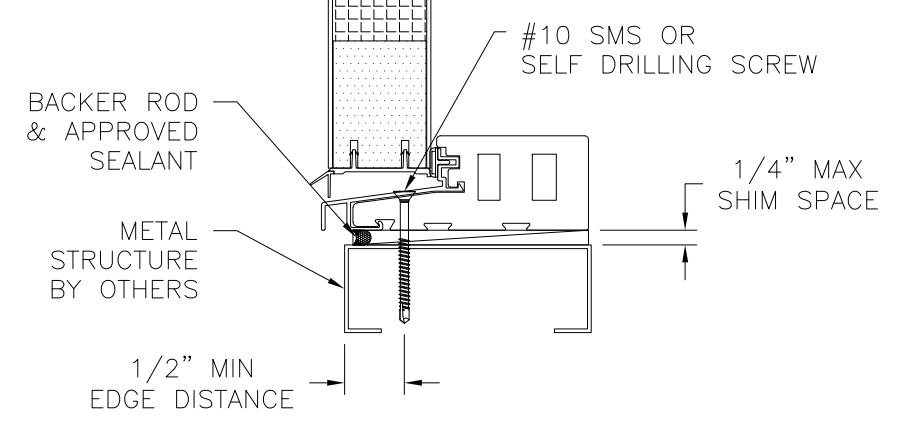
REVISIONS			
REV	DESCRIPTION	DATE	APPROVED
A	UPDATED COMPONENTS AND DETAILS	06/19/18	R.L.



EXTERIOR INTERIOR



JAMB INSTALLATION DETAIL
METAL STRUCTURE INSTALLATION



VERTICAL CROSS SECTION
METAL STRUCTURE INSTALLATION

- NOTES:**
- INTERIOR AND EXTERIOR FINISHES, BY OTHERS, NOT SHOWN FOR CLARITY.
 - PERIMETER AND JOINT SEALANT BY OTHERS TO BE DESIGNED IN ACCORDANCE WITH ASTM E2112

NAN YA PLASTICS CORP. USA
8989 NORTH LOOP EAST, SUITE 800
HOUSTON, TX 77029

SERIES SLPS OUTSWING GLAZED FIBERGLASS
SIDE-HINGED PATIO DOOR – IMPACT
DOOR INSTALLATION DETAILS

DRAWN: A.R.	DWG NO. 08-03125	REV A
SCALE NTS	DATE 07/27/17	SHEET 4 OF 10

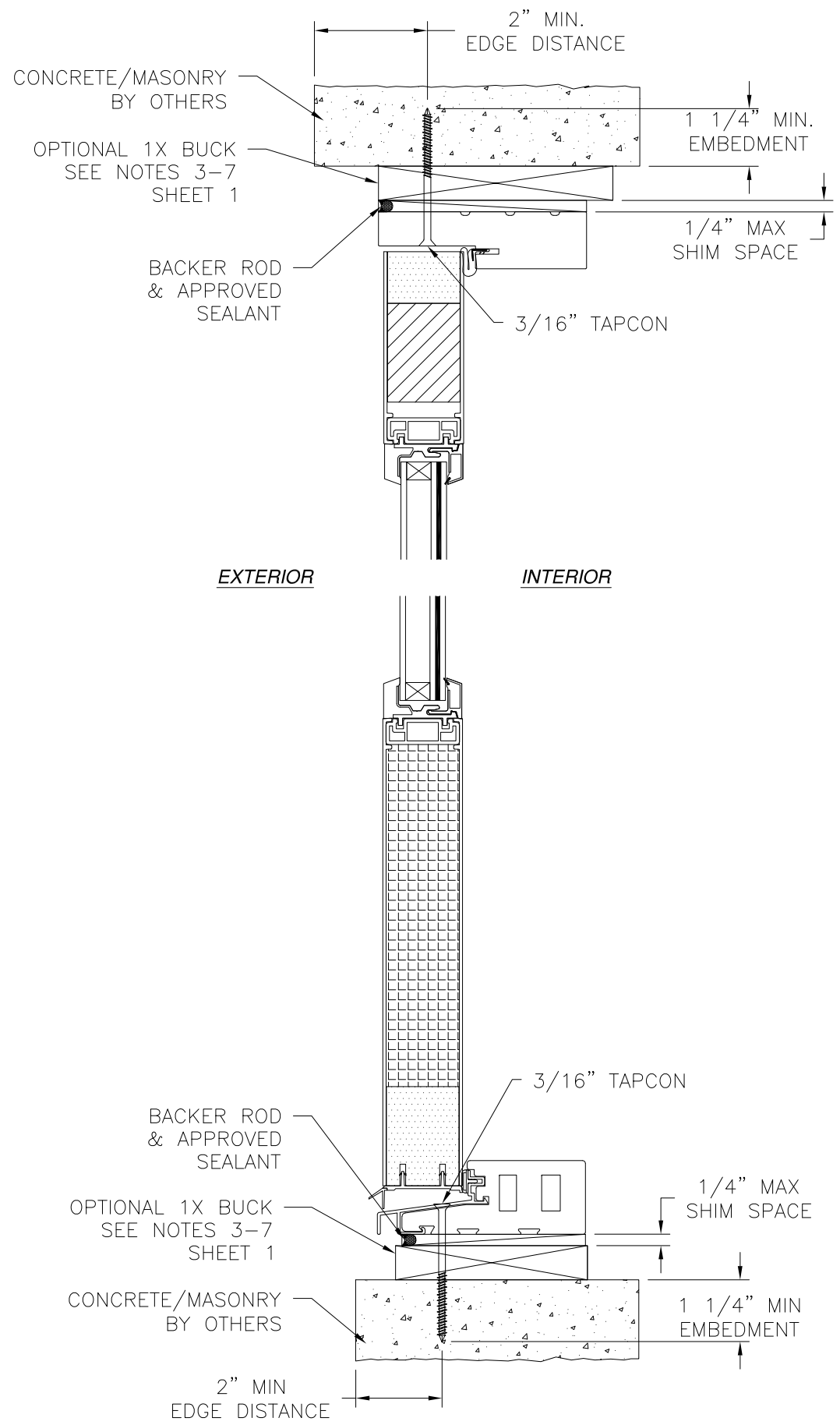
L. ROBERTO LOMAS P.E.
1432 WOODFORD RD LEWISVILLE, NC 27023
434-688-0609 rllomas@lrlomaspe.com

SIGNED: 07/24/2018

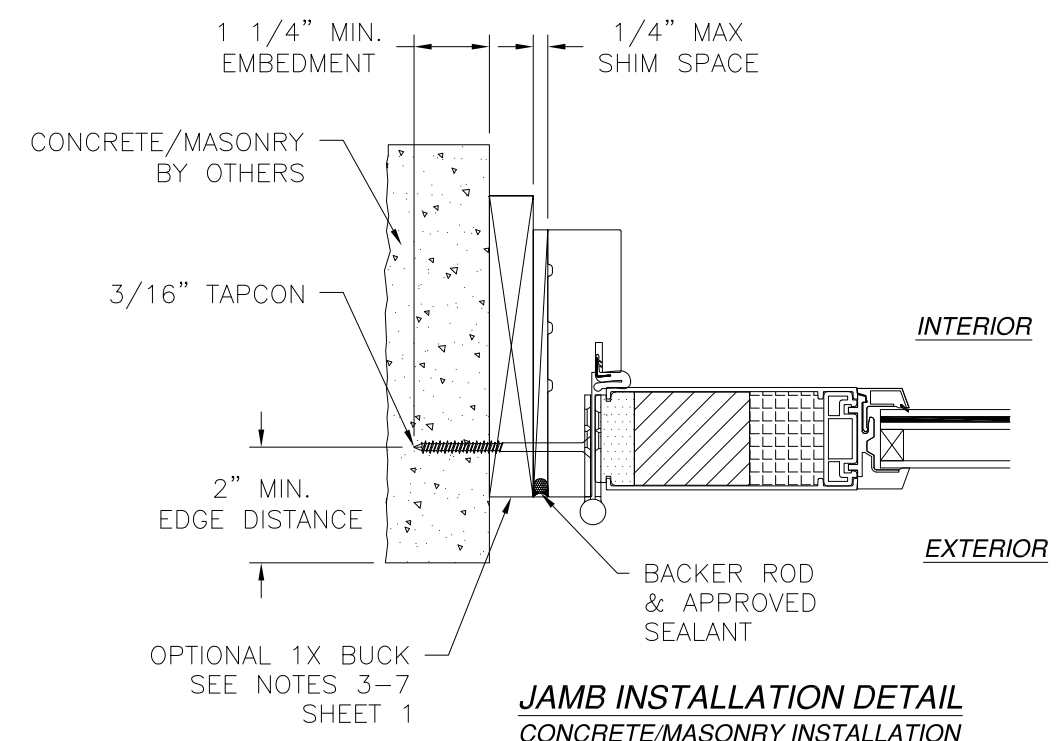


Luis R. Lomas P.E.
TX No.: 101889

REVISIONS			
REV	DESCRIPTION	DATE	APPROVED
A	UPDATED COMPONENTS AND DETAILS	06/19/18	R.L.



**VERTICAL CROSS SECTION
CONCRETE/MASONRY INSTALLATION**



**JAMB INSTALLATION DETAIL
CONCRETE/MASONRY INSTALLATION**

- NOTES:**
1. INTERIOR AND EXTERIOR FINISHES, BY OTHERS, NOT SHOWN FOR CLARITY.
 2. PERIMETER AND JOINT SEALANT BY OTHERS TO BE DESIGNED IN ACCORDANCE WITH ASTM E2112

NAN YA PLASTICS CORP. USA
8989 NORTH LOOP EAST, SUITE 800
HOUSTON, TX 77029

SERIES SLPS OUTSWING GLAZED FIBERGLASS
SIDE-HINGED PATIO DOOR - IMPACT
DOOR INSTALLATION DETAILS

DRAWN: A.R.	DWG NO. 08-03125	REV A
SCALE NTS	DATE 07/27/17	SHEET 5 OF 10

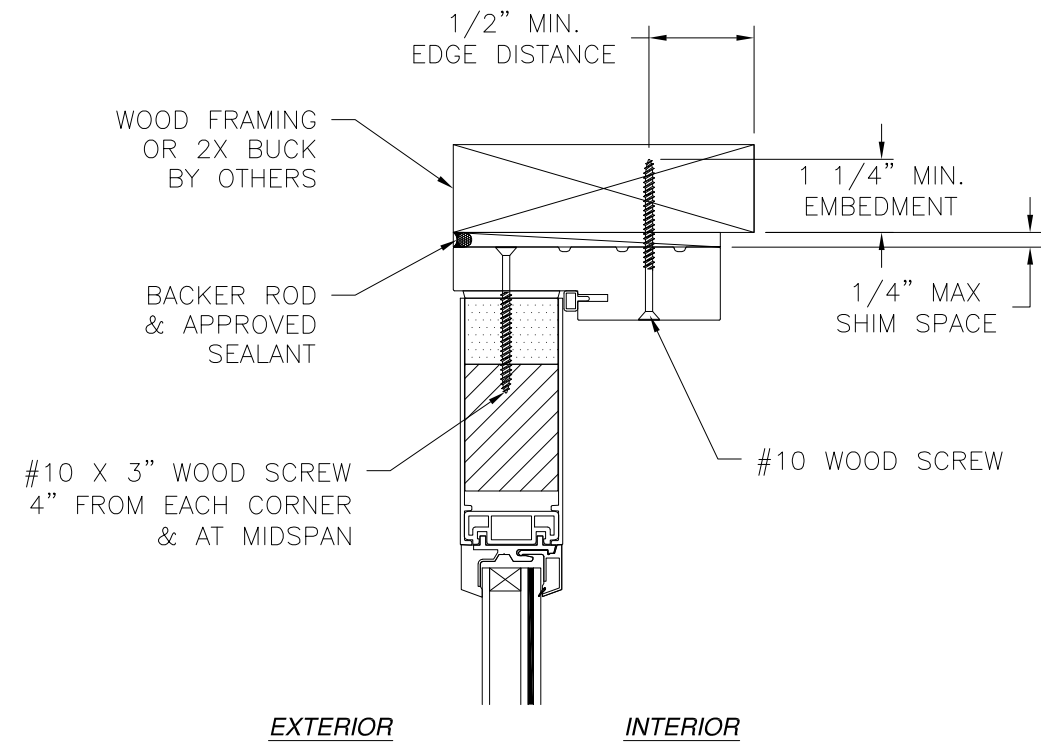
L. ROBERTO LOMAS P.E.
1432 WOODFORD RD LEWISVILLE, NC 27023
434-688-0609 rllomas@lrlomaspe.com

SIGNED: 07/24/2018

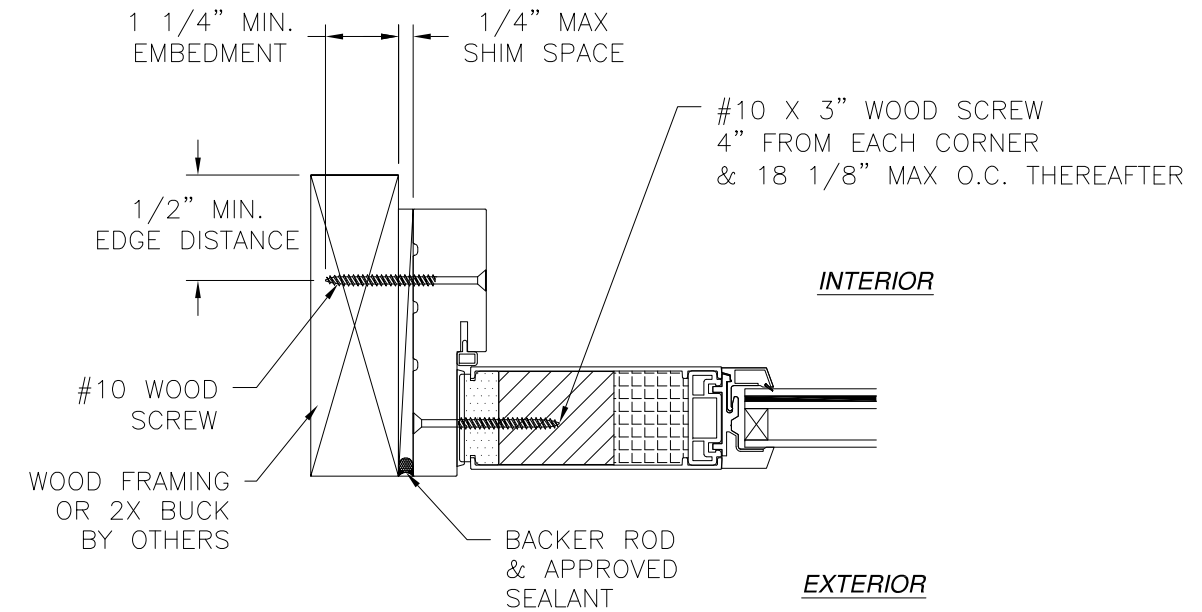


Luis R. Lomas P.E.
TX No.: 101889

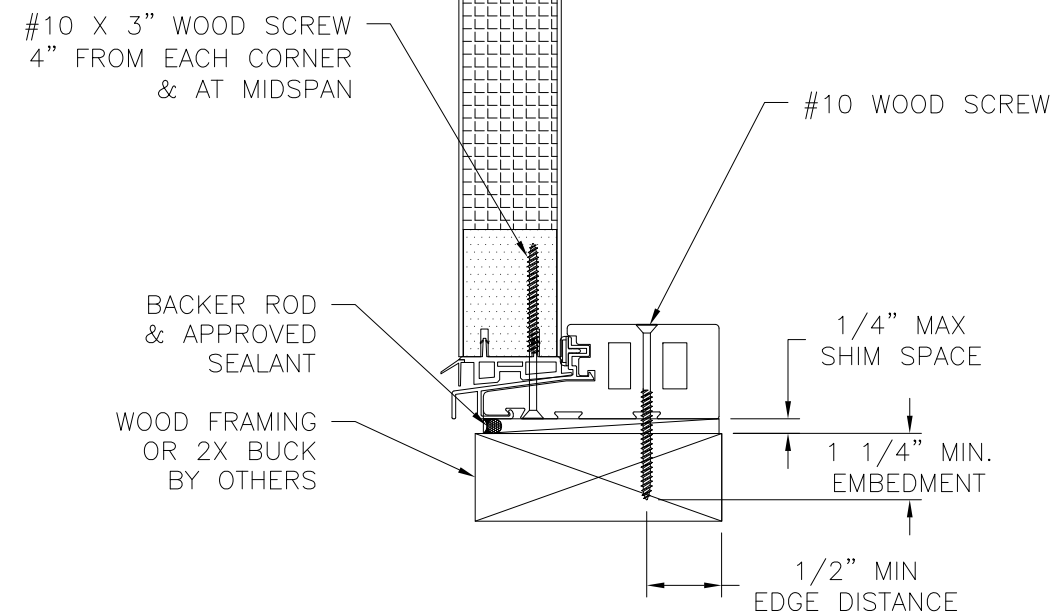
REVISIONS			
REV	DESCRIPTION	DATE	APPROVED
A	UPDATED COMPONENTS AND DETAILS	06/19/18	R.L.



EXTERIOR INTERIOR



JAMB INSTALLATION DETAIL
WOOD FRAMING OR 2X BUCK INSTALLATION



VERTICAL CROSS SECTION
WOOD FRAMING OR 2X BUCK INSTALLATION

NOTES:

1. INTERIOR AND EXTERIOR FINISHES, BY OTHERS, NOT SHOWN FOR CLARITY.
2. PERIMETER AND JOINT SEALANT BY OTHERS TO BE DESIGNED IN ACCORDANCE WITH ASTM E2112

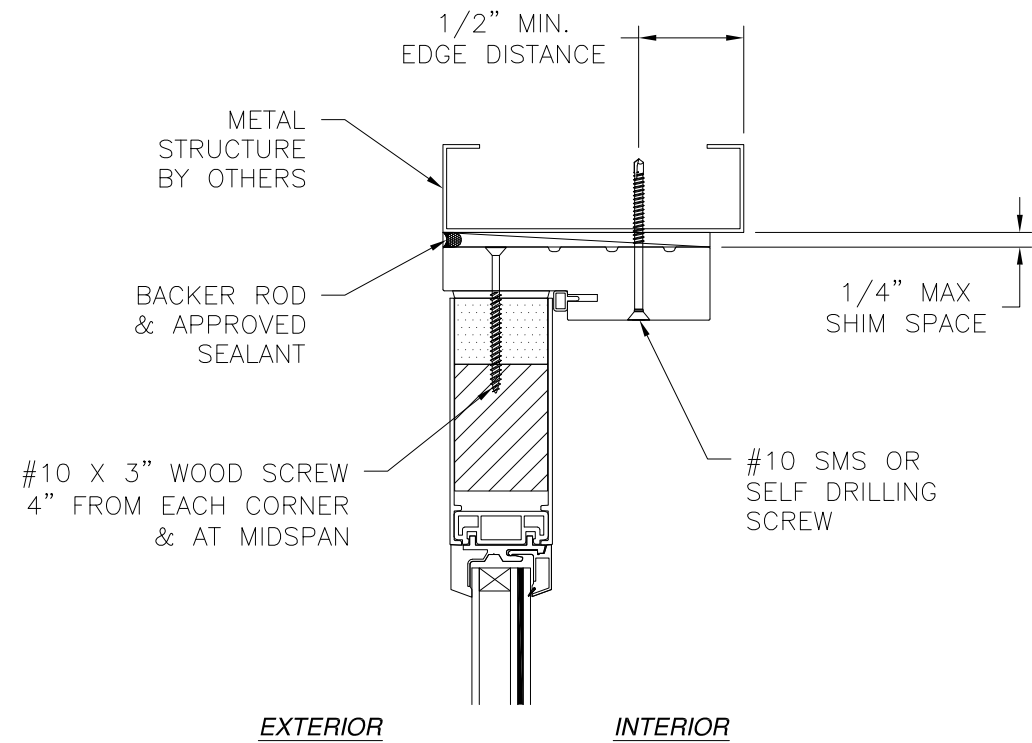
SIGNED: 07/24/2018

<p>NAN YA PLASTICS CORP. USA 8989 NORTH LOOP EAST, SUITE 800 HOUSTON, TX 77029</p>		
<p>SERIES SLPS OUTSWING GLAZED FIBERGLASS SIDE-HINGED PATIO DOOR – IMPACT SIDELITE INSTALLATION DETAILS</p>		
DRAWN: A.R.	DWG NO. 08-03125	REV A
SCALE NTS	DATE 07/27/17	SHEET 6 OF 10
<p>L. ROBERTO LOMAS P.E. 1432 WOODFORD RD LEWISVILLE, NC 27023 434-688-0609 rllomas@lrlomaspe.com</p>		

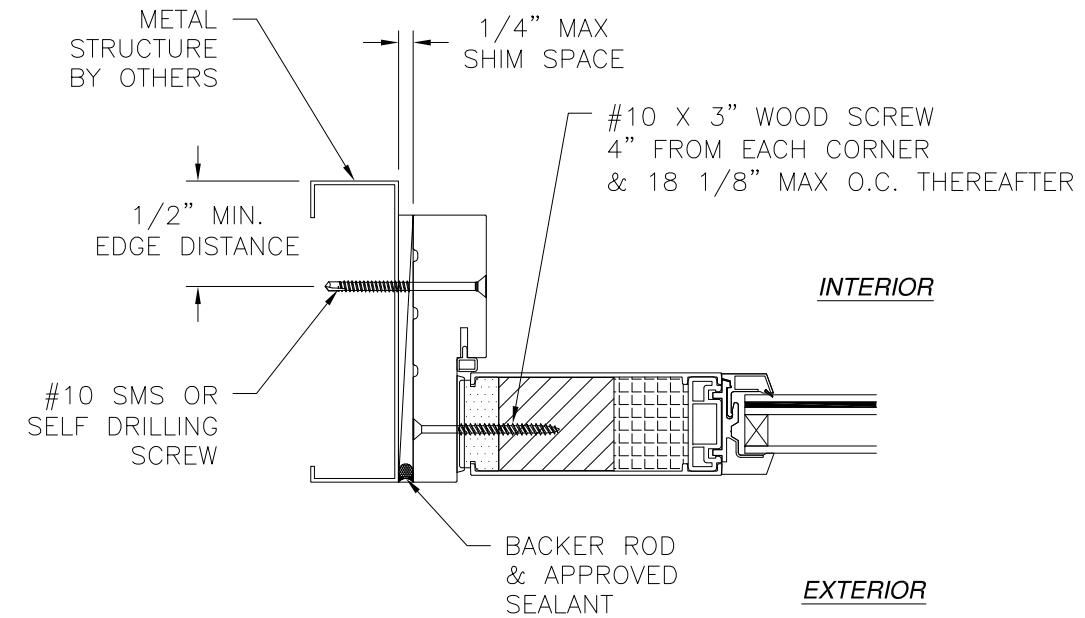


Luis R. Lomas P.E.
TX No.: 101889

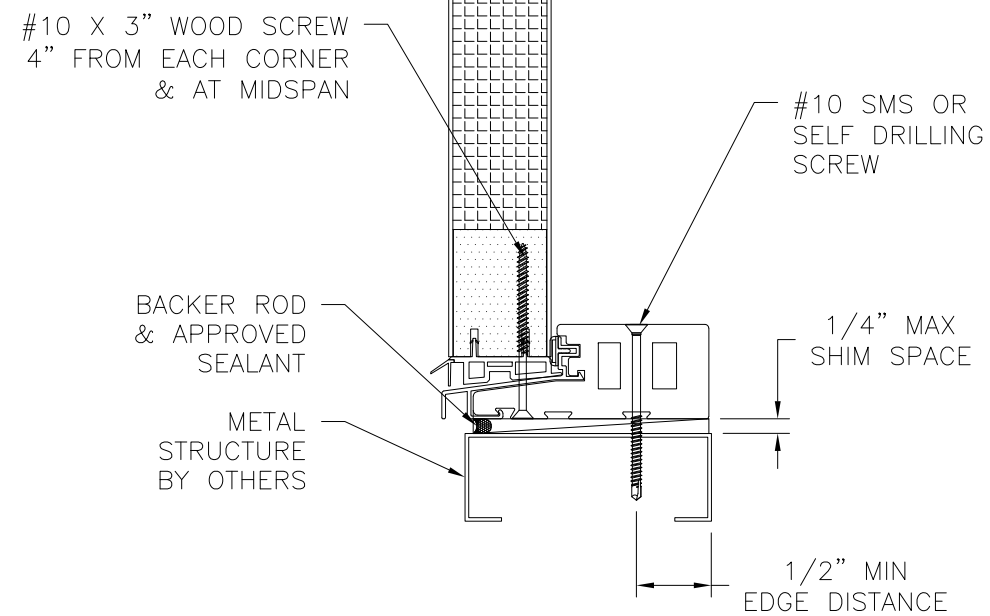
REVISIONS			
REV	DESCRIPTION	DATE	APPROVED
A	UPDATED COMPONENTS AND DETAILS	06/19/18	R.L.



EXTERIOR INTERIOR



JAMB INSTALLATION DETAIL
METAL STRUCTURE INSTALLATION



VERTICAL CROSS SECTION
METAL STRUCTURE INSTALLATION

NOTES:

1. INTERIOR AND EXTERIOR FINISHES, BY OTHERS, NOT SHOWN FOR CLARITY.
2. PERIMETER AND JOINT SEALANT BY OTHERS TO BE DESIGNED IN ACCORDANCE WITH ASTM E2112

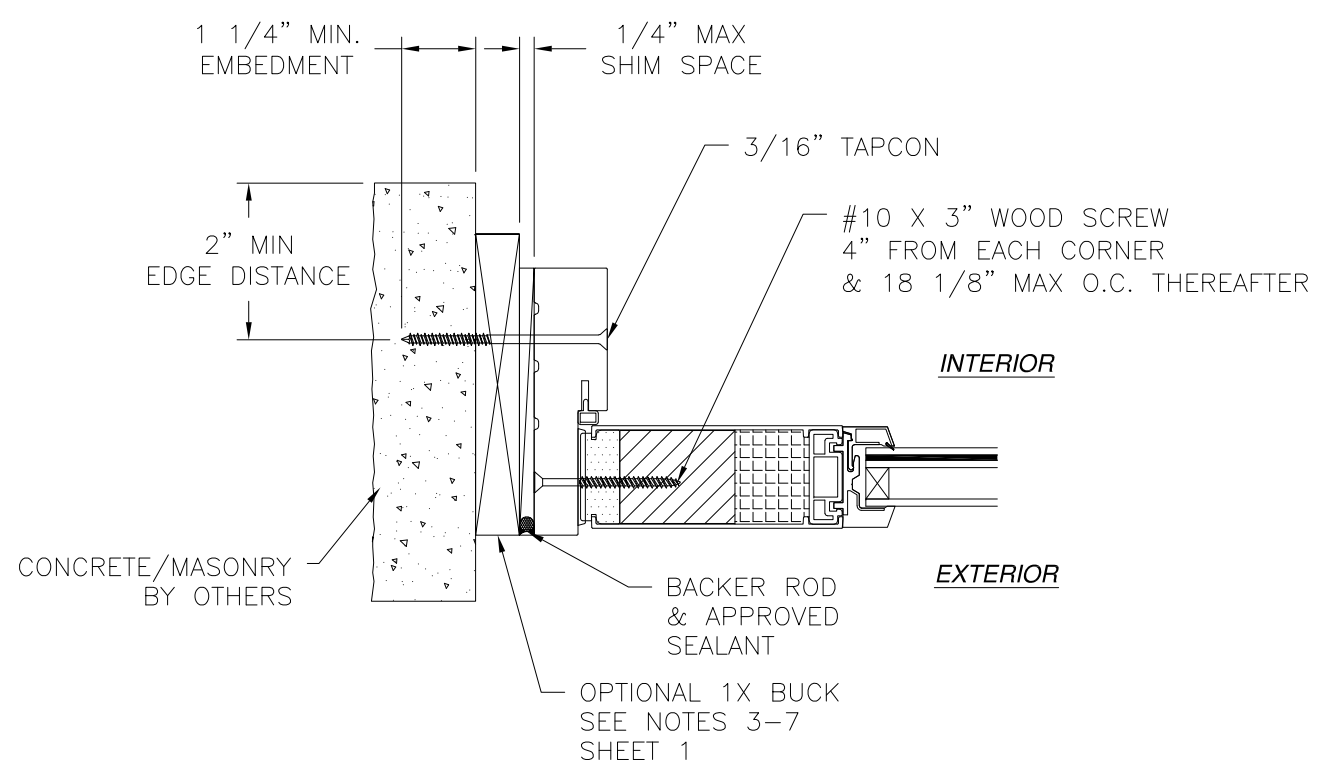
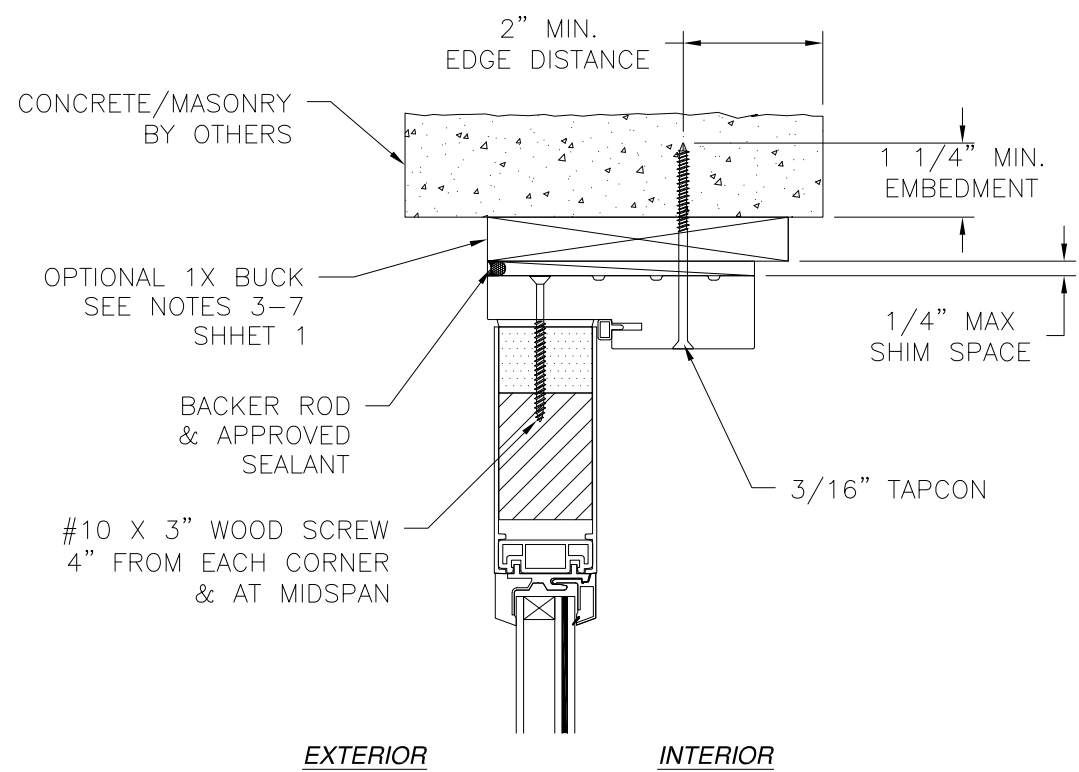
SIGNED: 07/24/2018

<p>NAN YA PLASTICS CORP. USA 8989 NORTH LOOP EAST, SUITE 800 HOUSTON, TX 77029</p>		
<p>SERIES SLPS OUTSWING GLAZED FIBERGLASS SIDE-HINGED PATIO DOOR – IMPACT SIDELITE INSTALLATION DETAILS</p>		
DRAWN: A.R.	DWG NO. 08-03125	REV A
SCALE NTS	DATE 07/27/17	SHEET 7 OF 10
<p>L. ROBERTO LOMAS P.E. 1432 WOODFORD RD LEWISVILLE, NC 27023 434-688-0609 rllomas@rlomaspe.com</p>		

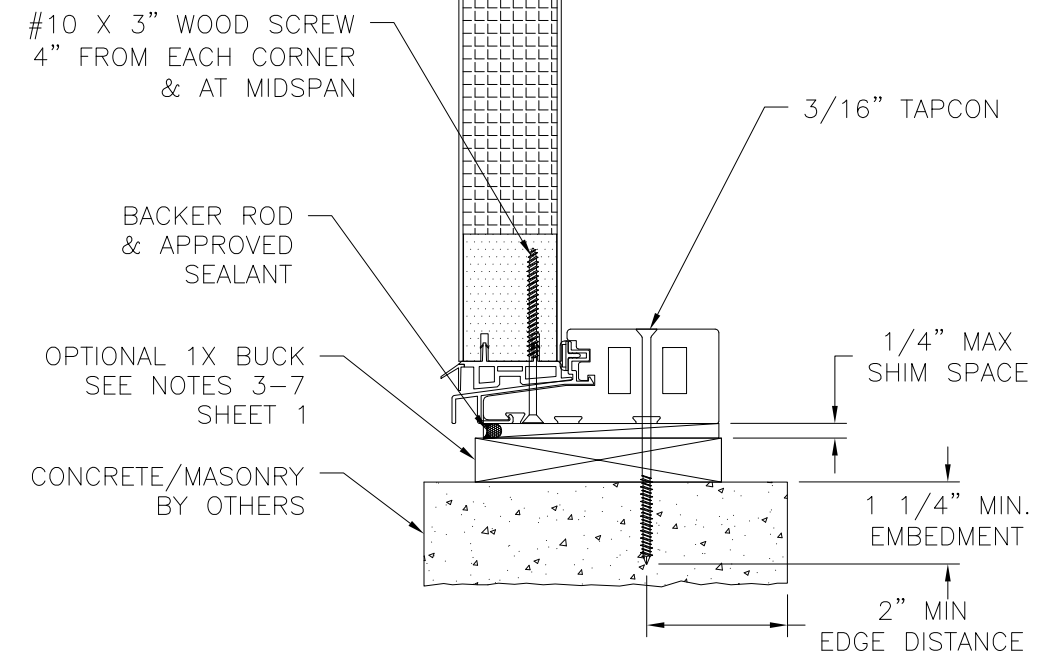


Luis R. Lomas P.E.
TX No.: 101889

REVISIONS			
REV	DESCRIPTION	DATE	APPROVED
A	UPDATED COMPONENTS AND DETAILS	06/19/18	R.L.



JAMB INSTALLATION DETAIL
CONCRETE/MASONRY INSTALLATION



VERTICAL CROSS SECTION
CONCRETE/MASONRY INSTALLATION

- NOTES:**
1. INTERIOR AND EXTERIOR FINISHES, BY OTHERS, NOT SHOWN FOR CLARITY.
 2. PERIMETER AND JOINT SEALANT BY OTHERS TO BE DESIGNED IN ACCORDANCE WITH ASTM E2112

SIGNED: 07/24/2018

NAN YA PLASTICS CORP. USA
8989 NORTH LOOP EAST, SUITE 800
HOUSTON, TX 77029

SERIES SLPS OUTSWING GLAZED FIBERGLASS
SIDE-HINGED PATIO DOOR – IMPACT
SIDELITE INSTALLATION DETAILS

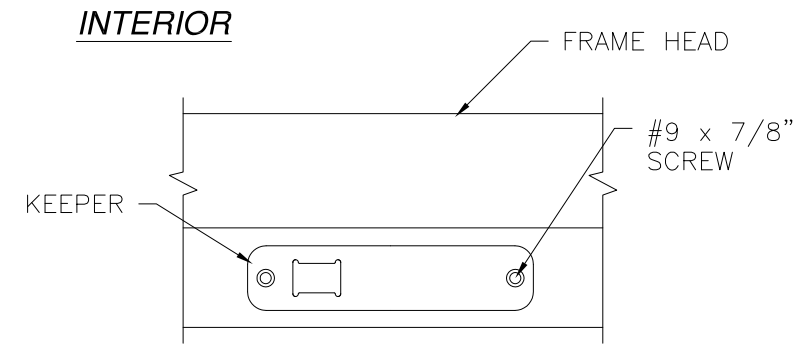
DRAWN: A.R.	DWG NO. 08-03125	REV A
SCALE NTS	DATE 07/27/17	SHEET 8 OF 10

L. ROBERTO LOMAS P.E.
1432 WOODFORD RD LEWISVILLE, NC 27023
434-688-0609 rllomas@rlomaspe.com



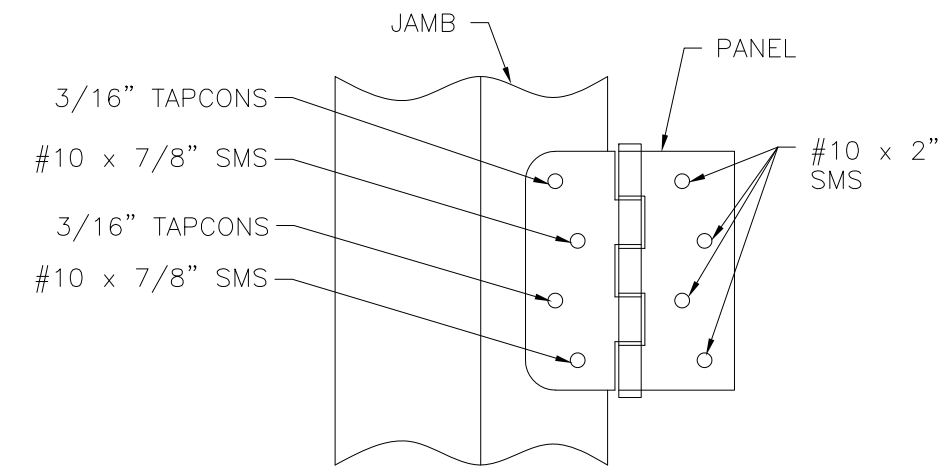
Luis R. Lomas P.E.
TX No.: 101889

REVISIONS			
REV	DESCRIPTION	DATE	APPROVED
A	UPDATED COMPONENTS AND DETAILS	06/19/18	R.L.

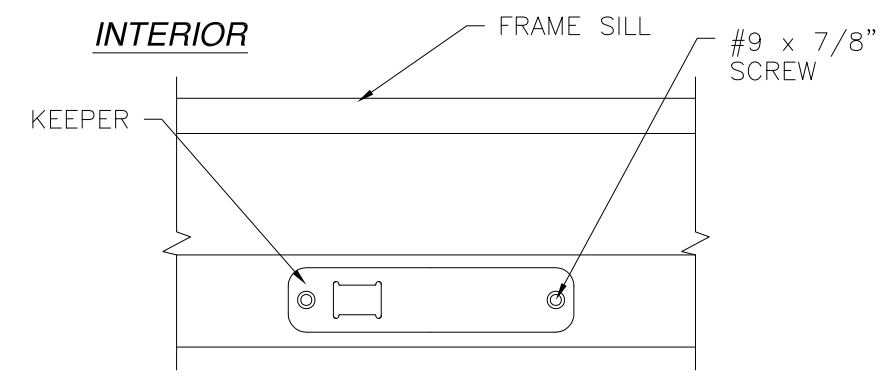


EXTERIOR

HEAD KEEPER DETAIL

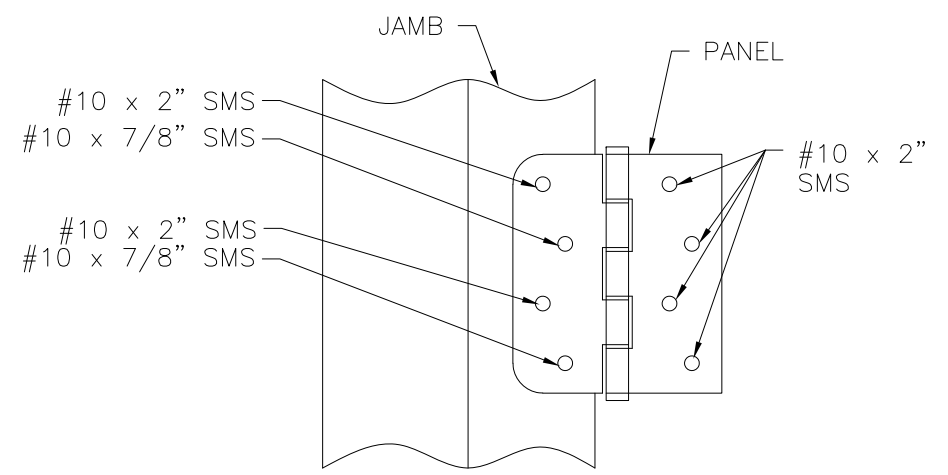


HINGE INSTALLATION DETAIL
MASONRY/CONCRETE INSTALLATION

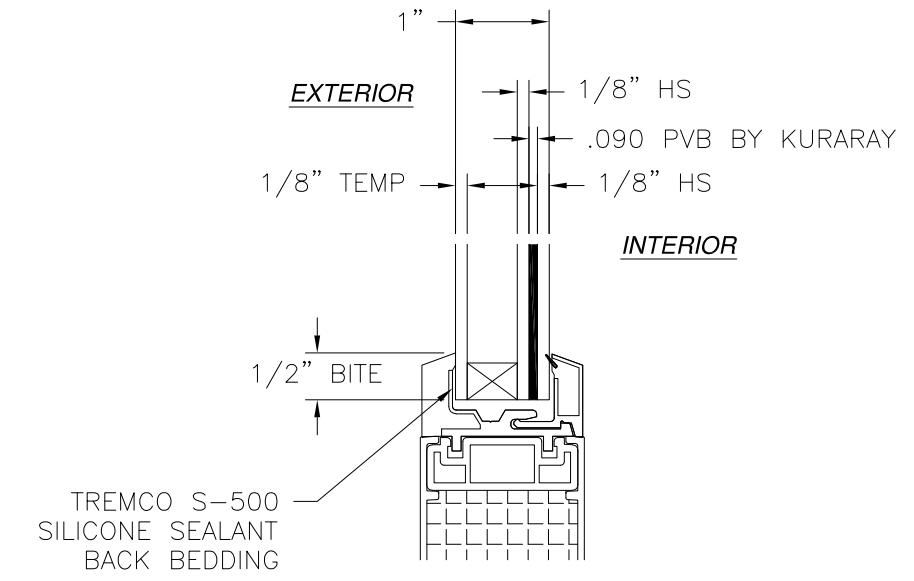


EXTERIOR

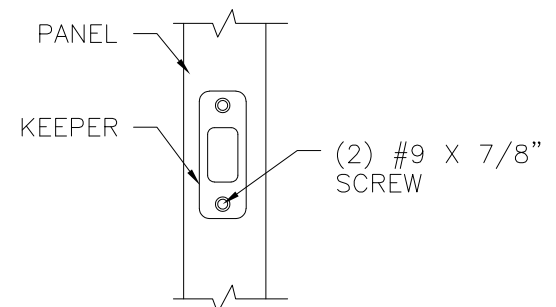
SILL KEEPER DETAIL



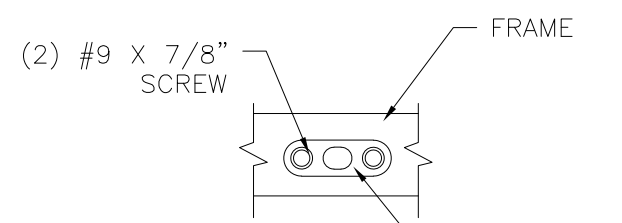
HINGE INSTALLATION DETAIL
WOOD FRAMING INSTALLATION



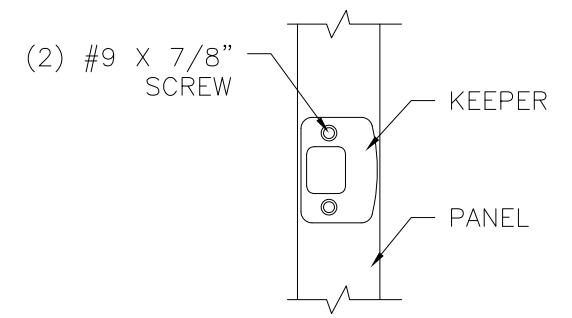
GLAZING DETAIL



DEADBOLT KEEPER DETAIL



DRIVE BAR PLATE DETAIL



LATCH KEEPER DETAIL

SIGNED: 07/24/2018

NAN YA PLASTICS CORP. USA
8989 NORTH LOOP EAST, SUITE 800
HOUSTON, TX 77029

SERIES SLPS OUTSWING GLAZED FIBERGLASS
SIDE-HINGED PATIO DOOR - IMPACT
INSTALLATION AND GLAZING DETAIL

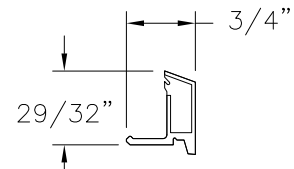
DRAWN: A.R.	DWG NO. 08-03125	REV A
SCALE NTS	DATE 07/27/17	SHEET 9 OF 10

L. ROBERTO LOMAS P.E.
1432 WOODFORD RD LEWISVILLE, NC 27023
434-688-0609 rllomas@lrlomaspe.com

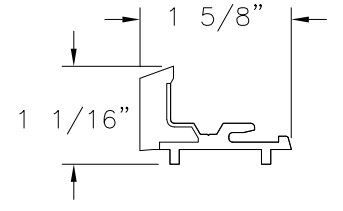


Luis R. Lomas P.E.
TX No.: 101889

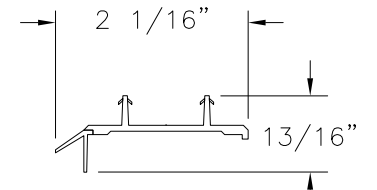
REVISIONS			
REV	DESCRIPTION	DATE	APPROVED
A	UPDATED COMPONENTS AND DETAILS	06/19/18	R.L.



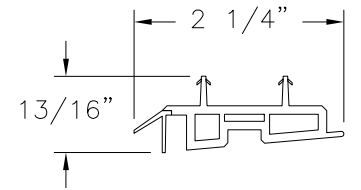
GLAZING BEAD
FOAM PVC



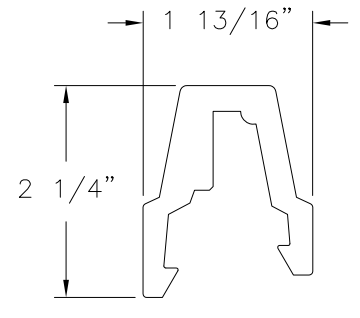
GLAZING FRAME
FOAM PVC



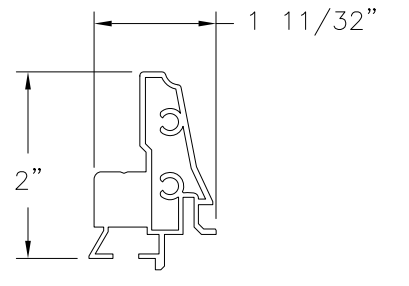
DOOR BOTTOM (A)
RIGID PVC CO-EX



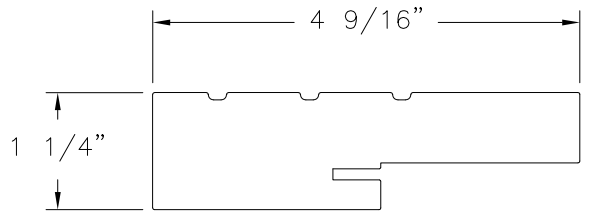
DOOR BOTTOM-(B)
RIGID PVC CO-EX



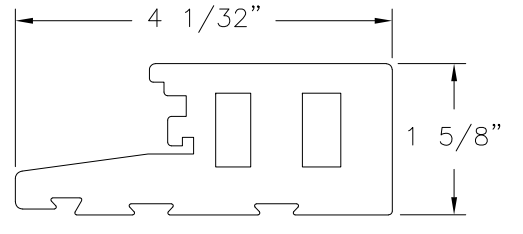
MULLION COVER (B)
FOAM PVC



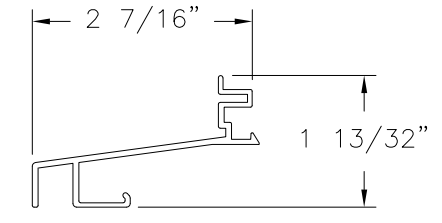
REINFORCEMENT (B)
ALUMINUM



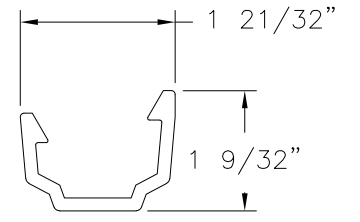
HEAD FRAME & JAMB
FOAM PVC CO-EX



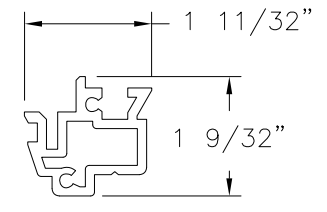
OUTSWING SILL-(A)
FOAM PVC CO-EX



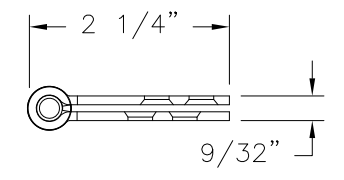
OUTSWING SILL-(B)
ALUMINUM



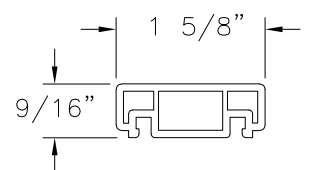
T-ASTRAGAL
RIGID PVC



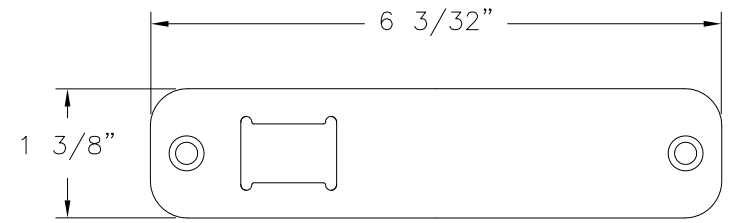
REINFORCEMENT (A)
ALUMINUM



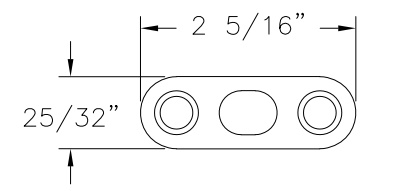
DOOR HINGE
STEEL



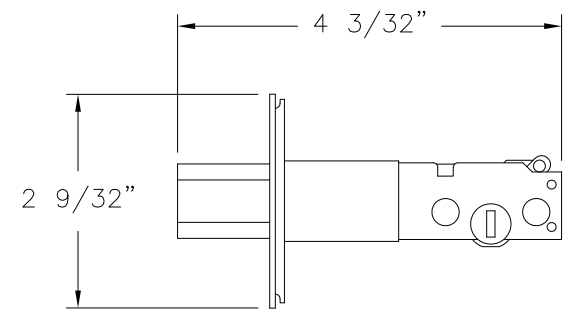
GLAZING BASE
PVC



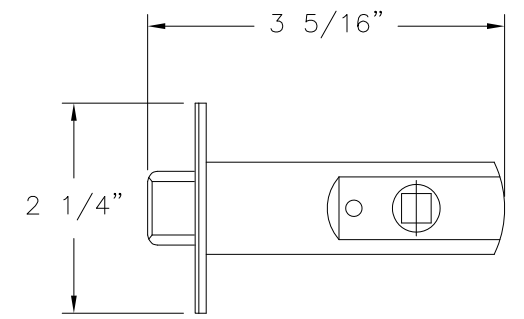
TOP/BOTTOM BAR KEEPER
STAINLESS STEEL



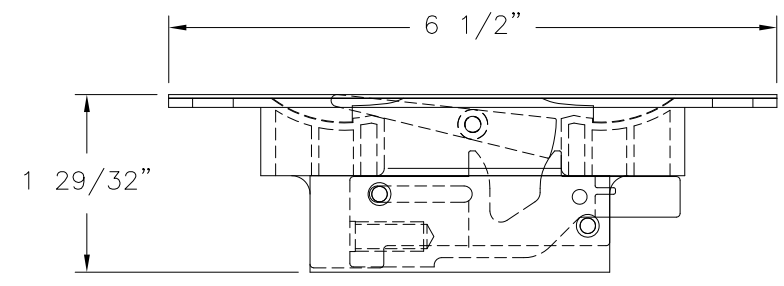
DRIVE BAR PLATE
STAINLESS STEEL



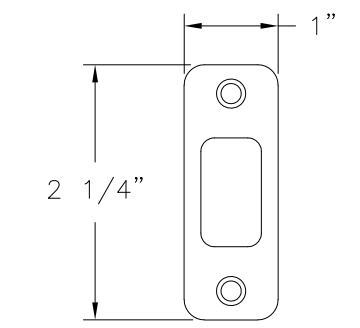
DOOR DEADBOLT
STEEL



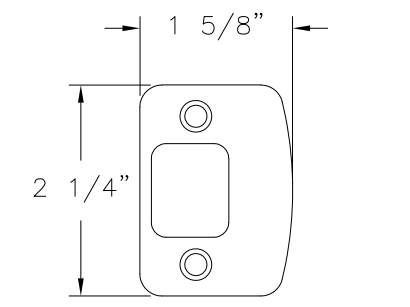
DOOR LATCH
STEEL



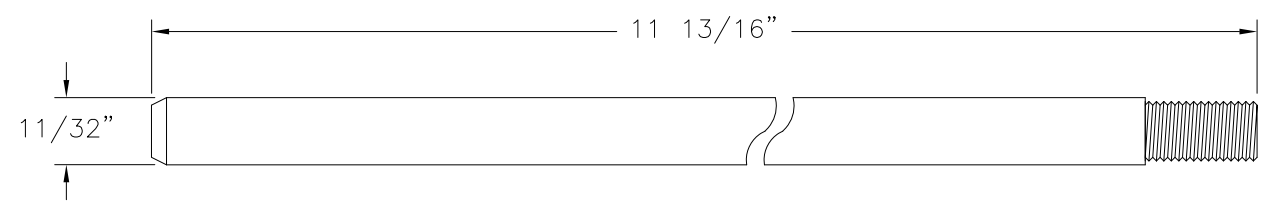
FLUSH BOLT MECHANISM
DIE CAST, STEEL, POM



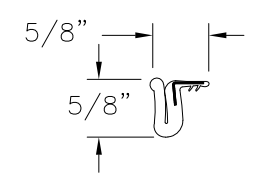
DOOR DEADBOLT KEEPER
STEEL



DOOR LATCH KEEPER
STEEL



FLUSH BOLT BAR
STAINLESS STEEL



WEATHER STRIP (B)
FOAM PU, PE FILM

SIGNED: 07/24/2018

NAN YA PLASTICS CORP. USA
8989 NORTH LOOP EAST, SUITE 800
HOUSTON, TX 77029

SERIES SLPS OUTSWING GLAZED FIBERGLASS
SIDE-HINGED PATIO DOOR - IMPACT
COMPONENTS

DRAWN: A.R.	DWG NO. 08-03125	REV A
SCALE NTS	DATE 07/27/17	SHEET 10 OF 10

L. ROBERTO LOMAS P.E.
1432 WOODFORD RD LEWISVILLE, NC 27023
434-688-0609 rllomas@lrlomaspe.com



Luis R. Lomas P.E.
TX No.: 101889