



# Glazed Fiberglass Door

## "NON-IMPACT"

### IN SWING / OUT SWING

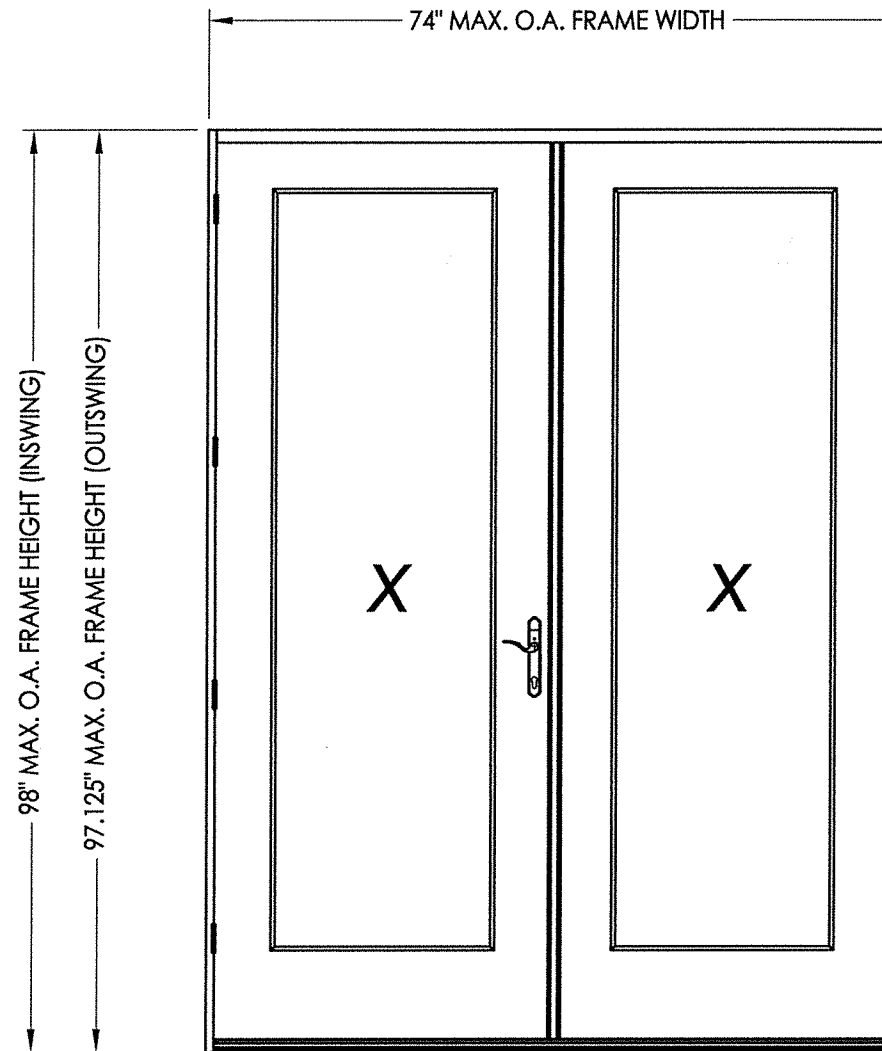
#### EVALUATED FOR USE IN THE STATE OF TEXAS

The Glazed Fiberglass Door system described herein complies with the 2018 International Residential Code (IRC), Sections R301 & R609 and the 2018 International Building Code (IBC), Sections 1404.13, 1609, 1709.5, 2403 and 2404 subject to the following conditions:

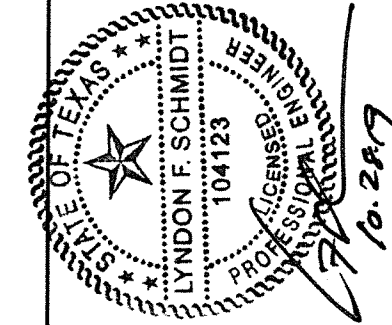
1. Anchors shall be as listed and spaced as shown in the details. Anchor embedment to base material shall be beyond wall dressing or stucco.
2. When used in areas requiring wind-borne debris protection this product is required to be protected with an impact resistant covering that complies with Section R301.2.1.2 of the IRC and Section 1609.2 of the IBC.
3. Allowable design pressure requirements must be equal to or less than the design pressure rating shown in the design pressure chart, sheet 1 of this drawing.
4. Conditions not covered by this drawing are subject to further engineering analysis.

TABLE OF CONTENTS

SHEET #	DESCRIPTION
1	Typical elevations, design pressures & general notes
2	Astragal details (Ultimate Trilennium)
3	Door panel details
4	Horizontal & vertical cross sections
5	Vertical cross sections
6	Frame anchoring



CONFIG.	MODEL	DESIGN PRESSURE (PSF)	
		POSITIVE	NEGATIVE
XX	IN SWING	+40.0	-40.0
XX	OUT SWING	+50.0	-50.0



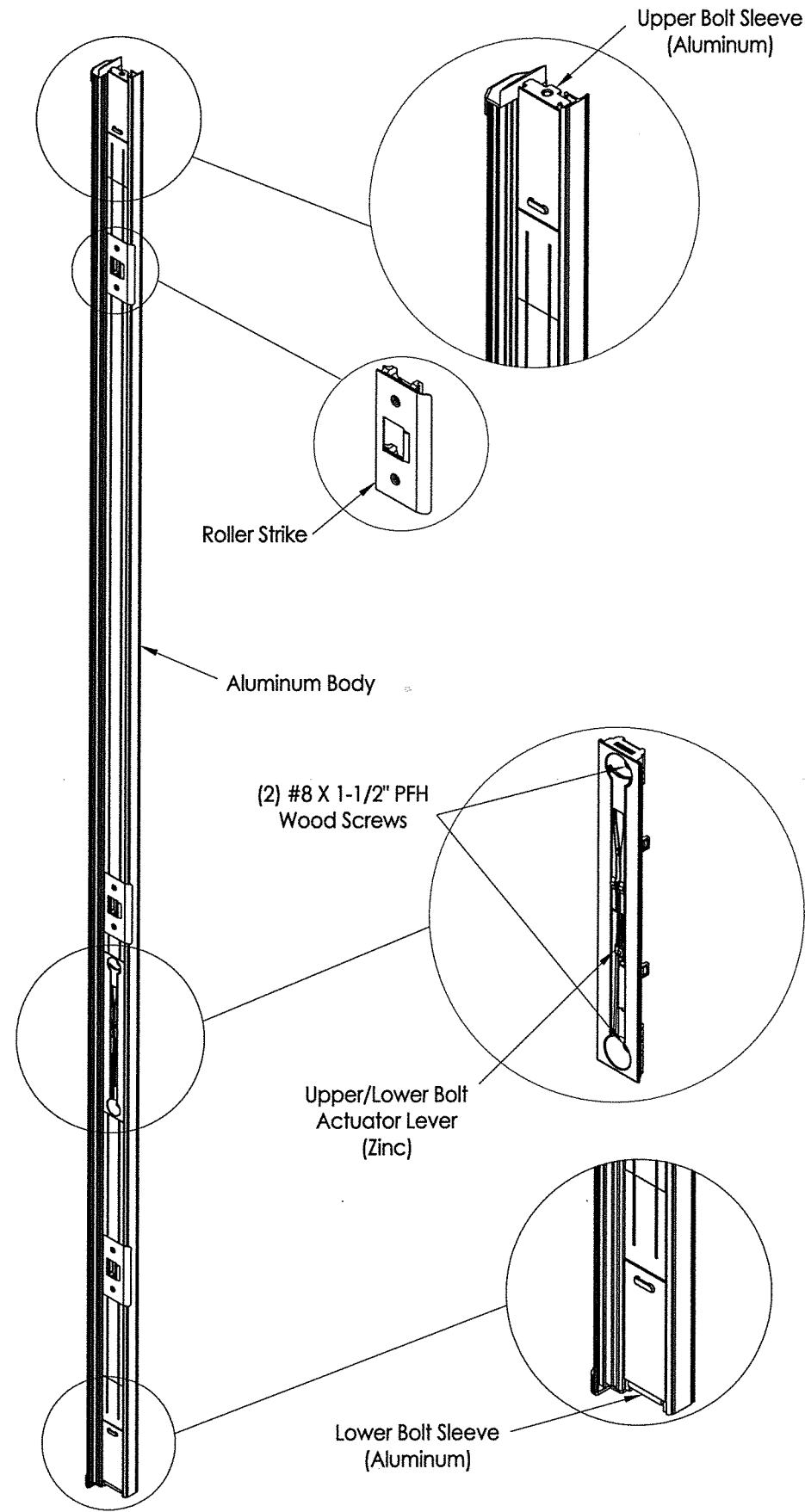
Documents Prepared By: Lyndon F. Schmidt, P.E.  
TEXAS P.E. #104123

**RW** BUILDING CONSULTANTS, INC.  
P.O. Box 230 Valrico FL 33595  
Phone No.: 813.659.9197  
TEXAS BOARD OF PROFESSIONAL ENGINEERS  
CERTIFICATE OF REGISTRATION # F-11852

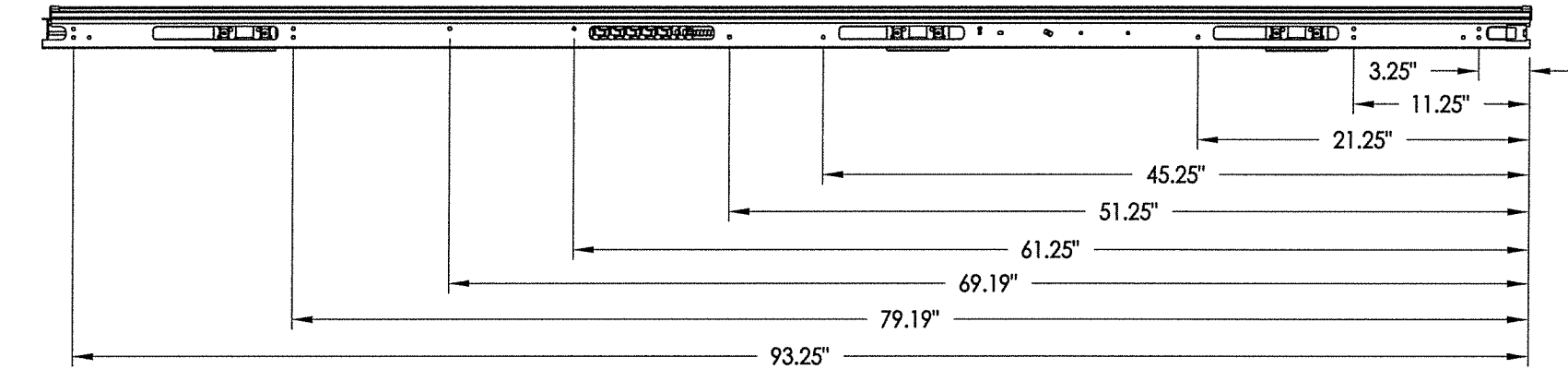
PRODUCT: ENDURA  
PART OR ASSEMBLY: TYPICAL ELEVATION, DESIGN PRESSURES & GENERAL NOTES

NO.	DATE	REVISIONS
1	10/24/19	ADD "FusionFrame" OPTION & UPDATE TO 2018 IBC/IRC CODE

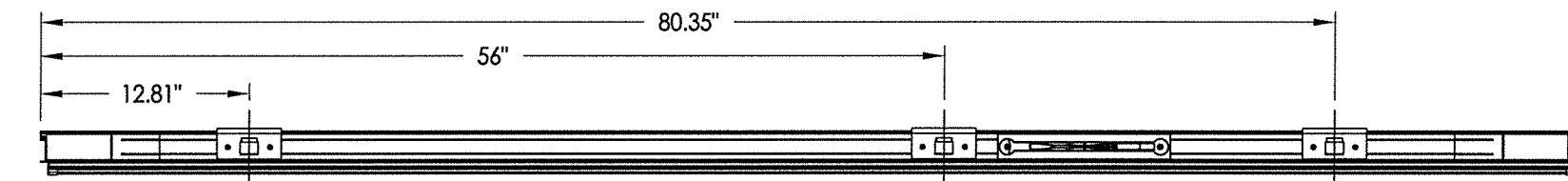
DATE: 4/27/17  
SCALE: N.T.S.  
DWG. BY: JK  
CHK. BY: LFS  
DRAWING NO.: TX-4694  
SHEET 1 OF 6



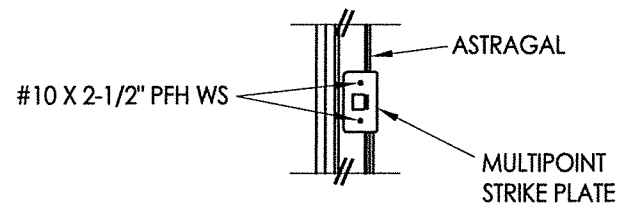
**ULTIMATE TRIENNIIUM ASTRAGAL**



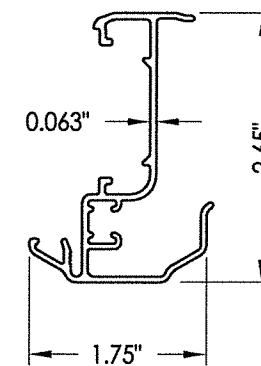
**ANCHOR SCREW LOCATIONS**



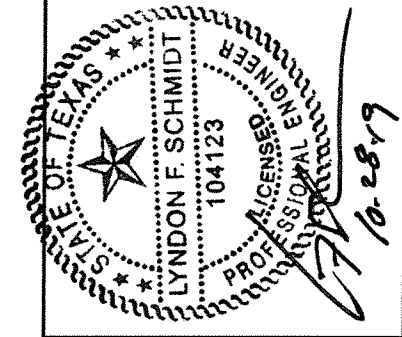
**HARDWARE LOCATIONS**



**STRIKE PLATE DETAIL**



**Astragal Section**



Documents Prepared By: Lyndon F. Schmidt, P.E.  
TEXAS P.E. #104123

**RW** BUILDING CONSULTANTS, INC.  
P.O. Box 230 Valrico FL 33595  
Phone No.: 813.659.9197

TEXAS BOARD OF PROFESSIONAL ENGINEERS  
CERTIFICATE OF REGISTRATION # F-11852

PRODUCT:	ENDURA
PART OR ASSEMBLY:	ASTRAGAL DETAILS (ULTIMATE TRIENNIIUM)

NO.	DATE	BY	REVISIONS
1	10/24/19	LFS	ADD "FusionFrame" OPTION & UPDATE TO 2018 IBC/IRC CODE

DATE: 4/27/17

SCALE: N.T.S.

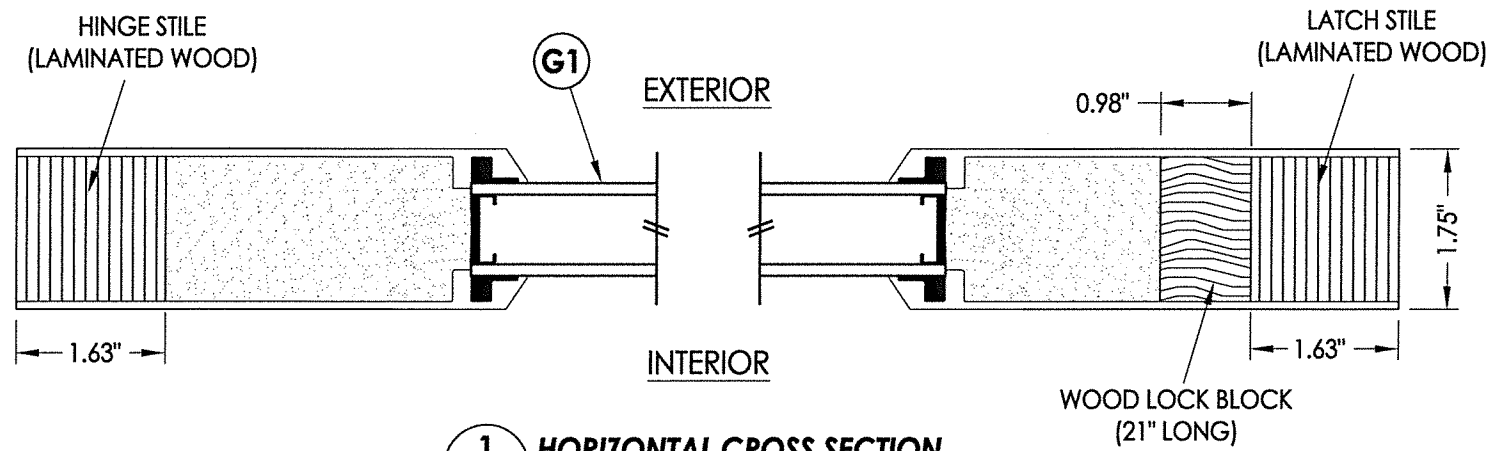
DWG. BY: JK

CHK. BY: LFS

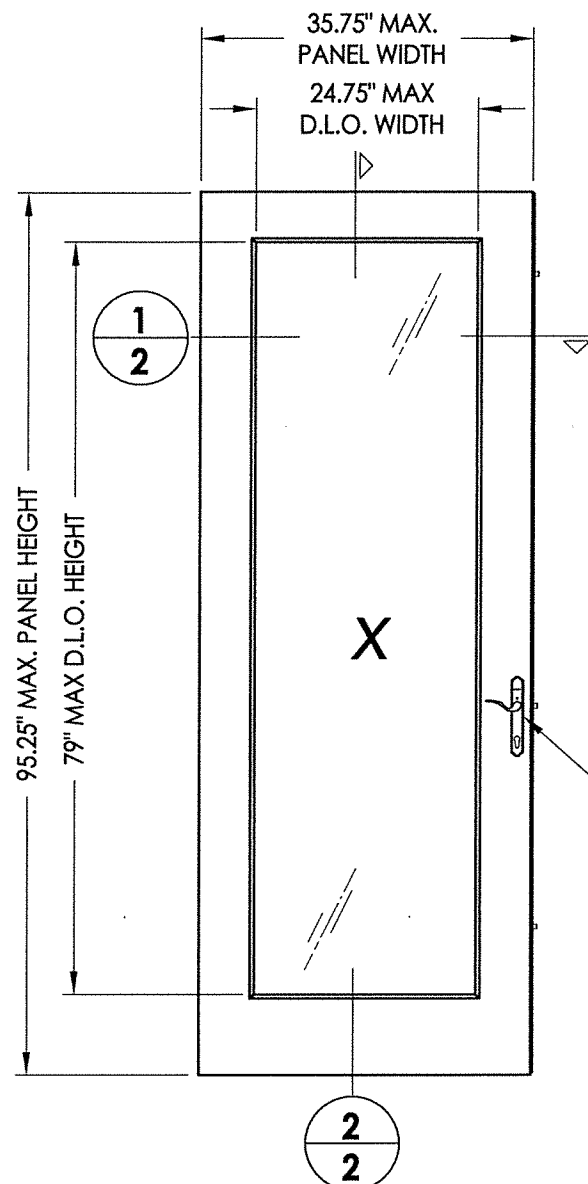
DRAWING NO.: TX-4694

SHEET 2 OF 6

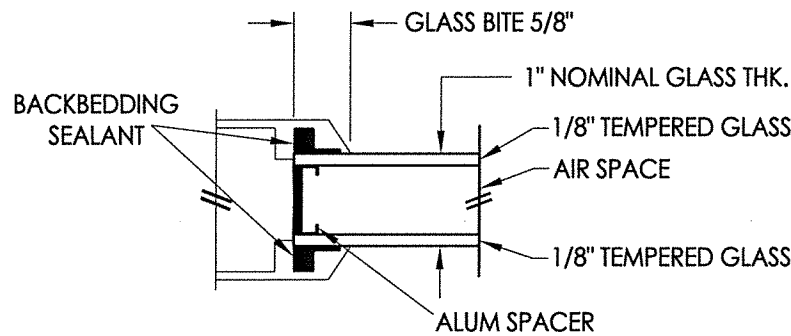
R:\Clients\Endura PERMANENT\B - Texas Dept of Ins\TDI - DR-888 Masonite FG VG GLAZED (Trilennium)\C - Drawings\TX-4690.91.93.94.dwg, 3.2



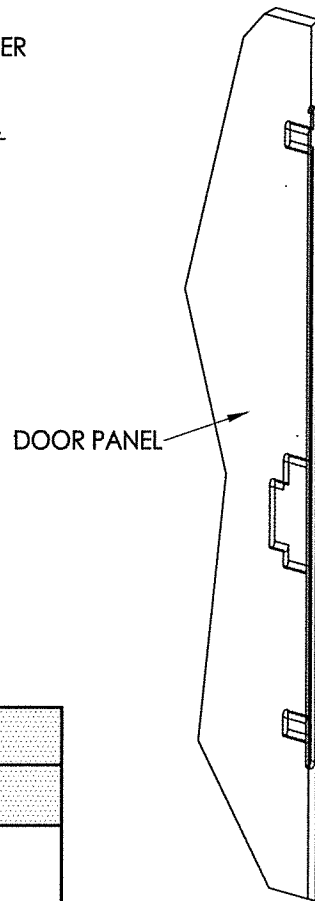
1 HORIZONTAL CROSS SECTION  
 2



MASONITE  
 VistaGrande Flush Glazed  
 Fiberglass Door Panel

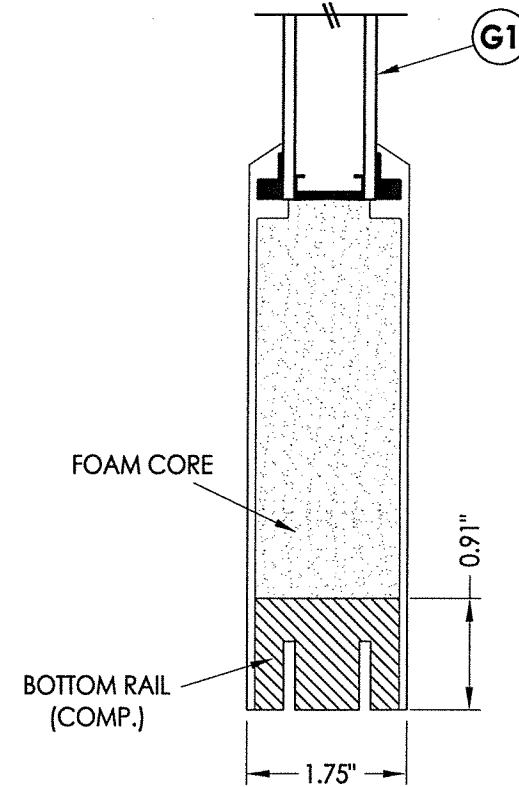
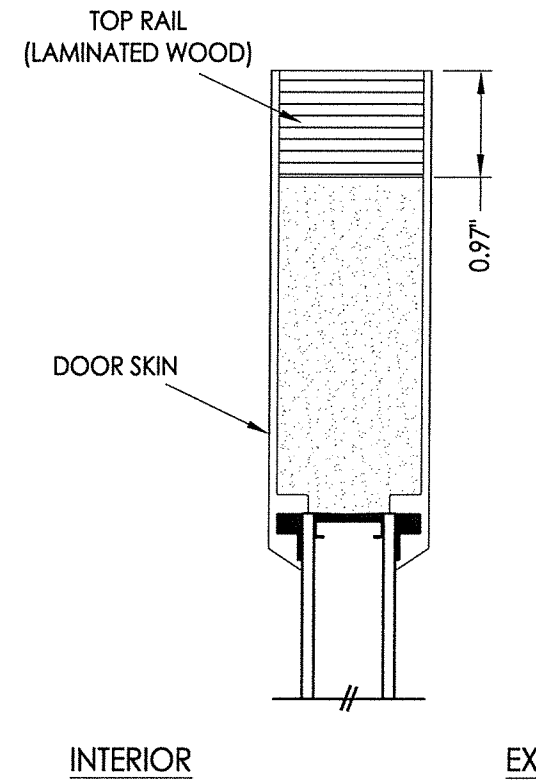


G1 GLAZING DETAIL  
 Flush Glazing

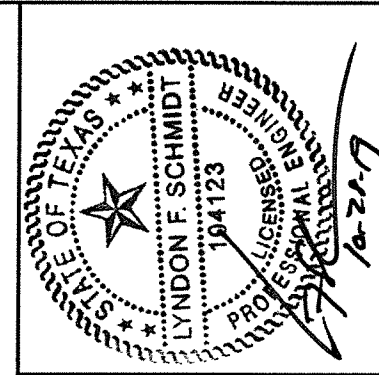


HARDWARE TABLE	
MANUFACTURER	MODEL
Endura	Trilennium® 3000 Series Multipoint Lock (3pt.)

DOOR SKIN: FIBERGLASS (0.085" MIN. THICKNESS)  
 CORE MATERIAL: POLYURETHANE FOAM (1.9 PCF MIN.)



2 VERTICAL CROSS SECTION  
 2



Documents Prepared By: Lyndon F. Schmidt, P.E.  
 TEXAS P.E. #104123

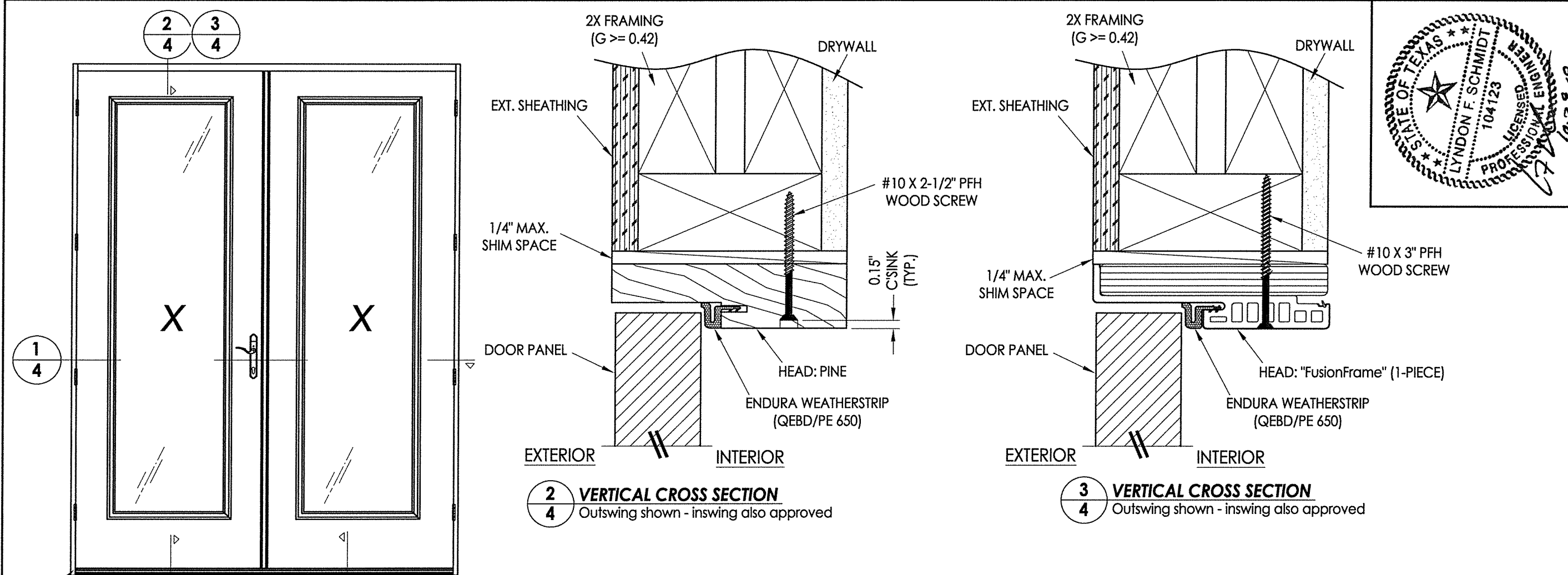
RW BUILDING CONSULTANTS, INC.  
 P.O. Box 230 Valrico FL 33595  
 Phone No.: 813.659.9197  
 TEXAS BOARD OF PROFESSIONAL ENGINEERS  
 CERTIFICATE OF REGISTRATION # F-11852

PRODUCT:	ENDURA
PART OR ASSEMBLY:	DOOR PANEL DETAILS & GLAZING DETAIL

NO.	DATE	BY	REVISIONS
1	10/24/19	LFS	ADD "FusionFrame" OPTION & UPDATE TO 2018 IBC/IRC CODE

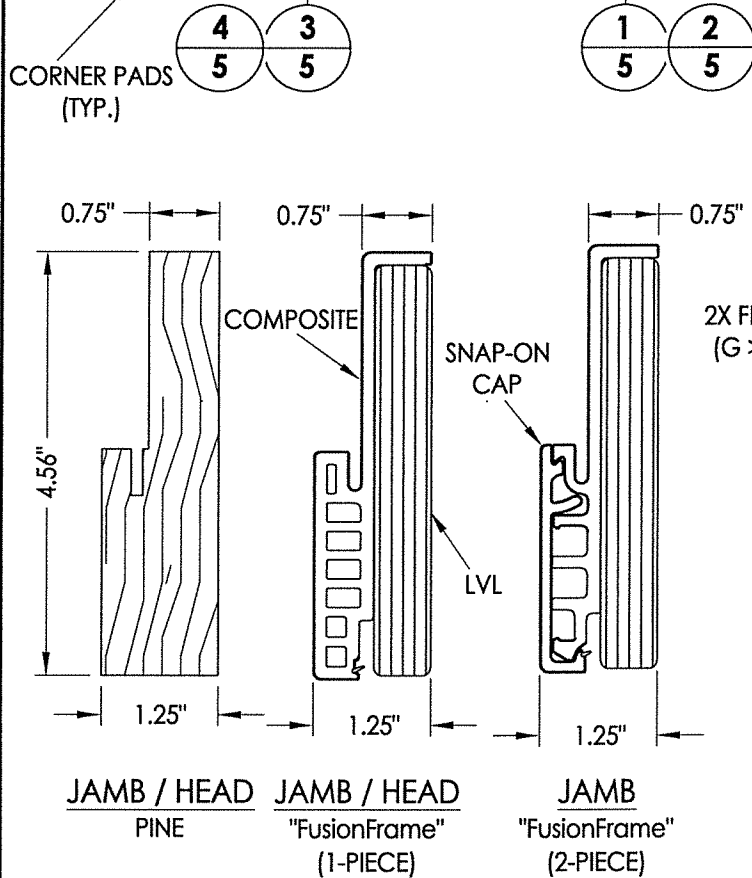
DATE:	4/27/17
SCALE:	N.T.S.
DWG. BY:	JK
CHK. BY:	LFS
DRAWING NO.:	TX-4694
SHEET	3 of 6

R:\Clients\Endura PERMANENT\B - Texas Dept of Ins\TDI - DR-888 Masonite FG VG GLAZED (Trilennium)\C - Drawings\TX-4690.91.93.94.dwg, 4.2

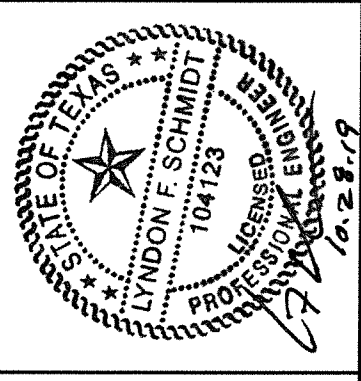
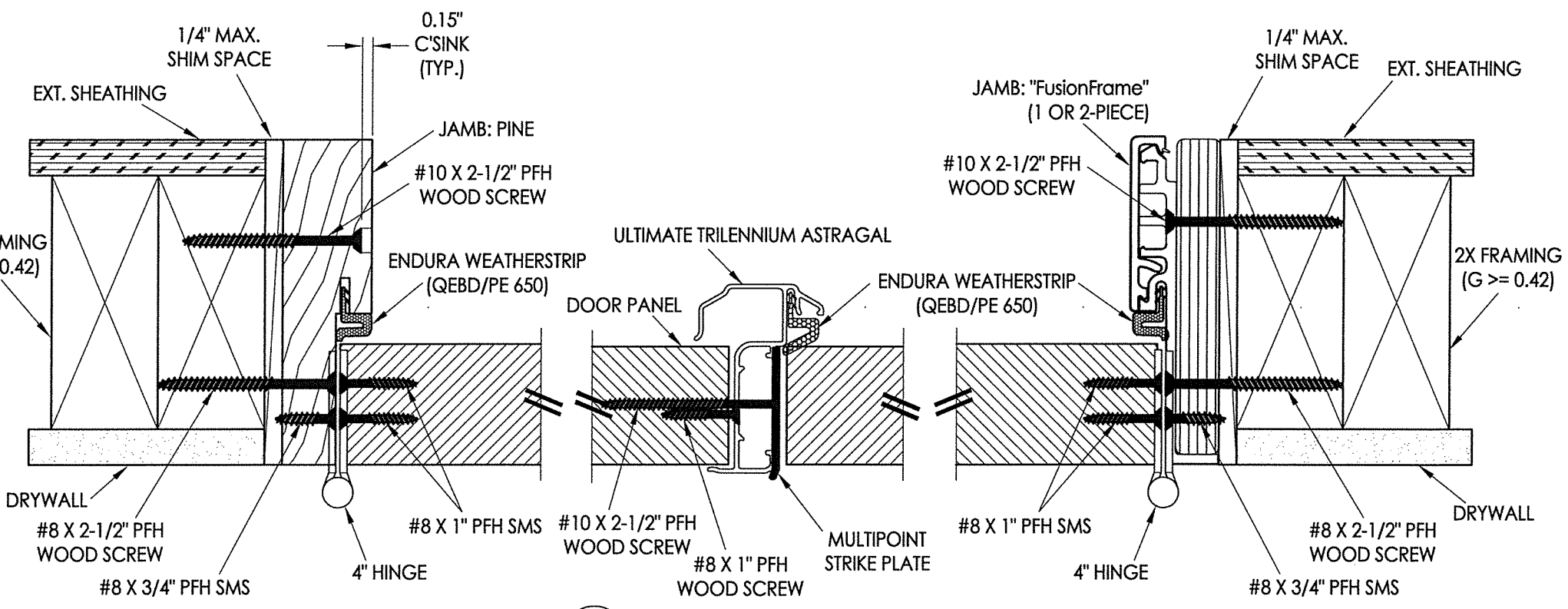


**2 VERTICAL CROSS SECTION**  
4 Outswing shown - inswing also approved

**3 VERTICAL CROSS SECTION**  
4 Outswing shown - inswing also approved



**1 HORIZONTAL CROSS SECTION**  
4 Inswing shown - Outswing also approved



Documents Prepared By: Lyndon F. Schmidt, P.E.  
TEXAS P.E. #104123

**RW** BUILDING CONSULTANTS, INC.  
P.O. Box 230 Valrico FL 33595  
Phone No.: 813.659.9197

TEXAS BOARD OF PROFESSIONAL ENGINEERS  
CERTIFICATE OF REGISTRATION # F-11852

PRODUCT: ENDURA

PART OR ASSEMBLY: HORIZONTAL & VERTICAL CROSS SECTIONS

NO.	DATE	BY	REVISIONS
1	10/24/19	LFS	ADD "FusionFrame" OPTION & UPDATE TO 2018 IBC/IRC CODE

DATE: 4/27/17

SCALE: N.T.S.

DWG. BY: JK

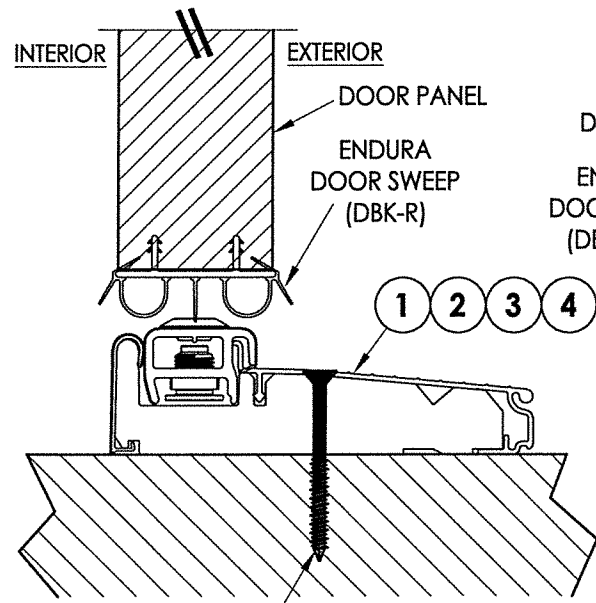
CHK. BY: LFS

DRAWING NO.: TX-4694

SHEET 4 OF 6

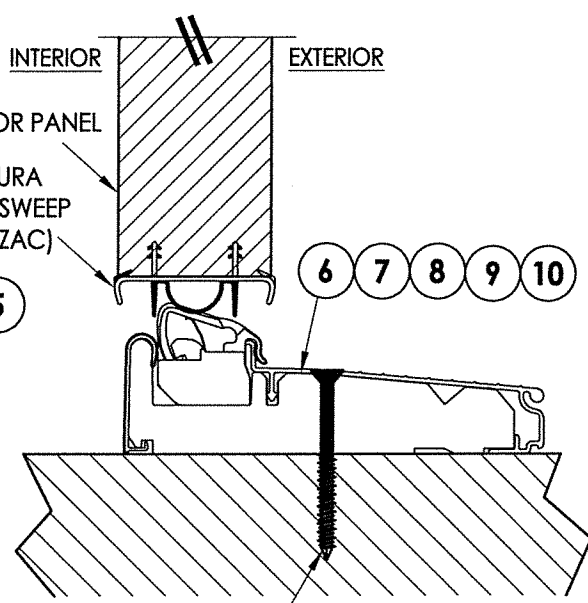
© 2017 R.W. BUILDING CONSULTANTS INC.

R:\Clients\Endura PERMANENT\B - Texas Dept of Ins\TDI - DR-888 Masonite FG VG GLAZED (Tritanium)\C - Drawings\TX-4690.91.93.94.dwg, 5.2



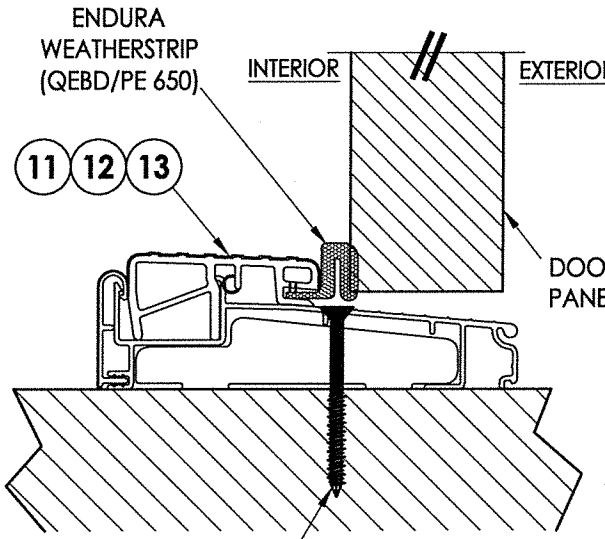
#10 X 2-1/2" PFH WOOD SCREW OR  
1/4" X 2-3/4" ELCO OR ITW CONCRETE SCREW

**1 VERTICAL CROSS SECTION**  
**5 Inswing Adjustable Threshold**



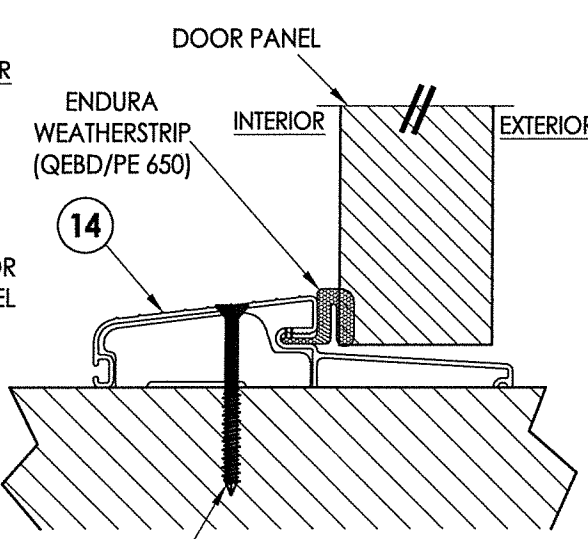
#10 X 2-1/2" PFH WOOD SCREW OR  
1/4" X 2-3/4" ELCO OR ITW CONCRETE SCREW

**2 VERTICAL CROSS SECTION**  
**5 Inswing Articulating Threshold w/ Pin Capture**



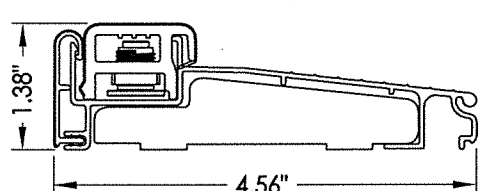
#10 X 2-1/2" PFH WOOD SCREW OR  
1/4" X 2-3/4" ELCO OR ITW CONCRETE SCREW

**3 VERTICAL CROSS SECTION**  
**5 Inswing Adjustable Threshold**

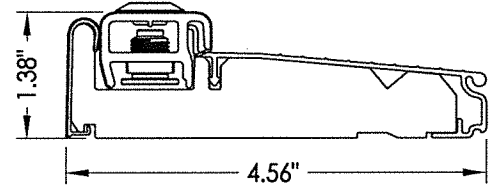


#10 X 2-1/2" PFH WOOD SCREW OR  
1/4" X 2-3/4" ELCO OR ITW CONCRETE SCREW

**4 VERTICAL CROSS SECTION**  
**5 Inswing Articulating Threshold**

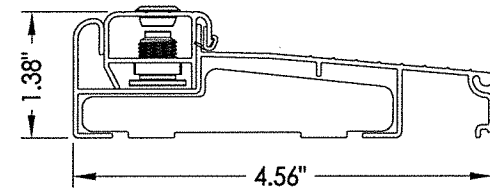


**1 INSWING ADJUSTABLE THRESHOLD**  
ZAIL4565

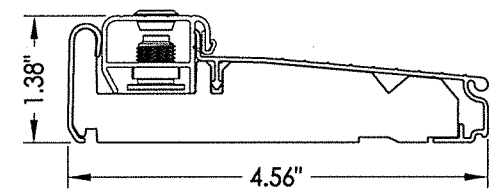


**2 INSWING ADJUSTABLE THRESHOLD**  
ZAI4565FN

MAX. DESIGN PRESSURE = ±30 PSF

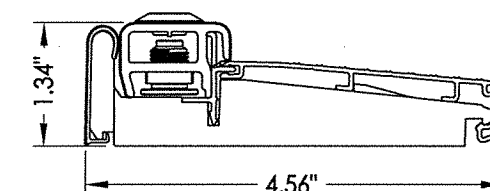


**3 INSWING ADJUSTABLE THRESHOLD**  
ZAILAA4565

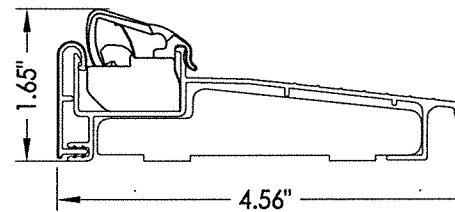


**4 INSWING ADJUSTABLE THRESHOLD**  
ZAI1AA4565FN

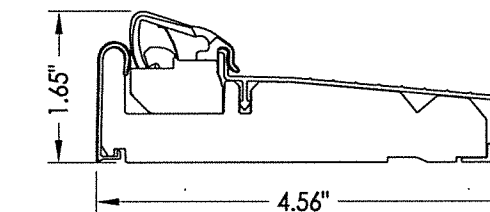
MAX. DESIGN PRESSURE = ±30 PSF



**5 INSWING ADJUSTABLE THRESHOLD**  
ZAI4565RDS

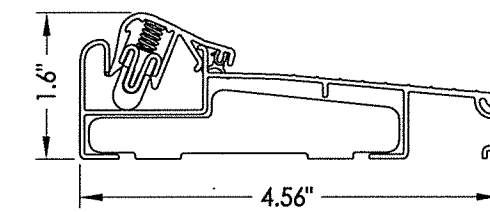


**6 INSWING ARTICULATING THRESHOLD**  
ZACL4565

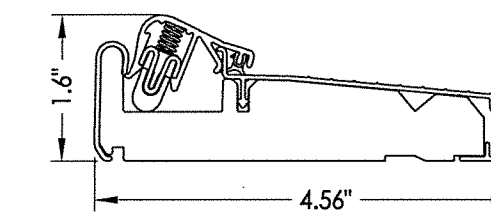


**7 INSWING ARTICULATING THRESHOLD**  
ZAC4565FN

MAX. DESIGN PRESSURE = ±35PSF

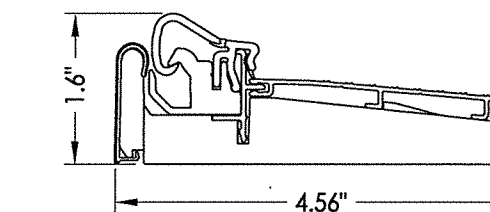


**8 INSWING ARTICULATING THRESHOLD**  
ZACLAA4565

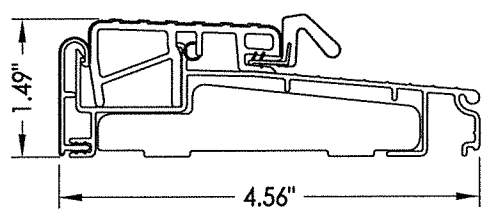


**9 INSWING ARTICULATING THRESHOLD**  
ZACAA4565FN

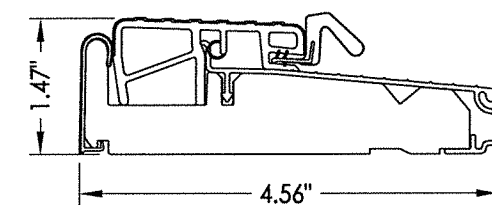
MAX. DESIGN PRESSURE = ±35 PSF



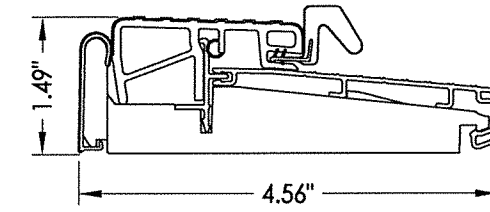
**10 INSWING ARTICULATING THRESHOLD**  
ZAC4565RDS



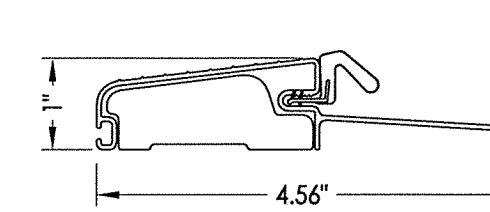
**11 OUTSWING THRESHOLD**  
ZOBL4565



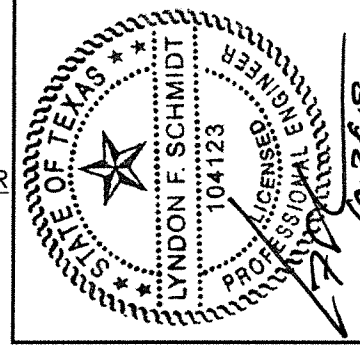
**12 OUTSWING THRESHOLD**  
ZOB4565FN



**13 OUTSWING THRESHOLD**  
ZOB4565RDS



**14 OUTSWING THRESHOLD**  
FOB4566



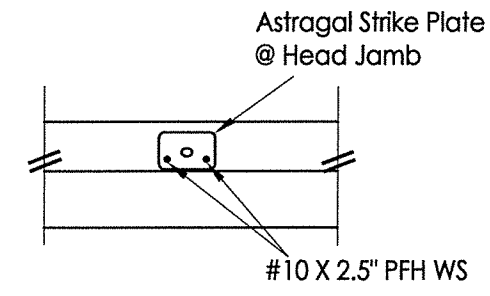
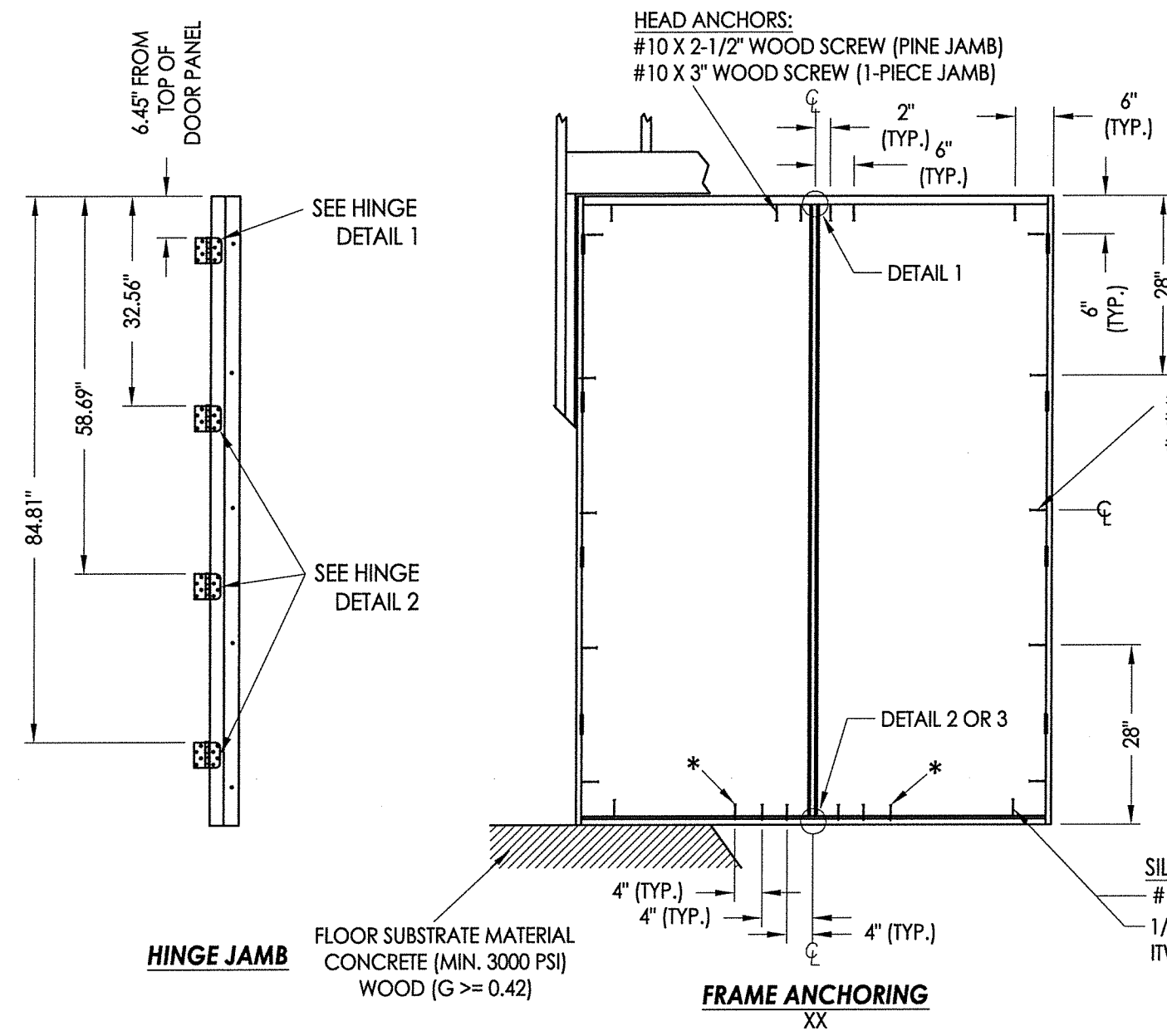
Documents Prepared By: Lyndon F. Schmidt, P.E.  
TEXAS P.E. #104123

**RW** BUILDING CONSULTANTS, INC.  
P.O. Box 230 Valrico FL 33595  
Phone No.: 813.659.9197

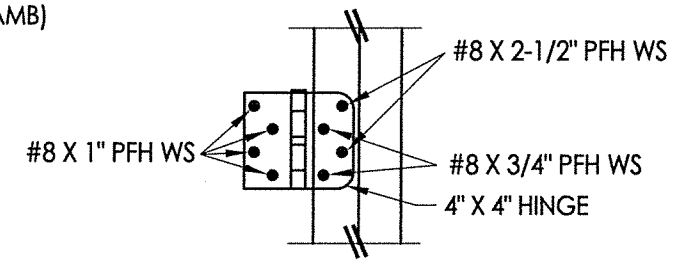
TEXAS BOARD OF PROFESSIONAL ENGINEERS  
CERTIFICATE OF REGISTRATION # F-11852

PRODUCT: ENDURA		PART OR ASSEMBLY: VERTICAL CROSS SECTIONS	
NO.	DATE	BY	REVISIONS
1	10/24/19	LFS	ADD "FusionFrame" OPTION & UPDATE TO 2018 IBC/IRC CODE
DATE: 4/27/17		SCALE: N.T.S.	
DWG. BY: JK		CHK. BY: LFS	
DRAWING NO.: TX-4694		SHEET 5 OF 6	

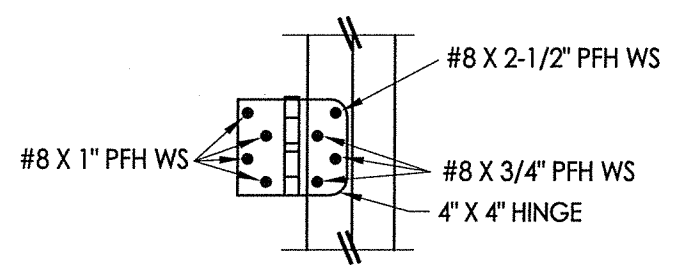
© 2017 R.W. BUILDING CONSULTANTS INC.



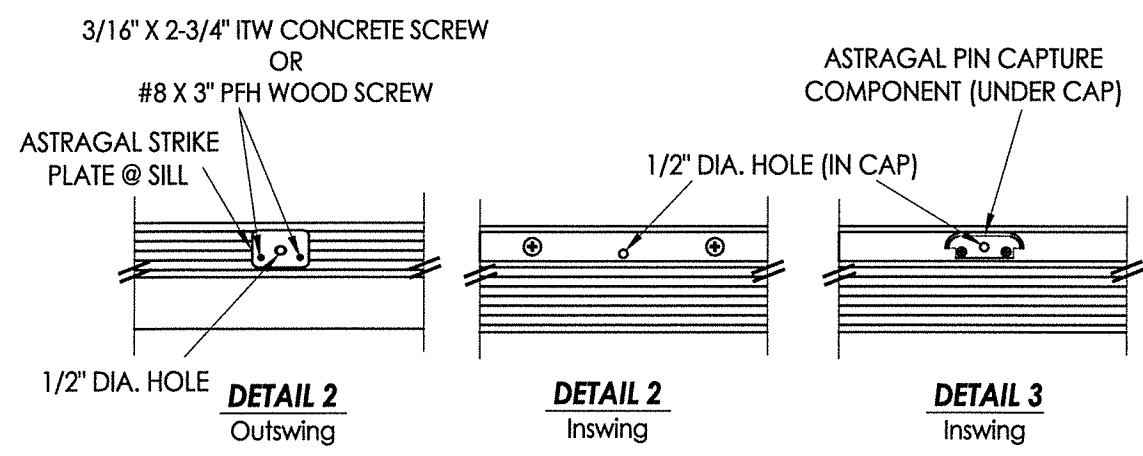
**DETAIL 1**



**HINGE DETAIL 1**



**HINGE DETAIL 2**

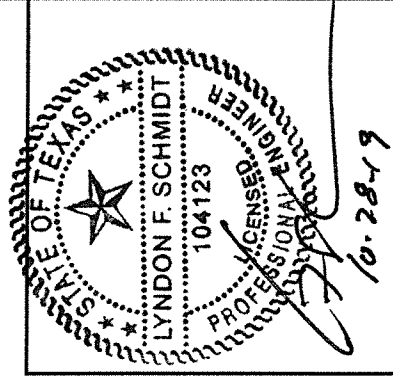


\*NOTE: Outside anchors are required for D.P. > 40 PSF.

**JAMB NOTES:**  
 THE PINE OR "FusionFrame" 1-PIECE JAMB MAY BE INSTALLED @ THE HEAD OR SIDE JAMB.  
 THE FusionFrame" 2-PIECE JAMB MAY BE INSTALLED @ THE SIDE JAMBS ONLY.

- CONCRETE ANCHOR NOTES:**
- Concrete anchor locations at the corners may be adjusted to maintain the min. edge distance to mortar joints.
  - Concrete anchor locations noted as "MAX. ON CENTER" must be adjusted to maintain the min. edge distance to mortar joints, additional concrete anchors may be required to ensure the "MAX. ON CENTER" dimension are not exceeded.
  - Concrete anchor table:

ANCHOR TYPE	ANCHOR SIZE	MIN. EMBEDMENT	MIN. CLEARANCE TO MASONRY EDGE	MIN. CLEARANCE TO ADJACENT ANCHOR
ITW TAPCON®	1/4"	1-3/4"	1-1/2"	4"
ELCO ULTRACON®	1/4"	1-3/4"	1"	4"



Documents Prepared By: Lyndon F. Schmidt, P.E.  
 TEXAS P.E. #104123

**RW** BUILDING CONSULTANTS, INC.  
 P.O. Box 230 Valrico FL 33595  
 Phone No.: 813.659.9197  
 TEXAS BOARD OF PROFESSIONAL ENGINEERS  
 CERTIFICATE OF REGISTRATION # F-11852

PRODUCT:	ENDURA	
PART OR ASSEMBLY:	FRAME ANCHORING	
NO.	DATE	BY
1	10/24/19	LFS
ADD "FusionFrame" OPTION & UPDATE TO 2018 IBC/IRC CODE		
REVISIONS		
DATE:	4/27/17	
SCALE:	N.T.S.	
DWG. BY:	JK	
CHK. BY:	LFS	
DRAWING NO.:	TX-4694	
SHEET	6	OF 6