

Glazed Fiberglass Door

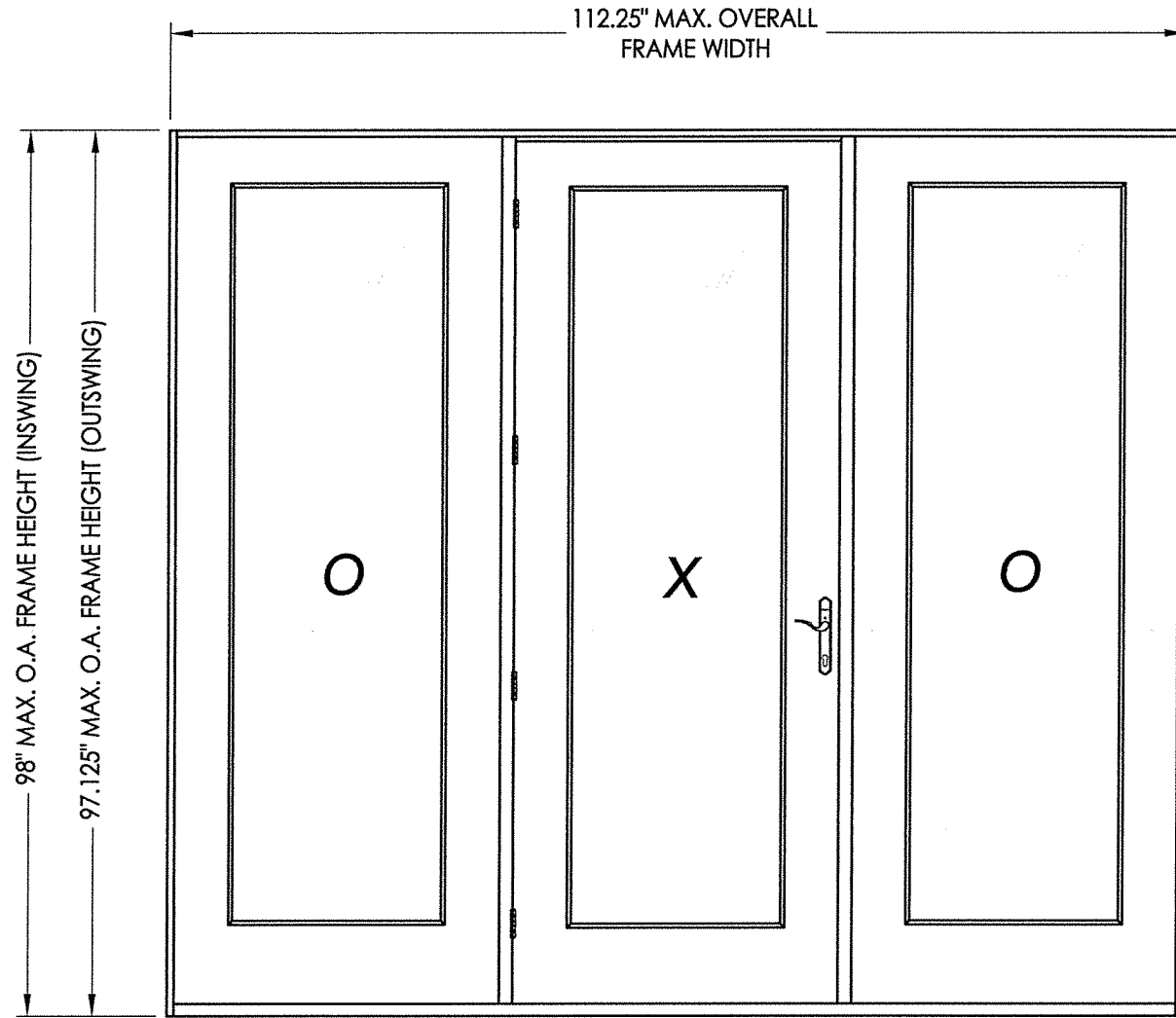
"NON-IMPACT"

IN SWING / OUT SWING

EVALUATED FOR USE IN THE STATE OF TEXAS

The Glazed Fiberglass Door system described herein complies with the 2018 International Residential Code (IRC), Sections R301 & R609 and the 2018 International Building Code (IBC), Sections 1404.13, 1609, 1709.5, 2403 and 2404 subject to the following conditions:

1. Anchors shall be as listed and spaced as shown in the details. Anchor embedment to base material shall be beyond wall dressing or stucco.
2. When used in areas requiring wind-borne debris protection this product is required to be protected with an impact resistant covering that complies with Section R301.2.1.2 of the IRC and Section 1609.2 of the IBC.
3. Allowable design pressure requirements must be equal to or less than the design pressure rating shown in the design pressure chart, sheet 1 of this drawing.
4. Conditions not covered by this drawing are subject to further engineering analysis.



| TABLE OF CONTENTS | |
|-------------------|--|
| SHEET # | DESCRIPTION |
| 1 | Typical elevations, design pressures & general notes |
| 2 | Door panel details |
| 3 | Slidette panel details (lip lite insert glazing) |
| 4 | Horizontal cross sections |
| 5 | Vertical cross sections |
| 6 | Vertical cross sections |
| 7 | Frame anchoring |

| CONFIG. | MODEL | DESIGN PRESSURE (PSF) | |
|---------|-----------|-----------------------|----------|
| | | POSITIVE | NEGATIVE |
| OXO | IN SWING | +40.0 | -40.0 |
| OXO | OUT SWING | +45.0 | -45.0 |

Documents Prepared By: Lyndon F. Schmidt, P.E.
TEXAS P.E. #104123

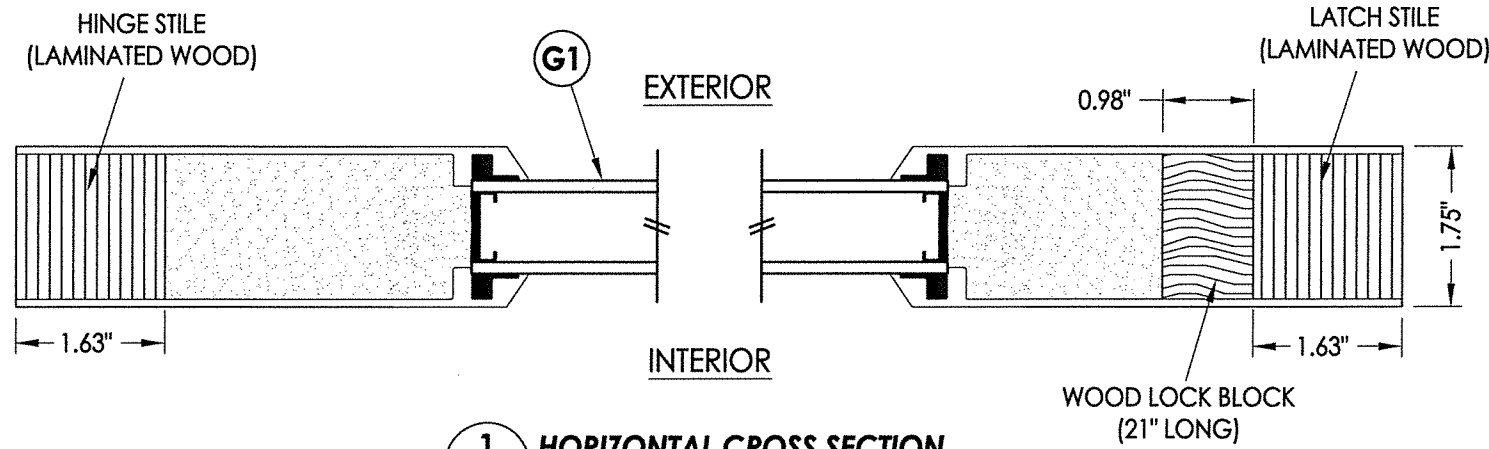
RW BUILDING CONSULTANTS, INC.
P.O. Box 230 Vairico FL 33595
Phone No.: 813.659.9197

TEXAS BOARD OF PROFESSIONAL ENGINEERS
CERTIFICATE OF REGISTRATION # F-11852

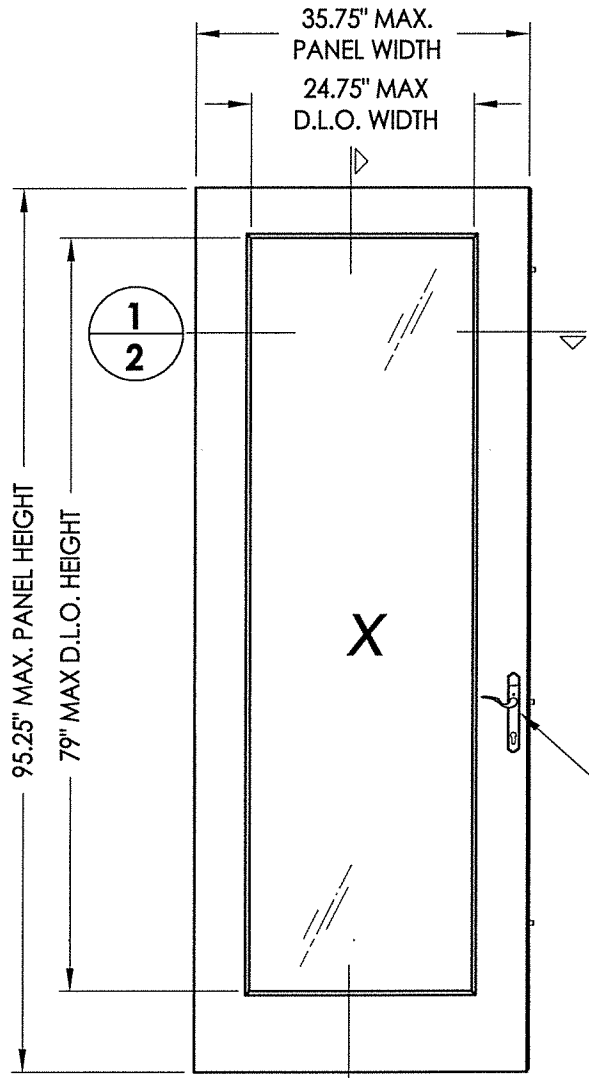
| | |
|-------------------|---|
| PRODUCT: | ENDURA |
| PART OR ASSEMBLY: | TYPICAL ELEVATION, DESIGN PRESSURES & GENERAL NOTES |
| DATE: | 4/27/17 |
| SCALE: | N.T.S. |
| DWG. BY: | JK |
| CHK. BY: | LFS |
| DRAWING NO.: | TX-4693 |
| SHEET | 1 OF 7 |

R:\Clients\Endura PERMANENT\B - Texas Dept of Ins\TDI - DR-888 Masonite FG VG GLAZED (Trilennium)\C - Drawings\TX-4690,91,93,94.dwg, TX-4693

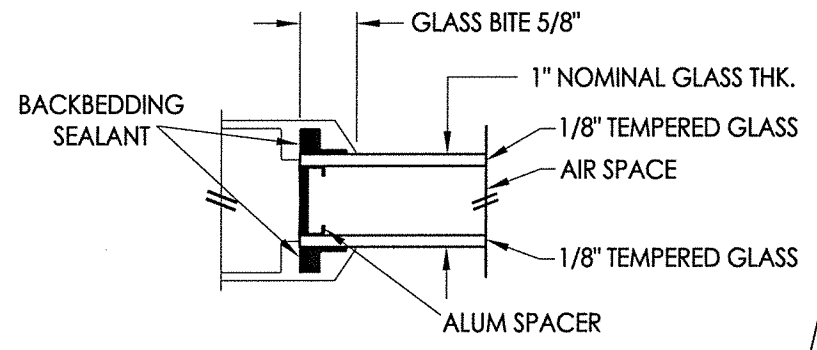
R:\Clients\Endura PERMANENT\B - Texas Dept of Ins\TDI - DR-888 Masonite FG VG GLAZED (Trilennium)\C - Drawings\TX-4690.91.93.94.dwg, 2.4



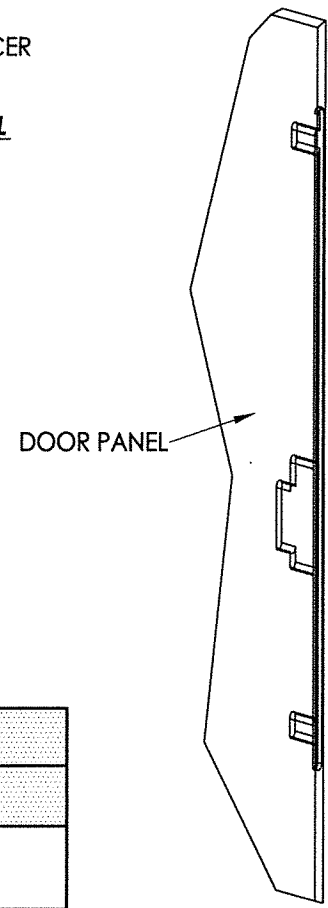
1
2 HORIZONTAL CROSS SECTION



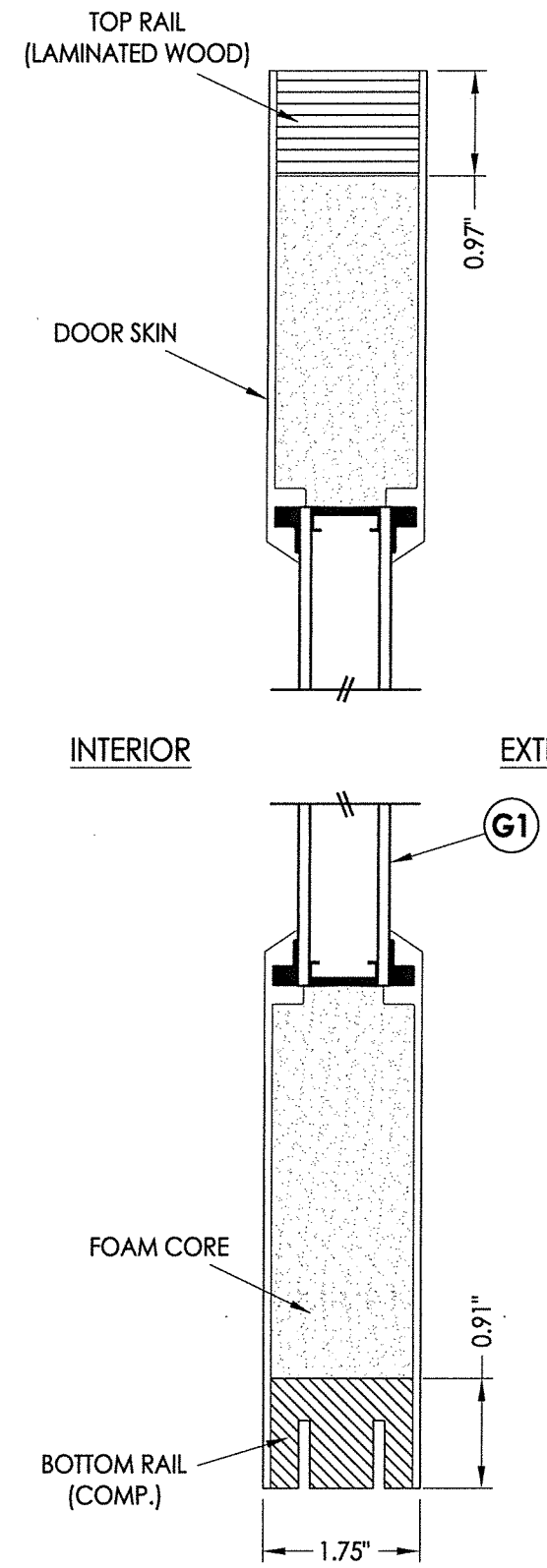
2
2
MASONITE
VistaGrande Flush Glazed
Fiberglass Door Panel



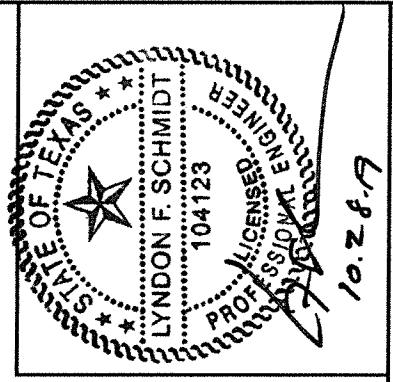
G1 GLAZING DETAIL
Flush Glazing



TRILENNIUM
SERIES 3000 MULTIPPOINT
LOCKING SYSTEM



2
2 VERTICAL CROSS SECTION

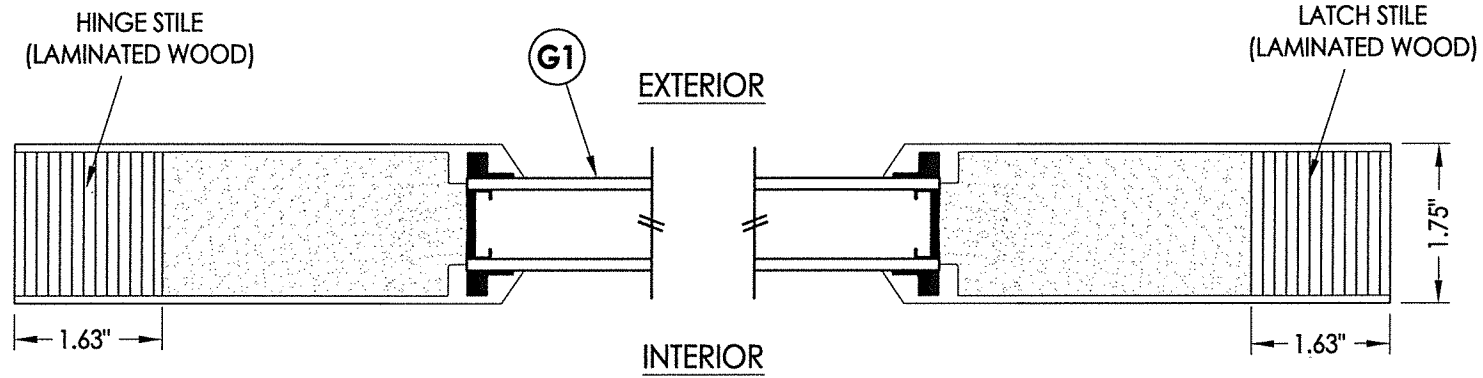


Documents Prepared By: Lyndon F. Schmidt, P.E.
 TEXAS P.E. #104123
RW BUILDING CONSULTANTS, INC.
 P.O. Box 230 Valrico FL, 33595
 Phone No.: 813.659.9197
 TEXAS BOARD OF PROFESSIONAL ENGINEERS
 CERTIFICATE OF REGISTRATION # F-11852

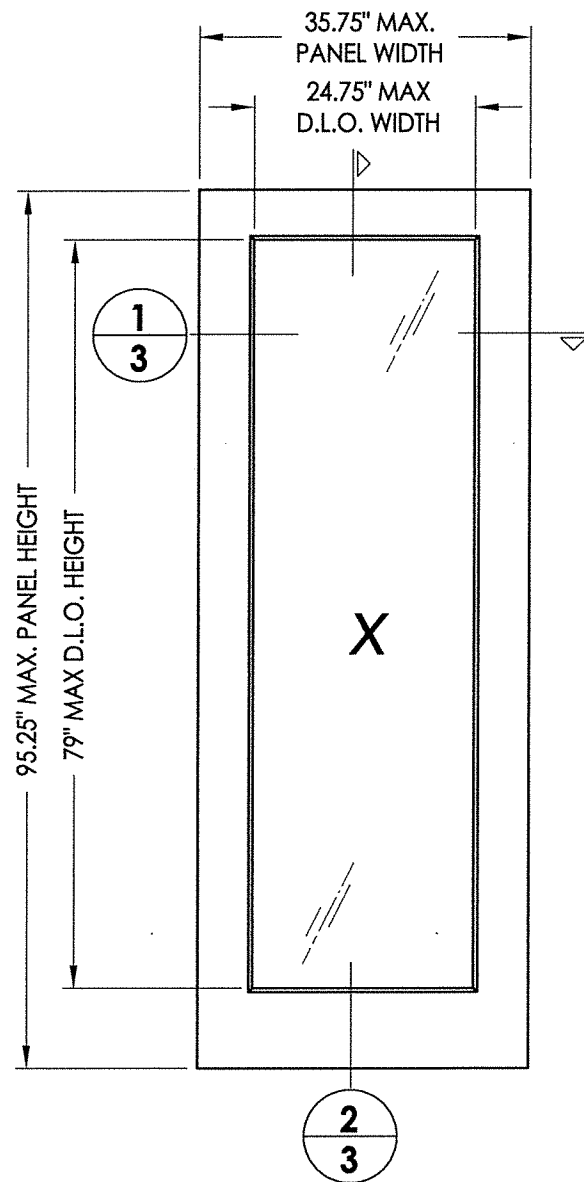
PRODUCT: ENDURA
 PART OR ASSEMBLY: DOOR PANEL DETAILS & GLAZING DETAIL

| REVISIONS | |
|-----------|--|
| NO. | DATE |
| 1 | 10/24/19 |
| | ADD "FusionFrame" OPTION & UPDATE TO 2018 IBC/IRC CODE |
| | LFS |
| | BY |

DATE: 4/27/17
 SCALE: N.T.S.
 DWG. BY: JK
 CHK. BY: LFS
 DRAWING NO.: TX-4693
 SHEET 2 OF 7

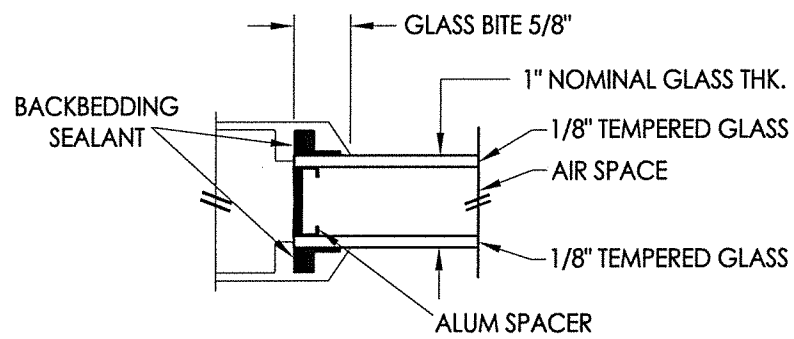


1
3 HORIZONTAL CROSS SECTION

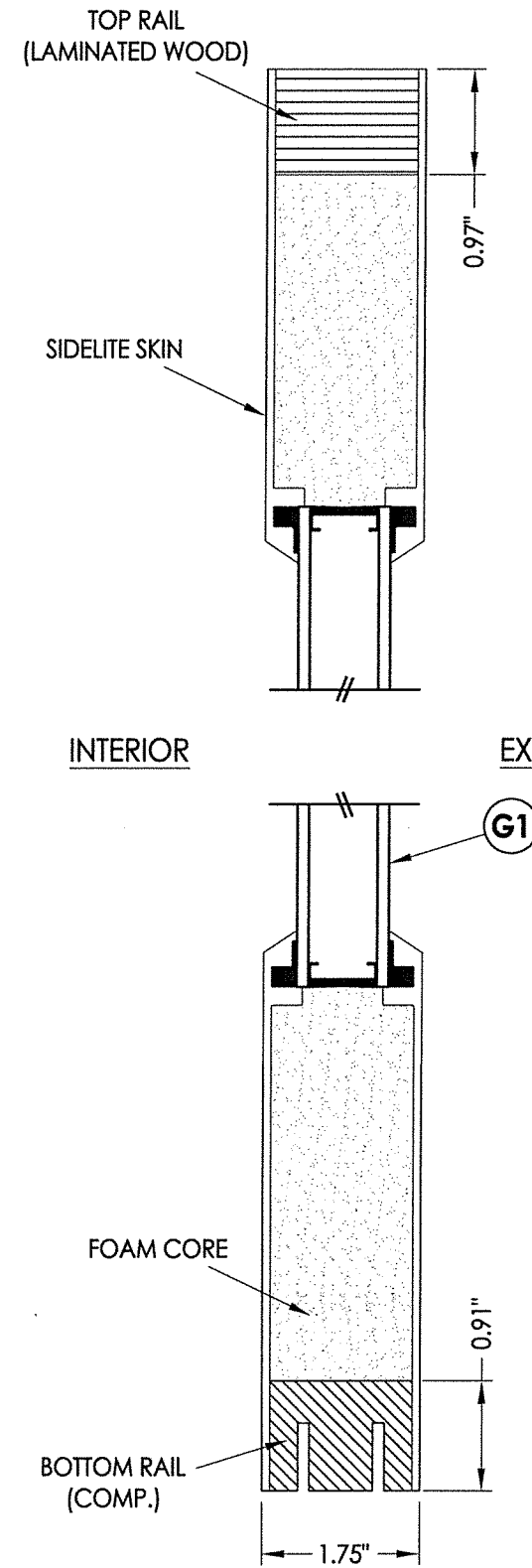


MASONITE
VistaGrande Flush Glazed
Fiberglass Sidelite Panel

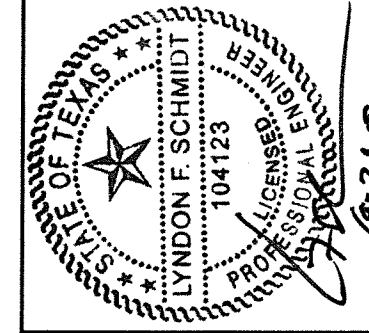
SIDELITE SKIN: FIBERGLASS (0.085" MIN. THICKNESS)
CORE MATERIAL: POLYURETHANE FOAM (1.9 PCF MIN.)



G1 GLAZING DETAIL
Flush Glazing



2
3 VERTICAL CROSS SECTION

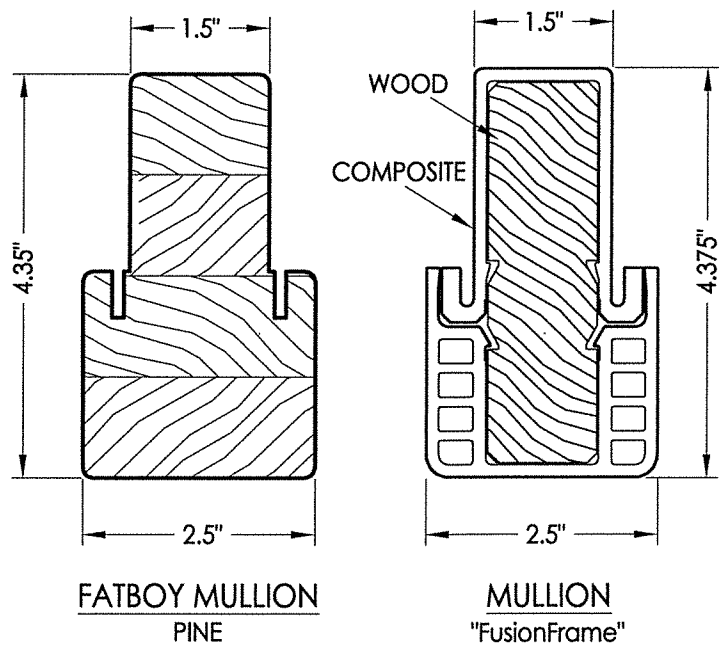
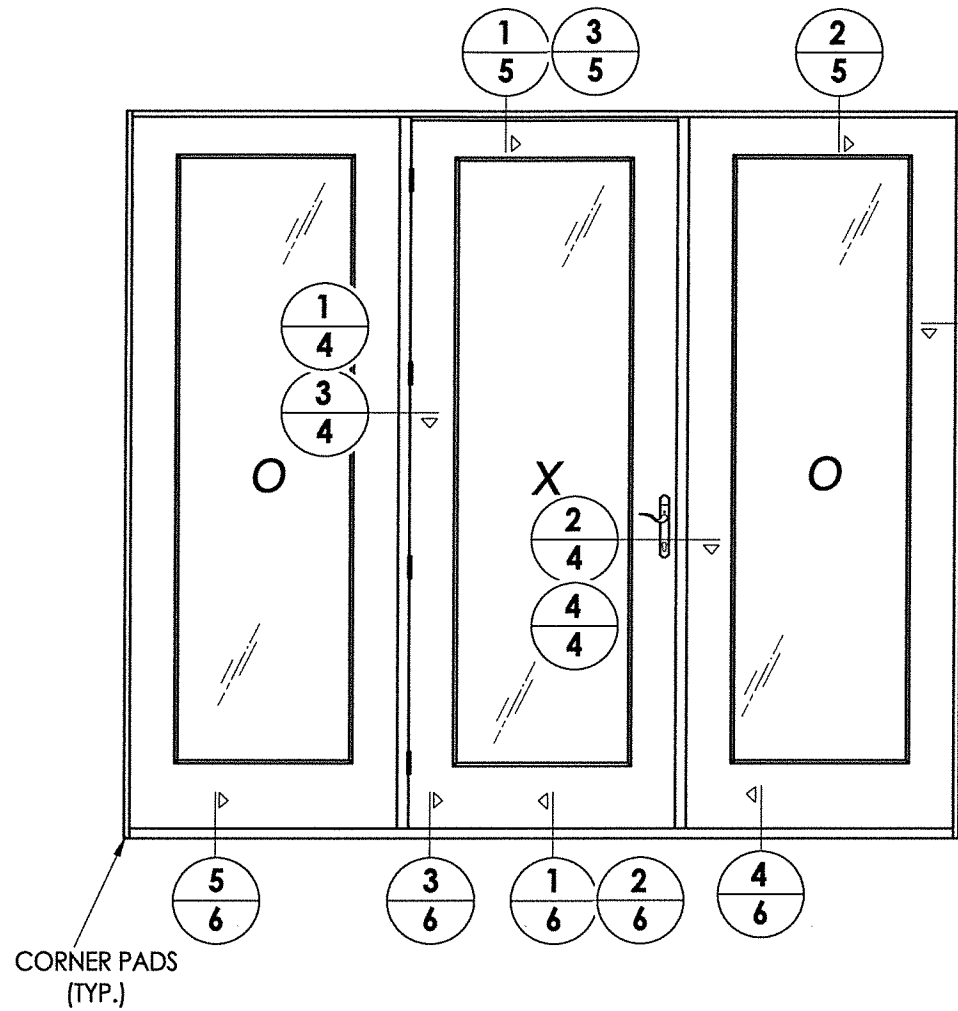


Documents Prepared By: Lyndon F. Schmidt, P.E.
TEXAS P.E. #104123

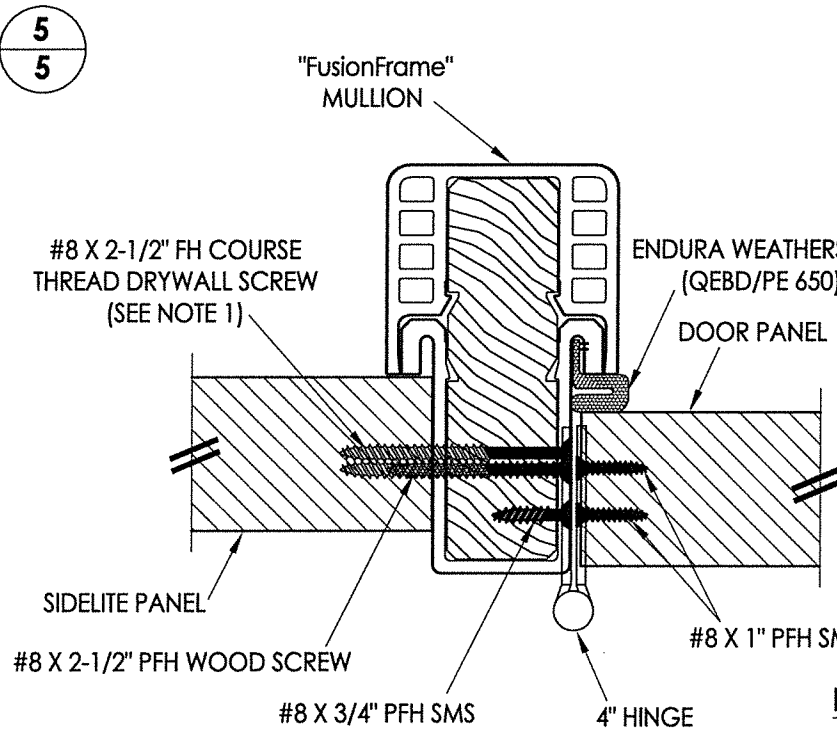
RW BUILDING CONSULTANTS, INC.
P.O. Box 230 Vairico FL 33595
Phone No.: 813.659.9197
TEXAS BOARD OF PROFESSIONAL ENGINEERS
CERTIFICATE OF REGISTRATION # F-11852

| | |
|--|----------|
| PRODUCT: ENDURA | |
| PART OR ASSEMBLY: SIDELITE PANEL DETAILS (LIP LITE INSERT GLAZING) | |
| NO. | DATE |
| 1 | 10/24/19 |
| ADD "FusionFrame" OPTION & UPDATE TO 2018 IBC/IRC CODE | |
| LFS | BY |
| REVISIONS | |
| DATE: 4/27/17 | |
| SCALE: N.T.S. | |
| DWG. BY: JK | |
| CHK. BY: LFS | |
| DRAWING NO.: TX-4693 | |
| SHEET 3 OF 7 | |

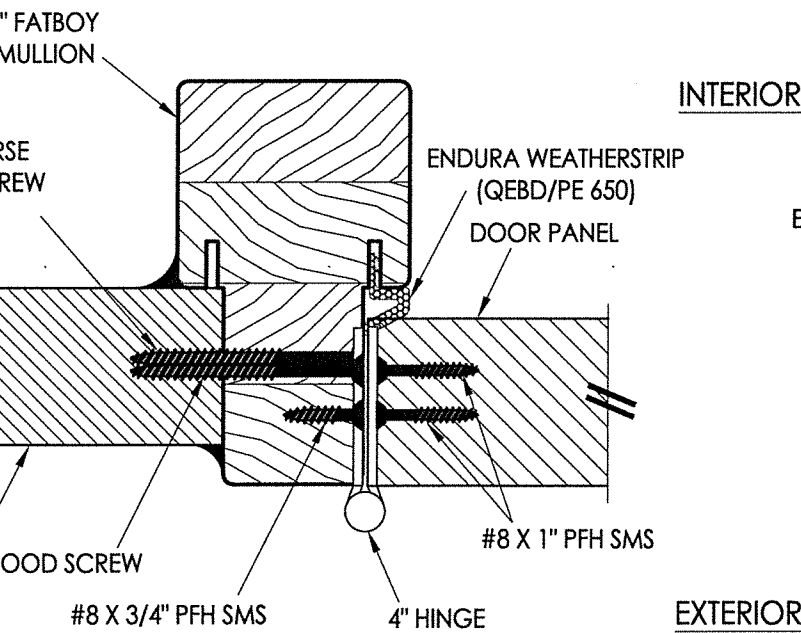
R:\Clients\Endura PERMANENT\B - Texas Dept of Ins\TDI - DR-888 Masonite FG VG GLAZED (Trilennium)\C - Drawings\TX-4690.91.93.94.dwg, 4.4



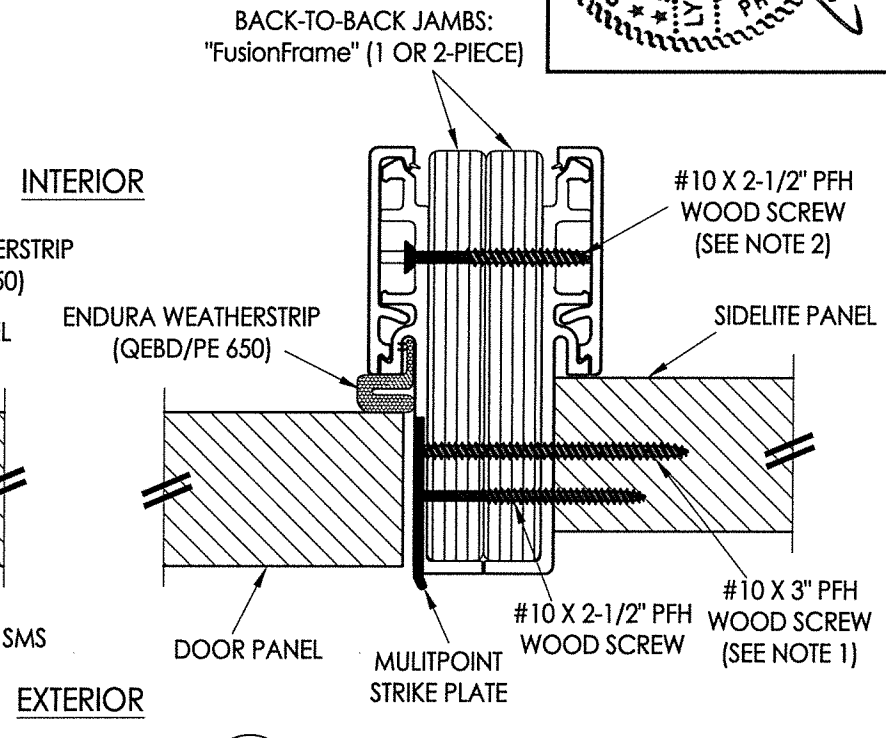
- NOTES:**
1. Spacing for sidelite screws: 6.5", 35.5", 57.25" and 85" from head to sill (4 total).
 2. Spacing for mullion screws: 6" from each end plus 3 more equally spaced (5 total).



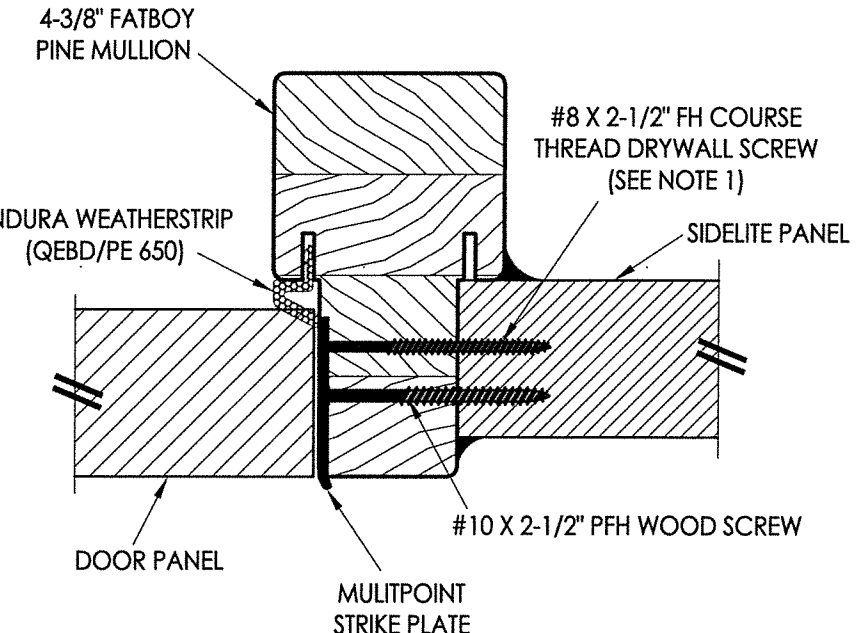
3 HORIZONTAL CROSS SECTION
Outswing shown - Inswing also approved



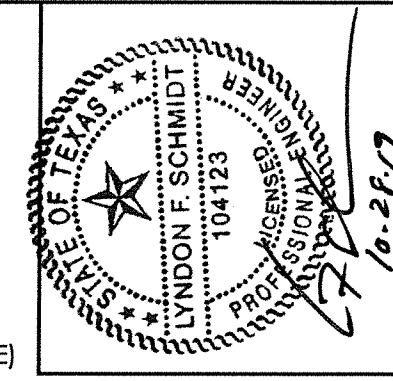
1 HORIZONTAL CROSS SECTION
Outswing shown - Inswing also approved



4 HORIZONTAL CROSS SECTION
Outswing shown - Inswing also approved



2 HORIZONTAL CROSS SECTION
Outswing shown - Inswing also approved



Documents Prepared By: Lyndon F. Schmidt, P.E.
TEXAS P.E. #104123

RW BUILDING CONSULTANTS, INC.
P.O. Box 230 Valrico FL, 33595
Phone No.: 813.659.9197

TEXAS BOARD OF PROFESSIONAL ENGINEERS
CERTIFICATE OF REGISTRATION # F-11852

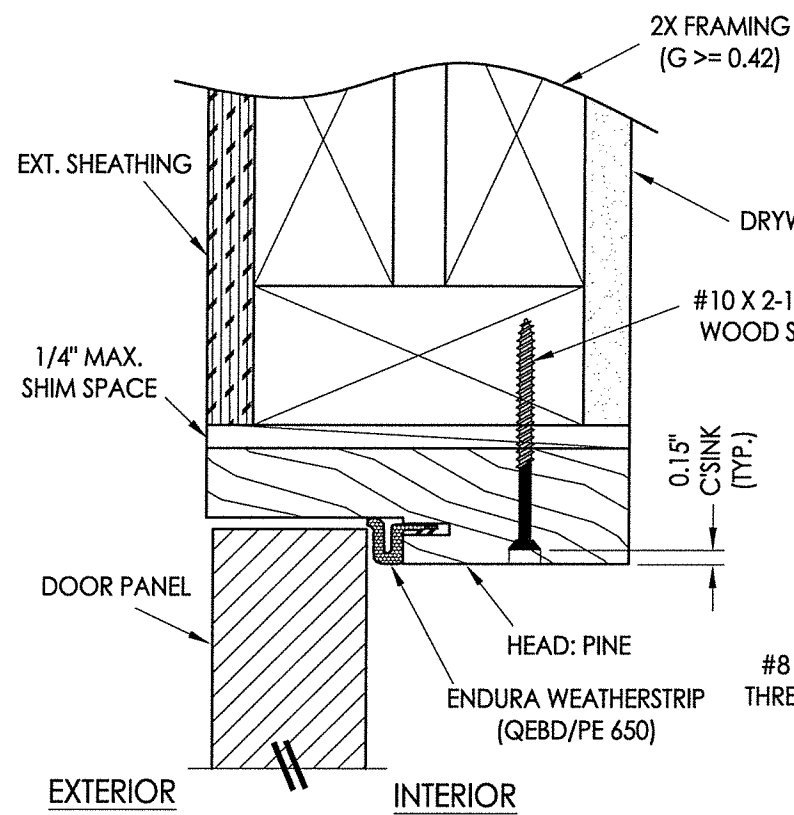
| | |
|-------------------|---------------------------|
| PRODUCT: | ENDURA |
| PART OR ASSEMBLY: | Steel DOOR |
| | HORIZONTAL CROSS SECTIONS |

| NO. | DATE | BY | REVISIONS |
|-----|----------|-----|--|
| 1 | 10/24/19 | LFS | ADD "FusionFrame" OPTION & UPDATE TO 2018 IBC/IRC CODE |

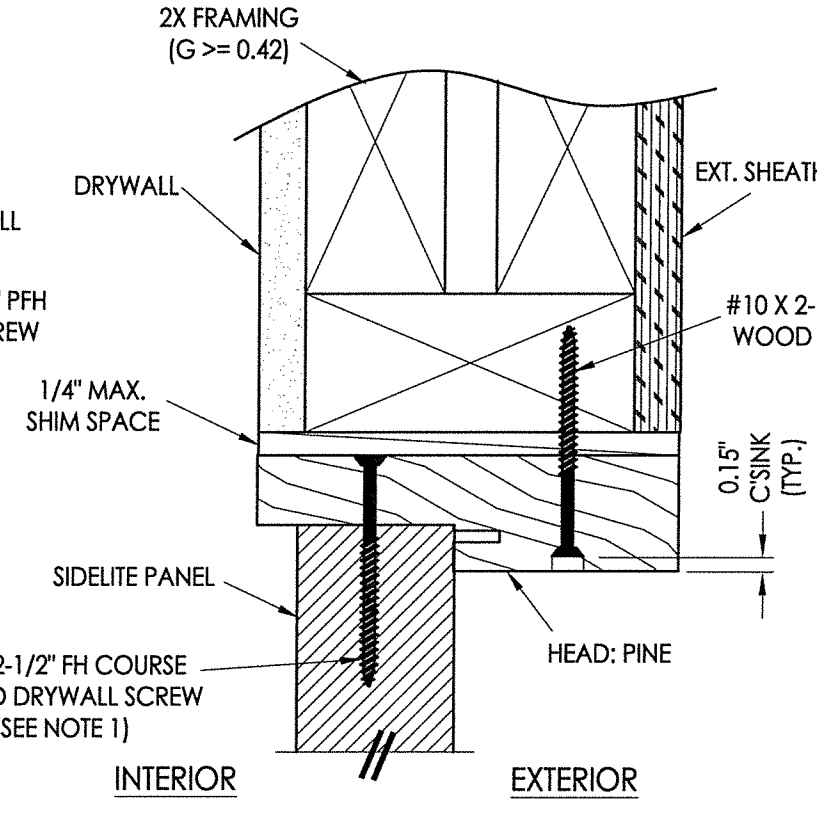
| | |
|--------------|---------|
| DATE: | 4/27/17 |
| SCALE: | N.T.S. |
| DWG. BY: | JK |
| CHK. BY: | LFS |
| DRAWING NO.: | TX-4693 |
| SHEET | 4 OF 7 |

© 2017 R.W. BUILDING CONSULTANTS INC.

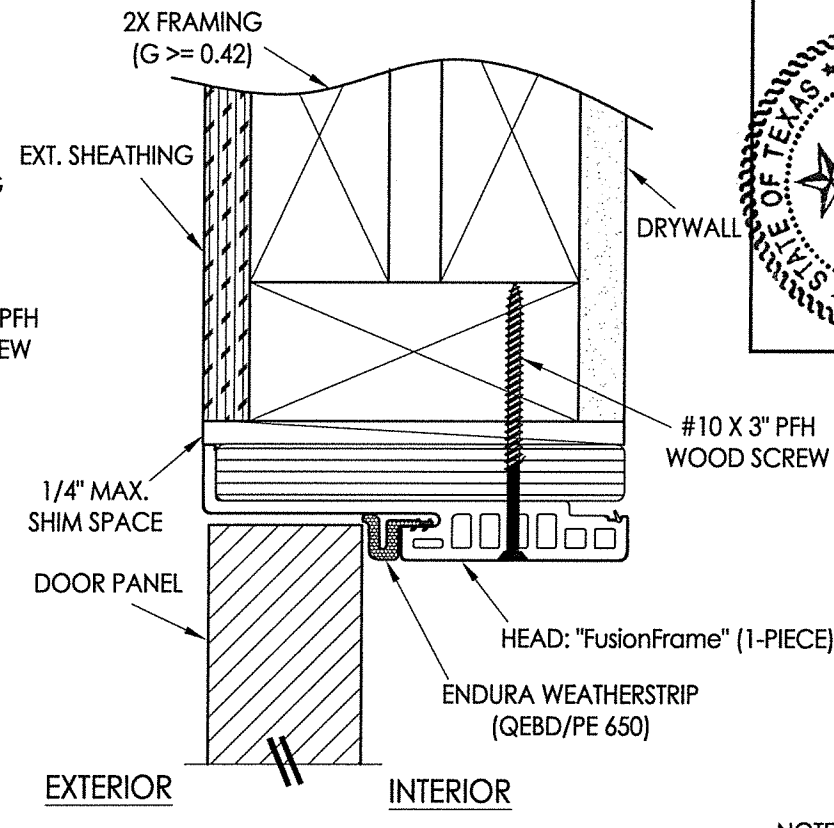
R:\Clients\Endura PERMANENT\B - Texas Dept of Ins\TDI - DR-888 Masonite FG VG GLAZED (Trilennium)\C - Drawings\TX-4690.91.93.94.dwg, 5.4



1 VERTICAL CROSS SECTION
5 Outswing shown - inswing also approved

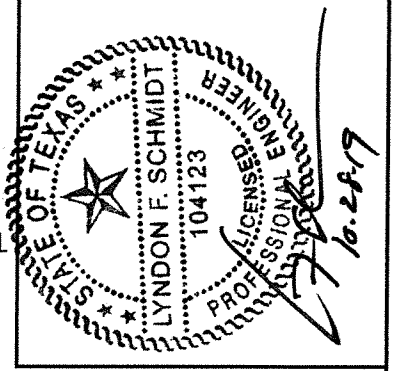


2 VERTICAL CROSS SECTION
5 Inswing shown - Outswing also approved

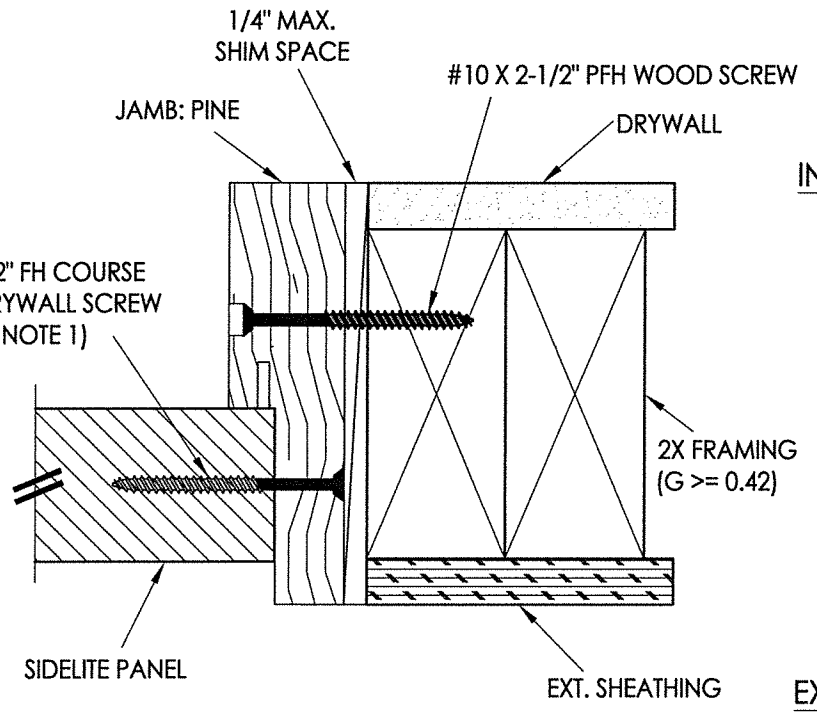
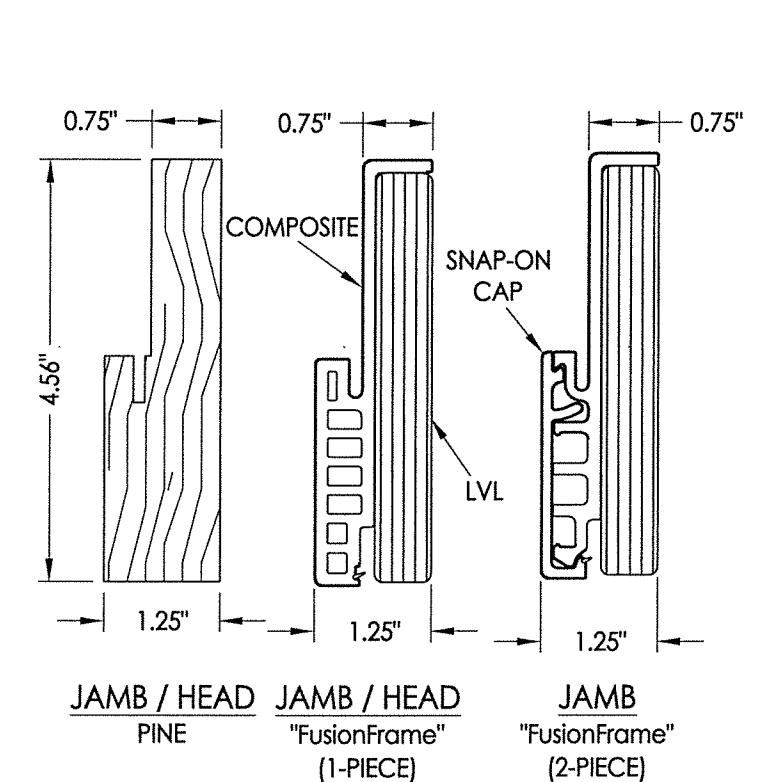


3 VERTICAL CROSS SECTION
5 Outswing shown - inswing also approved

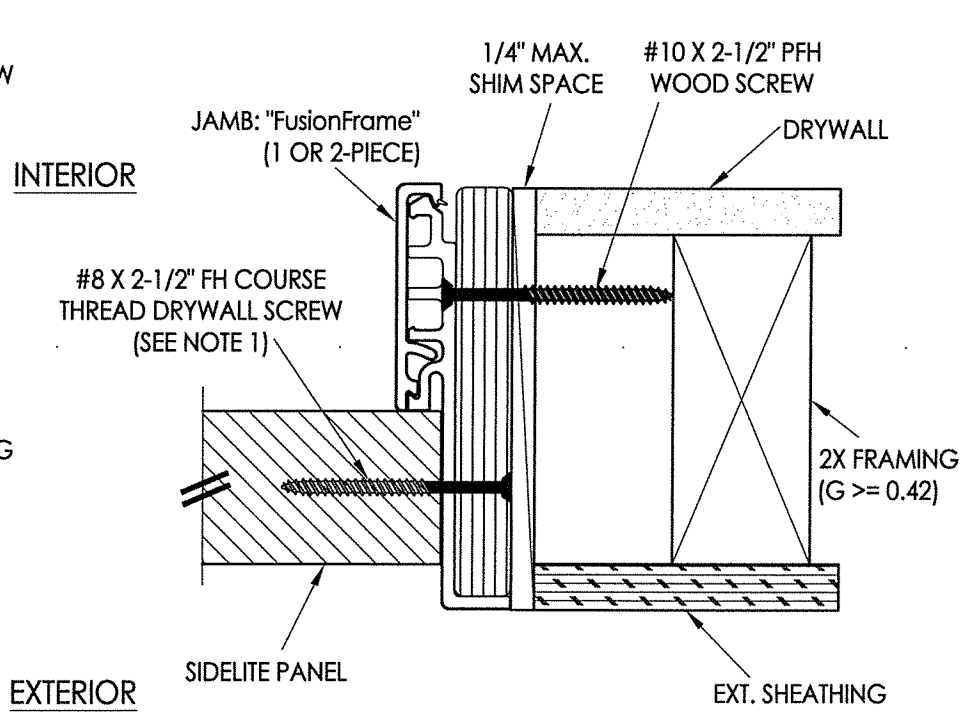
NOTE:
 1. Spacing for sidelite screws: 6" from each end (2 total).



Documents Prepared By: Lyndon F. Schmidt, P.E.
 TEXAS P.E. #104123
RW BUILDING CONSULTANTS, INC.
 P.O. Box 230 Valrico FL 33595
 Phone No.: 813.659.9197
 TEXAS BOARD OF PROFESSIONAL ENGINEERS
 CERTIFICATE OF REGISTRATION # F-11852



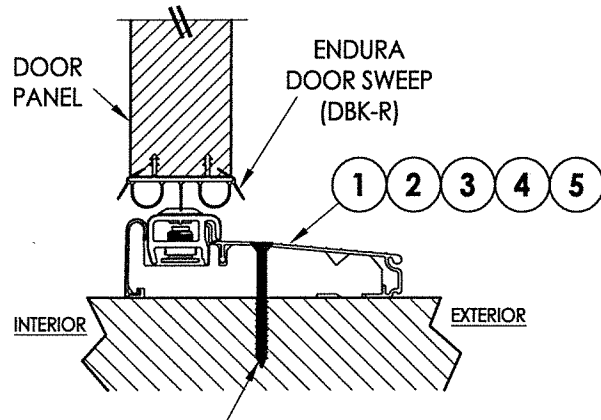
4 HORIZONTAL CROSS SECTION
5 Outswing shown - Inswing also approved



5 HORIZONTAL CROSS SECTION
5 Outswing shown - Inswing also approved

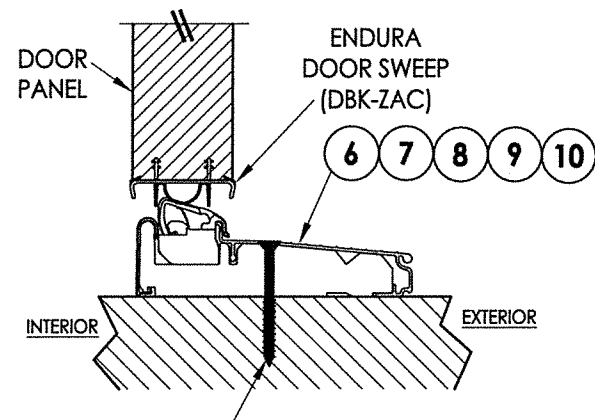
| | | |
|--|-------------------------|-----|
| PRODUCT: | ENDURA | |
| PART OR ASSEMBLY: | VERTICAL CROSS SECTIONS | |
| NO. | DATE | BY |
| 1 | 10/24/19 | LFS |
| ADD "FusionFrame" OPTION & UPDATE TO 2018 IBC/IRC CODE | | |
| REVISIONS | | |
| DATE: | 4/27/17 | |
| SCALE: | N.T.S. | |
| DWG. BY: | JK | |
| CHK. BY: | LFS | |
| DRAWING NO.: | TX-4693 | |
| SHEET | 5 OF 7 | |

© 2017 R.W. BUILDING CONSULTANTS INC.



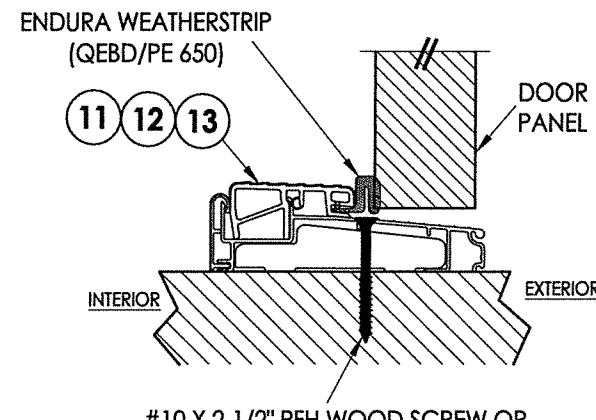
#10 X 2-1/2" PFH WOOD SCREW OR
1/4" X 2-3/4" ELCO OR ITW CONCRETE SCREW

1 VERTICAL CROSS SECTION
6 Inswing Adjustable Threshold



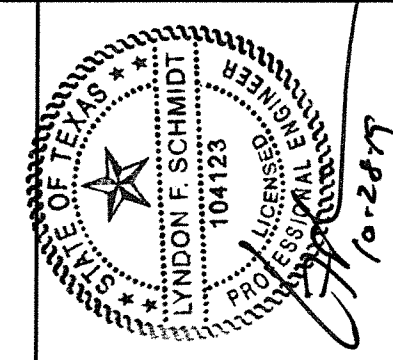
#10 X 2-1/2" PFH WOOD SCREW OR
1/4" X 2-3/4" ELCO OR ITW CONCRETE SCREW

2 VERTICAL CROSS SECTION
6 Inswing Articulating Threshold

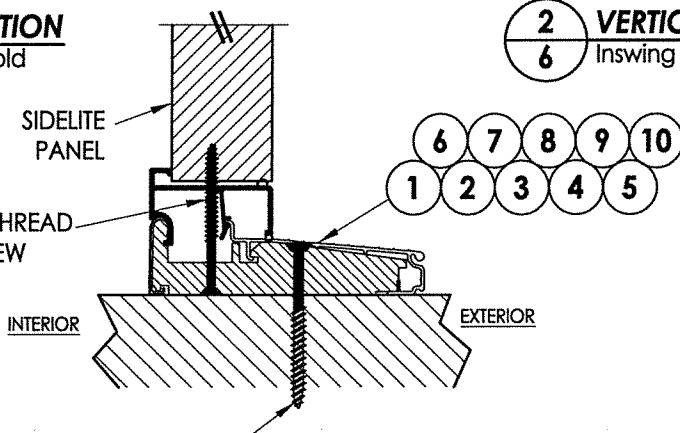


#10 X 2-1/2" PFH WOOD SCREW OR
1/4" X 2-3/4" ELCO OR ITW CONCRETE SCREW

3 VERTICAL CROSS SECTION
6 Outswing Bump Threshold

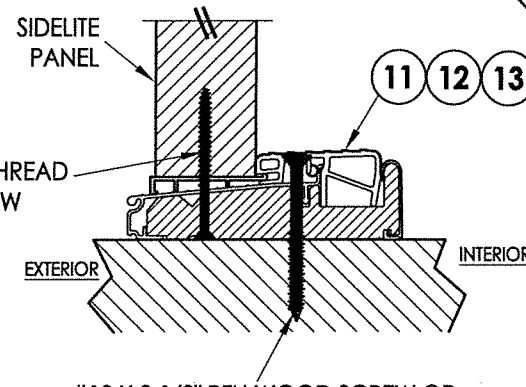


NOTE:
1. Spacing for sidelite screws:
6" from each end (2 total).



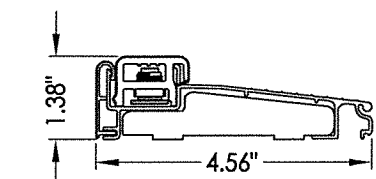
#10 X 2-1/2" PFH WOOD SCREW OR
1/4" X 2-3/4" ELCO OR ITW CONCRETE SCREW

4 VERTICAL CROSS SECTION
6 Inswing configuration

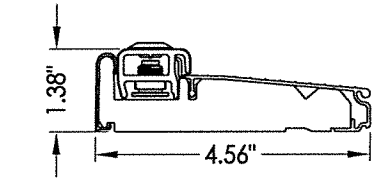


#10 X 2-1/2" PFH WOOD SCREW OR
1/4" X 2-3/4" ELCO OR ITW CONCRETE SCREW

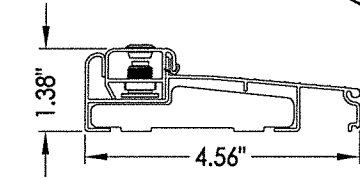
5 VERTICAL CROSS SECTION
6 Outswing configuration



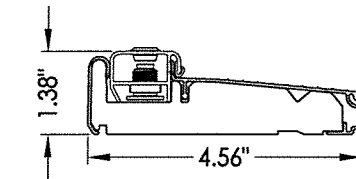
1 INSWING ADJUSTABLE THRESHOLD
ZAIL4565



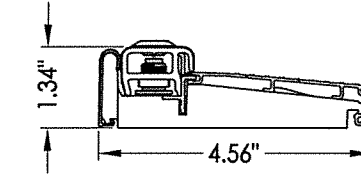
2 INSWING ADJUSTABLE THRESHOLD
ZAI4565FN



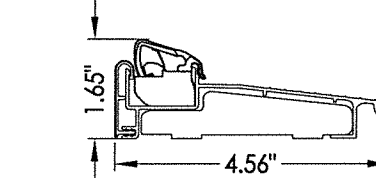
3 INSWING ADJUSTABLE THRESHOLD
ZAILAA4565



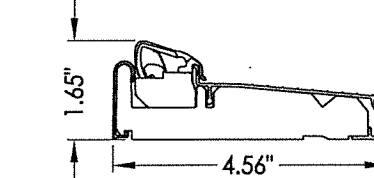
4 INSWING ADJUSTABLE THRESHOLD
ZAIAA4565FN



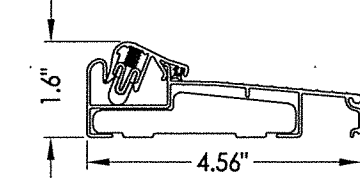
5 INSWING ADJUSTABLE THRESHOLD
ZAI4565RDS



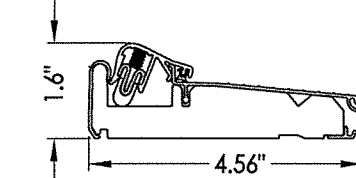
6 INSWING ARTICULATING THRESHOLD
ZACL4565



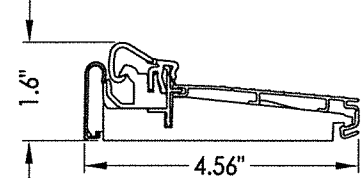
7 INSWING ARTICULATING THRESHOLD
ZAC4565FN



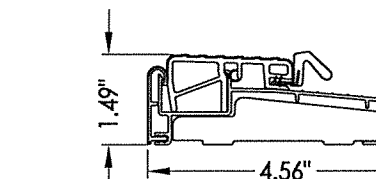
8 INSWING ARTICULATING THRESHOLD
ZACLAA4565



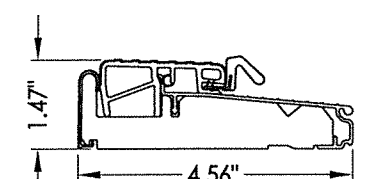
9 INSWING ARTICULATING THRESHOLD
ZACAA4565FN



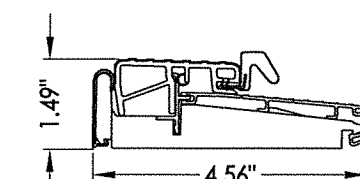
10 INSWING ARTICULATING THRESHOLD
ZAC4565RDS



11 OUTSWING THRESHOLD
ZOBL4565



12 OUTSWING THRESHOLD
ZOB4565FN



13 OUTSWING THRESHOLD
ZOB4565RDS

Documents Prepared By: Lyndon F. Schmidt, P.E.
TEXAS P.E. #104123

R.W. BUILDING CONSULTANTS, INC.
P.O. Box 230 Vailrico FL 33595
Phone No.: 813.659.9197

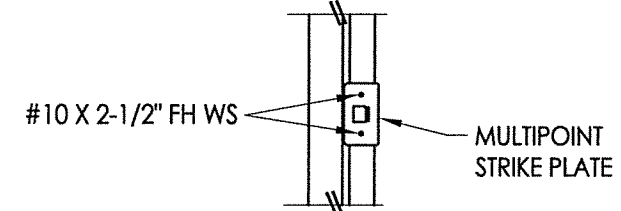
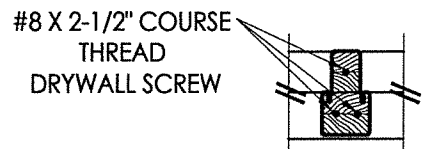
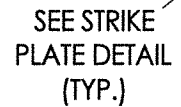
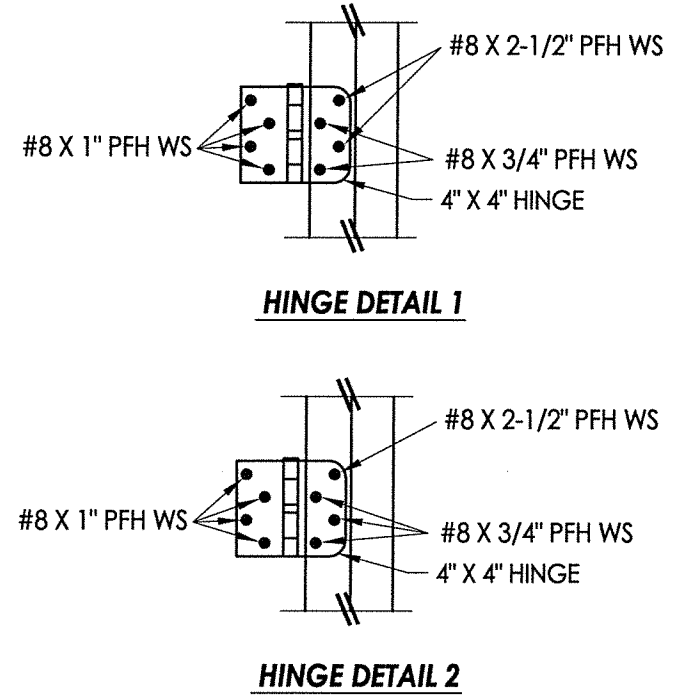
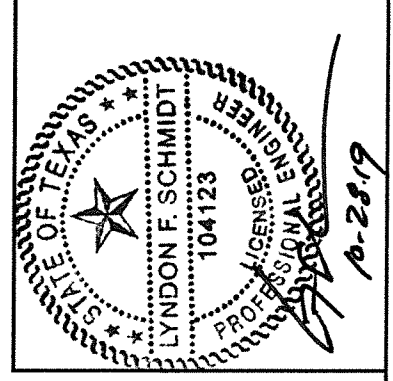
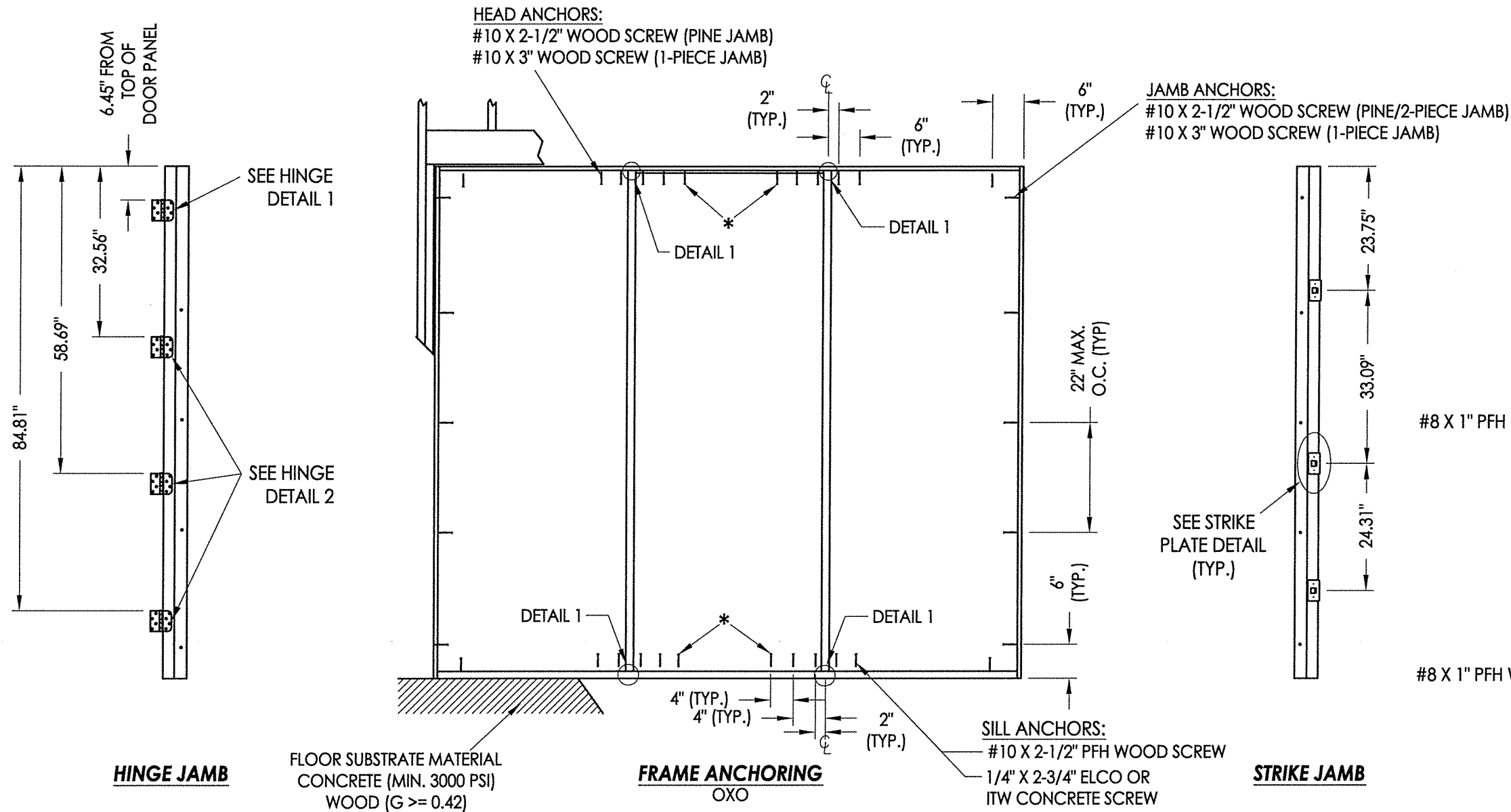
TEXAS BOARD OF PROFESSIONAL ENGINEERS
CERTIFICATE OF REGISTRATION # F-11852

PRODUCT: ENDURA

PART OR ASSEMBLY: VERTICAL CROSS SECTIONS

| NO. | DATE | BY | REVISIONS |
|-----|----------|-----|--|
| 1 | 10/24/19 | LFS | ADD "FusionFrame" OPTION & UPDATE TO 2018 IBC/IRC CODE |

DATE: 4/27/17
SCALE: N.T.S.
DWG. BY: JK
CHK. BY: LFS
DRAWING NO.: TX-4693
SHEET 6 OF 7



* NOTE: These anchors are required for D.P. > 40 PSF.

JAMB NOTES:
 THE PINE OR "FusionFrame" 1-PIECE JAMB MAY BE INSTALLED @ THE HEAD OR SIDE JAMB.
 THE FusionFrame" 2-PIECE JAMB MAY BE INSTALLED @ THE SIDE JAMBS ONLY.

INTEGRAL MULLION NOTES:
 THE FATBOY PINE MULLION, "FusionFrame" MULLION, OR THE "FusionFrame" BACK-TO-BACK JAMB (1-PIECE OR 2-PIECE) MAY ALL BE USED AS THE INTEGRAL MULLION.

- CONCRETE ANCHOR NOTES:**
- Concrete anchor locations at the corners may be adjusted to maintain the min. edge distance to mortar joints.
 - Concrete anchor locations noted as "MAX. ON CENTER" must be adjusted to maintain the min. edge distance to mortar joints, additional concrete anchors may be required to ensure the "MAX. ON CENTER" dimension are not exceeded.
 - Concrete anchor table:

| ANCHOR TYPE | ANCHOR SIZE | MIN. EMBEDMENT | MIN. CLEARANCE TO MASONRY EDGE | MIN. CLEARANCE TO ADJACENT ANCHOR |
|----------------|-------------|----------------|--------------------------------|-----------------------------------|
| ITW TAPCON® | 1/4" | 1-3/4" | 1-1/2" | 4" |
| ELCO ULTRACON® | 1/4" | 1-3/4" | 1" | 4" |

Documents Prepared By: Lyndon F. Schmidt, P.E.
 TEXAS P.E. #104123

RW BUILDING CONSULTANTS, INC.
 P.O. Box 230 Valrico FL, 33595
 Phone No.: 813.659.9197

TEXAS BOARD OF PROFESSIONAL ENGINEERS
 CERTIFICATE OF REGISTRATION # F-11852

PRODUCT: ENDURA

PART OR ASSEMBLY: FRAME ANCHORING

| NO. | DATE | REVISIONS |
|-----|----------|--|
| 1 | 10/24/19 | ADD "FusionFrame" OPTION & UPDATE TO 2018 IBC/IRC CODE |

DATE: 4/27/17
 SCALE: N.T.S.
 DWG. BY: JK
 CHK. BY: LFS
 DRAWING NO.: TX-4693
 SHEET 7 OF 7