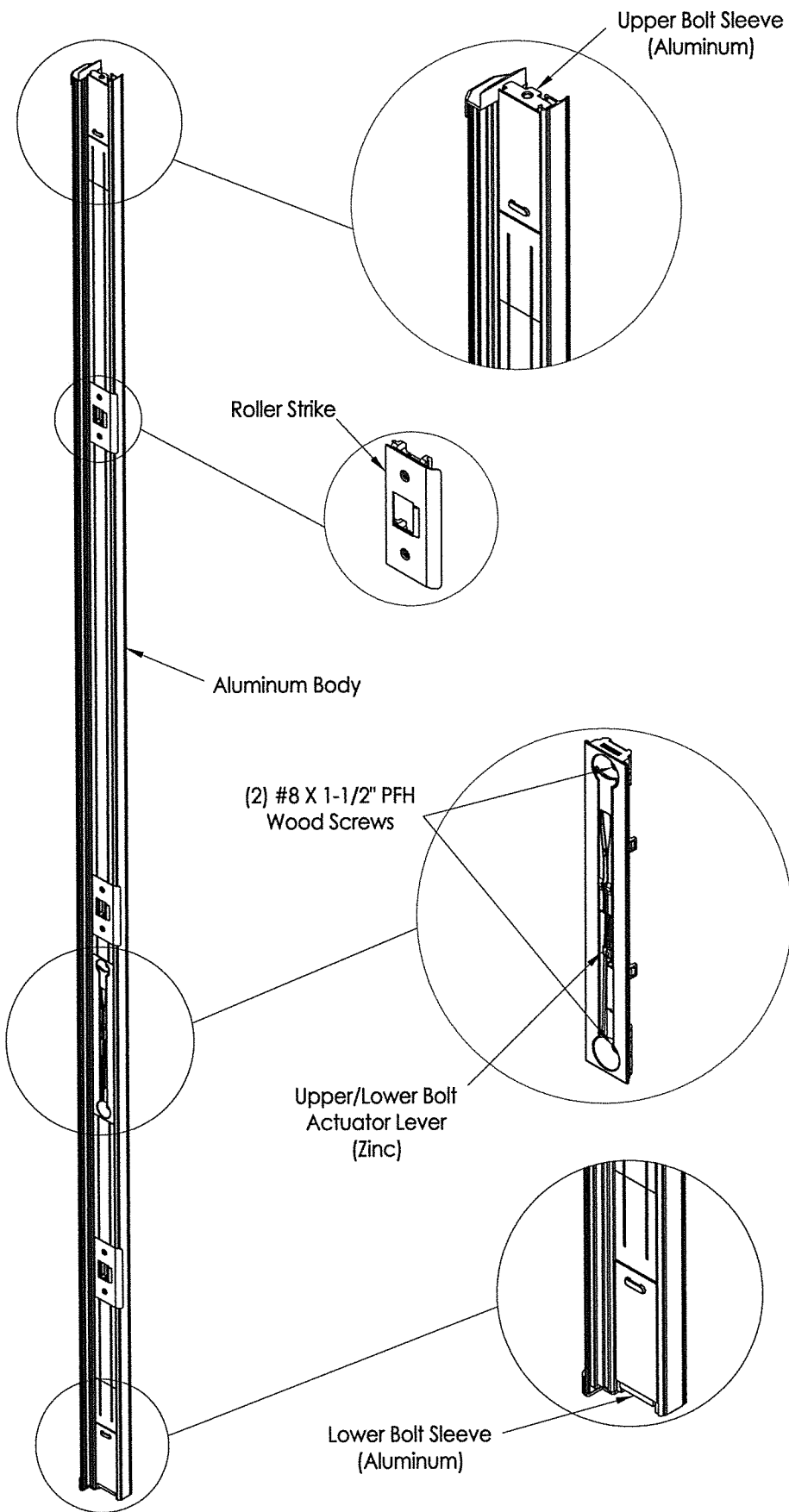
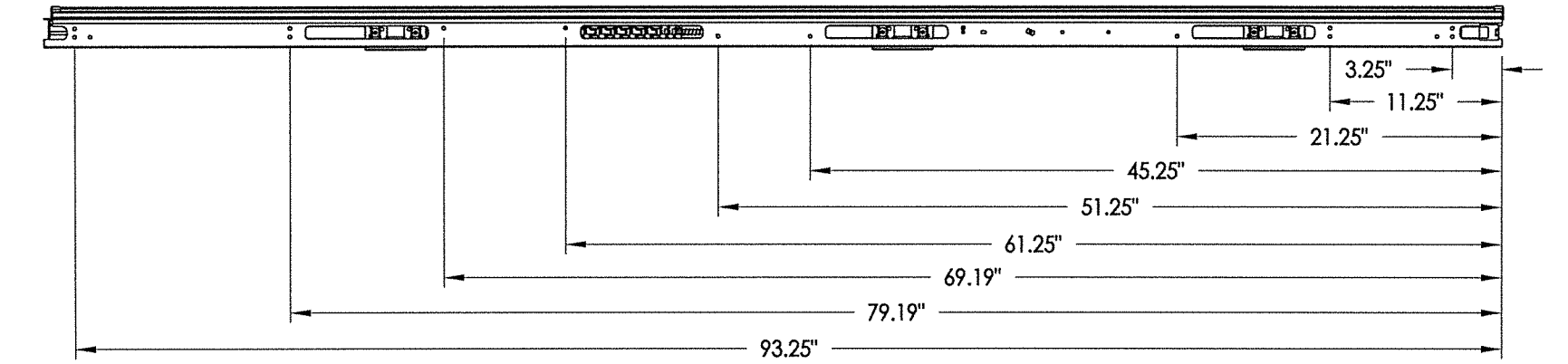


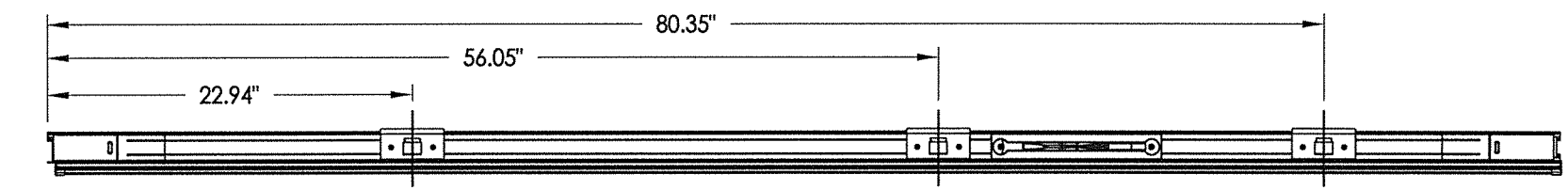
Z:\Clients\Endura PERMANENTB - Texas Dept of Ins\TDI - DR-853 Plastpro EG Opaque (Trilennium)\C - Drawings\TX-4658.59.61.62.dwg



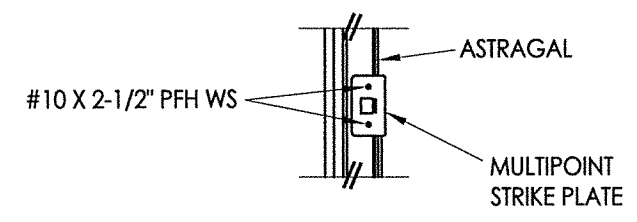
ULTIMATE TRILENNIUM ASTRAGAL



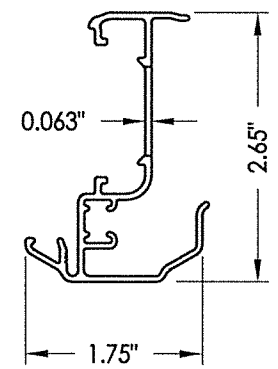
ANCHOR SCREW LOCATIONS



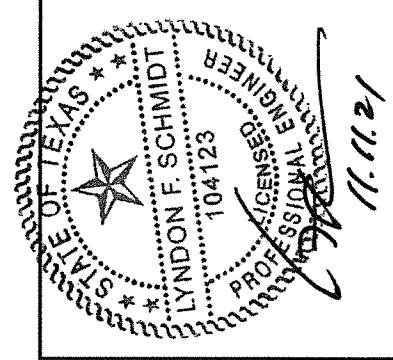
HARDWARE LOCATIONS



STRIKE PLATE DETAIL



Astragal Section



Documents Prepared By: Lyndon F. Schmidt, P.E.
TEXAS P.E. #104123

R.W. BUILDING CONSULTANTS, INC.
P.O. Box 230 Valrico FL 33595
Phone No.: 813.659.9197

TEXAS BOARD OF PROFESSIONAL ENGINEERS
CERTIFICATE OF REGISTRATION # F-11852

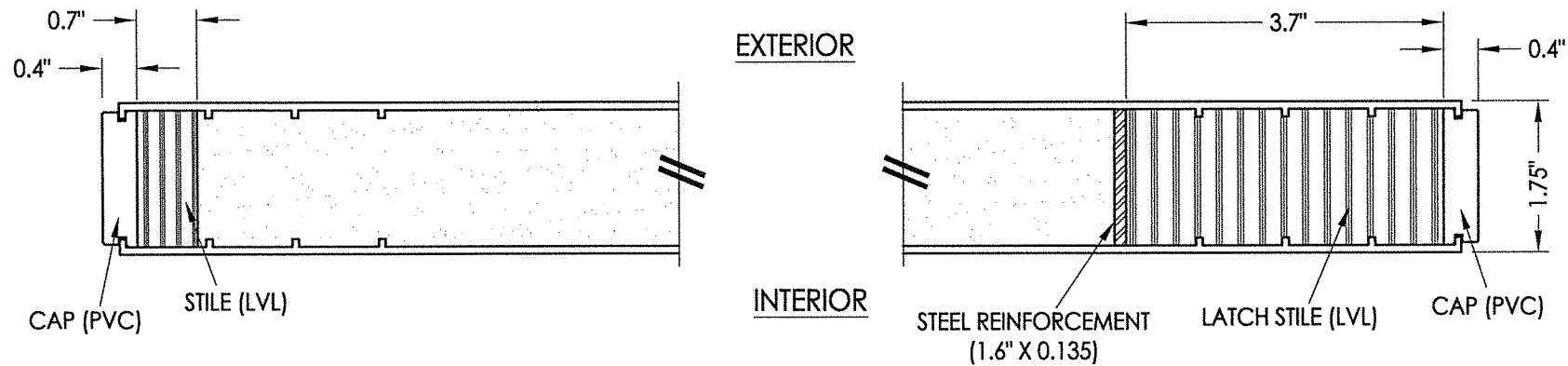
PRODUCT: ENDURA

PART OR ASSEMBLY: ASTRAGAL DETAILS (ULTIMATE TRILENNIUM)

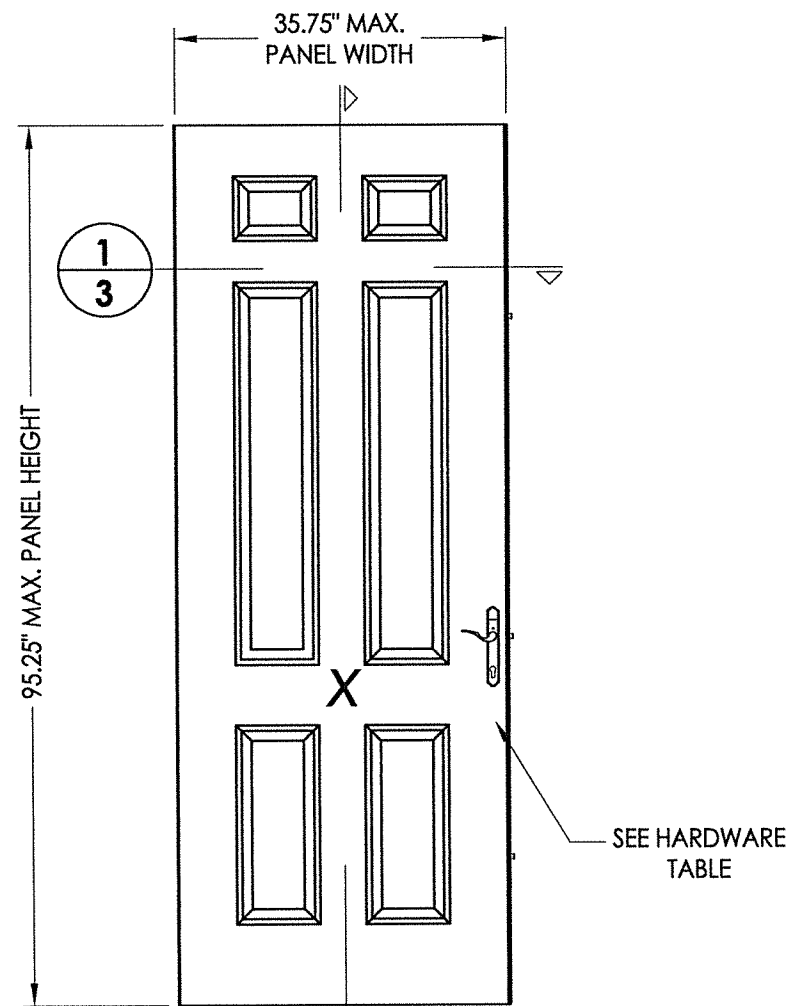
NO.	DATE	REVISIONS	BY
1	10/26/21	UPDATE TO 2018 IBC/IRC CODE	LFS

DATE: 11/09/16
SCALE: N.T.S.
DWG. BY: JK
CHK. BY: LFS
DRAWING NO.: TX-4662
SHEET 2 OF 6

Z:\Clients\Endura PERMANENT\B - Texas Dept of Ins\TDI - DR-853 Plastpro FG Opaque (Triennium)\C - Drawings\TX-4658.59.61.62.dwg

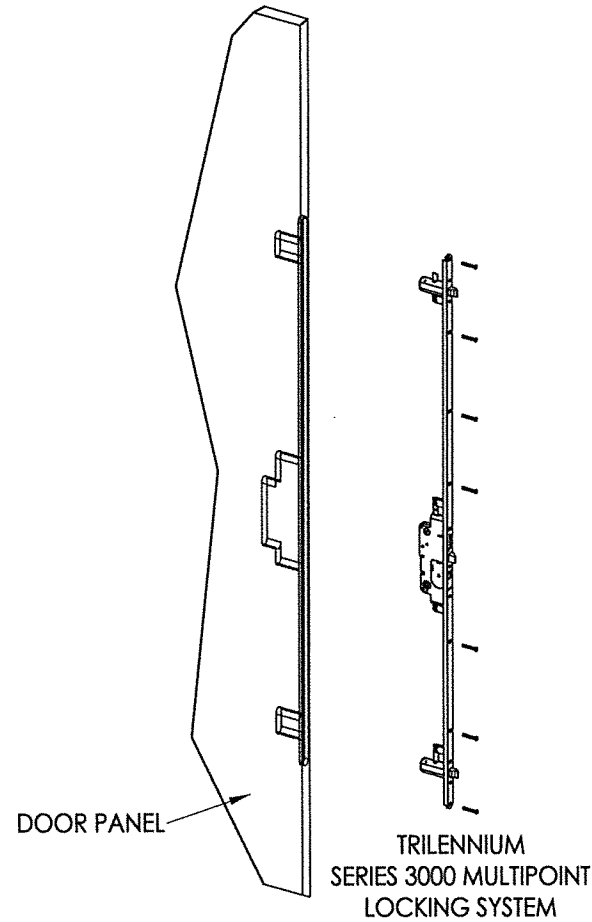


1
3 HORIZONTAL CROSS SECTION

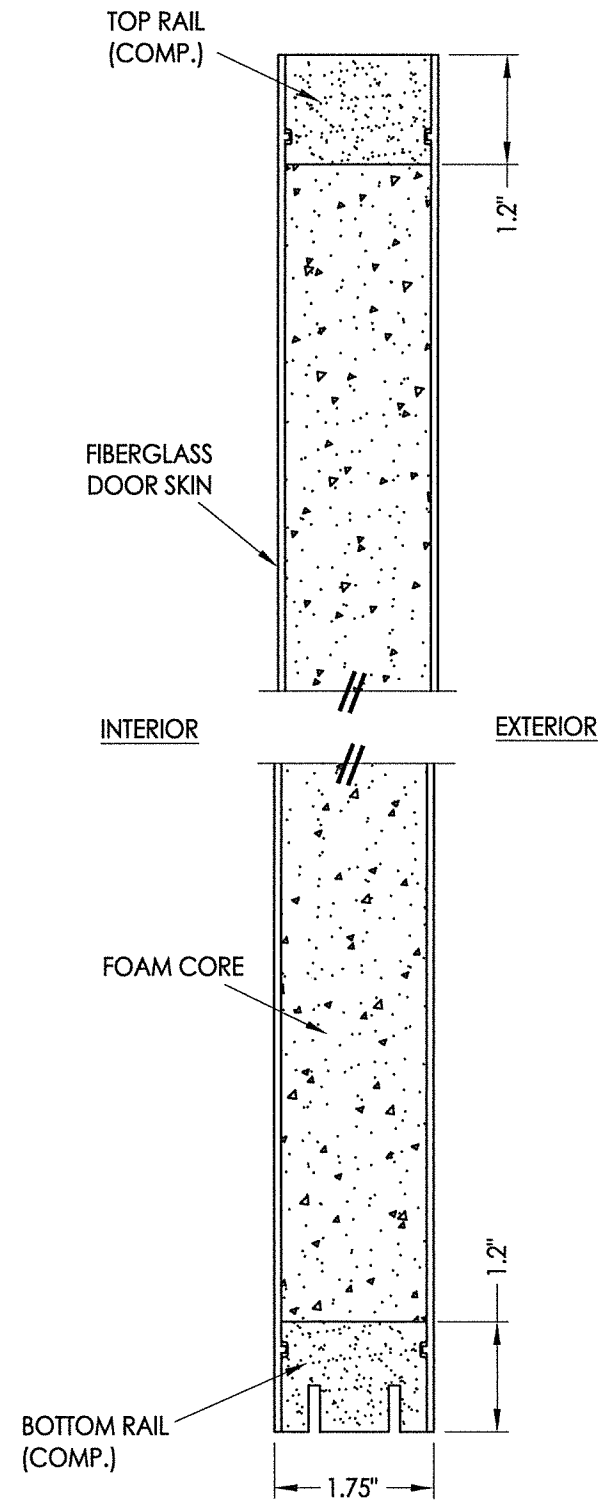


2
3 DOOR PANEL
Plastpro
Fiberglass

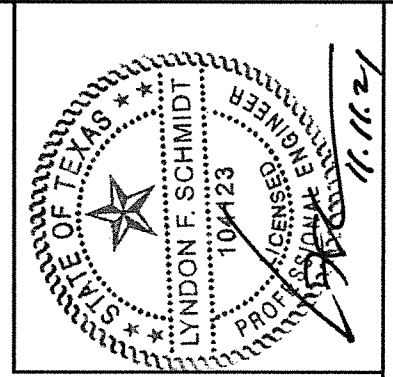
DOOR SKIN: FIBERGLASS (0.075" MIN. THICKNESS)
CORE MATERIAL: POLYURETHANE FOAM (1.9 PCF MIN.)



HARDWARE TABLE	
MANUFACTURER	MODEL
Endura	Triennium® 3000 Series Multipoint lock (3pt.)



2
3 VERTICAL CROSS SECTION



Documents Prepared By: Lyndon F. Schmidt, P.E.
TEXAS P.E. #104123

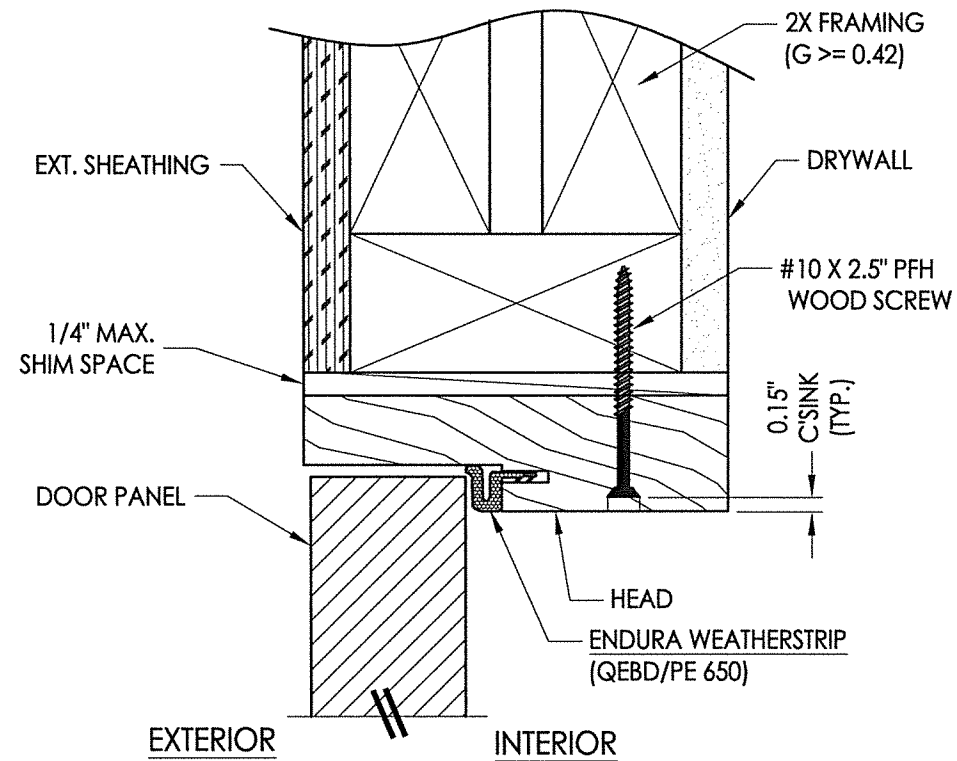
RW BUILDING CONSULTANTS, INC.
P.O. Box 230 Valrico FL 33595
Phone No.: 813.659.9197
TEXAS BOARD OF PROFESSIONAL ENGINEERS
CERTIFICATE OF REGISTRATION # F-11852

PRODUCT:	ENDURA
PART OR ASSEMBLY:	DOOR PANEL DETAILS & GLAZING DETAIL

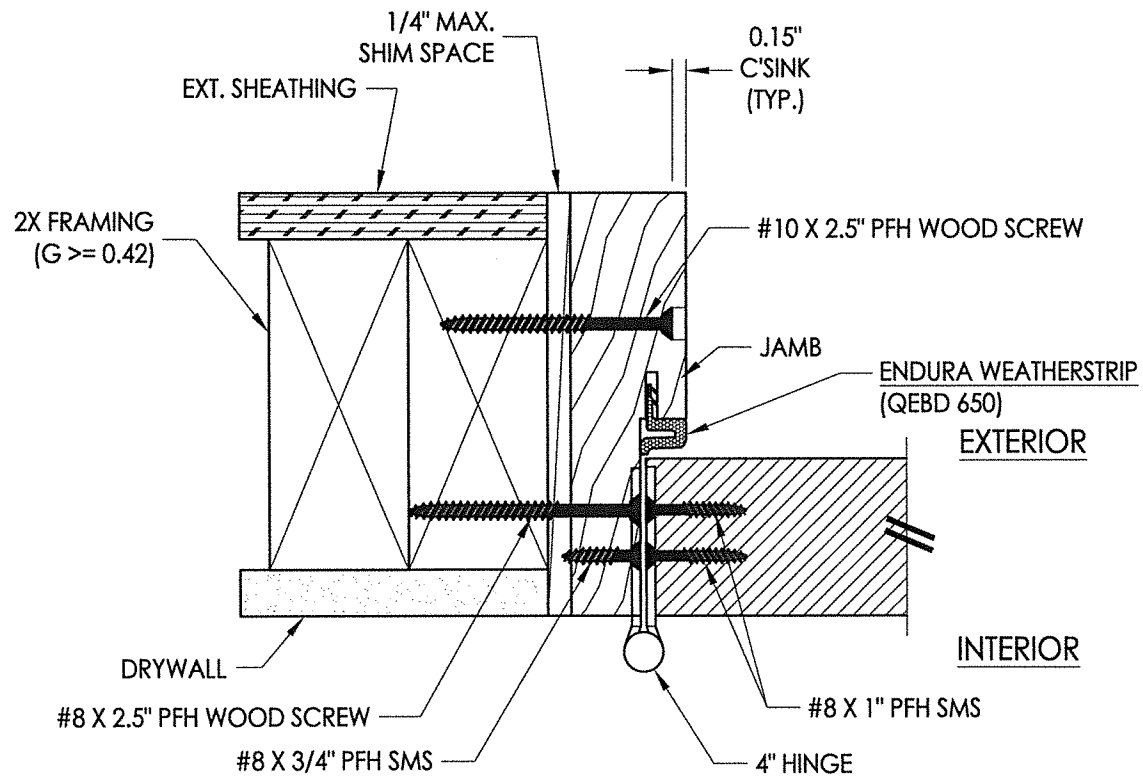
NO.	DATE	REVISIONS
1	10/26/21	UPDATE TO 2018 IBC/IRC CODE
		LFS
		BY

DATE:	11/09/16
SCALE:	N.T.S.
DWG. BY:	JK
CHK. BY:	LFS
DRAWING NO.:	TX-4662
SHEET	3 of 6

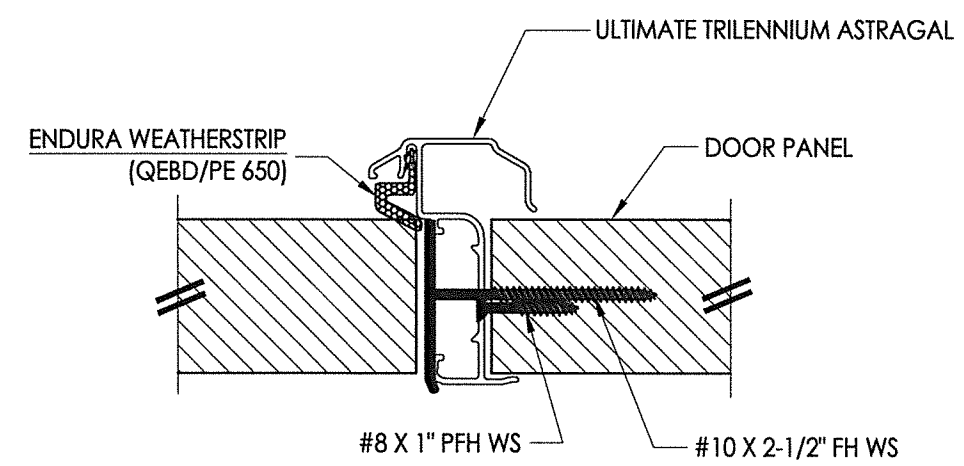
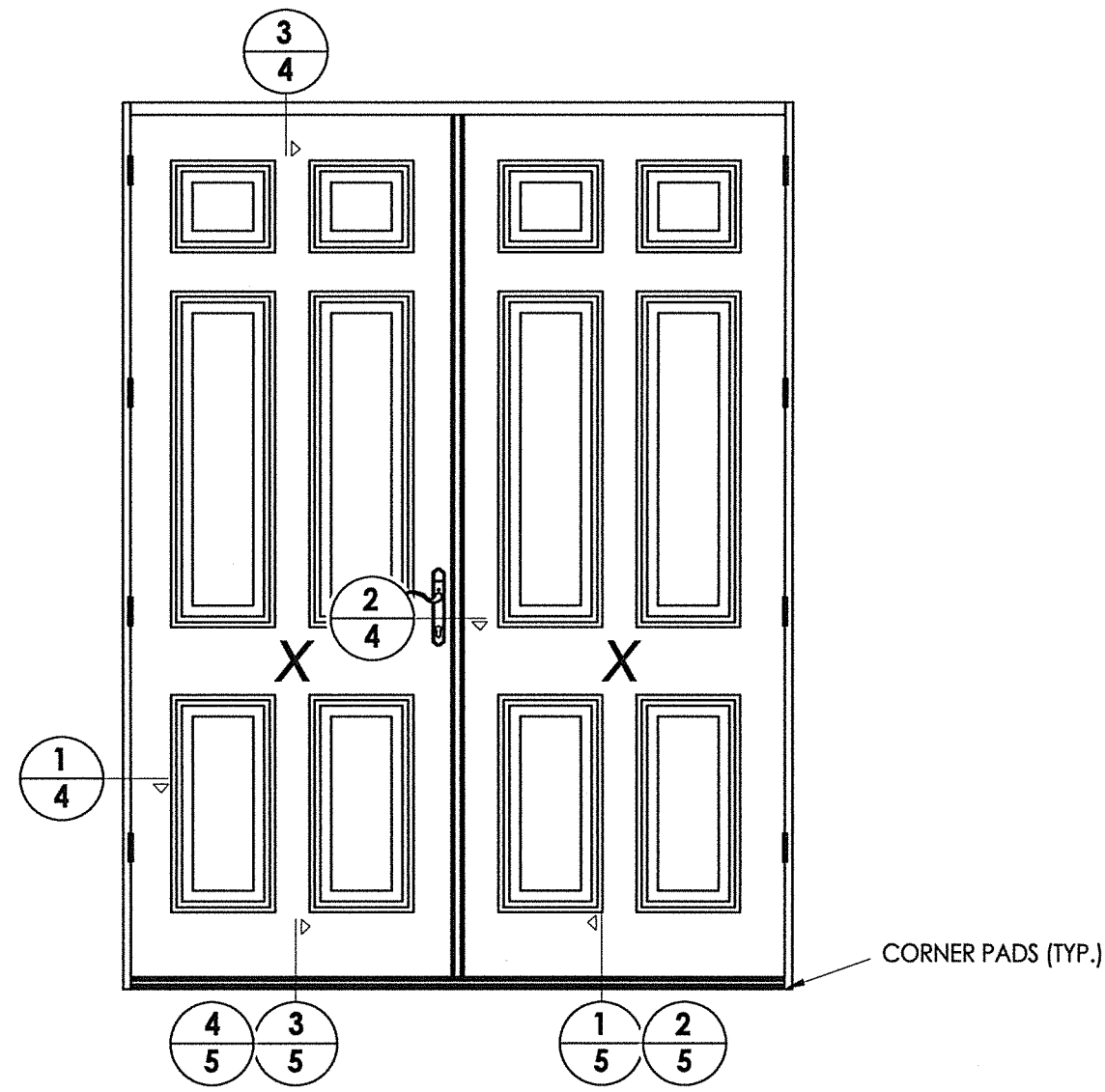
Z:\Clients\Endura PERMANENT\B - Texas Dept of Ins\YDI - DR-853 Plastpro FG Opaque (Trilennium)\C - Drawings\TX-4658.59.61.62.dwg



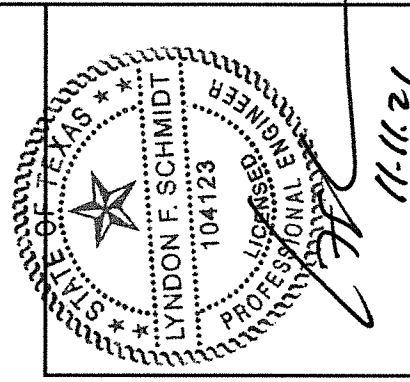
3 VERTICAL CROSS SECTION
4 Outswing shown - inswing also approved



1 HORIZONTAL CROSS SECTION
4 Inswing shown - Outswing also approved



2 HORIZONTAL CROSS SECTION
4



Documents Prepared By: Lyndon F. Schmidt, P.E.
 TEXAS P.E. #104123

RW BUILDING CONSULTANTS, INC.
 P.O. Box 230 Vairico FL 33595
 Phone No.: 813.659.9197

TEXAS BOARD OF PROFESSIONAL ENGINEERS
 CERTIFICATE OF REGISTRATION # F-11852

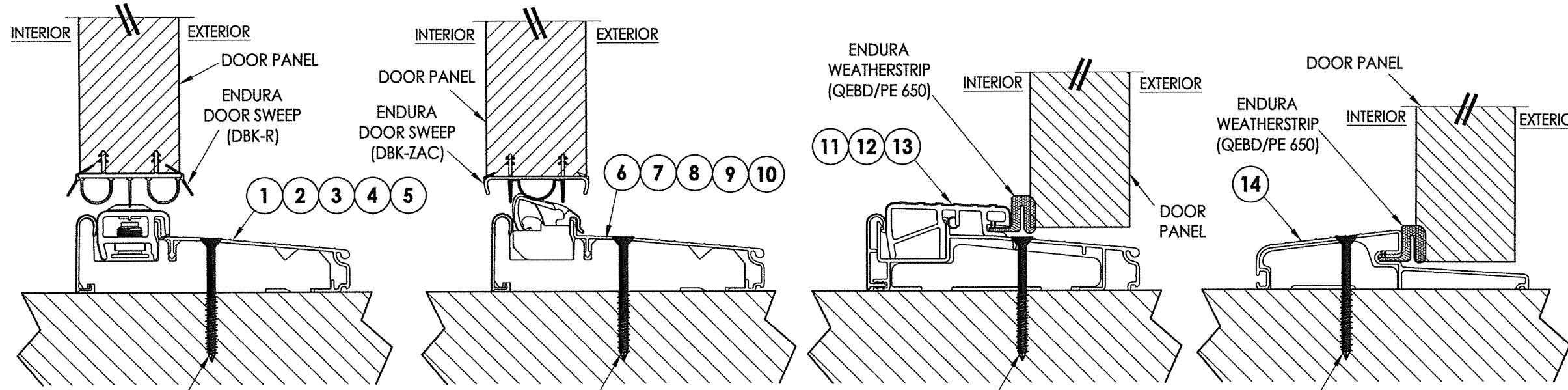
PRODUCT: ENDURA

PART OR ASSEMBLY: HORIZONTAL & VERTICAL CROSS SECTIONS

NO.	DATE	BY	REVISIONS
1	10/26/21	LFS	UPDATE TO 2018 IBC/IRC CODE

DATE: 11/09/16
 SCALE: N.T.S.
 DWG. BY: JK
 CHK. BY: LFS
 DRAWING NO.: TX-4662
 SHEET 4 OF 6

Z:\Clients\Endura PERMANENT\B - Texas Dept of Ins\TDI - DR-853 Plastpro FG Opaque (Triennium)\C - Drawings\TX-4658-59.61.62.dwg



#10 X 2.5" PFH WOOD SCREW OR
1/4" X 2-3/4" DeWALT OR ITW CONCRETE SCREW

#10 X 2.5" PFH WOOD SCREW OR
1/4" X 2-3/4" DeWALT OR ITW CONCRETE SCREW

#10 X 2.5" PFH WOOD SCREW OR
1/4" X 2-3/4" DeWALT OR ITW CONCRETE SCREW

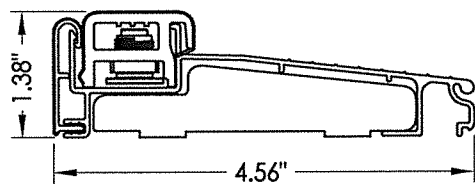
#10 X 2.5" PFH WOOD SCREW OR
1/4" X 2-3/4" DeWALT OR ITW CONCRETE SCREW

1 VERTICAL CROSS SECTION
5 Inswing Adjustable Threshold

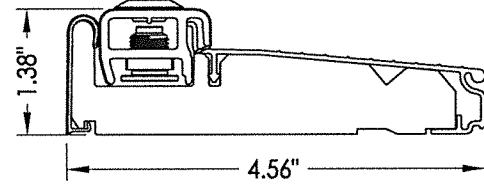
2 VERTICAL CROSS SECTION
5 Inswing Articulating Threshold w/ Pin Capture

3 VERTICAL CROSS SECTION
5 Outswing Bump Threshold

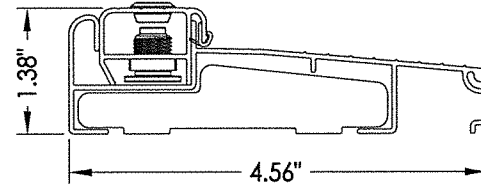
4 VERTICAL CROSS SECTION
5 Outswing Bump Threshold



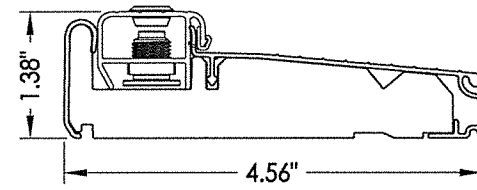
1 INSWING ADJUSTABLE THRESHOLD
ZAIL4565



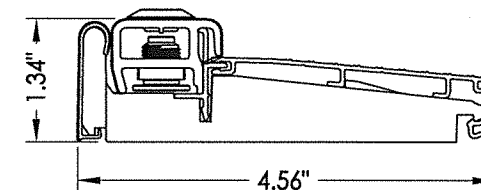
2 INSWING ADJUSTABLE THRESHOLD
ZAI4565FN



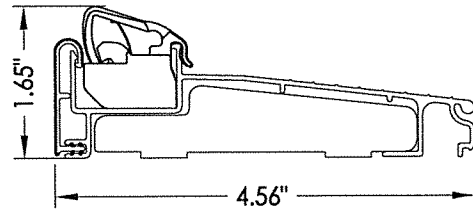
3 INSWING ADJUSTABLE THRESHOLD
ZAILAA4565



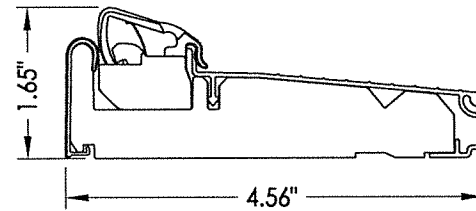
4 INSWING ADJUSTABLE THRESHOLD
ZAIAA4565FN



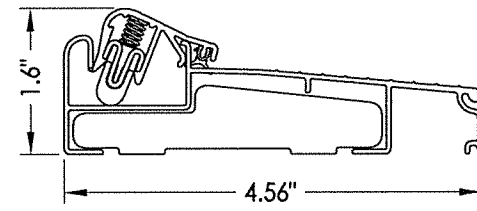
5 INSWING ADJUSTABLE THRESHOLD
ZAI4565RDS
MAX. DESIGN PRESSURE = ±40 PSF



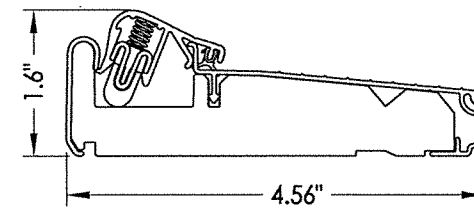
6 INSWING ARTICULATING THRESHOLD
ZACL4565



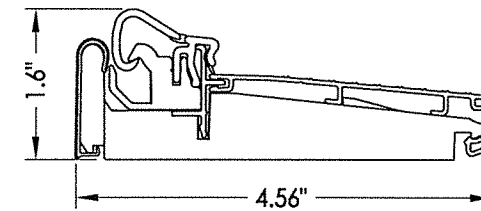
7 INSWING ARTICULATING THRESHOLD
ZAC4565FN
MAX. DESIGN PRESSURE = ±25 PSF



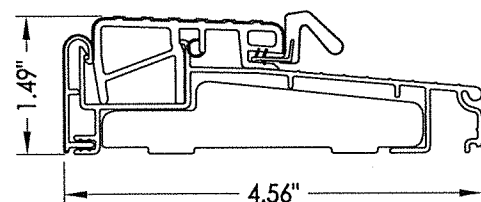
8 INSWING ARTICULATING THRESHOLD
ZACLAA4565



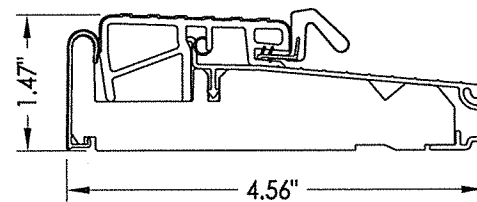
9 INSWING ARTICULATING THRESHOLD
ZACAA4565FN
MAX. DESIGN PRESSURE = ±25 PSF



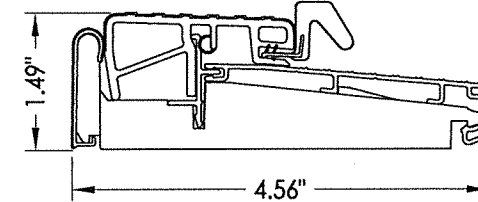
10 INSWING ARTICULATING THRESHOLD
ZAC4565RDS
MAX. DESIGN PRESSURE = ±35 PSF



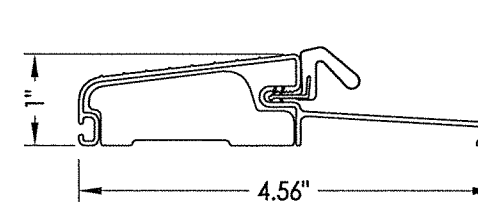
11 OUTSWING THRESHOLD
ZOBL4565



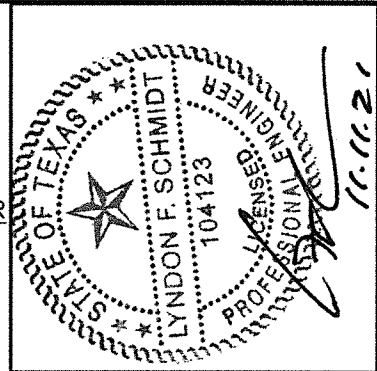
12 OUTSWING THRESHOLD
ZOB4565FN



13 OUTSWING THRESHOLD
ZOB4565RDS



14 OUTSWING THRESHOLD
FOB4566

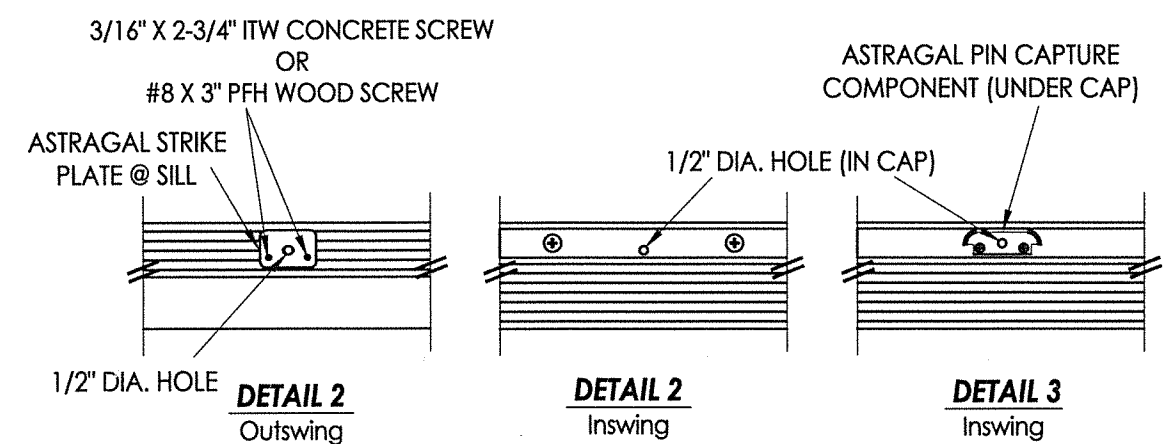
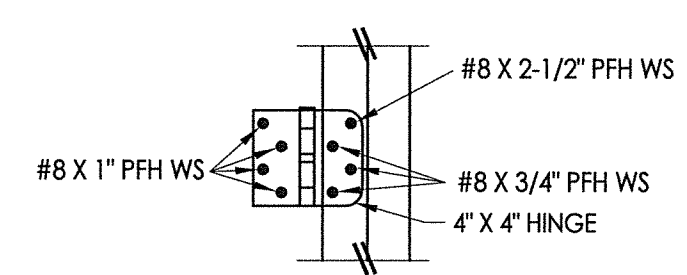
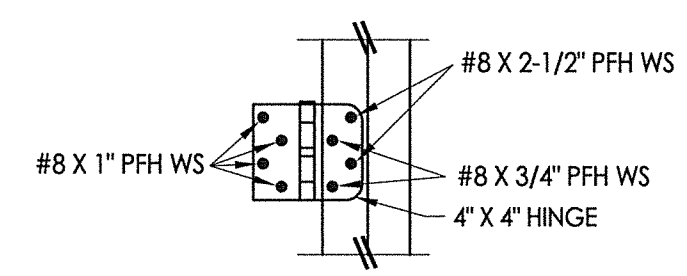
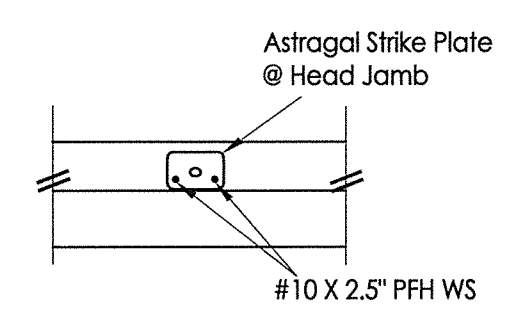
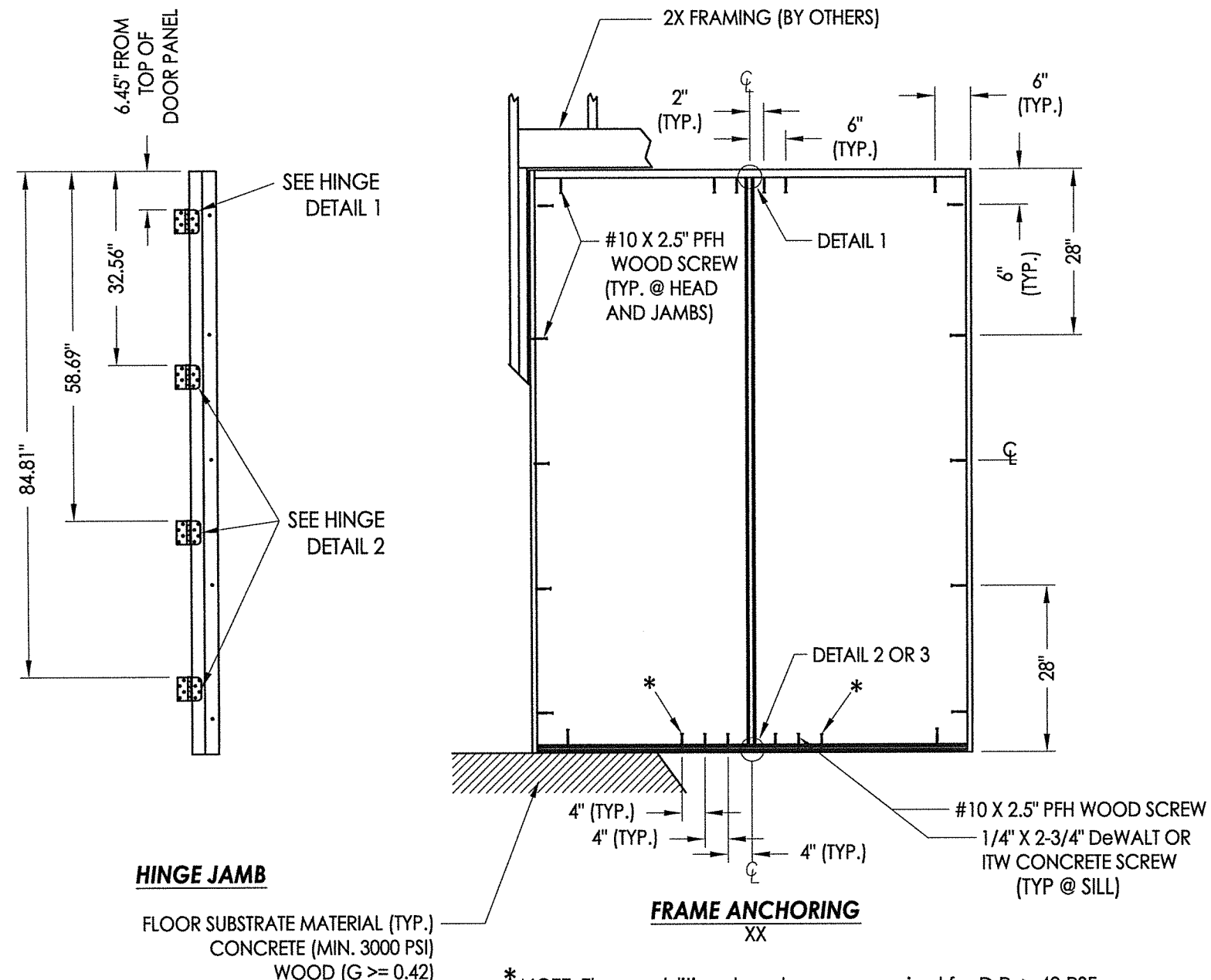


Documents Prepared By: Lyndon F. Schmidt, P.E.
TEXAS P.E. #104123

RW BUILDING CONSULTANTS, INC.
P.O. Box 230 Valrico FL 33595
Phone No.: 813.659.9197

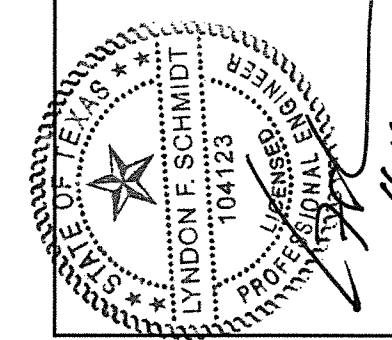
TEXAS BOARD OF PROFESSIONAL ENGINEERS
CERTIFICATE OF REGISTRATION # F-11852

PRODUCT:	ENDURA	
PART OR ASSEMBLY:	VERTICAL CROSS SECTIONS	
NO.	DATE	BY
1	10/26/21	LFS
REVISIONS		
DATE:	11/09/16	
SCALE:	N.T.S.	
DWG. BY:	JK	
CHK. BY:	LFS	
DRAWING NO.:	TX-4662	
SHEET	5	OF 6



- CONCRETE ANCHOR NOTES:**
1. Concrete anchor locations at the corners may be adjusted to maintain the min. edge distance to mortar joints.
 2. Concrete anchor locations noted as "MAX. ON CENTER" must be adjusted to maintain the min. edge distance to mortar joints, additional concrete anchors may be required to ensure the "MAX. ON CENTER" dimension are not exceeded.
 3. Concrete anchor table:

ANCHOR TYPE	ANCHOR SIZE	MIN. EMBEDMENT	MIN. CLEARANCE TO MASONRY EDGE	MIN. CLEARANCE TO ADJACENT ANCHOR
ITW TAPCON®	3/16"	1-3/4"	3"	1-1/2"
	1/4"	1-3/4"	1-1/2"	4"
DeWALT ULTRACON®	1/4"	1-3/4"	1"	4"



Documents Prepared By: Lyndon F. Schmidt, P.E.
TEXAS P.E. #104123

RW BUILDING CONSULTANTS, INC.
P.O. Box 230 Valrico FL 33595
Phone No.: 813.659.9197

TEXAS BOARD OF PROFESSIONAL ENGINEERS
CERTIFICATE OF REGISTRATION # F-11852

PRODUCT:	ENDURA	
PART OR ASSEMBLY:	FRAME ANCHORING	
NO.	DATE	BY
1	10/26/21	LFS
UPDATE TO 2018 IBC/IRC CODE		
REVISIONS		
DATE:	11/09/16	
SCALE:	N.T.S.	
DWG. BY:	JK	
CHK. BY:	LFS	
DRAWING NO.:	TX-4662	
SHEET	6 OF 6	