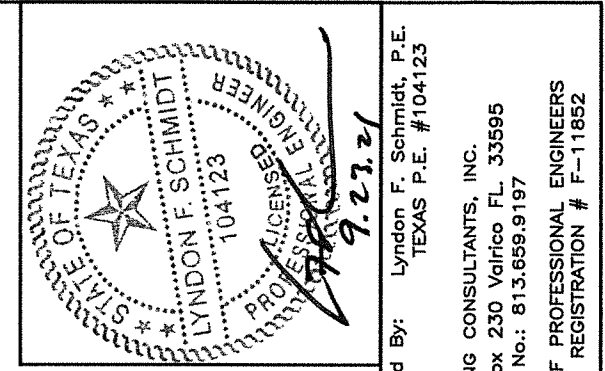
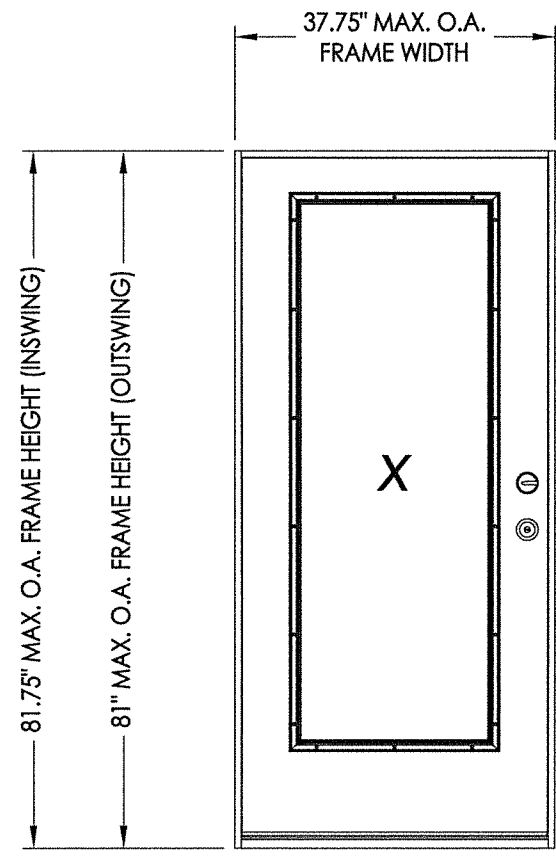




# SURE ROCK GLAZED FIBERGLASS ENTRY DOORS

## INSWING / OUTSWING "NON-IMPACT"



Documents Prepared By: Lyndon F. Schmidt, P.E.  
TEXAS P.E. #104123

**RW** BUILDING CONSULTANTS, INC.  
P.O. Box 230 Valrico FL 33595  
Phone No.: 813.659.9197

TEXAS BOARD OF PROFESSIONAL ENGINEERS  
CERTIFICATE OF REGISTRATION # F-11852

### EVALUATED FOR USE IN THE STATE OF TEXAS

### TDI DR-836

The Fiberglass Door system described herein complies with the 2018 International Residential Code (IRC), Sections R301 & R609 and the 2018 International Building Code (IBC), Sections 1404.13, 1609, 1709.5, 2403 and 2404 subject to the following conditions:

1. Anchors shall be as listed and spaced as shown in the details. Anchor embedment to base material shall be beyond wall dressing or stucco.
2. When used in areas requiring wind-borne debris protection this product is required to be protected with an impact resistant covering that complies with Section R301.2.1.2 of the IRC and Section 1609.1.2 of the IBC.
3. Allowable design pressure requirements must be equal to or less than the design pressure rating shown in the design pressure chart, sheet 1 of this drawing.
4. Conditions not covered by this drawing are subject to further engineering analysis.

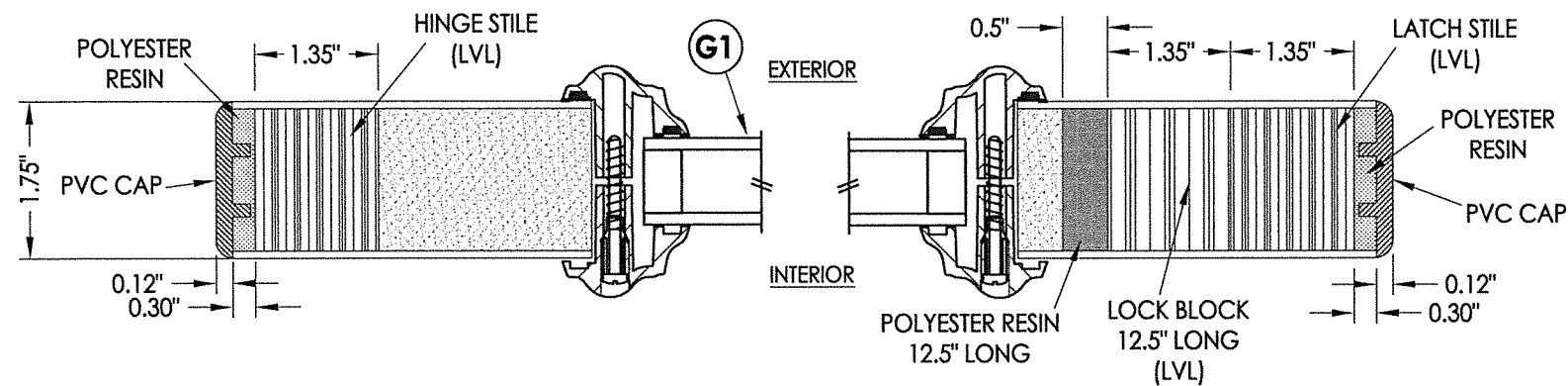
#### TABLE OF CONTENTS

SHEET #	DESCRIPTION
1	Typical Elevations, Design Pressures & General Notes
2	Door Panel Details
3	Horizontal & Vertical Cross Sections
6	Vertical Cross Sections
7	Frame Anchoring
8	Bill of Materials & Components

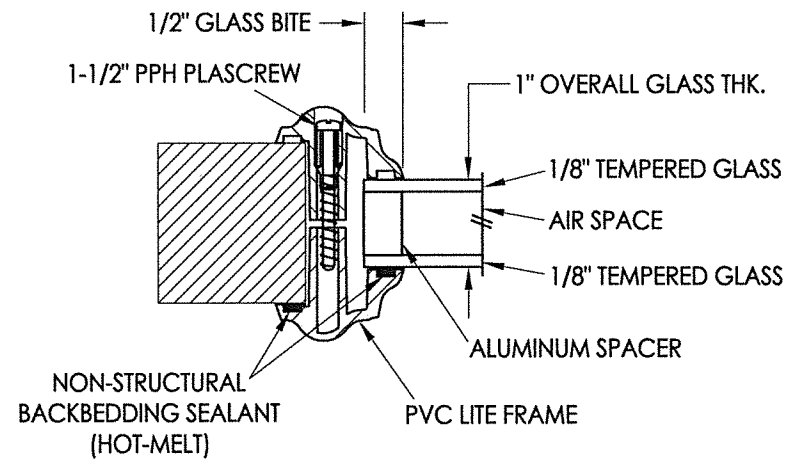
CONFIGURATION	MAX. FRAME DIMENSION	DESIGN PRESSURE (PSF) INSWING		DESIGN PRESSURE (PSF) OUTSWING	
		POSITIVE	NEGATIVE	POSITIVE	NEGATIVE
X	37.75" x 81.75"	+45.0	-45.0	+45.0	-45.0

PRODUCT: SURE ROCK FIBERGLASS DOORS	
PART OR ASSEMBLY: TYPICAL ELEVATION, DESIGN PRESSURES & GENERAL NOTES	
NO.	DATE
1	9/23/21
UPDATE TO 2018 IBC/IRC CODE	
LFS	BY
REVISIONS	
DATE: 7/25/16	
SCALE: N.T.S.	
DWG. BY: JK	
CHK. BY: LFS	
DRAWING NO.: TX-4821	
SHEET 1 OF 6	

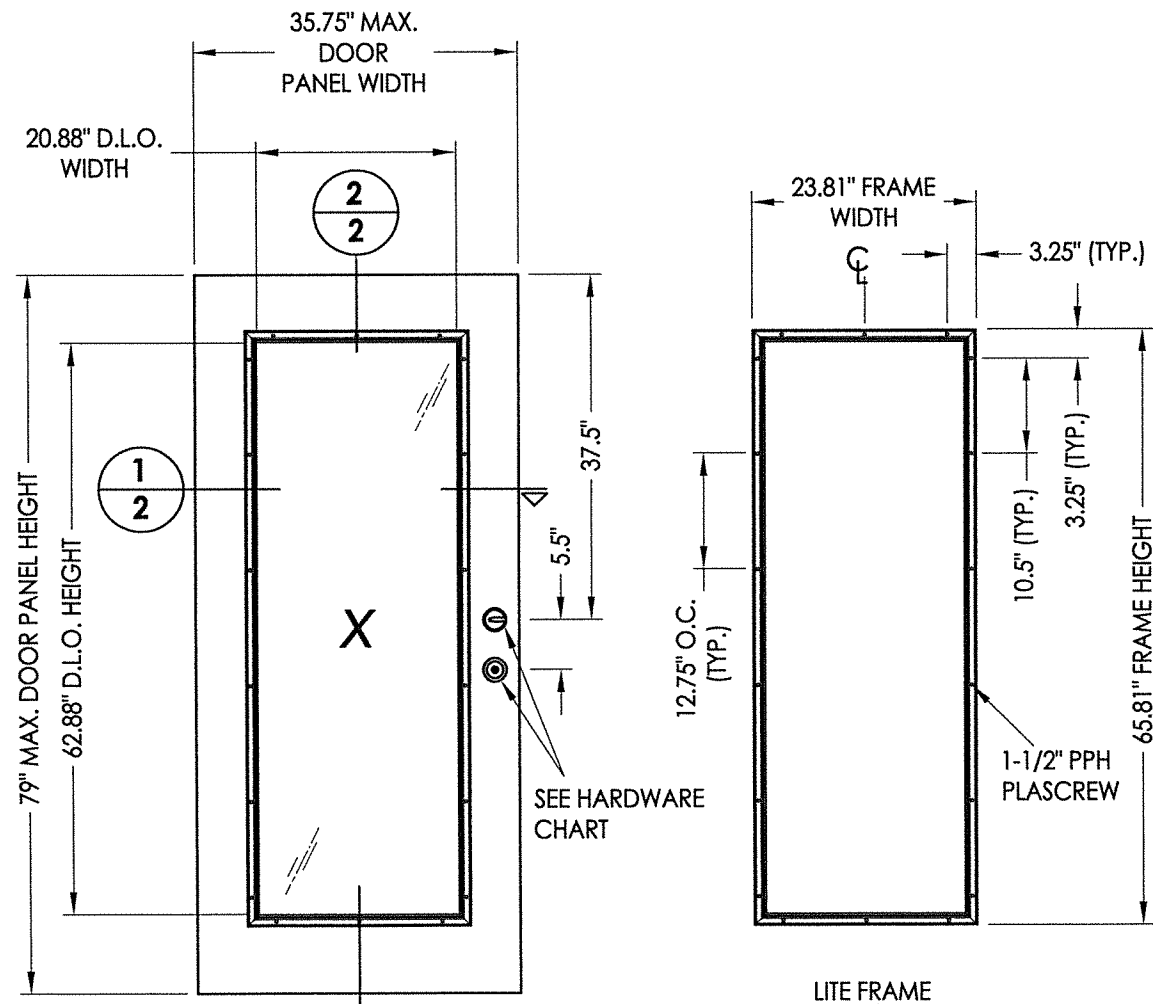
Z:\Clients\HM Sure Rock PERMANENT B - Texas Dept of Ins\DR-836 - 6'8 Fiberglass Non-Impact Door - Glazed\C - Drawings\TX-4821-23.dwg



**1**  
**2** HORIZONTAL CROSS SECTION



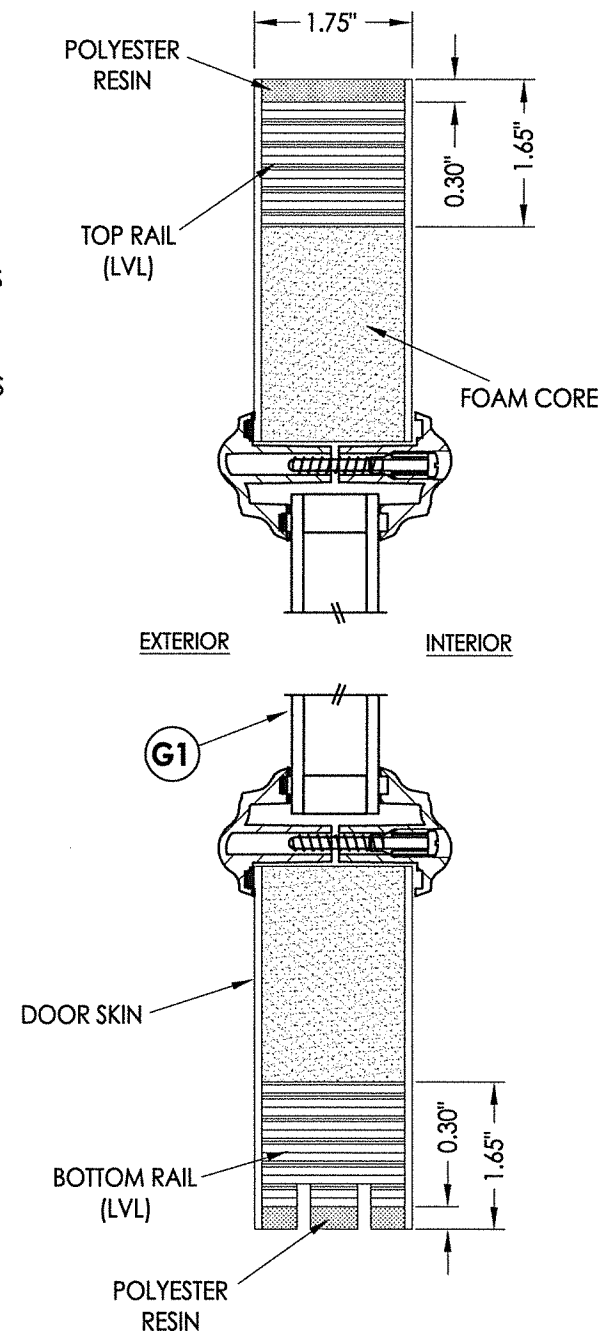
**G1** GLAZING DETAIL



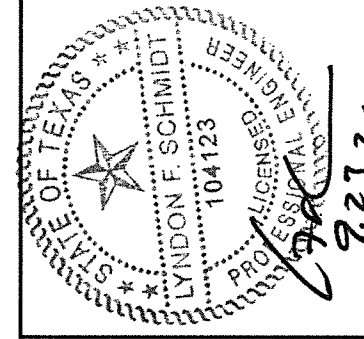
**40** DOOR PANEL

FIBERGLASS DOOR SKIN: MIN. 0.080\"/>

HARDWARE TABLE	
MANUFACTURER	MODEL
KWIKSET	KNOB: Signature Series
	DEADBOLT: Signature Series (980)
SCHLAGE	KNOB: F Series (F51)
	DEADBOLT: B Series (B60N)



**2**  
**2** VERTICAL CROSS SECTION



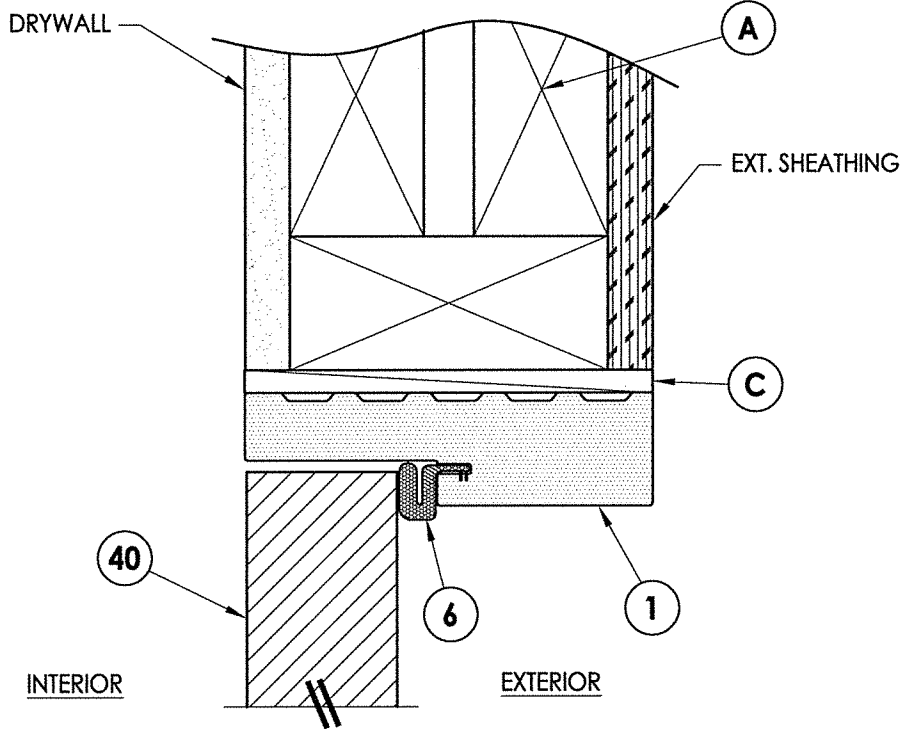
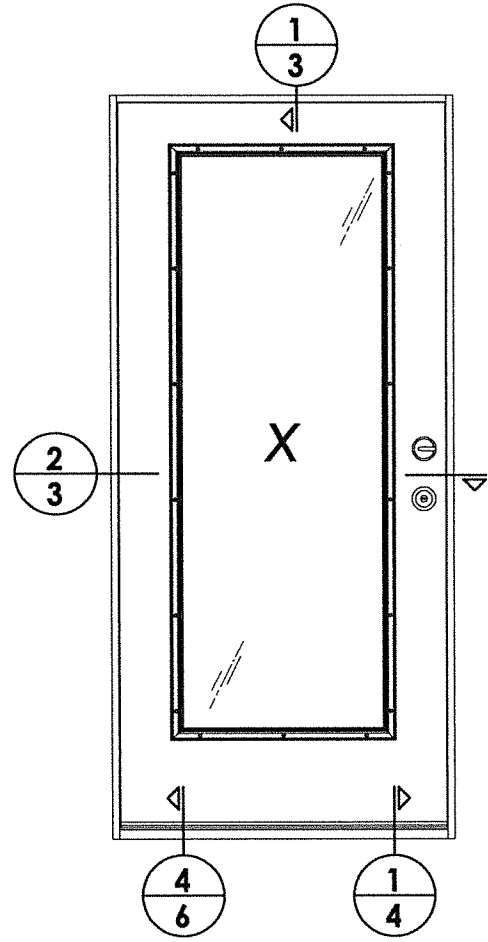
Documents Prepared By: Lyndon F. Schmidt, P.E.  
TEXAS P.E. #104123

**RW** BUILDING CONSULTANTS, INC.  
P.O. Box 230 Valrico FL 33595  
Phone No.: 813.659.9197  
TEXAS BOARD OF PROFESSIONAL ENGINEERS  
CERTIFICATE OF REGISTRATION # F-11852

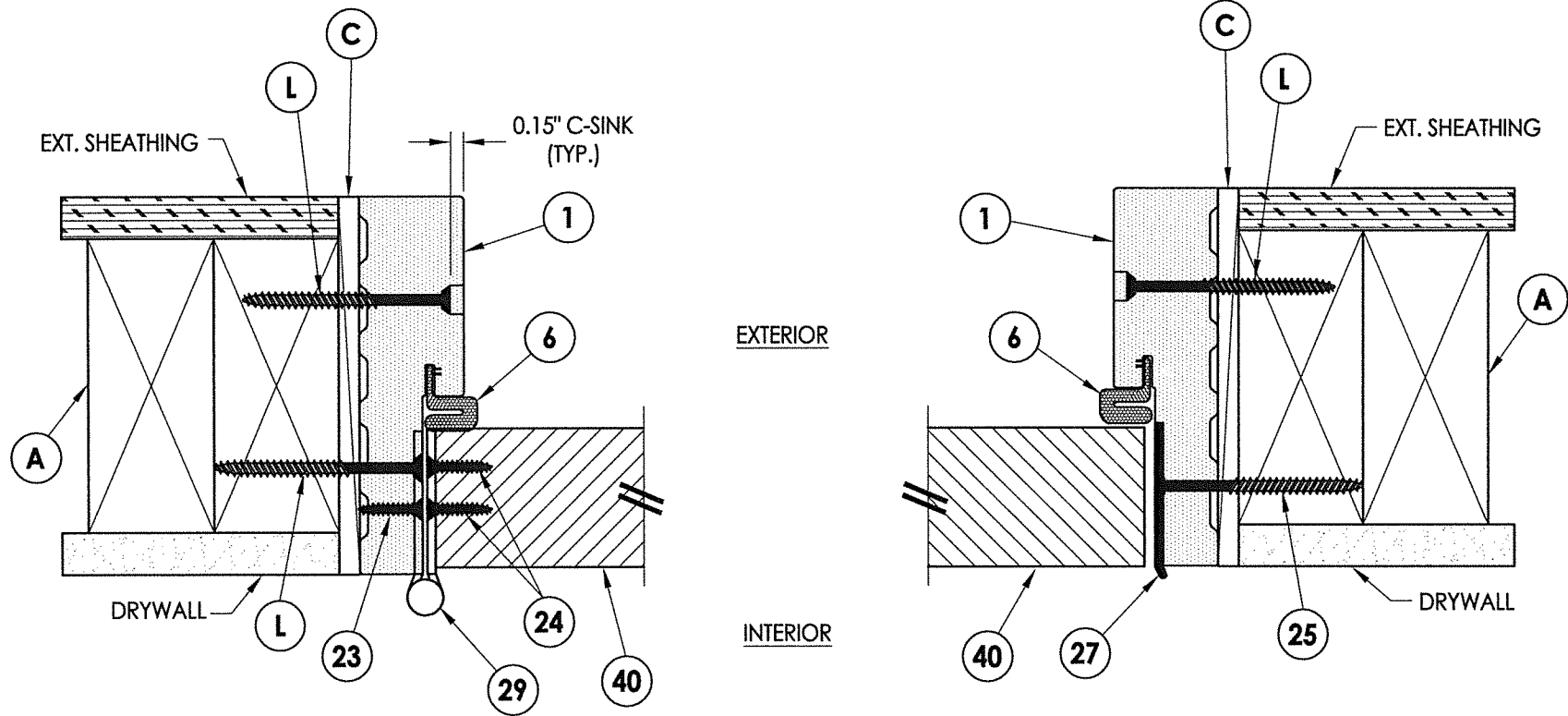
PRODUCT: SURE ROCK FIBERGLASS DOORS  
PART OR ASSEMBLY: DOOR PANEL DETAILS

NO.	DATE	DESCRIPTION	LFS	BY
1	9/23/21	UPDATE TO 2018 IBC/IRC CODE	LFS	

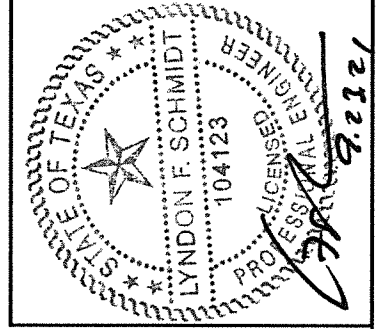
DATE: 7/25/16  
SCALE: N.T.S.  
DWG. BY: JK  
CHK. BY: LFS  
DRAWING NO.: TX-4821  
SHEET 2 OF 6



**1** VERTICAL CROSS SECTION  
**3** Inswing shown (Outswing similar)



**2** HORIZONTAL CROSS SECTION  
**3** Inswing shown (Outswing similar)



Documents Prepared By: Lyndon F. Schmidt, P.E.  
 TEXAS P.E. #104123

**RW** BUILDING CONSULTANTS, INC.  
 P.O. Box 230 Valrico FL, 33595  
 Phone No.: 813.659.9197  
 TEXAS BOARD OF PROFESSIONAL ENGINEERS  
 CERTIFICATE OF REGISTRATION # F-11852

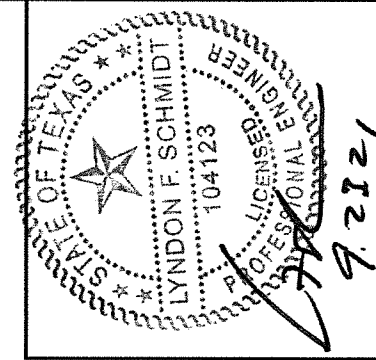
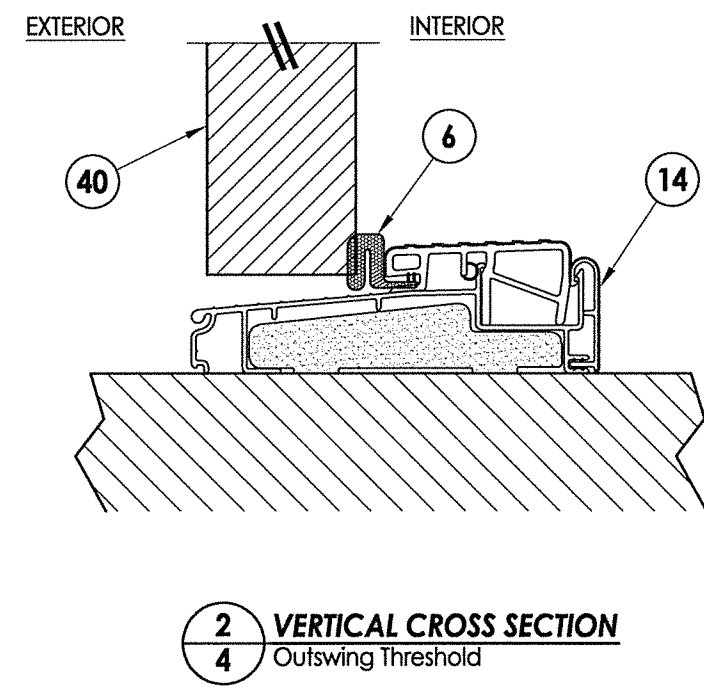
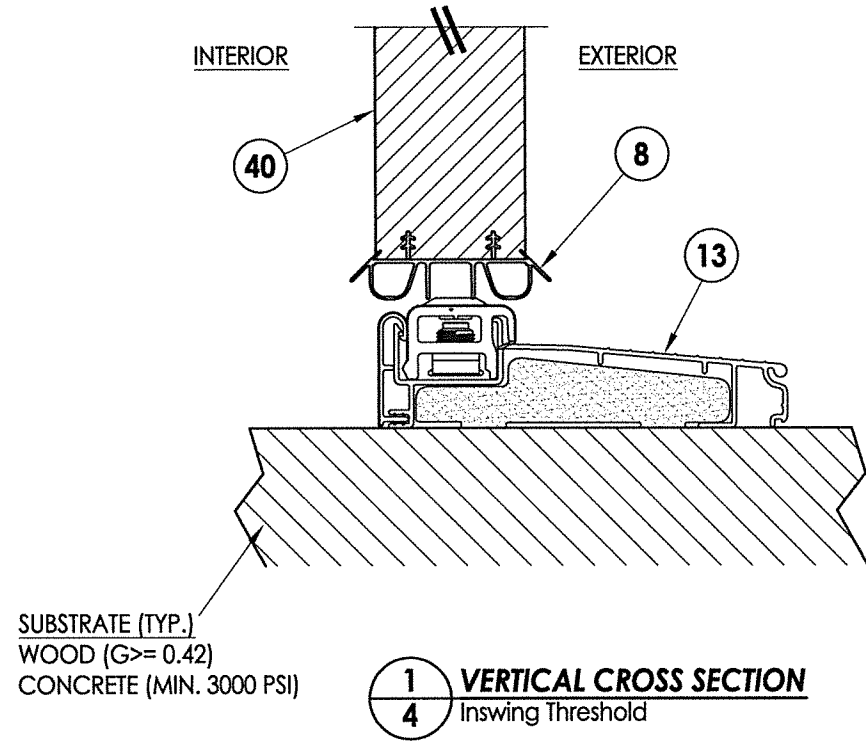
PRODUCT: SURE ROCK  
 FIBERGLASS DOORS

PART OR ASSEMBLY:  
 HORIZONTAL & VERTICAL  
 CROSS SECTIONS

NO.	DATE	DESCRIPTION	BY
1	9/23/21	UPDATE TO 2018 IBC/IRC CODE	LFS

REVISIONS

DATE: 7/25/16  
 SCALE: N.T.S.  
 DWG. BY: JK  
 CHK. BY: LFS  
 DRAWING NO.: TX-4821  
 SHEET 3 OF 6

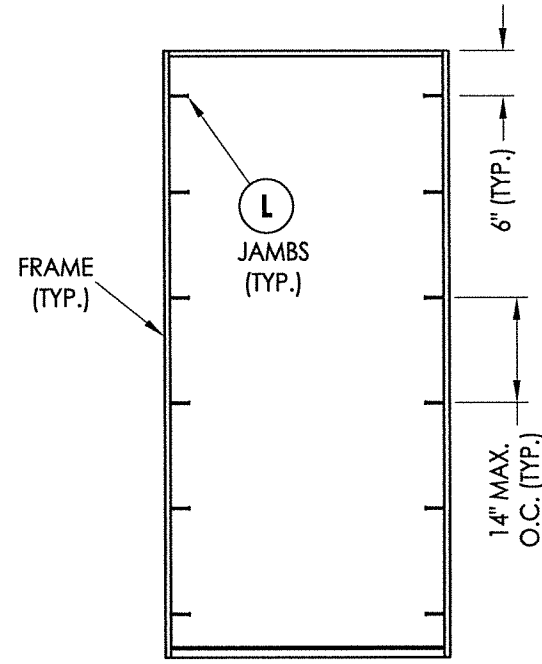


Documents Prepared By: Lyndon F. Schmidt, P.E.  
TEXAS P.E. #104123

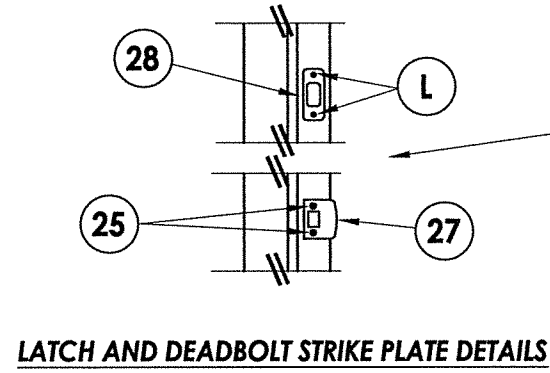
**RW** BUILDING CONSULTANTS, INC.  
P.O. Box 230 Valrico FL 33595  
Phone No.: 813.659.9197

TEXAS BOARD OF PROFESSIONAL ENGINEERS  
CERTIFICATE OF REGISTRATION # F-11852

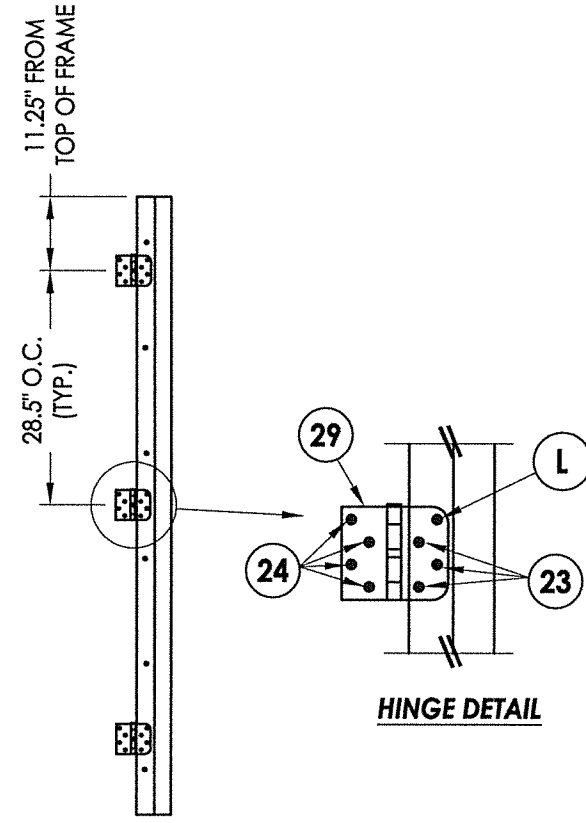
PRODUCT:		SURE ROCK FIBERGLASS DOORS	
PART OR ASSEMBLY:		VERTICAL CROSS SECTIONS	
NO.	DATE	UPDATE TO 2018 IBC/IRC CODE	BY
1	9/23/21	LFS	LFS
REVISIONS			
DATE: 7/25/16			
SCALE: N.T.S.			
DWG. BY: JK			
CHK. BY: LFS			
DRAWING NO.: TX-4821			
SHEET 4 OF 6			



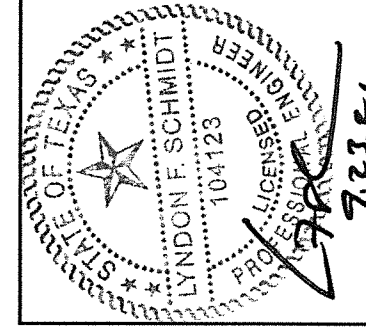
**X**  
**FRAME ANCHORING**



**STRIKE JAMB**



**HINGE JAMB**



Documents Prepared By: Lyndon F. Schmidt, P.E.  
TEXAS P.E. #104123

**RW** BUILDING CONSULTANTS, INC.  
P.O. Box 230 Valrico FL 33595  
Phone No.: 813.659.9197  
TEXAS BOARD OF PROFESSIONAL ENGINEERS  
CERTIFICATE OF REGISTRATION # F-11852

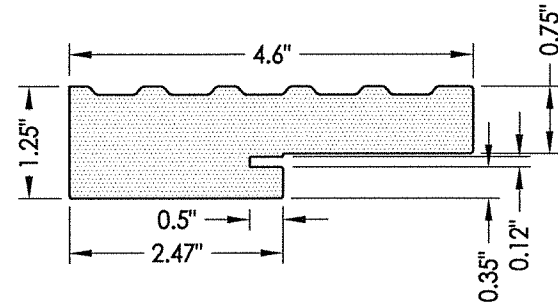
PRODUCT: SURE ROCK FIBERGLASS DOORS  
PART OR ASSEMBLY: BUCK & FRAME ANCHORING

NO.	DATE	DESCRIPTION	BY
1	9/23/21	UPDATE TO 2018 IBC/IRC CODE	LFS

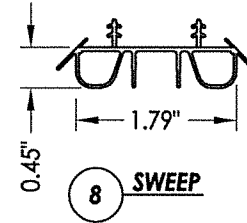
DATE: 7/25/16  
SCALE: N.T.S.  
DWG. BY: JK  
CHK. BY: LFS  
DRAWING NO.: TX-4821  
SHEET 5 OF 6

**BILL OF MATERIALS**

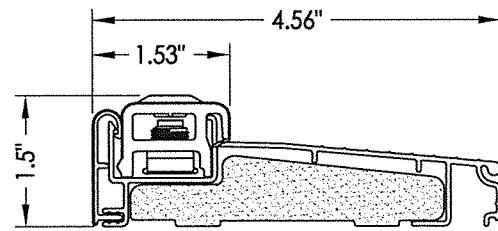
ITEM #	DESCRIPTION	MATERIAL
A	2X FRAMING (G >= 0.42)	WOOD
C	1/4" MAX. SHIM SPACE	-
L	#10 X 2-1/2" PFH WOOD SCREW (1.15" MIN. EMBEDMENT)	STEEL
1	FRAME (SURE JAMB)	COMP
6	WEATHERSTRIP (Q-LON)	FOAM
8	SWEEP	VINYL
13	INSWING THRESHOLD	ALUM/COMP
14	OUTSWING THRESHOLD	ALUM/COMP
23	#10 x 3/4" PFH WOOD SCREW	STEEL
24	#10 x 1" PFH WOOD SCREW	STEEL
25	#8 x 2-1/2" PFH WOOD SCREW	STEEL
27	LATCH STRIKE PLATE	STEEL
28	DEADBOLT STRIKE PLATE	STEEL
29	4" X 4" HINGE	STEEL
40	DOOR PANEL	-



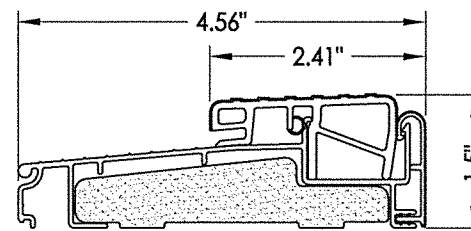
**1 FRAME**  
Sure Jamb



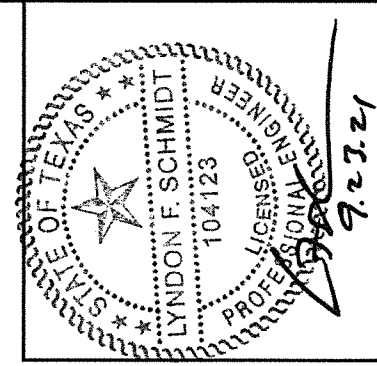
**8 SWEEP**



**13 INSWING THRESHOLD**  
ENDURA (Z-SERIES)



**14 OUTSWING THRESHOLD**  
ENDURA (Z-SERIES)



Documents Prepared By: Lyndon F. Schmidt, P.E.  
TEXAS P.E. #104123

**RW** BUILDING CONSULTANTS, INC.  
P.O. Box 230 Valrico FL 33595  
Phone No.: 813.659.9197  
TEXAS BOARD OF PROFESSIONAL ENGINEERS  
CERTIFICATE OF REGISTRATION # F-11852

PRODUCT: SURE ROCK FIBERGLASS DOORS  
PART OR ASSEMBLY: BILL OF MATERIALS & COMPONENTS

NO.	DATE	DESCRIPTION	LFS	BY
1	9/23/21	UPDATE TO 2018 IBC/IRC CODE	LFS	BY

DATE: 7/25/16  
SCALE: N.T.S.  
DWG. BY: JK  
CHK. BY: LFS  
DRAWING NO.: TX-4821  
SHEET 6 OF 6