

"20 Minute Fire Rated"

FIBERGLASS DOOR IN SWING / OUT SWING

"IMPACT"

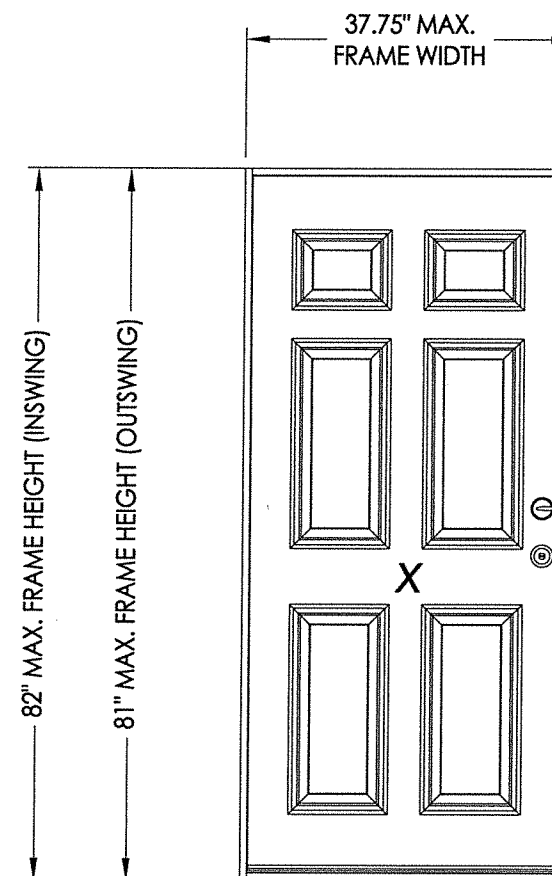
EVALUATED FOR USE IN THE STATE OF TEXAS

The Fiberglass Door system described herein complies with the 2018 International Residential Code (IRC), Sections R301 & R609 and the 2018 International Building Code (IBC), Sections 1404.13, 1609, 1709.5, 2403 and 2404 subject to the following conditions:

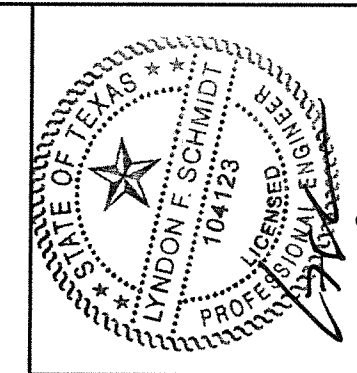
1. Anchors shall be as listed and spaced as shown in the details. Anchor embedment to base material shall be beyond wall dressing or stucco.
2. This system has been tested and evaluated as a large missile impact protective system for installation in areas that require wind borne debris protection. This product meets missile level "D" as defined in ASTM E 1996.
3. Allowable design pressure requirements must be equal to or less than the design pressure rating shown in the design pressure chart, sheet 1 of this drawing.
4. Conditions not covered by this drawing are subject to further engineering analysis.
5. Fiber-Classic and Smooth-Star Door panels require the use of "J" part numbers. These door panels must be stained or painted within six months of installation.

TABLE OF CONTENTS

SHEET #	DESCRIPTION
1	Typical elevations, design pressures & general notes
2	Door panel details
3	Horizontal & Vertical Cross Sections
4	Vertical Cross Sections (Thresholds)
5	Frame anchoring
6	Components
7	Bill of materials



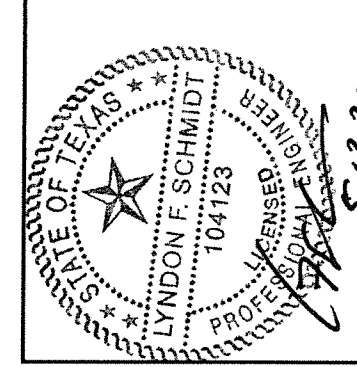
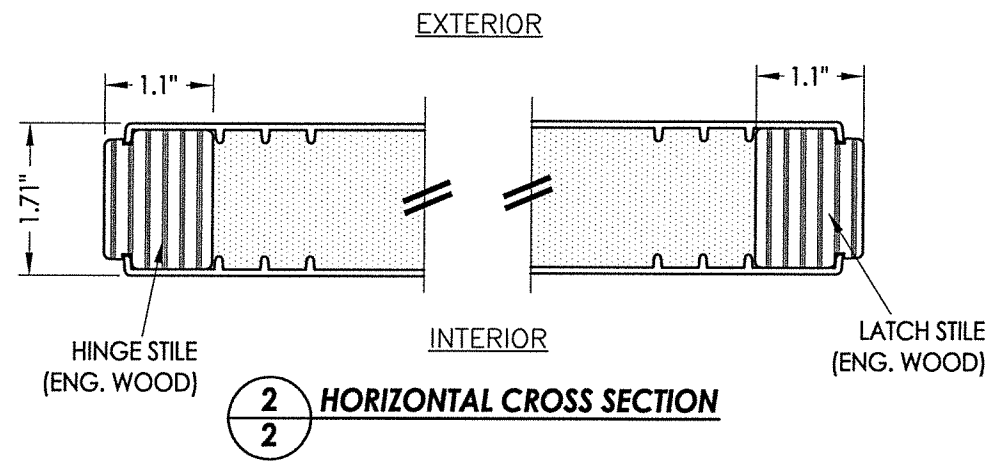
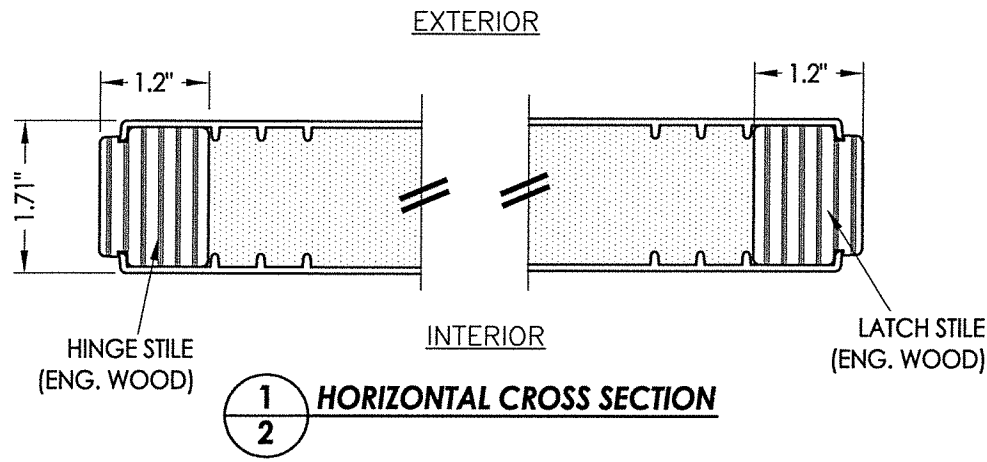
CONFIGURATION	MAX. FRAME DIMENSION	DESIGN PRESSURE (PSF) IN SWING		DESIGN PRESSURE (PSF) OUT SWING	
		POSITIVE	NEGATIVE	POSITIVE	NEGATIVE
X	37.75" x 82.0"	+90.0	-100.0	+90.0	-90.0



Documents Prepared By: Lyndon F. Schmidt, P.E.
TEXAS P.E. #104123

RW BUILDING CONSULTANTS, INC.
P.O. Box 230 Valrico FL 33595
Phone No.: 813.659.9197
TEXAS BOARD OF PROFESSIONAL ENGINEERS
CERTIFICATE OF REGISTRATION # F-11852

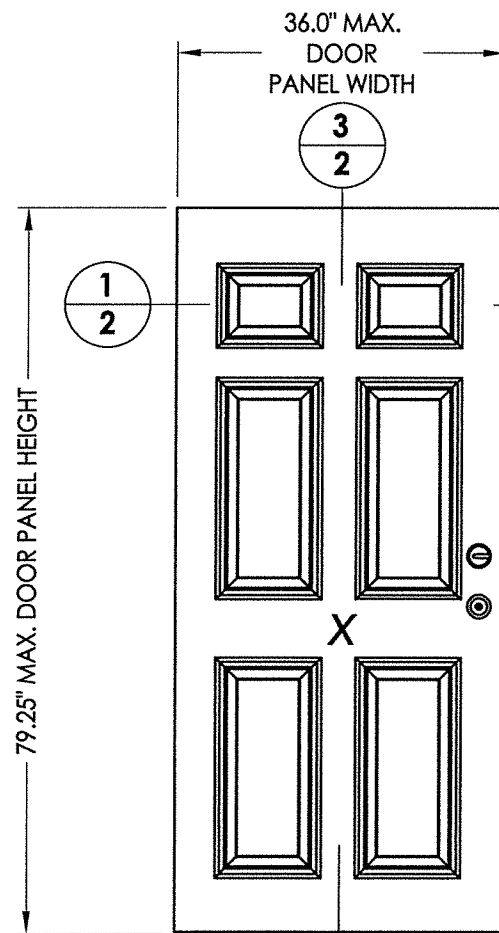
PRODUCT:	FIBERGLASS DOOR
PART OR ASSEMBLY:	TYPICAL ELEVATION, DESIGN PRESSURES & GENERAL NOTES
DATE	4/25/16
SCALE	N.T.S.
DWG. BY	JK
CHK. BY	LFS
DRAWING NO.	TX-4608
SHEET	1 OF 7



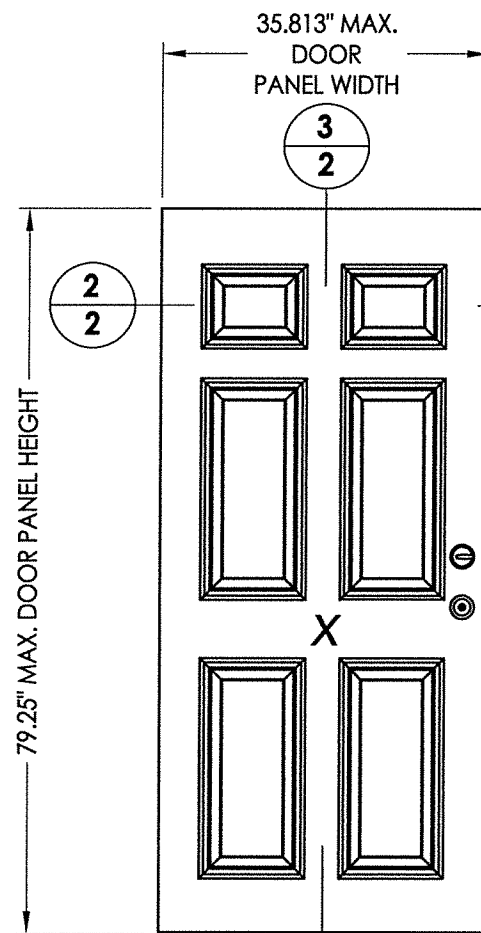
Documents Prepared By: Lyndon F. Schmidt, P.E.
TEXAS P.E. #104123

RW BUILDING CONSULTANTS, INC.
P.O. Box 230 Valrico FL 33595
Phone No.: 813.659.9197

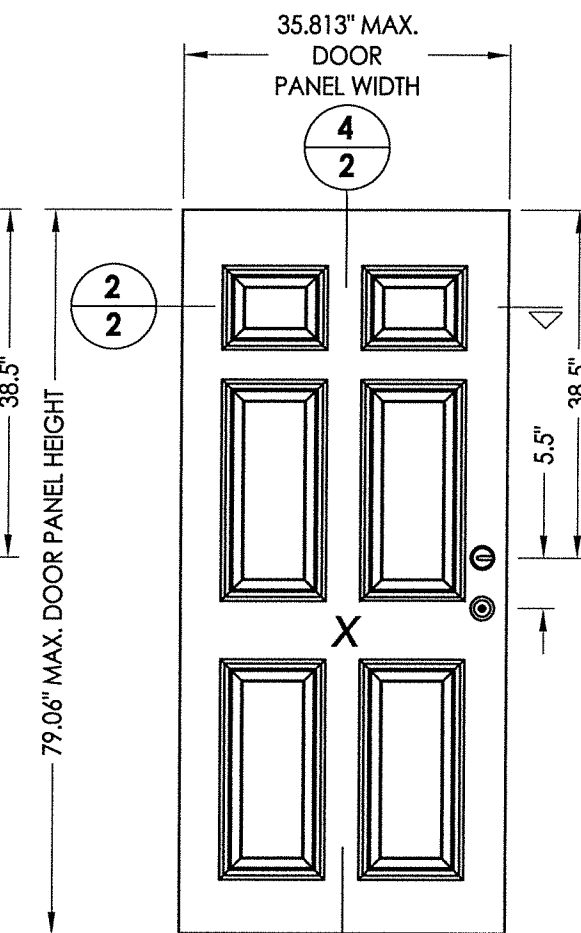
TEXAS BOARD OF PROFESSIONAL ENGINEERS
CERTIFICATE OF REGISTRATION # F-11852



40 DOOR PANEL BOOK

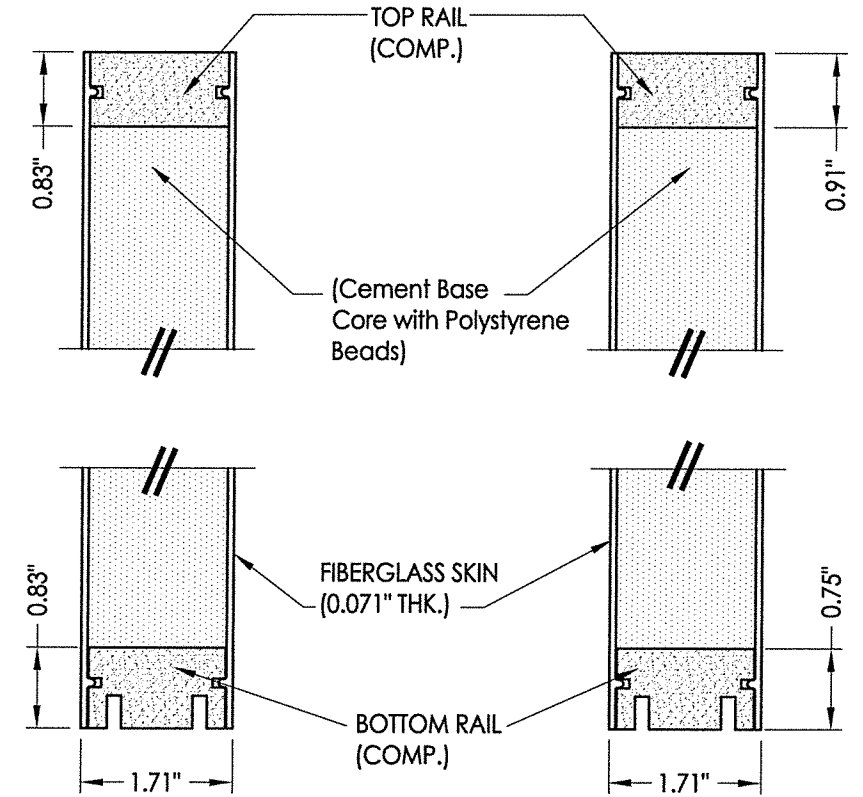


41 DOOR PANEL Hybrid Door



SEE HARDWARE CHART

42 DOOR PANEL UI Door



PRODUCT: FIBERGLASS DOOR

PART OR ASSEMBLY: DOOR PANEL DETAILS

NO.	DATE	REVISIONS
1	5/12/20	UPDATE TO 2018 IBC/IRC CODE
		LFS
		BY

DATE: 4/25/16

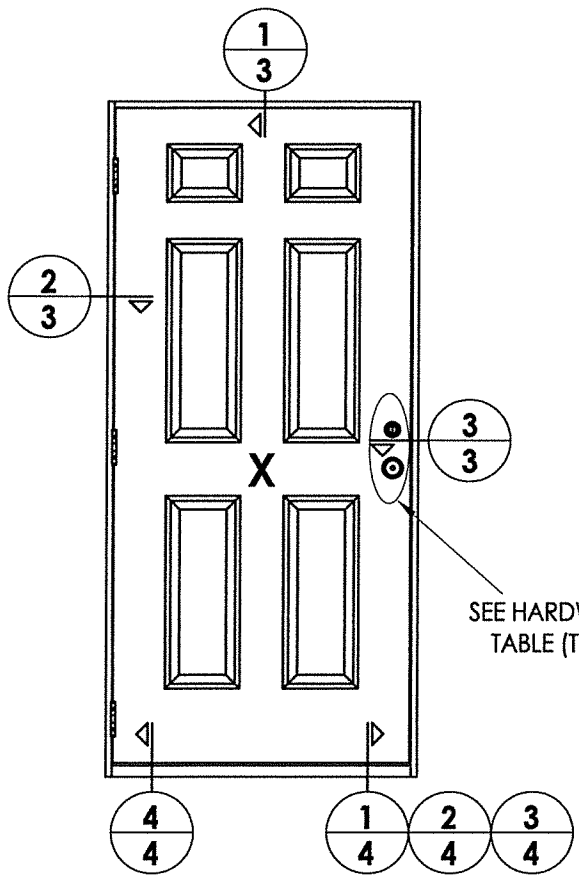
SCALE: N.T.S.

DWG. BY: JK

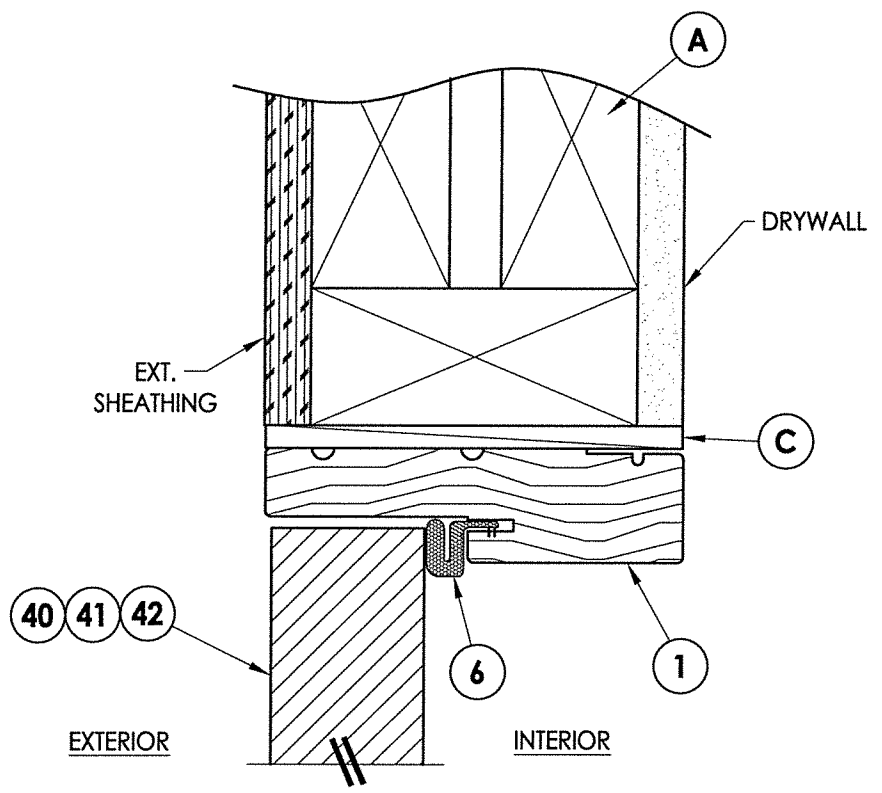
CHK. BY: LFS

DRAWING NO.: TX-4608

SHEET 2 OF 7

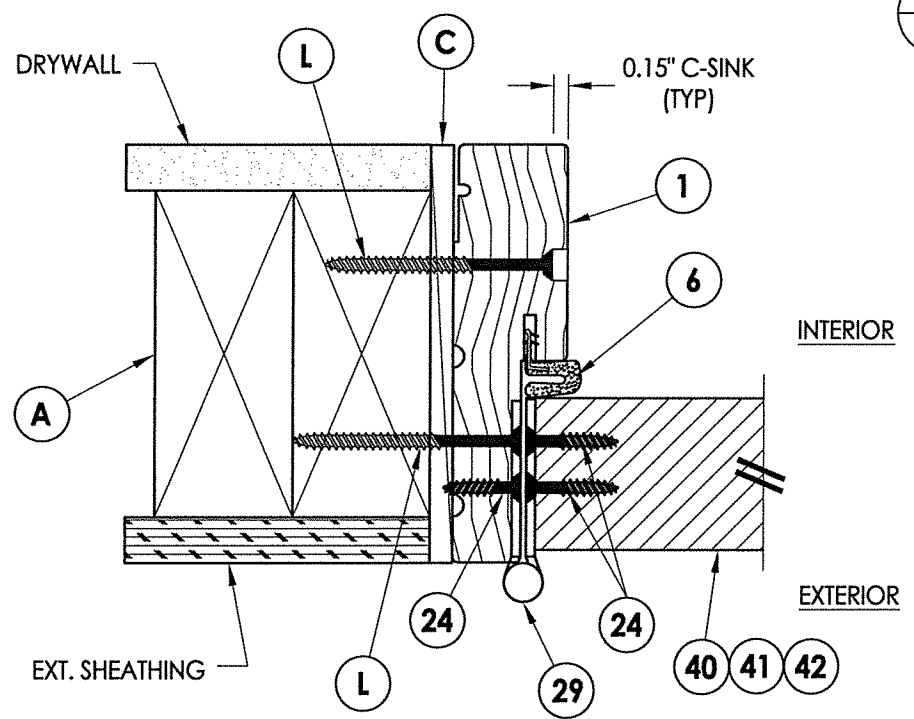


SEE HARDWARE TABLE (TYP.)

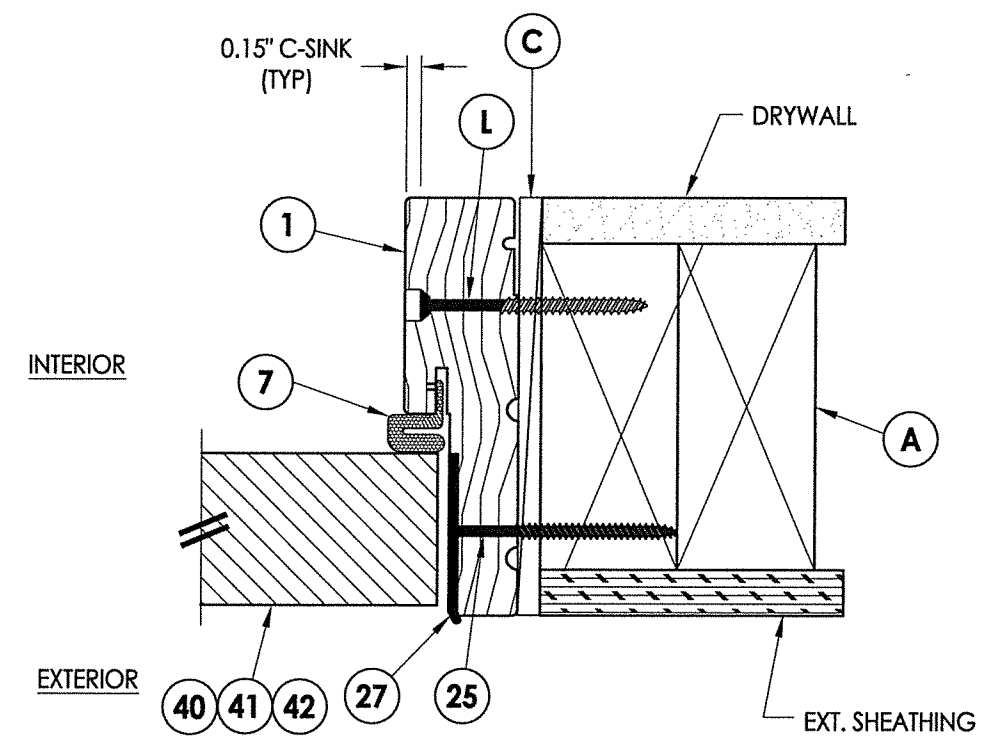


1 VERTICAL CROSS SECTION
3 Outswing shown (Inswing similar)

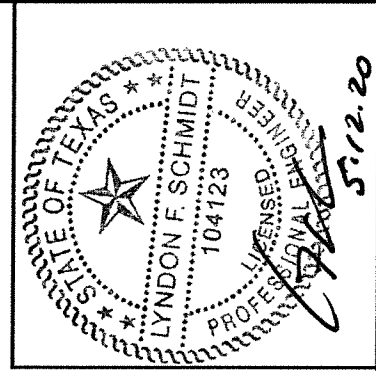
HARDWARE TABLE	
MANUFACTURER	MODEL
KWIKSET	KNOB: SIGNATURE SERIES DEADBOLT: SIGNATURE SERIES (980)
SCHLAGE	KNOB: "F" SERIES DEADBOLT: "B" SERIES (B60)



2 HORIZONTAL CROSS SECTION
3 Outswing shown (Inswing similar)



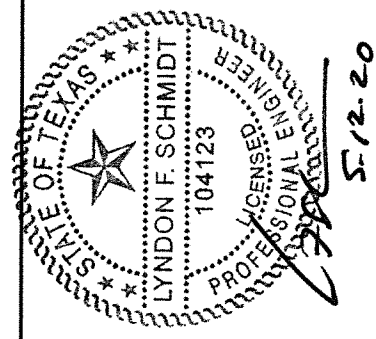
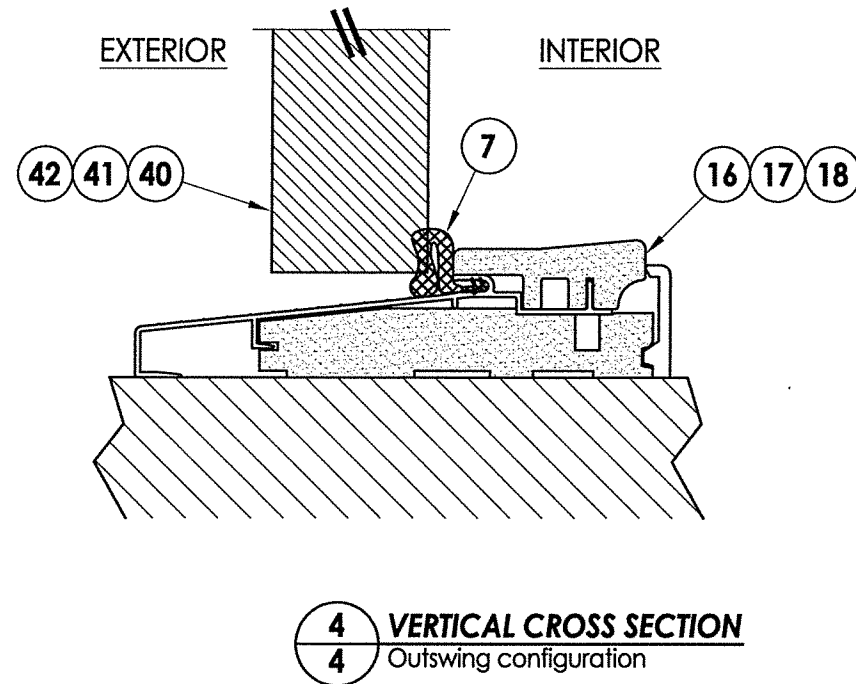
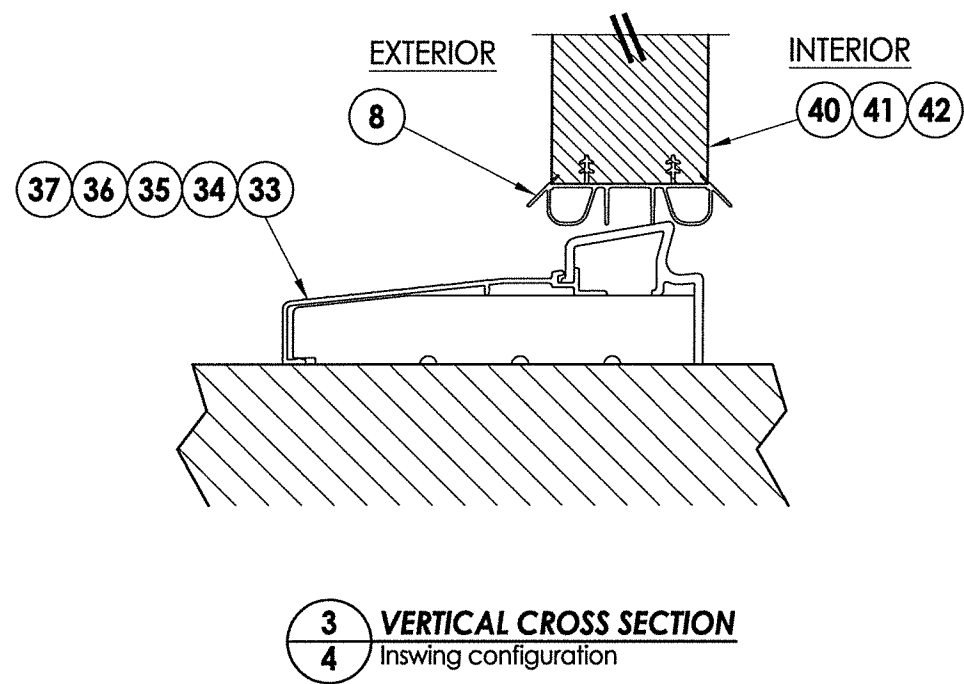
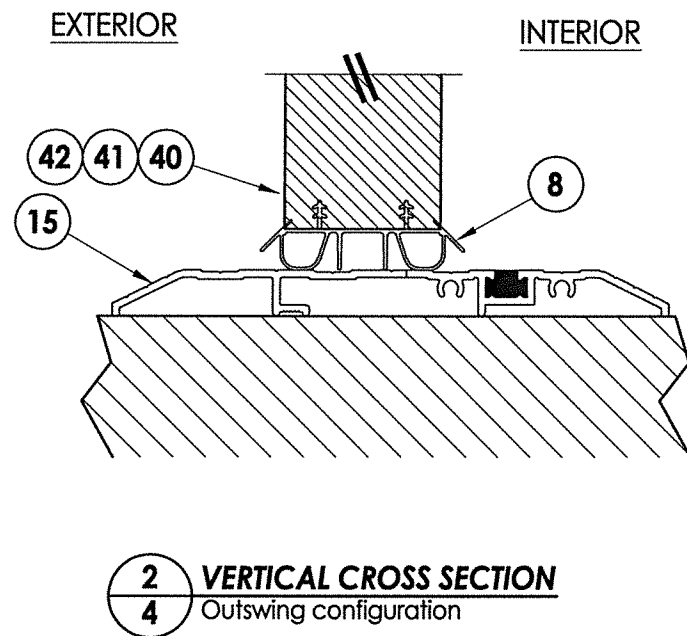
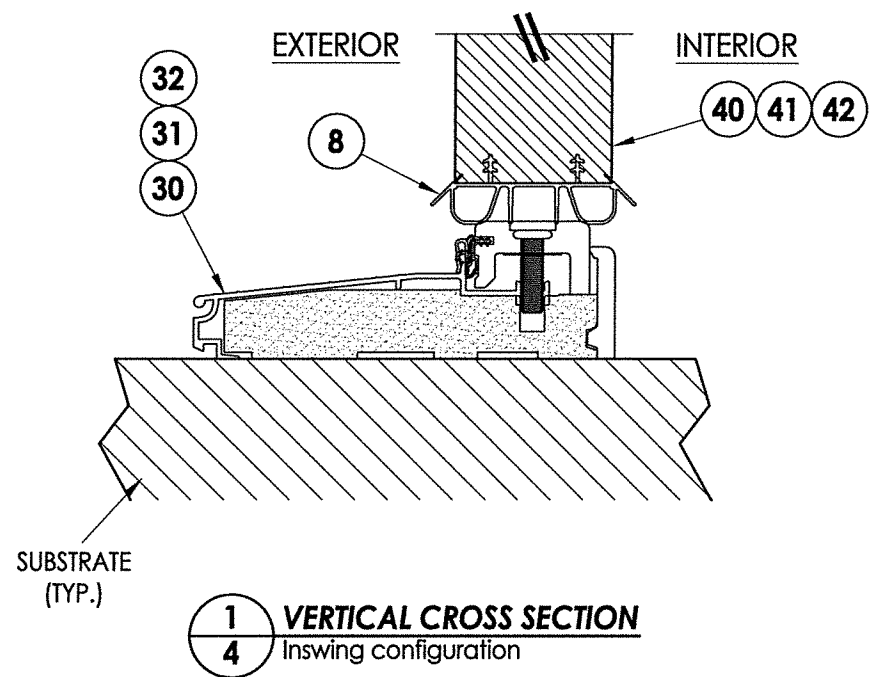
3 HORIZONTAL CROSS SECTION
3 Outswing shown (Inswing similar)



Documents Prepared By: Lyndon F. Schmidt, P.E.
TEXAS P.E. #104123

RW BUILDING CONSULTANTS, INC.
P.O. Box 230 Valrico FL 33595
Phone No.: 813.659.9197
TEXAS BOARD OF PROFESSIONAL ENGINEERS
CERTIFICATE OF REGISTRATION # F-11852

PRODUCT:	FIBERGLASS DOOR	
PART OR ASSEMBLY:	HORIZONTAL & VERTICAL CROSS SECTIONS (2X BUCK)	
DATE:	4/25/16	
SCALE:	N.T.S.	
DWG. BY:	JK	
CHK. BY:	LFS	
DRAWING NO.:	TX-4608	
SHEET	3 OF 7	
NO.	DATE	REVISIONS
1	5/12/20	UPDATE TO 2018 IBC/IRC CODE LFS BY



Documents Prepared By: Lyndon F. Schmidt, P.E.
TEXAS P.E. #104123

RW BUILDING CONSULTANTS, INC.
P.O. Box 230 Valrico FL, 33595
Phone No.: 813.659.9197

TEXAS BOARD OF PROFESSIONAL ENGINEERS
CERTIFICATE OF REGISTRATION # F-11852

PRODUCT: FIBERGLASS DOOR

PART OR ASSEMBLY: VERTICAL CROSS SECTIONS (THRESHOLDS)

NO.	DATE	DESCRIPTION	BY
1	5/12/20	UPDATE TO 2018 IBC/IRC CODE	LFS

DATE: 4/25/16

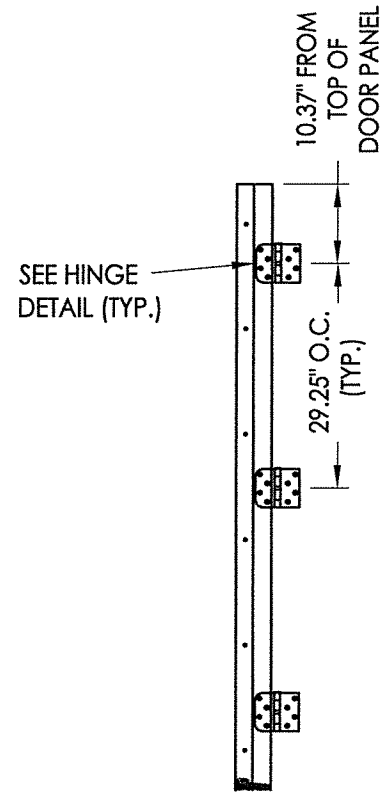
SCALE: N.T.S.

DWG. BY: JK

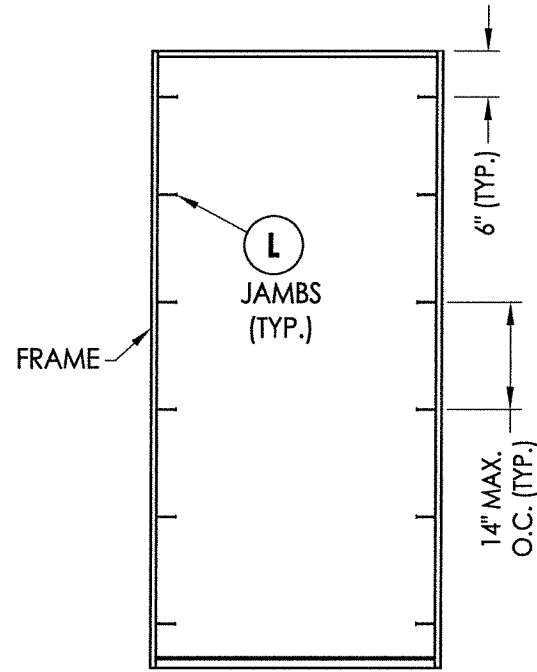
CHK. BY: LFS

DRAWING NO.: TX-4608

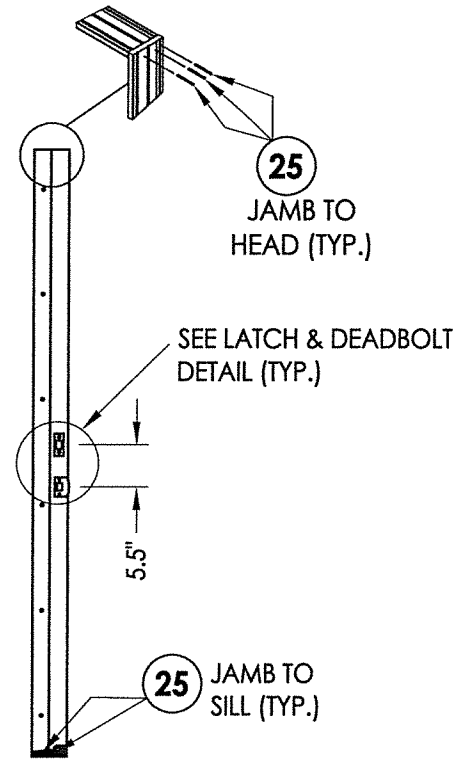
SHEET 4 of 7



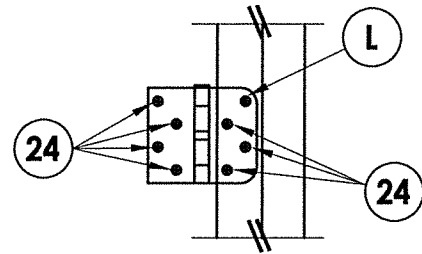
HINGE JAMB



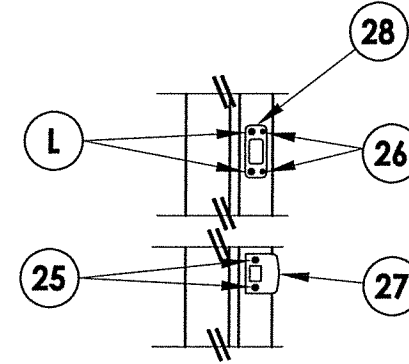
FRAME ANCHORING



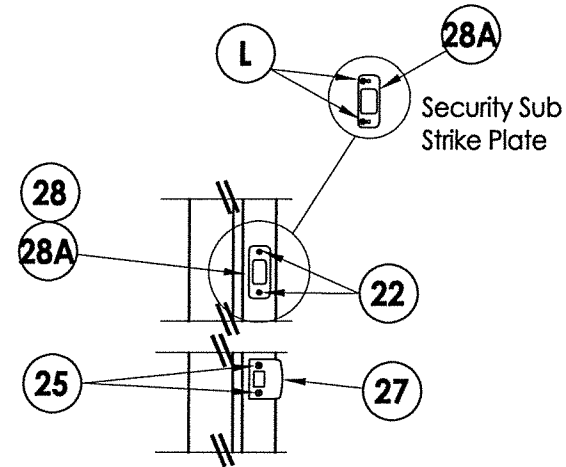
STRIKE JAMB



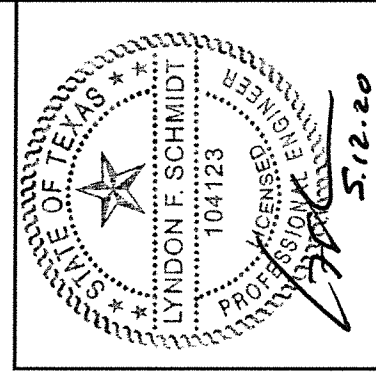
HINGE DETAIL



LATCH & DEADBOLT DETAIL
Kwikset



LATCH & DEADBOLT DETAIL
Schlage

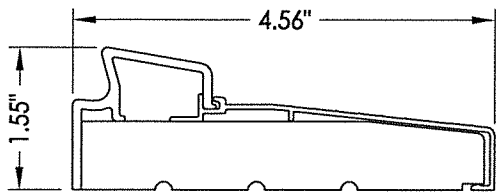


Documents Prepared By: Lyndon F. Schmidt, P.E.
TEXAS P.E. #104123

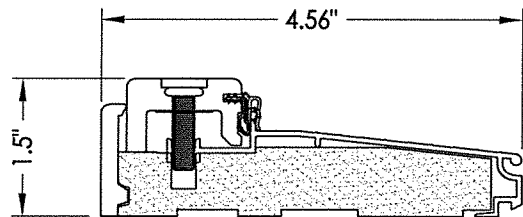
RW BUILDING CONSULTANTS, INC.
P.O. Box 230 Valrico FL, 33595
Phone No.: 813.659.9197
TEXAS BOARD OF PROFESSIONAL ENGINEERS
CERTIFICATE OF REGISTRATION # F-11852

PRODUCT:		FIBERGLASS DOOR	
PART OR ASSEMBLY:		BUCK & FRAME ANCHORING	
NO.	DATE	UPDATE TO 2018 IBC/IRC CODE	LFS BY
1	5/12/20		
REVISIONS			
DATE:		4/25/16	
SCALE:		N.T.S.	
DWG. BY:		JK	
CHK. BY:		LFS	
DRAWING NO.:		TX-4608	
SHEET		5 of 7	

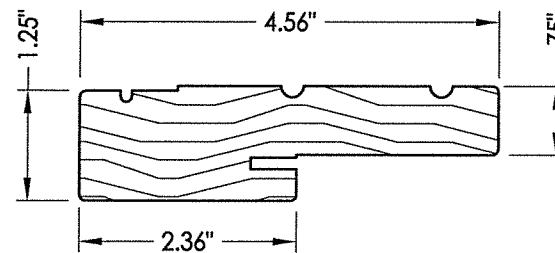
R:\Clients\Therma Tru PERMANENT.B - Texas Dept of Ins\TDI - DR 807 - 618 and 8.0 20 Minute Fire Doors (Book Hybrid and UJ) (X Inswing-Outswing) 4-28-16\C - Drawings\TX-4608.9.10.dwg, 1-6



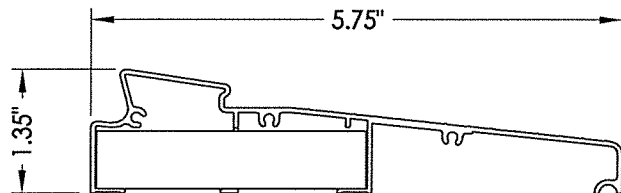
33 INSWING THRESHOLD
Inswing Basic Fixed Sill



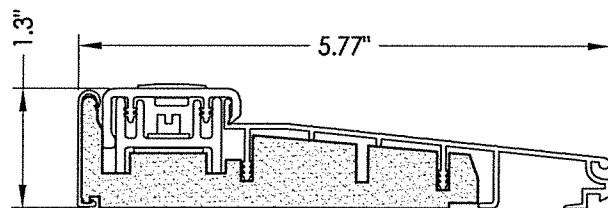
30 INSWING THRESHOLD
Inswing Composite Adjustable Sill



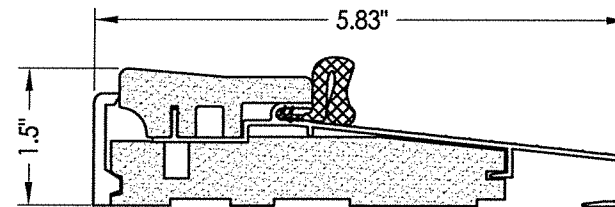
1 WOOD JAMB



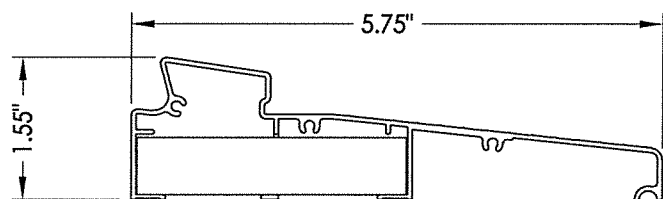
34 INSWING THRESHOLD
Inswing Moderate Climate Sill 1-3/8"



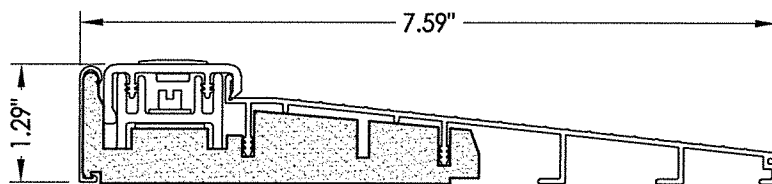
31 INSWING THRESHOLD
Inswing Basic Composite Adjustable Sill



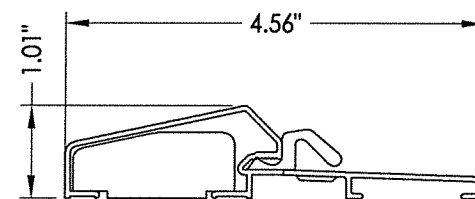
16 OUTSWING THRESHOLD
Composite Sill



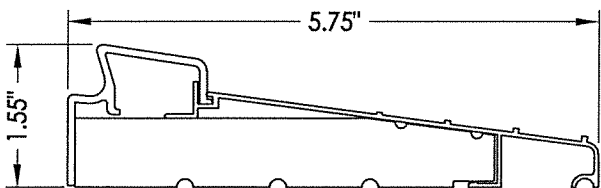
35 INSWING THRESHOLD
Inswing Moderate Climate Sill



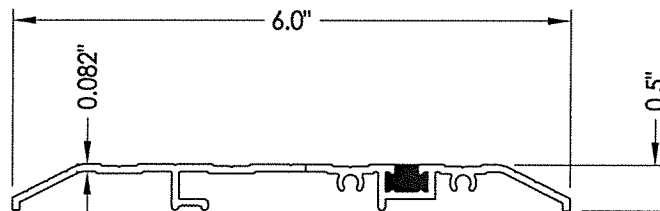
32 INSWING THRESHOLD
Inswing Basic Composite Adjustable Sill 7-1/2"



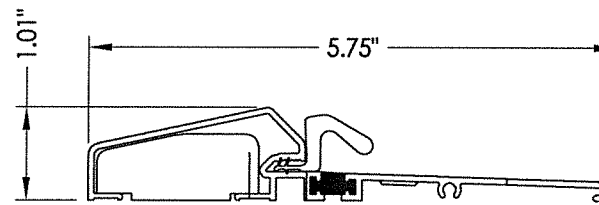
17 OUTSWING THRESHOLD
Composite / Aluminum Sill



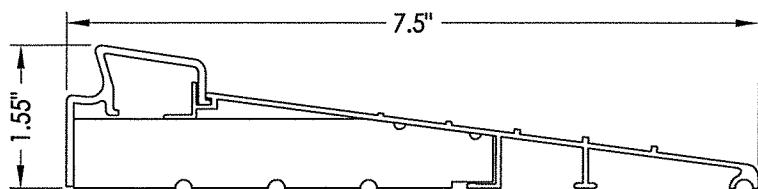
36 INSWING THRESHOLD
Inswing Basic Fixed 5-3/4" Sill



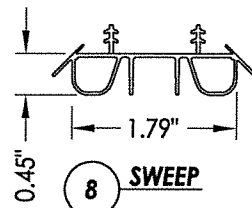
15 ADA THRESHOLD



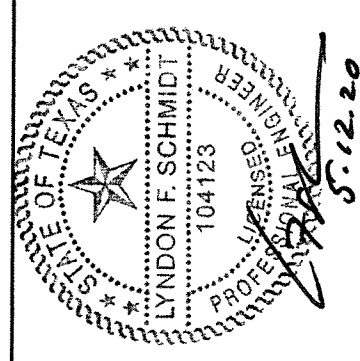
18 OUTSWING THRESHOLD
Composite / Aluminum Sill
(Thermal Break)



37 INSWING THRESHOLD
Inswing Basic Fixed 7-1/2" Sill



8 SWEEP



Documents Prepared By: Lyndon F. Schmidt, P.E.
TEXAS P.E. #104123

RW BUILDING CONSULTANTS, INC.
P.O. Box 230 Vairico FL 33595
Phone No.: 813.659.9197

TEXAS BOARD OF PROFESSIONAL ENGINEERS
CERTIFICATE OF REGISTRATION # F-11852

PRODUCT: FIBERGLASS DOOR

PART OR ASSEMBLY: COMPONENTS

NO.	DATE	DESCRIPTION	BY
1	5/12/20	UPDATE TO 2018 IBC/IRC CODE	LFS

DATE: 4/25/16

SCALE: N.T.S.

DWG. BY: JK

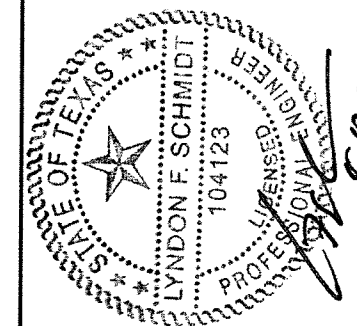
CHK. BY: LFS

DRAWING NO.: TX-4608

SHEET 6 OF 7

BILL OF MATERIALS

ITEM #	DESCRIPTION	MATERIAL
A	2X FRAMING (SG >= 0.42)	WOOD
C	1/4" MAX. SHIM SPACE	-
L	#10 X 2-1/2" PFH WOOD SCREW (1.15" MIN. EMBEDMENT)	STEEL
1	JAMB (FINGER JOINT PINE)	WOOD
6	WEATHERSTRIP (Medium Reach)	FOAM
7	WEATHERSTRIP (Long Reach)	FOAM
8	SWEEP	VINYL
15	ADA THRESHOLD	ALUM
16	OUTSWING THRESHOLD	ALUM/COMP
17	OUTSWING THRESHOLD	ALUM/COMP
18	OUTSWING THRESHOLD	ALUM/COMP
22	#8 x 3/4" PFH WOOD SCREW	STEEL
24	#10 x 1" PFH WOOD SCREW	STEEL
25	#8 x 2-1/2" PFH WOOD SCREW	STEEL
26	#8 x 5/8" PFH WOOD SCREW	STEEL
27	LATCH STRIKE PLATE	STEEL
28	DEADBOLT STRIKE PLATE	STEEL
28A	DEADBOLT SECURITY SUB STRIKE PLATE	STEEL
29	4" X 4" HINGE	STEEL
30	INSWING THRESHOLD	ALUM/COMP
31	INSWING THRESHOLD	ALUM/COMP
32	INSWING THRESHOLD	ALUM/COMP
33	INSWING THRESHOLD	ALUM/COMP
34	INSWING THRESHOLD	ALUM/COMP
35	INSWING THRESHOLD	ALUM/COMP
36	INSWING THRESHOLD	ALUM/COMP
37	INSWING THRESHOLD	ALUM/COMP
40	DOOR PANEL (BOOK)	-
41	DOOR PANEL (HYBRID)	-
42	DOOR PANEL (U1)	-



Documents Prepared By: Lyndon F. Schmidt, P.E.
TEXAS P.E. #104123

RW BUILDING CONSULTANTS, INC.
P.O. Box 230 Valrico FL, 33595
Phone No.: 813.659.9197

TEXAS BOARD OF PROFESSIONAL ENGINEERS
CERTIFICATE OF REGISTRATION # F-11852

PRODUCT:		FIBERGLASS DOOR	
PART OR ASSEMBLY:		BILL OF MATERIALS	
NO.	DATE	DESCRIPTION	BY
1	5/12/20	UPDATE TO 2018 IBC/IRC CODE	LFS
REVISIONS			
DATE: 4/25/16			
SCALE: N.T.S.			
DWG. BY: JK			
CHK. BY: LFS			
DRAWING NO.: TX-4608			
SHEET 7 OF 7			