

REVISIONS			
REV	DESCRIPTION	DATE	APPROVED

NOTES:


1. THE PRODUCT SHOWN HEREIN IS DESIGNED AND MANUFACTURED TO COMPLY WITH REQUIREMENTS OF THE 2006 IBC THE 2006 IRC WITH STATE OF TEXAS MODIFICATIONS AND THE 2009 IBC, 2009 IRC, 2012 IBC, AND 2012 IRC.
2. WOOD FRAMING AND MASONRY OPENING TO BE DESIGNED AND ANCHORED TO PROPERLY TRANSFER ALL LOADS TO STRUCTURE. FRAMING AND MASONRY OPENING IS THE RESPONSIBILITY OF THE ARCHITECT OR ENGINEER OF RECORD.
3. 1X BUCK OVER MASONRY/CONCRETE IS OPTIONAL.
4. WHERE SHIM OR BUCK THICKNESS IS LESS THAN 1-1/2" WINDOW UNITS MUST BE ANCHORED THROUGH THE FRAME IN ACCORDANCE WITH MANUFACTURER'S PUBLISHED INSTALLATION INSTRUCTIONS. ANCHORS SHALL BE SECURELY FASTENED DIRECTLY INTO MASONRY, CONCRETE OR OTHER STRUCTURAL SUBSTRATE MATERIAL.
5. WHERE WOOD BUCK THICKNESS IS 1-1/2" OR GREATER, BUCK SHALL BE SECURELY FASTENED TO MASONRY, CONCRETE OR OTHER STRUCTURAL SUBSTRATE. WINDOW UNITS MAY BE ANCHORED THROUGH FRAME TO SECURED WOOD BUCK IN ACCORDANCE WITH MANUFACTURER'S PUBLISHED INSTALLATION INSTRUCTIONS.
6. WHERE 1X BUCK IS NOT USED DISSIMILAR MATERIALS MUST BE SEPARATED WITH APPROVED COATING OR MEMBRANE. SELECTION OF COATING OR MEMBRANE IS THE RESPONSIBILITY OF THE ARCHITECT OR ENGINEER OF RECORD.
7. BUCKS SHALL EXTEND BEYOND WINDOW INTERIOR FACE SO THAT FULL FRAME SUPPORT IS PROVIDED.
8. FOR FIN INSTALLATION SHIM AS NEEDED. FOR FRAME INSTALLATION SHIM AS REQUIRED AT EACH ANCHOR LOCATION WITH LOAD BEARING SHIM. SHIM WHERE SPACE OF 1/16" OR GREATER OCCURS. MAXIMUM ALLOWABLE SHIM STACK TO BE 1/4".
9. SHIMS SHALL BE LOCATED, APPLIED AND MADE FROM MATERIALS AND THICKNESS CAPABLE OF SUSTAINING APPLICABLE LOADS.
10. WIND LOAD DURATION FACTOR Cd=1.6 WAS USED FOR WOOD ANCHOR CALCULATIONS.
11. FRAME MATERIAL: EXTRUDED RIGID PVC.
12. UNITS MUST BE GLAZED PER ASTM E1300-04 WITH SAFETY GLAZING.
13. APPROVED IMPACT PROTECTIVE SYSTEM IS REQUIRED FOR THIS PRODUCT IN WIND BORNE DEBRIS REGIONS.
14. FOR ANCHORING THROUGH FRAME INTO WOOD FRAMING OR 2X BUCK USE #10 WOOD SCREWS WITH SUFFICIENT LENGTH TO ACHIEVE A 1 1/4" MINIMUM EMBEDMENT INTO SUBSTRATE. LOCATE ANCHORS AS SHOWN IN ELEVATIONS AND INSTALLATION DETAILS.

15. FOR ANCHORING THROUGH FRAME INTO MASONRY/CONCRETE USE 1/4" TAPCONS WITH SUFFICIENT LENGTH TO ACHIEVE A 1 1/4" MINIMUM EMBEDMENT INTO SUBSTRATE WITH 2 1/2" MINIMUM EDGE DISTANCE. LOCATE ANCHORS AS SHOWN IN ELEVATIONS AND INSTALLATION DETAILS.
16. FOR ANCHORING THROUGH FRAME INTO METAL STRUCTURE USE #10 SMS OR SELF DRILLING SCREWS WITH SUFFICIENT LENGTH TO ACHIEVE 3 THREADS MINIMUM BEYOND STRUCTURE INTERIOR WALL. LOCATE ANCHORS AS SHOWN IN ELEVATIONS AND INSTALLATION DETAILS.
17. ALL FASTENERS TO BE CORROSION RESISTANT.
18. INSTALLATION ANCHORS SHALL BE INSTALLED IN ACCORDANCE WITH ANCHOR MANUFACTURER'S INSTALLATION INSTRUCTIONS AND ANCHORS SHALL NOT BE USED IN SUBSTRATES WITH STRENGTHS LESS THAN THE MINIMUM STRENGTH SPECIFIED BELOW:
 - A. WOOD: MINIMUM SPECIFIC GRAVITY OF G=0.42
 - B. CONCRETE: MINIMUM COMPRESSIVE STRENGTH OF 2,000 PSI.
 - C. MASONRY: HOLLOW/FILLED BLOCK PER ASTM C90 WITH f'm=2,000PSI MINIMUM.
 - D. METAL STRUCTURE: STEEL 18GA (.058") FY=33KSI/FU=52KSI OR ALUMINUM 6063-T5 FU=30KSI .058" THICK MINIMUM
19. APPROVED CONFIGURATIONS: X, XX, XXX.

SIGNED: 02/25/2016

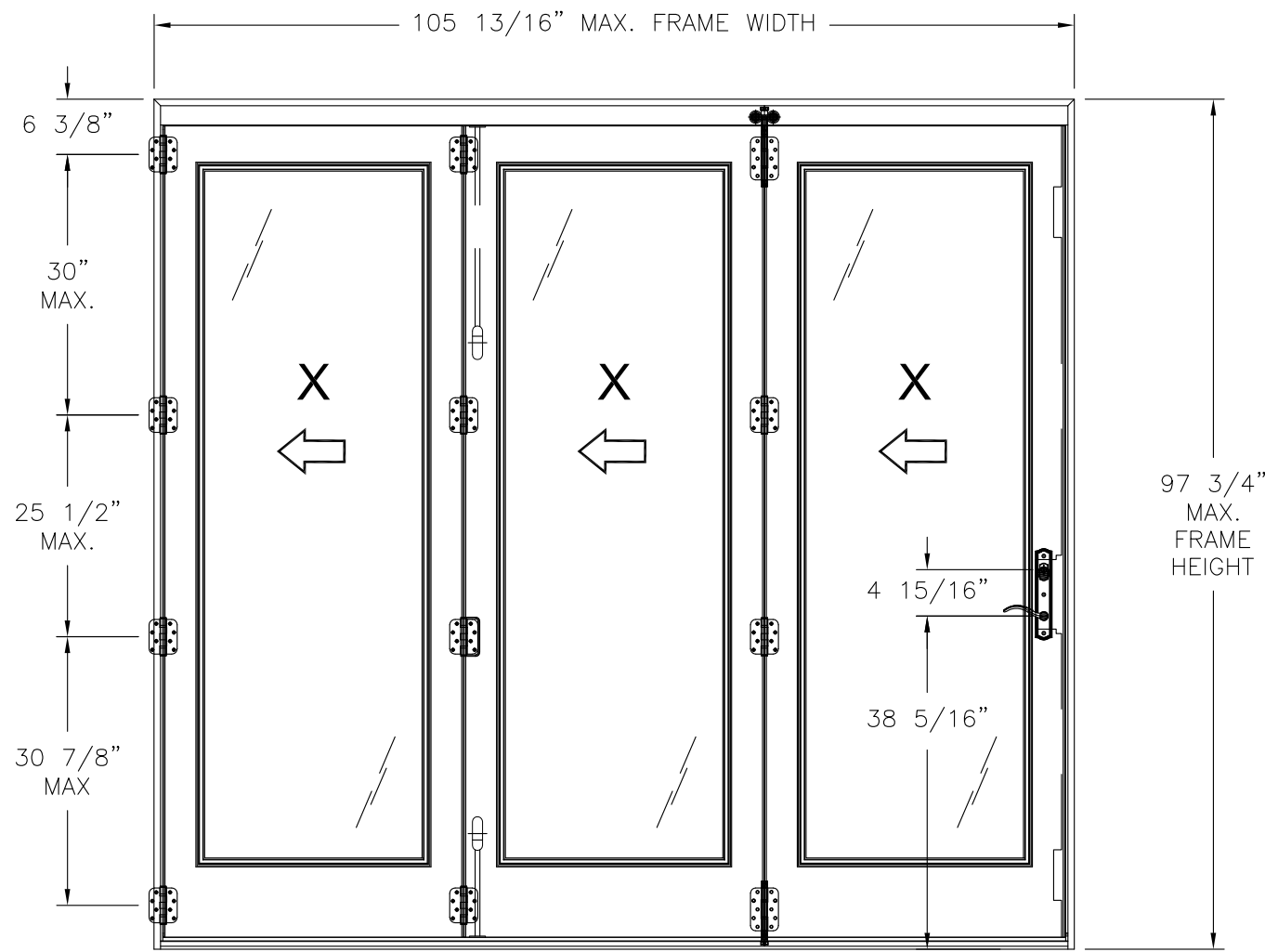
TABLE OF CONTENTS	
SHEET NO.	DESCRIPTION
1	NOTES
2	ELEVATION
3 - 5	INSTALLATION DETAILS
6	HARDWARE COMPONENTS

NAN YA PLASTICS CORPORATION USA 8989 NORTH LOOP EAST, SUITE 800 HOUSTON, TX 77029		
SERIES JBL FIBERGLASS OUT-SWING FOLDING DOOR - NON IMPACT NOTES		
DRAWN: N.G.	DWG NO. 08-02883	REV -
SCALE NTS	DATE 02/24/16	SHEET 1 OF 6



Luis R. Lomas P.E.
TX No.: 101889

REVISIONS			
REV	DESCRIPTION	DATE	APPROVED



SERIES JBL FIBERGLASS OS FOLDING DOOR
EXTERIOR VIEW

DESIGN PRESSURE RATING	IMPACT RATING
±45.0PSF	NONE

- NOTES:
1. MAXIMUM PANEL SIZE: 34 1/2" X 93 5/16"
 2. MAXIMUM D.L.O.: 25" X 79"

HARDWARE SCHEDULE	
A.	(4) HINGES 4" PER PANEL
B.	(1) HINGE WITH CARRIER AT HINGE STILE
C.	(1) MULTIPPOINT LOCK (SS930093) BY JAM YUAN ENTERPRISES WITH KEEPERS
D.	(1) 12" FLUSH BOLT BAR AT PANEL BOTTOM
F.	(1) 25" FLUSH BOLT BAR AT PANEL TOP

NAN YA PLASTICS CORPORATION USA
8989 NORTH LOOP EAST, SUITE 800
HOUSTON, TX 77029

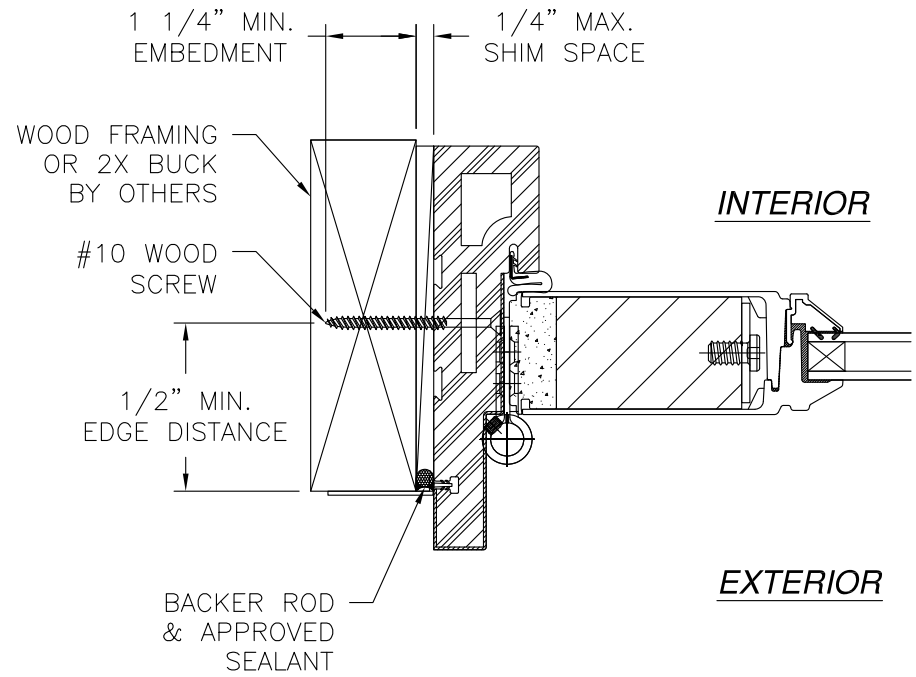
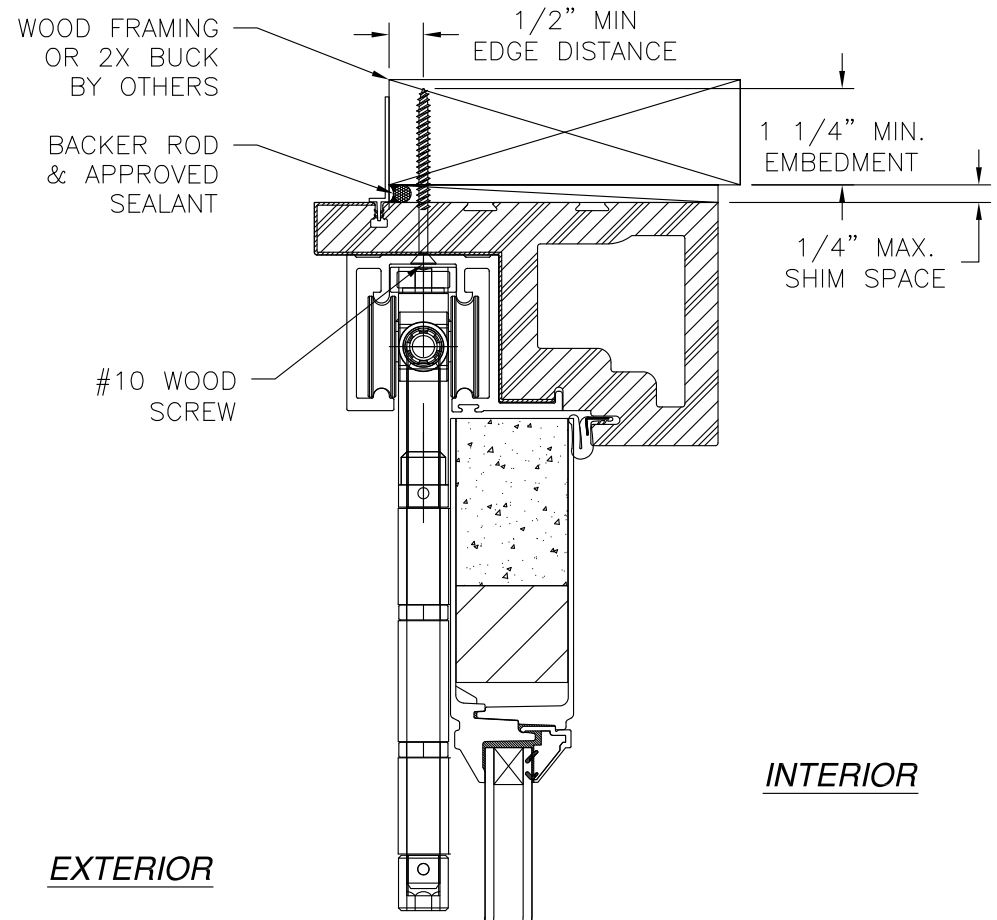
SERIES JBL FIBERGLASS OUT-SWING
FOLDING DOOR – NON IMPACT
ELEVATION

DRAWN: N.G.	DWG NO. 08-02883	REV -
SCALE NTS	DATE 02/24/16	SHEET 2 OF 6

SIGNED: 02/25/2016

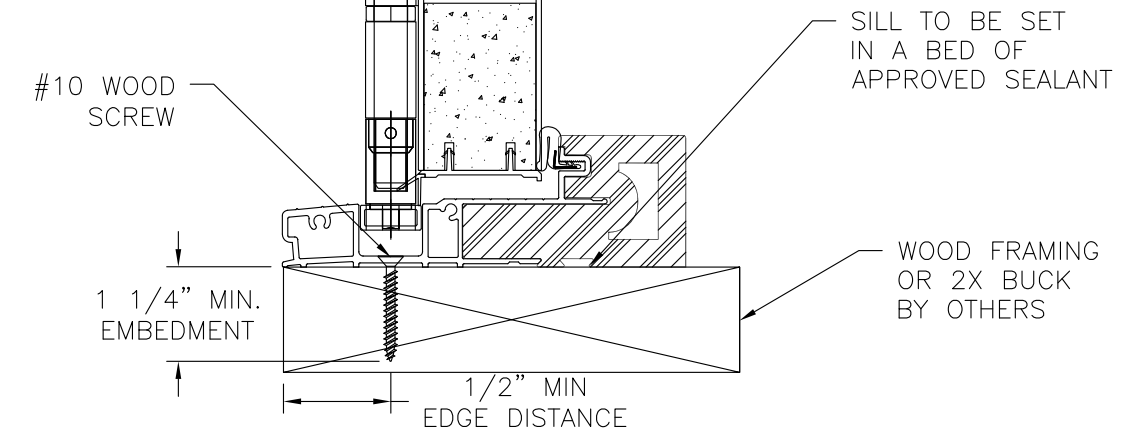
Luis R. Lomas P.E.
TX No.: 101889

REVISIONS			
REV	DESCRIPTION	DATE	APPROVED



JAMB INSTALLATION DETAIL
WOOD FRAMING OR 2X BUCK INSTALLATION

- NOTES:**
1. INTERIOR AND EXTERIOR FINISHES, BY OTHERS, NOT SHOWN FOR CLARITY.
 2. PERIMETER AND JOINT SEALANT BY OTHERS TO BE DESIGNED IN ACCORDANCE WITH ASTM E2112



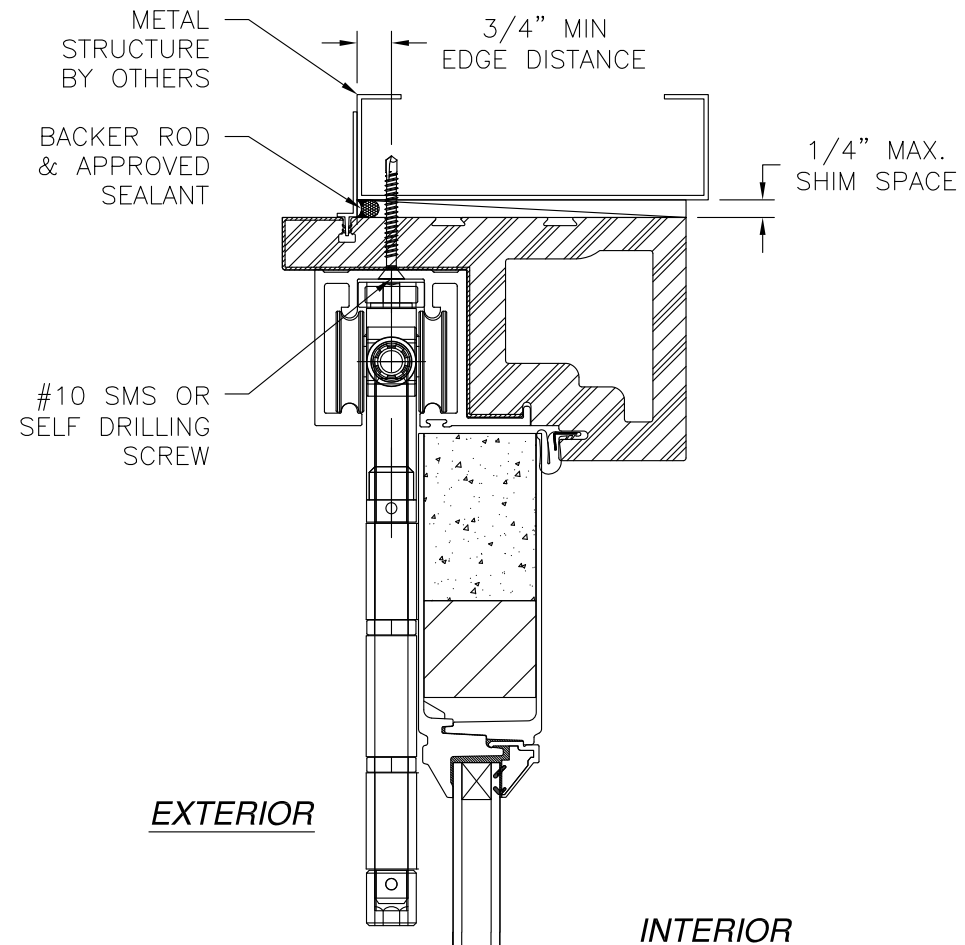
VERTICAL CROSS SECTION
WOOD FRAMING OR 2X BUCK INSTALLATION

SIGNED: 02/25/2016

<p>NAN YA PLASTICS CORPORATION USA 8989 NORTH LOOP EAST, SUITE 800 HOUSTON, TX 77029</p>		
<p>SERIES JBL FIBERGLASS OUT-SWING FOLDING DOOR - NON IMPACT INSTALLATION DETAILS</p>		
<p>DRAWN: N.G.</p>	<p>DWG NO. 08-02883</p>	<p>REV -</p>
<p>SCALE NTS</p>	<p>DATE 02/24/16</p>	<p>SHEET 3 OF 6</p>

Luis R. Lomas P.E.
TX No.: 101889

REVISIONS			
REV	DESCRIPTION	DATE	APPROVED



EXTERIOR

INTERIOR

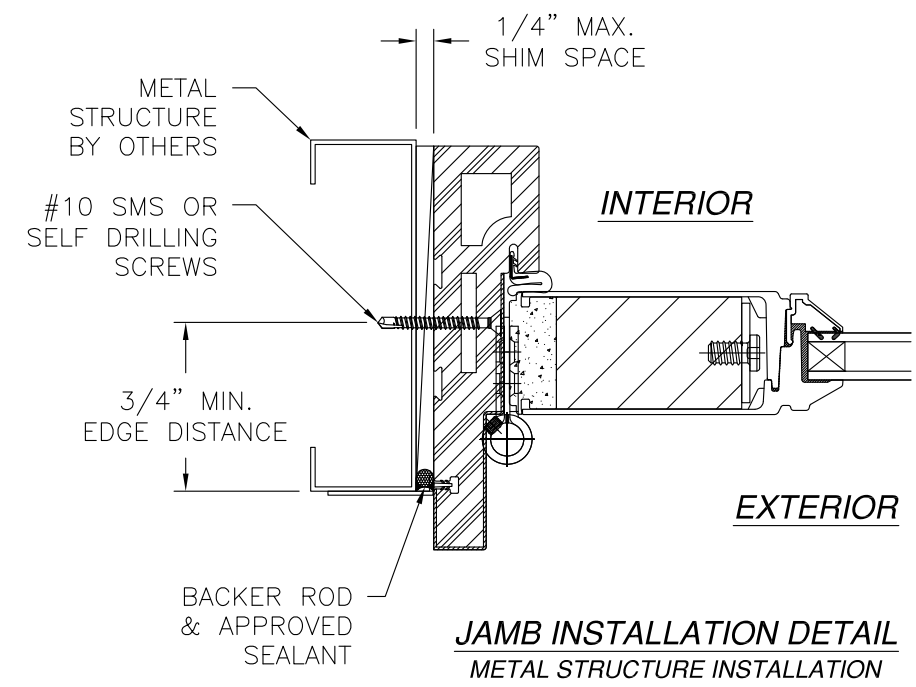
#10 SMS OR SELF DRILLING SCREW

SILL TO BE SET IN A BED OF APPROVED SEALANT

METAL STRUCTURE BY OTHERS

3/4" MIN EDGE DISTANCE

VERTICAL CROSS SECTION
METAL STRUCTURE INSTALLATION



INTERIOR

EXTERIOR

JAMB INSTALLATION DETAIL
METAL STRUCTURE INSTALLATION

NOTES:

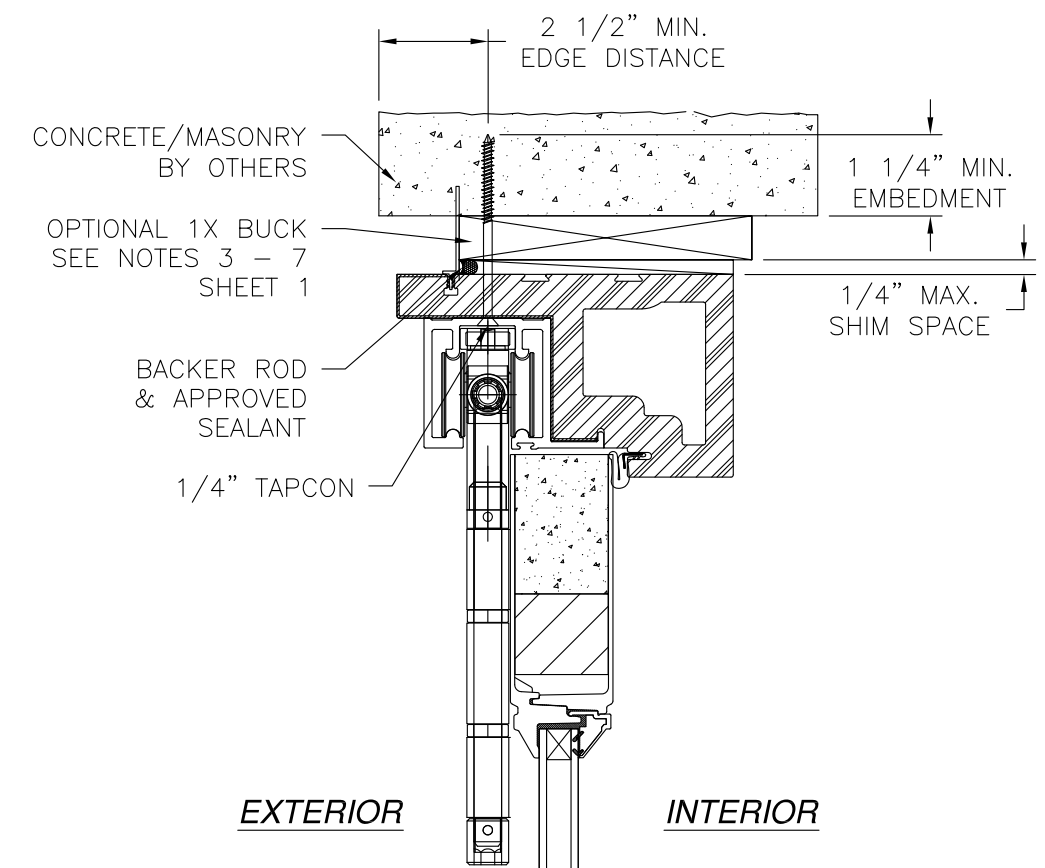
1. INTERIOR AND EXTERIOR FINISHES, BY OTHERS, NOT SHOWN FOR CLARITY.
2. PERIMETER AND JOINT SEALANT BY OTHERS TO BE DESIGNED IN ACCORDANCE WITH ASTM E2112

SIGNED: 02/25/2016

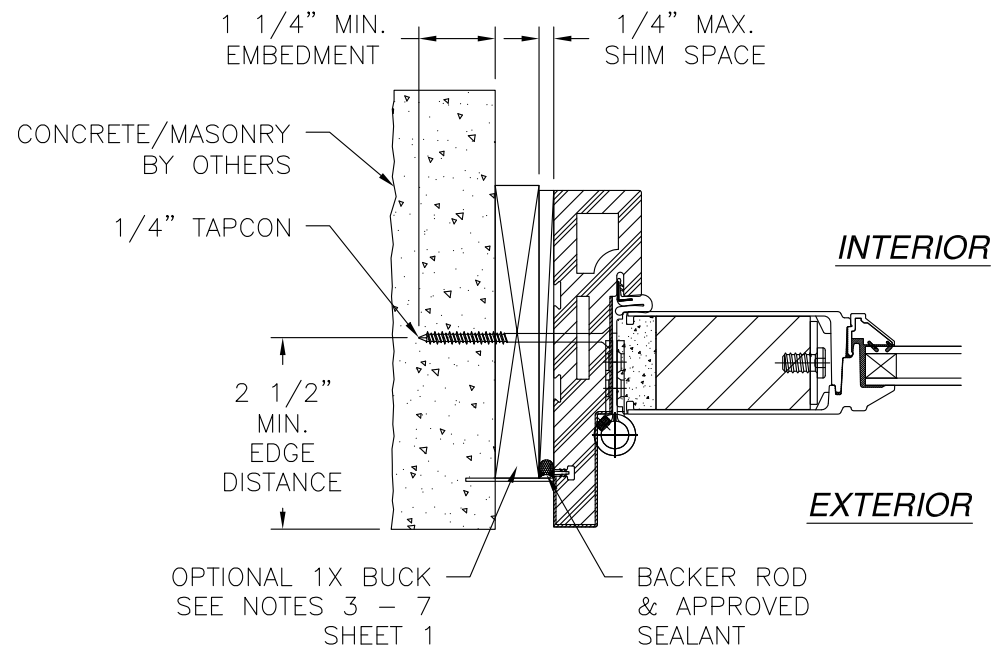
<p>NAN YA PLASTICS CORPORATION USA 8989 NORTH LOOP EAST, SUITE 800 HOUSTON, TX 77029</p>		
<p>SERIES JBL FIBERGLASS OUT-SWING FOLDING DOOR - NON IMPACT INSTALLATION DETAILS</p>		
DRAWN: N.G.	DWG NO. 08-02883	REV -
SCALE NTS	DATE 02/24/16	SHEET 4 OF 6

Luis R. Lomas P.E.
TX No.: 101889

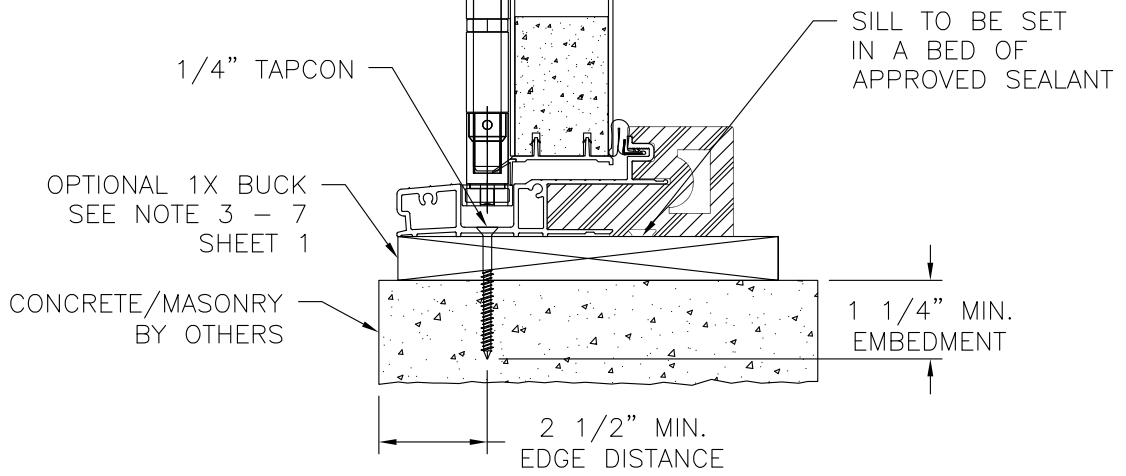
REVISIONS			
REV	DESCRIPTION	DATE	APPROVED



EXTERIOR **INTERIOR**



JAMB INSTALLATION DETAIL
CONCRETE/MASONRY INSTALLATION



VERTICAL CROSS SECTION
CONCRETE/MASONRY INSTALLATION

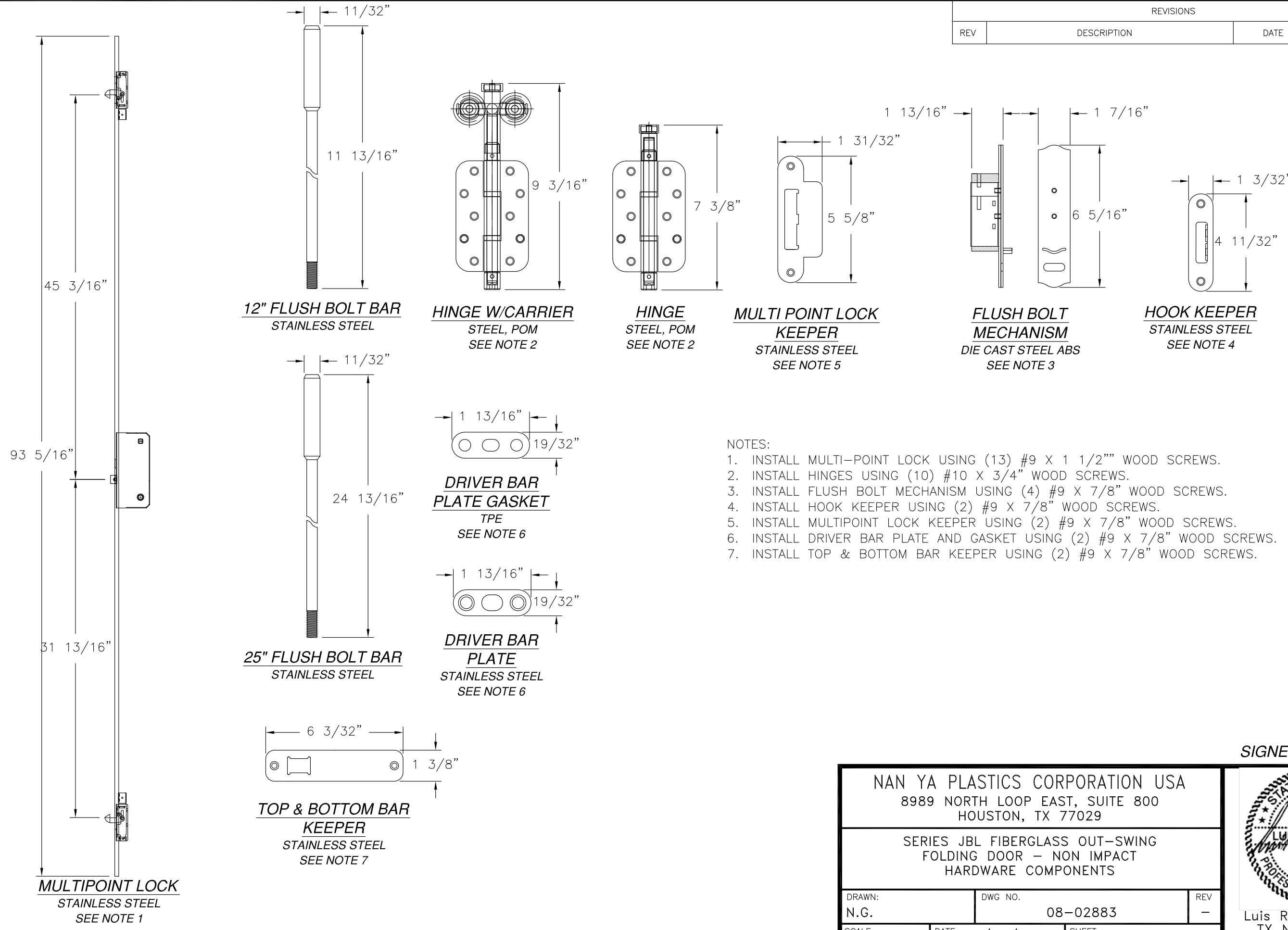
- NOTES:**
1. INTERIOR AND EXTERIOR FINISHES, BY OTHERS, NOT SHOWN FOR CLARITY.
 2. PERIMETER AND JOINT SEALANT BY OTHERS TO BE DESIGNED IN ACCORDANCE WITH ASTM E2112

SIGNED: 02/25/2016

NAN YA PLASTICS CORPORATION USA 8989 NORTH LOOP EAST, SUITE 800 HOUSTON, TX 77029		
SERIES JBL FIBERGLASS OUT-SWING FOLDING DOOR - NON IMPACT INSTALLATION DETAILS		
DRAWN: N.G.	DWG NO. 08-02883	REV -
SCALE NTS	DATE 02/24/16	SHEET 5 OF 6

Luis R. Lomas P.E.
TX No.: 101889

REVISIONS			
REV	DESCRIPTION	DATE	APPROVED



12" FLUSH BOLT BAR
STAINLESS STEEL

HINGE W/CARRIER
STEEL, POM
SEE NOTE 2

HINGE
STEEL, POM
SEE NOTE 2

MULTI POINT LOCK KEEPER
STAINLESS STEEL
SEE NOTE 5

FLUSH BOLT MECHANISM
DIE CAST STEEL ABS
SEE NOTE 3

HOOK KEEPER
STAINLESS STEEL
SEE NOTE 4

25" FLUSH BOLT BAR
STAINLESS STEEL

DRIVER BAR PLATE GASKET
TPE
SEE NOTE 6

DRIVER BAR PLATE
STAINLESS STEEL
SEE NOTE 6

TOP & BOTTOM BAR KEEPER
STAINLESS STEEL
SEE NOTE 7

MULTIPOINT LOCK
STAINLESS STEEL
SEE NOTE 1

- NOTES:
1. INSTALL MULTI-POINT LOCK USING (13) #9 X 1 1/2" WOOD SCREWS.
 2. INSTALL HINGES USING (10) #10 X 3/4" WOOD SCREWS.
 3. INSTALL FLUSH BOLT MECHANISM USING (4) #9 X 7/8" WOOD SCREWS.
 4. INSTALL HOOK KEEPER USING (2) #9 X 7/8" WOOD SCREWS.
 5. INSTALL MULTIPPOINT LOCK KEEPER USING (2) #9 X 7/8" WOOD SCREWS.
 6. INSTALL DRIVER BAR PLATE AND GASKET USING (2) #9 X 7/8" WOOD SCREWS.
 7. INSTALL TOP & BOTTOM BAR KEEPER USING (2) #9 X 7/8" WOOD SCREWS.

SIGNED: 02/25/2016

NAN YA PLASTICS CORPORATION USA 8989 NORTH LOOP EAST, SUITE 800 HOUSTON, TX 77029		
SERIES JBL FIBERGLASS OUT-SWING FOLDING DOOR - NON IMPACT HARDWARE COMPONENTS		
DRAWN: N.G.	DWG NO. 08-02883	REV -
SCALE NTS	DATE 02/24/16	SHEET 6 OF 6

Luis R. Lomas P.E.
TX No.: 101889