

REVISIONS			
REV	DESCRIPTION	DATE	APPROVED
B	UPDATED PER NEW CODES	09/30/2021	R.L.

NOTES:

1. THE PRODUCT SHOWN HEREIN IS DESIGNED AND MANUFACTURED TO COMPLY WITH REQUIREMENTS OF THE 2018 IBC AND 2018 IRC.
2. WOOD FRAMING AND MASONRY OPENING TO BE DESIGNED AND ANCHORED TO PROPERLY TRANSFER ALL LOADS TO STRUCTURE. FRAMING AND MASONRY OPENING IS THE RESPONSIBILITY OF THE ARCHITECT OR ENGINEER OF RECORD.
3. 1X BUCK OVER MASONRY/CONCRETE IS OPTIONAL.
4. WHERE SHIM OR BUCK THICKNESS IS LESS THAN 1-1/2" WINDOW UNITS MUST BE ANCHORED THROUGH THE FRAME IN ACCORDANCE WITH MANUFACTURER'S PUBLISHED INSTALLATION INSTRUCTIONS. ANCHORS SHALL BE SECURELY FASTENED DIRECTLY INTO MASONRY, CONCRETE OR OTHER STRUCTURAL SUBSTRATE MATERIAL.
5. WHERE WOOD BUCK THICKNESS IS 1-1/2" OR GREATER, BUCK SHALL BE SECURELY FASTENED TO MASONRY, CONCRETE OR OTHER STRUCTURAL SUBSTRATE. WINDOW UNITS MAY BE ANCHORED THROUGH FRAME TO SECURED WOOD BUCK IN ACCORDANCE WITH MANUFACTURER'S PUBLISHED INSTALLATION INSTRUCTIONS.
6. WHERE 1X BUCK IS NOT USED DISSIMILAR MATERIALS MUST BE SEPARATED WITH APPROVED COATING OR MEMBRANE. SELECTION OF COATING OR MEMBRANE IS THE RESPONSIBILITY OF THE ARCHITECT OR ENGINEER OF RECORD.
7. BUCKS SHALL EXTEND BEYOND WINDOW INTERIOR FACE SO THAT FULL FRAME SUPPORT IS PROVIDED.
8. FOR FIN INSTALLATION SHIM AS NEEDED. FOR FRAME INSTALLATION SHIM AS REQUIRED AT EACH ANCHOR LOCATION WITH LOAD BEARING SHIM. SHIM WHERE SPACE OF 1/16" OR GREATER OCCURS. MAXIMUM ALLOWABLE SHIM STACK TO BE 1/4".
9. SHIMS SHALL BE LOCATED, APPLIED AND MADE FROM MATERIALS AND THICKNESS CAPABLE OF SUSTAINING APPLICABLE LOADS.
10. WIND LOAD DURATION FACTOR $C_d=1.6$ WAS USED FOR WOOD ANCHOR CALCULATIONS.
11. FRAME MATERIAL: CO-EXTRUDED PVC FOAM.
12. UNITS MUST BE GLAZED WITH SAFETY GLASS PER ASTM E1300, SEE SHEET 6 FOR GLASS DETAILS.
13. APPROVED IMPACT PROTECTIVE SYSTEM IS NOT REQUIRED FOR THIS PRODUCT IN WIND BORNE DEBRIS REGIONS.
14. FOR ANCHORING INTO WOOD FRAMING OR 2X BUCK USE #10 WOOD SCREWS WITH SUFFICIENT LENGTH TO ACHIEVE A 1 1/4" MINIMUM EMBEDMENT INTO SUBSTRATE. LOCATE ANCHORS AS SHOWN IN ELEVATIONS AND INSTALLATION DETAILS.

15. FOR ANCHORING INTO MASONRY/CONCRETE USE 3/16" TAPCONS WITH SUFFICIENT LENGTH TO ACHIEVE A 1 3/4" MINIMUM EMBEDMENT INTO SUBSTRATE WITH 2" MINIMUM EDGE DISTANCE. LOCATE ANCHORS AS SHOWN IN ELEVATIONS AND INSTALLATION DETAILS.
16. FOR ANCHORING INTO METAL STRUCTURE USE #10 SMS OR SELF DRILLING SCREWS WITH SUFFICIENT LENGTH TO ACHIEVE 3 THREADS MINIMUM BEYOND STRUCTURE INTERIOR WALL. LOCATE ANCHORS AS SHOWN IN ELEVATIONS AND INSTALLATION DETAILS.
17. ALL FASTENERS TO BE CORROSION RESISTANT.
18. INSTALLATION ANCHORS SHALL BE INSTALLED IN ACCORDANCE WITH ANCHOR MANUFACTURER'S INSTALLATION INSTRUCTIONS AND ANCHORS SHALL NOT BE USED IN SUBSTRATES WITH STRENGTHS LESS THAN THE MINIMUM STRENGTH SPECIFIED BELOW:
 - A. WOOD - MINIMUM SPECIFIC GRAVITY OF $G=0.42$
 - B. CONCRETE - MINIMUM COMPRESSIVE STRENGTH OF 2,000 PSI.
 - C. MASONRY - GROUT FILLED BLOCK PER ASTM C90 WITH $F_m=2,000$ PSI MINIMUM.
 - D. METAL STRUCTURE: STEEL 18GA, 33KSI OR ALUMINUM 6063-T5 1/8" THICK MINIMUM
19. APPROVED CONFIGURATIONS: X, X/O, O/X, OX, XO, OX/O, XO/O, XX, XX/O, O/XX, OXX, XXO, OXX/O AND O/XXO, SEE SHEET 3.
20. SIDELITES ARE ASSEMBLED TO FRAME WITH #10X2 1/2" WOOD SCREWS LOCATED 4" FROM EACH END AND 18 1/2" MAX O.C. THEREAFTER AT JAMBS AND 4" FROM EACH END AND ONE AT MIDSPAN AT HEAD AND SILL.

TABLE OF CONTENTS	
SHEET NO.	DESCRIPTION
1	NOTES
2	ELEVATION
3	ADDITIONAL CONFIGURATIONS AND HARDWARE
4 - 5	ANCHORING LAYOUTS
6 - 12	INSTALLATION DETAILS

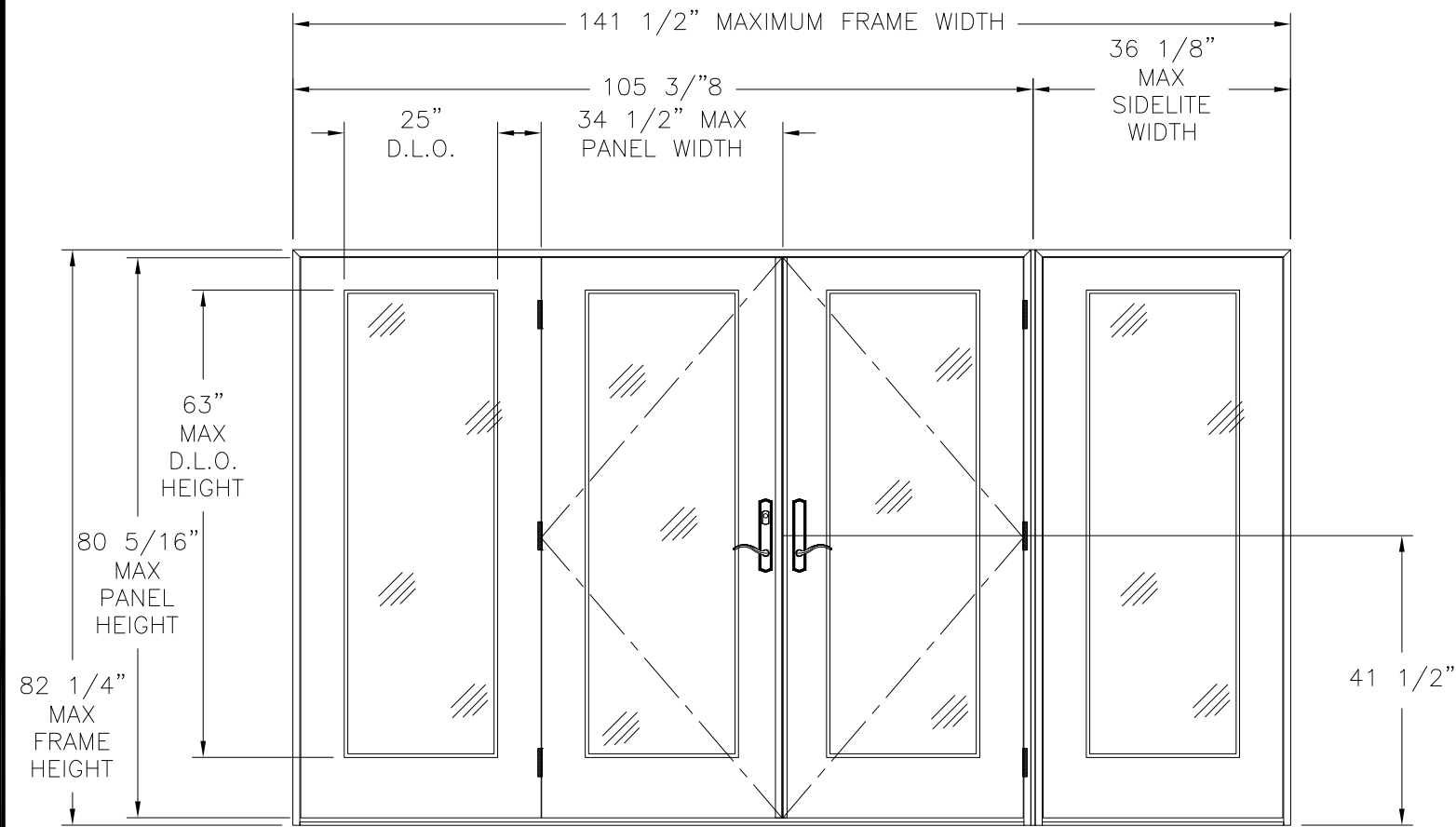
NAN YA PLASTICS CORP. USA 8989 NORTH LOOP EAST HOUSTON, TX 77029		
SERIES SLPS OUT-SWING GLAZED FIBERGLASS SIDE HINGED PATIO DOOR 6'11" IMPACT NOTES		
DRAWN: N.G.	DWG NO. 08-02791	REV B
SCALE NTS	DATE 09/01/15	SHEET 1 OF 12
L. ROBERTO LOMAS P.E. 1432 WOODFORD RD LEWISVILLE, NC 27023 434-688-0609 rllomas@rlomaspe.com		

SIGNED: 09/30/2021



Luis R. Lomas P.E.
TX No.: 101889

REVISIONS			
REV	DESCRIPTION	DATE	APPROVED
B	UPDATED PER NEW CODES	09/30/2021	R.L.



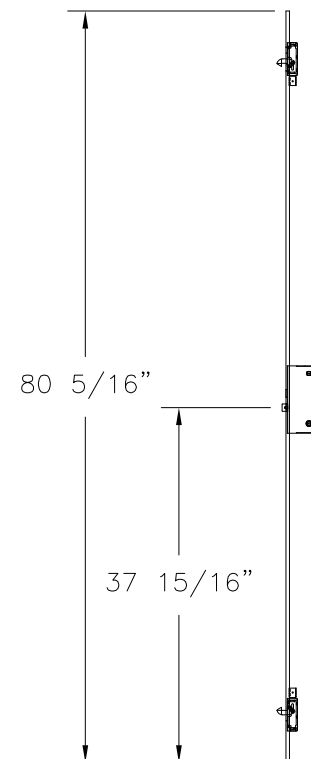
**OUT-SWING ENTRANCE DOOR
DOUBLE DOOR W/ SIDELITES
EXTERIOR VIEW**

DESIGN PRESSURE RATING	IMPACT RATING
±60.0PSF	LARGE AND SMALL MISSILE IMPACT

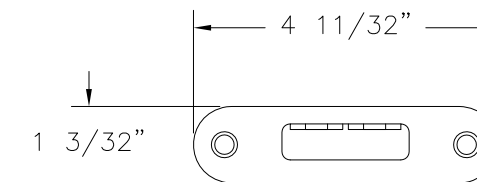
MISSILE LEVEL D, WIND ZONE 4

HARDWARE SCHEDULE

- A MULTI-POINT LOCK AT ACTIVE PANEL
- B (3) 4"x4" BUTT HINGES BY WENZHOU LONGTAI (PER PANEL)
- C ALUMINUM & PVC FOAM ASTRAGAL BY NAN YA PLASTICS



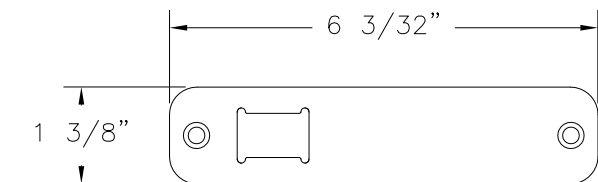
**MULTI-POINT LOCK
SS930 BY MICOTA TECH
STAINLESS STEEL**



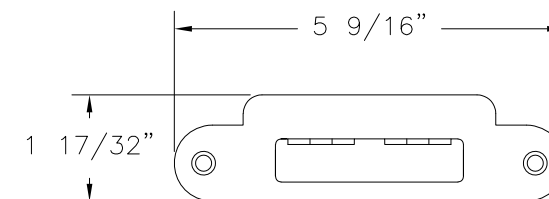
**KEEPER
SS92G BY MICOTA TECH
STAINLESS STEEL**



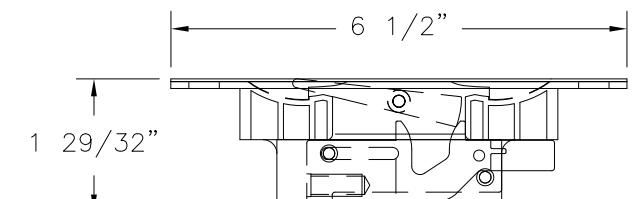
**FLUSH BOLT BAR
SS93B BY MICOTA TECH
STAINLESS STEEL**



**BAR KEEPER
SS92H BY MICOTA TECH
STAINLESS STEEL**



**KEEPER (MULTIPOINT)
SS92M BY MICOTA TECH
STAINLESS STEEL**



**FLUSH BOLT MECHANISM
SS93X BY MICOTA TECH
DIE CAST, STEEL, POM**

SIGNED: 09/30/2021

NAN YA PLASTICS CORP. USA
8989 NORTH LOOP EAST
HOUSTON, TX 77029

SERIES SLPS OUT-SWING GLAZED FIBERGLASS
SIDE HINGED PATIO DOOR 6'11 IMPACT
ELEVATION

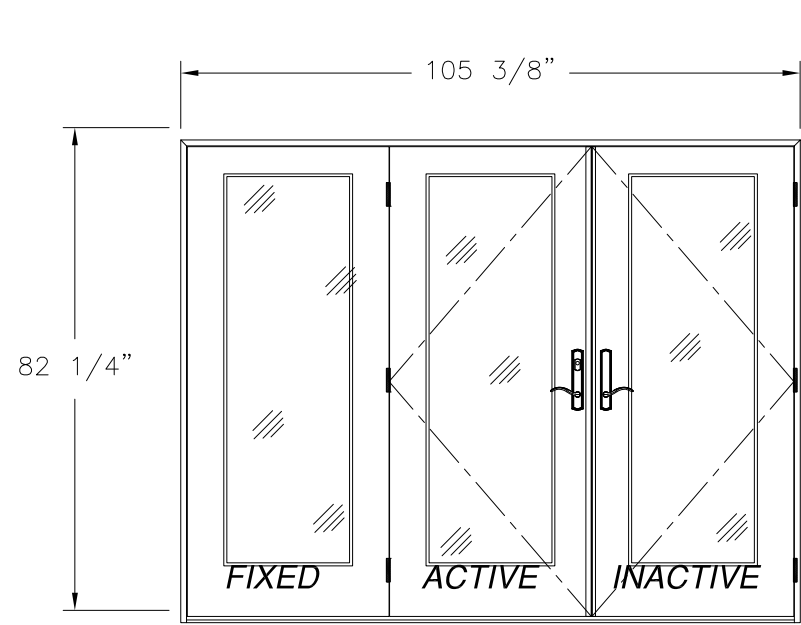
DRAWN: N.G.	DWG NO. 08-02791	REV B
SCALE NTS	DATE 09/01/15	SHEET 2 OF 12

L. ROBERTO LOMAS P.E.
1432 WOODFORD RD LEWISVILLE, NC 27023
434-688-0609 rllomas@rlomaspe.com

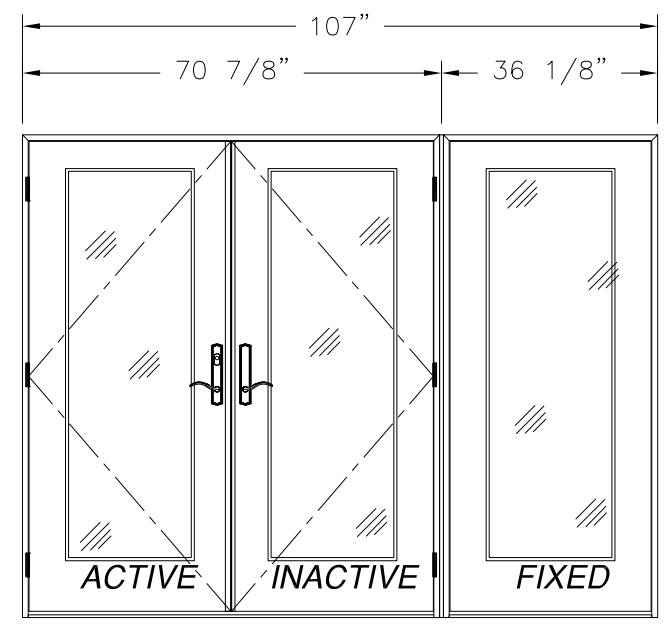


Luis R. Lomas P.E.
TX No.: 101889

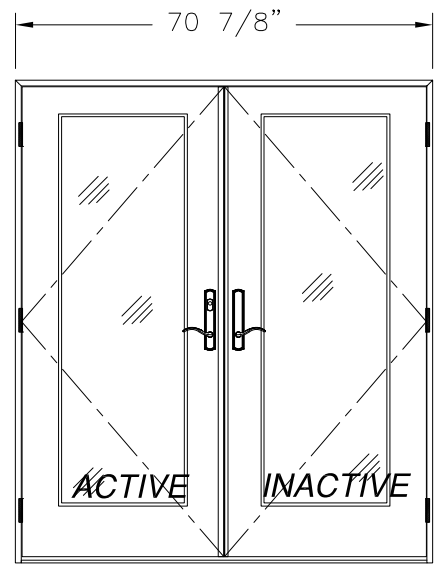
REVISIONS			
REV	DESCRIPTION	DATE	APPROVED
B	UPDATED PER NEW CODES	09/30/2021	R.L.



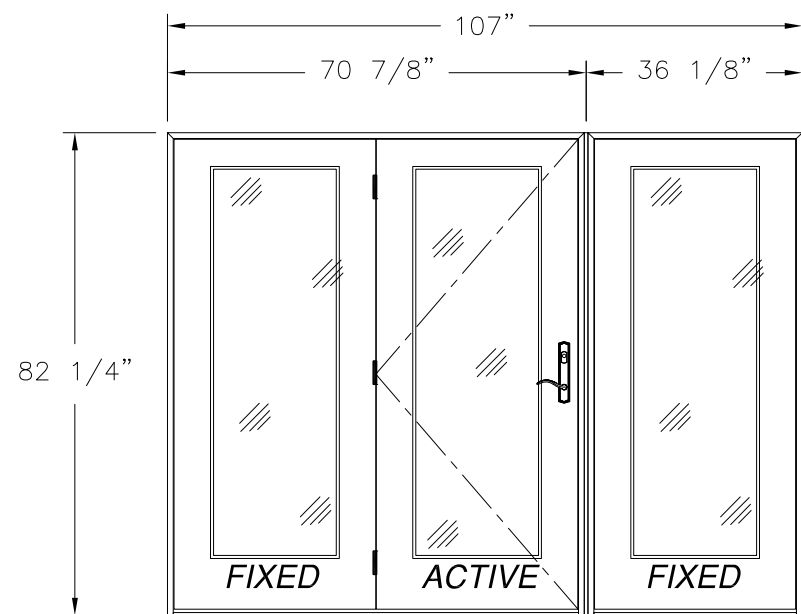
DOUBLE W/SIDELITE
EXTERIOR VIEW



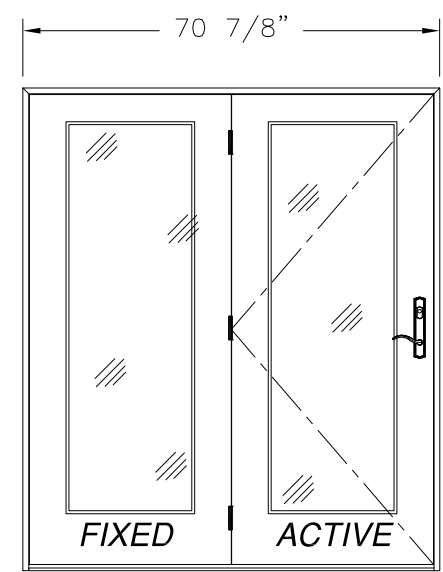
DOUBLE W/SIDELITE (MULL)
EXTERIOR VIEW



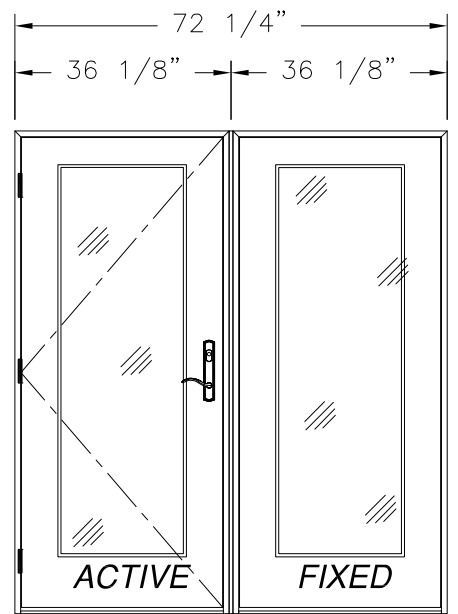
DOUBLE
EXTERIOR VIEW



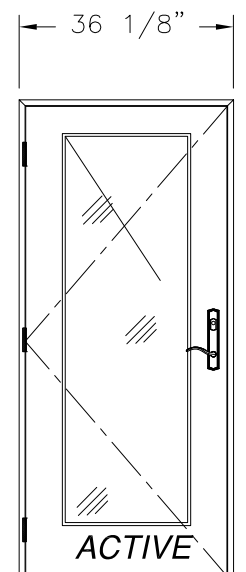
SINGLE W/SIDELITE (MULL)
EXTERIOR VIEW



SINGLE W/SIDELITE
EXTERIOR VIEW



SINGLE W/SIDELITE (MULL)
EXTERIOR VIEW



SINGLE
EXTERIOR VIEW

NOTE:
ALL APPROVED CONFIGURATIONS ARE SHOWN AS LEFT
HAND ACTIVE, RIGHT HAND ACTIVE IS ALSO APPROVED.

SIGNED: 09/30/2021

NAN YA PLASTICS CORP. USA
8989 NORTH LOOP EAST
HOUSTON, TX 77029

SERIES SLPS OUT-SWING GLAZED FIBERGLASS
SIDE HINGED PATIO DOOR 6'11 IMPACT
APPROVED CONFIGURATIONS

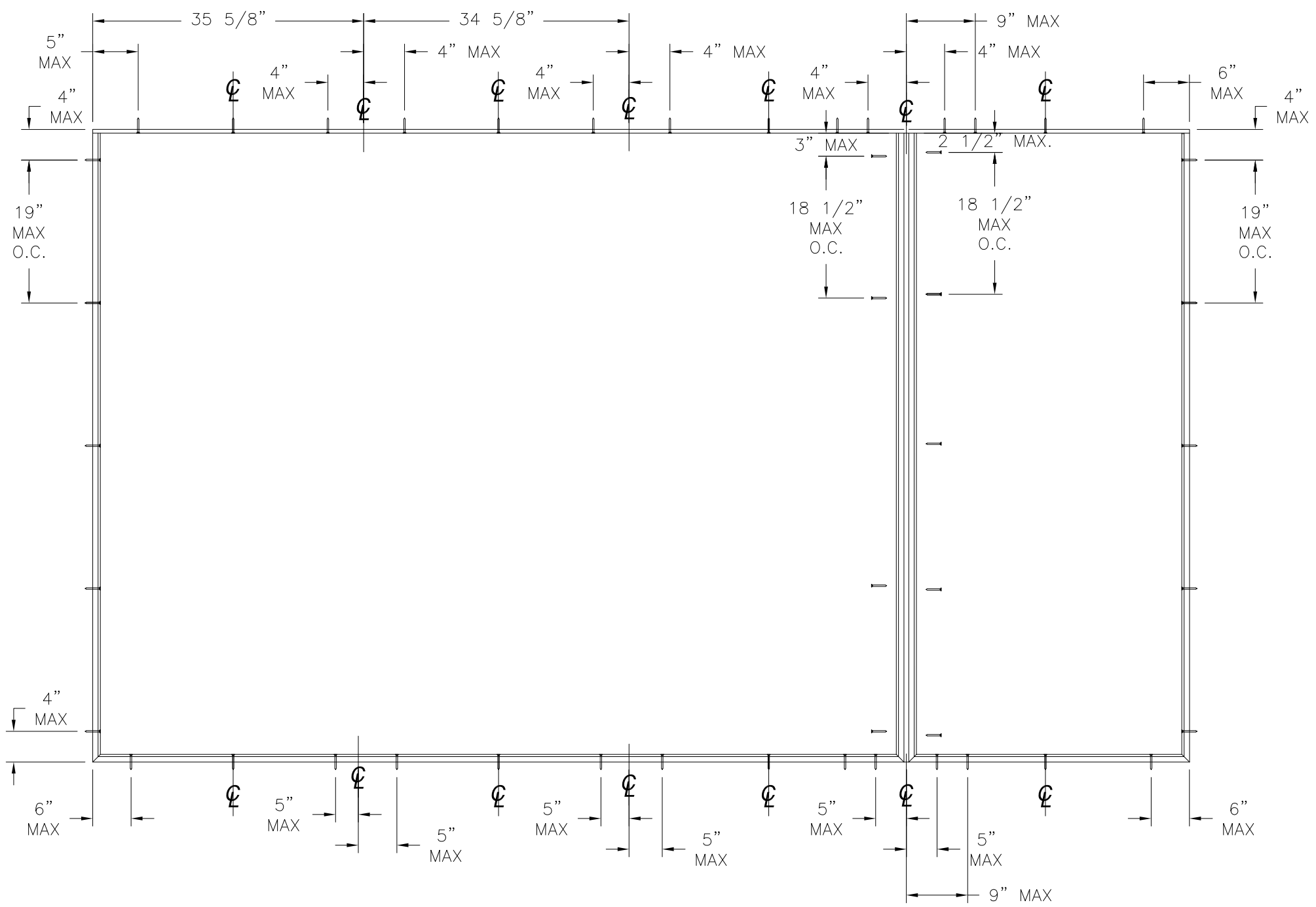
DRAWN: N.G.	DWG NO. 08-02791	REV B
SCALE NTS	DATE 09/01/15	SHEET 3 OF 12

L. ROBERTO LOMAS P.E.
1432 WOODFORD RD LEWISVILLE, NC 27023
434-688-0609 rllomas@lrlomaspe.com



Luis R. Lomas P.E.
TX No.: 101889

REVISIONS			
REV	DESCRIPTION	DATE	APPROVED
B	UPDATED PER NEW CODES	09/30/2021	R.L.



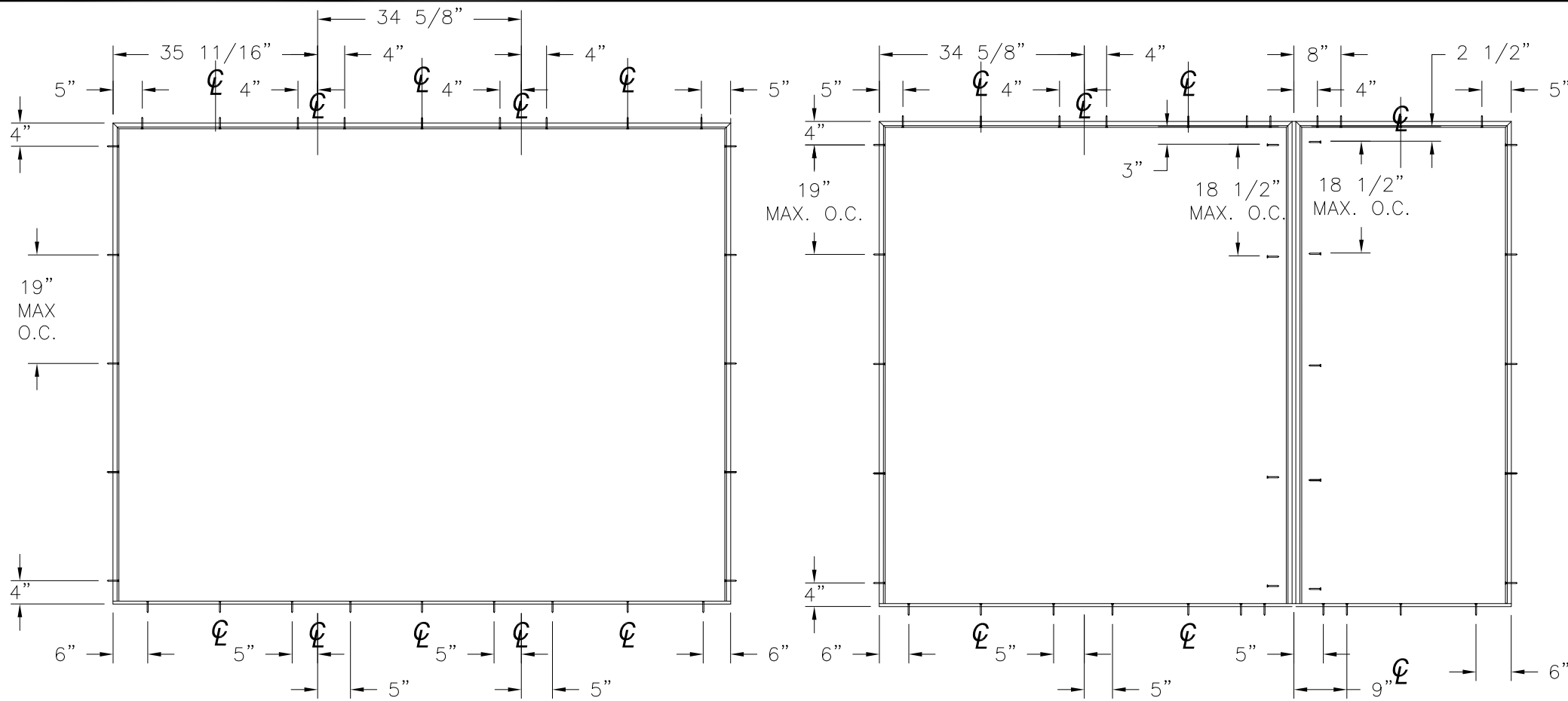
ANCHORING LAYOUT

SIGNED: 09/30/2021

<p>NAN YA PLASTICS CORP. USA 8989 NORTH LOOP EAST HOUSTON, TX 77029</p>		
<p>SERIES SLPS OUT-SWING GLAZED FIBERGLASS SIDE HINGED PATIO DOOR 6'11 IMPACT ANCHOR LAYOUT</p>		
<p>DRAWN: N.G.</p>	<p>DWG NO. 08-02791</p>	<p>REV B</p>
<p>SCALE NTS</p>	<p>DATE 09/01/15</p>	<p>SHEET 4 OF 12</p>
<p>L. ROBERTO LOMAS P.E. 1432 WOODFORD RD LEWISVILLE, NC 27023 434-688-0609 rllomas@rlomaspe.com</p>		



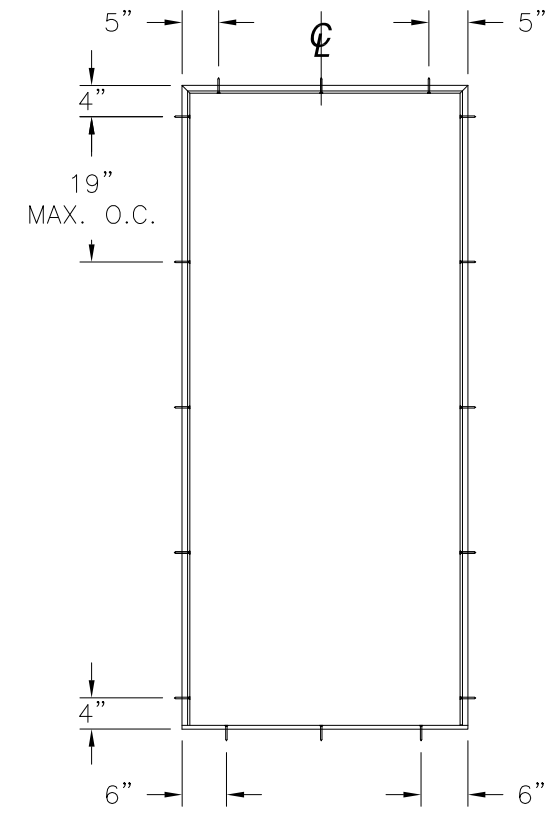
Luis R. Lomas P.E.
 TX No.: 101889



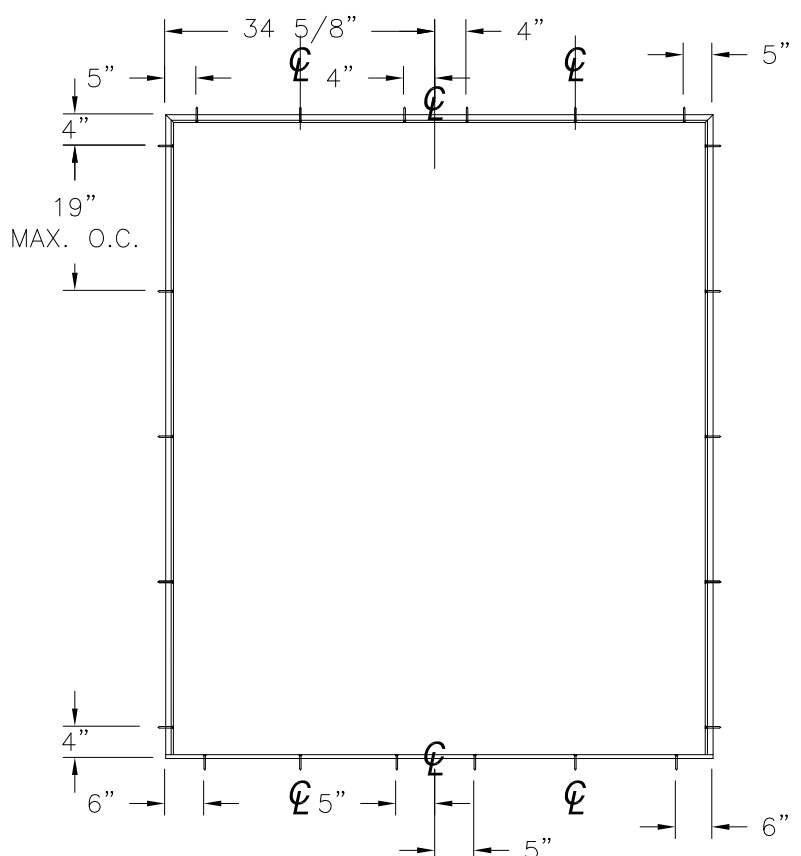
ANCHORING LAYOUT FOR OXO, XXO AND OXX

ANCHORING LAYOUT FOR OXO, XXO AND OXX (MULL)

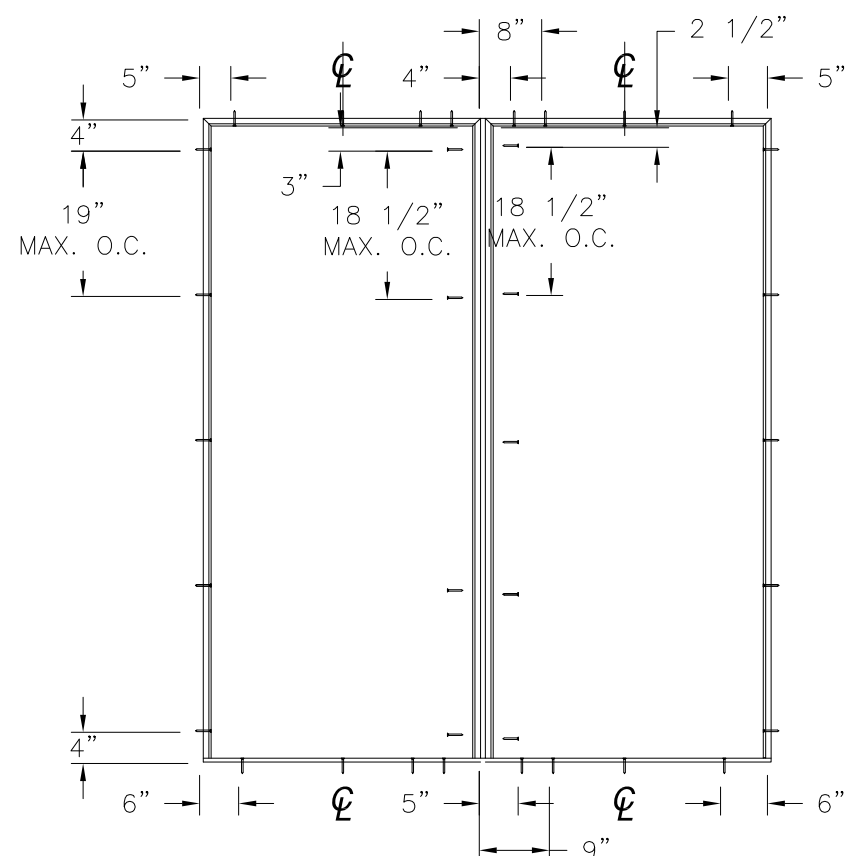
REVISIONS			
REV	DESCRIPTION	DATE	APPROVED
B	UPDATED PER NEW CODES	09/30/2021	R.L.



ANCHORING LAYOUT FOR X



ANCHORING LAYOUT FOR XX, OX AND XO



ANCHORING LAYOUT FOR OX AND XO (MULL)

NAN YA PLASTICS CORP. USA
 8989 NORTH LOOP EAST
 HOUSTON, TX 77029

SERIES SLPS OUT-SWING GLAZED FIBERGLASS
 SIDE HINGED PATIO DOOR 6'11 IMPACT
 ANCHOR LAYOUT

DRAWN: N.G.	DWG NO. 08-02791	REV B
SCALE NTS	DATE 09/01/15	SHEET 5 OF 12

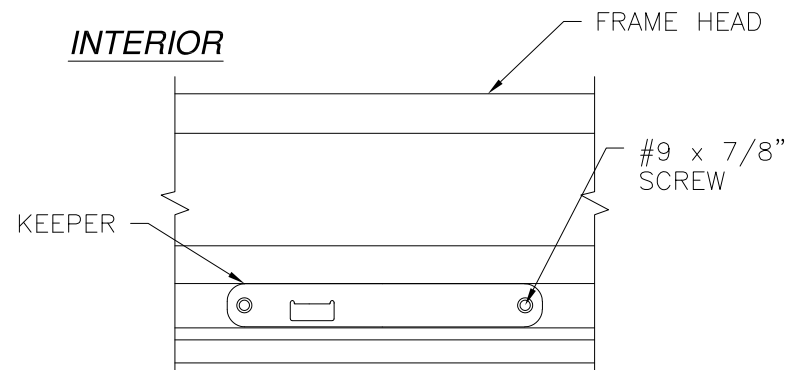
L. ROBERTO LOMAS P.E.
 1432 WOODFORD RD LEWISVILLE, NC 27023
 434-688-0609 rllomas@rlomaspe.com

SIGNED: 09/30/2021

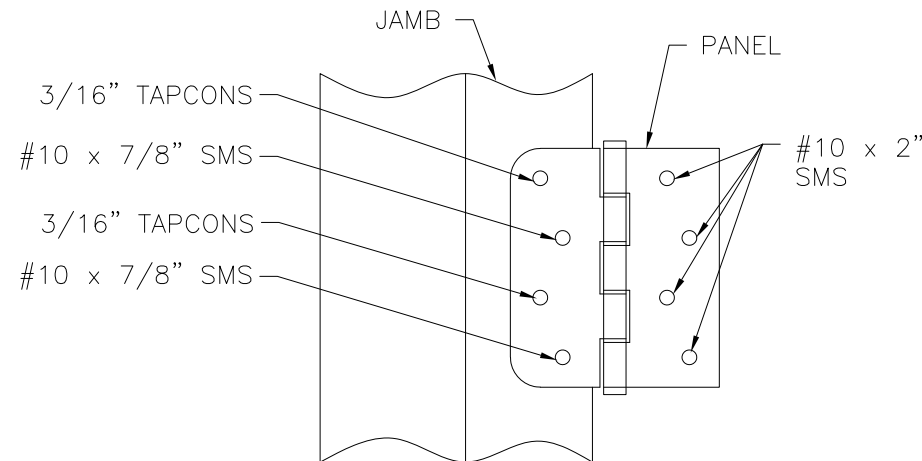


Luis R. Lomas P.E.
 TX No.: 101889

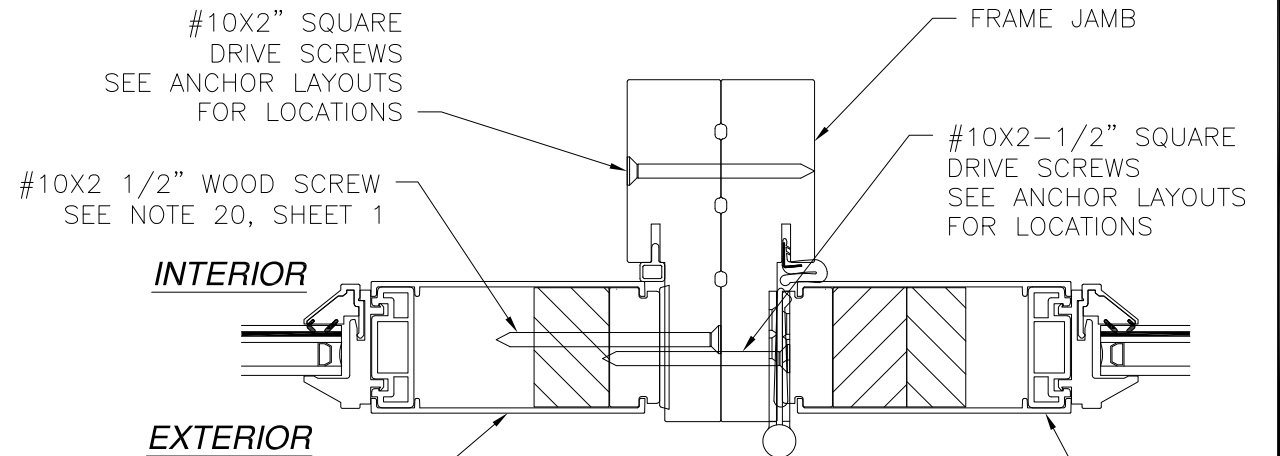
REVISIONS			
REV	DESCRIPTION	DATE	APPROVED
B	UPDATED PER NEW CODES	09/30/2021	R.L.



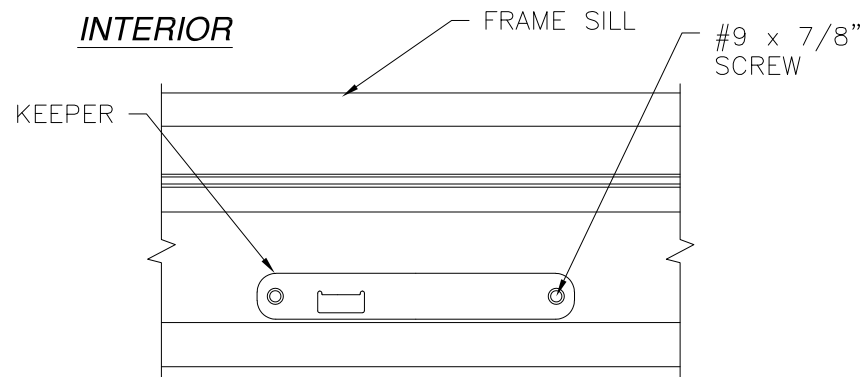
HEAD KEEPER DETAIL



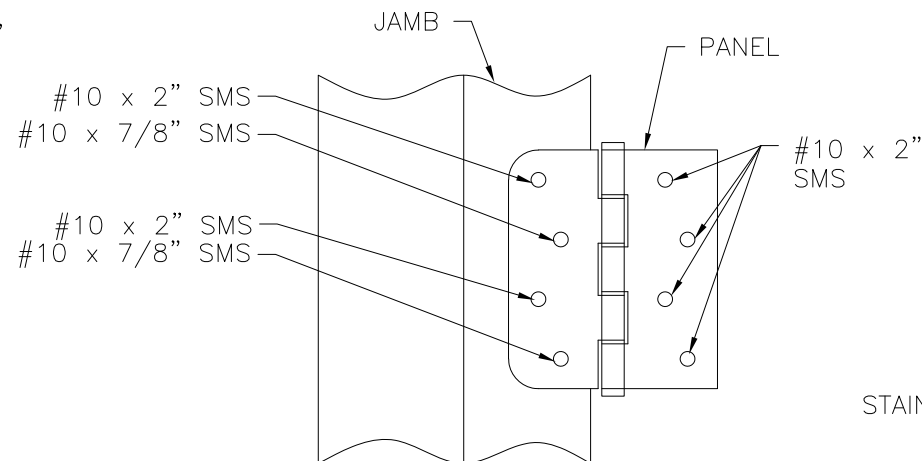
**HINGE INSTALLATION DETAIL
MASONRY/CONCRETE INSTALLATION**



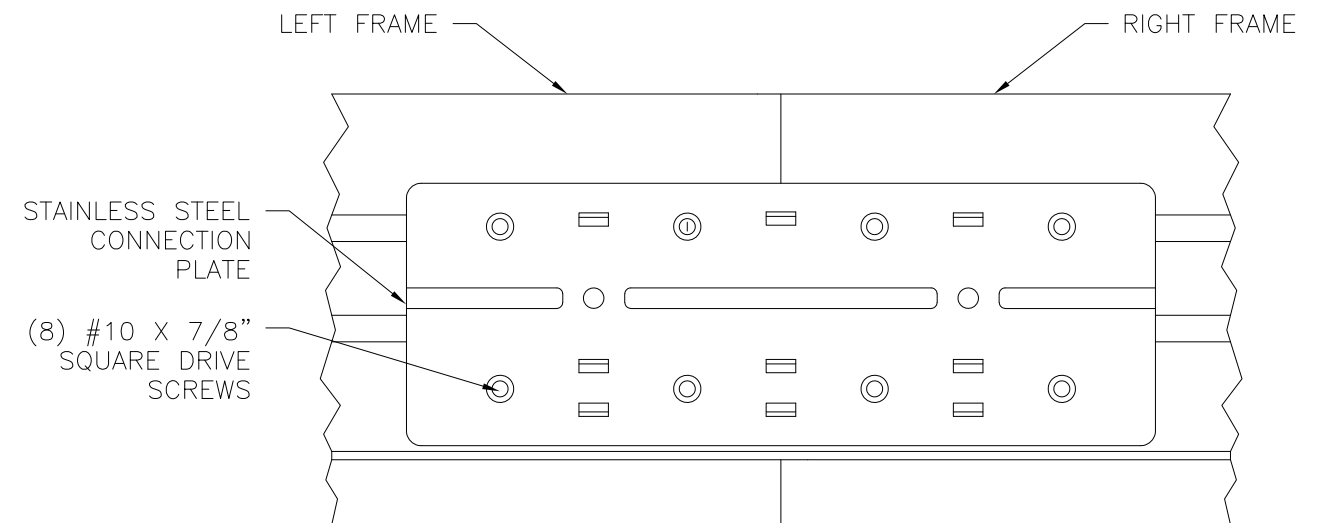
MULLION DETAIL



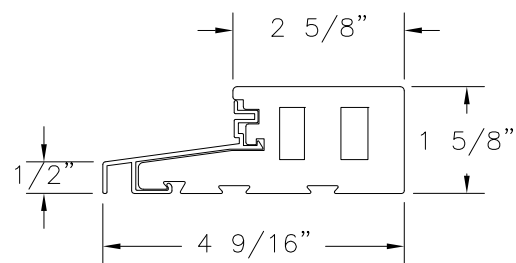
SILL KEEPER DETAIL



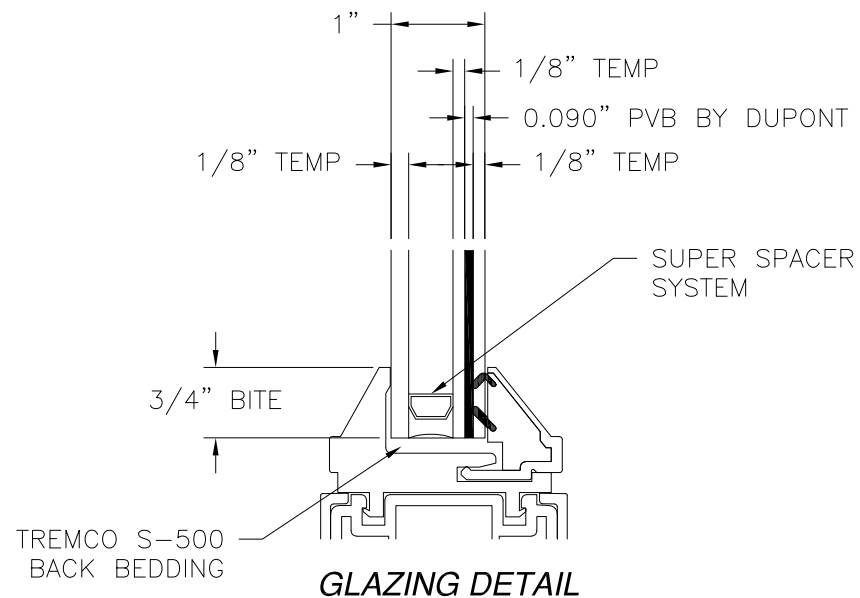
**HINGE INSTALLATION DETAIL
WOOD FRAMING INSTALLATION**



FRAME CONNECTION DETAIL



OUTSWING DOOR SILL DETAIL



GLAZING DETAIL

SIGNED: 09/30/2021

NAN YA PLASTICS CORP. USA
8989 NORTH LOOP EAST
HOUSTON, TX 77029

SERIES SLPS OUT-SWING GLAZED FIBERGLASS
SIDE HINGED PATIO DOOR 6'11 IMPACT
INSTALLATION DETAILS

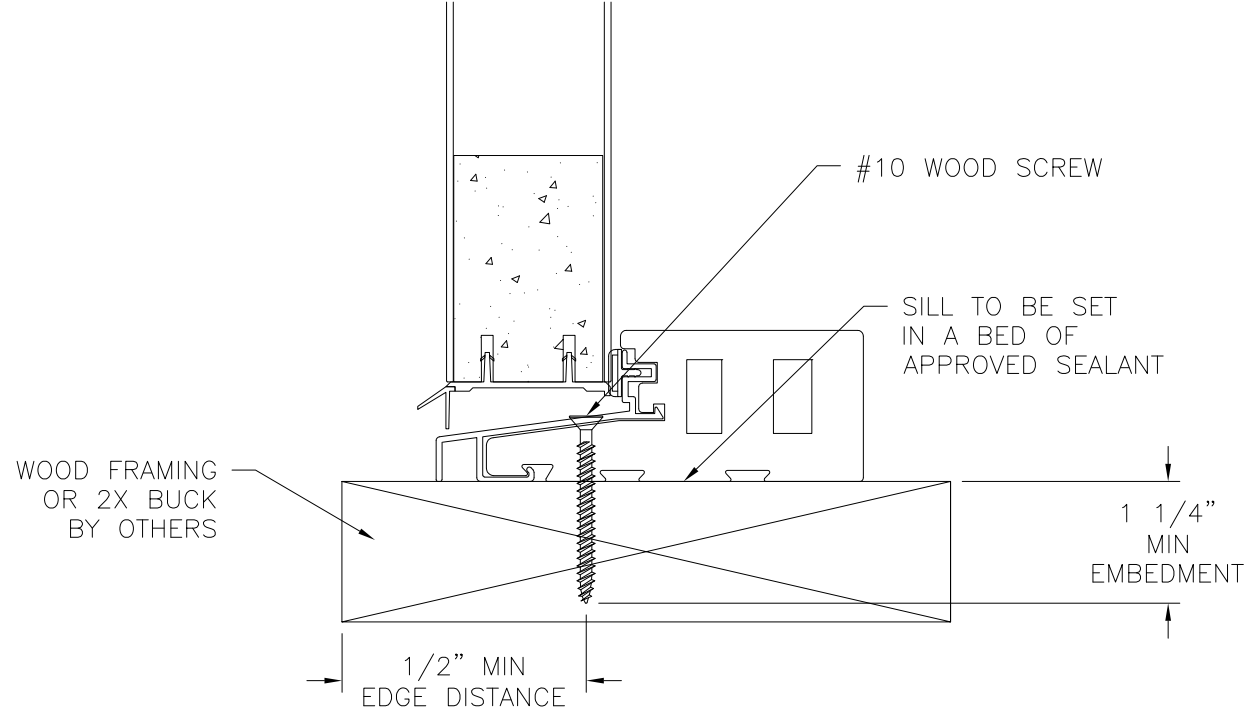
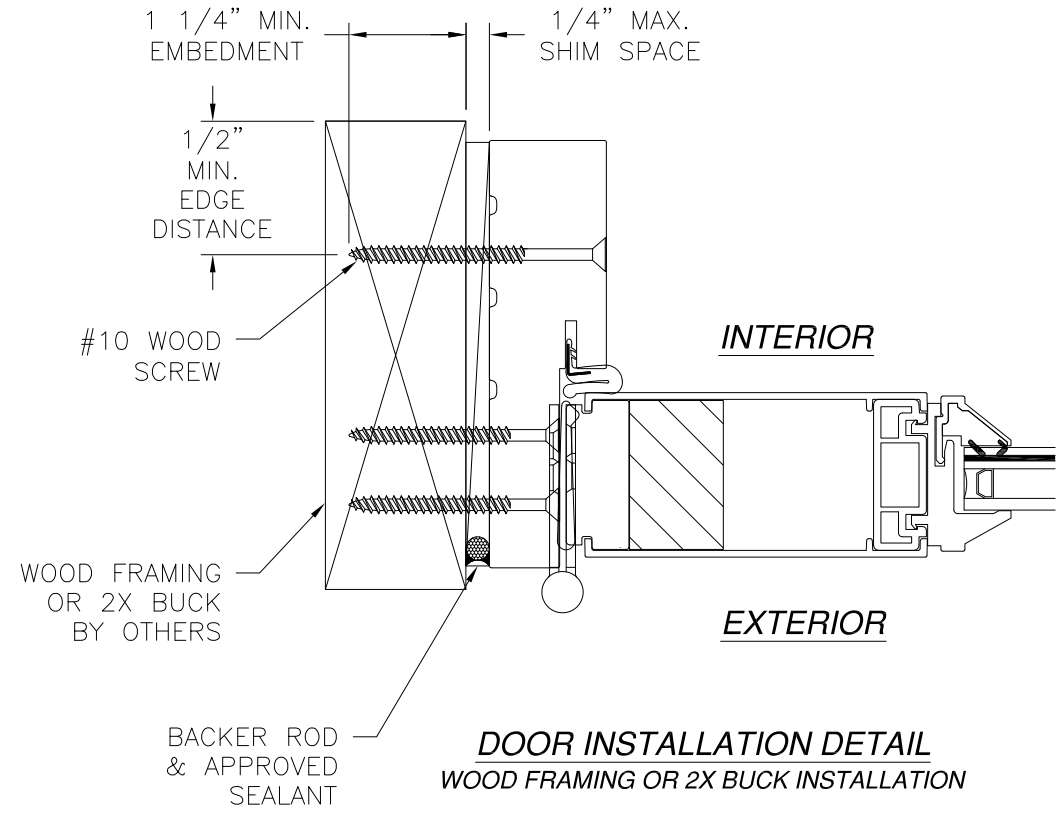
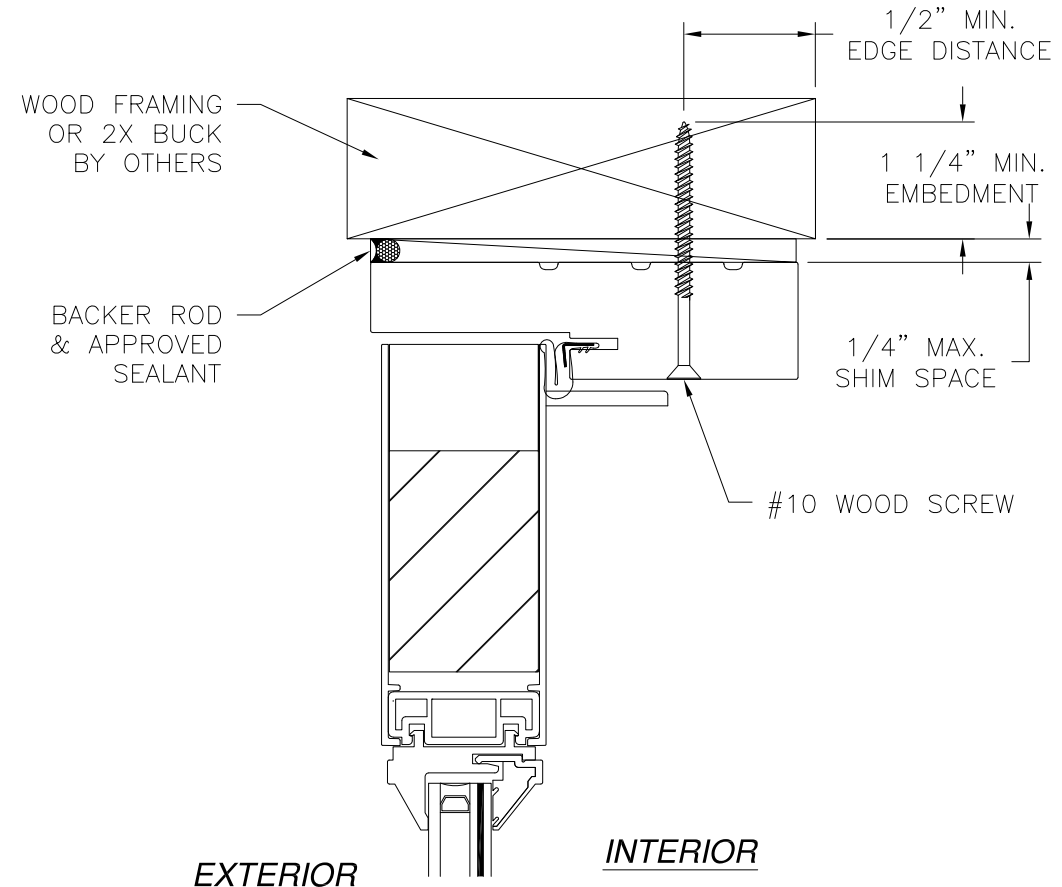
DRAWN: N.G.	DWG NO. 08-02791	REV B
SCALE NTS	DATE 09/01/15	SHEET 6 OF 12

L. ROBERTO LOMAS P.E.
1432 WOODFORD RD LEWISVILLE, NC 27023
434-688-0609 rllomas@rlomaspe.com



Luis R. Lomas P.E.
TX No.: 101889

REVISIONS			
REV	DESCRIPTION	DATE	APPROVED
B	UPDATED PER NEW CODES	09/30/2021	R.L.



DOOR INSTALLATION DETAIL
2X BUCK/WOOD FRAMING

- NOTES:**
1. INTERIOR AND EXTERIOR FINISHES, BY OTHERS, NOT SHOWN FOR CLARITY.
 2. PERIMETER AND JOINT SEALANT BY OTHERS TO BE DESIGNED IN ACCORDANCE WITH ASTM E2112

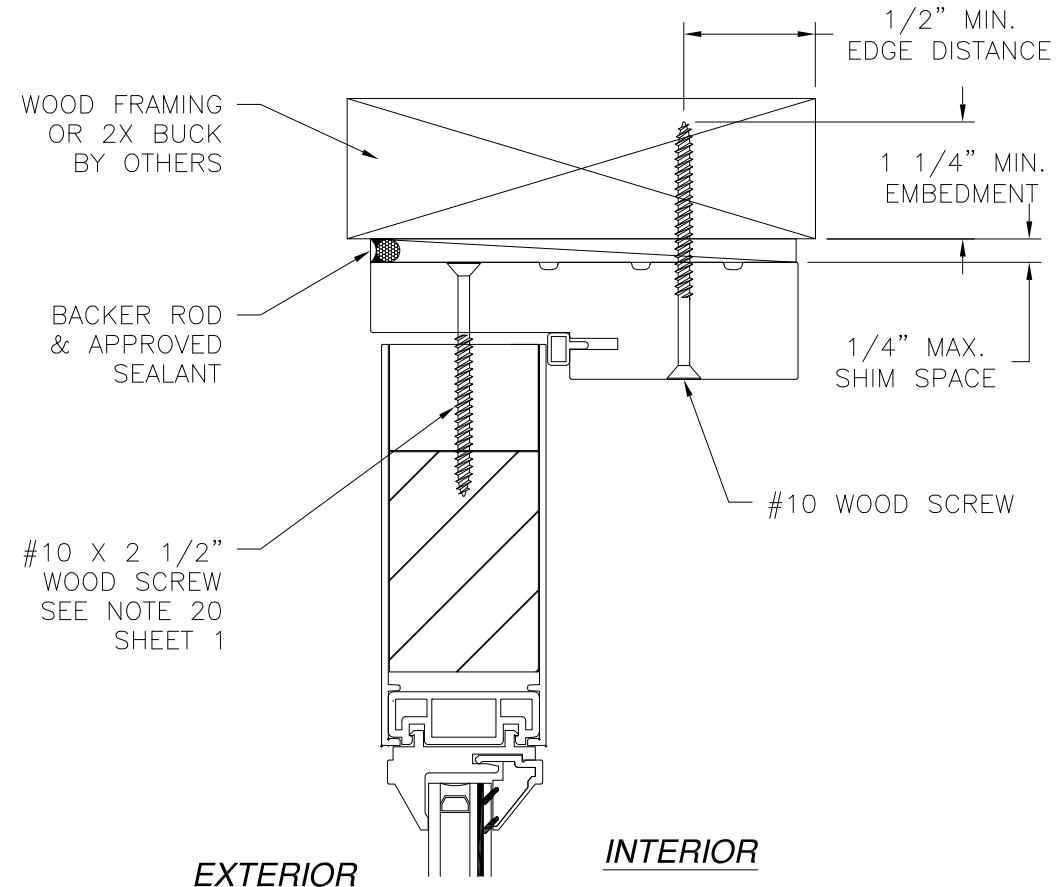
SIGNED: 09/30/2021

<p>NAN YA PLASTICS CORP. USA 8989 NORTH LOOP EAST HOUSTON, TX 77029</p>		
<p>SERIES SLPS OUT-SWING GLAZED FIBERGLASS SIDE HINGED PATIO DOOR 6'11 IMPACT DOOR INSTALLATION DETAILS</p>		
DRAWN: N.G.	DWG NO. 08-02791	REV B
SCALE NTS	DATE 09/01/15	SHEET 7 OF 12
<p>L. ROBERTO LOMAS P.E. 1432 WOODFORD RD LEWISVILLE, NC 27023 434-688-0609 rllomas@rlomaspe.com</p>		

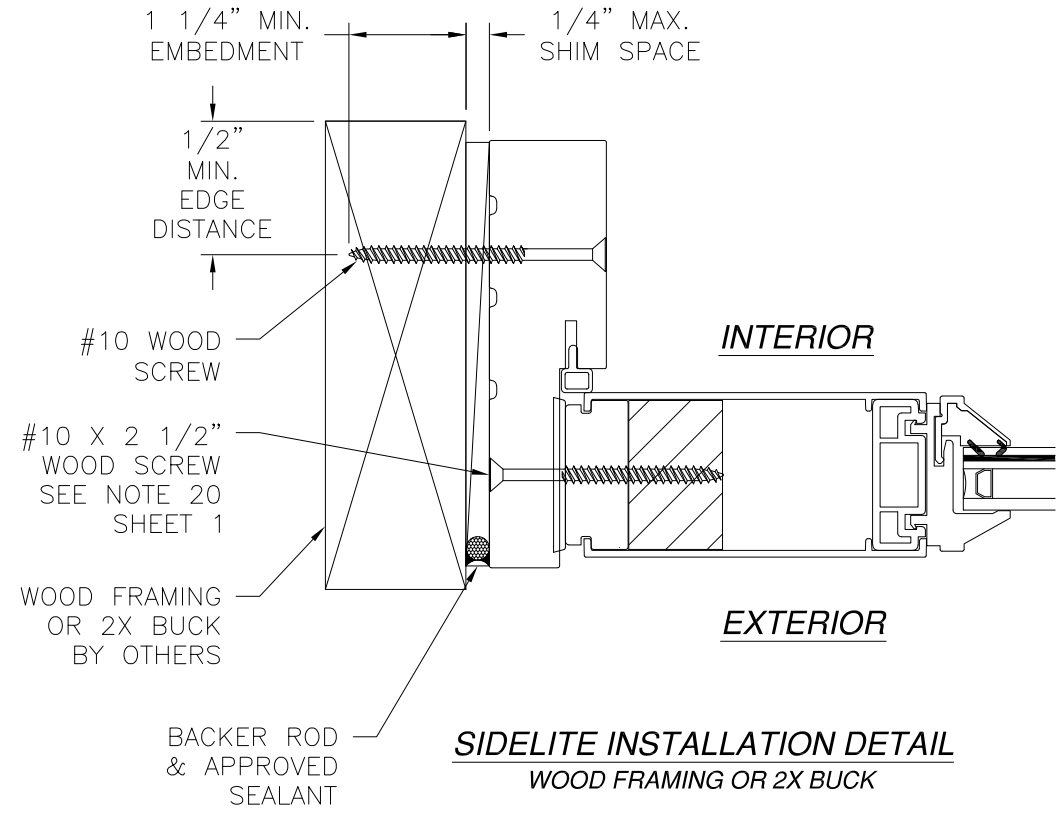


Luis R. Lomas P.E.
TX No.: 101889

REVISIONS			
REV	DESCRIPTION	DATE	APPROVED
B	UPDATED PER NEW CODES	09/30/2021	R.L.



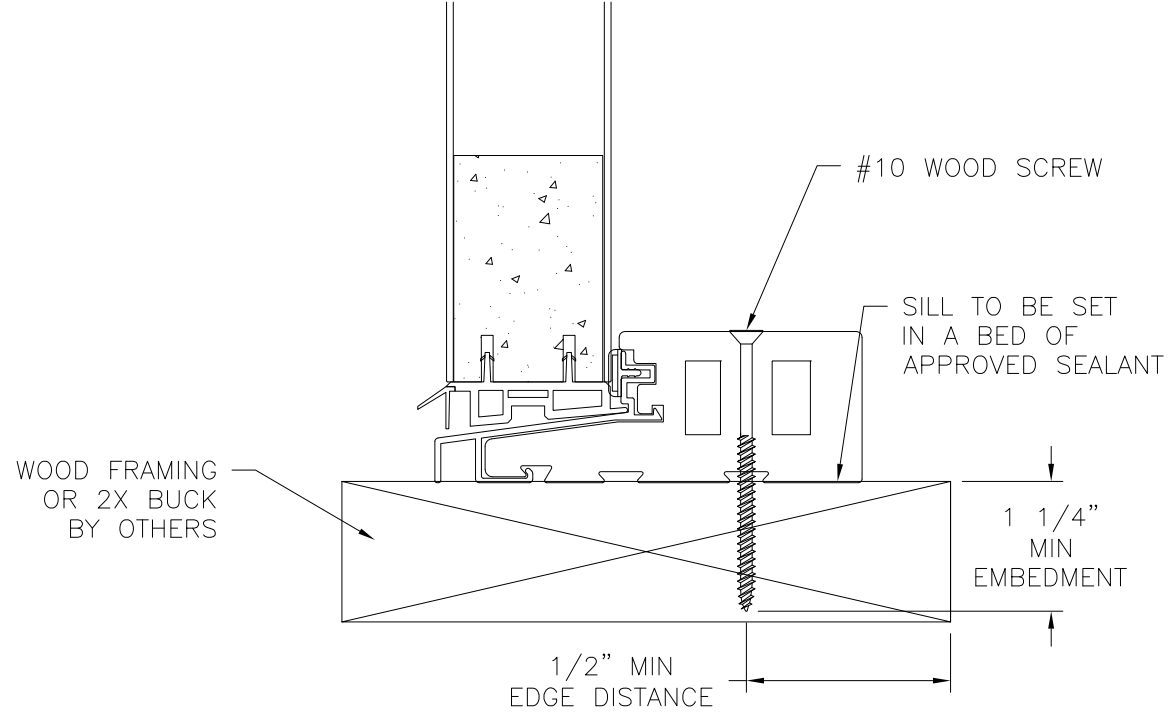
EXTERIOR **INTERIOR**



INTERIOR

EXTERIOR

SIDELITE INSTALLATION DETAIL
WOOD FRAMING OR 2X BUCK



SIDELITE DOOR INSTALLATION DETAIL
2X BUCK/WOOD FRAMING

- NOTES:**
1. **INTERIOR AND EXTERIOR FINISHES, BY OTHERS, NOT SHOWN FOR CLARITY.**
 2. **PERIMETER AND JOINT SEALANT BY OTHERS TO BE DESIGNED IN ACCORDANCE WITH ASTM E2112**

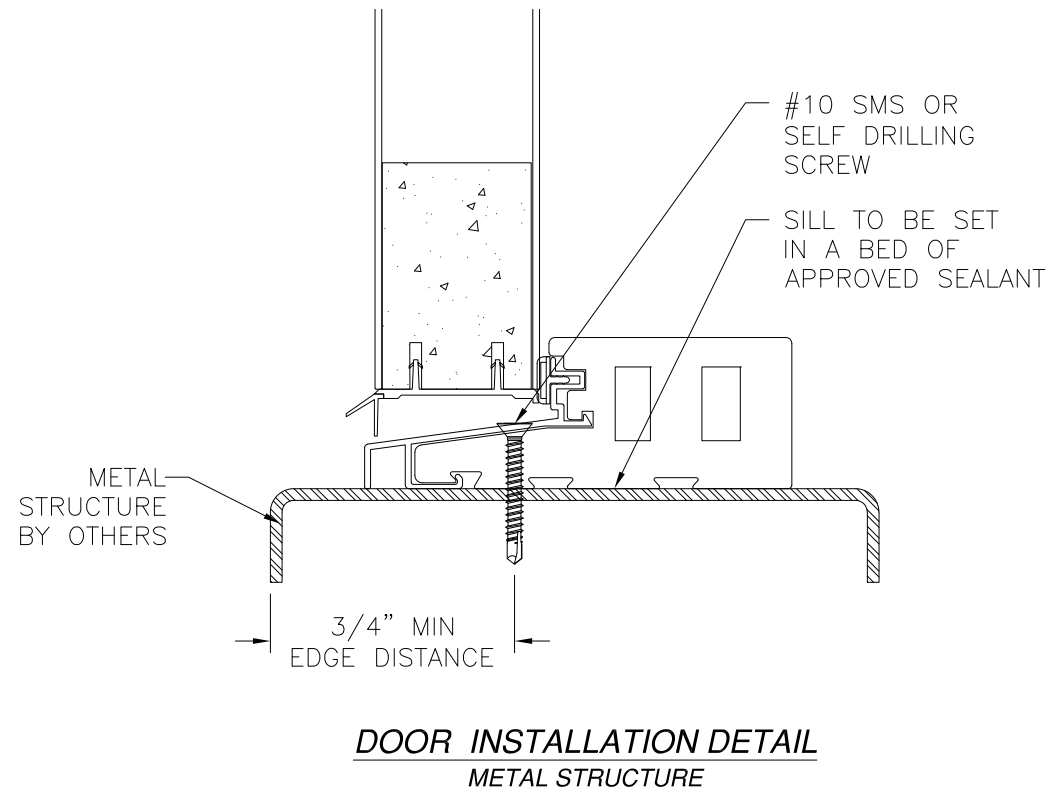
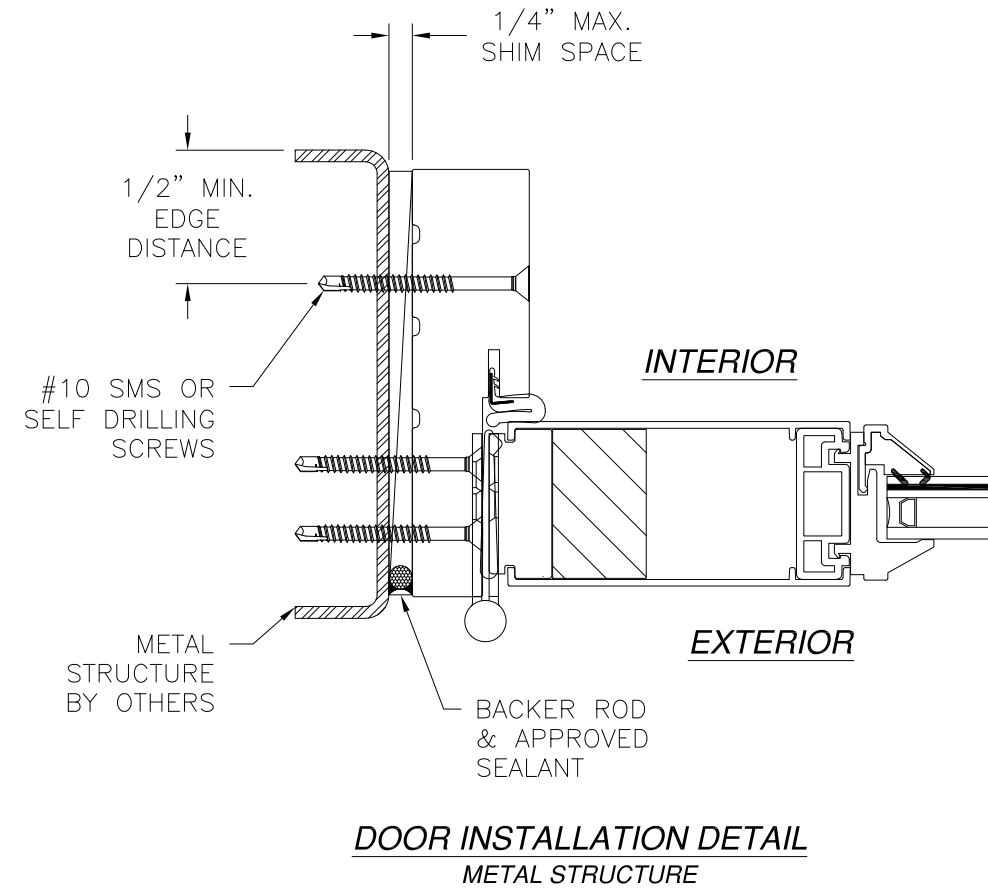
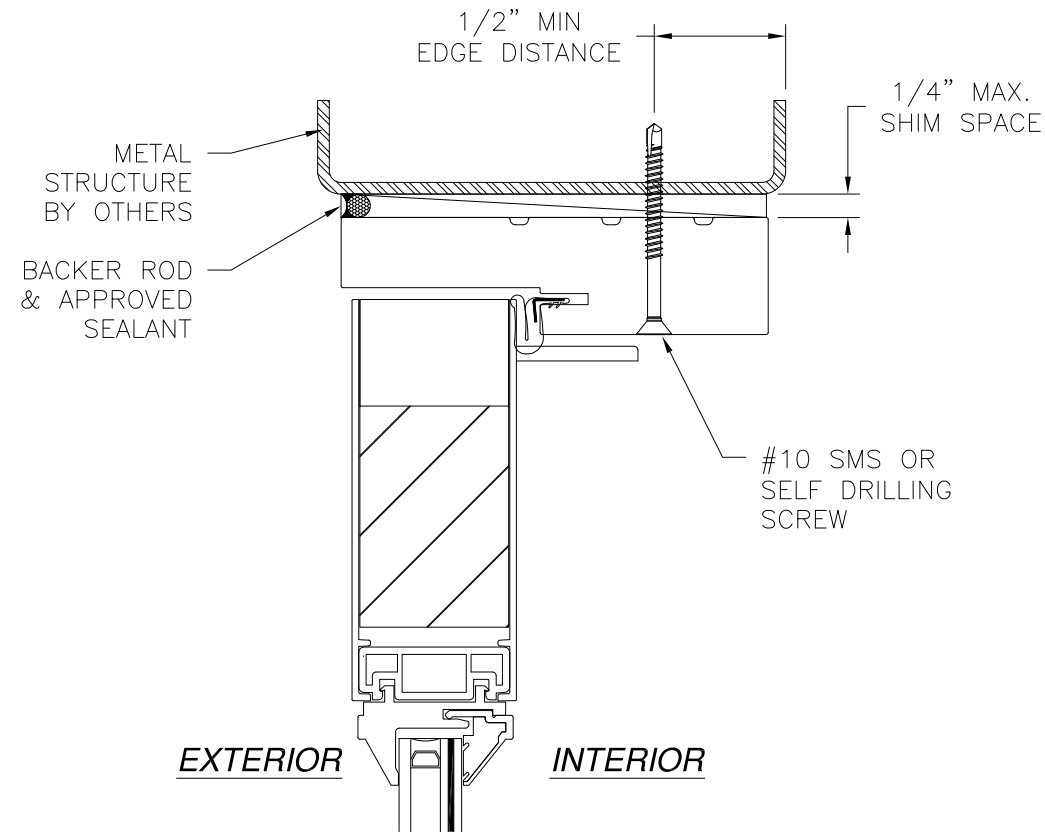
SIGNED: 09/30/2021

<p>NAN YA PLASTICS CORP. USA 8989 NORTH LOOP EAST HOUSTON, TX 77029</p>		
<p>SERIES SLPS OUT-SWING GLAZED FIBERGLASS SIDE HINGED PATIO DOOR 6'11 IMPACT SIDELITE INSTALLATION DETAILS</p>		
<p>DRAWN: N.G.</p>	<p>DWG NO. 08-02791</p>	<p>REV B</p>
<p>SCALE NTS</p>	<p>DATE 09/01/15</p>	<p>SHEET 8 OF 12</p>
<p>L. ROBERTO LOMAS P.E. 1432 WOODFORD RD LEWISVILLE, NC 27023 434-688-0609 rllomas@rlomaspe.com</p>		



Luis R. Lomas P.E.
TX No.: 101889

REVISIONS			
REV	DESCRIPTION	DATE	APPROVED
B	UPDATED PER NEW CODES	09/30/2021	R.L.



NOTES:

1. INTERIOR AND EXTERIOR FINISHES, BY OTHERS, NOT SHOWN FOR CLARITY.
2. PERIMETER AND JOINT SEALANT BY OTHERS TO BE DESIGNED IN ACCORDANCE WITH ASTM E2112

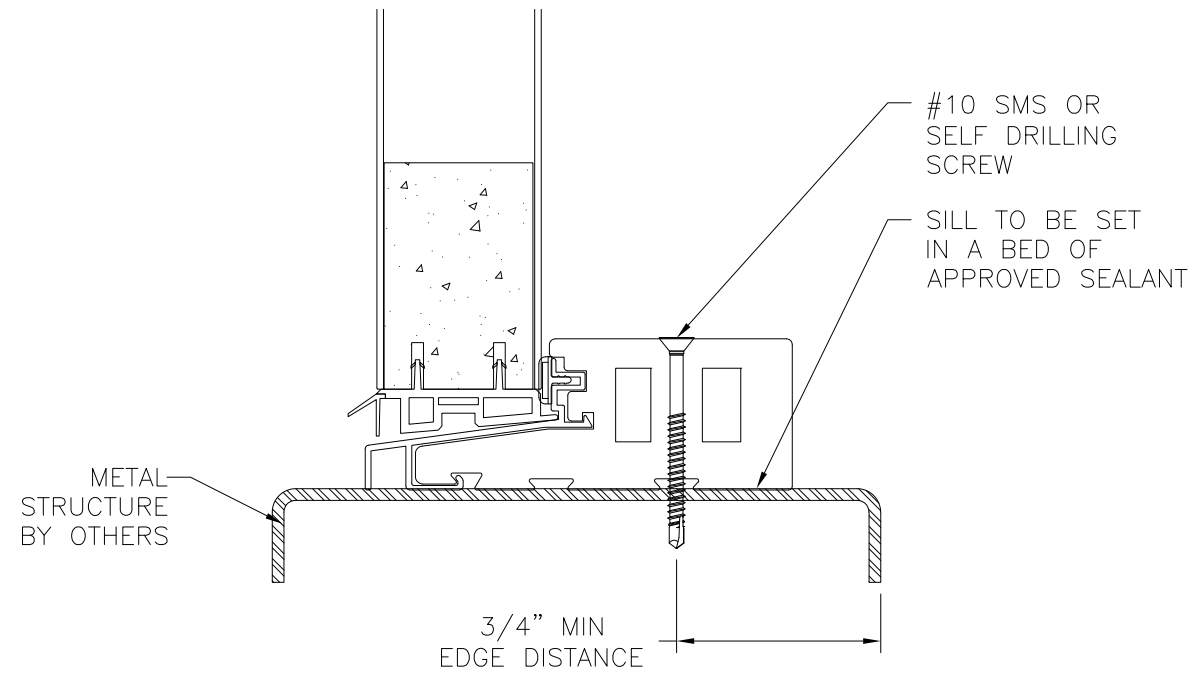
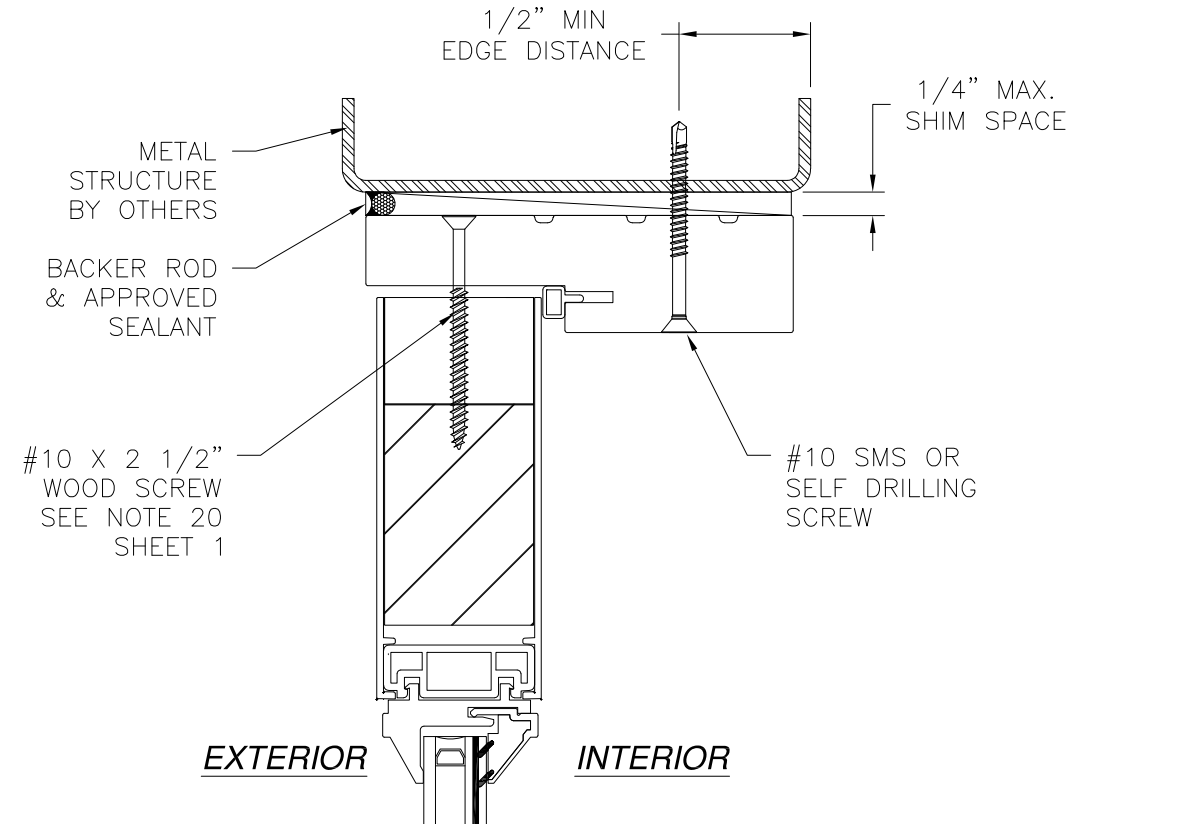
SIGNED: 09/30/2021

NAN YA PLASTICS CORP. USA 8989 NORTH LOOP EAST HOUSTON, TX 77029		
SERIES SLPS OUT-SWING GLAZED FIBERGLASS SIDE HINGED PATIO DOOR 6'11 IMPACT DOOR INSTALLATION DETAILS		
DRAWN: N.G.	DWG NO. 08-02791	REV B
SCALE NTS	DATE 09/01/15	SHEET 9 OF 12
L. ROBERTO LOMAS P.E. 1432 WOODFORD RD LEWISVILLE, NC 27023 434-688-0609 rllomas@lrlomaspe.com		

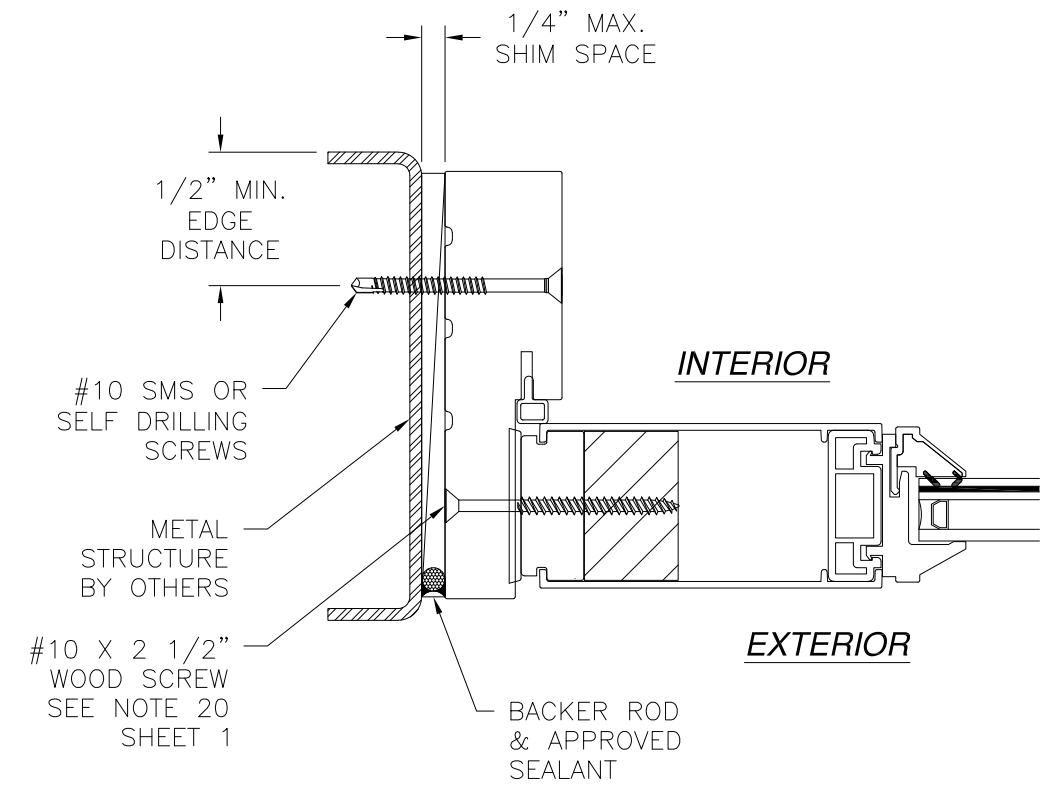


Luis R. Lomas P.E.
TX No.: 101889

REVISIONS			
REV	DESCRIPTION	DATE	APPROVED
B	UPDATED PER NEW CODES	09/30/2021	R.L.



SIDELITE INSTALLATION DETAIL
METAL STRUCTURE



SIDELITE INSTALLATION DETAIL
METAL STRUCTURE INSTALLATION

- NOTES:**
1. INTERIOR AND EXTERIOR FINISHES, BY OTHERS, NOT SHOWN FOR CLARITY.
 2. PERIMETER AND JOINT SEALANT BY OTHERS TO BE DESIGNED IN ACCORDANCE WITH ASTM E2112

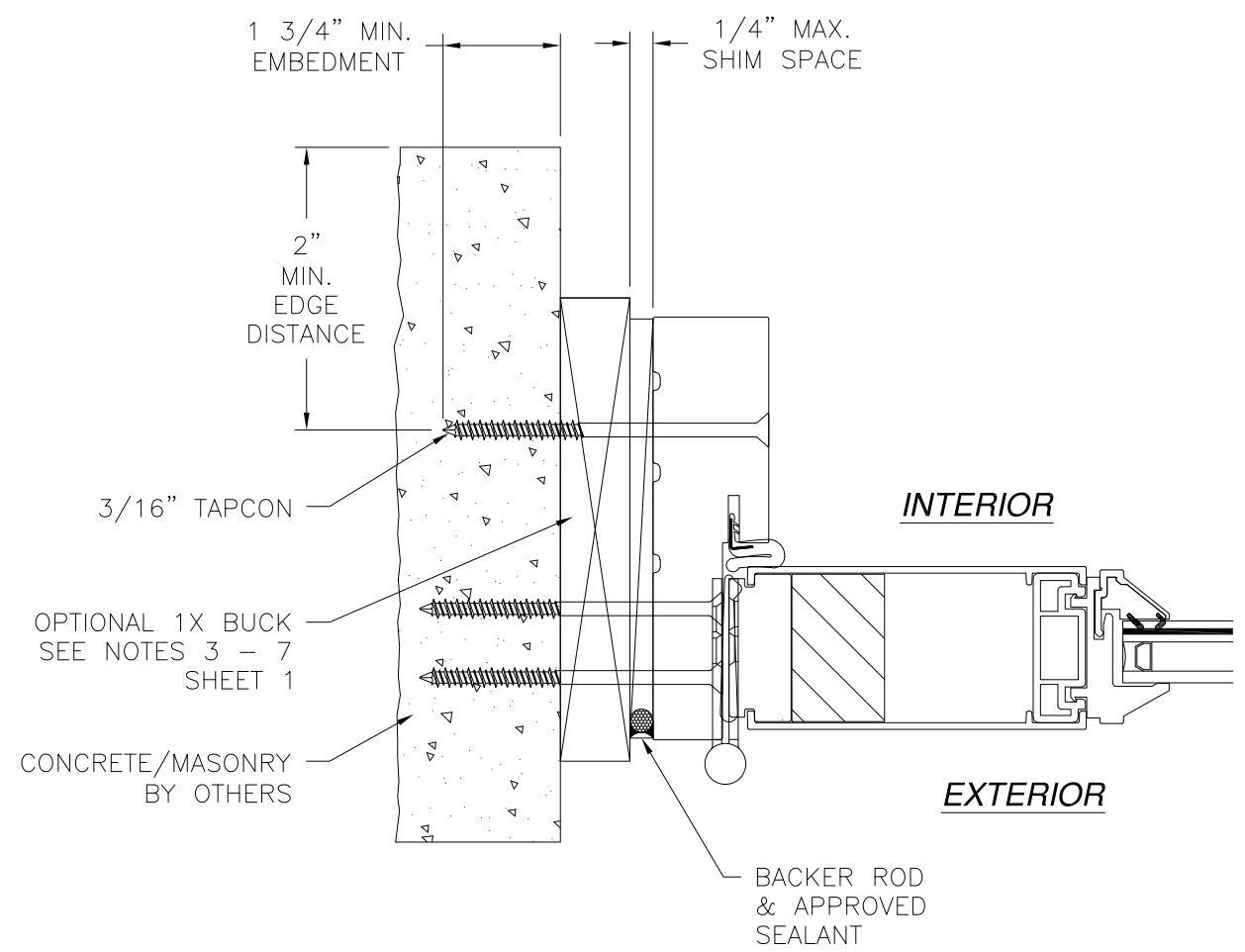
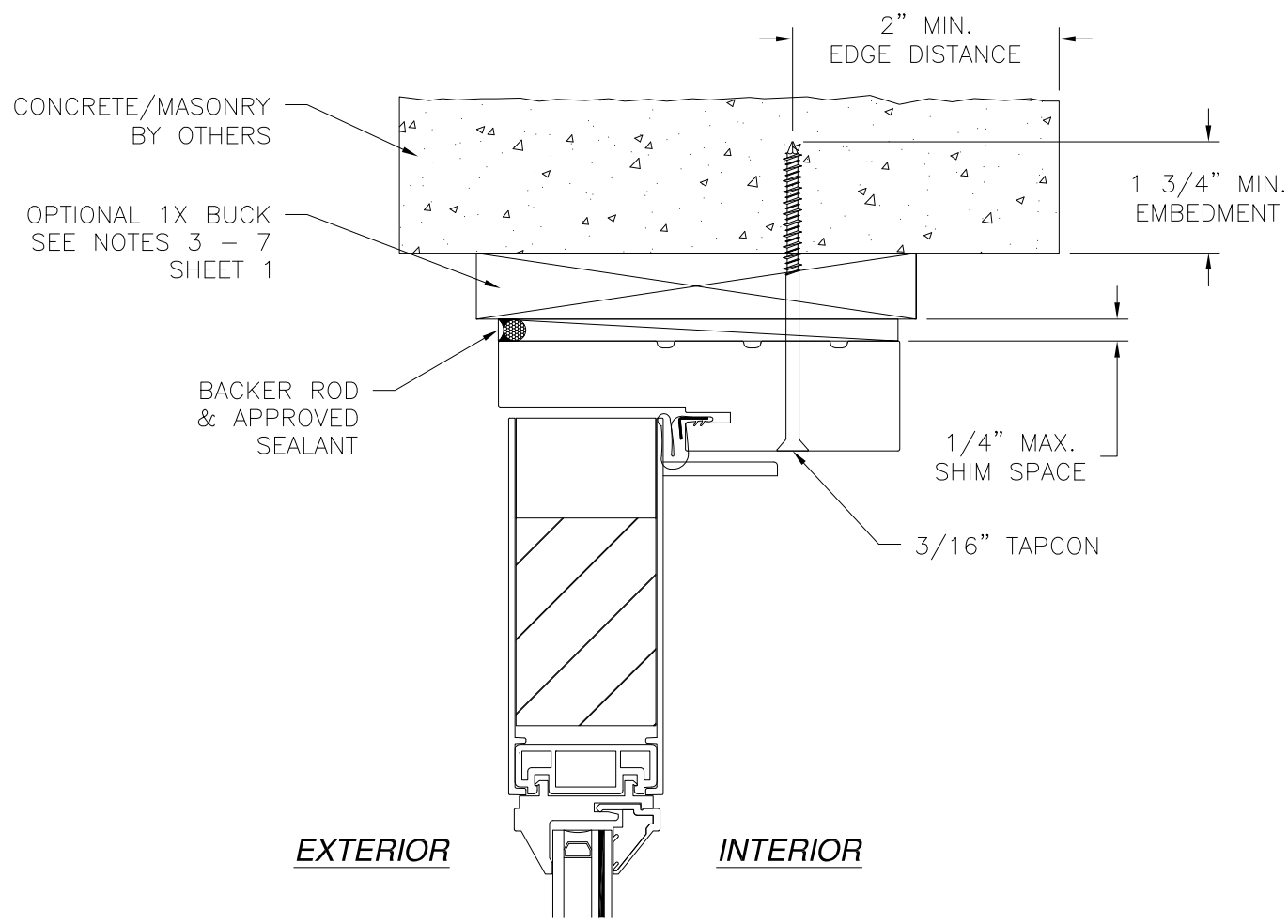
SIGNED: 09/30/2021

<p>NAN YA PLASTICS CORP. USA 8989 NORTH LOOP EAST HOUSTON, TX 77029</p>		
<p>SERIES SLPS OUT-SWING GLAZED FIBERGLASS SIDE HINGED PATIO DOOR 6'11 IMPACT SIDELITE INSTALLATION DETAILS</p>		
DRAWN: N.G.	DWG NO. 08-02791	REV B
SCALE NTS	DATE 09/01/15	SHEET 10 OF 12
<p>L. ROBERTO LOMAS P.E. 1432 WOODFORD RD LEWISVILLE, NC 27023 434-688-0609 rllomas@rlomaspe.com</p>		

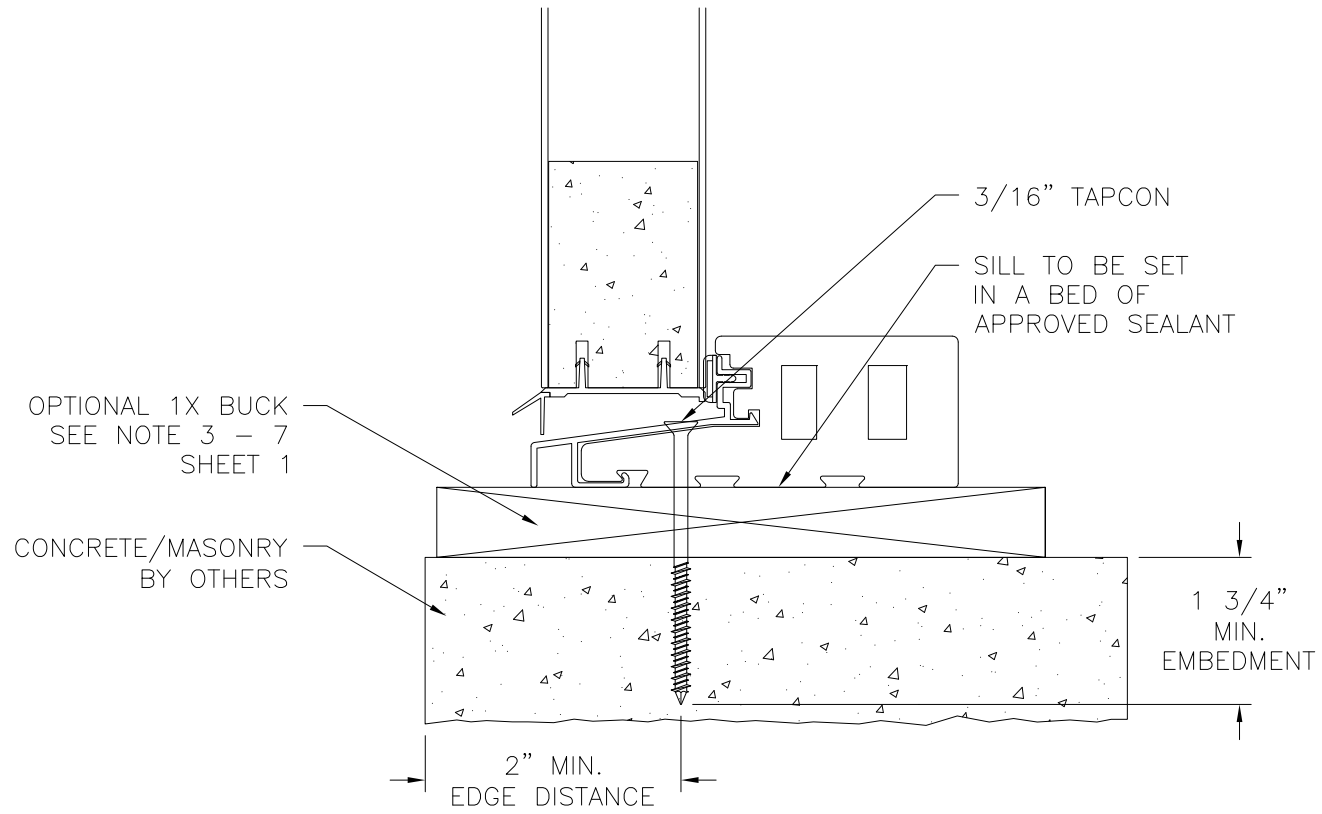


Luis R. Lomas P.E.
TX No.: 101889

REVISIONS			
REV	DESCRIPTION	DATE	APPROVED
B	UPDATED PER NEW CODES	09/30/2021	R.L.



DOOR INSTALLATION DETAIL
CONCRETE/MASONRY



DOOR INSTALLATION DETAIL
MASONRY/CONCRETE

- NOTES:**
1. INTERIOR AND EXTERIOR FINISHES, BY OTHERS, NOT SHOWN FOR CLARITY.
 2. PERIMETER AND JOINT SEALANT BY OTHERS TO BE DESIGNED IN ACCORDANCE WITH ASTM E2112

SIGNED: 09/30/2021

NAN YA PLASTICS CORP. USA
8989 NORTH LOOP EAST
HOUSTON, TX 77029

SERIES SLPS OUT-SWING GLAZED FIBERGLASS
SIDE HINGED PATIO DOOR 6'11 IMPACT
DOOR INSTALLATION DETAILS

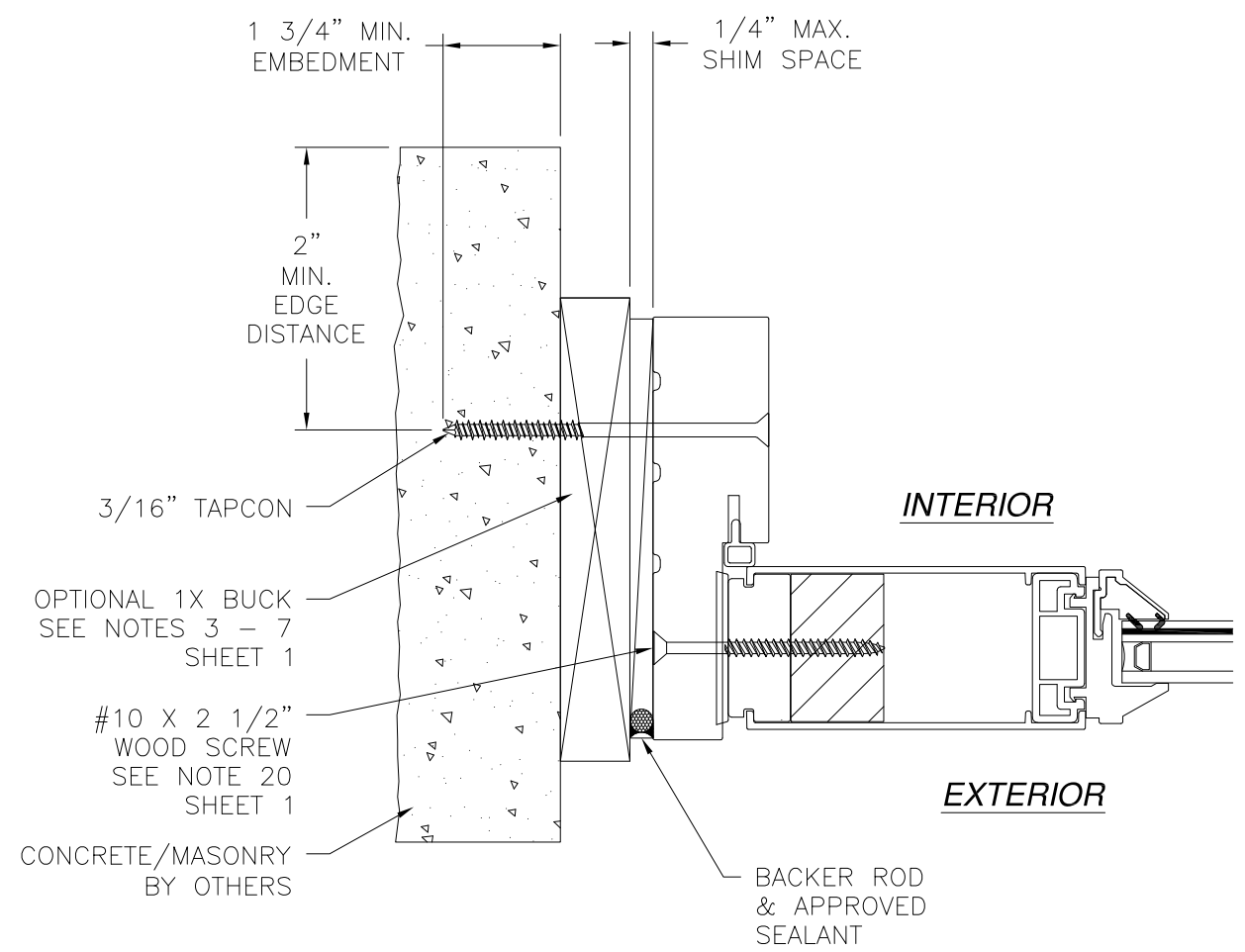
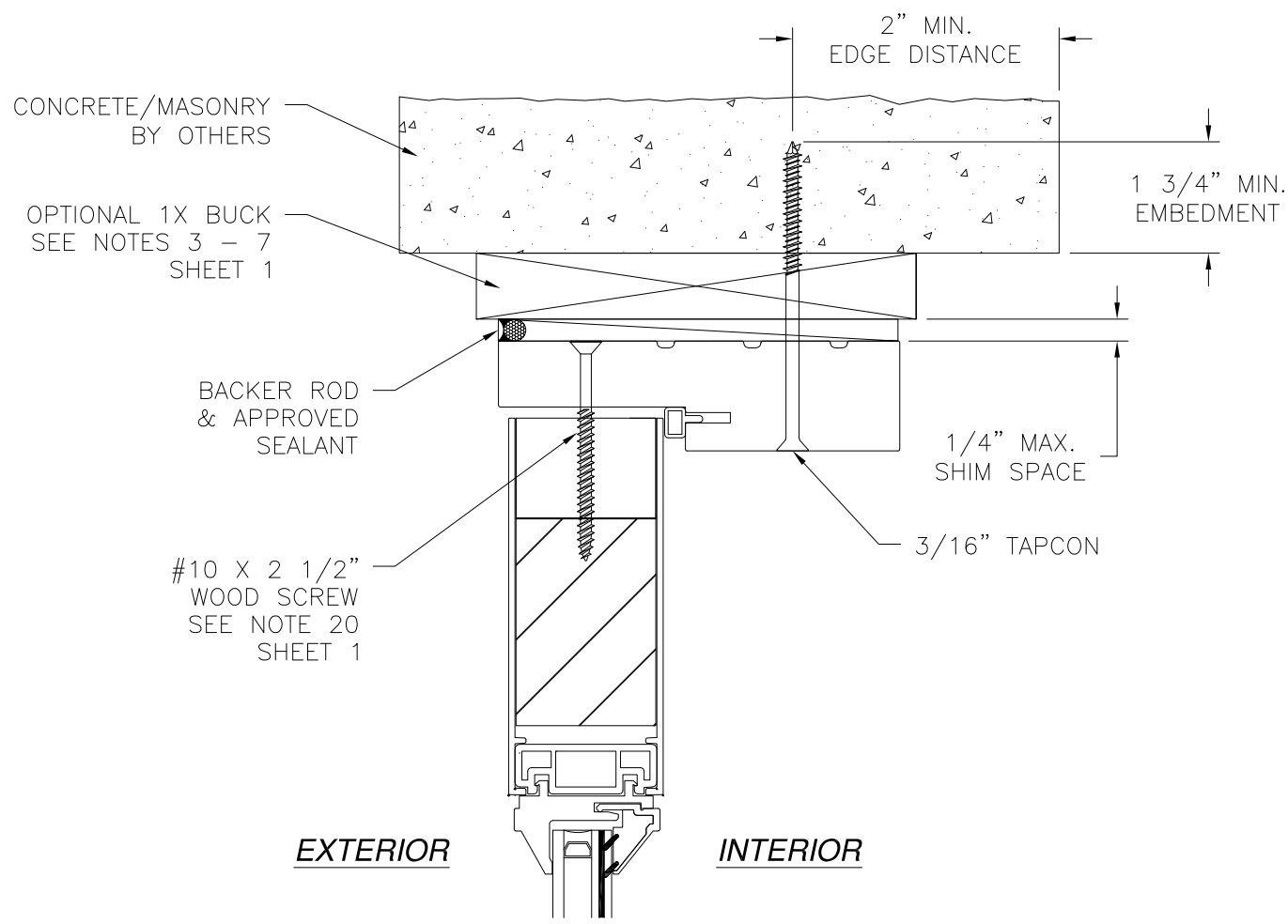
DRAWN: N.G.	DWG NO. 08-02791	REV B
SCALE NTS	DATE 09/01/15	SHEET 11 OF 12

L. ROBERTO LOMAS P.E.
1432 WOODFORD RD LEWISVILLE, NC 27023
434-688-0609 rllomas@rlomaspe.com



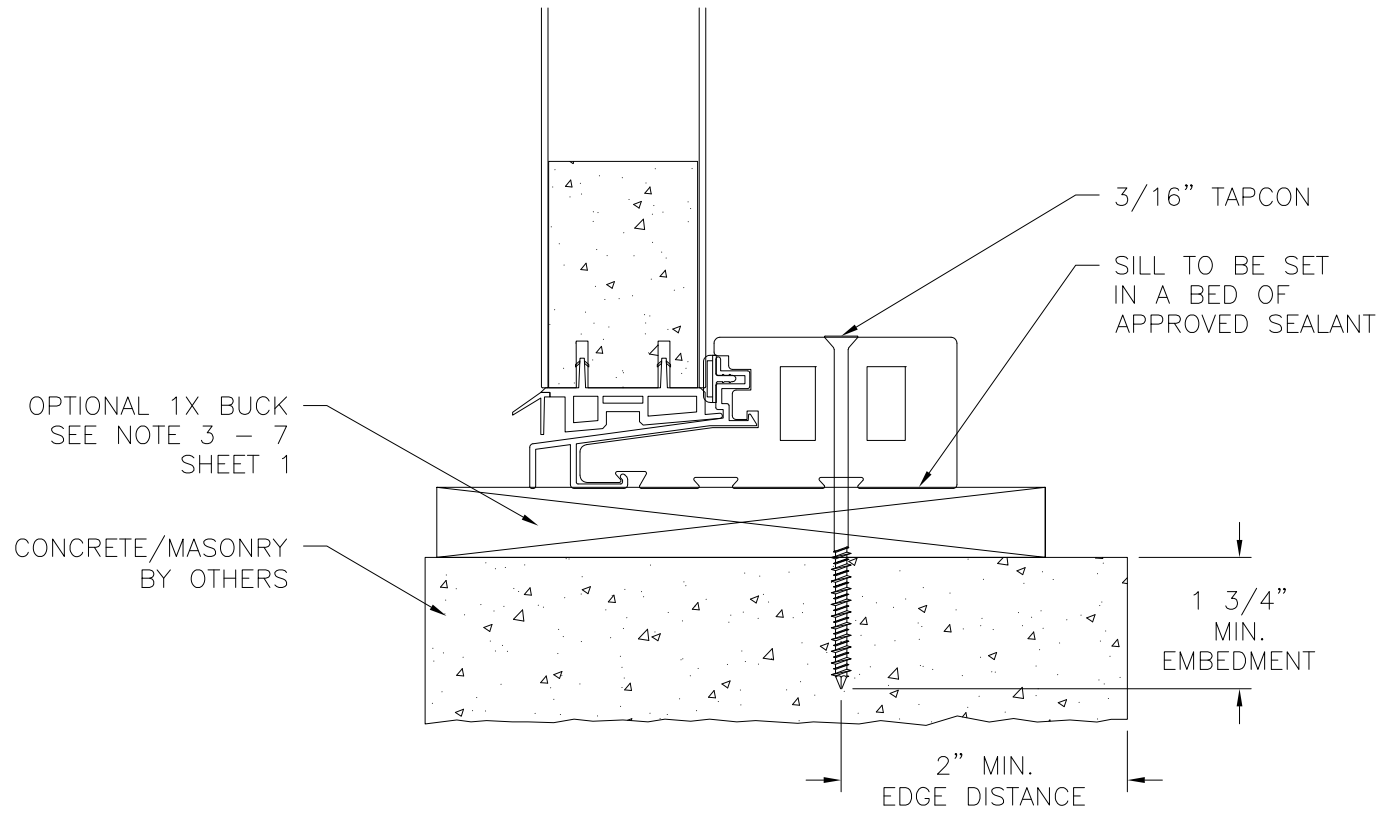
Luis R. Lomas P.E.
TX No.: 101889

REVISIONS			
REV	DESCRIPTION	DATE	APPROVED
B	UPDATED PER NEW CODES	09/30/2021	R.L.



SIDELITE INSTALLATION DETAIL
CONCRETE/MASONRY

- NOTES:**
1. INTERIOR AND EXTERIOR FINISHES, BY OTHERS, NOT SHOWN FOR CLARITY.
 2. PERIMETER AND JOINT SEALANT BY OTHERS TO BE DESIGNED IN ACCORDANCE WITH ASTM E2112



SIDELITE INSTALLATION DETAIL
MASONRY/CONCRETE

SIGNED: 09/30/2021

NAN YA PLASTICS CORP. USA
8989 NORTH LOOP EAST
HOUSTON, TX 77029

SERIES SLPS OUT-SWING GLAZED FIBERGLASS
SIDE HINGED PATIO DOOR 6'11 IMPACT
SIDELITE INSTALLATION DETAILS

DRAWN: N.G.	DWG NO. 08-02791	REV B
SCALE NTS	DATE 09/01/15	SHEET 12 OF 12

L. ROBERTO LOMAS P.E.
1432 WOODFORD RD LEWISVILLE, NC 27023
434-688-0609 rllomas@rlomaspe.com



Luis R. Lomas P.E.
TX No.: 101889