

FLUSH GLAZED FIBERGLASS DOOR

INSWING/OUTSWING

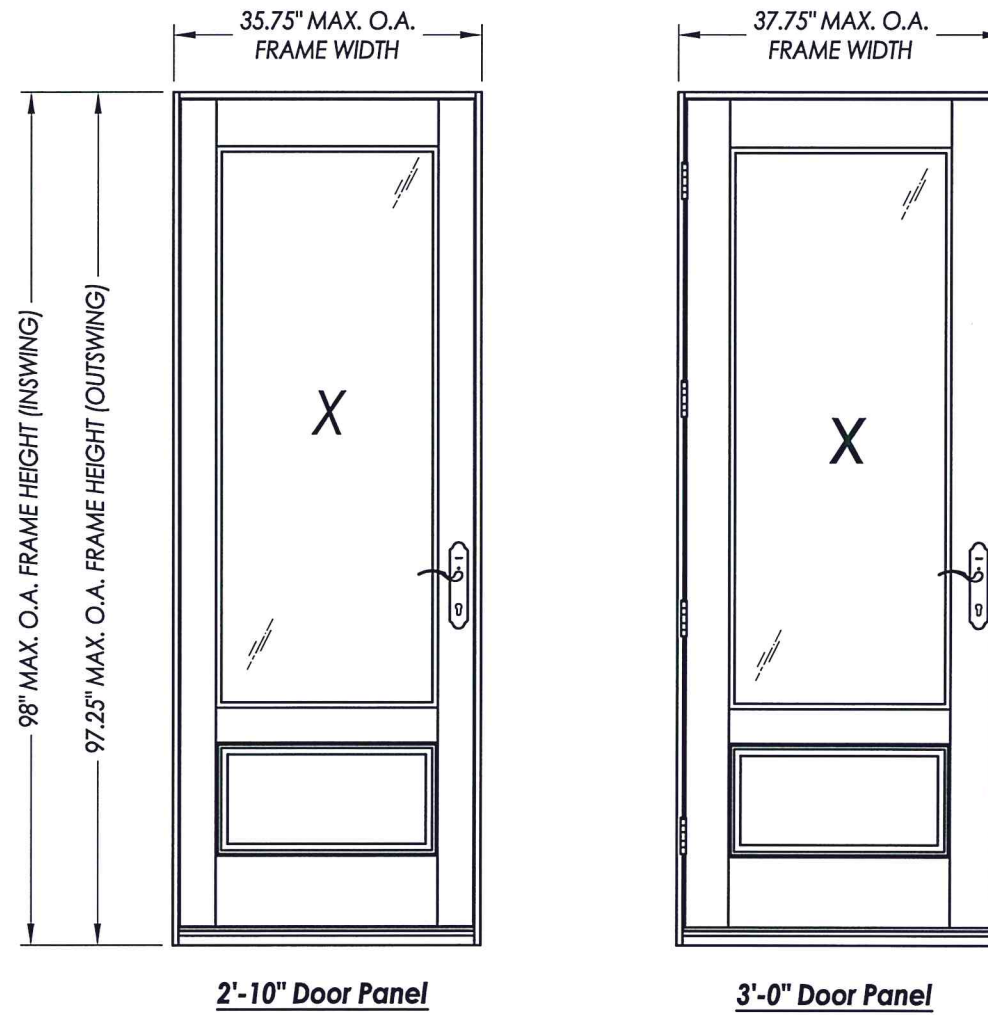
"NON-IMPACT"

EVALUATED FOR USE IN THE STATE OF TEXAS

The Fiberglass Door described herein complies with the 2006 International Residential Code (IRC), Sections R301 & R613 and the 2006 International Building Code (IBC), Sections 1405.12, 1609, 1714.5, 2403 and 2404 (including Texas revisions) subject to the following conditions:

1. Anchors shall be as listed and spaced as shown in the details. Anchor embedment to base material shall be beyond wall dressing or stucco.
2. When used in areas requiring wind-borne debris protection this product is required to be protected with an impact resistant covering that complies with Section R301.2.1.2 of the IRC and Section 1609.1.2 of the IBC.
3. Allowable design pressure requirements must be equal to or less than the design pressure rating shown in the design pressure chart, sheet 1 of this drawing.
4. Conditions not covered by this drawing are subject to further engineering analysis.

TABLE OF CONTENTS	
SHEET #	DESCRIPTION
1	Table of contents, design pressure and general notes
2	Door panel details & glazing detail
3	Horizontal cross sections
4	Vertical cross sections
5	Frame anchoring & hardware details
6	Bill of materials and components



DOOR PANEL WIDTH	MAX FRAME DIMENSION	DESIGN PRESSURE (PSF) INSWING		DESIGN PRESSURE (PSF) OUTSWING	
		POSITIVE	NEGATIVE	POSITIVE	NEGATIVE
2'-10"	35.75" X 98.0"	+60.0	-65.0	+40.0	-40.0
3'-0"	37.75" X 98.0"	+55.0	-60.0	+40.0	-40.0



Documents Prepared By: Lyndon F. Schmidt, P.E.
TEXAS P.E. #104123

RW BUILDING CONSULTANTS, INC.
P.O. Box 230 Vairico FL 33595
Phone No.: 813.659.9197

TEXAS BOARD OF PROFESSIONAL ENGINEERS
CERTIFICATE OF REGISTRATION # F-11852

PRODUCT: THERMA-TRU
FLUSH GLAZED DOOR

PART OR ASSEMBLY:
TYPICAL ELEVATION, DESIGN
PRESSURES & GENERAL NOTES

NO.	DATE	BY	REVISIONS

DATE: 7/28/15

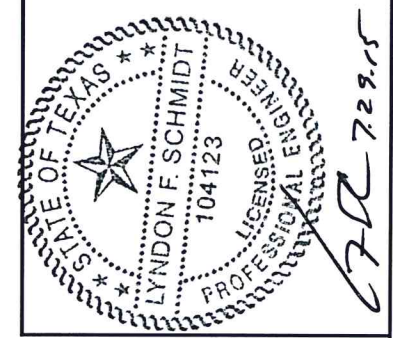
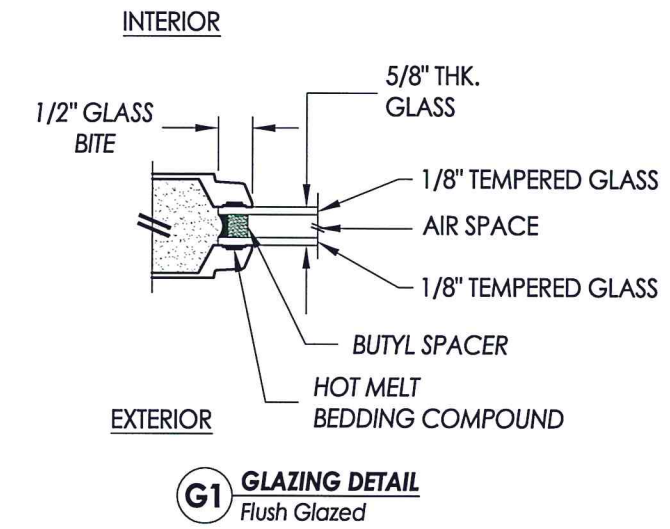
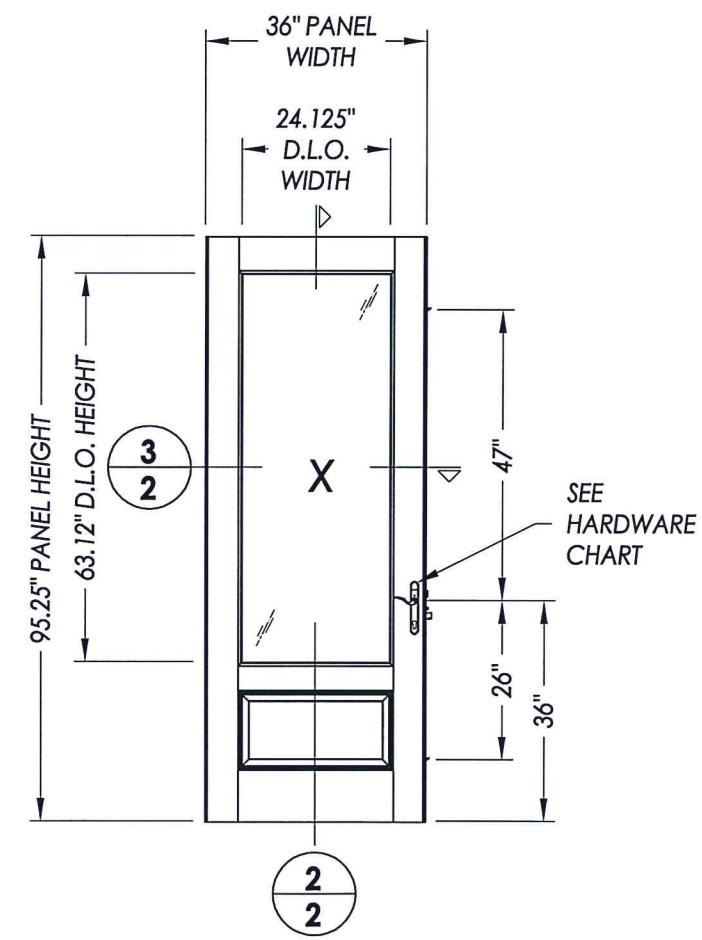
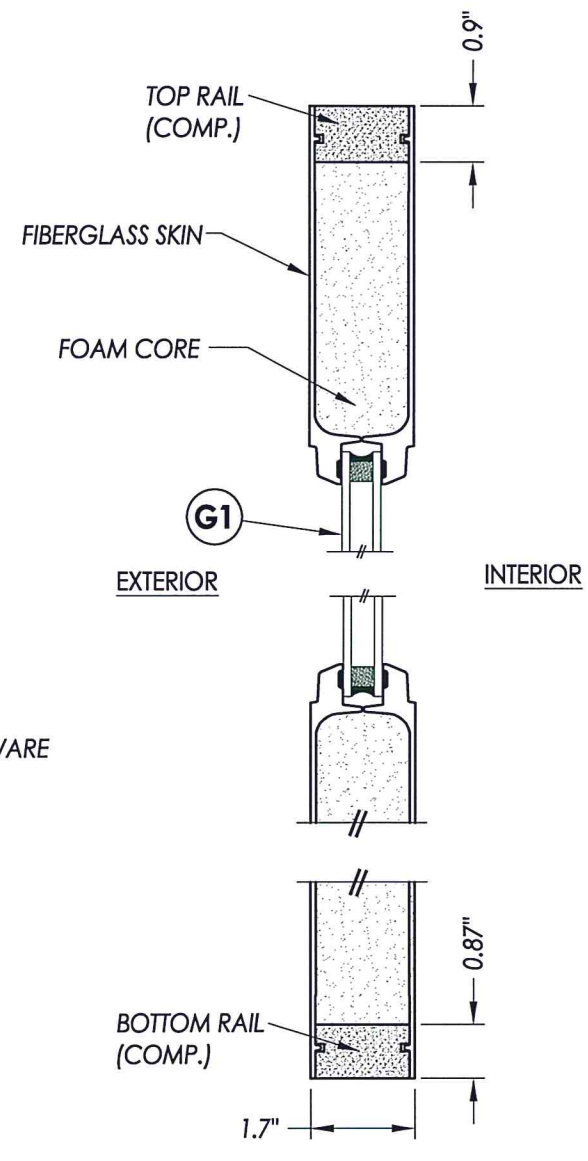
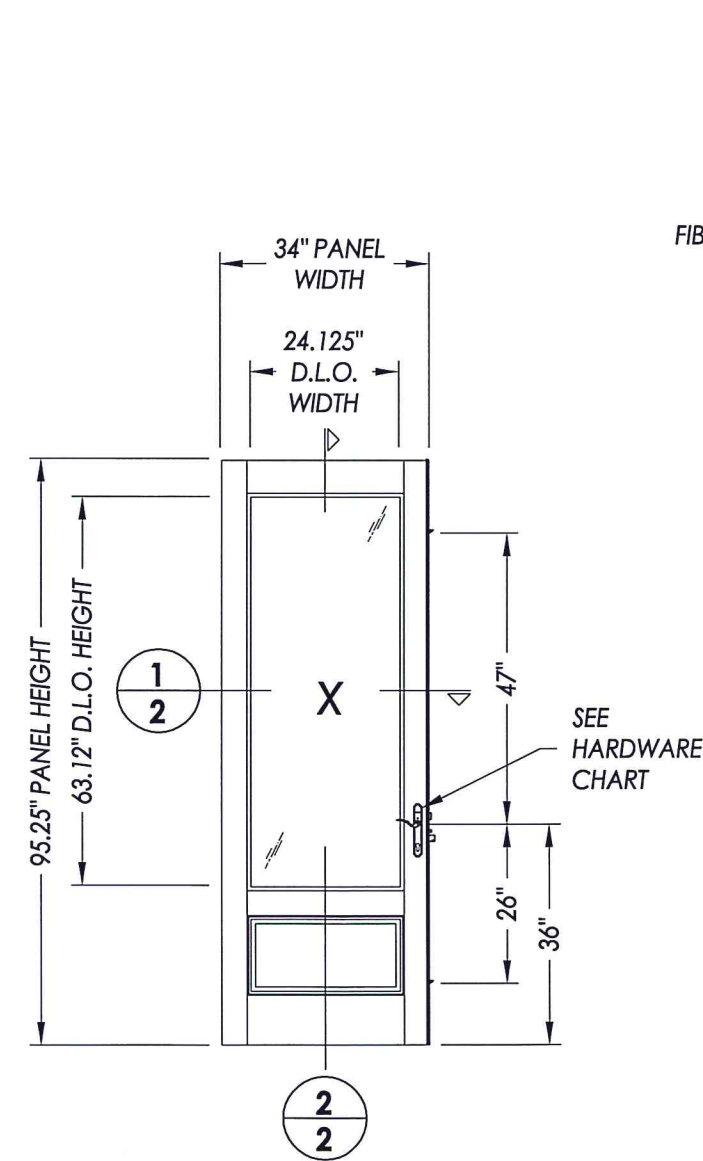
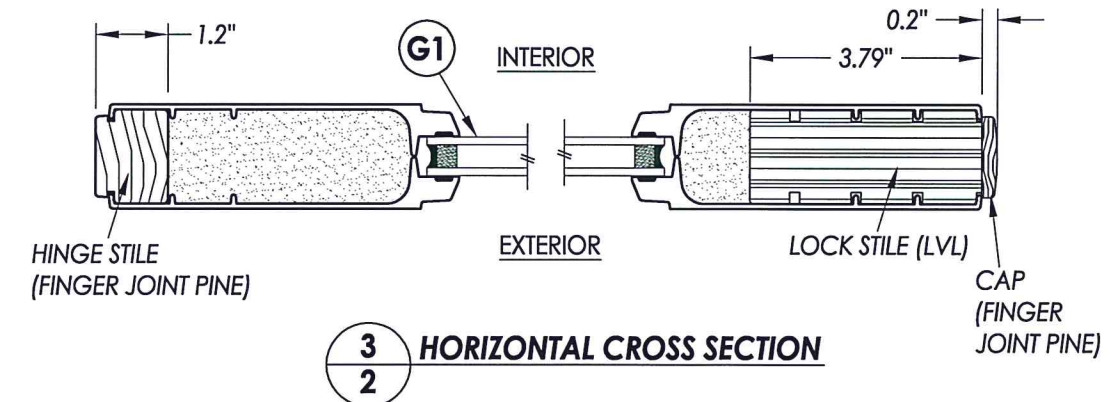
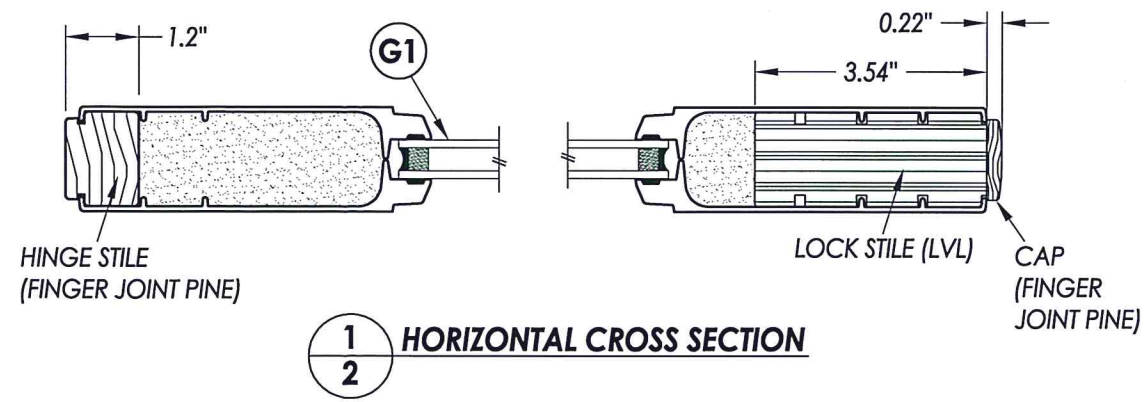
SCALE: N.T.S.

DWG. BY: JK

CHK. BY: LFS

DRAWING NO.: TX-4560

SHEET 1 OF 6



Documents Prepared By: Lyndon F. Schmidt, P.E.
 TEXAS P.E. #104123

RW BUILDING CONSULTANTS, INC.
 P.O. Box 230 Valrico FL 33595
 Phone No.: 813.659.9197

TEXAS BOARD OF PROFESSIONAL ENGINEERS
 CERTIFICATE OF REGISTRATION # F-11852

PRODUCT: THERMA-TRU
 FLUSH GLAZED DOOR

PART OR ASSEMBLY:
 DOOR PANEL DETAILS &
 GLAZING DETAIL

NO.	DATE	BY	REVISIONS

HARDWARE TABLE	
MANUFACTURER	MODEL
Therma-Tru	MULTI POINT LOCK: MPDGART

DATE: 7/28/15

SCALE: N.T.S.

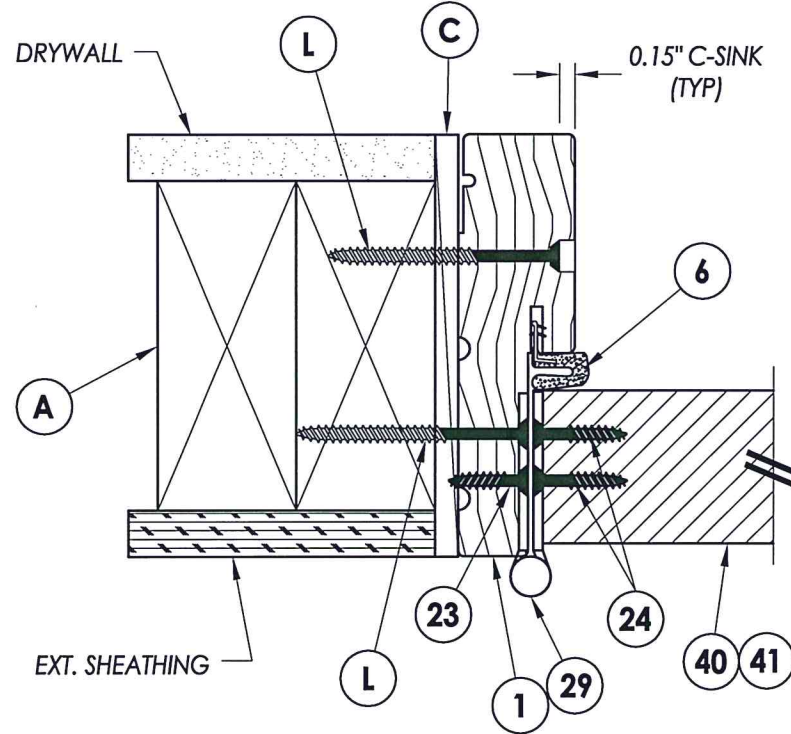
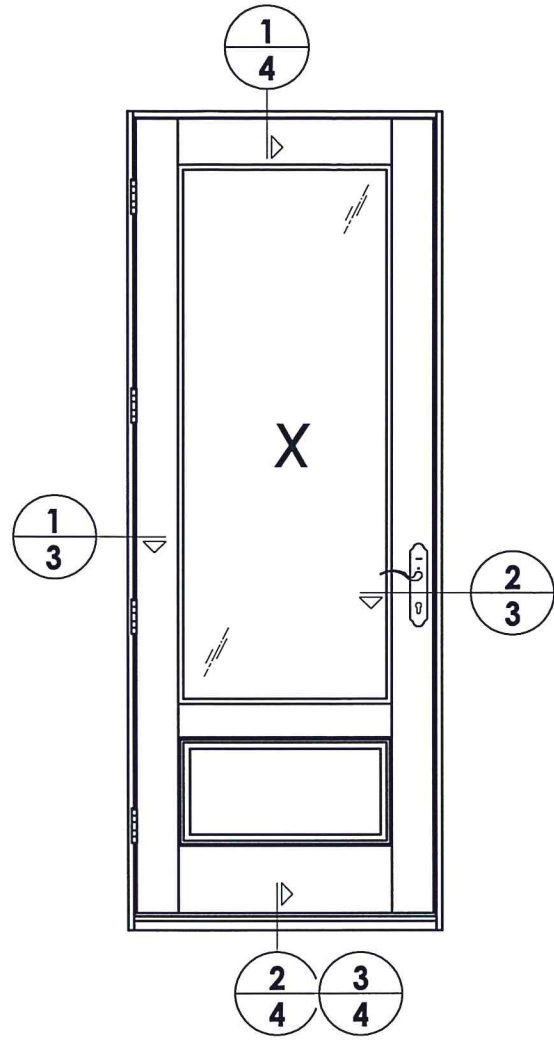
DWG. BY: JK

CHK. BY: LFS

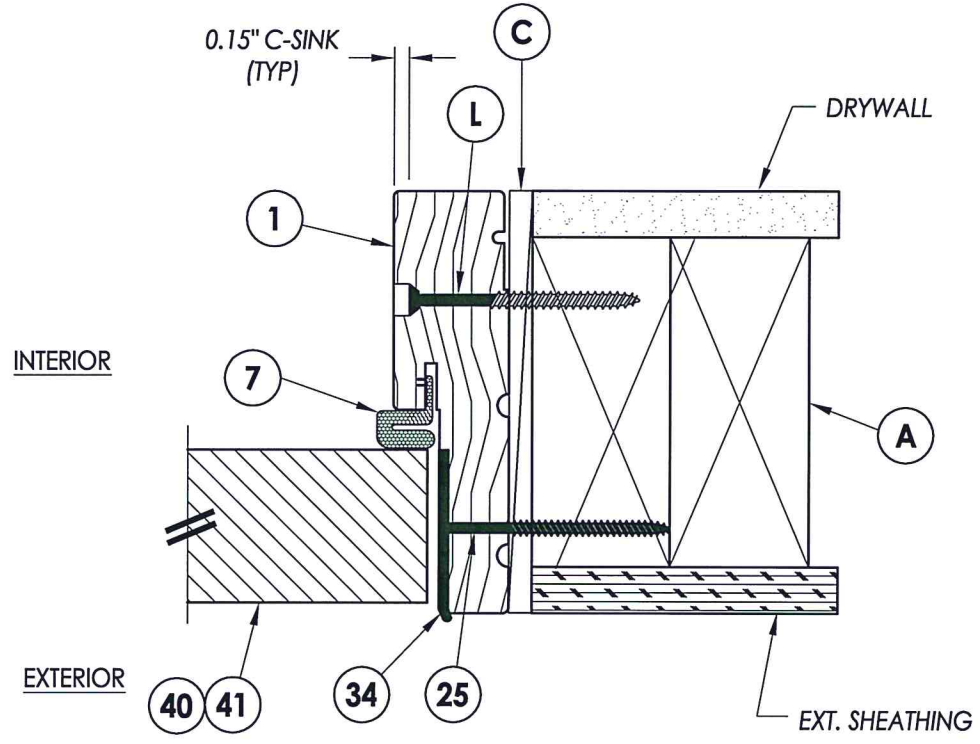
DRAWING NO.: TX-4560

SHEET 2 OF 6

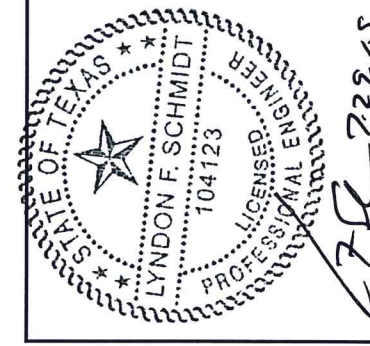
R:\Clients\Therma Tru PERMANENT\B - Texas Dept of Ins\TDI - DR XXX Flush Glazed Doors\C - Drawings\Current\TX-4560-62.dwg, 3.1



1 HORIZONTAL CROSS SECTION
3 Outswing Shown (Inswing similar)



2 HORIZONTAL CROSS SECTION
3 Outswing Shown (Inswing similar)



Documents Prepared By: Lyndon F. Schmidt, P.E.
 TEXAS P.E. #104123

RW BUILDING CONSULTANTS, INC.
 P.O. Box 230 Vailico FL 33595
 Phone No.: 813.659.9197

TEXAS BOARD OF PROFESSIONAL ENGINEERS
 CERTIFICATE OF REGISTRATION # F-11852

PRODUCT:
 THERMA-TRU
 FLUSH GLAZED DOOR

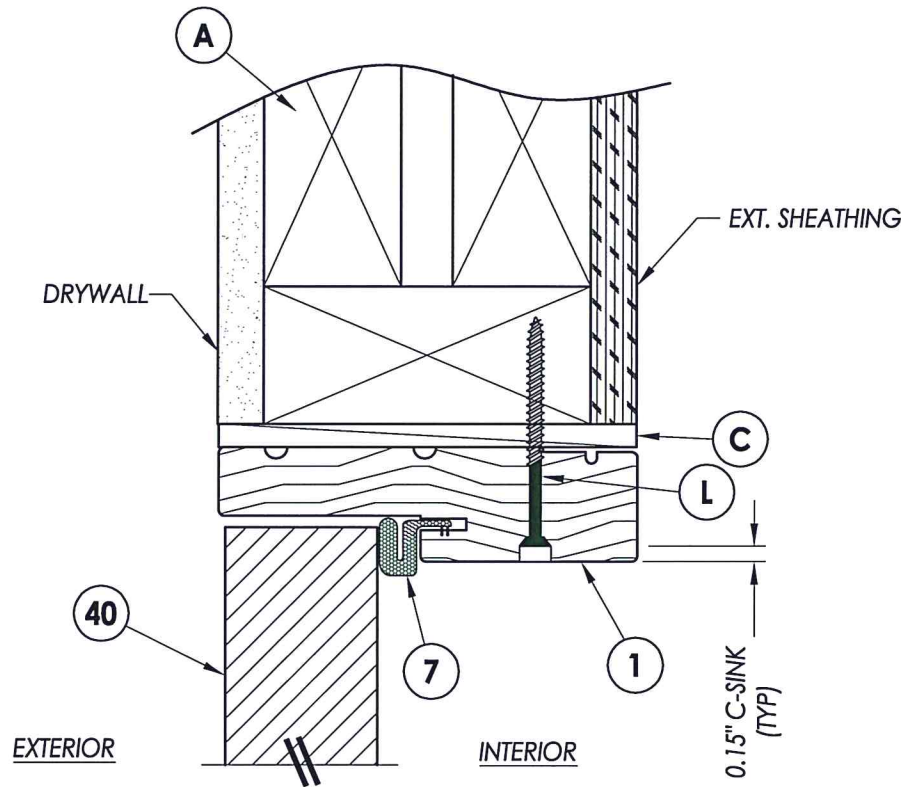
PART OR ASSEMBLY:
 HORIZONTAL
 CROSS SECTIONS

NO.	DATE	BY

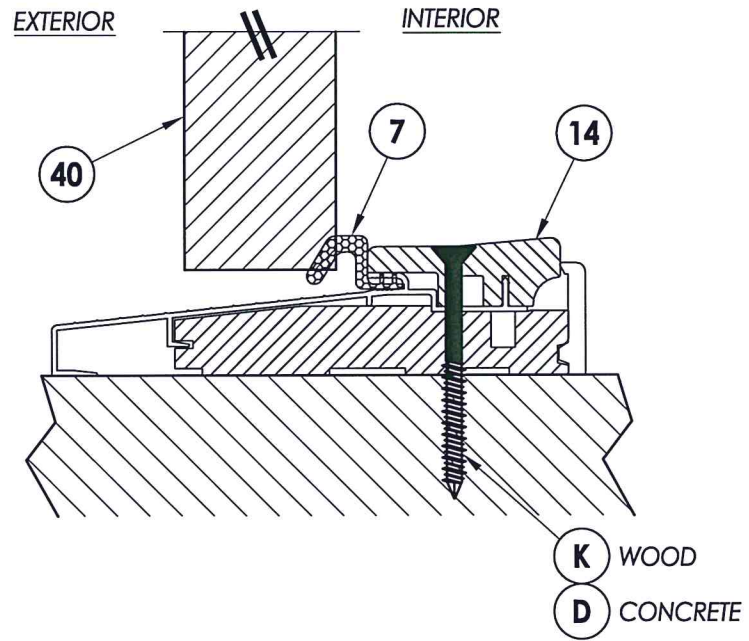
REVISIONS

DATE: 7/28/15
 SCALE: N.T.S.
 DWG. BY: JK
 CHK. BY: LFS
 DRAWING NO.: TX-4560

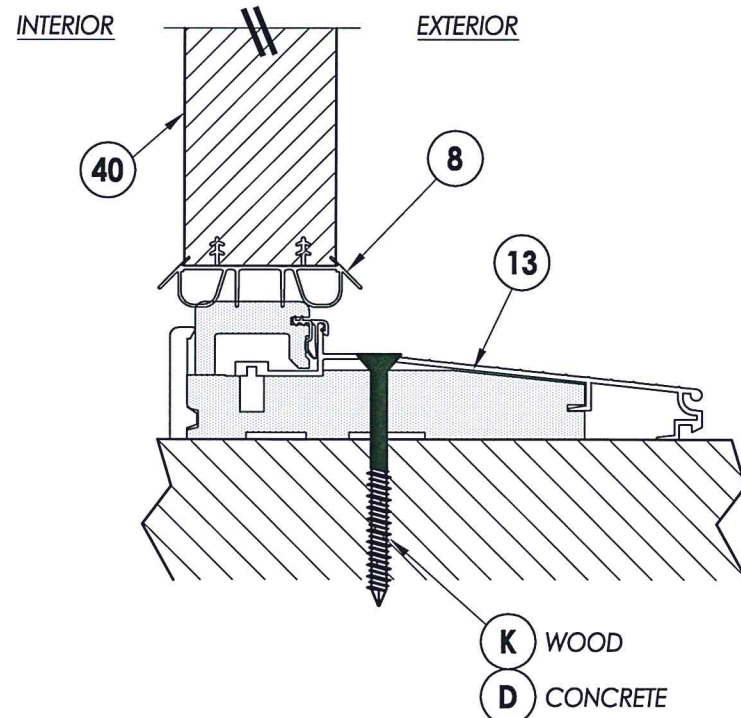
SHEET 3 OF 6



1 VERTICAL CROSS SECTION
4 Outswing Shown (Inswing similar)



2 VERTICAL CROSS SECTION
4 Outswing Sill



3 VERTICAL CROSS SECTION
4 Inswing Sill



Documents Prepared By: Lyndon F. Schmidt, P.E.
 TEXAS P.E. #104123

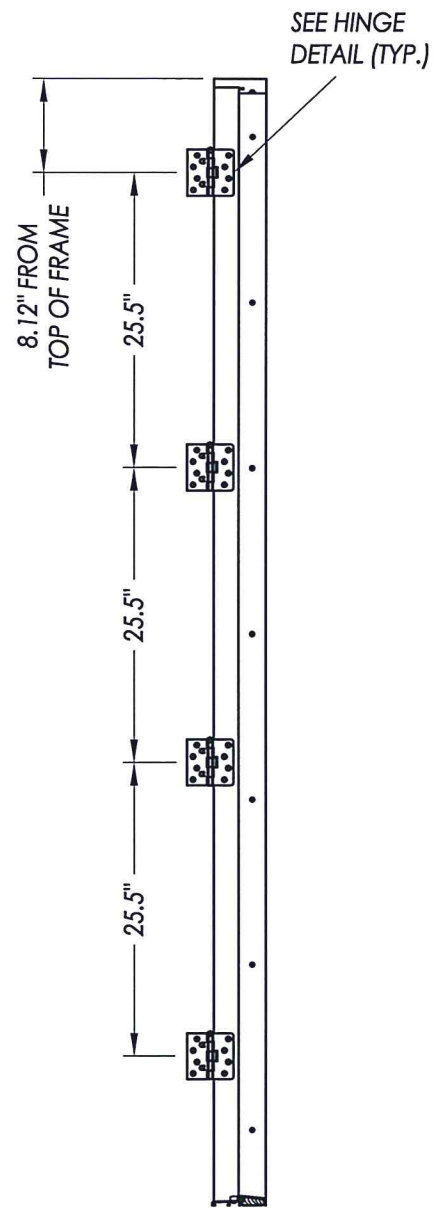
RW BUILDING CONSULTANTS, INC.
 P.O. Box 230 Valrico FL, 33595
 Phone No.: 813.659.9197

TEXAS BOARD OF PROFESSIONAL ENGINEERS
 CERTIFICATE OF REGISTRATION # F-11852

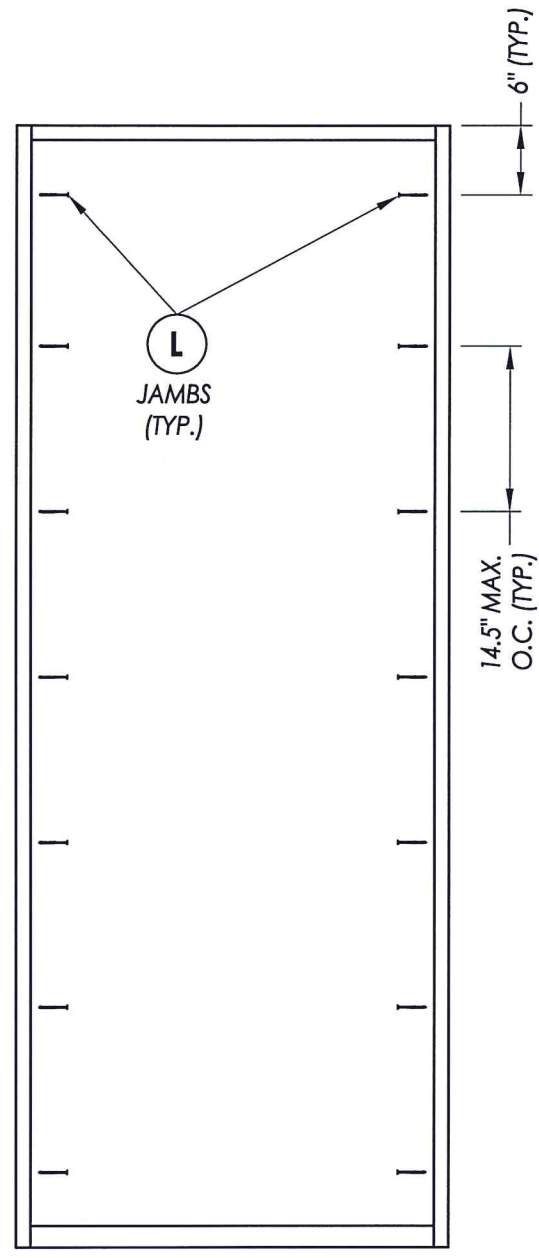
PRODUCT: THERMA-TRU
 FLUSH GLAZED DOOR
 PART OR ASSEMBLY:
 VERTICAL
 CROSS SECTIONS

NO.	DATE	BY	REVISIONS

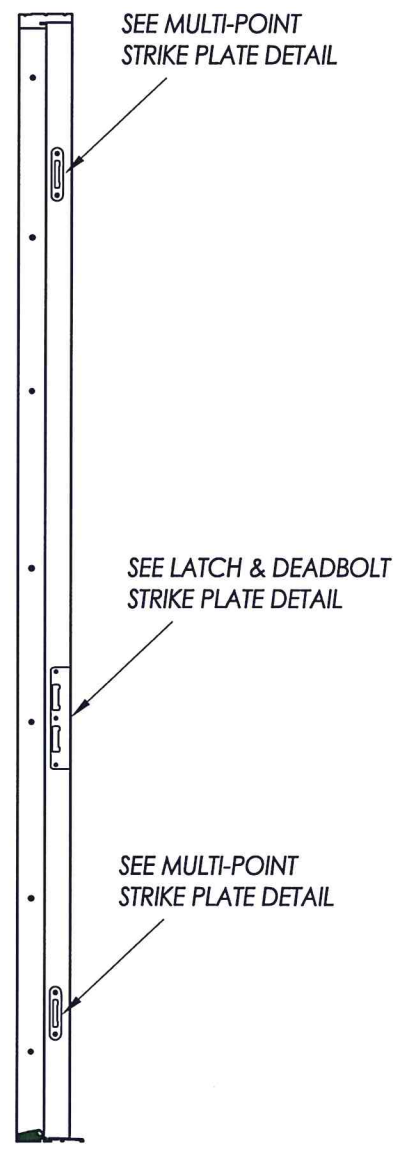
DATE: 7/28/15
 SCALE: N.T.S.
 DWG. BY: JK
 CHK. BY: LFS
 DRAWING NO.: TX-4560
 SHEET 4 OF 6



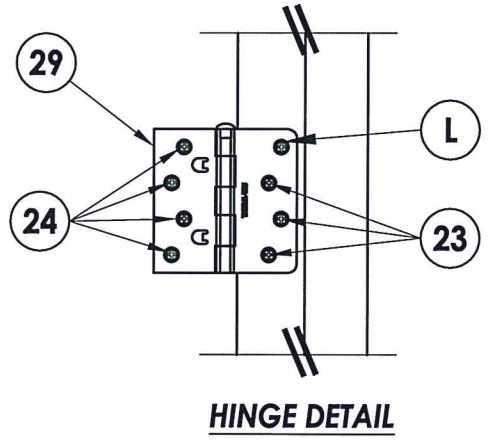
HINGE JAMB



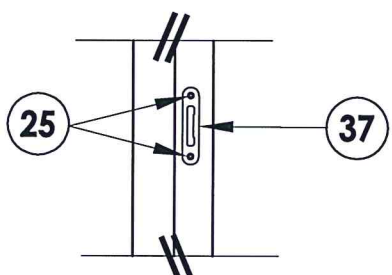
FRAME ANCHORING



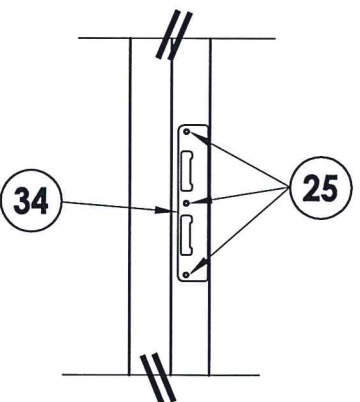
STRIKE JAMB



HINGE DETAIL



MULTI-POINT STRIKE PLATE DETAIL



LATCH & DEADBOLT STRIKE PLATE DETAIL



Documents Prepared By: Lyndon F. Schmidt, P.E.
TEXAS P.E. #104123

RW BUILDING CONSULTANTS, INC.
P.O. Box 230 Valrico FL 33595
Phone No.: 813.659.9197

TEXAS BOARD OF PROFESSIONAL ENGINEERS
CERTIFICATE OF REGISTRATION # F-11852

PRODUCT: THERMA-TRU
FLUSH GLAZED DOOR

PART OR ASSEMBLY:
FRAME ANCHORING
& HARDWARE DETAILS

NO.	DATE	BY	REVISIONS

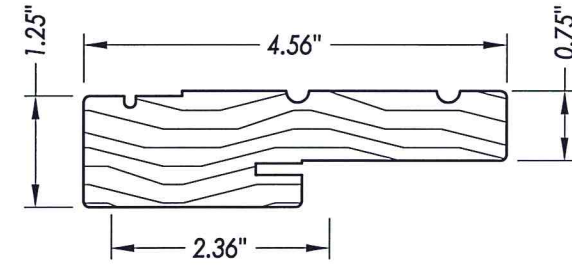
DATE: 7/28/15
SCALE: N.T.S.
DWG. BY: JK
CHK. BY: LFS
DRAWING NO.: TX-4560
SHEET 5 OF 6

FRAME ANCHORING
2X stud framing
w/ wood/concrete substrate

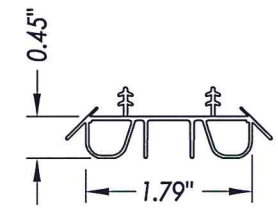
R:\Clients\Therma Tru PERMANENT\B - Texas Dept of Ins\TDI - DR XXX Flush Glazed Doors\C - Drawings\Current\TX-4560-62.dwg, 6.1

BILL OF MATERIALS

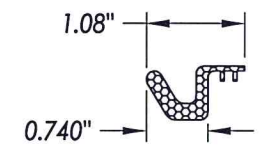
ITEM #	DESCRIPTION	MATERIAL
A	2X FRAMING (SG >= 0.42)	WOOD
C	1/4" MAX. SHIM SPACE	-
D	1/4" PFH ELCO OR ITW CONCRETE SCREW (1-3/4" MIN. EMBEDMENT)	STEEL
K	#10 PFH WOOD SCREW (1-1/2" MIN. EMBEDMENT)	
L	#10 X 2-1/2" PFH WOOD SCREW (1.15" MIN. EMBEDMENT)	STEEL
1	JAMB - FINGER JOINTED PINE	WOOD
6	WEATHERSTRIP (Medium Reach by Therma-Tru)	FOAM
7	WEATHERSTRIP (Long Reach by Therma-Tru)	FOAM
8	SWEEP	VINYL
13	INSWING THRESHOLD	ALUM/COMP
14	OUTSWING THRESHOLD	ALUM/COMP
23	#10 x 3/4" PFH WOOD SCREW	STEEL
24	#10 x 1" PFH WOOD SCREW	STEEL
25	#8 x 2-1/2" PFH WOOD SCREW	STEEL
34	LATCH & DEADBOLT STRIKE PLATE	STEEL
37	MULTI-POINT STRIKE PLATE	STEEL
29	4" X 4" HINGE	STEEL
40	DOOR PANEL (2'-10")	-
41	DOOR PANEL (3'-0")	-



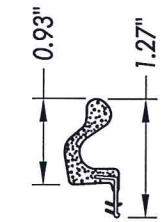
1 WOOD JAMB



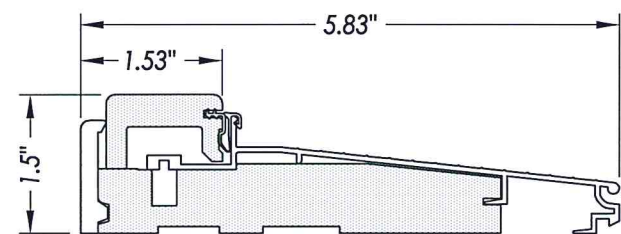
8 SWEEP



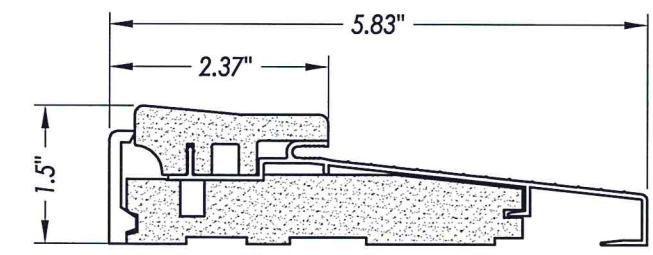
6 WEATHERSTRIP
Medium Reach



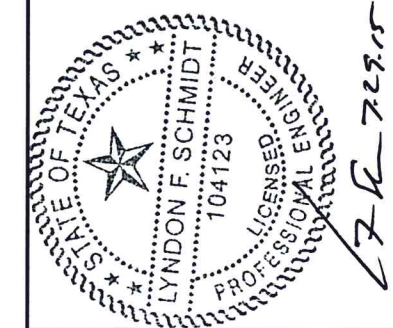
7 WEATHERSTRIP
Long Reach



13 INSWING THRESHOLD



14 OUTSWING THRESHOLD



Documents Prepared By: Lyndon F. Schmidt, P.E.
TEXAS P.E. #104123

RW BUILDING CONSULTANTS, INC.
P.O. Box 230 Valrico FL 33595
Phone No.: 813.659.9197

TEXAS BOARD OF PROFESSIONAL ENGINEERS
CERTIFICATE OF REGISTRATION # F-11852

PRODUCT: THERMA-TRU
FLUSH GLAZED DOOR

PART OR ASSEMBLY:
BILL OF MATERIALS &
COMPONENTS

NO.	DATE	BY	REVISIONS

DATE: 7/28/15
SCALE: N.T.S.
DWG. BY: JK
CHK. BY: LFS
DRAWING NO.: TX-4560
SHEET 6 OF 6