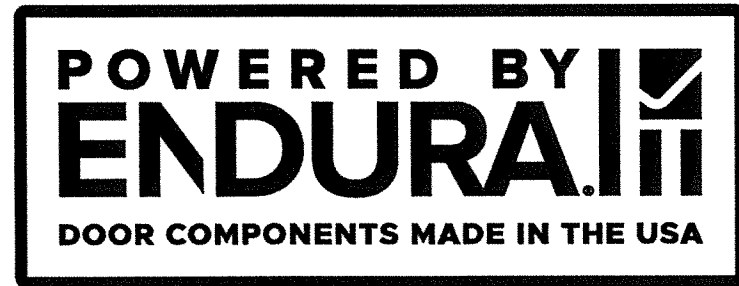


Z:\Clients\Endura PERMANENT\B - Texas Dept of Ins\TDI - DR-709 Plastpro FG Glazed\C - Drawings\TX-4663.65.dwg



Glazed Fiberglass Door

"NON-IMPACT"

IN SWING / OUT SWING

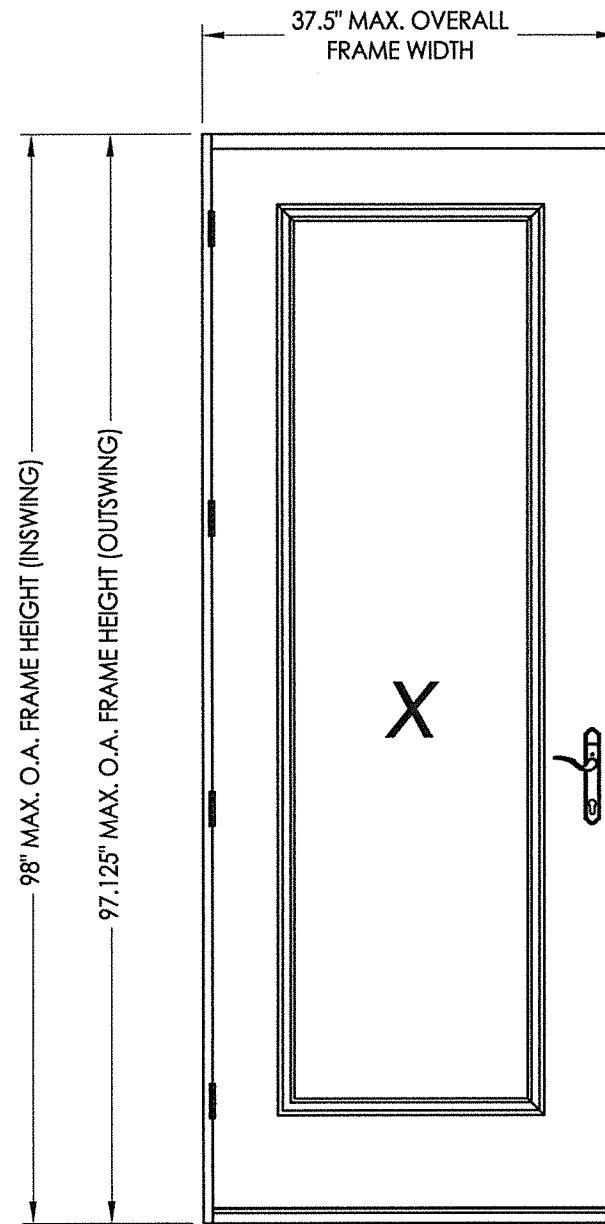
EVALUATED FOR USE IN THE STATE OF TEXAS

TDI DR-709

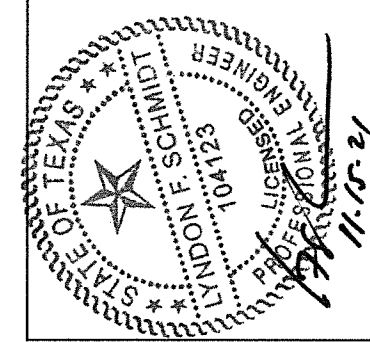
The Fiberglass Door system described herein complies with the 2018 International Residential Code (IRC), Sections R301 & R609 and the 2018 International Building Code (IBC), Sections 1404.13, 1609, 1709.5, 2403 and 2404 subject to the following conditions:

1. Anchors shall be as listed and spaced as shown in the details. Anchor embedment to base material shall be beyond wall dressing or stucco.
2. When used in areas requiring wind-borne debris protection this product is required to be protected with an impact resistant covering that complies with Section R301.2.1.2 of the IRC and Section 1609.1.2 of the IBC.
3. Allowable design pressure requirements must be equal to or less than the design pressure rating shown in the design pressure chart, sheet 1 of this drawing.
4. Conditions not covered by this drawing are subject to further engineering analysis.

TABLE OF CONTENTS	
SHEET#	DESCRIPTION
1	Typical elevations, design pressures & general notes
2	Door panel details (lip lite insert glazing)
3	Door panel details (flush glazing)
4	Horizontal & vertical cross sections
5	Vertical cross sections
6	Frame anchoring



CONFIG.	GLAZING	MODEL	DESIGN PRESSURE (PSF) ULTIMATE TRILENNIUM ASTRAGAL	
			POSITIVE	NEGATIVE
X	LIP LITE INSERT	IN SWING	+40.0	-40.0
X	LIP LITE INSERT	OUT SWING	+40.0	-40.0
X	FLUSH GLAZED	IN SWING	+55.0	-55.0
X	FLUSH GLAZED	OUT SWING	+60.0	-60.0



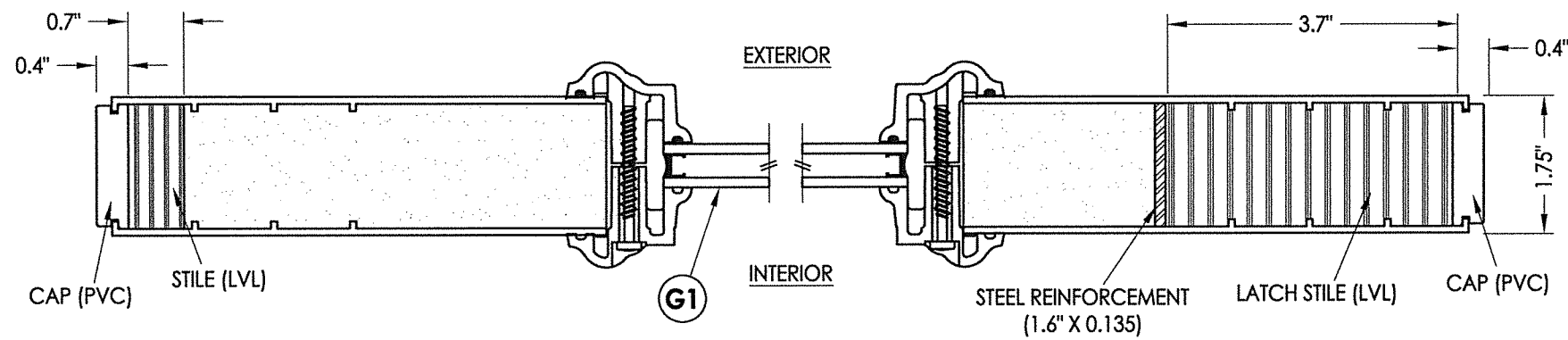
Documents Prepared By: Lyndon F. Schmidt, P.E.
TEXAS P.E. #104123

RW BUILDING CONSULTANTS, INC.
P.O. Box 230 Valrico FL 33595
Phone No.: 813.659.9197

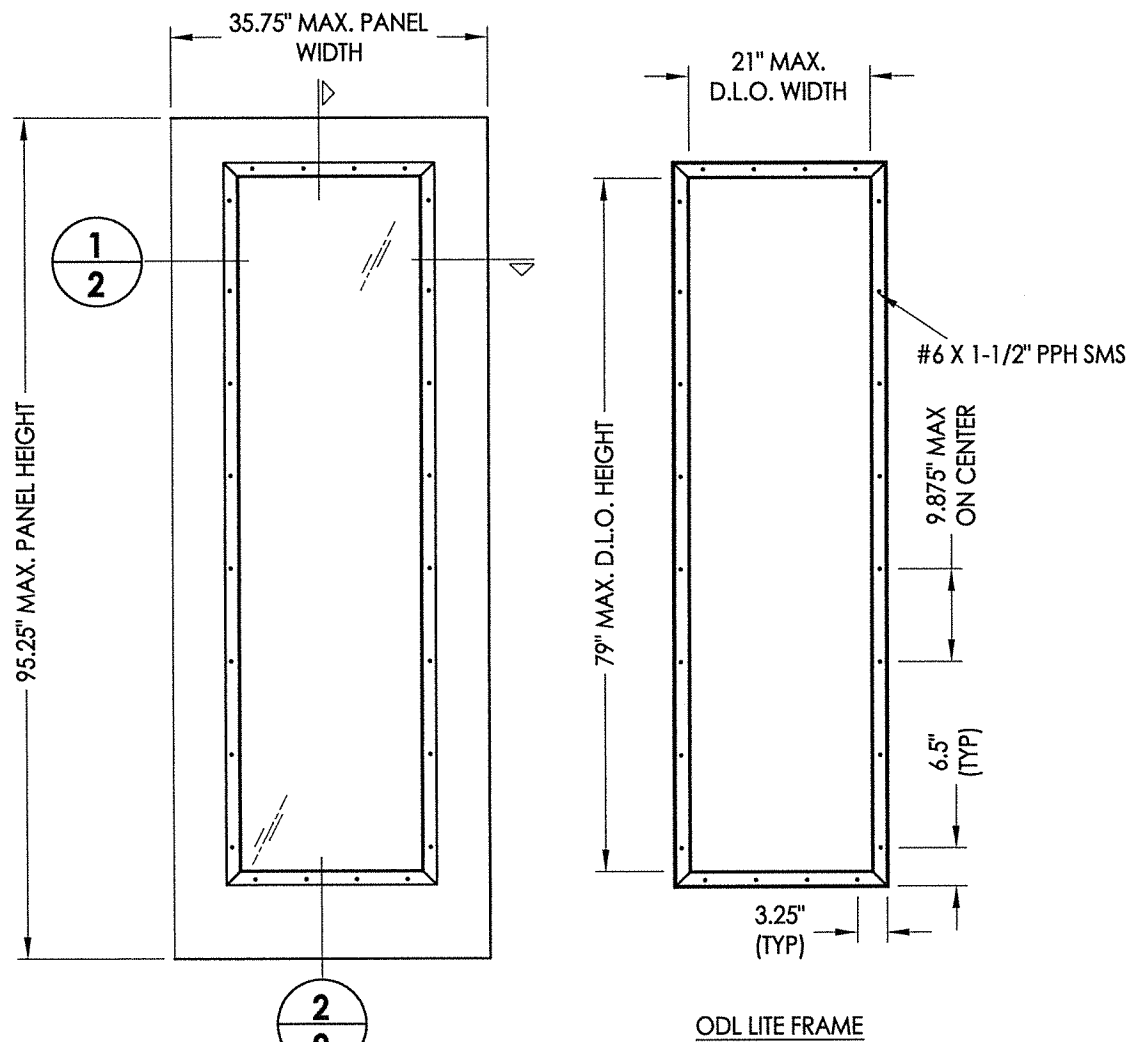
TEXAS BOARD OF PROFESSIONAL ENGINEERS
CERTIFICATE OF REGISTRATION # F-11852

PRODUCT:	ENDURA
PART OR ASSEMBLY:	TYPICAL ELEVATION, DESIGN PRESSURES & GENERAL NOTES
DATE:	11/09/16
SCALE:	N.T.S.
DWG. BY:	JK
CHK. BY:	LFS
DRAWING NO.:	TX-4665
SHEET	1 OF 6

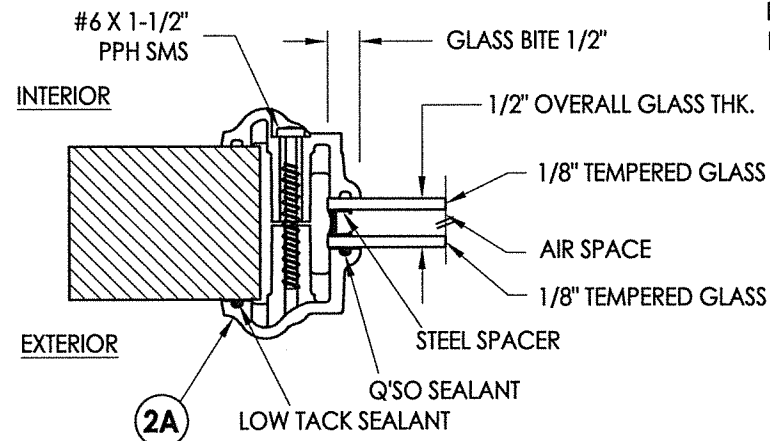
Z:\Clients\Endura PERMANENT\B - Texas Dept of Ins\TDI - DR-709 Plastpro FG Glazed\C - Drawings\TX-4663.65.dwg



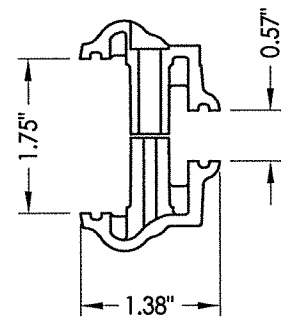
1
2 HORIZONTAL CROSS SECTION



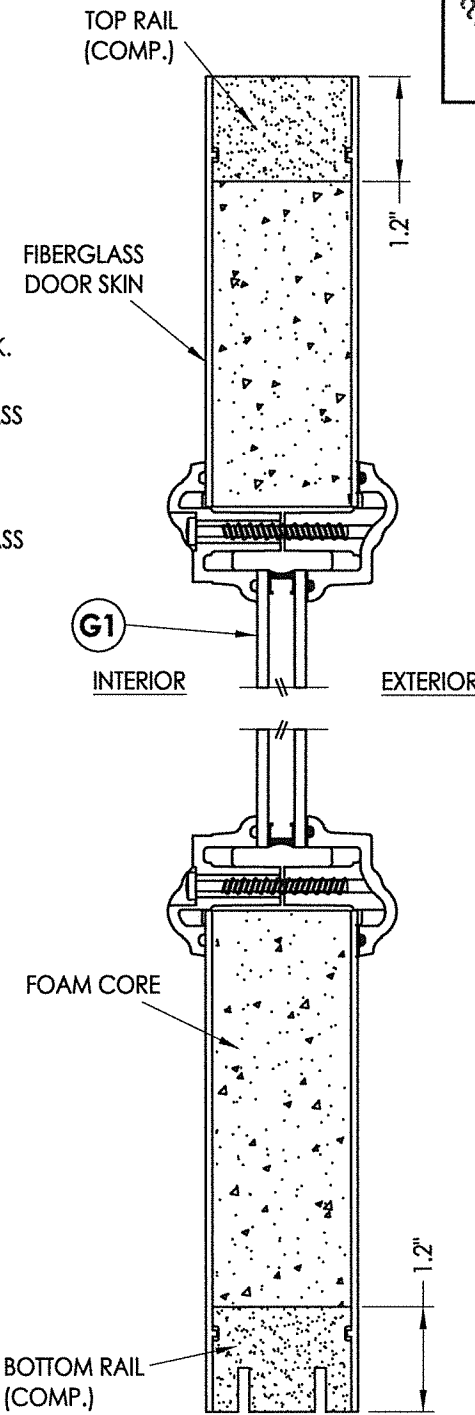
2
2 DOOR PANEL
Plastpro
Fiberglass



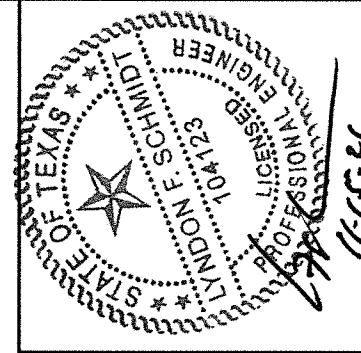
G1 GLAZING DETAIL



2A OD LITE FRAME
HP Polypropylene



2
2 VERTICAL CROSS SECTION



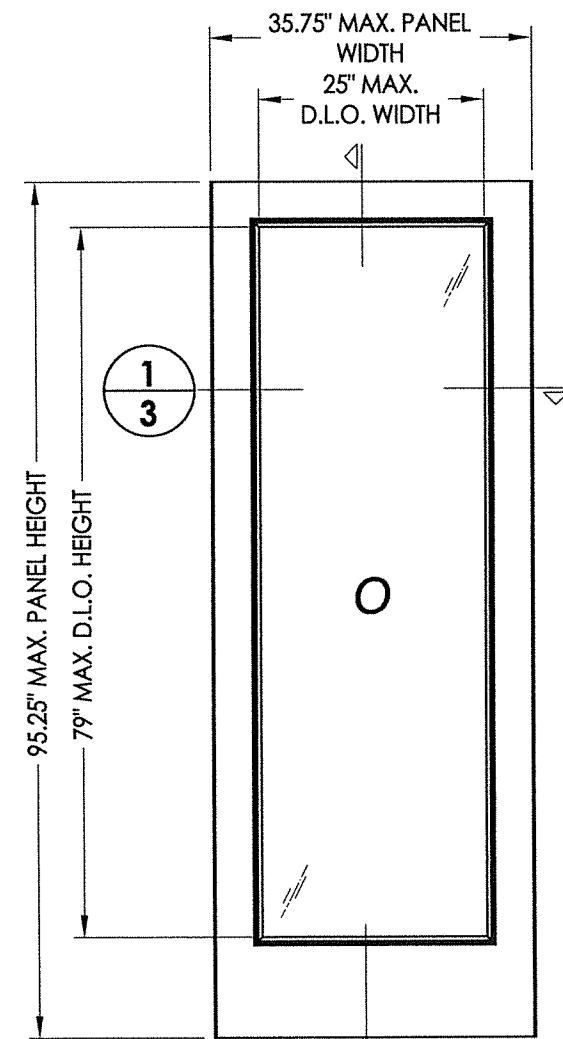
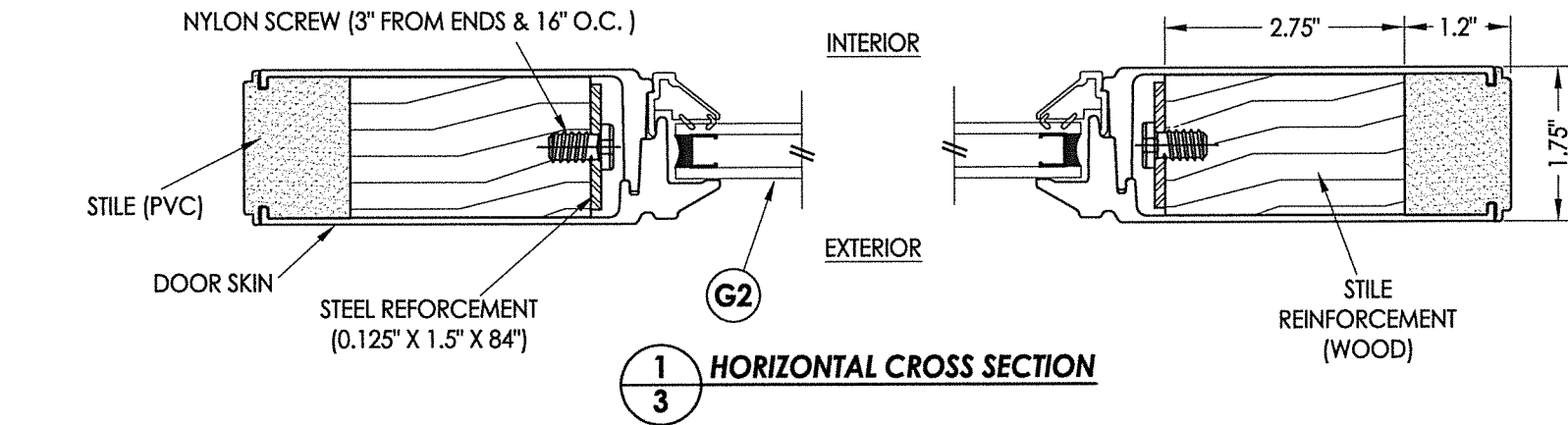
Documents Prepared By: Lyndon F. Schmidt, P.E.
TEXAS P.E. #104123

RW BUILDING CONSULTANTS, INC.
P.O. Box 230 Vairico FL 33595
Phone No.: 813.659.9197
TEXAS BOARD OF PROFESSIONAL ENGINEERS
CERTIFICATE OF REGISTRATION # F-11852

PRODUCT:	ENDURA	
PART OR ASSEMBLY:	DOOR PANEL DETAILS	
NO.	DATE	BY
2	11/11/21	LFS
1	10/08/18	LFS
REVISIONS		
DATE:	11/09/16	
SCALE:	N.T.S.	
DWG. BY:	JK	
CHK. BY:	LFS	
DRAWING NO.:	TX-4665	
SHEET	2 OF 6	

© 2016 R.W. BUILDING CONSULTANTS INC.

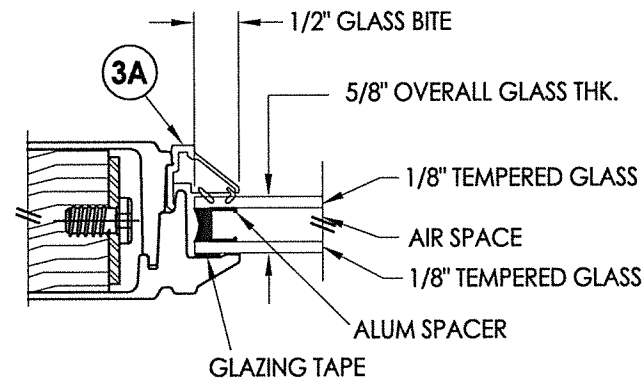
Z:\Clients\Endura PERMANENT\B - Texas Dept of Ins\TDI - DR-709 Plastpro FG Glazed\C - Drawings\TX-4663.65.dwg



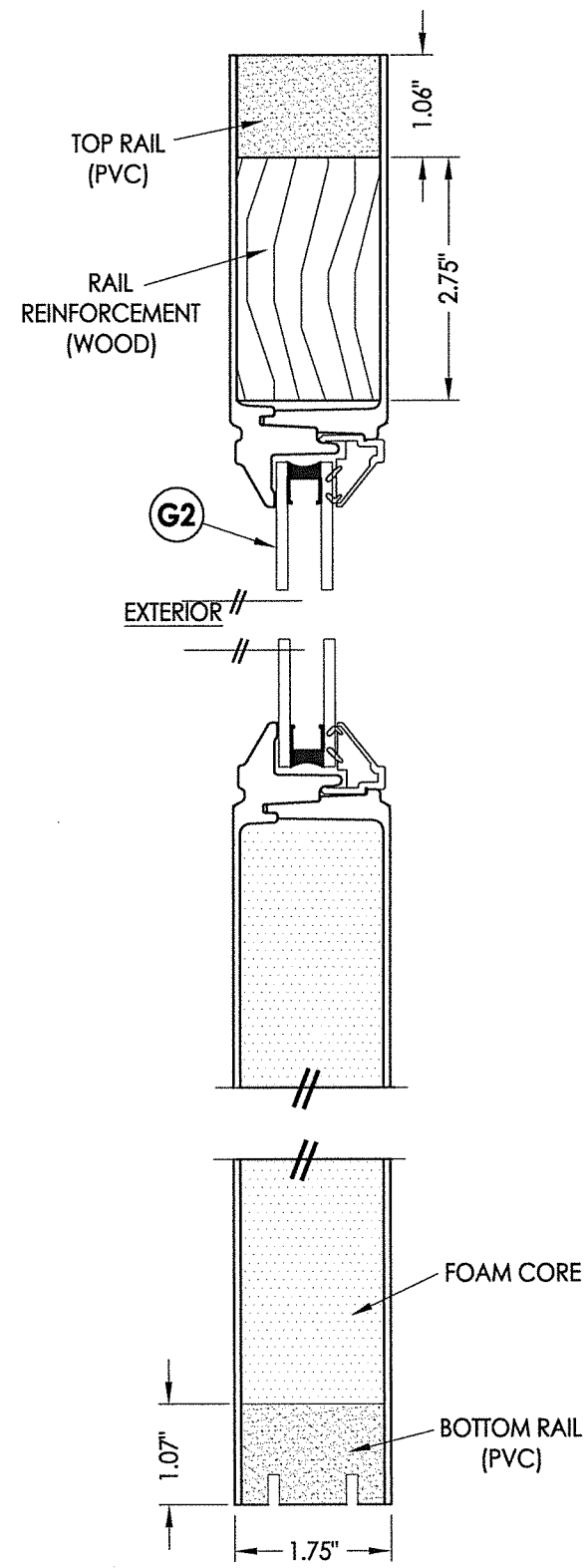
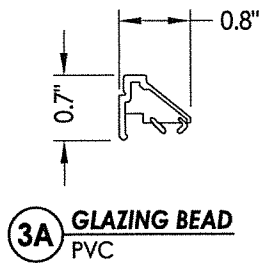
2
3

DOOR PANEL
Plastpro
Fiberglass

DOOR SKIN: FIBERGLASS (0.075" MIN. THK.)
FOAM CORE: POLYURETHANE (1.9 PCF MIN.)

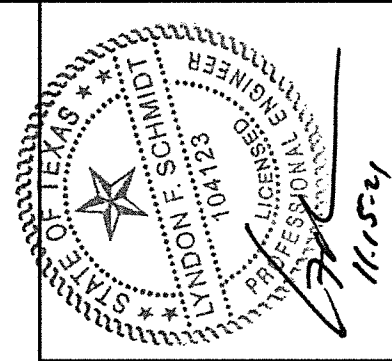


G2 **GLAZING DETAIL**
Flush Glazing



2
3

VERTICAL CROSS SECTION



Documents Prepared By: Lyndon F. Schmidt, P.E.
TEXAS P.E. #104123

R.W. BUILDING CONSULTANTS, INC.
P.O. Box 230 Vairco FL 33595
Phone No.: 813.659.9197

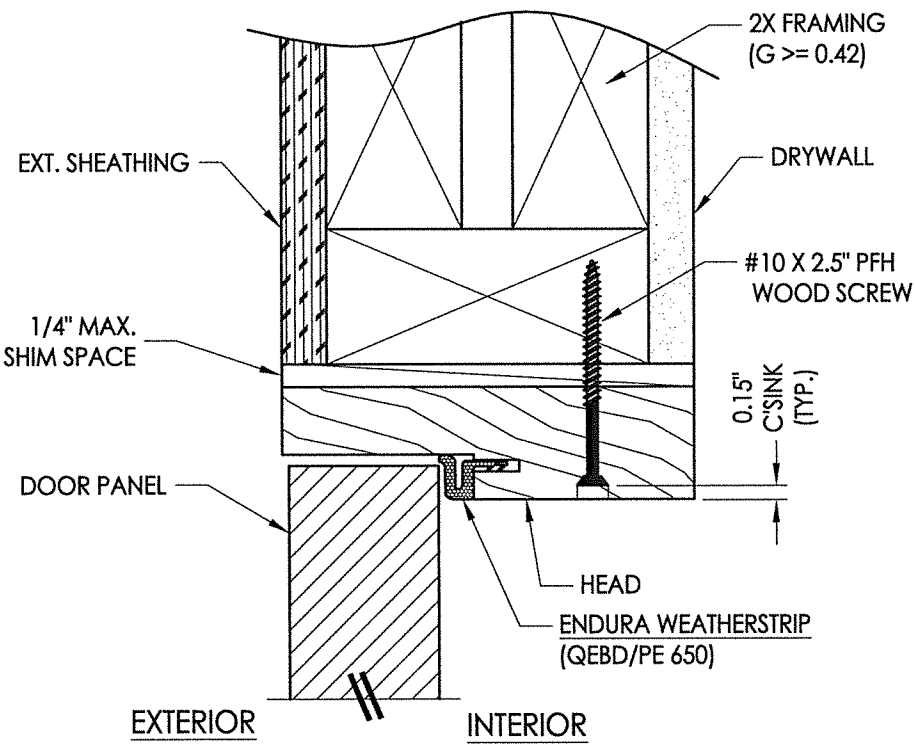
TEXAS BOARD OF PROFESSIONAL ENGINEERS
CERTIFICATE OF REGISTRATION # F-11852

11.15.21

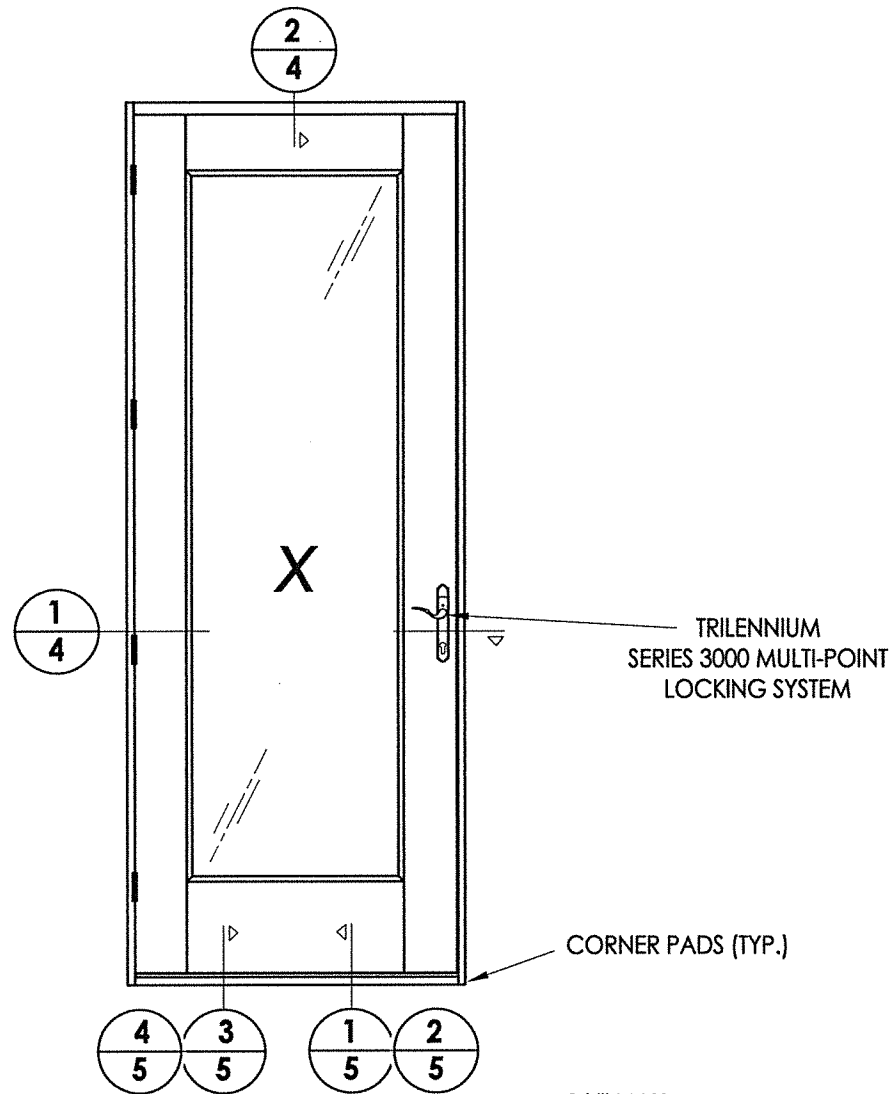
PRODUCT: ENDURA	
PART OR ASSEMBLY: DOOR PANEL DETAILS	
NO.	DATE
2	11/11/21
1	10/08/18
REVISIONS	
DATE: 11/09/16	
SCALE: N.T.S.	
DWG. BY: JK	
CHK. BY: LFS	
DRAWING NO.: TX-4665	
SHEET 3 OF 6	

© 2016 R.W. BUILDING CONSULTANTS INC.

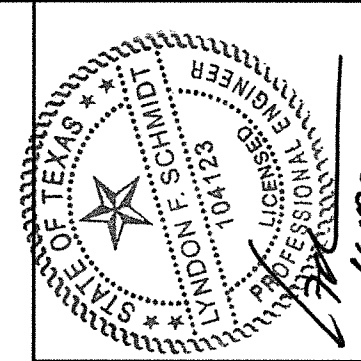
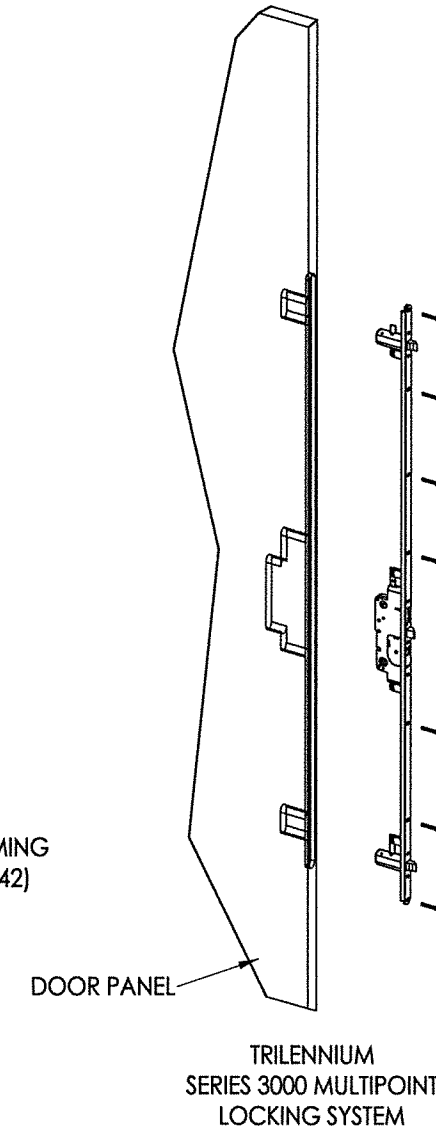
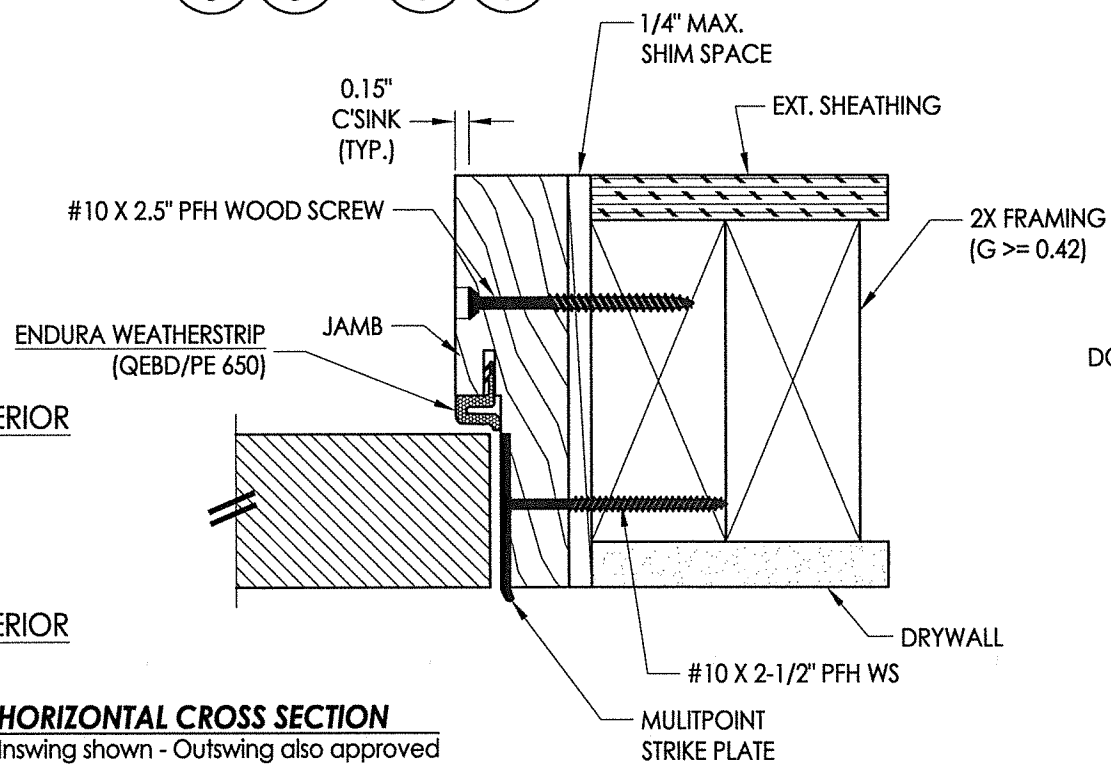
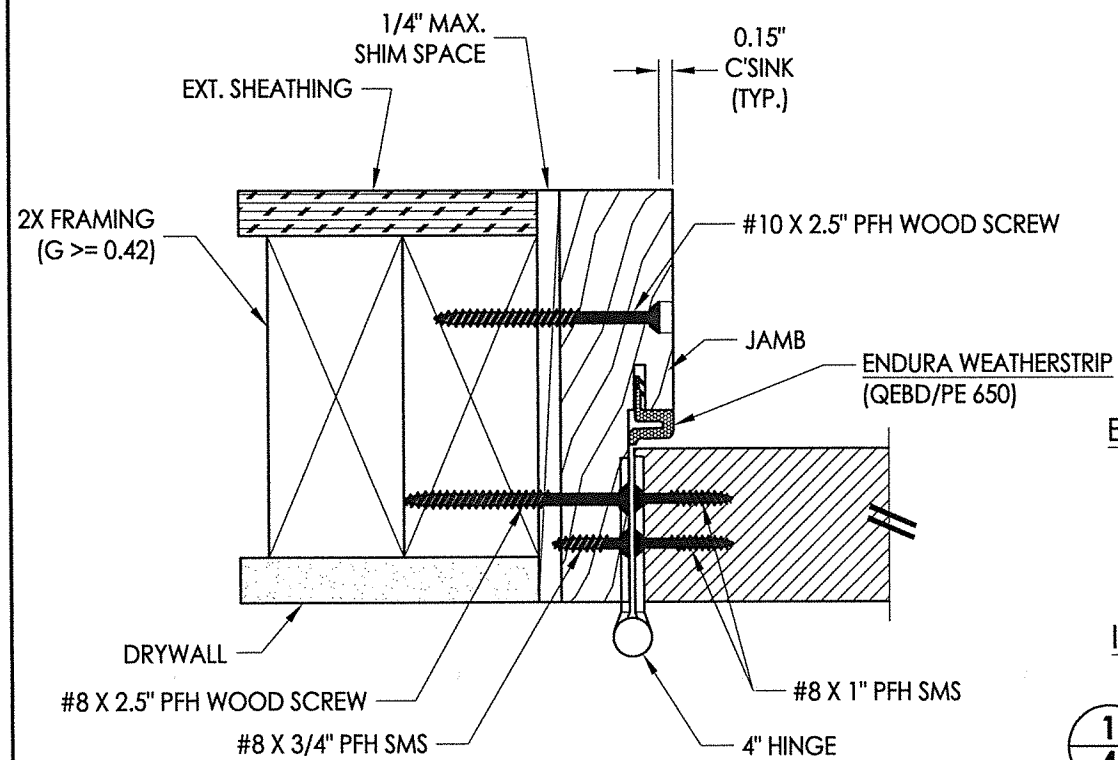
Z:\Clients\Endura PERMANENT\B - Texas Dept of Ins\TDI - DR-709 Plastipro FG Glazed\C - Drawings\TX-4663.65.dwg



2
4 **VERTICAL CROSS SECTION**
Outswing shown - inswing also approved



1
4 **HORIZONTAL CROSS SECTION**
Inswing shown - Outswing also approved



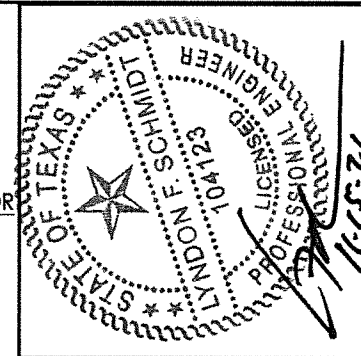
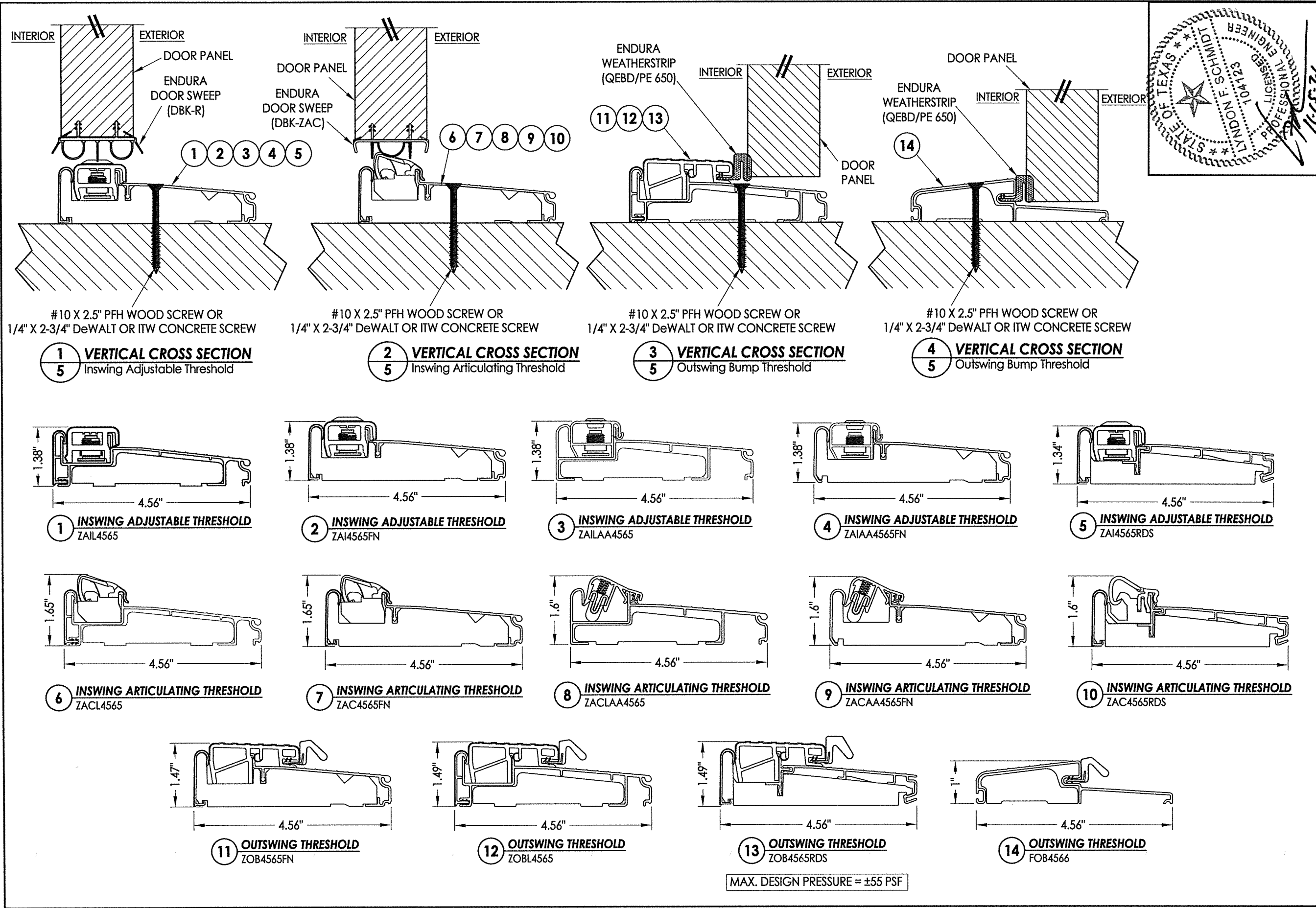
Documents Prepared By: Lyndon F. Schmidt, P.E.
TEXAS P.E. #104123

RW BUILDING CONSULTANTS, INC.
P.O. Box 230 Valrico FL 33595
Phone No.: 813.659.9197

TEXAS BOARD OF PROFESSIONAL ENGINEERS
CERTIFICATE OF REGISTRATION # F-11852

PRODUCT:	ENDURA	
PART OR ASSEMBLY:	HORIZONTAL & VERTICAL CROSS SECTIONS	
NO.	DATE	BY
2	11/11/21	LFS
1	10/08/18	LFS
REVISIONS		
DATE:	11/09/16	
SCALE:	N.T.S.	
DWG. BY:	JK	
CHK. BY:	LFS	
DRAWING NO.:	TX-4665	
SHEET	4 OF 6	

Z:\Clients\Endura PERMANENT\B - Texas Dept of Ins\TDI - DR-709 Plastpro FG Glazed\C - Drawings\TX-4663.65.dwg



Documents Prepared By: Lyndon F. Schmidt, P.E.
TEXAS P.E. #104123

RW BUILDING CONSULTANTS, INC.
P.O. Box 230 Valrico FL 33595
Phone No.: 813.659.9197

TEXAS BOARD OF PROFESSIONAL ENGINEERS
CERTIFICATE OF REGISTRATION # F-11852

PRODUCT:	ENDURA	
PART OR ASSEMBLY:	VERTICAL CROSS SECTIONS	
NO.	DATE	BY
2	11/11/21	LFS
1	10/08/18	LFS
REVISIONS		
DATE:	11/09/16	
SCALE:	N.T.S.	
DWG. BY:	JK	
CHK. BY:	LFS	
DRAWING NO.:	TX-4665	
SHEET	5	OF 6

© 2016 R.W. BUILDING CONSULTANTS INC.

