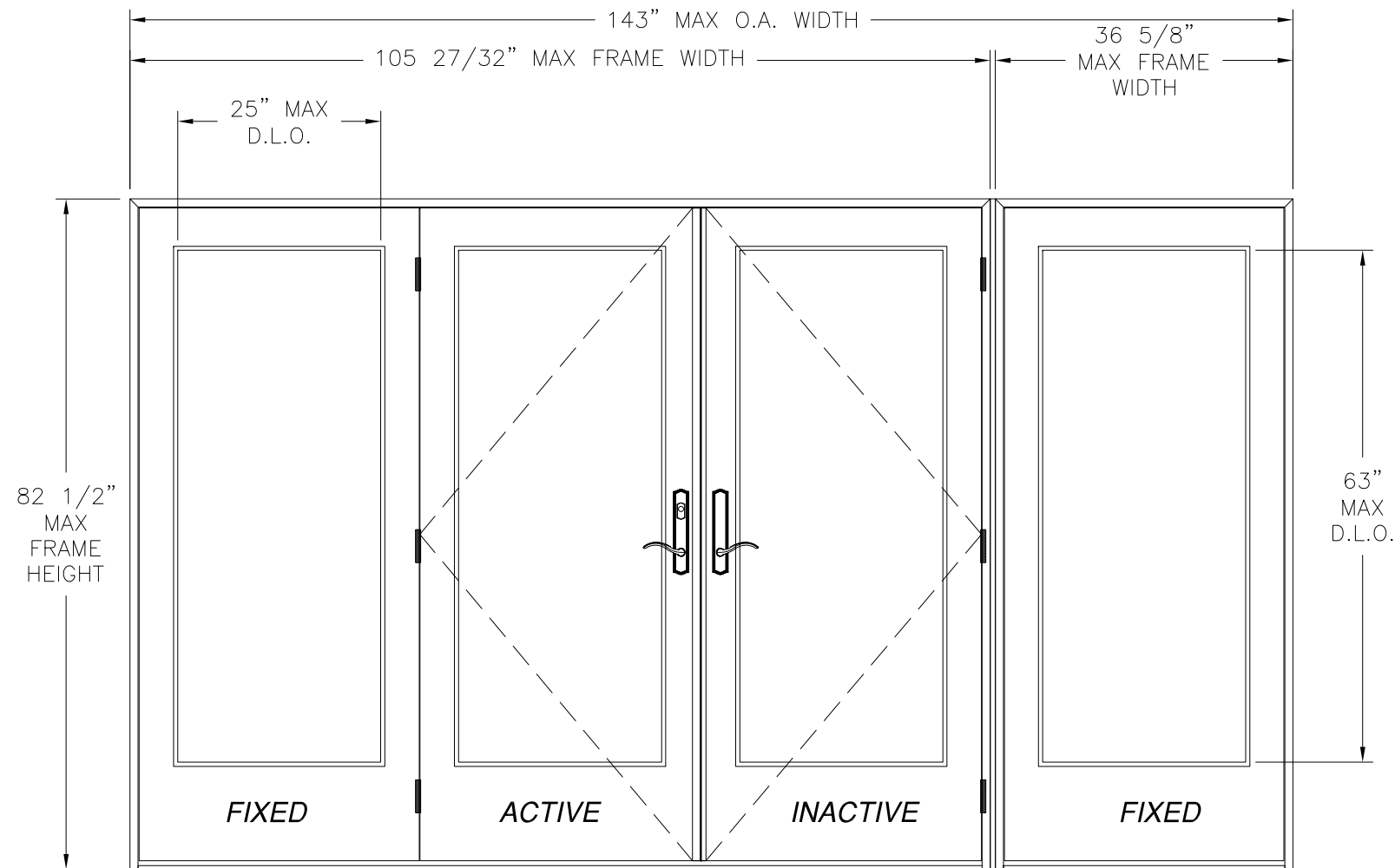


REVISIONS			
REV	DESCRIPTION	DATE	APPROVED
A	REVISED ANCHOR LOCATION	06/13/12	R.L.
B	REVISED RATING	03/17/14	R.L.



**OUT-SWING ENTRANCE DOUBLE DOOR W/ SIDELITES**  
**FIBERGLASS CLAD**  
**EXTERIOR VIEW**

DESIGN PRESSURE RATING	IMPACT RATING
±70.0PSF	LARGE AND SMALL MISSILE IMPACT

NOTES:

- 1) THE PRODUCT SHOWN HEREIN IS DESIGNED AND MANUFACTURED TO COMPLY WITH REQUIREMENTS OF THE 2006 IRC, 2006 IBC WITH STATE OF TEXAS MODIFICATIONS.
- 2) WOOD FRAMING AND MASONRY OPENING TO BE DESIGNED AND ANCHORED TO PROPERLY TRANSFER ALL LOADS TO STRUCTURE. WOOD FRAMING OPENING IS THE RESPONSIBILITY OF THE ARCHITECT OR ENGINEER OF RECORD.
- 3) 1X BUCK OVER MASONRY/CONCRETE IS OPTIONAL. WHERE 1X BUCK IS NOT USED DISSIMILAR MATERIALS MUST BE SEPARATED WITH APPROVED COATING OR MEMBRANE. SELECTION OF COATING OR MEMBRANE IS THE RESPONSIBILITY OF THE ARCHITECT OR ENGINEER OF RECORD.
- 4) APPROVED IMPACT PROTECTIVE SYSTEM IS NOT REQUIRED FOR THIS PRODUCT IN WIND BORNE DEBRIS REGIONS.
- 5) UNITS MUST BE GLAZED PER ASTM E1300-04. SEE SHEET 3 FOR GLAZING DETAIL.
- 6) ALLOWABLE STRESS INCREASE OF 1/3 WAS NOT USED IN THE DESIGN OF THE PRODUCT SHOWN HEREIN. WIND LOAD DURATION FACTOR Cd=1.6 WAS USED FOR WOOD ANCHOR CALCULATIONS.
- 7) FRAME JAMB AND HEAD MATERIAL: CO-EXTRUDED PVC FOAM.
- 8) FRAME SILL MATERIAL: CO-EXTRUDED PVC FOAM WITH ALUMINUM CLADDING.
- 9) DOOR PANEL SIDELITE MATERIAL: FIBERGLASS SKIN WITH PVC FOAM TOP AND BOTTOM RAILS, AND PVC FOAM VERTICAL STILES WITH PINE REINFORCEMENTS AND POLYURETHANE FOAM CORE.
- 10) HINGE LOCATION: 9", 40 7/8" AND 72 1/2" FROM BOTTOM.
- 11) MAX PANEL SIZE: 34 1/2" X 80 5/16"

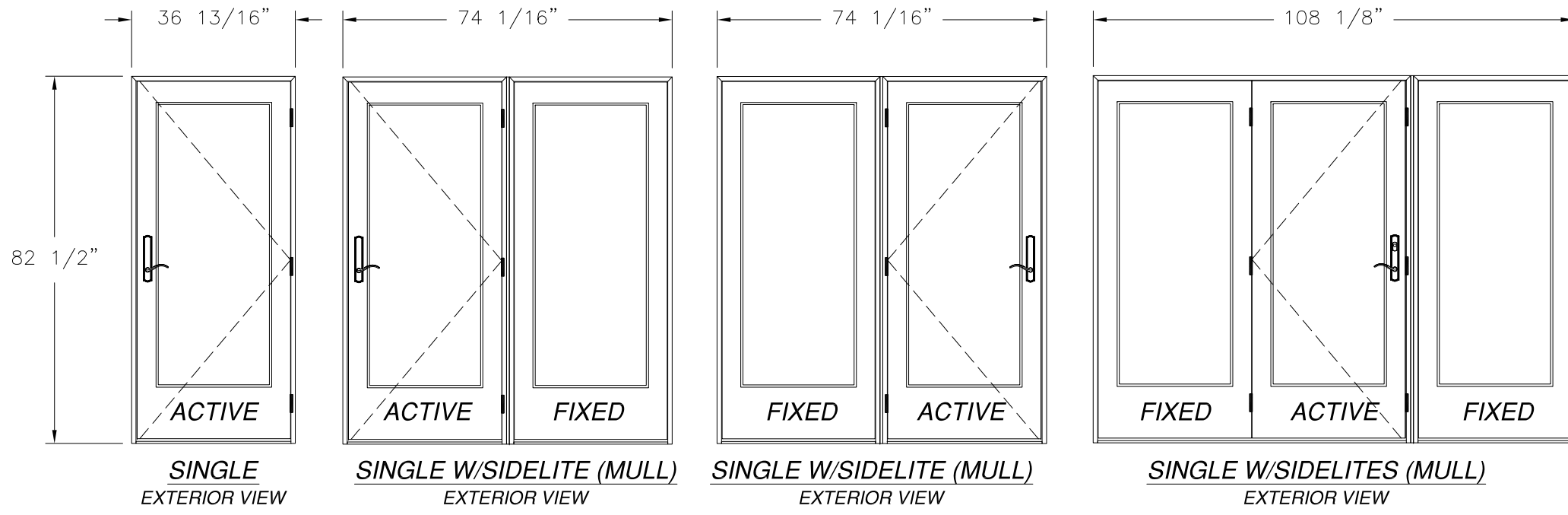
SIGNED: 03/20/2014

TABLE OF CONTENTS	
SHEET NO.	DESCRIPTION
1, 2	ELEVATION AND NOTES
3, 4	ANCHORING LAYOUTS
5 - 9	INSTALLATION DETAILS

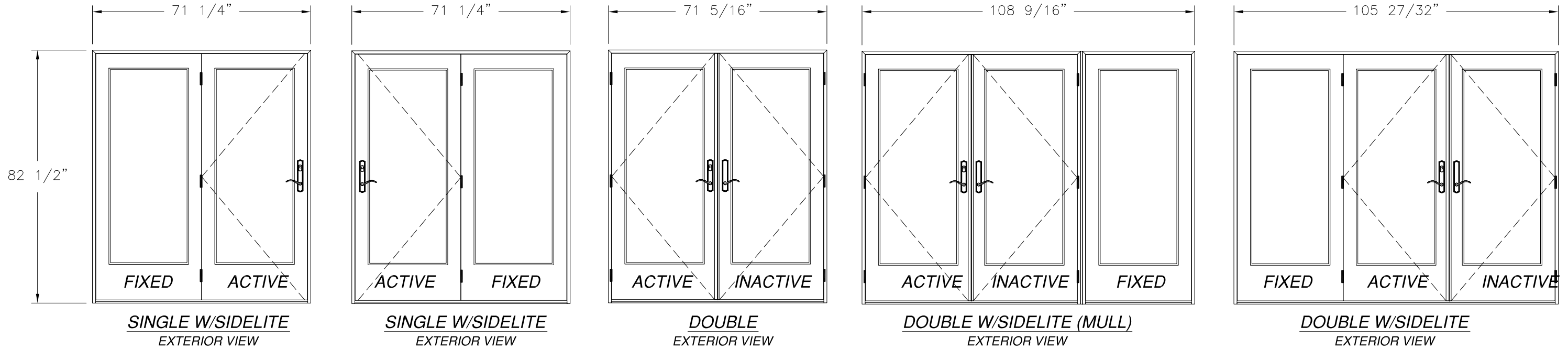
<b>NAN YA PLASTICS CORP. USA</b> 8989 NORTH LOOP EAST HOUSTON, TX 77029		
<b>OUT-SWING ENTRANCE DOOR W/ &amp; W/O SIDELITES</b> <b>FIBERGLASS CLAD</b> <b>ELEVATION AND NOTES</b>		
DRAWN: <b>L.M.P</b>	DWG NO. <b>08-01539</b>	REV <b>B</b>
SCALE <b>NTS</b>	DATE <b>05/30/2012</b>	SHEET <b>1</b> OF <b>9</b>



Luis R. Lomas P.E.  
TX No. 101889



REVISIONS			
REV	DESCRIPTION	DATE	APPROVED
A	REVISED ANCHOR LOCATION	06/13/12	R.L.
B	REVISED RATING	03/17/14	R.L.



SIGNED: 03/20/2014

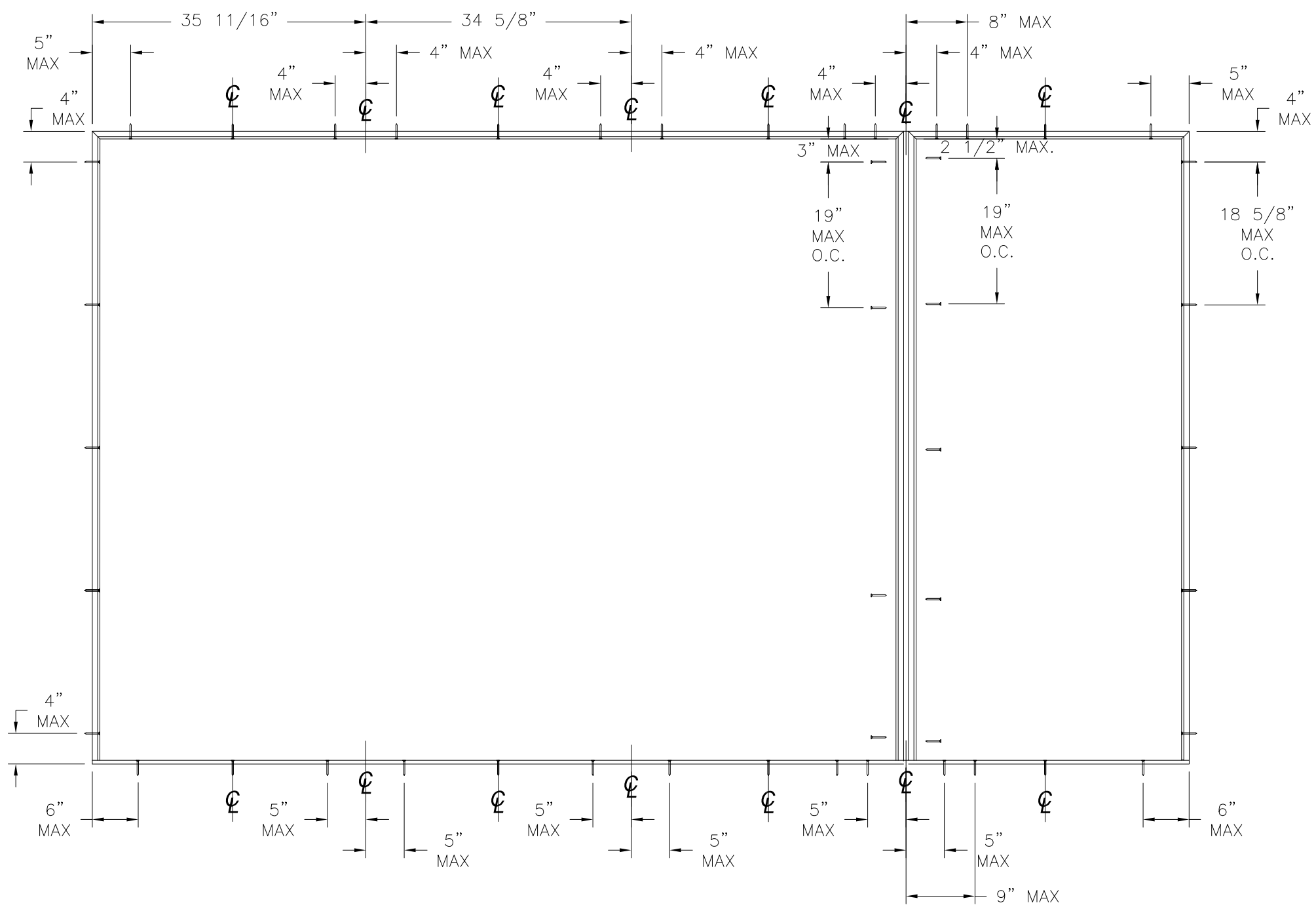
NAN YA PLASTICS CORP. USA  
 8989 NORTH LOOP EAST  
 HOUSTON, TX 77029

OUT-SWING ENTRANCE DOOR W/ & W/O SIDELITES  
 FIBERGLASS CLAD  
 APPROVED ELEVATIONS

DRAWN: L.M.P	DWG NO. 08-01539	REV B
SCALE NTS	DATE 05/30/2012	SHEET 2 OF 9

Luis R. Lomas P.E.  
 TX No. 101889

REVISIONS			
REV	DESCRIPTION	DATE	APPROVED
A	REVISED ANCHOR LOCATION	06/13/12	R.L.
B	REVISED RATING	03/17/14	R.L.



ANCHORING NOTES:

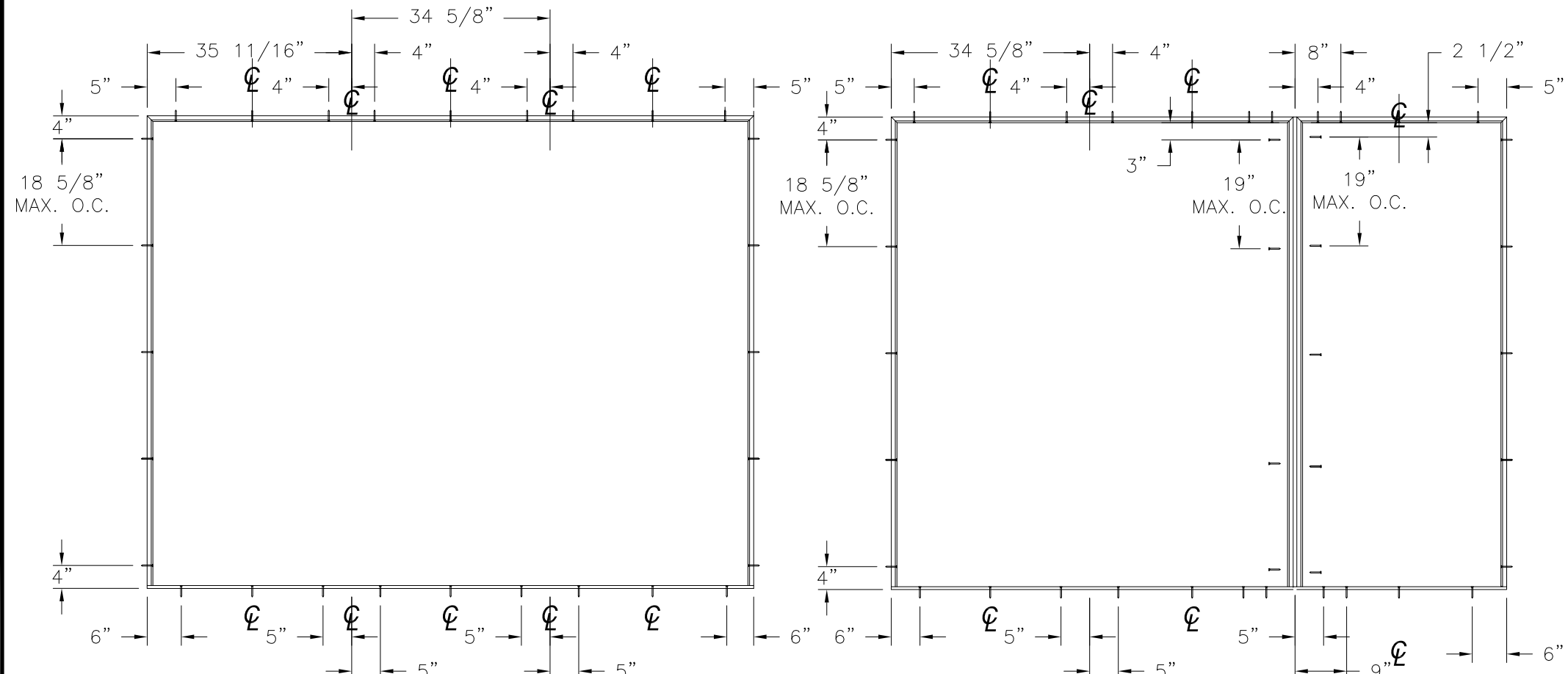
- 1) SHIM AS REQUIRED AT EACH INSTALLATION ANCHOR WITH LOAD BEARING SHIM. SHIM WHERE SPACE OF 1/16" OR GREATER OCCURS. MAXIMUM ALLOWABLE SHIM STACK TO BE 1/4".
- 2) FOR ANCHORING INTO MASONRY/CONCRETE USE 3/16" TAPCON OF SUFFICIENT LENGTH TO ACHIEVE A 1 1/4" MINIMUM EMBEDMENT INTO SUBSTRATE. LOCATE ANCHORS AS SHOWN IN ANCHORING LAYOUT AND INSTALLATION DETAILS.
- 3) FOR ANCHORING INTO 2X BUCK OR WOOD FRAMING USE #10 WOOD SCREW OF SUFFICIENT LENGTH TO ACHIEVE A 1 3/8" MINIMUM EMBEDMENT INTO SUBSTRATE. LOCATE ANCHORS AS SHOWN IN ANCHORING LAYOUT AND INSTALLATION DETAILS.
- 4) ALL FASTENERS TO BE CORROSION RESISTANT.
- 5) INSTALLATION ANCHORS SHALL BE INSTALLED IN ACCORDANCE WITH ANCHOR MANUFACTURER'S INSTALLATION INSTRUCTIONS, AND ANCHORS SHALL NOT BE USED IN SUBSTRATES WITH STRENGTHS LESS THAN THE MINIMUM STRENGTH SPECIFIED BELOW:  
 A. WOOD – MINIMUM SPECIFIC GRAVITY OF G=0.42  
 B. CONCRETE – MINIMUM COMPRESSIVE STRENGTH OF 3,200 PSI.  
 C. MASONRY – STRENGTH CONFORMANCE TO ASTM C-90, GRADE N, TYPE 1 (OR GREATER).

ANCHORING LAYOUT

SIGNED: 03/20/2014

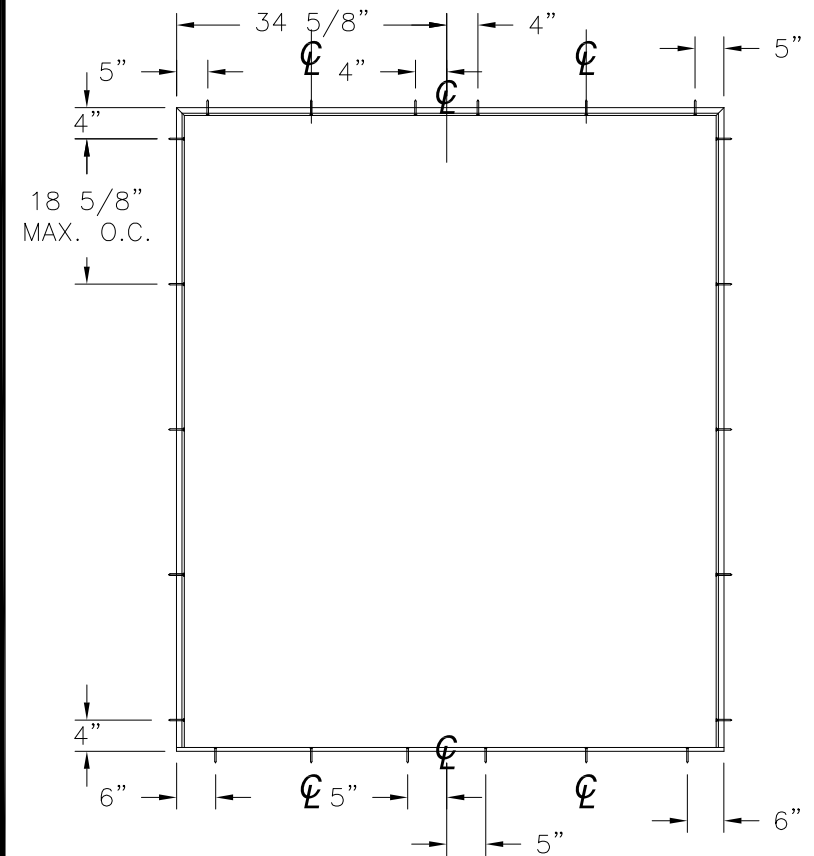
NAN YA PLASTICS CORP. USA 8989 NORTH LOOP EAST HOUSTON, TX 77029		
OUT-SWING ENTRANCE DOOR W/ & W/O SIDELITES FIBERGLASS CLAD ANCHORING LAYOUT		
DRAWN: L.M.P	DWG NO. 08-01539	REV B
SCALE NTS	DATE 05/30/2012	SHEET 3 OF 9

Luis R. Lomas P.E.  
TX No. 101889

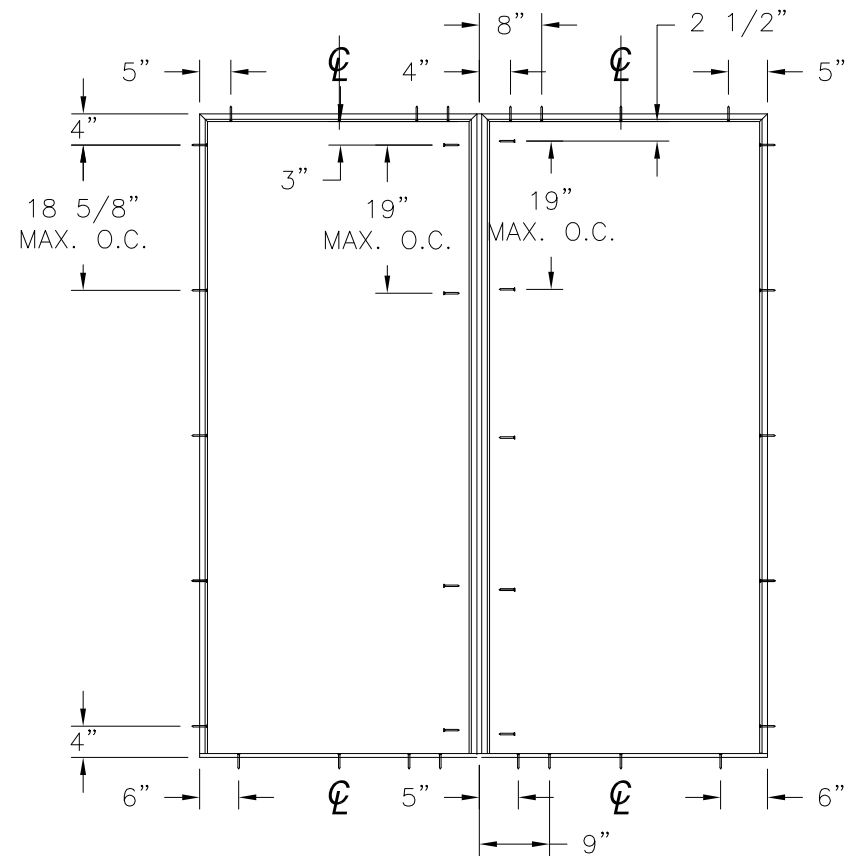


ANCHORING LAYOUT FOR OXO, XXO AND OXX

ANCHORING LAYOUT FOR OXO, XXO AND OXX (MULL)

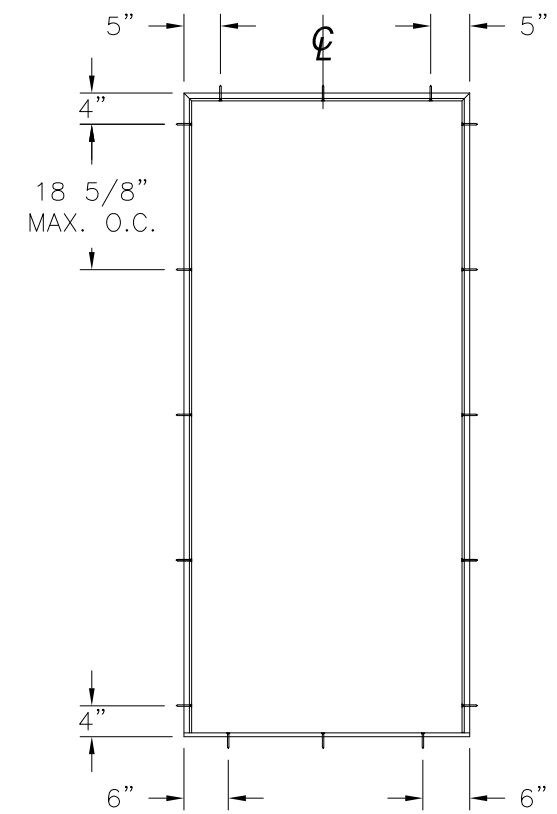


ANCHORING LAYOUT FOR XX, OX AND XO



ANCHORING LAYOUT FOR OX AND XO (MULL)

REVISIONS			
REV	DESCRIPTION	DATE	APPROVED
A	REVISED ANCHOR LOCATION	06/13/12	R.L.
B	REVISED RATING	03/17/14	R.L.



ANCHORING LAYOUT FOR X

NAN YA PLASTICS CORP. USA  
 8989 NORTH LOOP EAST  
 HOUSTON, TX 77029

OUT-SWING ENTRANCE DOOR W/ & W/O SIDELITES  
 FIBERGLASS CLAD  
 ANCHORING LAYOUTS

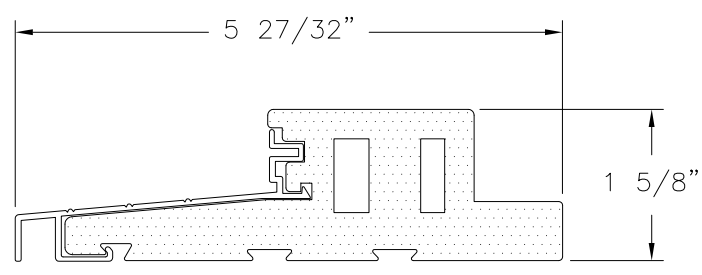
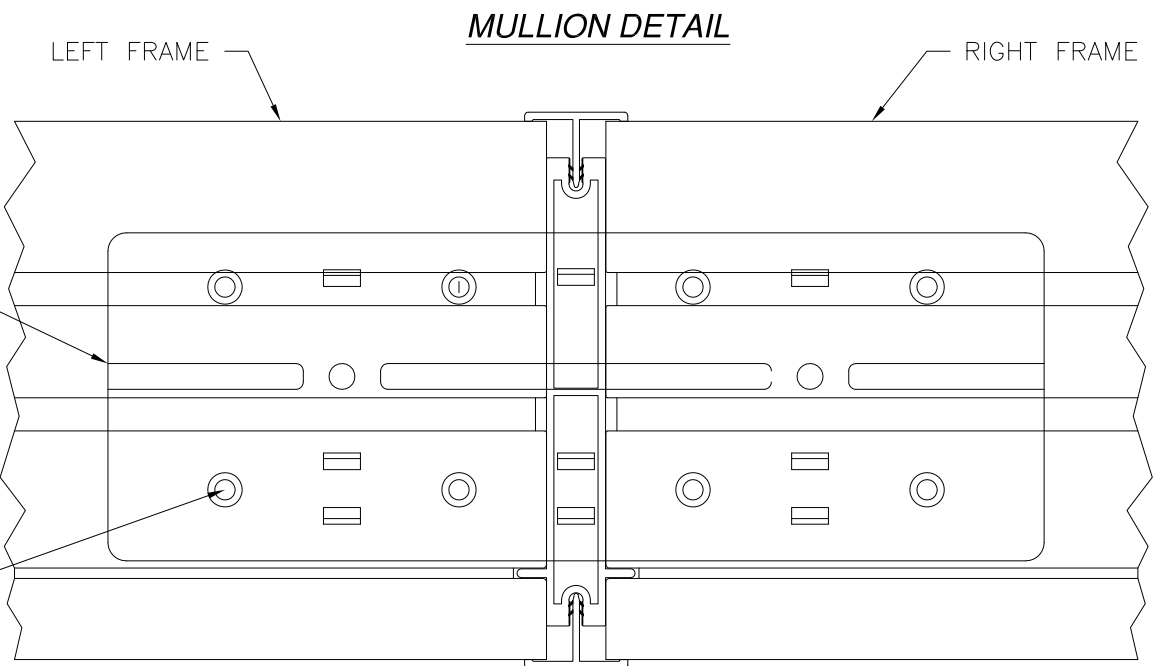
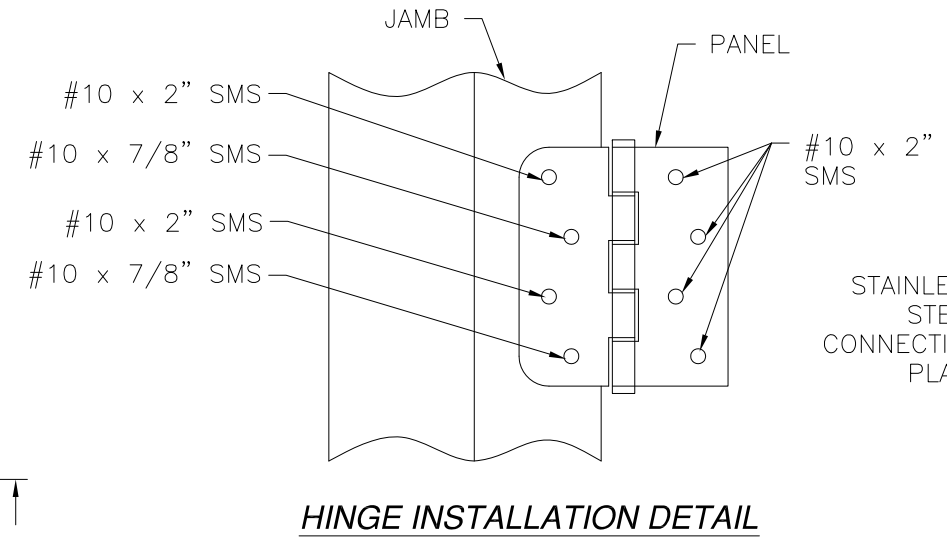
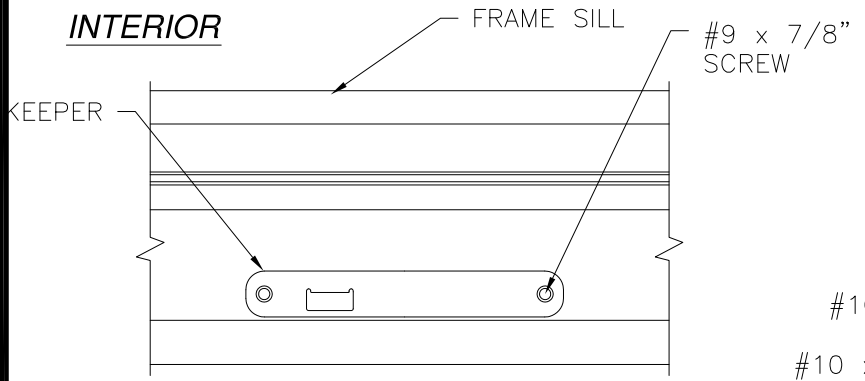
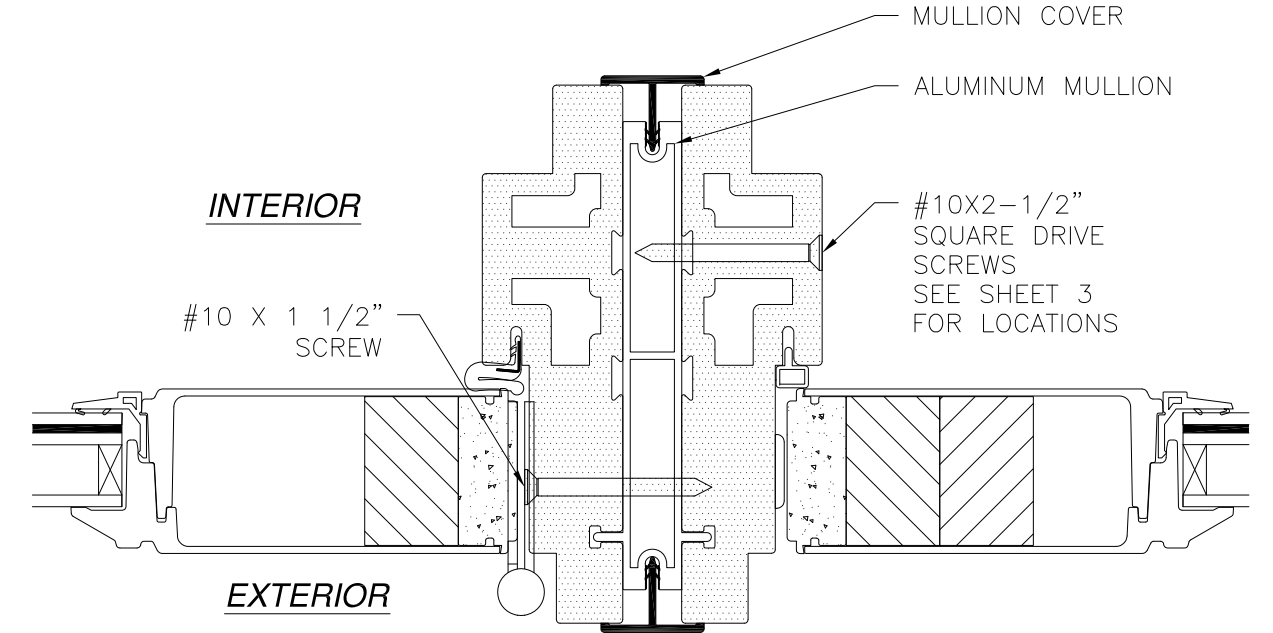
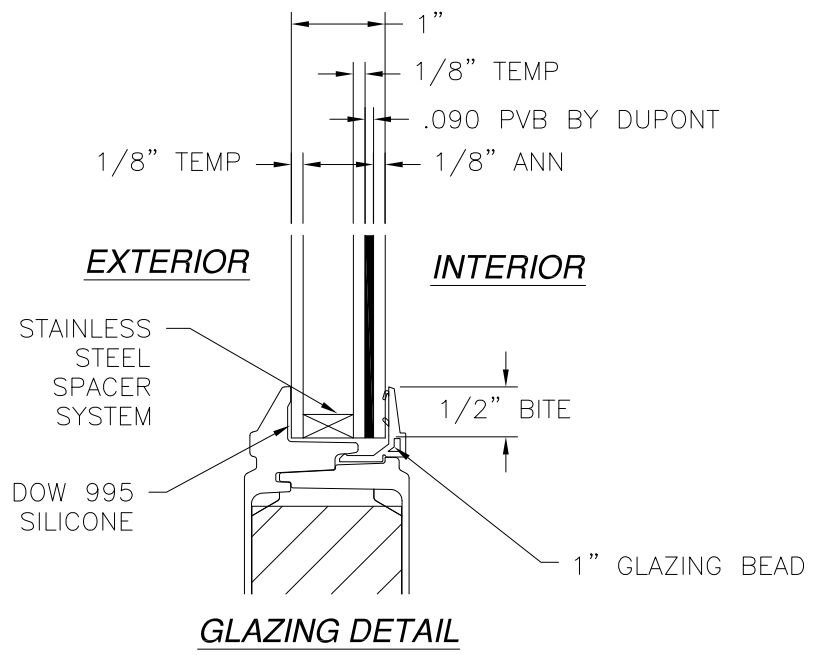
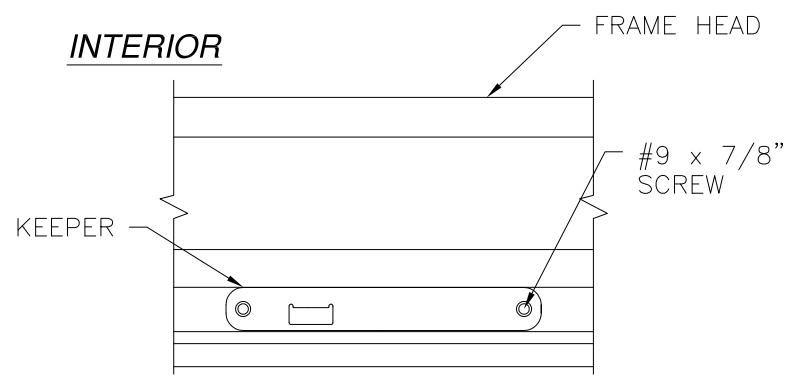
DRAWN: L.M.P	DWG NO. 08-01539	REV B
SCALE NTS	DATE 05/30/2012	SHEET 4 OF 9

SIGNED: 03/20/2014



Luis R. Lomas P.E.  
 TX No. 101889

REVISIONS			
REV	DESCRIPTION	DATE	APPROVED
A	REVISED ANCHOR LOCATION	06/13/12	R.L.
B	REVISED RATING	03/17/14	R.L.



**FRAME CONNECTION DETAIL**

SIGNED: 03/20/2014

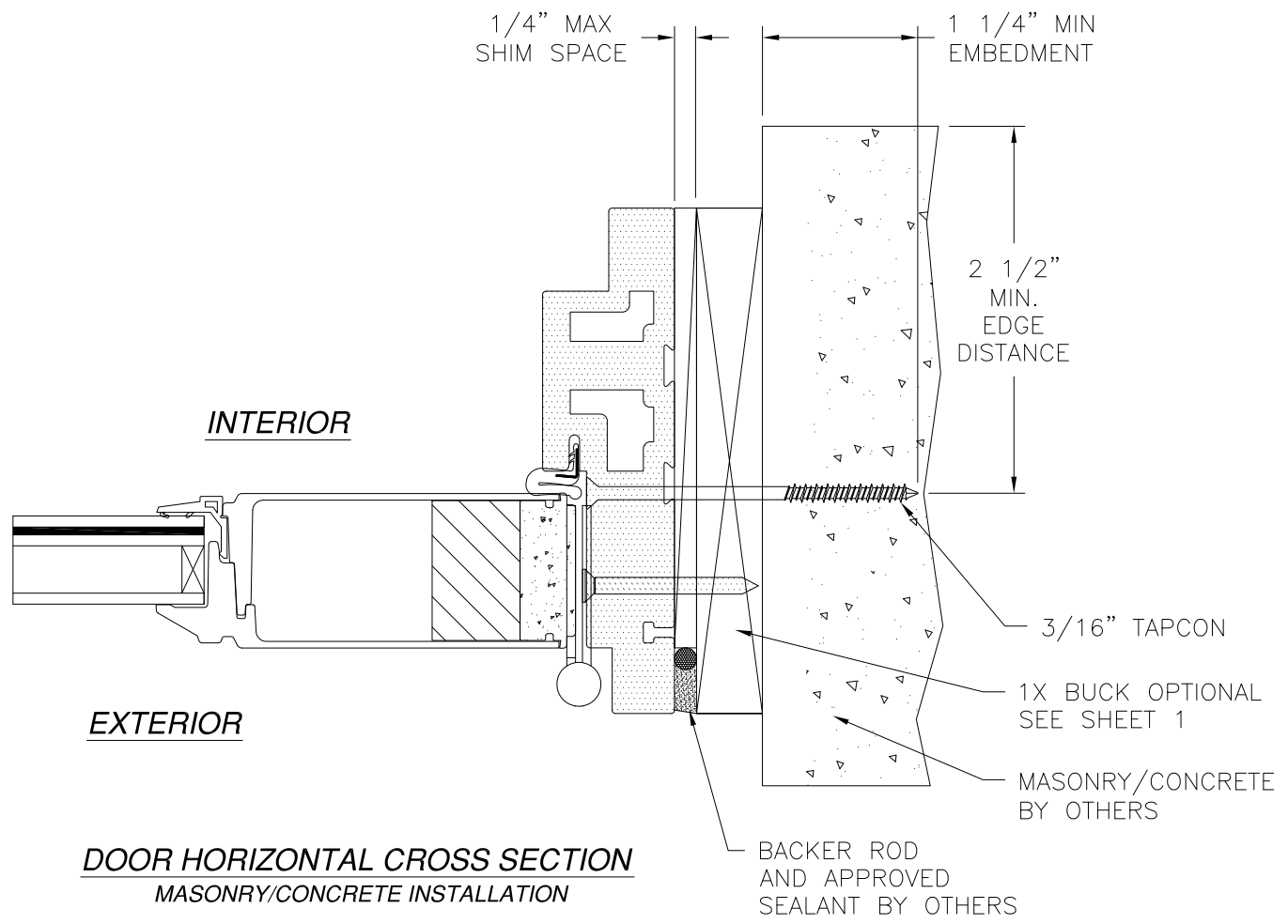
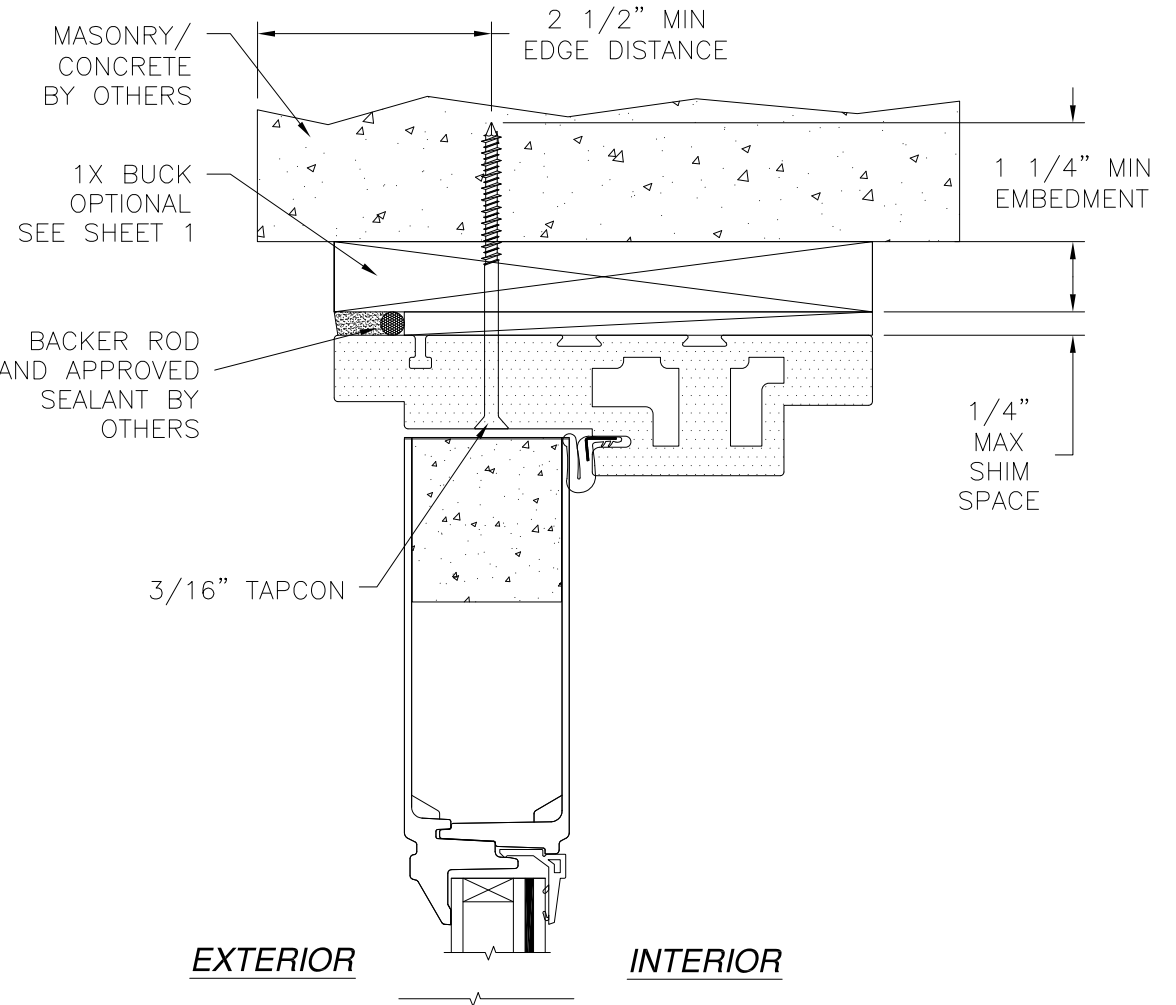
NAN YA PLASTICS CORP. USA  
 8989 NORTH LOOP EAST  
 HOUSTON, TX 77029

OUT-SWING ENTRANCE DOOR W/ & W/O SIDELITES  
 FIBERGLASS CLAD  
 INSTALLATION DETAILS

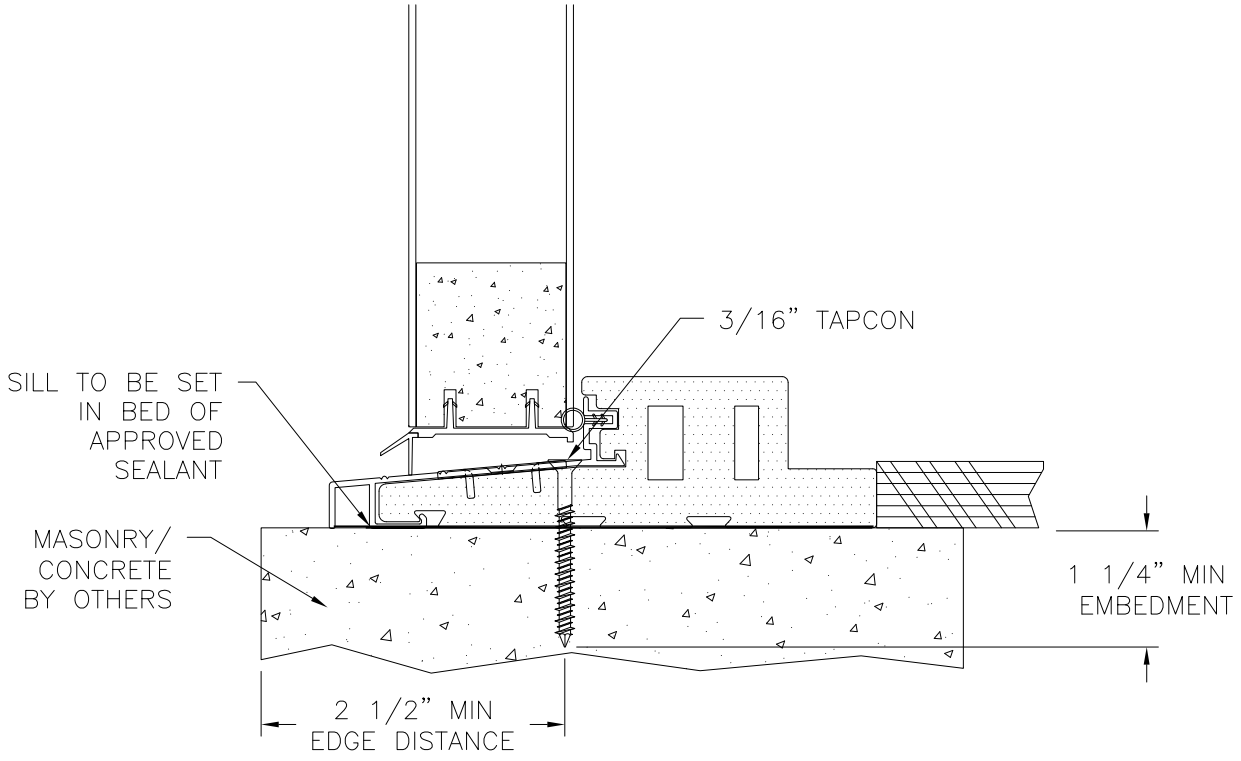
DRAWN: L.M.P	DWG NO. 08-01539	REV B
SCALE NTS	DATE 05/30/2012	SHEET 5 OF 9

Luis R. Lomas P.E.  
 TX No. 101889

REVISIONS			
REV	DESCRIPTION	DATE	APPROVED
A	REVISED ANCHOR LOCATION	06/13/12	R.L.
B	REVISED RATING	03/17/14	R.L.



**NOTE:**  
 INTERIOR AND EXTERIOR FINISHES, BY OTHERS, NOT SHOWN FOR CLARITY.  
 ANCHORS MAY BE INSTALLED INSIDE OR OUTSIDE FRAME



**DOOR VERTICAL CROSS SECTION**  
 MASONRY/CONCRETE INSTALLATION

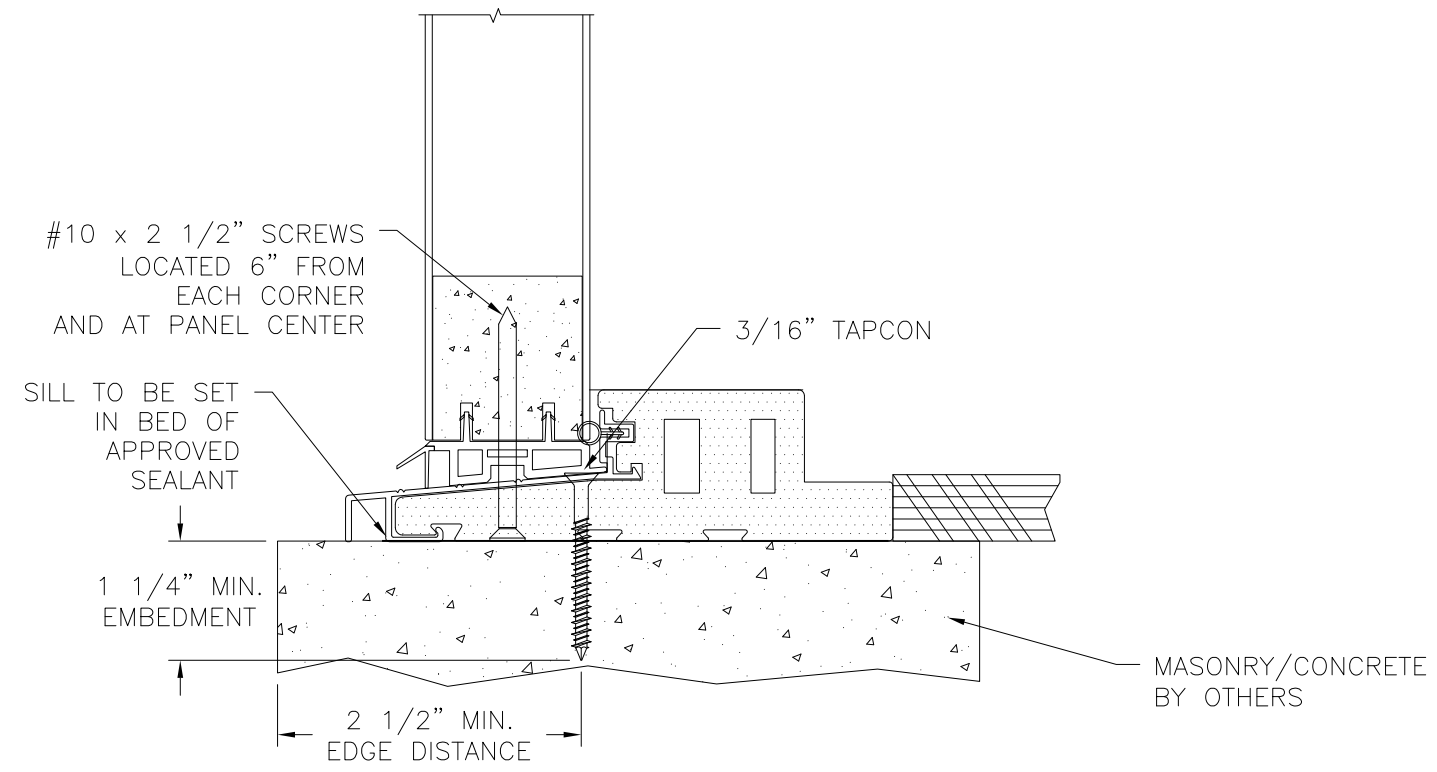
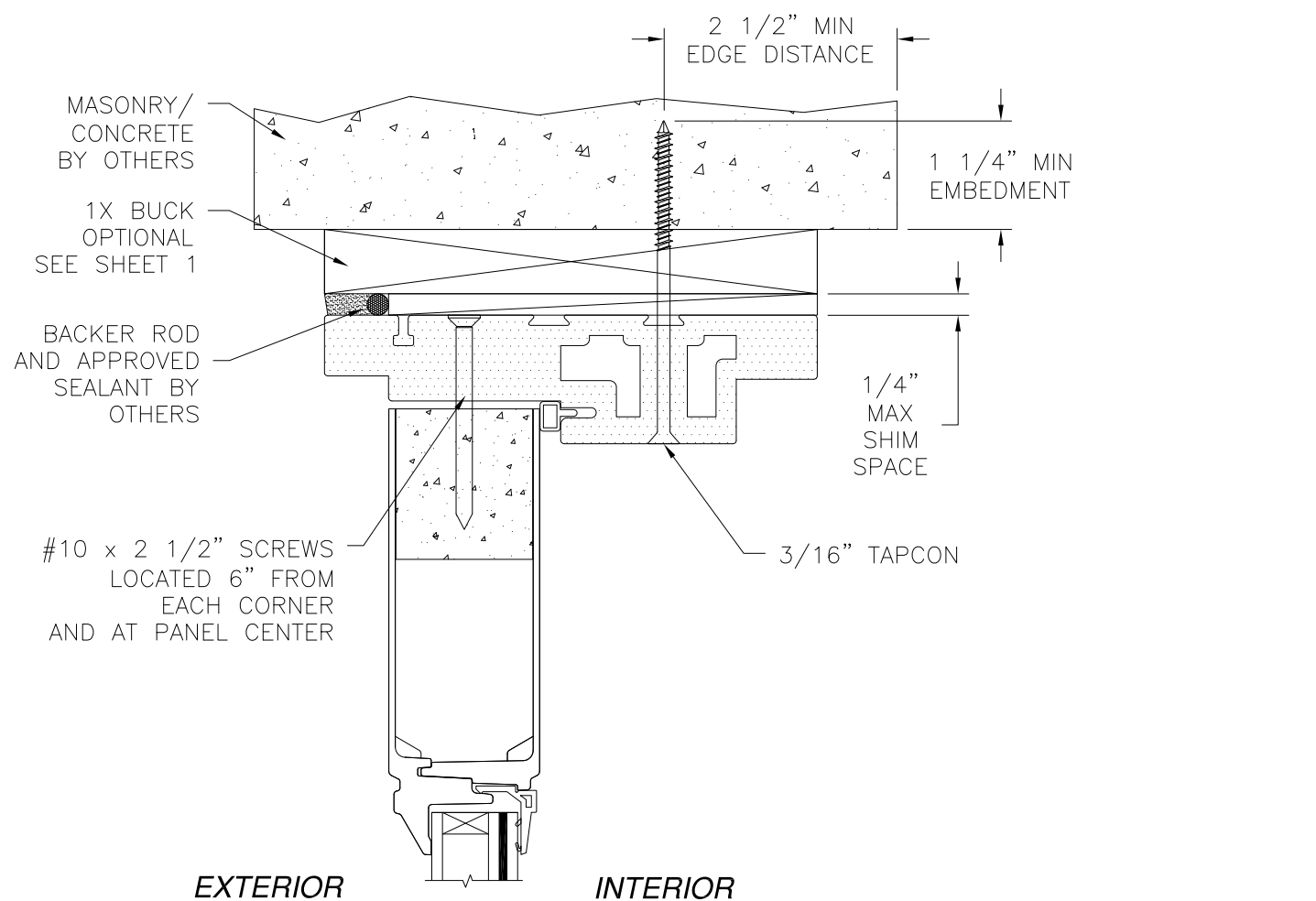
**DOOR HORIZONTAL CROSS SECTION**  
 MASONRY/CONCRETE INSTALLATION

SIGNED: 03/20/2014

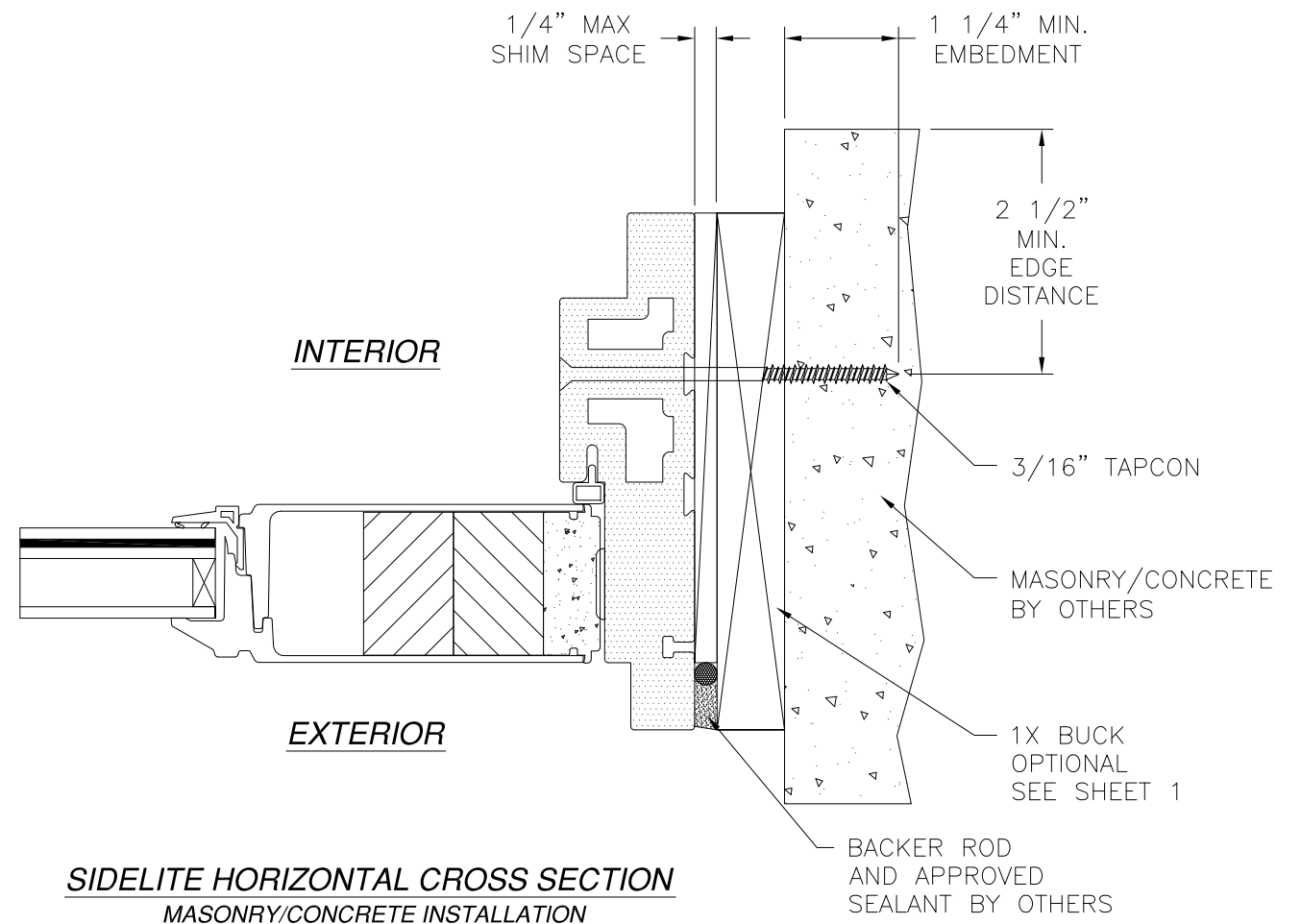
<b>NAN YA PLASTICS CORP. USA</b> 8989 NORTH LOOP EAST HOUSTON, TX 77029		
OUT-SWING ENTRANCE DOOR W/ & W/O SIDELITES FIBERGLASS CLAD INSTALLATION DETAILS		
DRAWN: L.M.P	DWG. NO. 08-01539	REV B
SCALE NTS	DATE 05/30/2012	SHEET 6 OF 9

Luis R. Lomas P.E.  
 TX No. 101889

REVISIONS			
REV	DESCRIPTION	DATE	APPROVED
A	REVISED ANCHOR LOCATION	06/13/12	R.L.
B	REVISED RATING	03/17/14	R.L.



**SIDELITE VERTICAL CROSS SECTION**  
MASONRY/CONCRETE INSTALLATION



**SIDELITE HORIZONTAL CROSS SECTION**  
MASONRY/CONCRETE INSTALLATION

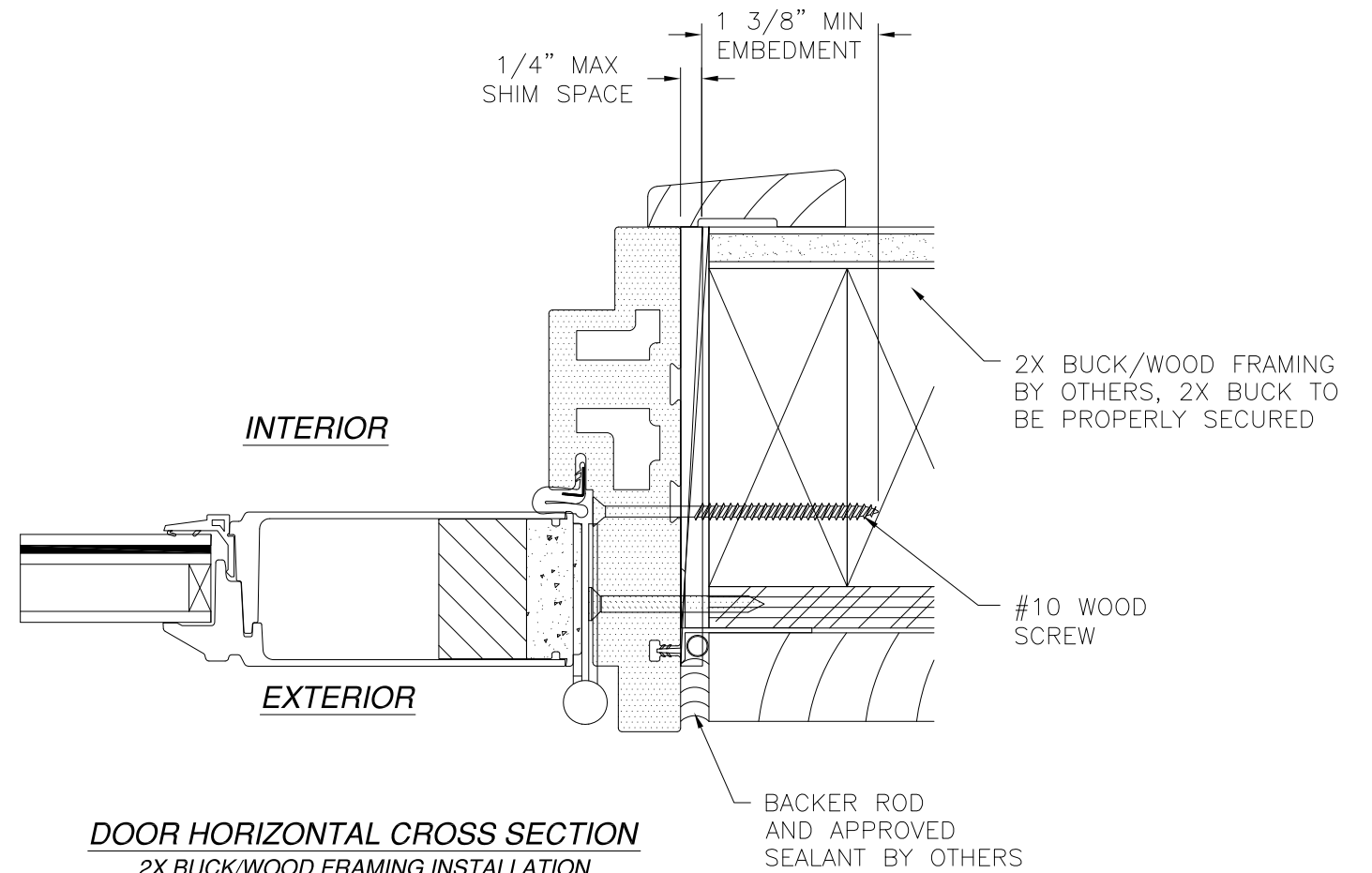
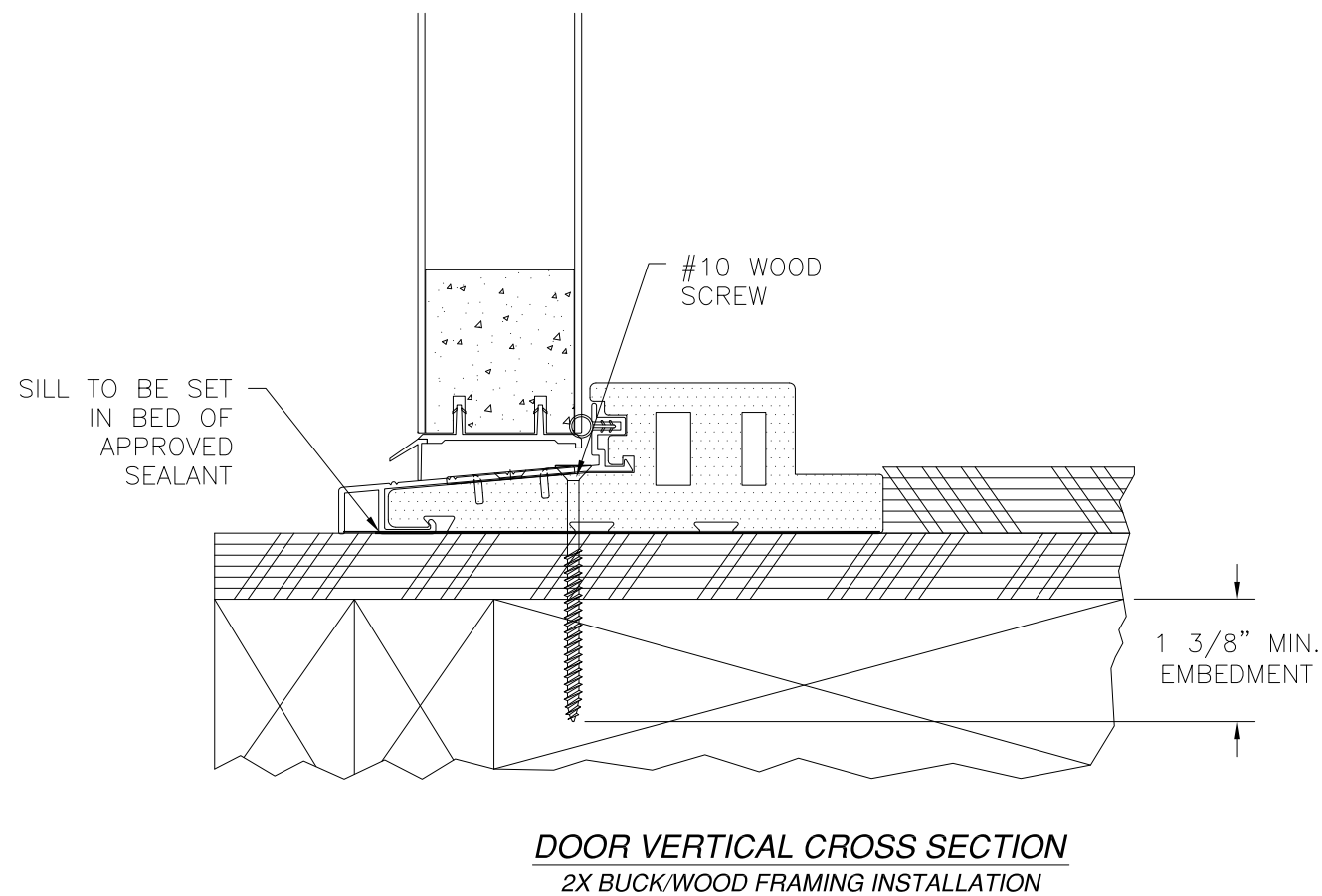
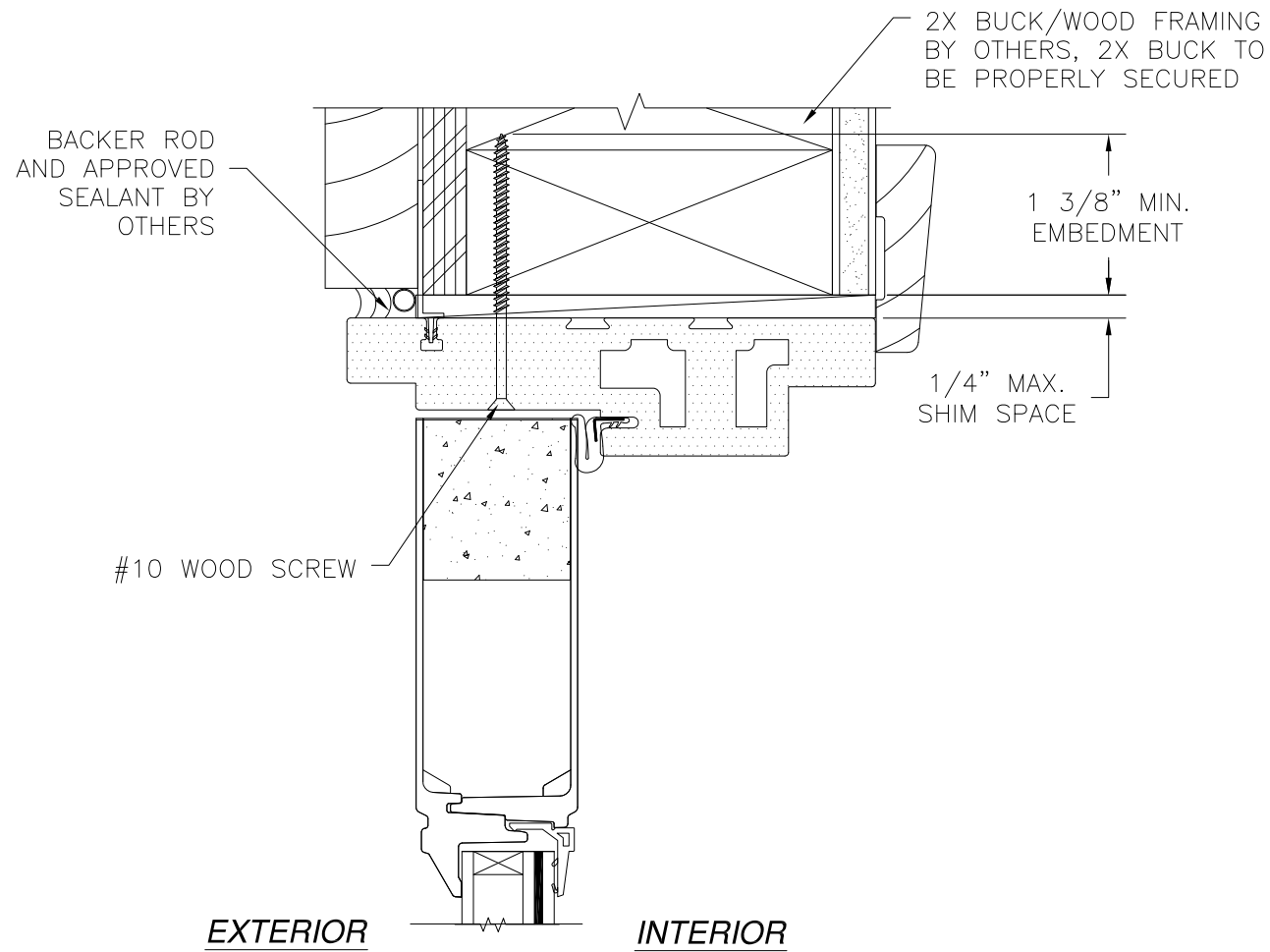
NOTE:  
INTERIOR AND EXTERIOR FINISHES, BY OTHERS, NOT SHOWN FOR CLARITY.

SIGNED: 03/20/2014

<p>NAN YA PLASTICS CORP. USA 8989 NORTH LOOP EAST HOUSTON, TX 77029</p>		
<p>OUT-SWING ENTRANCE DOOR W/ &amp; W/O SIDELITES FIBERGLASS CLAD INSTALLATION DETAILS</p>		
<p>DRAWN: L.M.P</p>	<p>DWG NO. 08-01539</p>	<p>REV B</p>
<p>SCALE NTS</p>	<p>DATE 05/30/2012</p>	<p>SHEET 7 OF 9</p>

Luis R. Lomas P.E.  
TX No. 101889

REVISIONS			
REV	DESCRIPTION	DATE	APPROVED
A	REVISED ANCHOR LOCATION	06/13/12	R.L.
B	REVISED RATING	03/17/14	R.L.



**NOTE:**  
INTERIOR AND EXTERIOR FINISHES, BY OTHERS, NOT SHOWN FOR CLARITY.  
ANCHORS MAY BE INSTALLED INSIDE OR OUTSIDE FRAME

SIGNED: 03/20/2014

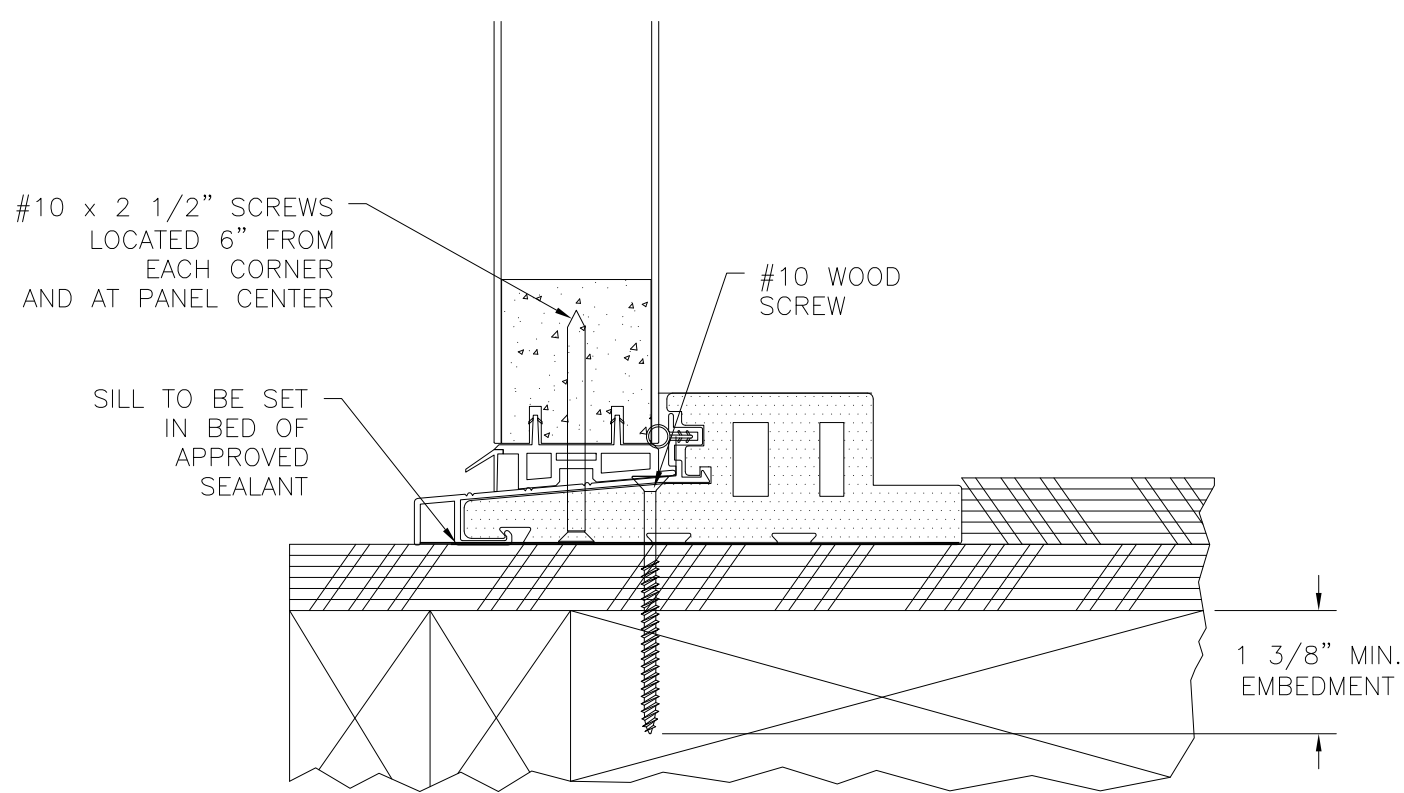
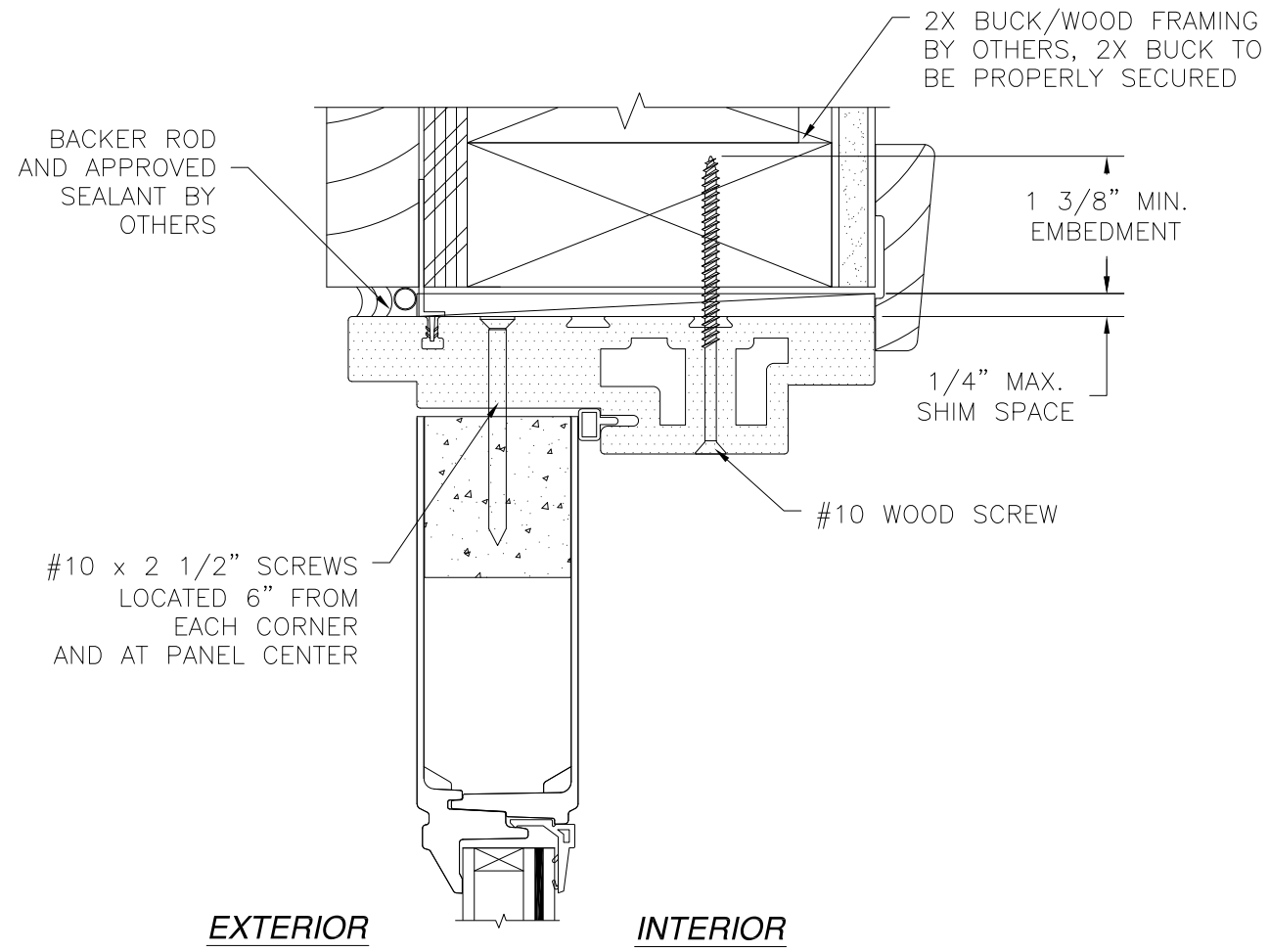
NAN YA PLASTICS CORP. USA 8989 NORTH LOOP EAST HOUSTON, TX 77029		
OUT-SWING ENTRANCE DOOR W/ & W/O SIDELITES FIBERGLASS CLAD INSTALLATION DETAILS		
DRAWN: L.M.P	DWG. NO. 08-01539	REV B
SCALE NTS	DATE 05/30/2012	SHEET 8 OF 9



Luis R. Lomas P.E.  
TX No. 101889



REVISIONS			
REV	DESCRIPTION	DATE	APPROVED
A	REVISED ANCHOR LOCATION	06/13/12	R.L.
B	REVISED RATING	03/17/14	R.L.



**SIDELITE HORIZONTAL CROSS SECTION**  
2X BUCKWOOD FRAMING INSTALLATION

**SIDELITE VERTICAL CROSS SECTION**  
2X BUCK/WOOD FRAMING INSTALLATION

NAN YA PLASTICS CORP. USA  
8989 NORTH LOOP EAST  
HOUSTON, TX 77029

OUT-SWING ENTRANCE DOOR W/ & W/O SIDELITES  
FIBERGLASS CLAD  
INSTALLATION DETAILS

DRAWN: L.M.P	DWG NO. 08-01539	REV B
SCALE NTS	DATE 05/30/2012	SHEET 9 OF 9

SIGNED: 03/20/2014



Luis R. Lomas P.E.  
TX No. 101889