

REVISIONS			
REV	DESCRIPTION	DATE	APPROVED
D	REVISED PER NEW CODE	02/09/2021	R.L.

NOTES:

1. THE PRODUCT SHOWN HEREIN IS DESIGNED AND MANUFACTURED TO COMPLY WITH REQUIREMENTS OF THE 2018 IBC AND 2018 IRC.
2. WOOD FRAMING AND MASONRY OPENING TO BE DESIGNED AND ANCHORED TO PROPERLY TRANSFER ALL LOADS TO STRUCTURE. FRAMING AND MASONRY OPENING IS THE RESPONSIBILITY OF THE ARCHITECT OR ENGINEER OF RECORD.
3. 1X BUCK OVER MASONRY/CONCRETE IS OPTIONAL.
4. WHERE SHIM OR BUCK THICKNESS IS LESS THAN 1-1/2" UNITS MUST BE ANCHORED THROUGH THE FRAME IN ACCORDANCE WITH MANUFACTURER'S PUBLISHED INSTALLATION INSTRUCTIONS. ANCHORS SHALL BE SECURELY FASTENED DIRECTLY INTO MASONRY, CONCRETE OR OTHER STRUCTURAL SUBSTRATE MATERIAL.
5. WHERE WOOD BUCK THICKNESS IS 1-1/2" OR GREATER, BUCK SHALL BE SECURELY FASTENED TO MASONRY, CONCRETE OR OTHER STRUCTURAL SUBSTRATE. UNITS MAY BE ANCHORED THROUGH FRAME TO SECURED WOOD BUCK IN ACCORDANCE WITH MANUFACTURER'S PUBLISHED INSTALLATION INSTRUCTIONS.
6. WHERE 1X BUCK IS NOT USED DISSIMILAR MATERIALS MUST BE SEPARATED WITH APPROVED COATING OR MEMBRANE. SELECTION OF COATING OR MEMBRANE IS THE RESPONSIBILITY OF THE ARCHITECT OR ENGINEER OF RECORD.
7. BUCKS SHALL BE EXTEND BEYOND UNIT FRAME INTERIOR FACE SO THAT FULL FRAME SUPPORT IS PROVIDED.
8. SHIM AS REQUIRED AT EACH INSTALLATION ANCHOR WITH LOAD BEARING SHIM. SHIM WHERE SPACE OF 1/16" OR GREATER OCCURS. MAXIMUM ALLOWABLE SHIM STACK TO BE 1/4".
9. SHIMS SHALL BE LOCATED, APPLIED AND MADE FROM MATERIALS AND THICKNESS CAPABLE OF SUSTAINING APPLICABLE LOADS.
10. WIND LOAD DURATION FACTOR Cd=1.6 WAS USED FOR WOOD ANCHOR CALCULATIONS.
11. UNITS MUST BE GLAZED PER ASTM E1300, SEE SHEET 12 FOR GLASS DETAILS.
12. APPROVED IMPACT PROTECTIVE SYSTEM IS NOT REQUIRED FOR THIS PRODUCT IN WIND BORNE DEBRIS REGIONS.
13. FOR ANCHORING INTO WOOD FRAMING OR 2X BUCK USE #10 WOOD SCREWS WITH SUFFICIENT LENGTH TO ACHIEVE A 1 1/4" MINIMUM EMBEDMENT INTO SUBSTRATE. LOCATE ANCHORS AS SHOWN IN ELEVATIONS AND INSTALLATION DETAILS.

14. FOR ANCHORING INTO MASONRY/CONCRETE USE 3/16" TAPCONS WITH SUFFICIENT LENGTH TO ACHIEVE A 1 3/4" MINIMUM EMBEDMENT INTO SUBSTRATE WITH 1 1/2" MINIMUM EDGE DISTANCE. LOCATE ANCHORS AS SHOWN IN ELEVATIONS AND INSTALLATION DETAILS.
15. FOR ANCHORING INTO METAL STRUCTURE USE #10 SMS OR SELF DRILLING SCREWS WITH SUFFICIENT LENGTH TO ACHIEVE 3 THREADS MINIMUM BEYOND STRUCTURE INTERIOR WALL. LOCATE ANCHORS AS SHOWN IN ELEVATIONS AND INSTALLATION DETAILS.
16. ALL FASTENERS TO BE CORROSION RESISTANT.
17. INSTALLATION ANCHORS SHALL BE INSTALLED IN ACCORDANCE WITH ANCHOR MANUFACTURER'S INSTALLATION INSTRUCTIONS AND ANCHORS SHALL NOT BE USED IN SUBSTRATES WITH STRENGTHS LESS THAN THE MINIMUM STRENGTH SPECIFIED BELOW:
 - A. WOOD – MINIMUM SPECIFIC GRAVITY OF G=0.42
 - B. CONCRETE – MINIMUM COMPRESSIVE STRENGTH OF 3,200 PSI.
 - C. MASONRY – GROUT FILLED BLOCK PER ASTM C90 WITH Fm=2,000PSI MINIMUM.
 - D. METAL STRUCTURE – STEEL 18GA (.048") FY=33KSI/FU=52KSI OR ALUMINUM 6063-T5 FU=30KSI .125" THICK MINIMUM.
18. FRAME JAMB AND HEAD MATERIAL: CO-EXTRUDED PVC FOAM.
19. FRAME SILL MATERIAL: CO-EXTRUDED PVC FOAM WITH ALUMINUM CLADDING
20. DOOR PANEL AND SIDELITE MATERIAL: FIBERGLASS SKIN WITH PVC FOAM TOP AND BOTTOM RAILS, AND PVC FOAM VERTICAL STILES WITH PINE REINFORCEMENTS AND POLYURETHANE FOAM CORE.
21. HINGE LOCATION: 9", 40 7/8" AND 72 1/2" FROM BOTTOM.
22. MAX. PANEL SIZE: 34 1/2" X 80 5/16"

TABLE OF CONTENTS	
SHEET NO.	DESCRIPTION
1	NOTES
2	ELEVATION
3	APPROVED CONFIGURATIONS
4 – 5	ANCHORING LAYOUTS
6 – 12	INSTALLATION DETAILS
13 – 14	COMPONENTS

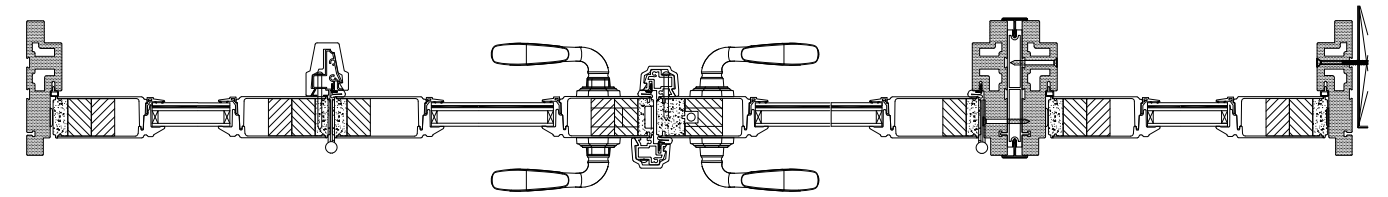
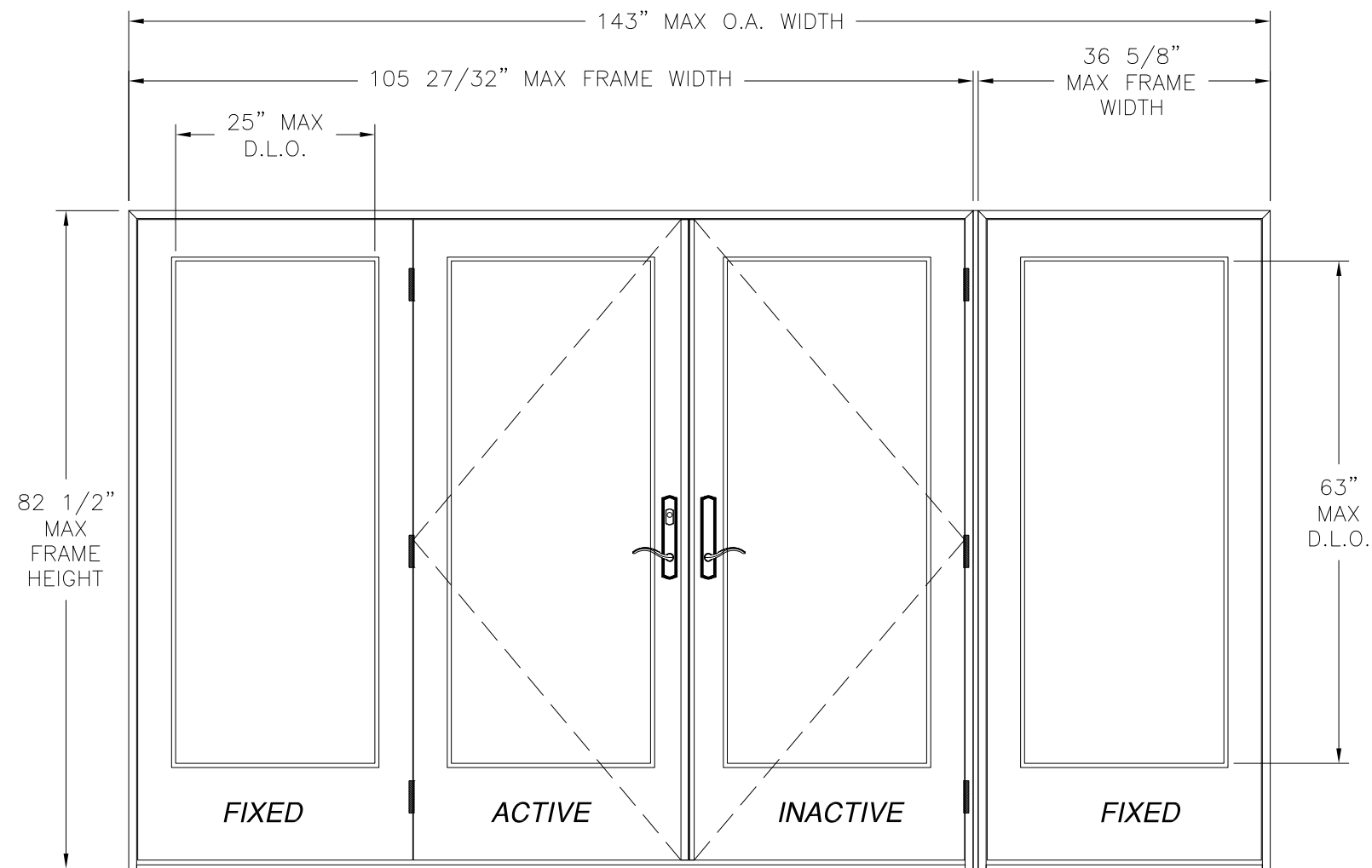
NAN YA PLASTICS CORP. USA 8989 NORTH LOOP EAST HOUSTON, TX 77029		
OUT-SWING ENTRANCE DOOR W/ & W/O SIDELITES FIBERGLASS CLAD NOTES		
DRAWN: L.M.P.	DWG NO. 08-01539	REV D
SCALE NTS	DATE 05/30/12	SHEET 1 OF 14
L. ROBERTO LOMAS P.E. 1432 WOODFORD RD LEWISVILLE, NC 27023 434-688-0609 rllomas@rlomaspe.com		

SIGNED: 10/27/2021



Luis R. Lomas P.E.
TX No. 101889

REVISIONS			
REV	DESCRIPTION	DATE	APPROVED
D	REVISED PER NEW CODE	02/09/2021	R.L.



HORIZONTAL CROSS SECTION

**OUT-SWING ENTRANCE DOUBLE DOOR W/ SIDELITES
FIBERGLASS CLAD
EXTERIOR VIEW**

DESIGN PRESSURE RATING	IMPACT RATING
±70.0PSF	LARGE AND SMALL MISSILE IMPACT

MISSILE LEVEL D, WIND ZONE 4

HARDWARE SCHEDULE

A.	(3) 4" LONG FLUSH MOUNT METALLIC BUTT HINGE, 9", 40 7/8" AND 72 1/2" FROM BOTTOM AT LEFT PANEL HINGE STILE
B.	(3) 4" LONG FLUSH MOUNT METALLIC BUTT HINGE, 9", 40 7/8" AND 72 1/2" FROM BOTTOM AT RIGHT PANEL HINGE STILE
C.	(1) SURFACE MOUNT METALLIC TWO POINT LOCK SYSTEM, 37" FROM BOTTOM AT INACTIVE PANEL LOCKSTILE
D.	(1) SURFACE MOUNT METALLIC FOUR POINT LOCK SYSTEM, 37" FROM BOTTOM AT ACTIVE PANEL LOCKSTILE
E.	(2) SURFACE MOUNT METALLIC STRIKE PLATE, 70" FROM LEFT AT FRAME HEAD AND THRESHOLD
F.	(2) SURFACE MOUNT METALLIC STRIKE PLATE, 6 1/4" AND 75 1/4" FROM BOTTOM AT INACTIVE PANEL LOCKSTILE
G.	(1) SURFACE MOUNT METALLIC STRIKE PLATE, 39 3/8" FROM BOTTOM AT INACTIVE PANEL LOCKSTILE
H.	(1) 79 3/4" LONG ALUMINUM REINFORCEMENT INSIDE ACTIVE PANEL ASTRAGAL ADAPTER
I.	(1) 79 3/8" LONG ALUMINUM REINFORCEMENT INSIDE INTERMEDIATE FRAME MEMBER
J.	(1) 78 3/4" LONG ALUMINUM REINFORCEMENT INSIDE INACTIVE PANEL ASTRAGAL ADAPTER
K.	(1) 20" LONG WOOD REINFORCEMENT INSIDE ACTIVE PANEL AT LOCK LOCATION
L.	(1) 20" LONG WOOD REINFORCEMENT INSIDE EACH SIDELITE PANEL JAMB STILE AT MIDSPAN
M.	(1) 33 1/4" LONG WOOD REINFORCEMENT INSIDE EACH SIDELITE PANEL TOP RAIL
N.	(1) 34" LONG WOOD REINFORCEMENT INSIDE THE ACTIVE PANEL TOP RAIL
O.	(1) 33 3/8" LONG WOOD REINFORCEMENT INSIDE INACTIVE PANEL TOP RAIL

SIGNED: 10/27/2021

NAN YA PLASTICS CORP. USA
8989 NORTH LOOP EAST
HOUSTON, TX 77029

OUT-SWING ENTRANCE DOOR W/ & W/O SIDELITES
FIBERGLASS CLAD
ELEVATIONS

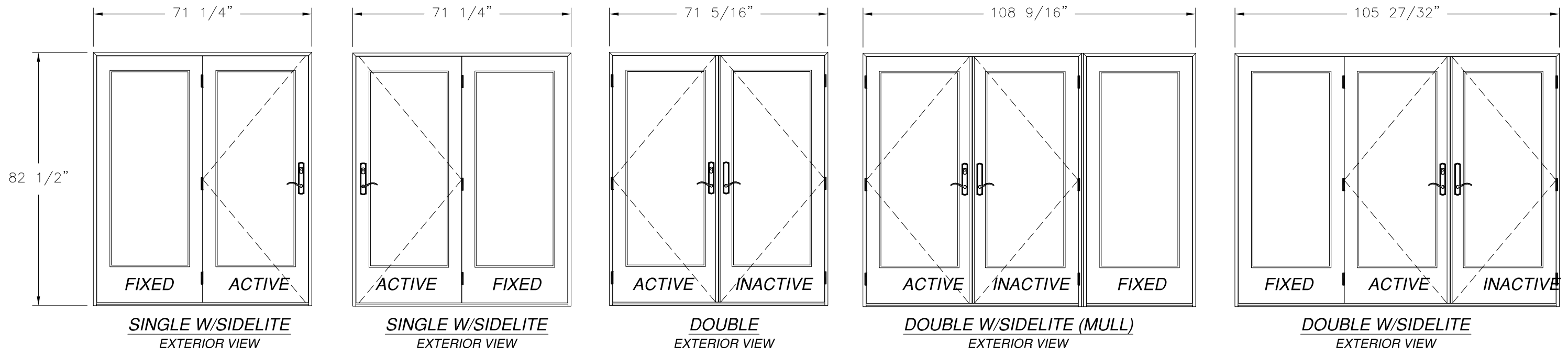
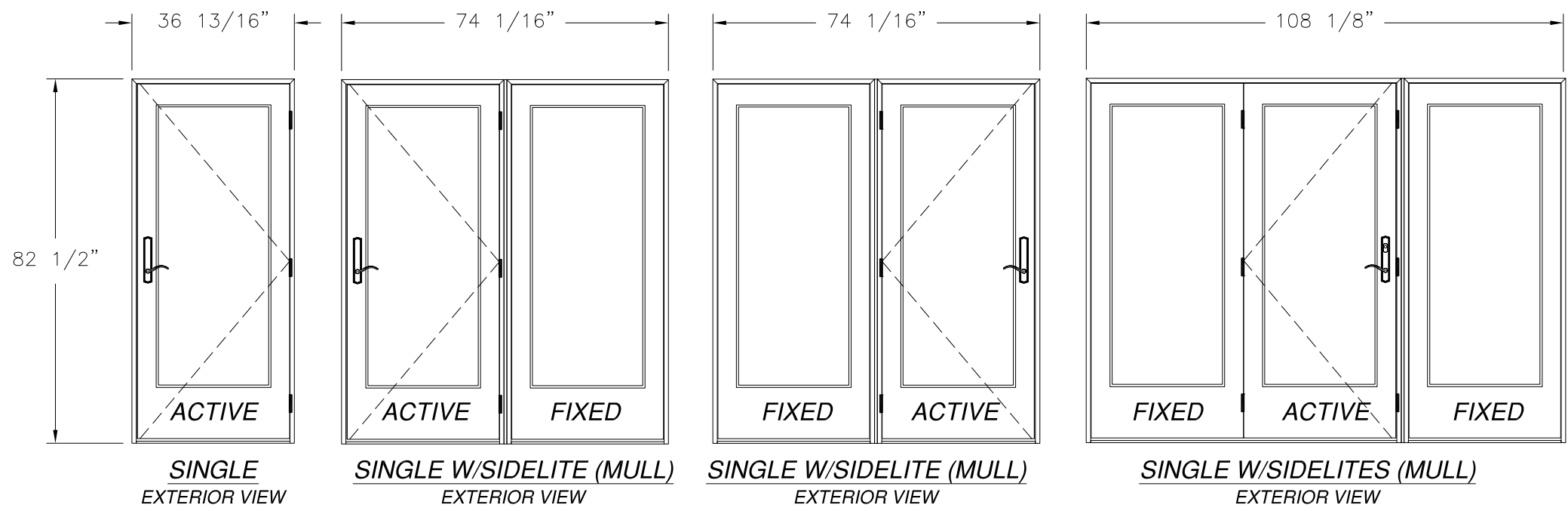
DRAWN: L.M.P.	DWG NO. 08-01539	REV D
SCALE NTS	DATE 05/30/12	SHEET 2 OF 14

L. ROBERTO LOMAS P.E.
1432 WOODFORD RD LEWISVILLE, NC 27023
434-688-0609 rllomas@rlomaspe.com



Luis R. Lomas P.E.
TX No. 101889

REVISIONS			
REV	DESCRIPTION	DATE	APPROVED
D	REVISED PER NEW CODE	02/09/2021	R.L.



SIGNED: 10/27/2021

NAN YA PLASTICS CORP. USA
 8989 NORTH LOOP EAST
 HOUSTON, TX 77029

OUT-SWING ENTRANCE DOOR W/ & W/O SIDELITES
 FIBERGLASS CLAD
 APPROVED CONFIGURATIONS

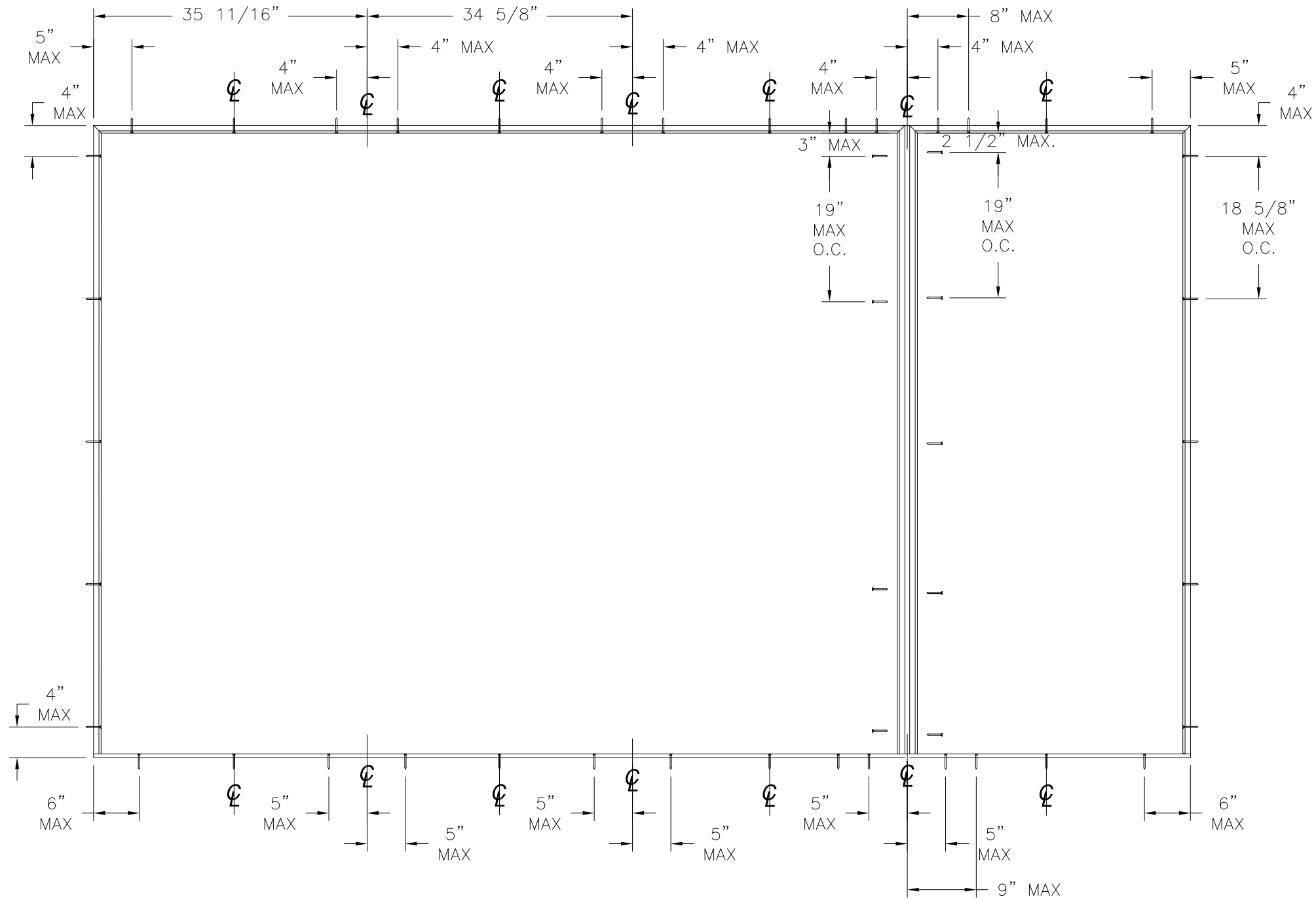
DRAWN: L.M.P.	DWG NO. 08-01539	REV D
SCALE NTS	DATE 05/30/12	SHEET 3 OF 14

L. ROBERTO LOMAS P.E.
 1432 WOODFORD RD LEWISVILLE, NC 27023
 434-688-0609 rllomas@rlomaspe.com



Luis R. Lomas P.E.
 TX No. 101889

REVISIONS			
REV	DESCRIPTION	DATE	APPROVED
D	REVISED PER NEW CODE	02/09/2021	R.L.



ANCHORING LAYOUT

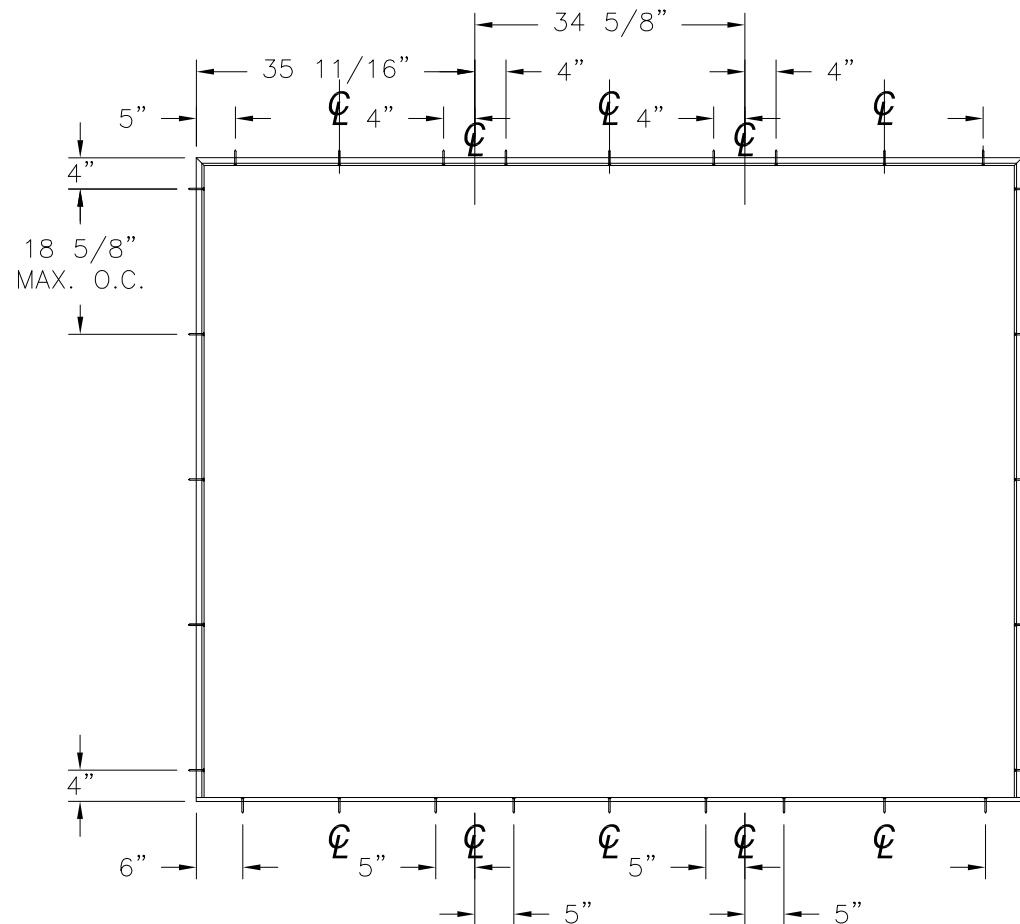
SIGNED: 10/27/2021

NAN YA PLASTICS CORP. USA 8989 NORTH LOOP EAST HOUSTON, TX 77029		
OUT-SWING ENTRANCE DOOR W/ & W/O SIDELITES FIBERGLASS CLAD ANCHORING LAYOUT		
DRAWN: L.M.P.	DWG NO. 08-01539	REV D
SCALE NTS	DATE 05/30/12	SHEET 4 OF 14
L. ROBERTO LOMAS P.E. 1432 WOODFORD RD LEWISVILLE, NC 27023 434-688-0609 rllomas@rlomaspe.com		

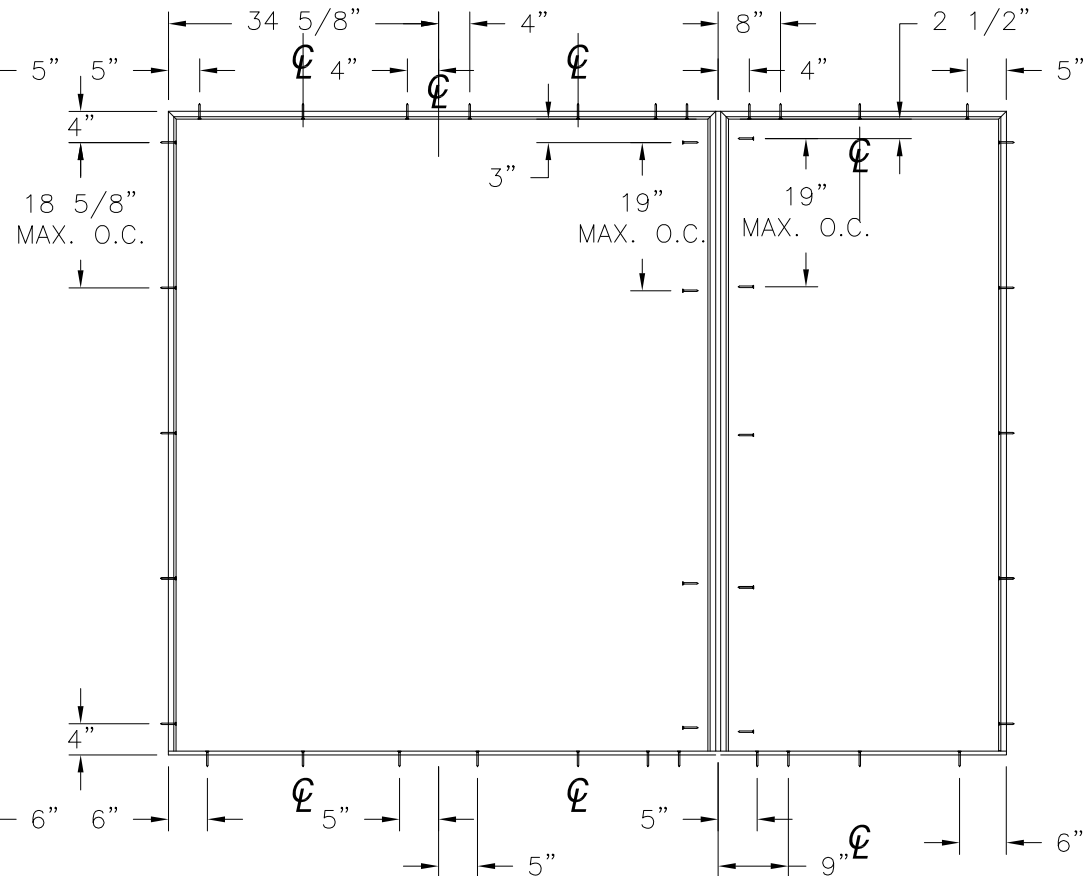


Luis R. Lomas P.E.
TX No. 101889

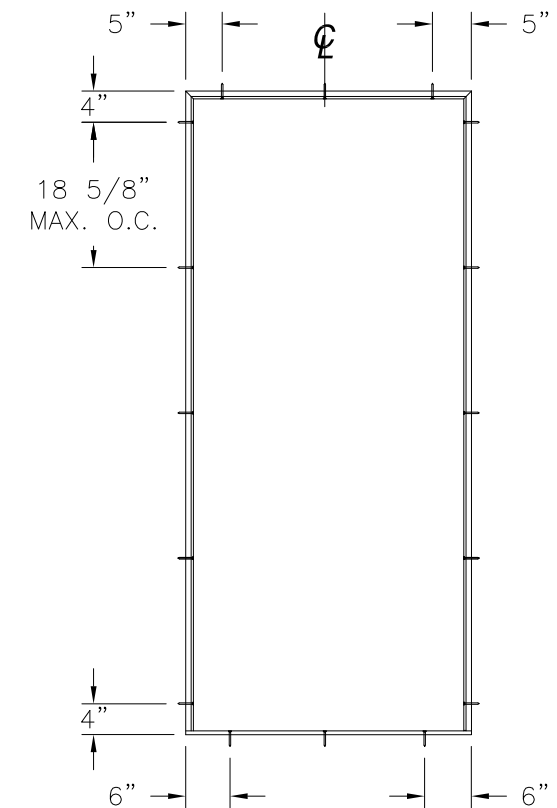
REVISIONS			
REV	DESCRIPTION	DATE	APPROVED
D	REVISED PER NEW CODE	02/09/2021	R.L.



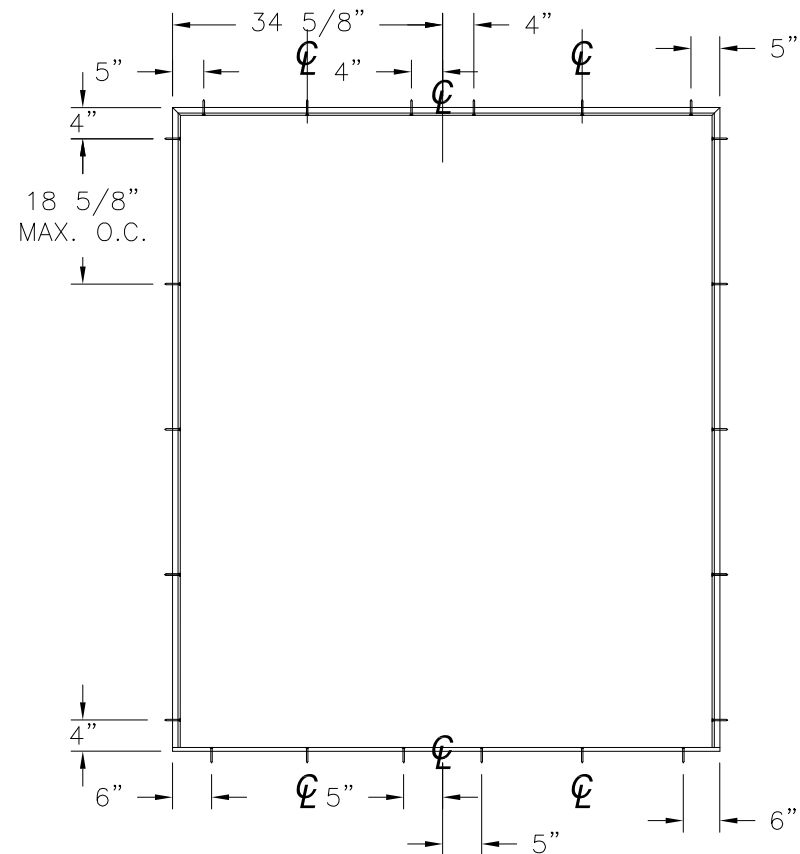
ANCHORING LAYOUT FOR OXO, XXO AND OXX



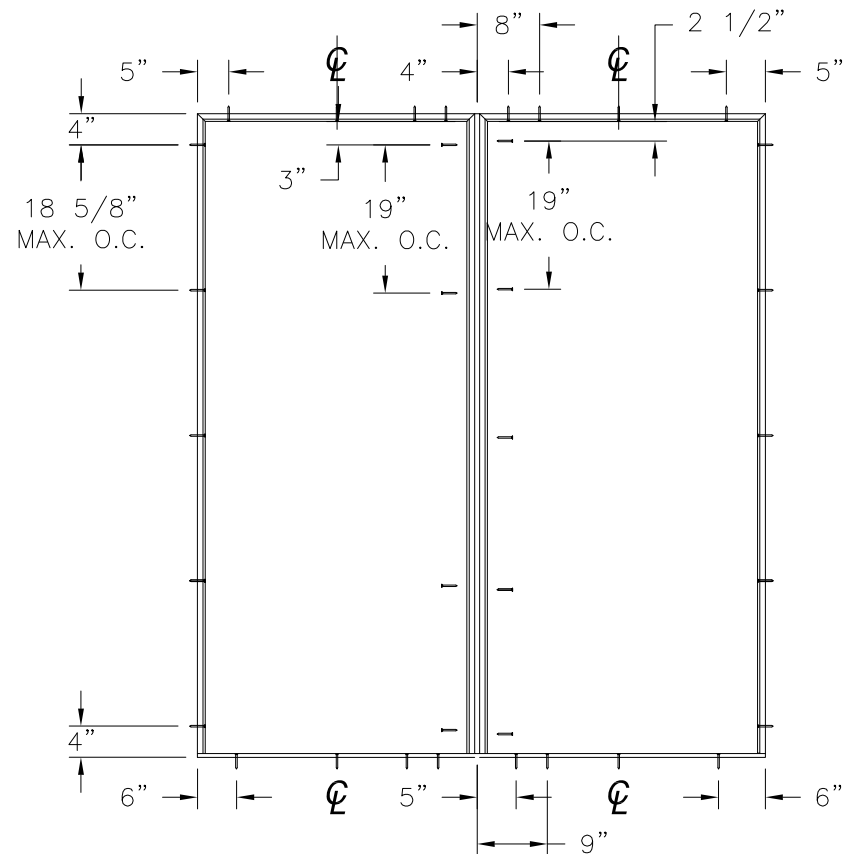
ANCHORING LAYOUT FOR OXO, XXO AND OXX (MULL)



ANCHORING LAYOUT FOR X



ANCHORING LAYOUT FOR XX, OX AND XO



ANCHORING LAYOUT FOR OX AND XO (MULL)

NAN YA PLASTICS CORP. USA
 8989 NORTH LOOP EAST
 HOUSTON, TX 77029

OUT-SWING ENTRANCE DOOR W/ & W/O SIDELITES
 FIBERGLASS CLAD
 ANCHORING LAYOUTS

DRAWN: L.M.P.	DWG NO. 08-01539	REV D
SCALE NTS	DATE 05/30/12	SHEET 5 OF 14

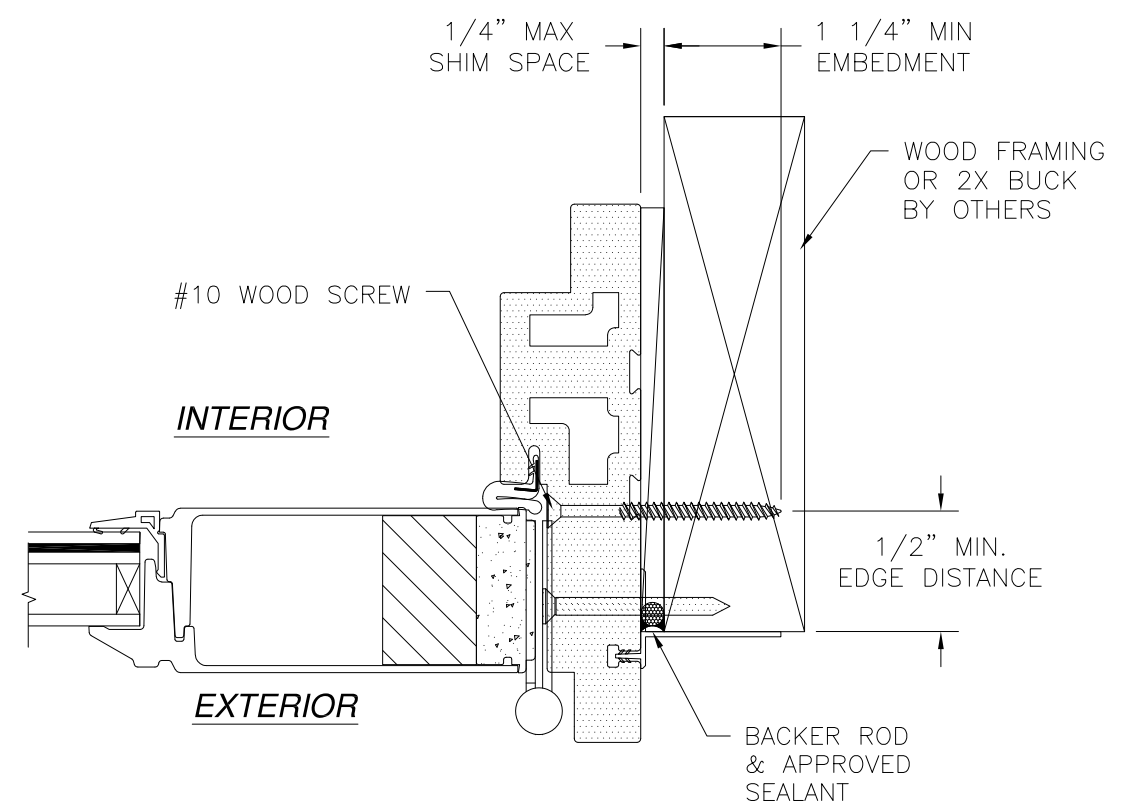
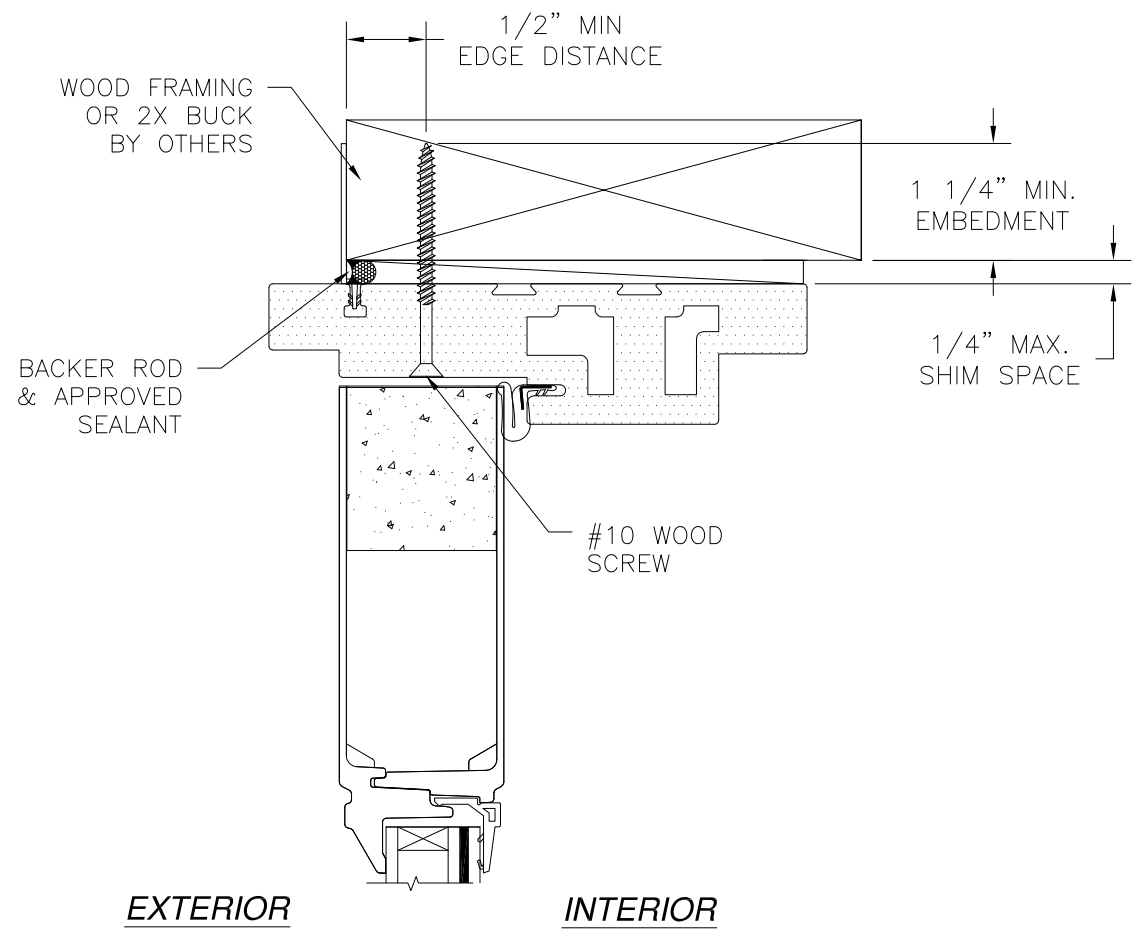
L. ROBERTO LOMAS P.E.
 1432 WOODFORD RD LEWISVILLE, NC 27023
 434-688-0609 rllomas@rlomaspe.com

SIGNED: 10/27/2021

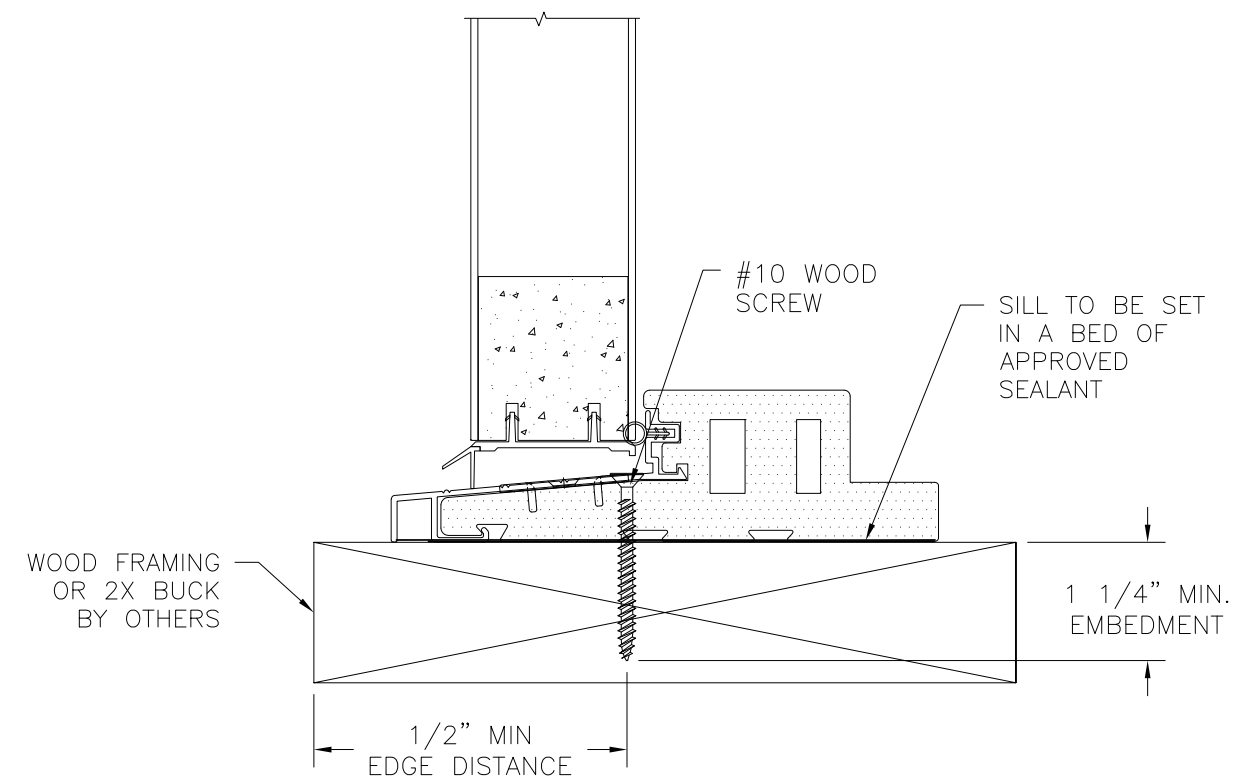


Luis R. Lomas P.E.
 TX No. 101889

REVISIONS			
REV	DESCRIPTION	DATE	APPROVED
D	REVISED PER NEW CODE	02/09/2021	R.L.



DOOR HORIZONTAL CROSS SECTION
2X BUCK/WOOD FRAMING INSTALLATION



DOOR VERTICAL CROSS SECTION
2X BUCK/WOOD FRAMING INSTALLATION

- NOTES:**
1. INTERIOR AND EXTERIOR FINISHES, BY OTHERS, NOT SHOWN FOR CLARITY.
 2. PERIMETER AND JOINT SEALANT BY OTHERS TO BE DESIGNED IN ACCORDANCE WITH ASTM E2112

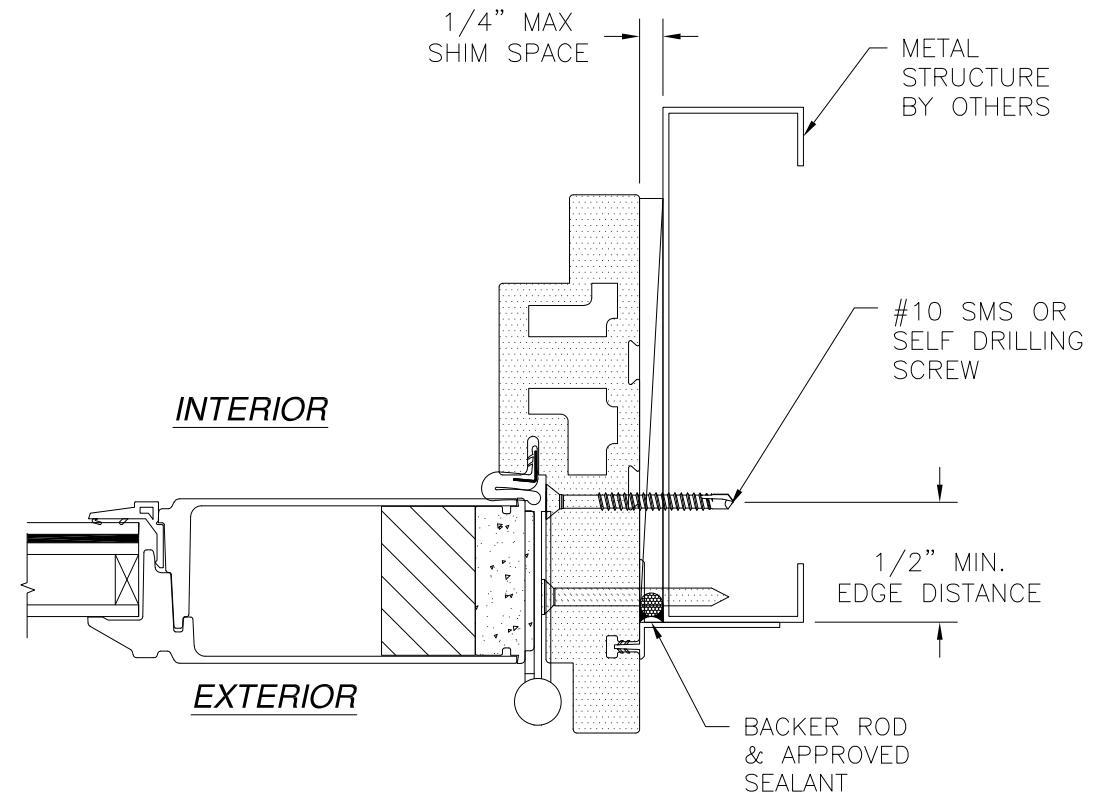
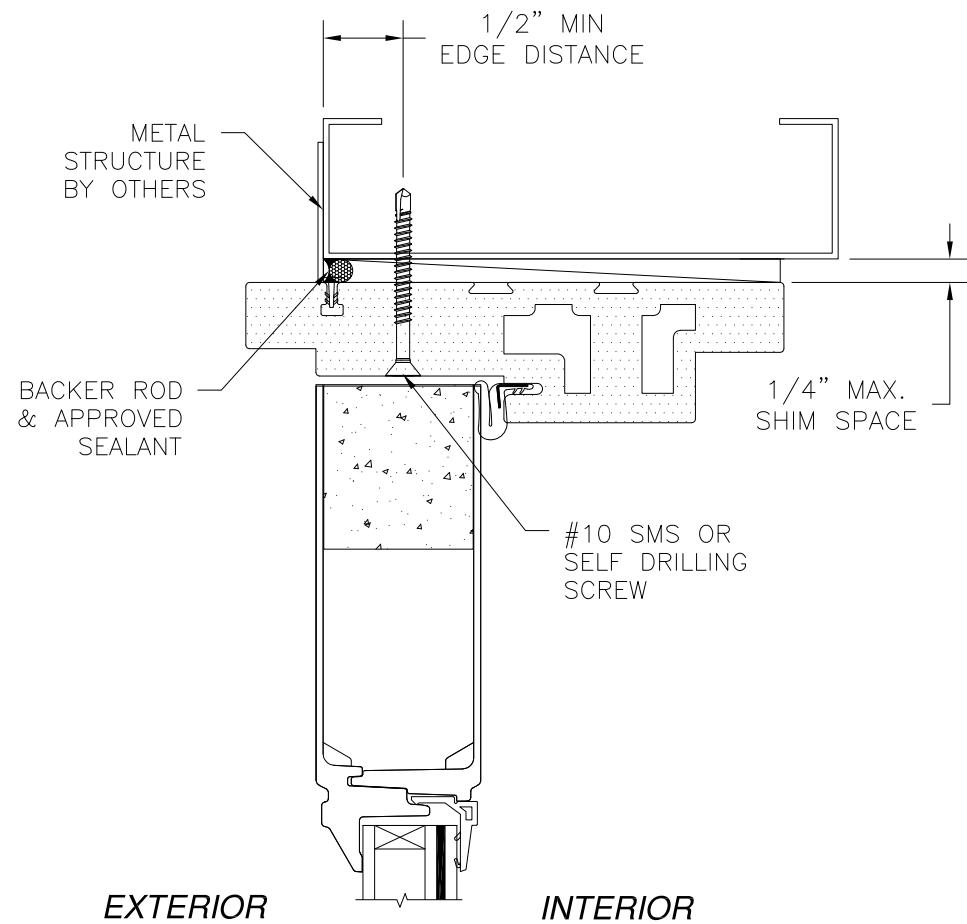
SIGNED: 10/27/2021

<p>NAN YA PLASTICS CORP. USA 8989 NORTH LOOP EAST HOUSTON, TX 77029</p>		
<p>OUT-SWING ENTRANCE DOOR W/ & W/O SIDELITES FIBERGLASS CLAD INSTALLATION DETAILS</p>		
DRAWN: L.M.P.	DWG NO. 08-01539	REV D
SCALE NTS	DATE 05/30/12	SHEET 6 OF 14
<p>L. ROBERTO LOMAS P.E. 1432 WOODFORD RD LEWISVILLE, NC 27023 434-688-0609 rllomas@rlomaspe.com</p>		



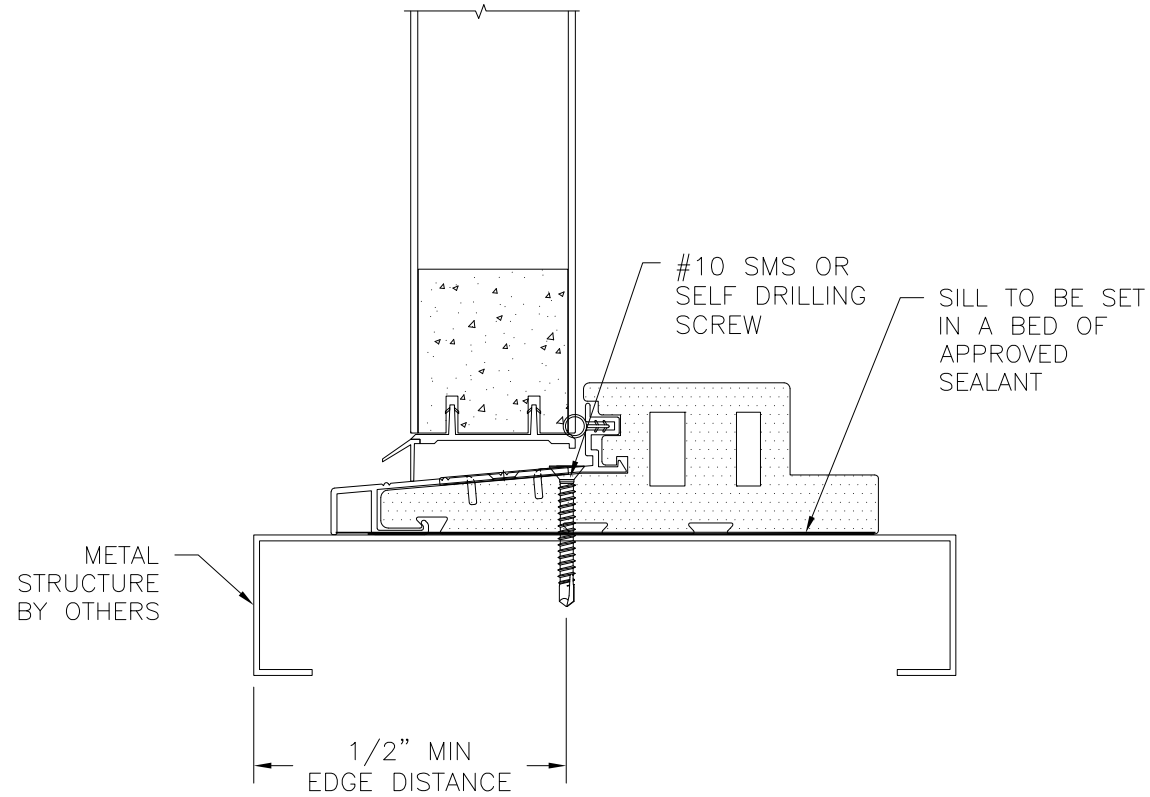
Luis R. Lomas P.E.
TX No. 101889

REVISIONS			
REV	DESCRIPTION	DATE	APPROVED
D	REVISED PER NEW CODE	02/09/2021	R.L.



DOOR HORIZONTAL CROSS SECTION
METAL STRUCTURE INSTALLATION

- NOTES:**
1. INTERIOR AND EXTERIOR FINISHES, BY OTHERS, NOT SHOWN FOR CLARITY.
 2. PERIMETER AND JOINT SEALANT BY OTHERS TO BE DESIGNED IN ACCORDANCE WITH ASTM E2112



DOOR VERTICAL CROSS SECTION
METAL STRUCTURE INSTALLATION

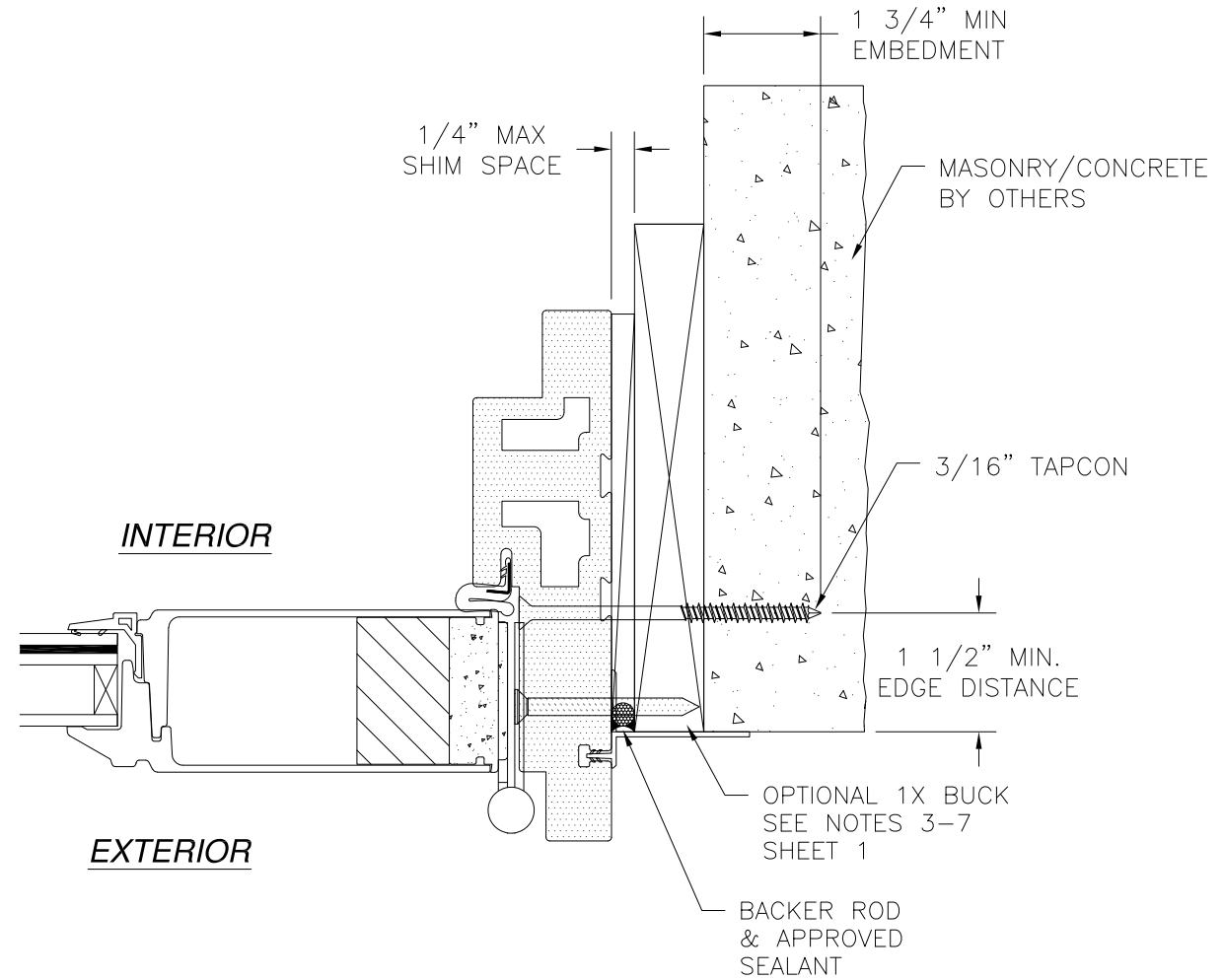
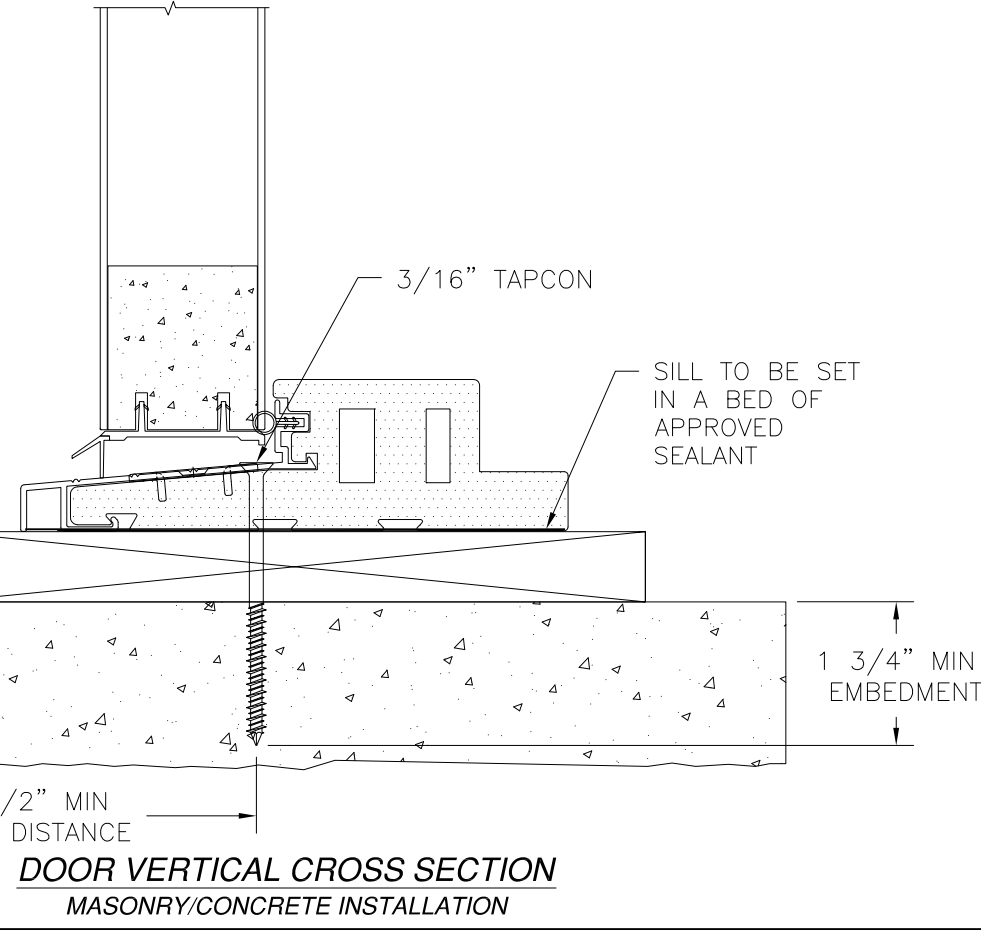
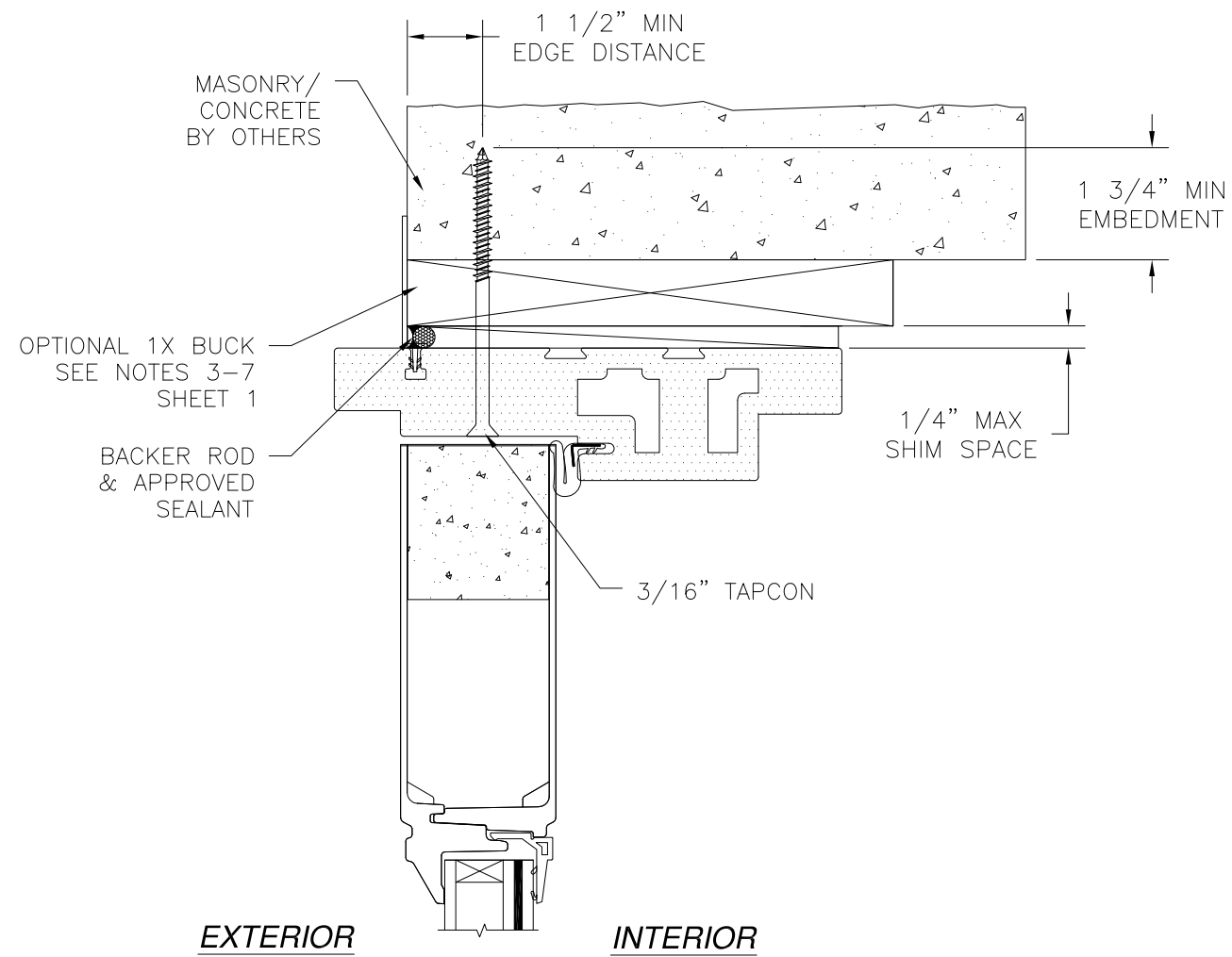
SIGNED: 10/27/2021

<p>NAN YA PLASTICS CORP. USA 8989 NORTH LOOP EAST HOUSTON, TX 77029</p>		
<p>OUT-SWING ENTRANCE DOOR W/ & W/O SIDELITES FIBERGLASS CLAD INSTALLATION DETAILS</p>		
<p>DRAWN: L.M.P.</p>	<p>DWG NO. 08-01539</p>	<p>REV D</p>
<p>SCALE NTS</p>	<p>DATE 05/30/12</p>	<p>SHEET 7 OF 14</p>
<p>L. ROBERTO LOMAS P.E. 1432 WOODFORD RD LEWISVILLE, NC 27023 434-688-0609 rllomas@rlomaspe.com</p>		



Luis R. Lomas P.E.
TX No. 101889

REVISIONS			
REV	DESCRIPTION	DATE	APPROVED
D	REVISED PER NEW CODE	02/09/2021	R.L.



DOOR HORIZONTAL CROSS SECTION
MASONRY/CONCRETE INSTALLATION

- NOTES:**
1. INTERIOR AND EXTERIOR FINISHES, BY OTHERS, NOT SHOWN FOR CLARITY.
 2. PERIMETER AND JOINT SEALANT BY OTHERS TO BE DESIGNED IN ACCORDANCE WITH ASTM E2112

SIGNED: 10/27/2021

NAN YA PLASTICS CORP. USA
8989 NORTH LOOP EAST
HOUSTON, TX 77029

OUT-SWING ENTRANCE DOOR W/ & W/O SIDELITES
FIBERGLASS CLAD
INSTALLATION DETAILS

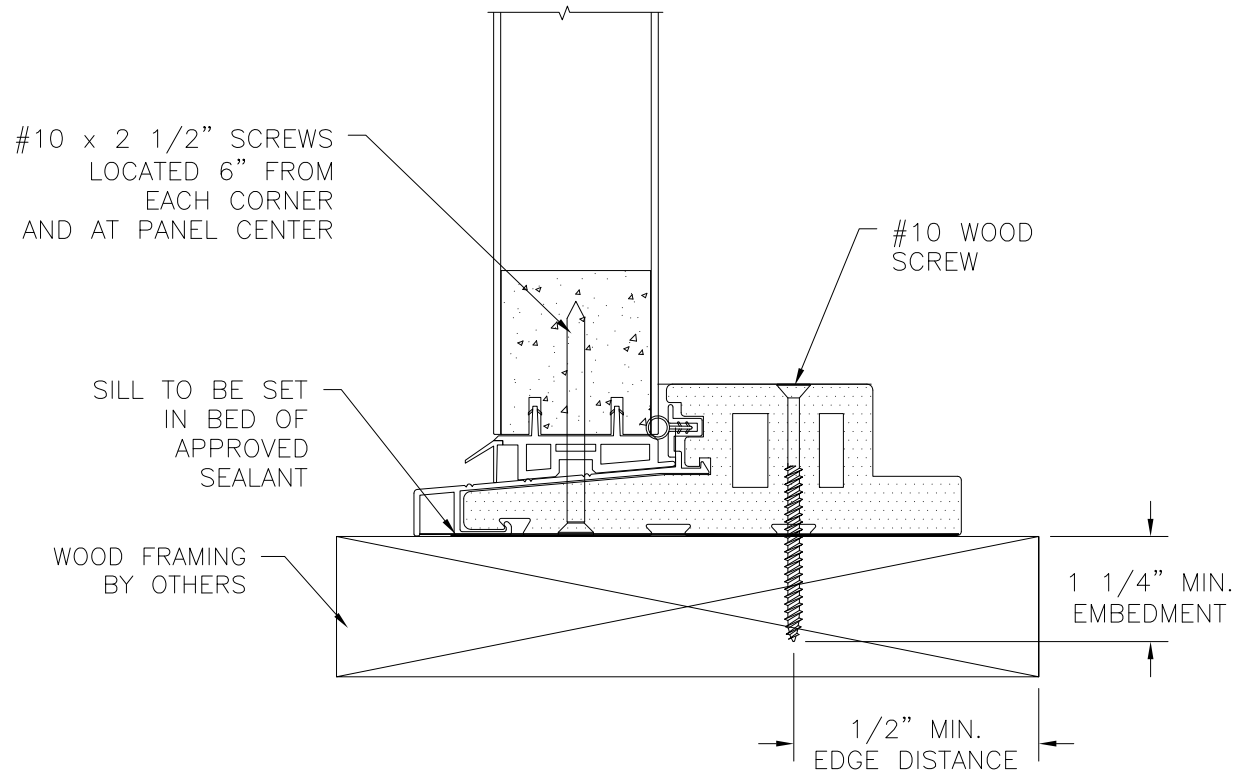
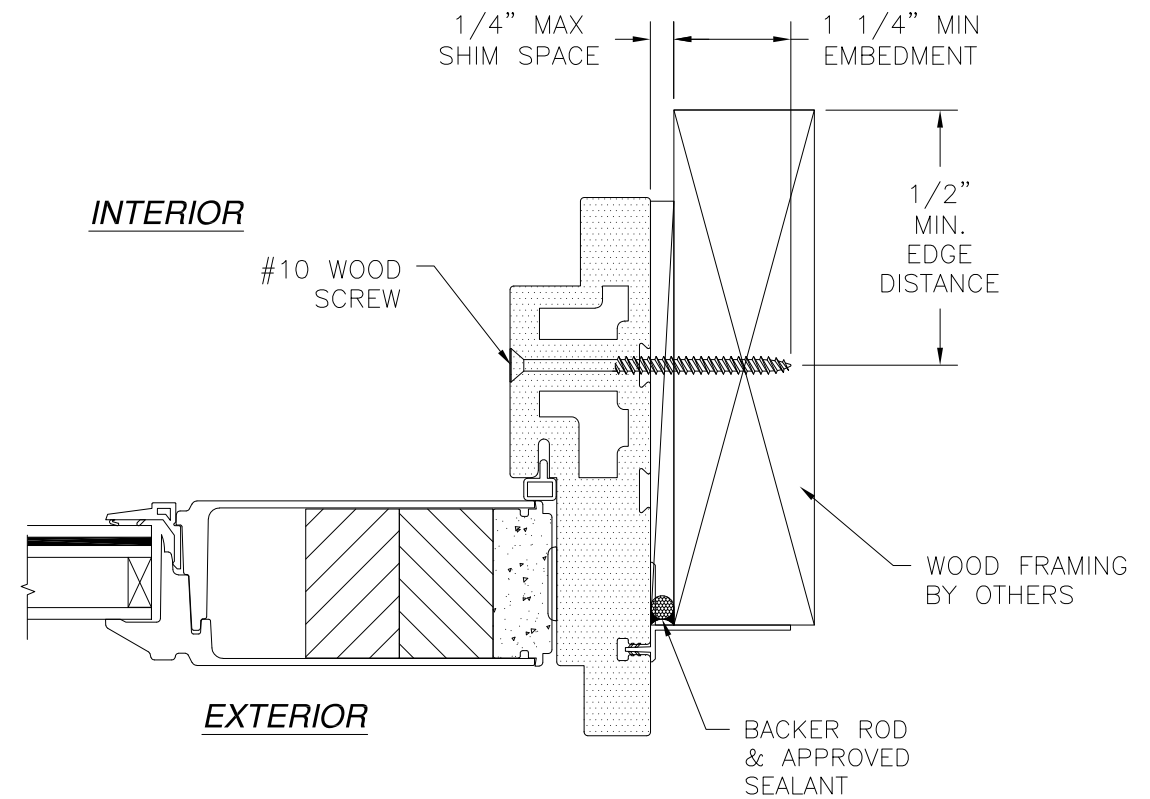
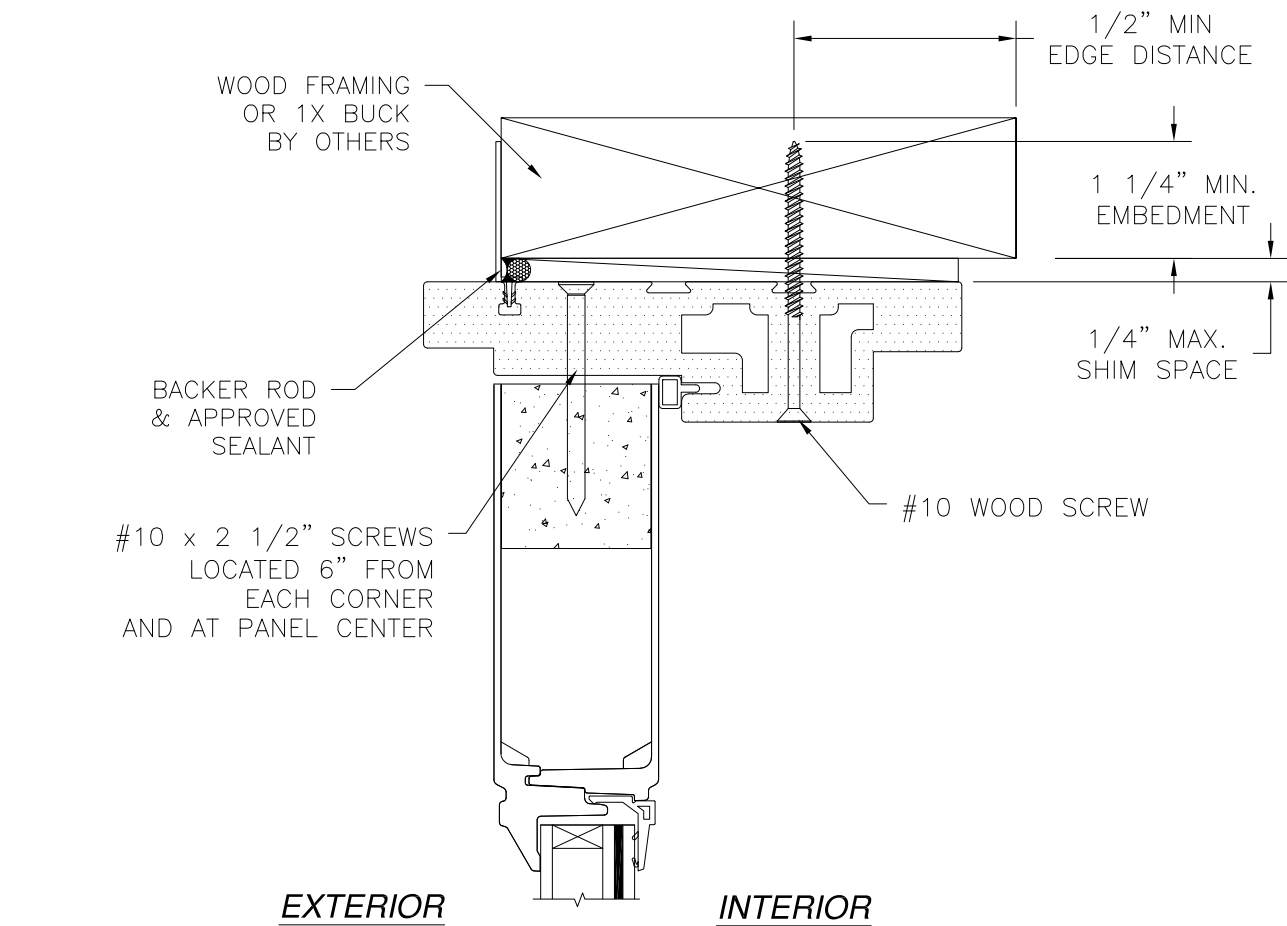
DRAWN: L.M.P.	DWG NO. 08-01539	REV D
SCALE NTS	DATE 05/30/12	SHEET 8 OF 14

L. ROBERTO LOMAS P.E.
1432 WOODFORD RD LEWISVILLE, NC 27023
434-688-0609 rllomas@rlomaspe.com



Luis R. Lomas P.E.
TX No. 101889

REVISIONS			
REV	DESCRIPTION	DATE	APPROVED
D	REVISED PER NEW CODE	02/09/2021	R.L.



SIDELITE VERTICAL CROSS SECTION
2X BUCK/WOOD FRAMING INSTALLATION

SIDELITE HORIZONTAL CROSS SECTION
2X BUCK/WOOD FRAMING INSTALLATION

- NOTES:**
1. INTERIOR AND EXTERIOR FINISHES, BY OTHERS, NOT SHOWN FOR CLARITY.
 2. PERIMETER AND JOINT SEALANT BY OTHERS TO BE DESIGNED IN ACCORDANCE WITH ASTM E2112

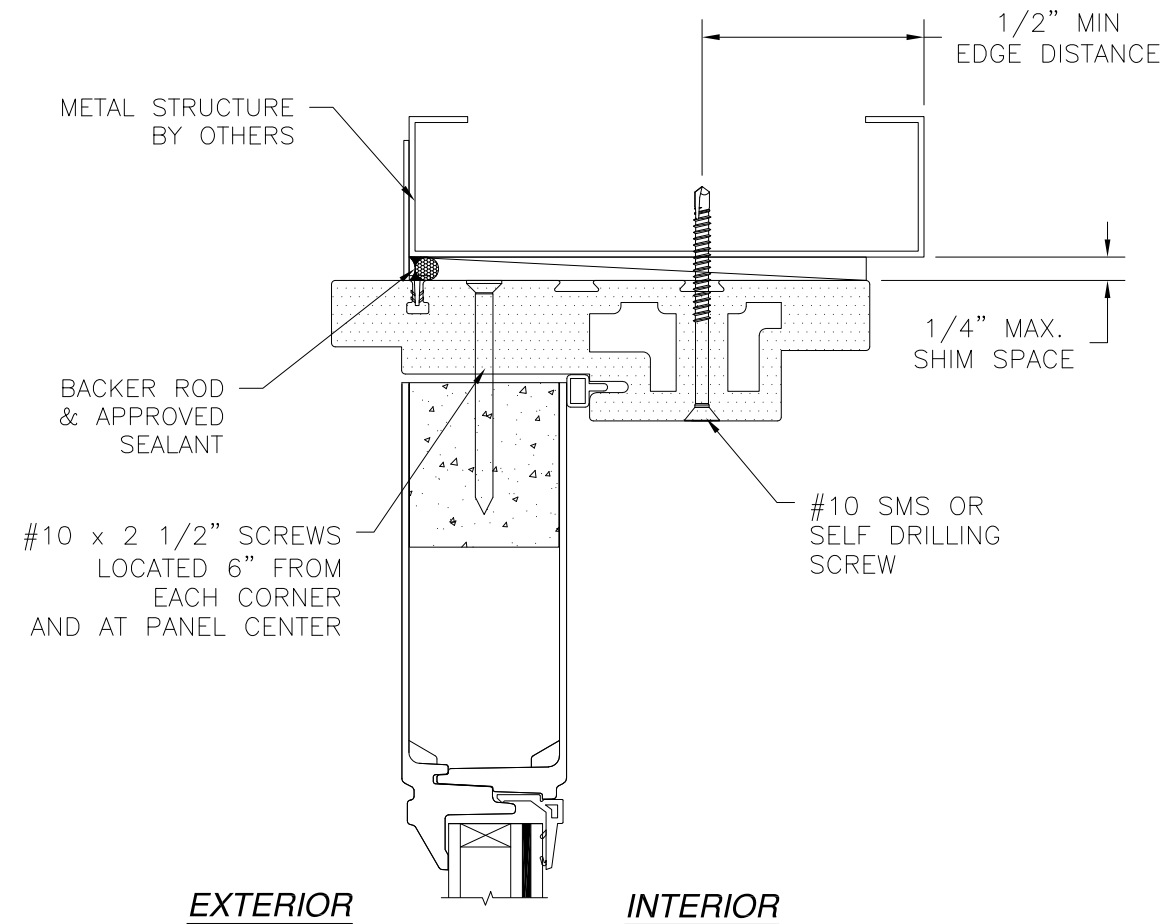
SIGNED: 10/27/2021

<p>NAN YA PLASTICS CORP. USA 8989 NORTH LOOP EAST HOUSTON, TX 77029</p>		
<p>OUT-SWING ENTRANCE DOOR W/ & W/O SIDELITES FIBERGLASS CLAD INSTALLATION DETAILS</p>		
<p>DRAWN: L.M.P.</p>	<p>DWG NO. 08-01539</p>	<p>REV D</p>
<p>SCALE NTS</p>	<p>DATE 05/30/12</p>	<p>SHEET 9 OF 14</p>
<p>L. ROBERTO LOMAS P.E. 1432 WOODFORD RD LEWISVILLE, NC 27023 434-688-0609 rllomas@rlomaspe.com</p>		

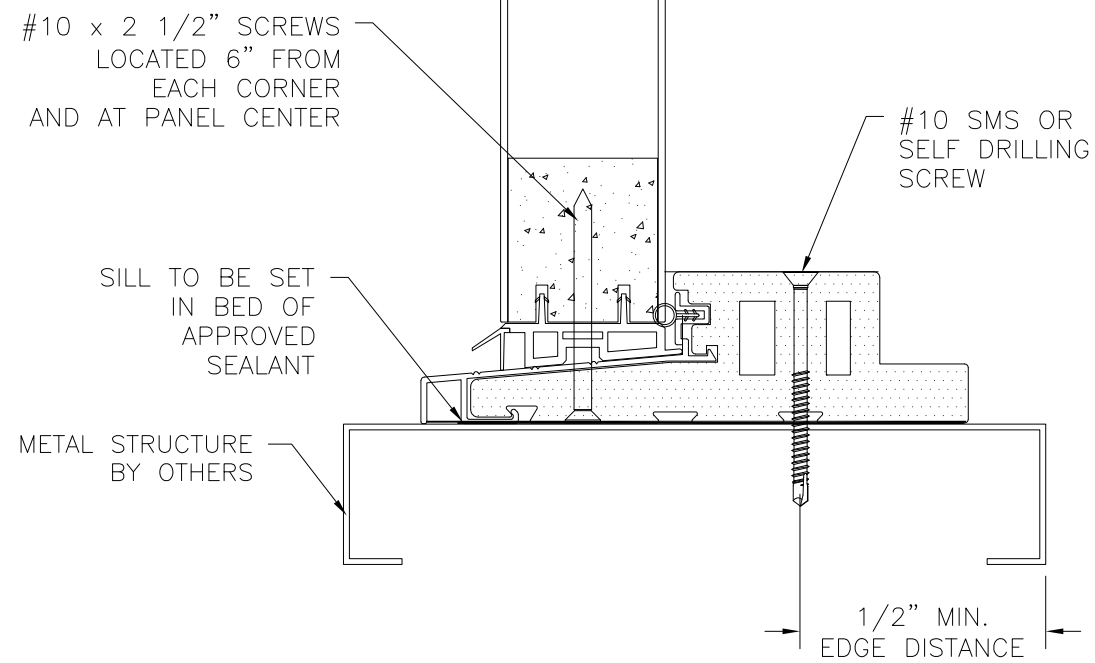


Luis R. Lomas P.E.
TX No. 101889

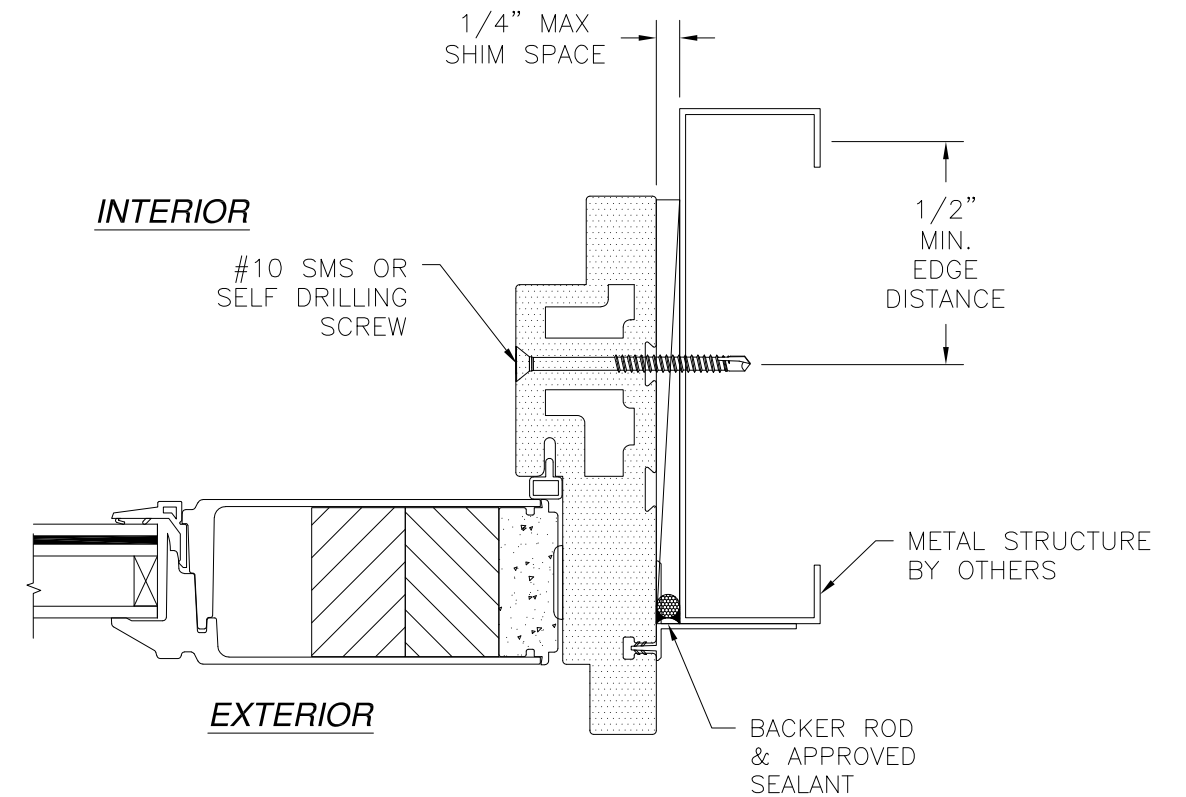
REVISIONS			
REV	DESCRIPTION	DATE	APPROVED
D	REVISED PER NEW CODE	02/09/2021	R.L.



EXTERIOR INTERIOR



SIDELITE VERTICAL CROSS SECTION
METAL STRUCTURE INSTALLATION



SIDELITE HORIZONTAL CROSS SECTION
METAL STRUCTURE INSTALLATION

- NOTES:**
1. INTERIOR AND EXTERIOR FINISHES, BY OTHERS, NOT SHOWN FOR CLARITY.
 2. PERIMETER AND JOINT SEALANT BY OTHERS TO BE DESIGNED IN ACCORDANCE WITH ASTM E2112

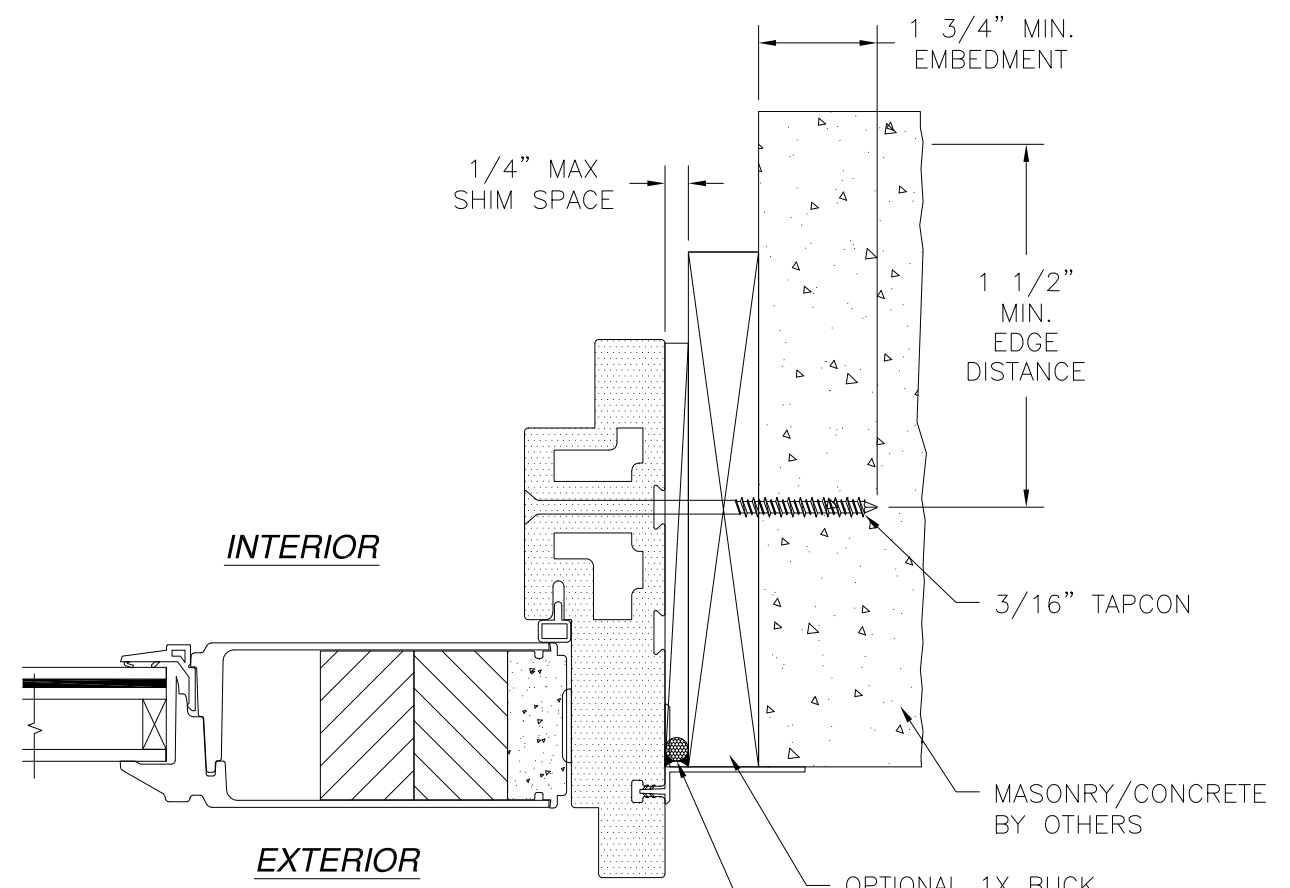
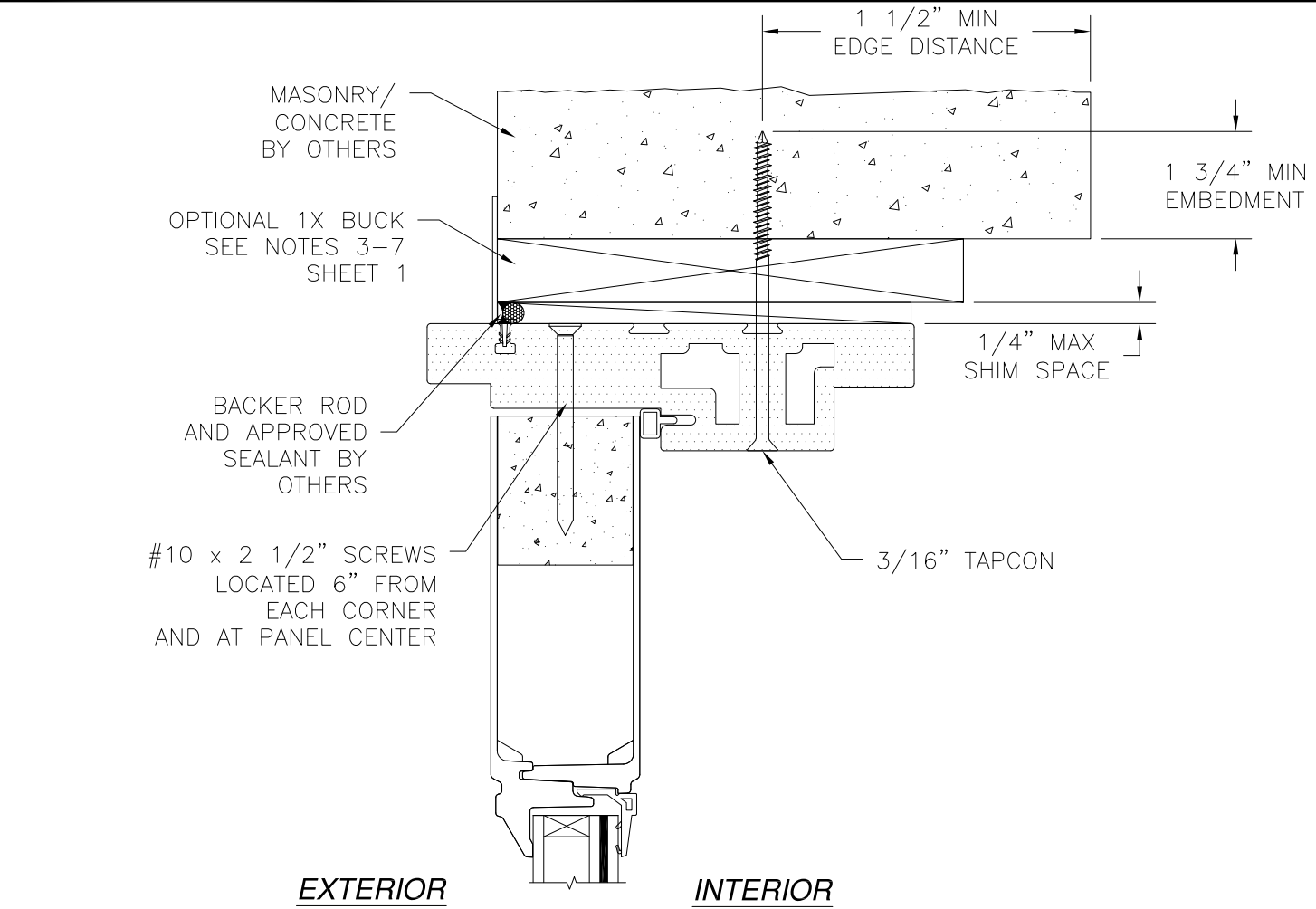
SIGNED: 10/27/2021

<p>NAN YA PLASTICS CORP. USA 8989 NORTH LOOP EAST HOUSTON, TX 77029</p>		
<p>OUT-SWING ENTRANCE DOOR W/ & W/O SIDELITES FIBERGLASS CLAD INSTALLATION DETAILS</p>		
<p>DRAWN: L.M.P.</p>	<p>DWG NO. 08-01539</p>	<p>REV D</p>
<p>SCALE NTS</p>	<p>DATE 05/30/12</p>	<p>SHEET 10 OF 14</p>
<p>L. ROBERTO LOMAS P.E. 1432 WOODFORD RD LEWISVILLE, NC 27023 434-688-0609 rllomas@rlomaspe.com</p>		

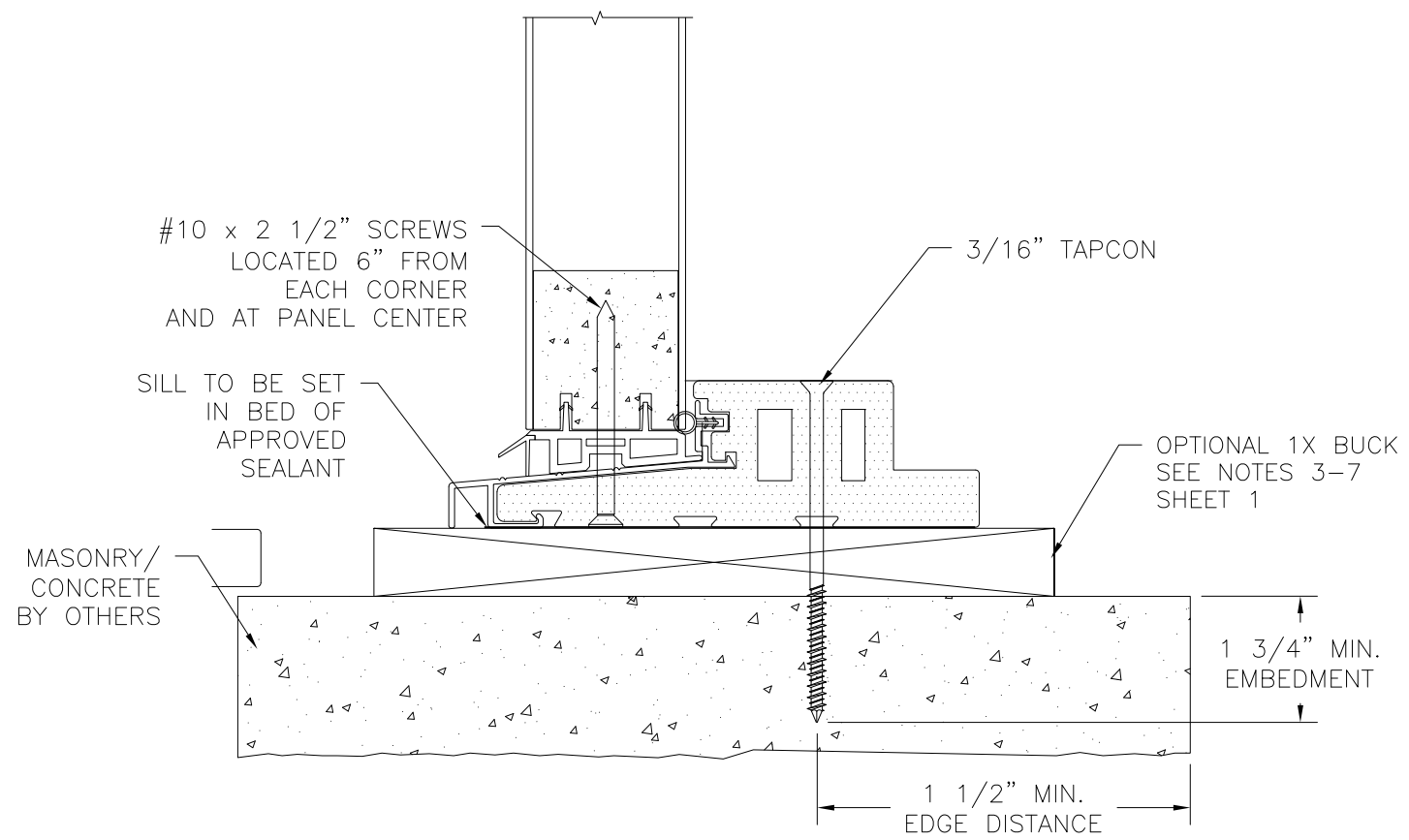


Luis R. Lomas P.E.
TX No. 101889

REVISIONS			
REV	DESCRIPTION	DATE	APPROVED
D	REVISED PER NEW CODE	02/09/2021	R.L.



SIDELITE HORIZONTAL CROSS SECTION
MASONRY/CONCRETE INSTALLATION



SIDELITE VERTICAL CROSS SECTION
MASONRY/CONCRETE INSTALLATION

- NOTES:**
1. INTERIOR AND EXTERIOR FINISHES, BY OTHERS, NOT SHOWN FOR CLARITY.
 2. PERIMETER AND JOINT SEALANT BY OTHERS TO BE DESIGNED IN ACCORDANCE WITH ASTM E2112

SIGNED: 10/27/2021

NAN YA PLASTICS CORP. USA
8989 NORTH LOOP EAST
HOUSTON, TX 77029

OUT-SWING ENTRANCE DOOR W/ & W/O SIDELITES
FIBERGLASS CLAD
INSTALLATION DETAILS

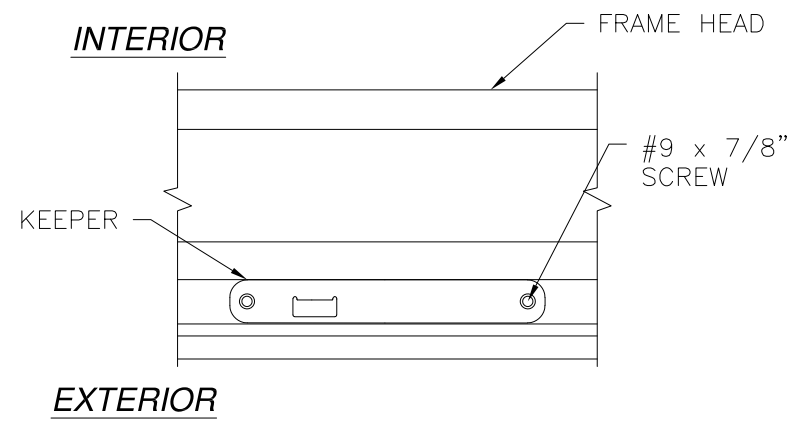
DRAWN: L.M.P.	DWG NO. 08-01539	REV D
SCALE NTS	DATE 05/30/12	SHEET 11 OF 14

L. ROBERTO LOMAS P.E.
1432 WOODFORD RD LEWISVILLE, NC 27023
434-688-0609 rllomas@rlomaspe.com

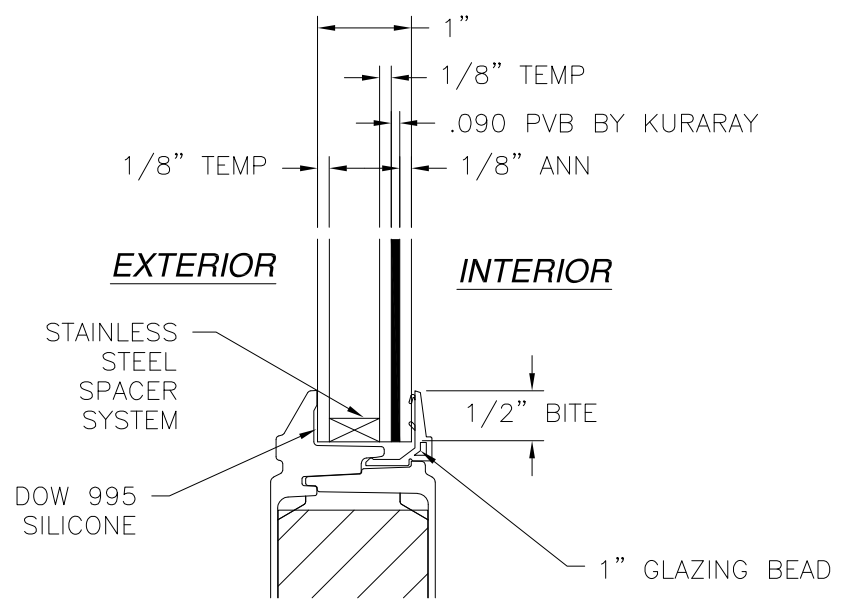


Luis R. Lomas P.E.
TX No. 101889

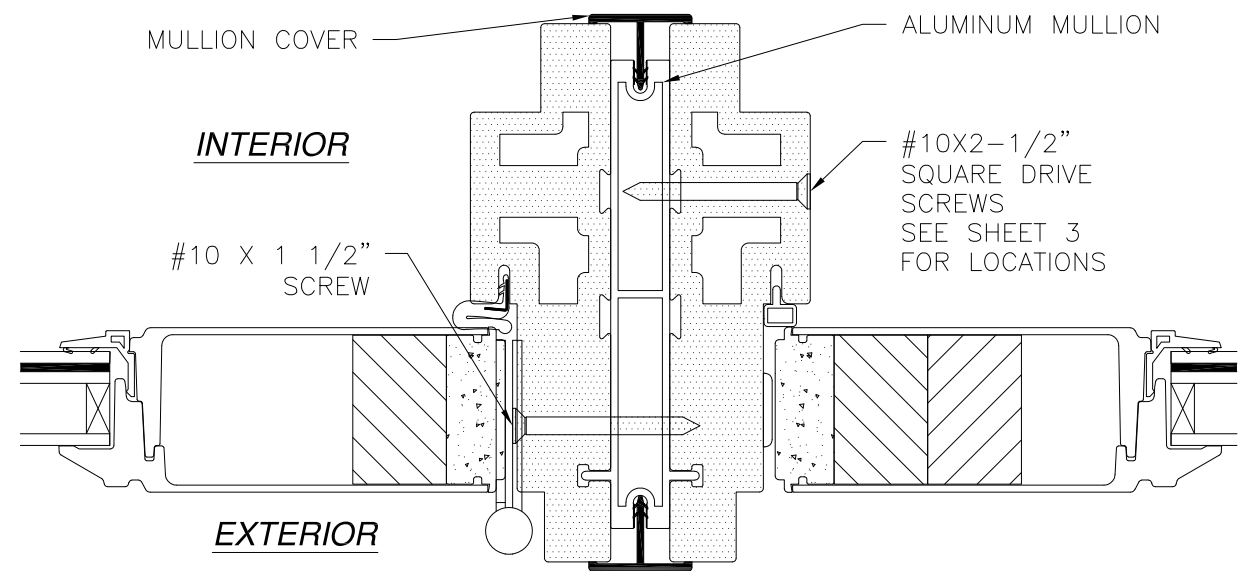
REVISIONS			
REV	DESCRIPTION	DATE	APPROVED
D	REVISED PER NEW CODE	02/09/2021	R.L.



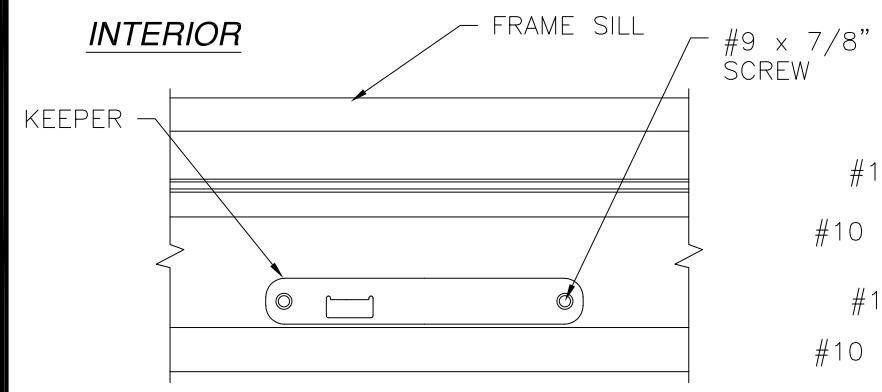
HEAD KEEPER DETAIL
BY JAM YUAN ENTERPRISES CO., LTD



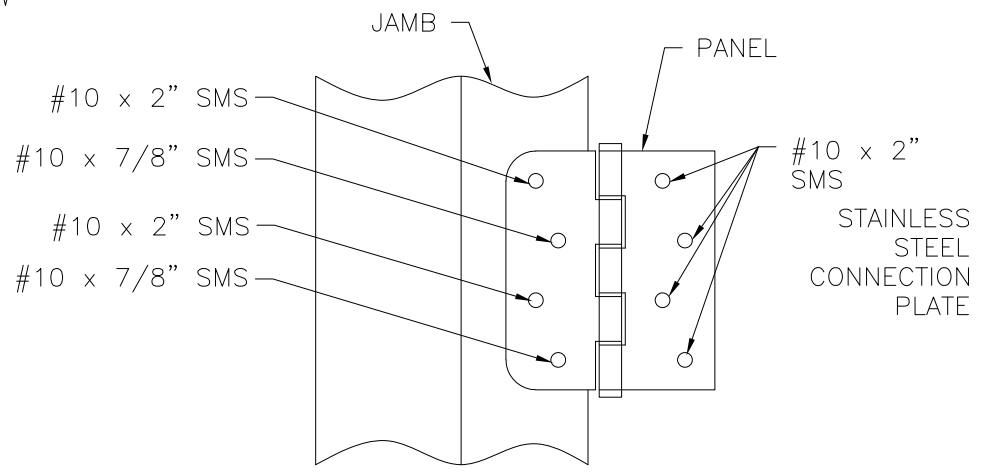
GLAZING DETAIL



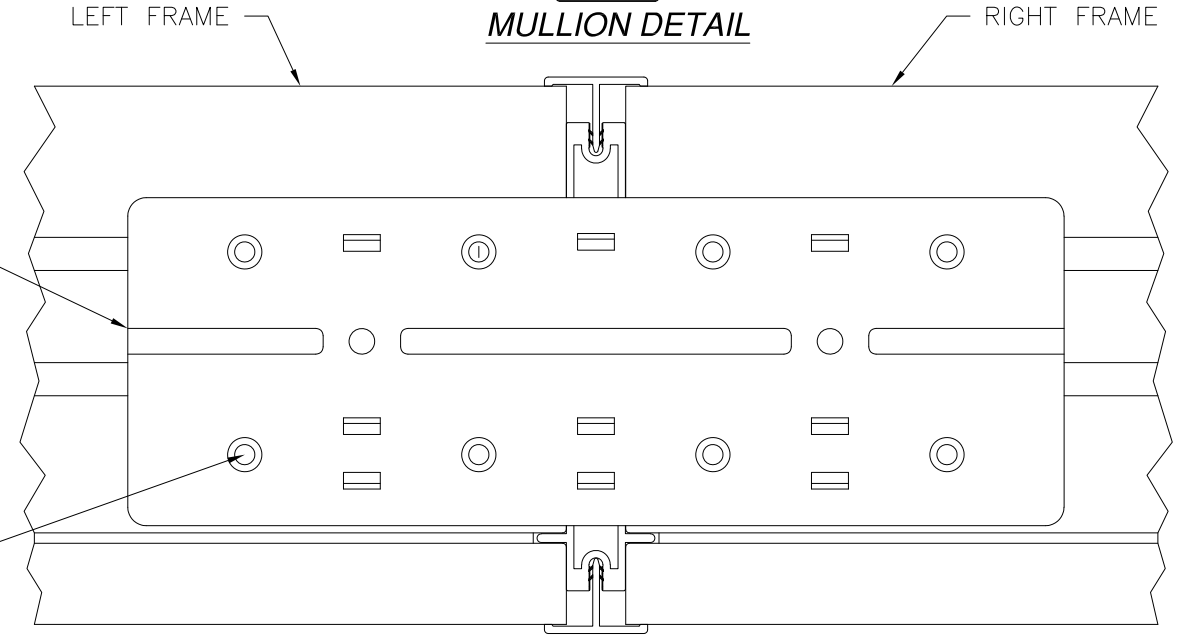
MULLION DETAIL



SILL KEEPER DETAIL
BY JAM YUAN ENTERPRISES CO., LTD



HINGE INSTALLATION DETAIL



FRAME CONNECTION DETAIL

SIGNED: 10/27/2021

NAN YA PLASTICS CORP. USA
8989 NORTH LOOP EAST
HOUSTON, TX 77029

OUT-SWING ENTRANCE DOOR W/ & W/O SIDELITES
FIBERGLASS CLAD
INSTALLATION DETAILS

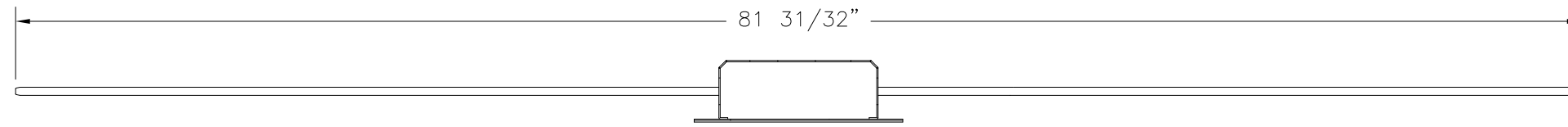
DRAWN: L.M.P.	DWG NO. 08-01539	REV D
SCALE NTS	DATE 05/30/12	SHEET 12 OF 14

L. ROBERTO LOMAS P.E.
1432 WOODFORD RD LEWISVILLE, NC 27023
434-688-0609 rllomas@rlomaspe.com

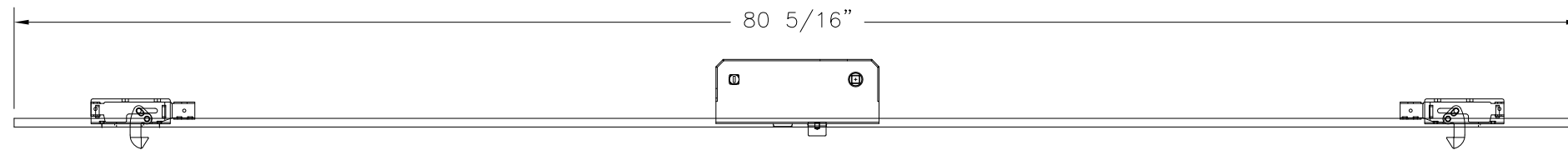


Luis R. Lomas P.E.
TX No. 101889

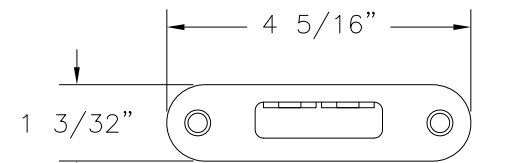
REVISIONS			
REV	DESCRIPTION	DATE	APPROVED
D	REVISED PER NEW CODE	02/09/2021	R.L.



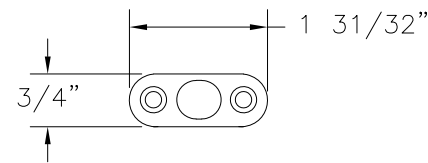
TOP/BOTTOM DRIVE BAR SYSTEM
STAINLESS STEEL
BY JAM YUAN ENTERPRISES CO., LTD



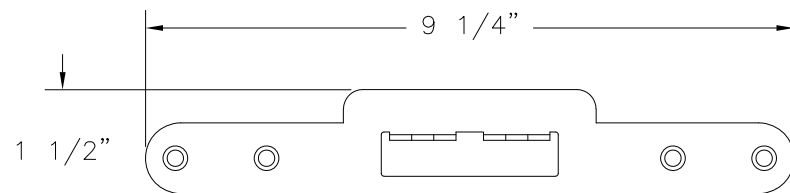
MULTI-POINT LOCKING SYSTEM
STAINLESS STEEL
BY JAM YUAN ENTERPRISES CO., LTD



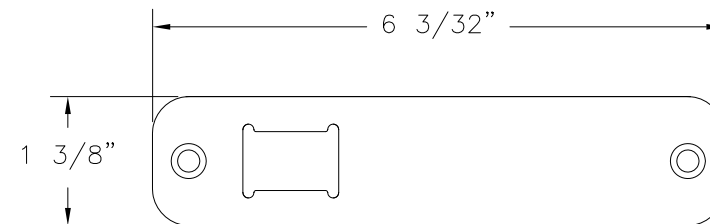
HOOK KEEPER
STAINLESS STEEL
BY JAM YUAN ENTERPRISES CO., LTD



DRIVE BAR PLATE
STAINLESS STEEL
BY JAM YUAN ENTERPRISES CO., LTD



SLAB MULTI-POINT LOCK KEEPER
STAINLESS STEEL
BY JAM YUAN ENTERPRISES CO., LTD



TOP/BOTTOM BAR KEEPER
STAINLESS STEEL
BY JAM YUAN ENTERPRISES CO., LTD

NAN YA PLASTICS CORP. USA
8989 NORTH LOOP EAST
HOUSTON, TX 77029

OUT-SWING ENTRANCE DOOR W/ & W/O SIDELITES
FIBERGLASS CLAD
COMPONENTS

DRAWN: L.M.P.	DWG NO. 08-01539	REV D
SCALE NTS	DATE 05/30/12	SHEET 13 OF 14

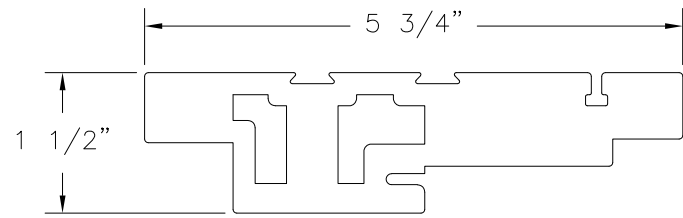
L. ROBERTO LOMAS P.E.
1432 WOODFORD RD LEWISVILLE, NC 27023
434-688-0609 rllomas@lrlomaspe.com

SIGNED: 10/27/2021

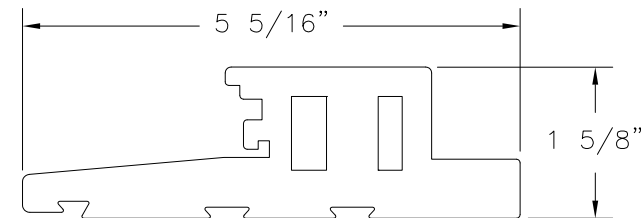


Luis R. Lomas P.E.
TX No. 101889

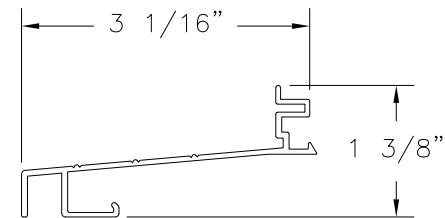
REVISIONS			
REV	DESCRIPTION	DATE	APPROVED
D	REVISED PER NEW CODE	02/09/2021	R.L.



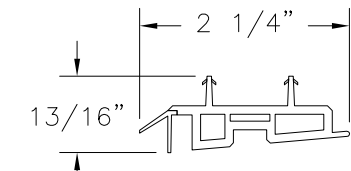
HEAD & JAMB FRAME
FOAM PVC CO-EX



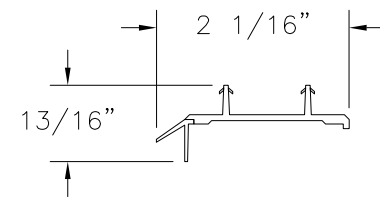
OUTSWING SILL-A
FOAM PVC CO-EX



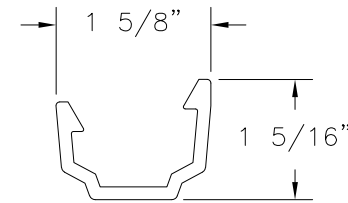
OUTSWING SILL-B
ALUMINUM



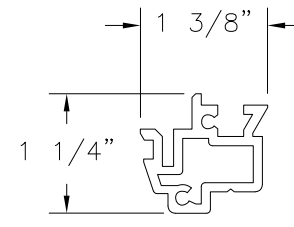
DOOR BOTTOM-A
PVC CO-EX



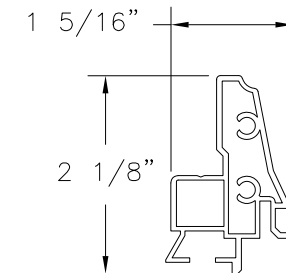
DOOR BOTTOM-B
PVC CO-EX



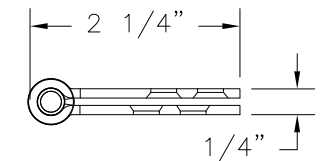
T-ASTRAGAL (A)
RIGID PVC



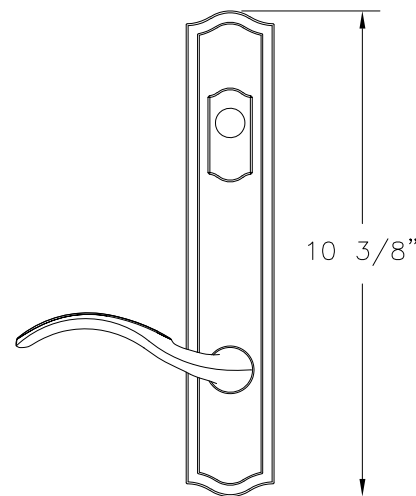
REINFORCEMENT (A)
ALUMINUM



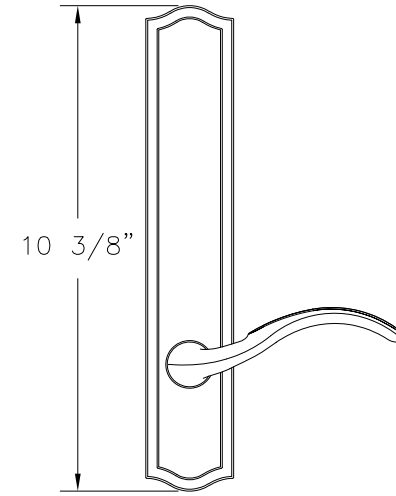
REINFORCEMENT (B)
ALUMINUM



4" X 4" DOOR HINGE
STEEL



HANDLE SETS
DIE CAST



HANDLE SETS
DIE CAST

NAN YA PLASTICS CORP. USA
8989 NORTH LOOP EAST
HOUSTON, TX 77029

OUT-SWING ENTRANCE DOOR W/ & W/O SIDELITES
FIBERGLASS CLAD
COMPONENTS

DRAWN: L.M.P.	DWG NO. 08-01539	REV D
SCALE NTS	DATE 05/30/12	SHEET 14 OF 14

L. ROBERTO LOMAS P.E.
1432 WOODFORD RD LEWISVILLE, NC 27023
434-688-0609 rllomas@rlomaspe.com

SIGNED: 10/27/2021



Luis R. Lomas P.E.
TX No. 101889