

**JELD-WEN DOOR
INSTALLATION DETAILS
CONTOURS PREMIUM STEEL OPAQUE PANEL
IN DUNBARTON REDI-FLEX 90 MIN. STEEL FRAME
UP TO 3'-0" X 7'-0"
OUTSWING/INSWING**

SHEET INDEX	
SHEET #	DESCRIPTION
1	GENERAL NOTES, B.O.M., ELEVATIONS & ANCHOR LOCATIONS
2	OUTSWING VERTICAL AND HORIZONTAL SECTIONS IN WOOD
3	OUTSWING VERT. AND HORIZ. SECTIONS IN MASONRY/CONCRETE
4	INSWING VERTICAL AND HORIZONTAL SECTIONS IN WOOD
5	INSWING VERT. AND HORIZ. SECTIONS IN MASONRY/CONCRETE
6	OUTSWING AND INSWING ANCHORING DETAILS

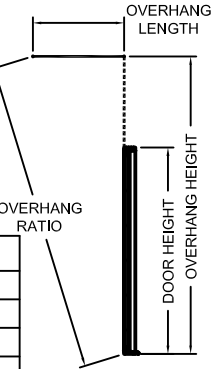
TABLE 1		
SIZE	QUALIFIES: OPAQUE IMPACT	
MAX. PANEL WIDTH = 36"	6'-9" TALL SYSTEMS:	
		(X)
OUTSWING	POSITIVE	+ 66**
	NEGATIVE	- 66**
INSWING	POSITIVE	+ 66*
	NEGATIVE	- 66*

GENERAL NOTES

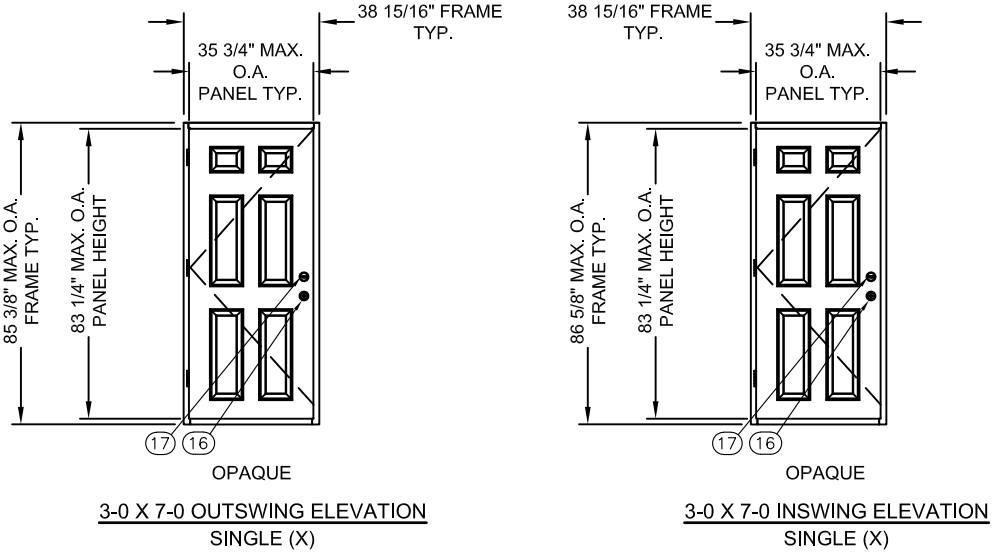
1. THE PRODUCT SHOWN HEREIN IS DESIGNATED, TESTED AND MANUFACTURED TO COMPLY WITH THE WIND LOAD CRITERIA OF THE 2018 INTERNATIONAL RESIDENTIAL CODE (IRC), THE 2018 INTERNATIONAL BUILDING CODE (IBC), THE CURRENT TEXAS DEPARTMENT OF INSURANCE (TDI), AND THE INDUSTRY REQUIREMENT FOR THE STATED CONDITIONS. PRODUCT HAS TESTED TO ASTM E283-04, E330-02 AND E331-00. PRODUCT IS TESTED TO: TAS 201-94, TAS 202-94, TAS 203-94 AND ASTM E1886-06, E1996-06, E283-04, E330-02, E331-00 AND AAMA 1304-02.
2. 1X AND 2X WOOD BUCKS BY OTHERS, MUST BE ANCHORED PROPERLY TO TRANSFER LOADS TO THE STRUCTURE. WOOD BUCKS MUST HAVE A SPECIFIC GRAVITY OF 0.43 OR GREATER.
3. PRODUCT ANCHOR TYPES AND SPACING ARE SHOWN ON SHEET 6. DIMENSIONS SHOWN FOR ANCHOR SPACING ARE ALWAYS FROM EDGE OF UNIT FRAME. ANCHOR EMBEDMENT TO BASE MATERIAL SHALL BE BEYOND WALL DRESSING OR STUCCO.
4. THIS DOCUMENT SUPERCEDES OTHER ANCHOR INSTALLATION INSTRUCTIONS FOR IMPACT RATED DOORS. FOR OTHER IMPORTANT INSTALLATION INSTRUCTIONS, REFER TO JELD-WEN DOCUMENT #JII106 (INSTALLATION INSTRUCTIONS FOR PRE-HUNG ENTRY DOORS) FOUND ON THE JELD-WEN WEBSITE: [JELD-WEN.COM/LEARN/RESOURCES/INSTALLATION & FINISHING/](http://JELD-WEN.COM/LEARN/RESOURCES/INSTALLATION&FINISHING/).
5. FOR DESIGN PRESSURE RATINGS, SEE TABLE 1, SHEET 1.

* NOTE: PRODUCT HAS NOT BEEN RATED FOR WATER INFILTRATION. IF AUTHORITY HAVING JURISDICTION REQUIRES THAT PRODUCT MEETS THIS REQUIREMENT, PRODUCT SHALL BE USED WHEN INSTALLED AT LOCATION PROTECTED BY OVERHANG SUCH THAT OVERHANG (OH) BY OVERHANG LENGTH ÷ OH HEIGHT IS ≥ 1.0

** OUTSWING PRODUCT MEETS WATER INFILTRATION AT DP55 (8.25 psf.)



Item	COMPONENT LIST	Material
1	REDIFLEX FRAME HINGE JAMB 16GA STEEL (BY DUNBARTON)	STEEL
2	REDIFLEX FRAME HEAD JAMB 16GA STEEL (BY DUNBARTON)	STEEL
3	REDIFLEX FRAME LATCH JAMB 16GA STEEL (BY DUNBARTON)	STEEL
4	REDIFLEX FRAME HEADER CLOSURE 18GA. STEEL (BY DUNBARTON)	STEEL
5	#10 PHILLIPS FLATHEAD WOOD SCREW WITH 1 1/2" MIN. EMBEDMENT	STEEL
6	#8 X 2" PHILLIPS FLATHEAD WOOD SCREW	STEEL
7	COMPRESSION WEATHERSTRIP (Q-LON QEBD-650)	VINYL
8	AFCO OUTSWING THRESHOLD # A-117-FR 6063-T6	AL/composite
9	#9 X 3/4 PHILLIPS FLATHEAD WOOD SCREW	STEEL
10	#10-24 X 1/2" PHILLIPS FLATHEAD MACHINE SCREW	STEEL
11	3/16" ITW TAPCON ANCHOR WITH 1 1/4" MIN. EMBEDMENT	STEEL
12	AFCO INSWING THRESHOLD # P-2000 F 6063-T6	AL/composite
13	VINYL DOOR BOTTOM SWEEP BY AFCO #DD-354-FR	VINYL
14	4" x 4" BUTT STANDARD HINGE 13GA STEEL (.085" MIN)	STEEL
15	4" x 4" BUTT SPRING HINGE 12GA STEEL (.105" MIN)	STEEL
16	SCHLAGE A53PD PASSAGE LOCK OR EQUIVALENT UTILIZING ANSI - A156.5 GRADE 2 AND UL10B 3-HOUR FIRE RATINGS	STEEL
17	SCHLAGE B560P DEAD BOLT LOCK OR EQUIVALENT UTILIZING ANSI - A156.5 GRADE 2 AND UL10B 3-HOUR FIRE RATINGS	STEEL
18	#8-32 X 3/8" PHILLIPS FLATHEAD MACHINE SCREW	STEEL
19	#6 X 1 1/4" PHILLIPS FLATHEAD WOOD SCREW	STEEL
20	#10 X 3/4" SELF DRILLING SCREW	STEEL
21	SSMA STUD 550S162-54	STEEL
22	2x WOOD BUCK: S.G. >= 0.43 GRD 2 SOUTHERN YELLOW PINE	WOOD
23	ITEM NOT USED	
24	1/4" X 1 3/4" HWH CONCRETE SCREW WITH 1 1/4" MIN. EMBEDMENT	STEEL
25	CORNER PADS 2", (NOT SHOWN) LOCATED AT THE BOTTOM OF EACH JAMB LEG, SETTING ON TOP OF THE SILL, BEHIND THE WEATHERSTRIP	PLASTIC
26	ADA THRESHOLD	ALUMINUM

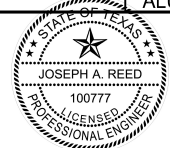


JELD-WEN
WINDOWS & DOORS

3737 Lakeport Blvd.
Klamath Falls, OR 97601
Phone: (541) 882-3451
Fax: (541) 850-2609

PRODUCT
CONTOURS PREMIUM S.E. 3-0 X 7-0 IMPACT OPAQUE PANEL IN DUNBARTON REDI-FLEX FRAME

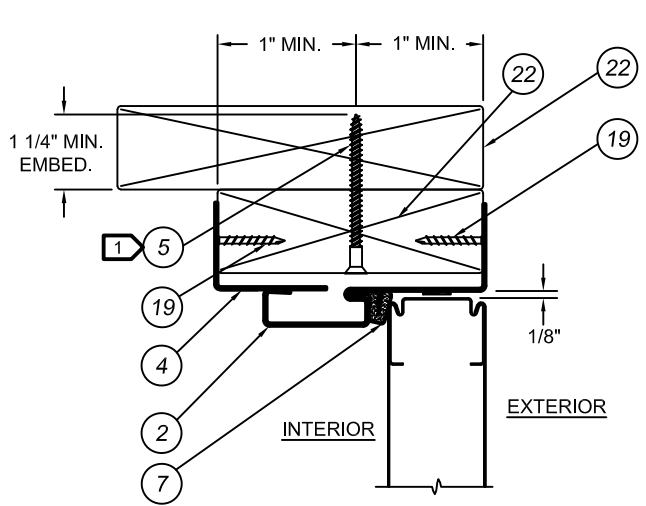
PART OR ASSEMBLY
GENERAL NOTES, DP RATINGS AND B.O.M.



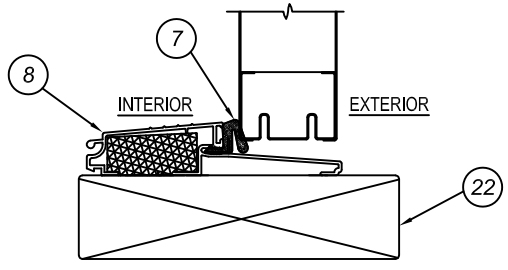
2021.09.30 13:47:52 -04'00'
JOSEPH A. REED, P.E.
Texas No. 100777
5 Leigh Drive
York, PA 17406
(717) 846-1200

DATE:	09/27/2021
SCALE:	NONE
DWG. BY:	G.LUBBECKE
CHK. BY:	S.SAFFELL
DRAWING No.:	D015882
SHEET	1 OF 6

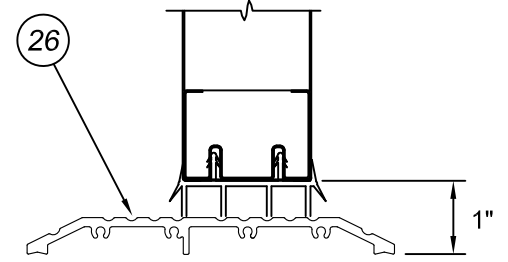
NO.	DATE	REVISIONS	BY
1	02/18/20	ADA THRESHOLD ADDED, DWG NUM CHANGED FRM A008267-FL TO D015882	TB



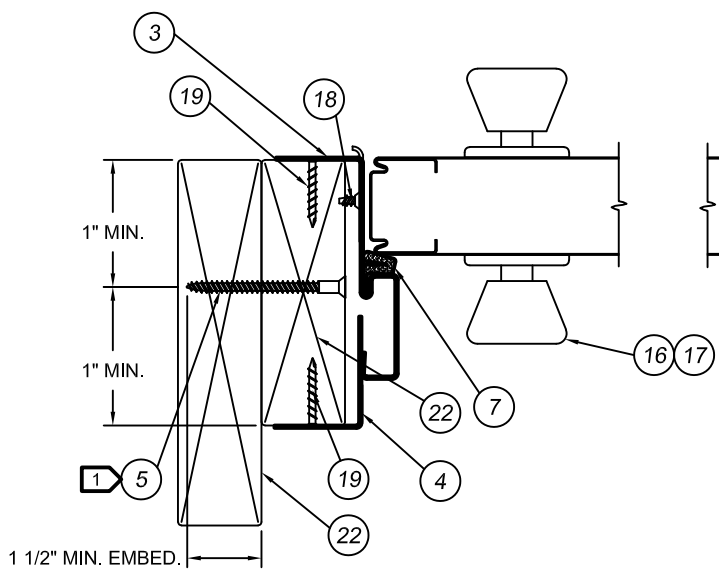
**OUTSWING OPERATING UNIT
VERTICAL CROSS SECTION
2X WOOD BUCK AT HEAD JAMB**



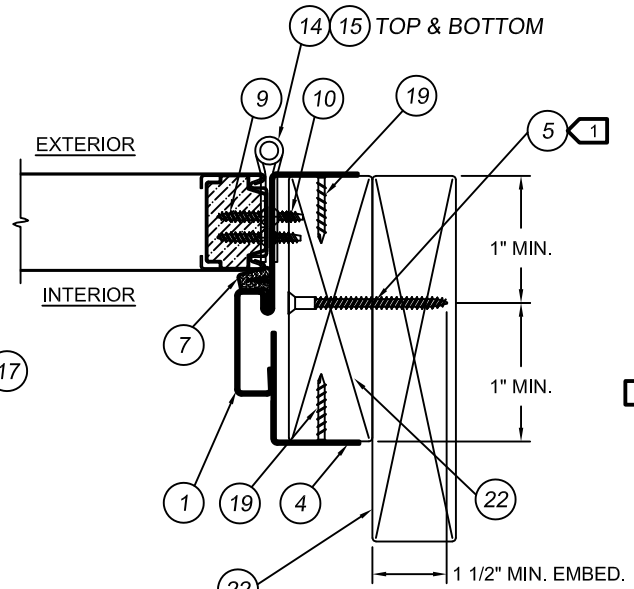
**OUTSWING OPERATING UNIT
VERTICAL CROSS SECTION
AFCO OUTSWING SILL**



**OUTSWING OPERATING UNIT
VERTICAL CROSS SECTION
ADA SILL**



**OUTSWING LATCH JAMB AT FRAME
HORIZONTAL CROSS SECTION
2X WOOD BUCK**



**OUTSWING HINGE JAMB AT FRAME
HORIZONTAL CROSS SECTION
2X WOOD BUCK**

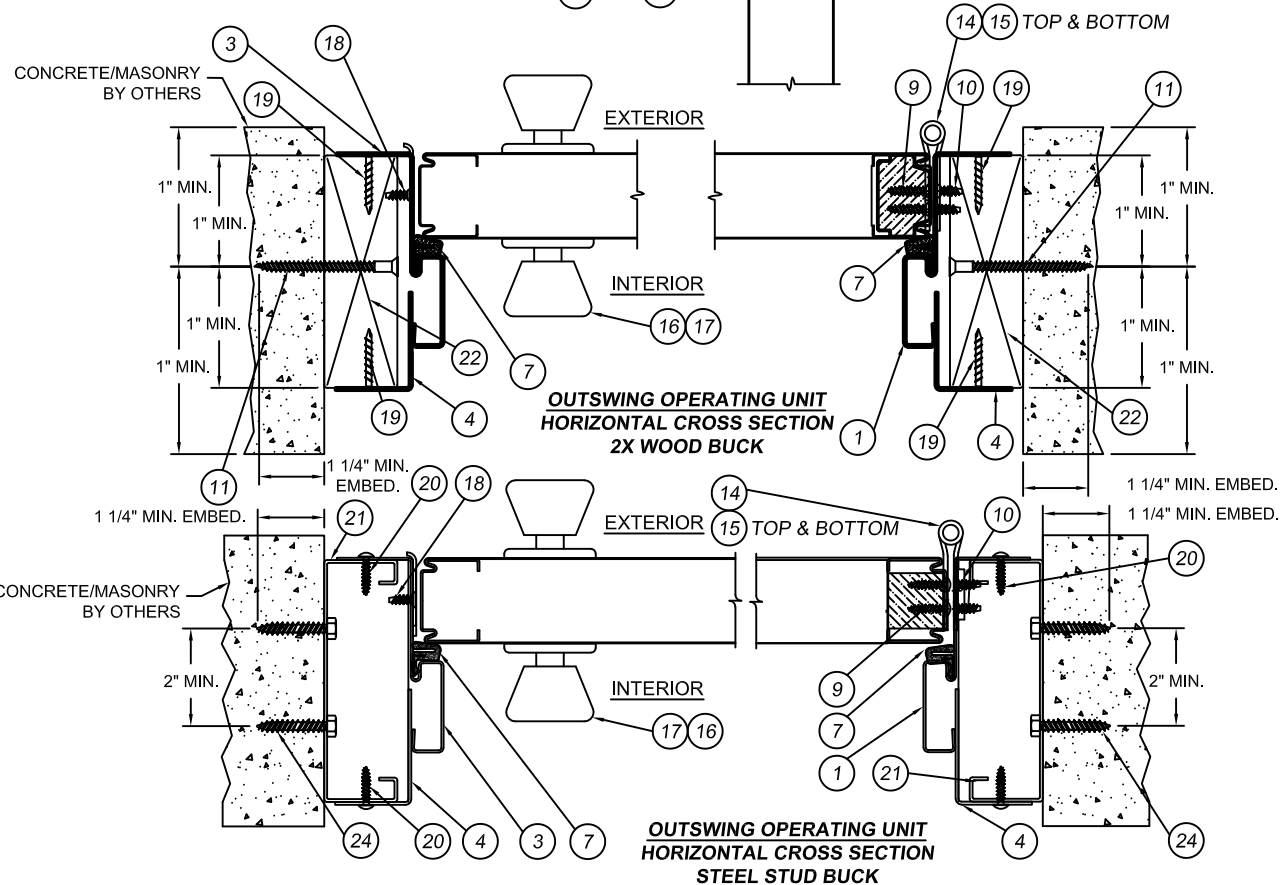
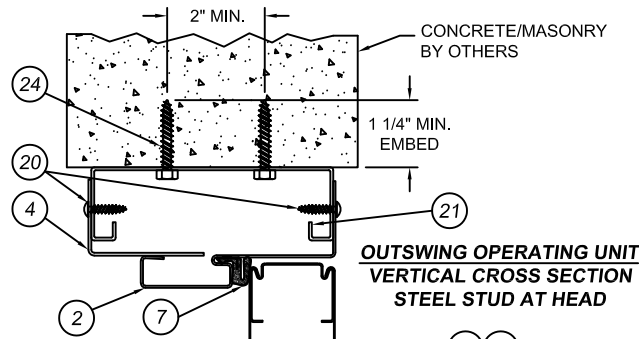
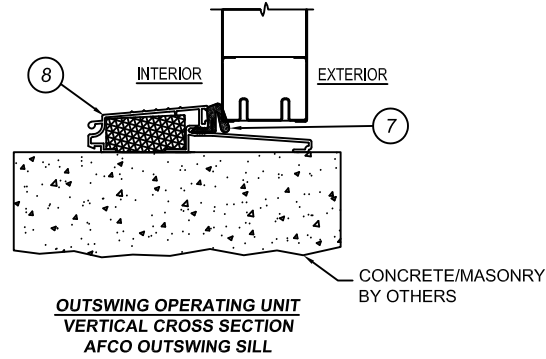
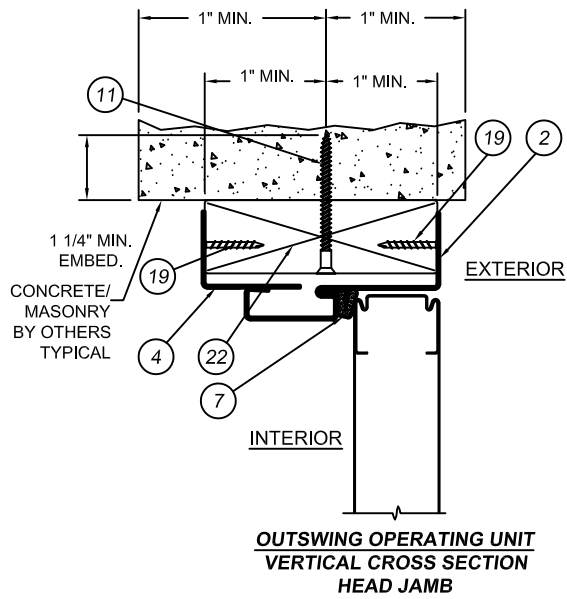
NOTES:
1 FOR PLACEMENT OF ITW TAPCON ANCHORS IN 2X BUCK IN CONCRETE/MASONRY OPENINGS, SEE SHEET 3

JELD-BOWEN
WINDOWS & DOORS
3737 Lakeport Blvd.
Klamath Falls, OR 97601
Phone: (541) 882-3451
Fax: (541) 850-2609

PRODUCT
CONTOURS PREMIUM S.E. 3-0 X 7-0 IMPACT
OPAQUE PANEL IN DUNBARTON REDI-FLEX FRAME
PART OR ASSEMBLY
OUTSWING VERTICAL AND HORIZONTAL SECTIONS
IN WOOD

DATE: 09/27/2021
SCALE: NONE
DWG. BY: G.LUBBECKE
CHK. BY: S.SAFFELL
DRAWING No.:
D015882
SHEET 2 OF 6

STATE OF TEXAS
JOSEPH A. REED
100777
LICENSED
PROFESSIONAL ENGINEER
Joseph A. Reed
2021.09.30 13:47:52 -04'00'
JOSEPH A. REED, P.E.
Texas No. 100777
5 Leigh Drive
York, PA. 17408
(717) 848-1200

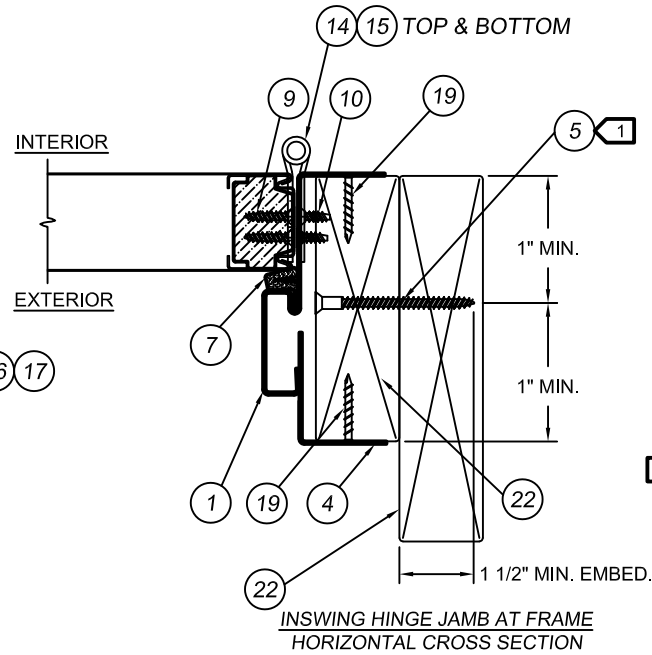
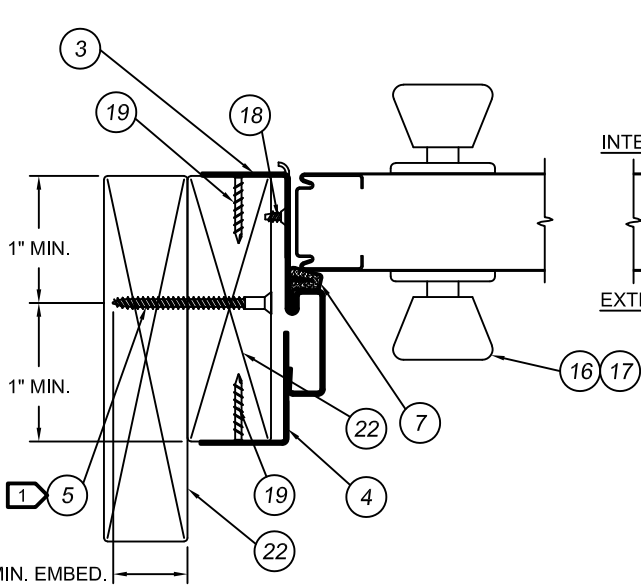
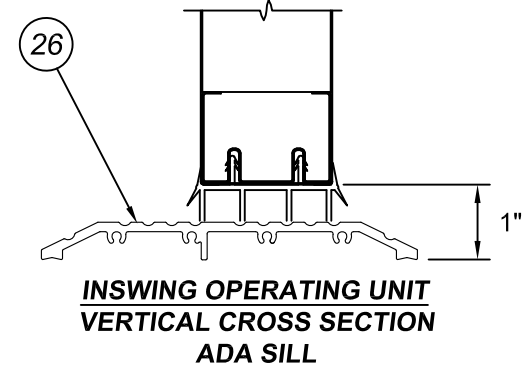
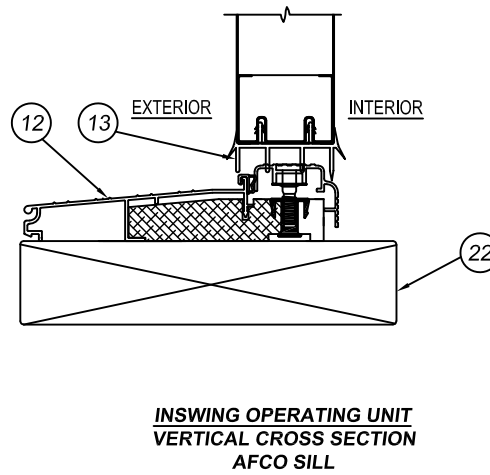
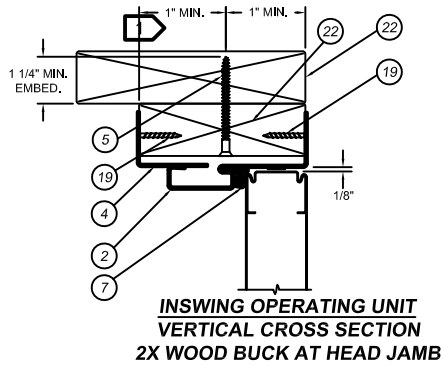


JELD-BOWEN
WINDOWS & DOORS
3737 Lakeport Blvd.
Klamath Falls, OR 97601
Phone: (541) 882-3451
Fax: (541) 850-2609

PRODUCT
CONTOURS PREMIUM S.E. 3-0 X 7-0 IMPACT
OPAQUE PANEL IN DUNBARTON RED-FLEX FRAME
PART OR ASSEMBLY
OUTSWING VERTICAL AND HORIZONTAL SECTIONS
IN MASONRY/CONCRETE

DATE: 09/27/2021
SCALE: NONE
DWG. BY: G.LUBBECKE
CHK. BY: S.SAFFELL
DRAWING No.:
D015882
SHEET 3 OF 6

STATE OF TEXAS
JOSEPH A. REED
100777
LICENSED PROFESSIONAL ENGINEER
Joseph A. Reed
2021.09.30 13:47:52 -04'00'
JOSEPH A. REED, P.E.
Texas No. 100777
5 Leigh Drive
York, PA. 17408
(717) 848-1200



NOTES:
 1 FOR PLACEMENT OF ITW TAPCON ANCHORS IN 2X BUCK IN CONCRETE/MASONRY OPENINGS, SEE SHEET 5

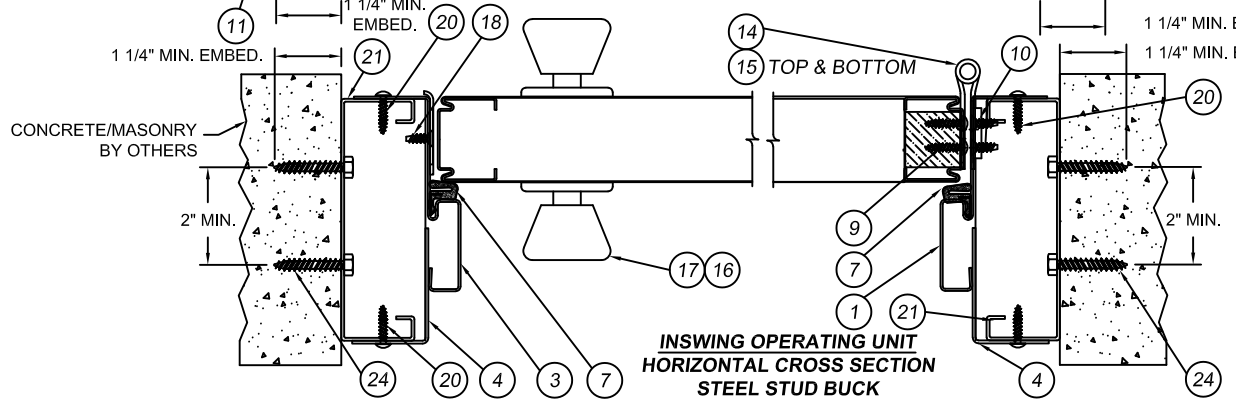
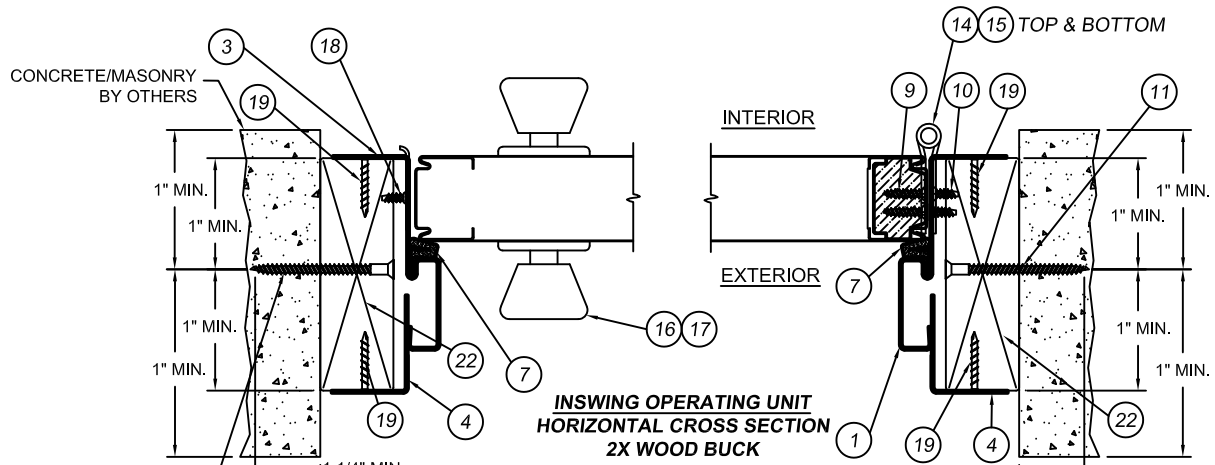
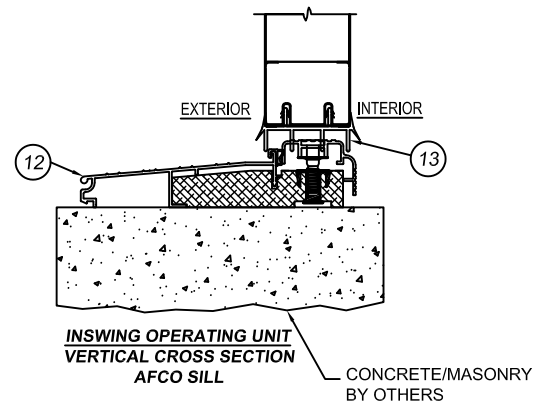
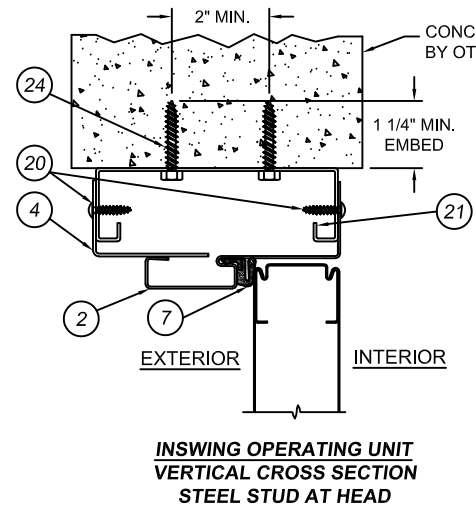
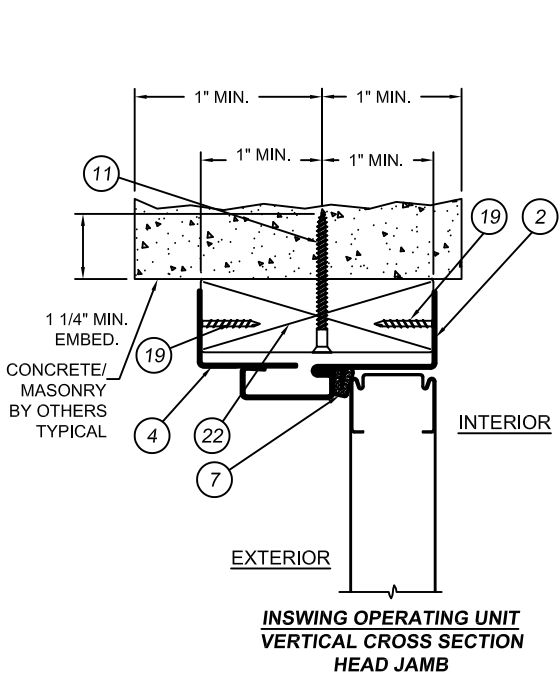
JELD-BOWEN
 WINDOWS & DOORS
 3737 Lakeport Blvd.
 Klamath Falls, OR 97601
 Phone: (541) 882-3451
 Fax: (541) 850-2609

PRODUCT
 CONTOURS PREMIUM S.E. 3-0 X 7-0 IMPACT
 OPAQUE PANEL IN DUNBARTON REDI-FLEX FRAME
 PART OR ASSEMBLY
 INSWING VERTICAL AND HORIZONTAL SECTIONS
 IN WOOD

DATE: 09/27/2021
 SCALE: NONE
 DWG. BY: G.LUBBECKE
 CHK. BY: S.SAFFELL
 DRAWING No.:
 D015882
 SHEET 4 OF 6



Joseph A. Reed
 2021.09.30 13:47:52 -04'00'
JOSEPH A. REED, P.E.
 Texas No. 100777
 5 Leigh Drive
 York, PA. 17408
 (717) 846-1200



JELD-BOWEN
WINDOWS & DOORS

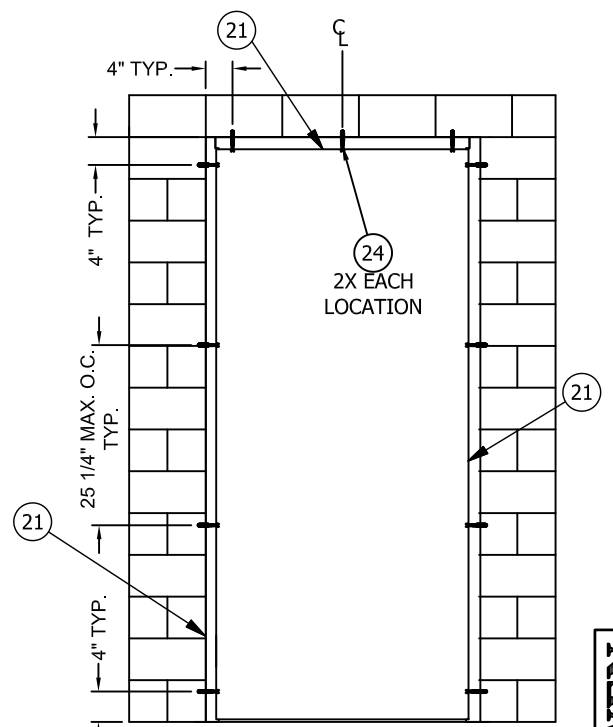
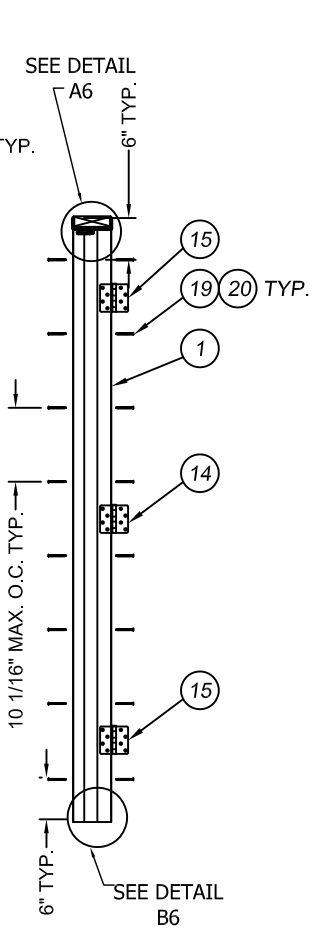
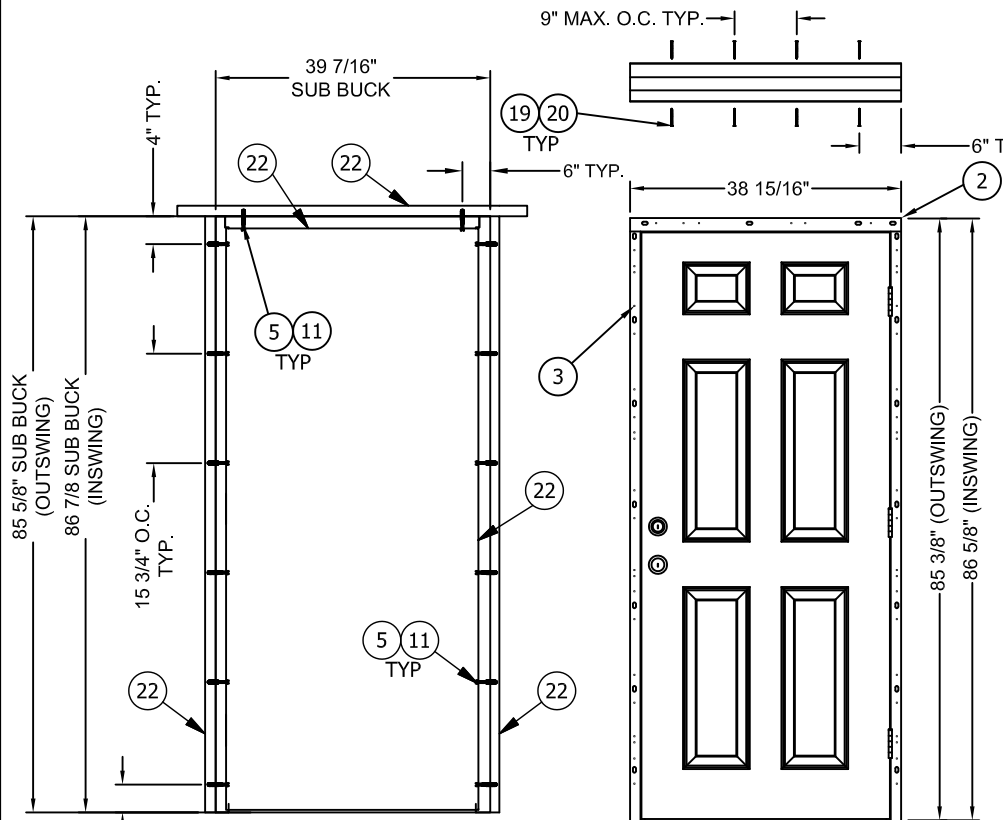
3737 Lakeport Blvd.
Klamath Falls, OR 97601
Phone: (541) 882-3451
Fax: (541) 850-2609

PRODUCT
CONTOURS PREMIUM S.E. 3-0 X 7-0 IMPACT
OPAQUE PANEL IN DUNBARTON REDIFLEX FRAME
PART OR ASSEMBLY
INSWING VERTICAL AND HORIZONTAL SECTIONS
IN MASONRY/CONCRETE

DATE: 09/27/2021
SCALE: NONE
DWG. BY: G.LUBBECKE
CHK. BY: S.SAFFELL
DRAWING No.:
D015882
SHEET 5 OF 6



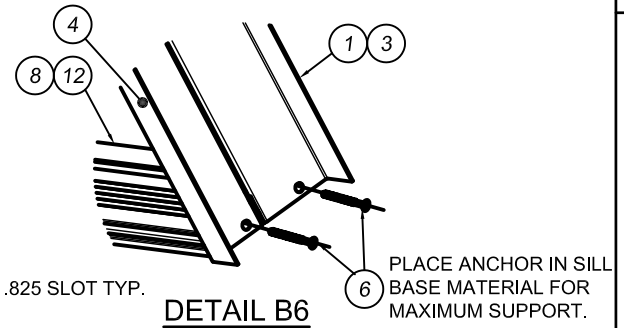
Joseph A. Reed
2021.09.30 13:47:52 -04'00'
JOSEPH A. REED, P.E.
Texas No. 100777
5 Leigh Drive
York, PA. 17408
(717) 846-1200



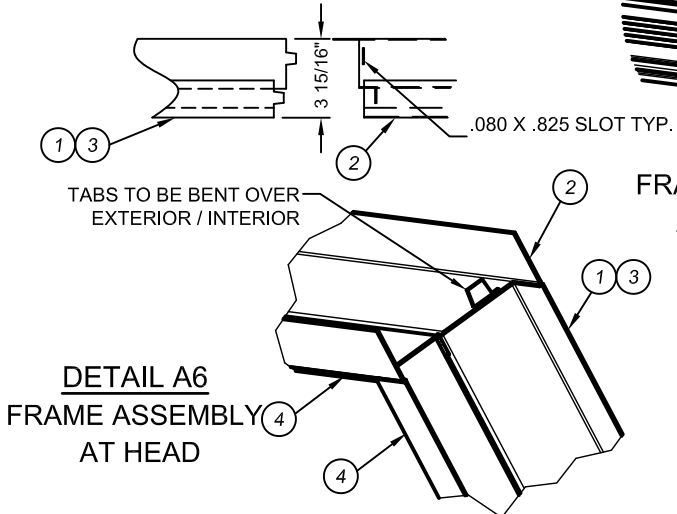
SCREW ANCHORS
22 THROUGH STEEL STUD
INTO MASONRY/CONCRETE FRAME

SCREW ANCHORS
(INTERIOR/EXTERIOR)
40 THROUGH DUNBARTON FRAME INTO
SUB BUCK OR STEEL STUD

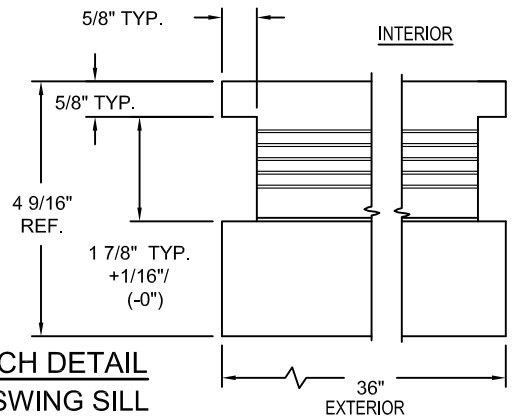
SCREW ANCHORS
15 THROUGH 2X WOOD BUCK FRAME
INTO WOOD SUB BUCK
OR MASONRY/CONCRETE



DETAIL B6
FRAME ASSEMBLY
AT SILL ENDS



DETAIL A6
FRAME ASSEMBLY
AT HEAD



SILL NOTCH DETAIL
FOR OUTSWING SILL

JELD-BOWEN
WINDOWS & DOORS
3737 Lakeport Blvd.
Klamath Falls, OR 97601
Phone: (541) 882-3451
Fax: (541) 850-2609

PRODUCT
CONTOURS PREMIUM S.E. 3-0 X 7-0 IMPACT
OPAQUE PANEL IN DUNBARTON REDIFLEX FRAME
PART OR ASSEMBLY
INSWING AND OUTSWING ANCHORING DETAILS

DATE: 09/27/2021
SCALE: NONE
DWG. BY: G.LUBBECKE
CHK. BY: S.SAFFELL
DRAWING No.:
D015882
SHEET 6 OF 6

STATE OF TEXAS
JOSEPH A. REED
100777
LICENSED
PROFESSIONAL ENGINEER
Joseph A. Reed
2021.09.30 13:47:52 -04'00'
JOSEPH A. REED, P.E.
Texas No. 100777
5 Leigh Drive
York, PA. 17408
(717) 848-1200