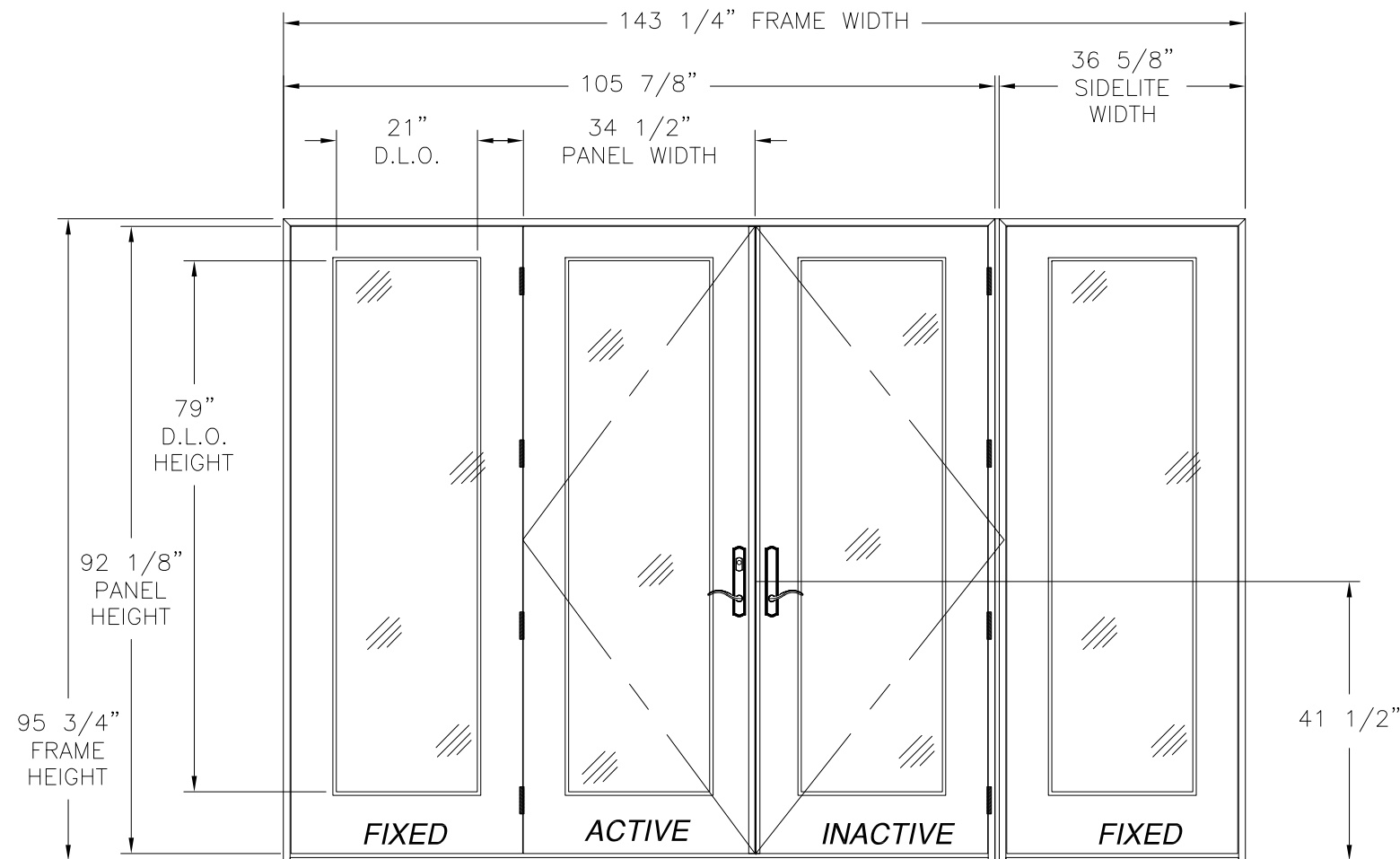


REVISIONS			
REV	DESCRIPTION	DATE	APPROVED
A	UPDATED HARDWARE	10/17/18	R.L.
B	REVISED PER NEW REQUIREMENTS	12/10/19	R.L.



**SERIES IN-SWING PATIO DOOR
DOUBLE DOOR W/ SIDELITES
EXTERIOR VIEW**

NOTES:

1. THE PRODUCT SHOWN HEREIN IS DESIGNED AND MANUFACTURED TO COMPLY WITH REQUIREMENTS OF THE 2006 IBC, 2006 IRC WITH STATE OF TEXAS MODIFICATIONS AND WITH THE 2015 IBC, 2015 IRC, 2018 IBC AND 2018 IRC.
2. WOOD FRAMING AND MASONRY OPENING TO BE DESIGNED AND ANCHORED TO PROPERLY TRANSFER ALL LOADS TO STRUCTURE. FRAMING AND MASONRY OPENING IS THE RESPONSIBILITY OF THE ARCHITECT OR ENGINEER OF RECORD.
3. 1X BUCK OVER MASONRY/CONCRETE IS OPTIONAL. WHERE 1X BUCK IS NOT USED DISSIMILAR MATERIALS MUST BE SEPARATED WITH APPROVED COATING OR MEMBRANE. SELECTION OF COATING OR MEMBRANE IS THE RESPONSIBILITY OF THE ARCHITECT OR ENGINEER OF RECORD.
4. UNITS MUST BE GLAZED PER ASTM E1300-04, SEE SHEET 5 FOR GLASS DETAILS.
5. APPROVED IMPACT PROTECTIVE SYSTEM IS REQUIRED FOR THIS PRODUCT IN WIND BORNE DEBRIS REGIONS.
6. FRAME JAMB AND HEAD MATERIAL: CO-EXTRUDED PVC FOAM 1 1/2" THICK.
7. FRAME SILL MATERIAL: CO-EXTRUDED PVC FOAM 2" THICK WITH ALUMINUM CLADDING .063" THICK.
8. DOOR PANEL AND SIDELITE MATERIAL: .075" THICK FIBERGLASS SKIN WITH PVC FOAM TOP AND BOTTOM RAILS, AND PVC FOAM VERTICAL STILES WITH PINE REINFORCEMENTS AND POLYURETHANE FOAM CORE.
9. APPROVED CONFIGURATIONS: O, X, OX, XO, XX, OXO, XXO, OXX, OXXO, O/X, XX/O, OXX/O AND O/XX/O SEE SHEET 2.
10. HINGES LOCATED AT 8", 33 1/2", 59" AND 84 1/2" FROM BOTTOM OF PANEL

DESIGN PRESSURE RATING	IMPACT RATING
±50PSF	NONE

OXX/O CONFIGURATION SHOWN, CONFIGURATIONS LISTED IN NOTE 9
ARE APPROVED AS LONG AS INDIVIDUAL PANEL
AREA DOES NOT EXCEED 21.91 FT²

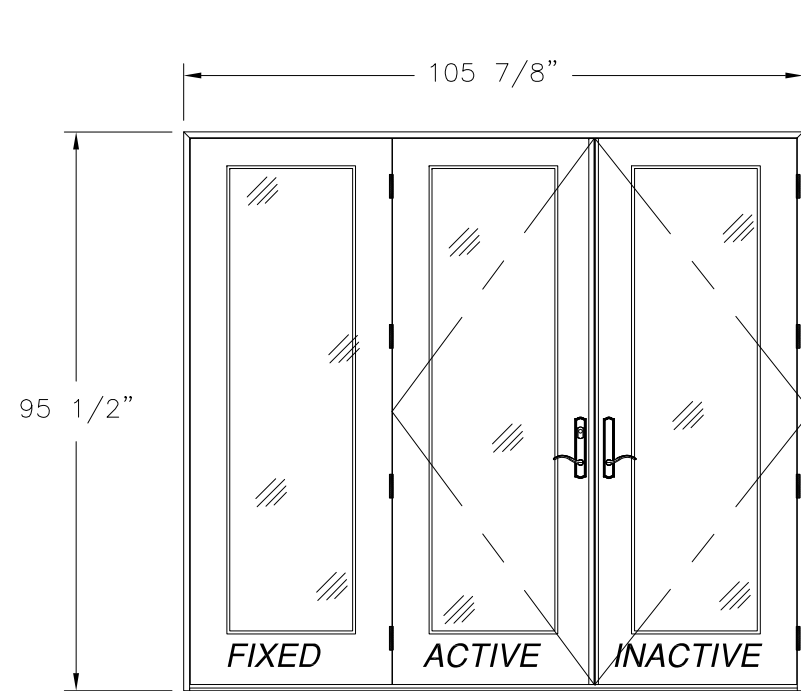
TABLE OF CONTENTS	
SHEET NO.	DESCRIPTION
1	ELEVATION AND NOTES
2	ADDITIONAL CONFIGURATIONS AND HARDWARE
3 - 4	ANCHORING LAYOUTS
5 - 8	INSTALLATION DETAILS
9	COMPONENTS

NAN YA PLASTICS CORP. USA 8989 NORTH LOOP EAST HOUSTON, TX 77029		
SERIES IN-SWING PATIO DOOR W/ & W/O SIDELITES OXXO ELEVATION AND NOTES		
DRAWN: L.M.P.	DWG NO. 08-01535	REV B
SCALE NTS	DATE 04/09/12	SHEET 1 OF 9
L. ROBERTO LOMAS P.E. 1432 WOODFORD RD LEWISVILLE, NC 27023 434-688-0609 rllomas@rlomaspe.com		

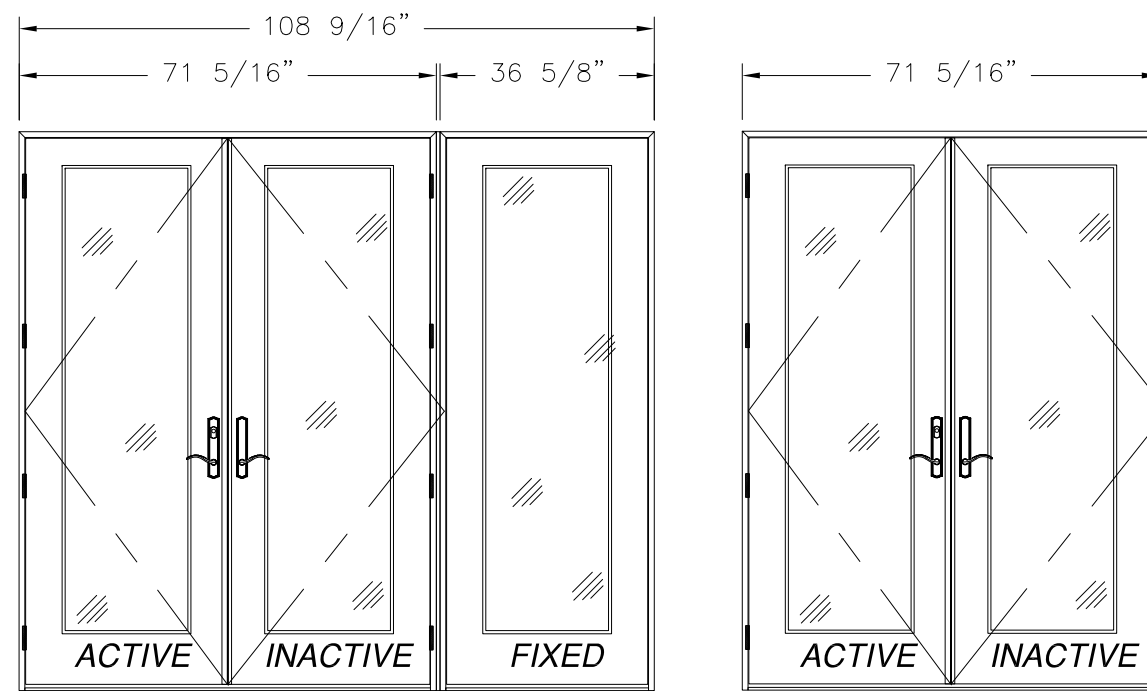
SIGNED: 01/15/2020



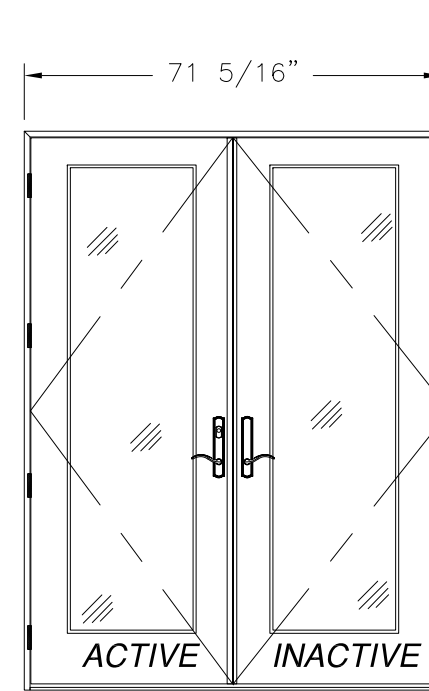
Luis R. Lomas P.E.
TX No.: 101889



DOUBLE W/SIDELITE
EXTERIOR VIEW

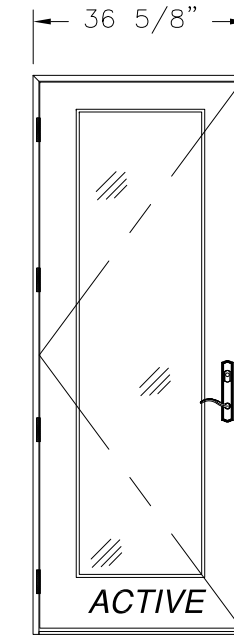


DOUBLE W/SIDELITE (MULL)
EXTERIOR VIEW

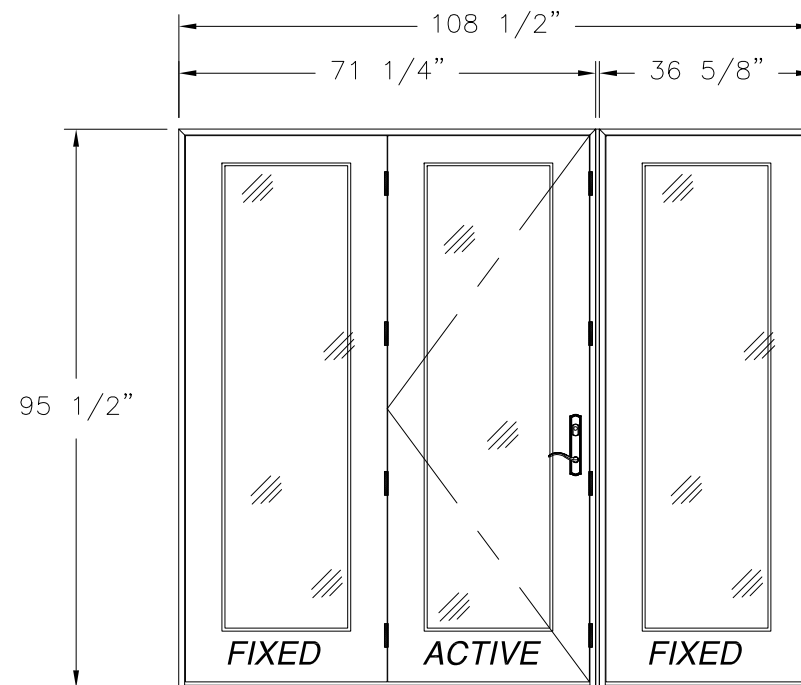


DOUBLE
EXTERIOR VIEW

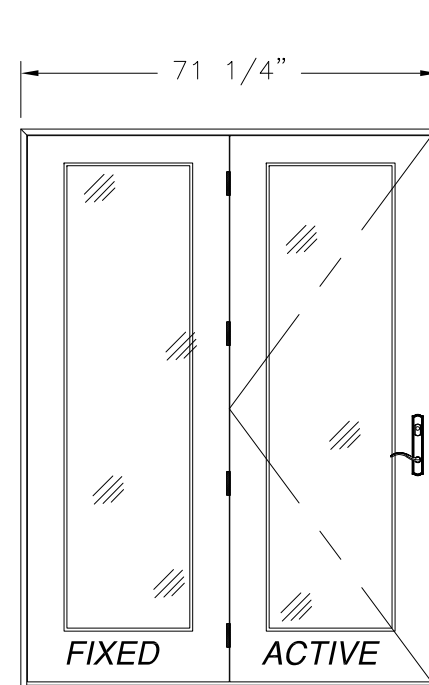
REVISIONS			
REV	DESCRIPTION	DATE	APPROVED
A	UPDATED HARDWARE	10/17/18	R.L.
B	REVISED PER NEW REQUIREMENTS	12/10/19	R.L.



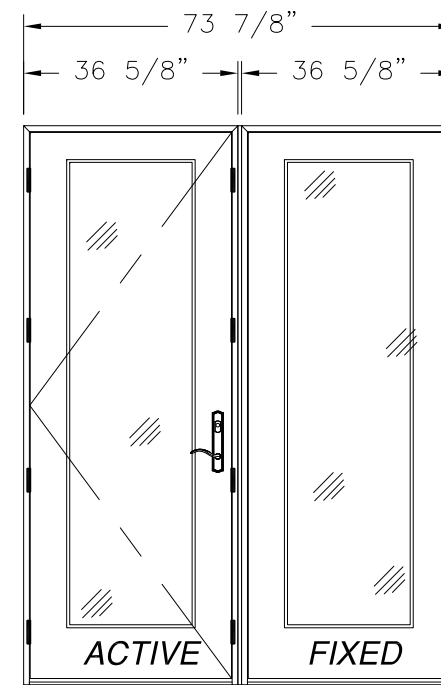
SINGLE
EXTERIOR VIEW



SINGLE W/SIDELITE (MULL)
EXTERIOR VIEW



SINGLE W/SIDELITE
EXTERIOR VIEW



SINGLE W/SIDELITE (MULL)
EXTERIOR VIEW

SIGNED: 01/15/2020

NOTE:
ALL APPROVED CONFIGURATIONS ARE SHOWN AS LEFT HAND ACTIVE, RIGHT HAND ACTIVE IS ALSO APPROVED.

HARDWARE SCHEDULE	
A.	TOP/BOTTOM DRIVE BAR SYSTEM BY NINGBO MICOTA (INACTIVE PANEL)
B.	3 POINT LOCK BY NINGBO MICOTA (ACTIVE PANEL)
C.	(4) 4" X 4" BUTT HINGES BY NINGBO MICOTA (ACTIVE AND INACTIVE)
D.	ALUMINUM & PVC FOAM ASTRAGAL BY NAN YA PLASTICS
E.	ALUMINUM & PVC FOAM MULLION BY NAN YA PLASTICS

NAN YA PLASTICS CORP. USA
8989 NORTH LOOP EAST
HOUSTON, TX 77029

SERIES IN-SWING PATIO DOOR
W/ & W/O SIDELITES
ADDITIONAL CONFIGURATIONS AND HARDWARE

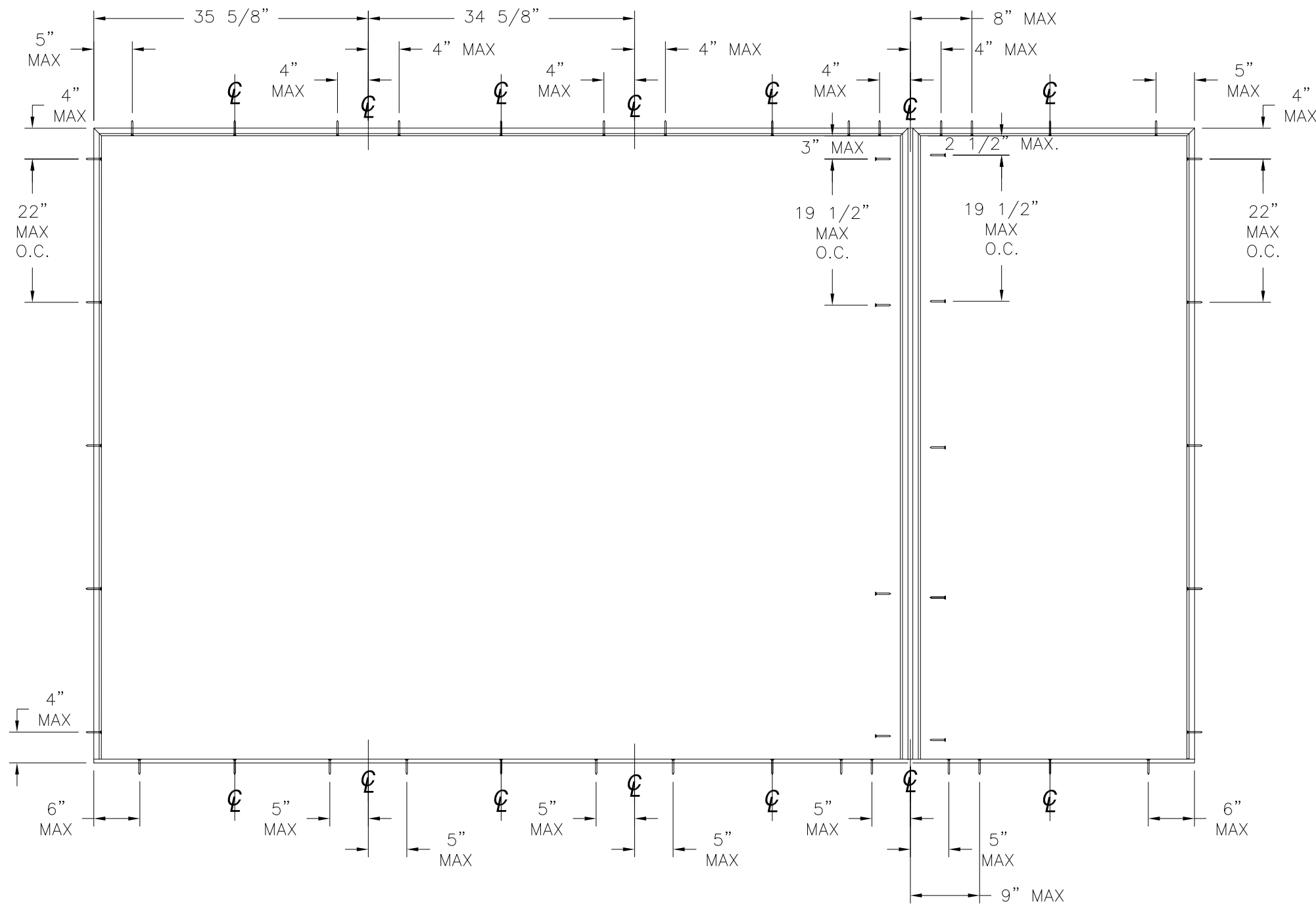
DRAWN: L.M.P.	DWG NO. 08-01535	REV B
SCALE NTS	DATE 04/09/12	SHEET 2 OF 9

L. ROBERTO LOMAS P.E.
1432 WOODFORD RD LEWISVILLE, NC 27023
434-688-0609 rllomas@rlomaspe.com



Luis R. Lomas P.E.
TX No.: 101889

REVISIONS			
REV	DESCRIPTION	DATE	APPROVED
A	UPDATED HARDWARE	10/17/18	R.L.
B	REVISED PER NEW REQUIREMENTS	12/10/19	R.L.



ANCHORING NOTES:

- 1) SHIM AS REQUIRED AT EACH INSTALLATION ANCHOR WITH LOAD BEARING SHIM. SHIM WHERE SPACE OF 1/16" OR GREATER OCCURS. MAXIMUM ALLOWABLE SHIM STACK TO BE 1/4".
- 2) FOR ANCHORING INTO MASONRY/CONCRETE USE 3/16" TAPCON OF SUFFICIENT LENGTH TO ACHIEVE A 1 1/4" MINIMUM EMBEDMENT INTO SUBSTRATE. LOCATE ANCHORS AS SHOWN IN ANCHORING LAYOUT AND INSTALLATION DETAILS.
- 3) FOR ANCHORING INTO 2X BUCK OR WOOD FRAMING USE #10 WOOD SCREW OF SUFFICIENT LENGTH TO ACHIEVE A 1 3/8" MINIMUM EMBEDMENT INTO SUBSTRATE. LOCATE ANCHORS AS SHOWN IN ANCHORING LAYOUT AND INSTALLATION DETAILS.
- 4) ALL FASTENERS TO BE CORROSION RESISTANT.
- 5) INSTALLATION ANCHORS SHALL BE INSTALLED IN ACCORDANCE WITH ANCHOR MANUFACTURER'S INSTALLATION INSTRUCTIONS, AND ANCHORS SHALL NOT BE USED IN SUBSTRATES WITH STRENGTHS LESS THAN THE MINIMUM STRENGTH SPECIFIED BELOW:
 - A. WOOD – MINIMUM SPECIFIC GRAVITY OF G=0.42
 - B. CONCRETE – MINIMUM COMPRESSIVE STRENGTH OF 3,200 PSI.
 - C. MASONRY – GROUT FILLED STRENGTH CONFORMANCE TO ASTM C-90, GRADE N, TYPE 1 (OR GREATER).

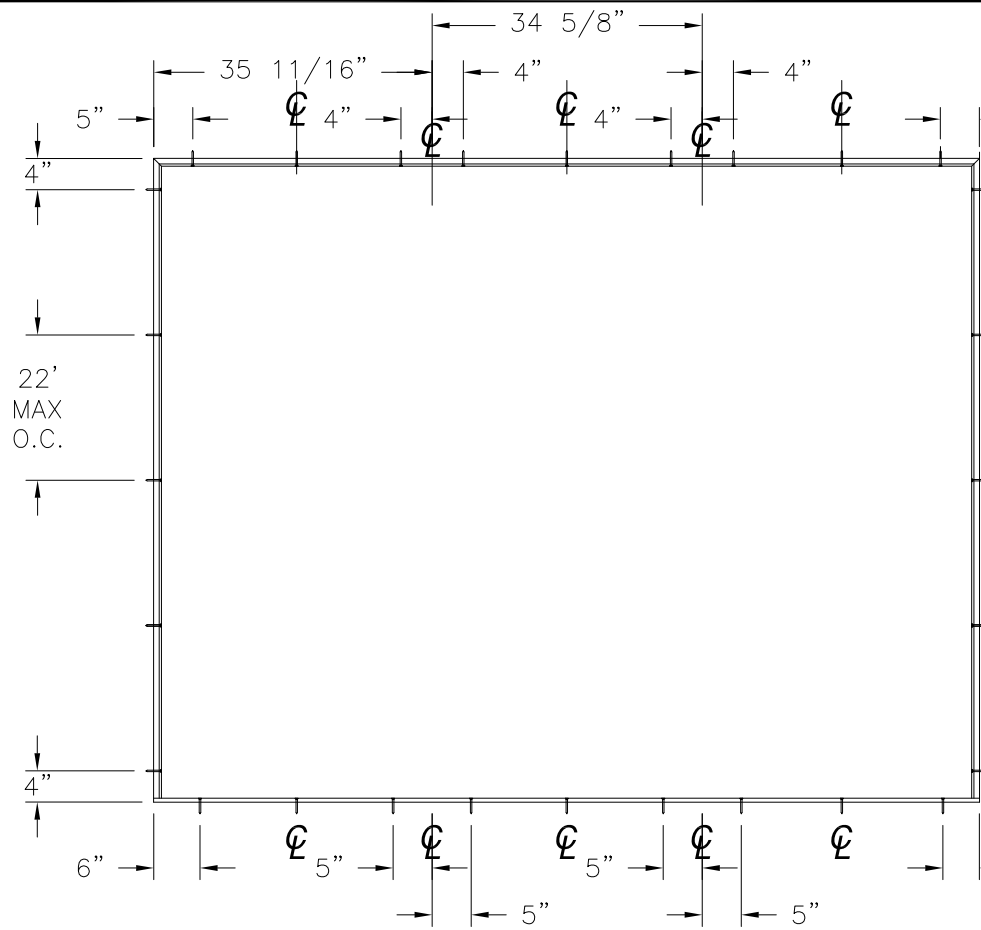
ANCHORING LAYOUT

SIGNED: 01/15/2020

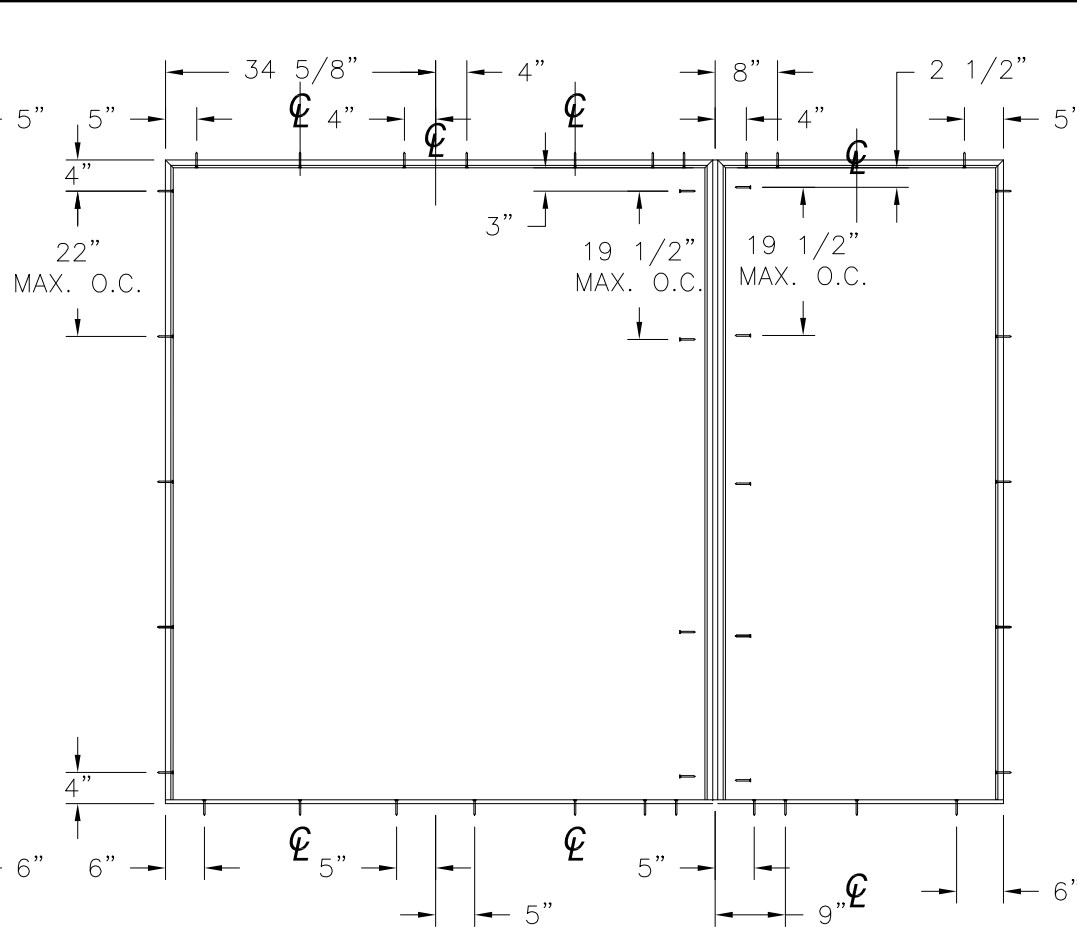
NAN YA PLASTICS CORP. USA 8989 NORTH LOOP EAST HOUSTON, TX 77029		
SERIES IN-SWING PATIO DOOR W/ & W/O SIDELITES ANCHORING LAYOUTS		
DRAWN: L.M.P.	DWG NO. 08-01535	REV B
SCALE NTS	DATE 04/09/12	SHEET 3 OF 9
L. ROBERTO LOMAS P.E. 1432 WOODFORD RD LEWISVILLE, NC 27023 434-688-0609 rllomas@rlomaspe.com		



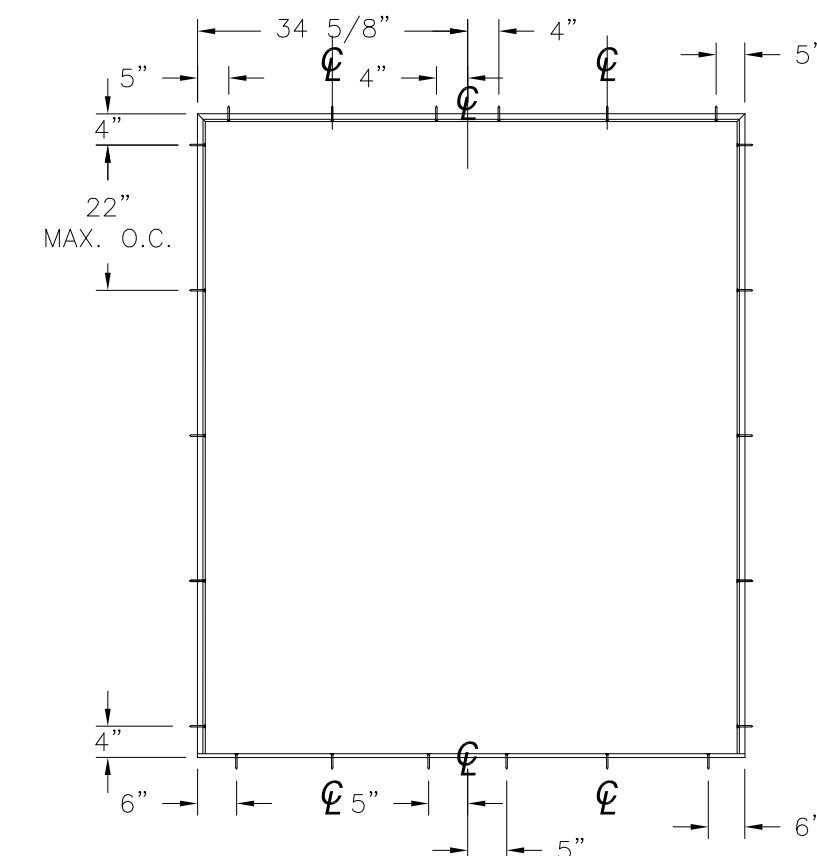
Luis R. Lomas P.E.
 TX No.: 101889



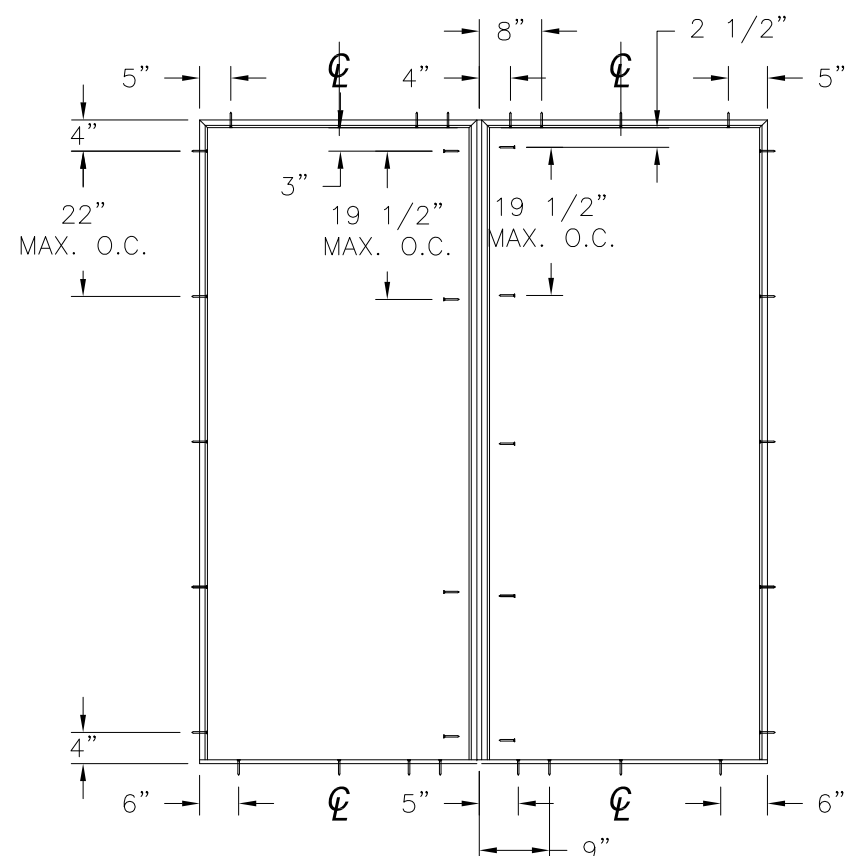
ANCHORING LAYOUT FOR OXO, XXO AND OXX



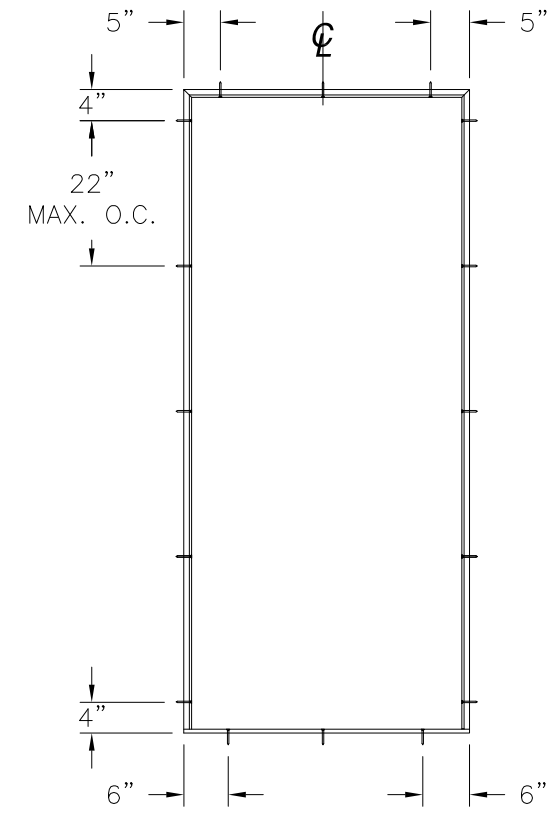
ANCHORING LAYOUT FOR OXO, XXO AND OXX (MULL)



ANCHORING LAYOUT FOR XX, OX AND XO



ANCHORING LAYOUT FOR OX AND XO (MULL)



ANCHORING LAYOUT FOR X

REVISIONS			
REV	DESCRIPTION	DATE	APPROVED
A	UPDATED HARDWARE	10/17/18	R.L.
B	REVISED PER NEW REQUIREMENTS	12/10/19	R.L.

NAN YA PLASTICS CORP. USA
 8989 NORTH LOOP EAST
 HOUSTON, TX 77029

SERIES IN-SWING PATIO DOOR
 W/ & W/O SIDELITES
 ANCHORING LAYOUTS

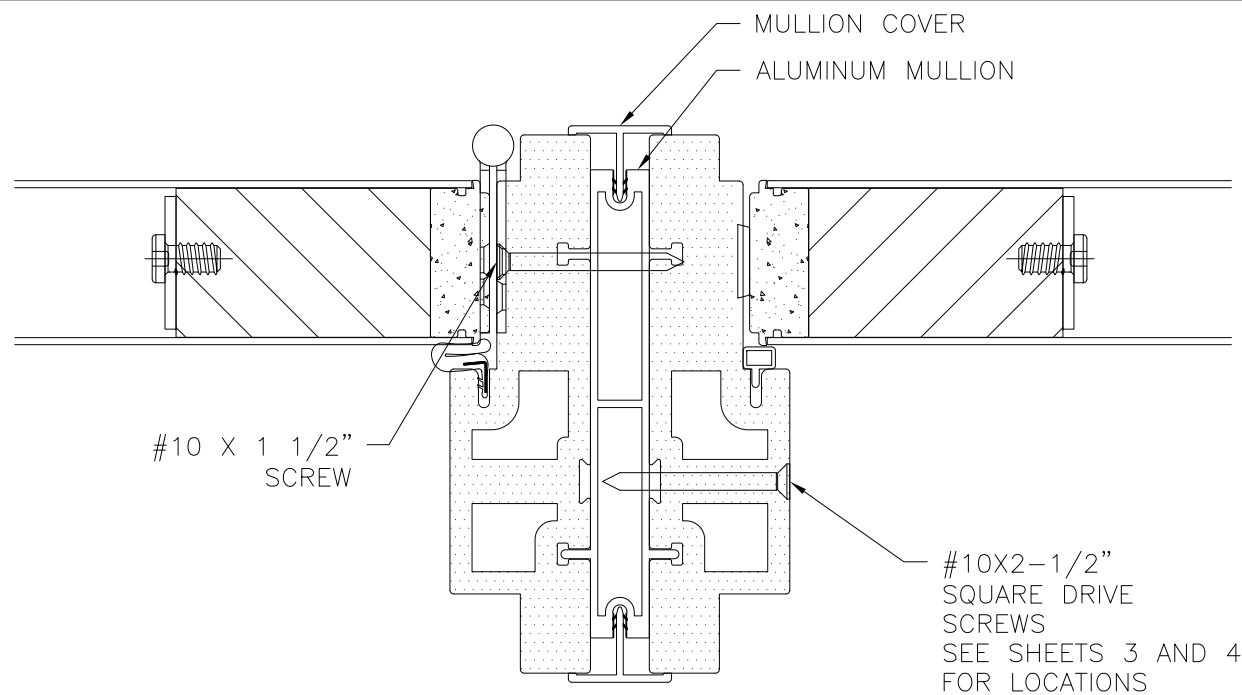
DRAWN: L.M.P.	DWG NO. 08-01535	REV B
SCALE NTS	DATE 04/09/12	SHEET 4 OF 9

L. ROBERTO LOMAS P.E.
 1432 WOODFORD RD LEWISVILLE, NC 27023
 434-688-0609 rllomas@rlomaspe.com

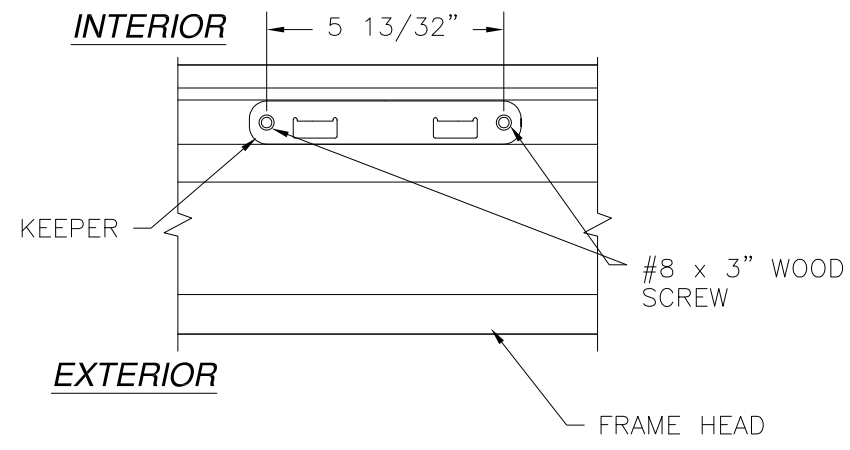
SIGNED: 01/15/2020



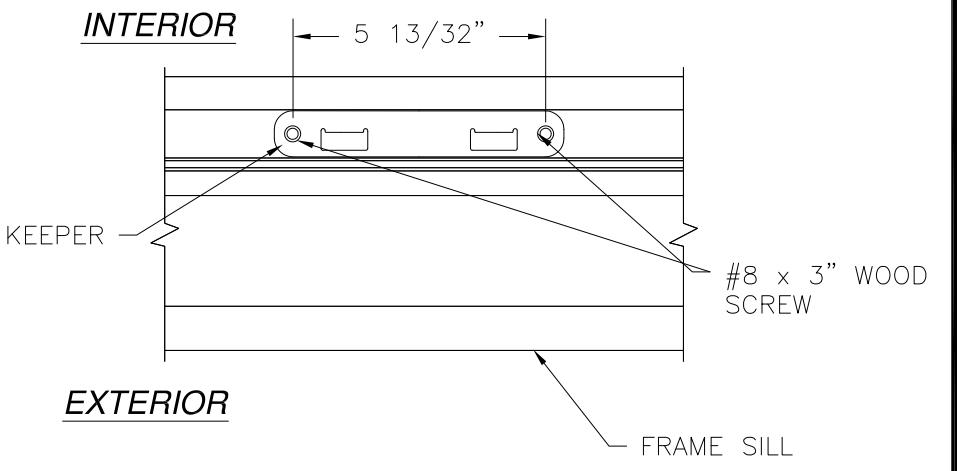
Luis R. Lomas P.E.
 TX No.: 101889



MULLION DETAIL

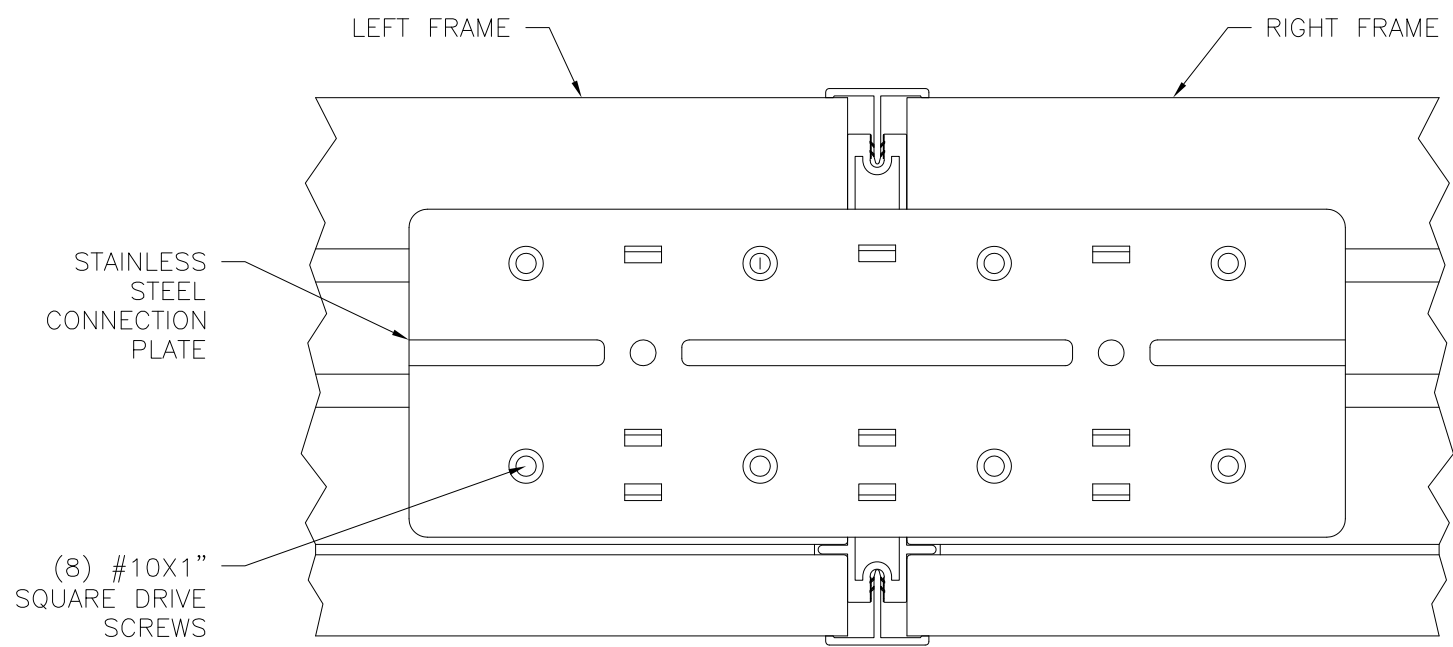


HEAD KEEPER DETAIL

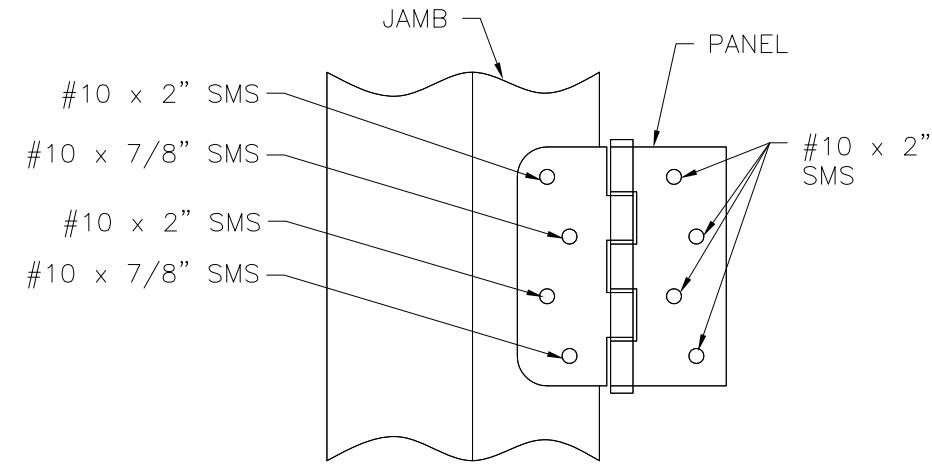


SILL KEEPER DETAIL

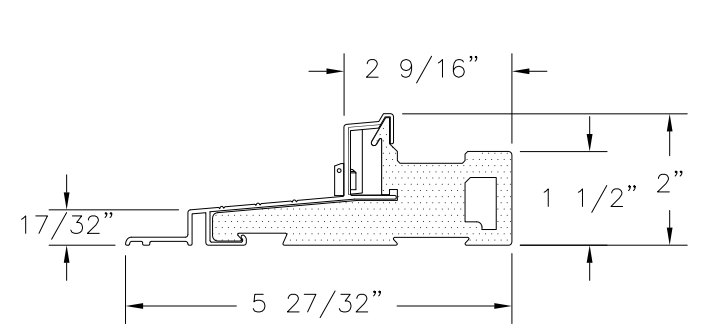
REVISIONS			
REV	DESCRIPTION	DATE	APPROVED
A	UPDATED HARDWARE	10/17/18	R.L.
B	REVISED PER NEW REQUIREMENTS	12/10/19	R.L.



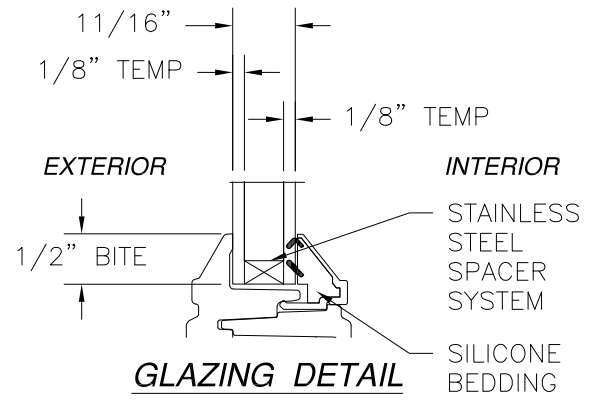
FRAME CONNECTION DETAIL



HINGE INSTALLATION DETAIL



DOOR SILL



GLAZING DETAIL

NAN YA PLASTICS CORP. USA
 8989 NORTH LOOP EAST
 HOUSTON, TX 77029

SERIES IN-SWING PATIO DOOR
 W/ & W/O SIDELITES
 INSTALLATION DETAILS

DRAWN: L.M.P.	DWG NO. 08-01535	REV B
SCALE NTS	DATE 04/09/12	SHEET 5 OF 9

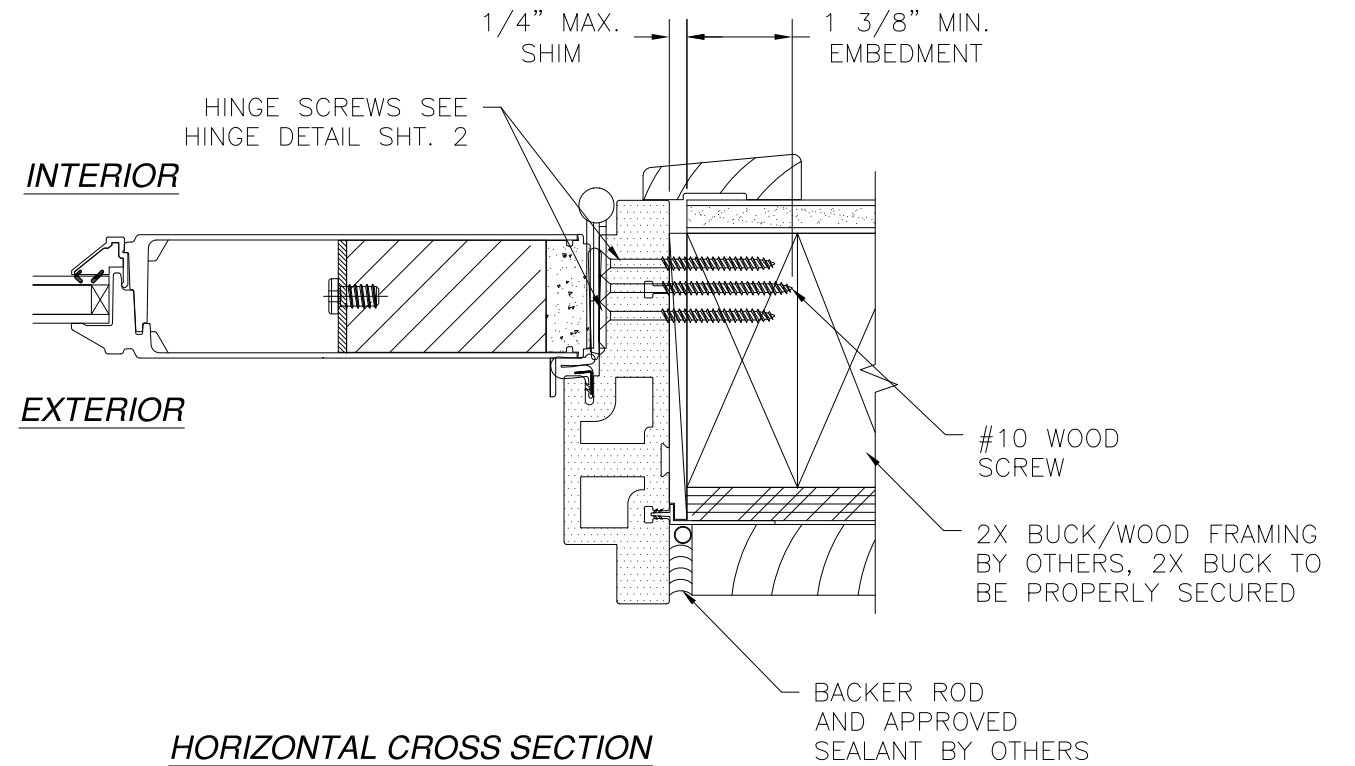
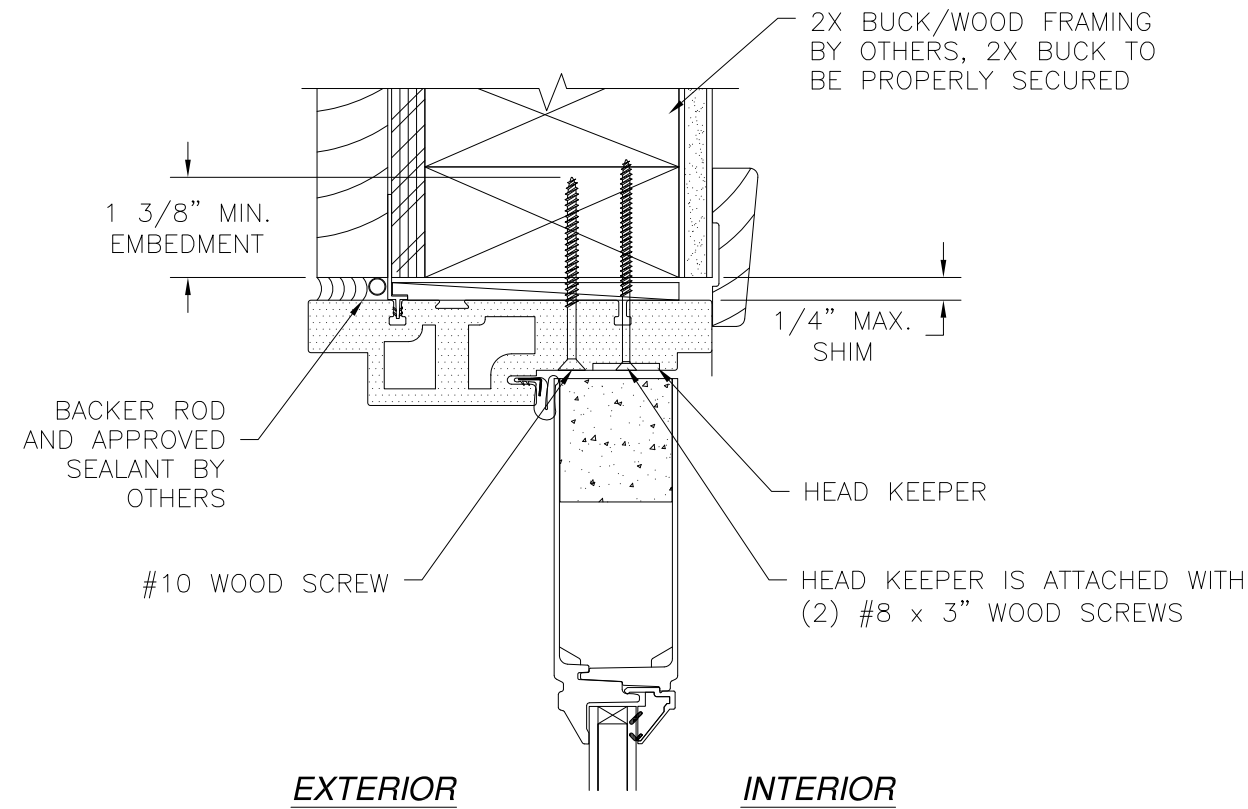
L. ROBERTO LOMAS P.E.
 1432 WOODFORD RD LEWISVILLE, NC 27023
 434-688-0609 rllomas@rlomaspe.com

SIGNED: 01/15/2020



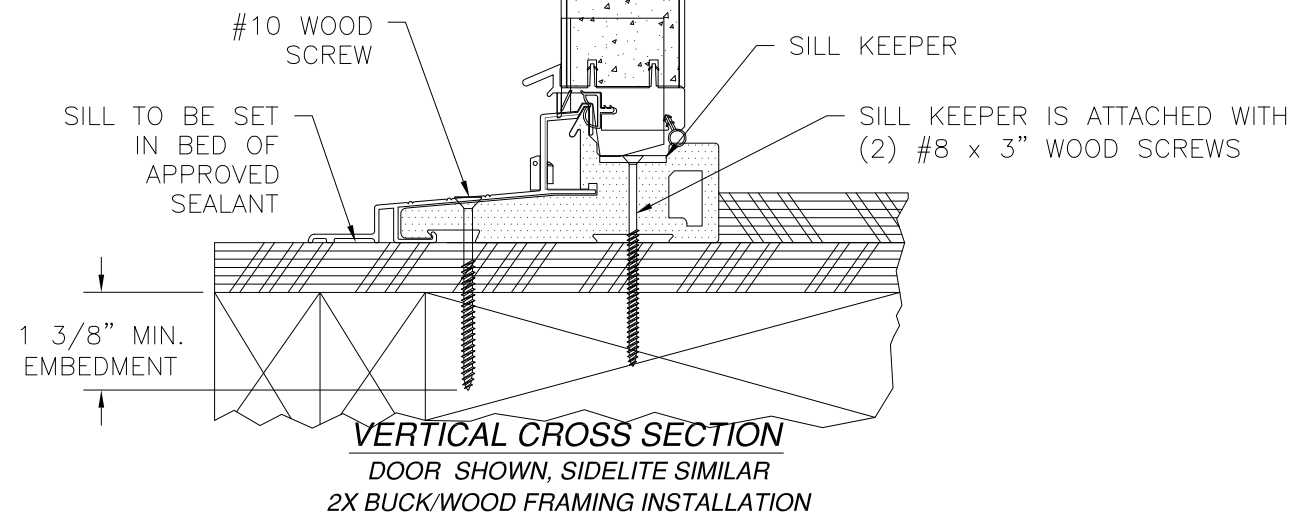
Luis R. Lomas P.E.
 TX No.: 101889

REVISIONS			
REV	DESCRIPTION	DATE	APPROVED
A	UPDATED HARDWARE	10/17/18	R.L.
B	REVISED PER NEW REQUIREMENTS	12/10/19	R.L.



**HORIZONTAL CROSS SECTION
HINGE JAMB DETAIL
2X BUCK/WOOD FRAMING INSTALLATION**

- NOTES:**
 1. INTERIOR AND EXTERIOR FINISHES, BY OTHERS, NOT SHOWN FOR CLARITY.
 2. PERIMETER AND JOINT SEALANT BY OTHERS TO BE DESIGNED IN ACCORDANCE WITH ASTM E2112



**VERTICAL CROSS SECTION
DOOR SHOWN, SIDELITE SIMILAR
2X BUCK/WOOD FRAMING INSTALLATION**

SIGNED: 01/15/2020

NAN YA PLASTICS CORP. USA
 8989 NORTH LOOP EAST
 HOUSTON, TX 77029

SERIES IN-SWING PATIO DOOR
 W/ & W/O SIDELITES
 INSTALLATION DETAILS

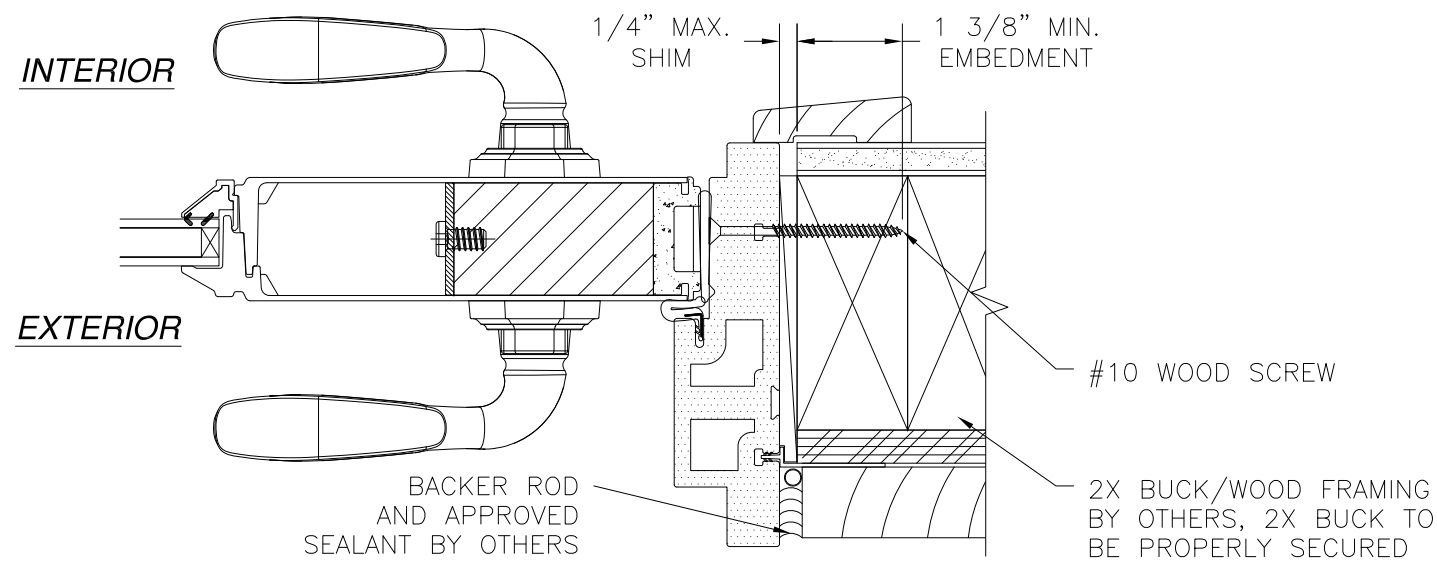
DRAWN: L.M.P.	DWG NO. 08-01535	REV B
SCALE NTS	DATE 04/09/12	SHEET 6 OF 9

L. ROBERTO LOMAS P.E.
 1432 WOODFORD RD LEWISVILLE, NC 27023
 434-688-0609 rllomas@rlomaspe.com

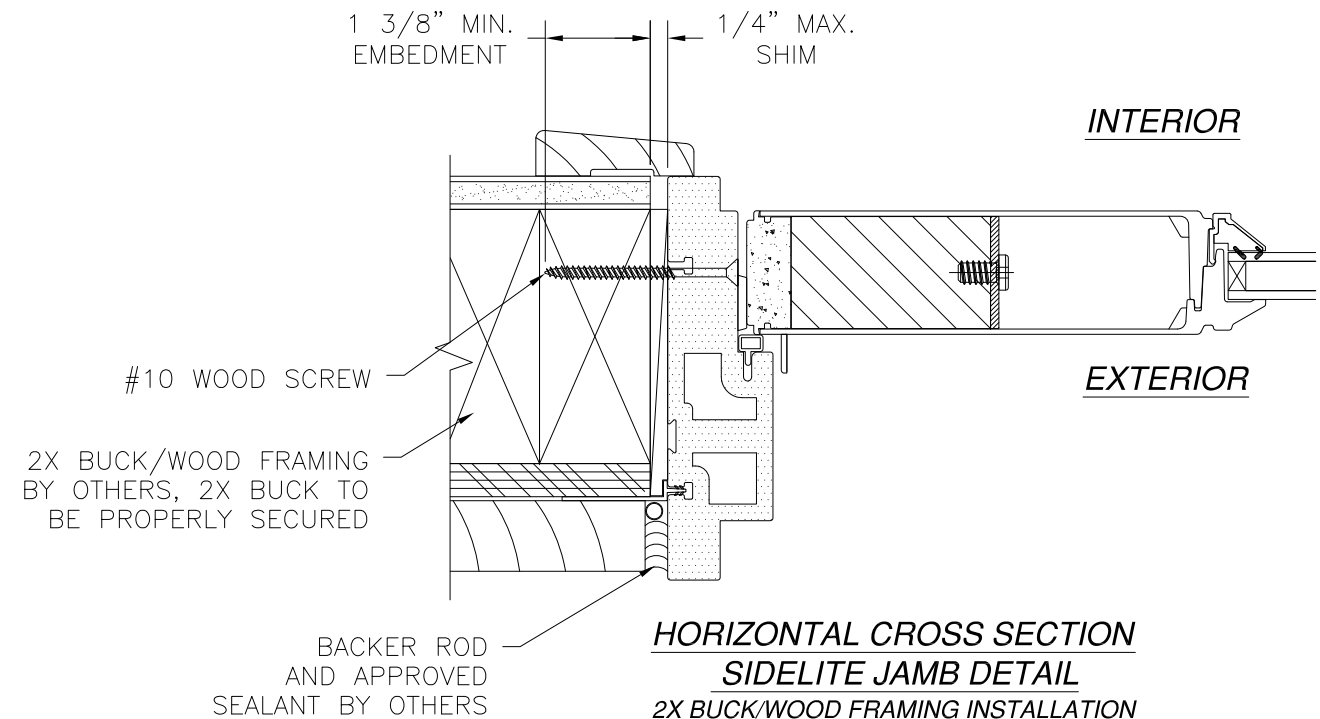


Luis R. Lomas P.E.
 TX No.: 101889

REVISIONS			
REV	DESCRIPTION	DATE	APPROVED
A	UPDATED HARDWARE	10/17/18	R.L.
B	REVISED PER NEW REQUIREMENTS	12/10/19	R.L.



**HORIZONTAL CROSS SECTION
STRIKE JAMB DETAIL**
2X BUCK/WOOD FRAMING INSTALLATION



**HORIZONTAL CROSS SECTION
SIDELITE JAMB DETAIL**
2X BUCK/WOOD FRAMING INSTALLATION

NOTES:
 1. INTERIOR AND EXTERIOR FINISHES, BY OTHERS,
 NOT SHOWN FOR CLARITY.
 2. PERIMETER AND JOINT SEALANT BY OTHERS TO BE
 DESIGNED IN ACCORDANCE WITH ASTM E2112

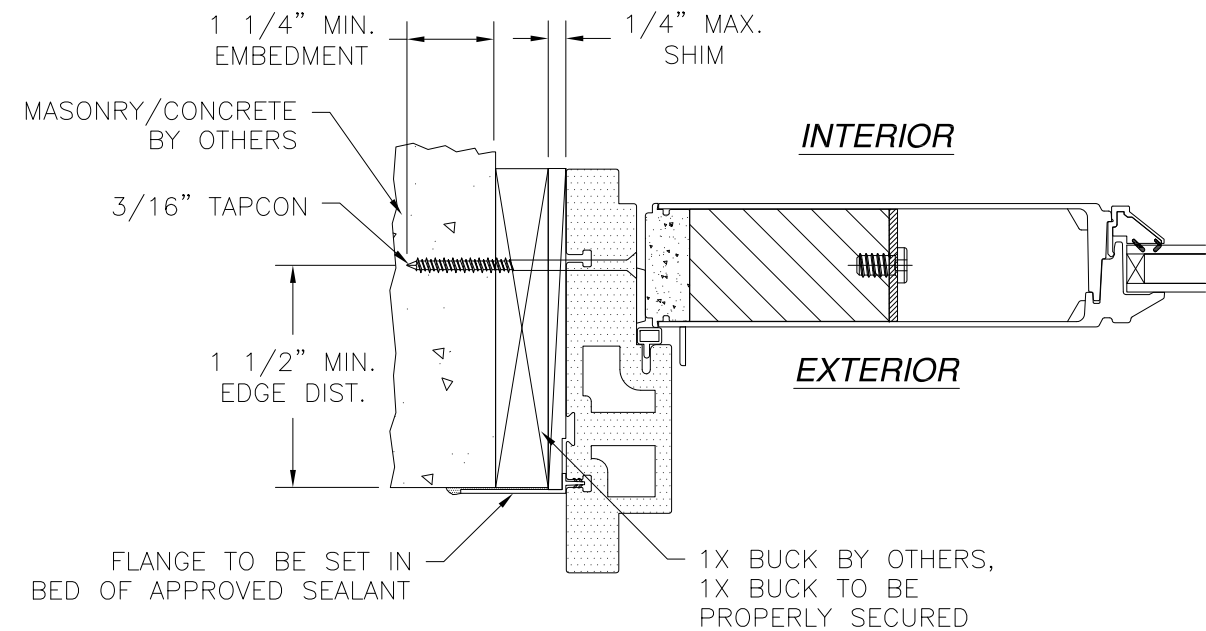
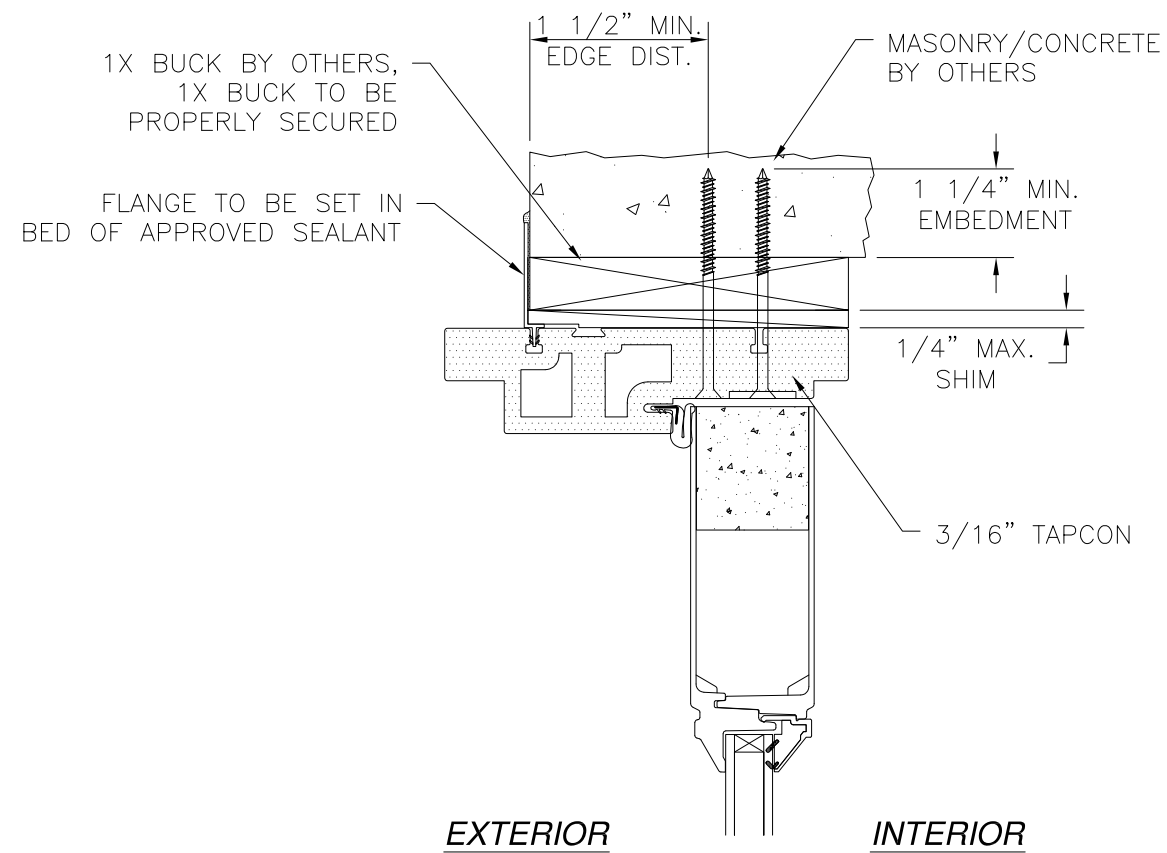
SIGNED: 01/15/2020

NAN YA PLASTICS CORP. USA 8989 NORTH LOOP EAST HOUSTON, TX 77029		
SERIES IN-SWING PATIO DOOR W/ & W/O SIDELITES INSTALLATION DETAILS		
DRAWN: L.M.P.	DWG NO. 08-01535	REV B
SCALE NTS	DATE 04/09/12	SHEET 7 OF 9
L. ROBERTO LOMAS P.E. 1432 WOODFORD RD LEWISVILLE, NC 27023 434-688-0609 rllomas@rlomaspe.com		



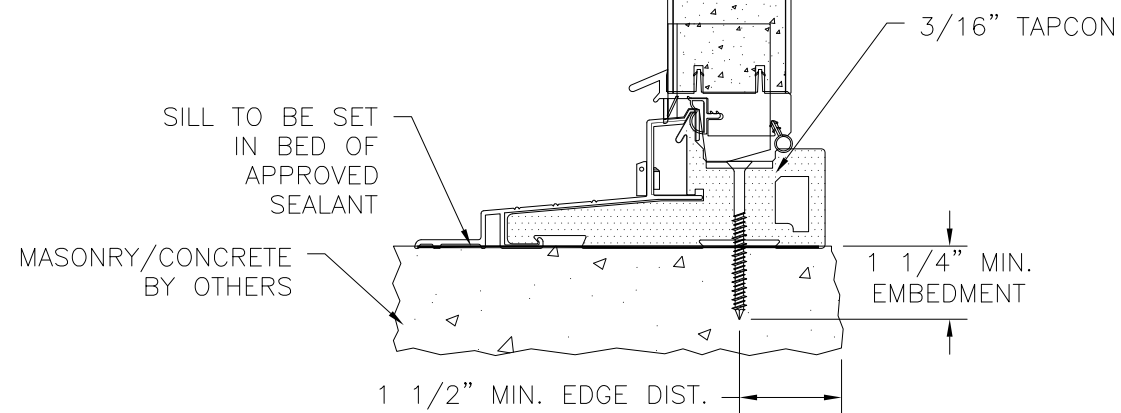
Luis R. Lomas P.E.
 TX No.: 101889

REVISIONS			
REV	DESCRIPTION	DATE	APPROVED
A	UPDATED HARDWARE	10/17/18	R.L.
B	REVISED PER NEW REQUIREMENTS	12/10/19	R.L.



MASONRY/CONCRETE INSTALLATION
DOOR JAMB SHOWN, SIDELITE JAMB SIMILAR

- NOTES:**
1. INTERIOR AND EXTERIOR FINISHES, BY OTHERS, NOT SHOWN FOR CLARITY.
 2. PERIMETER AND JOINT SEALANT BY OTHERS TO BE DESIGNED IN ACCORDANCE WITH ASTM E2112



MASONRY/CONCRETE INSTALLATION
DOOR SHOWN SIDELITE SIMILAR

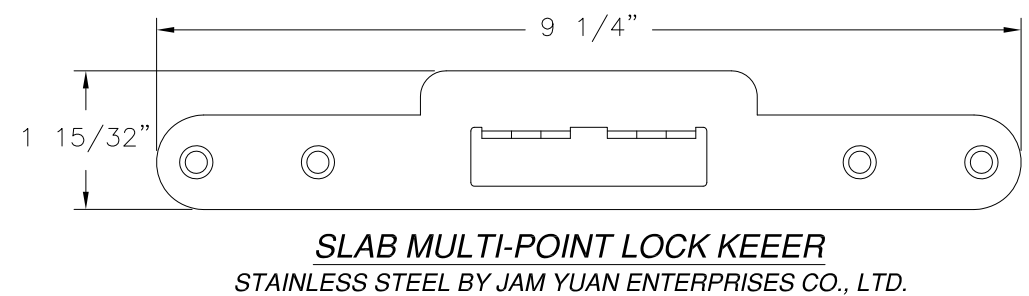
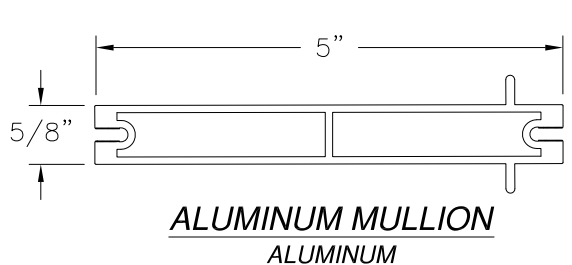
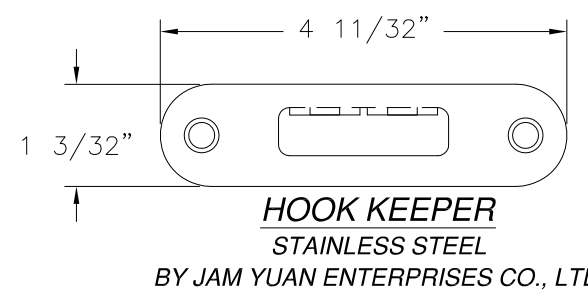
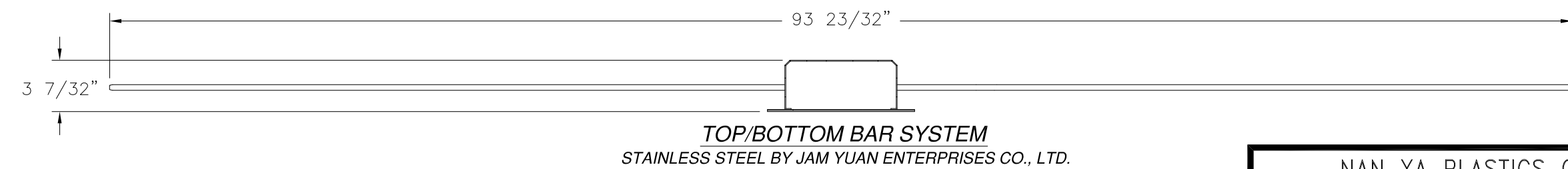
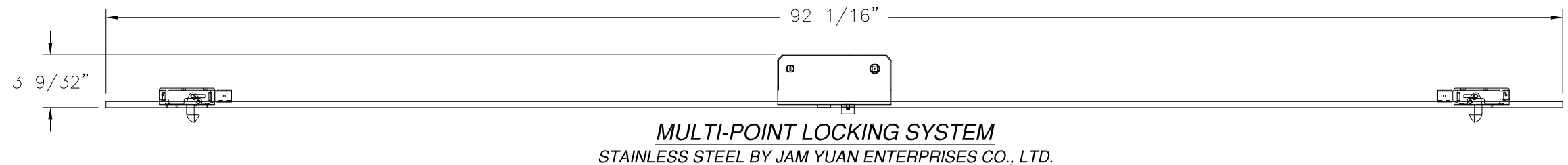
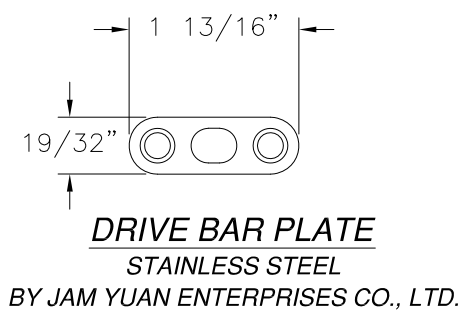
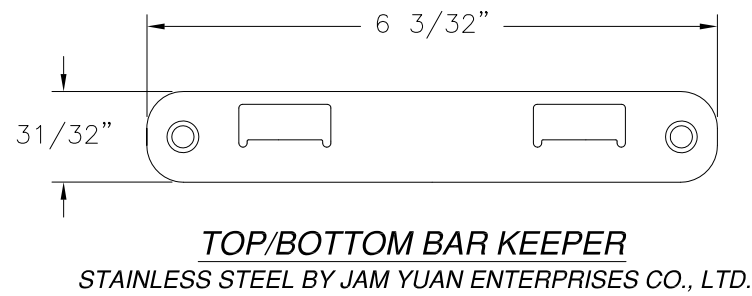
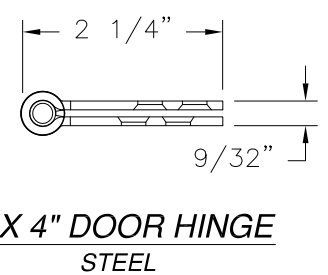
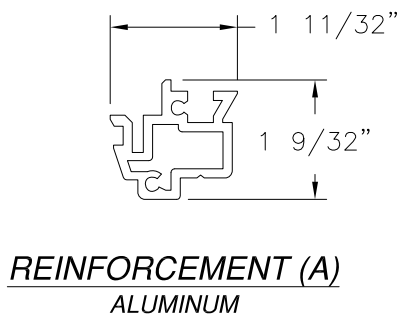
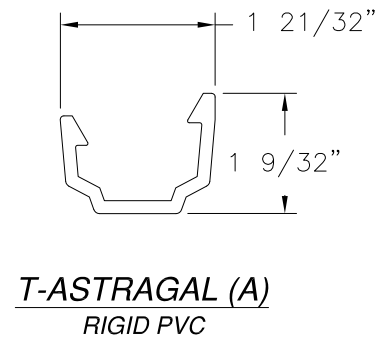
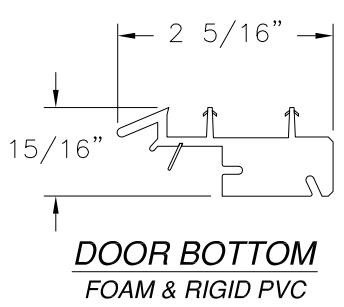
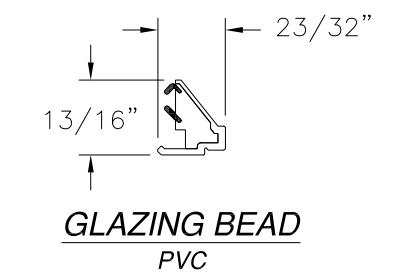
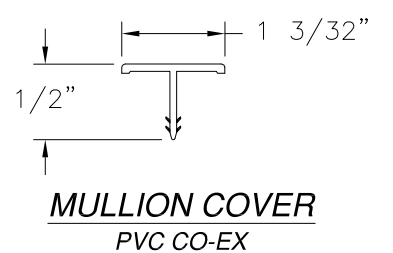
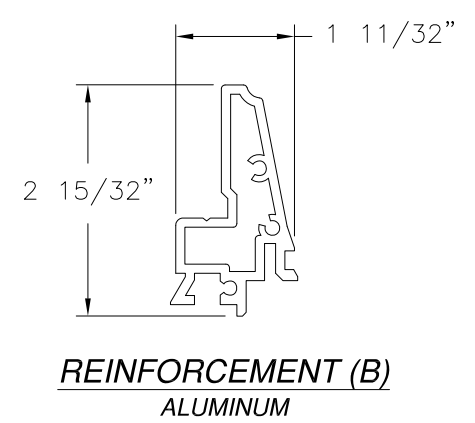
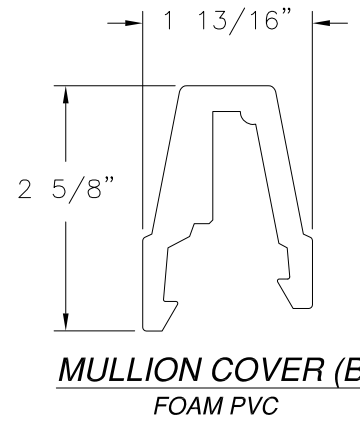
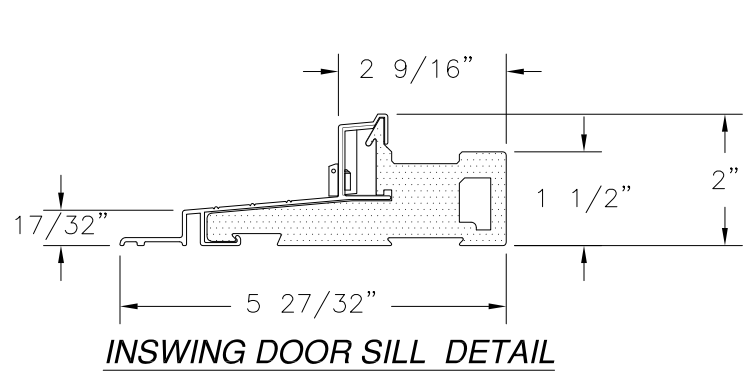
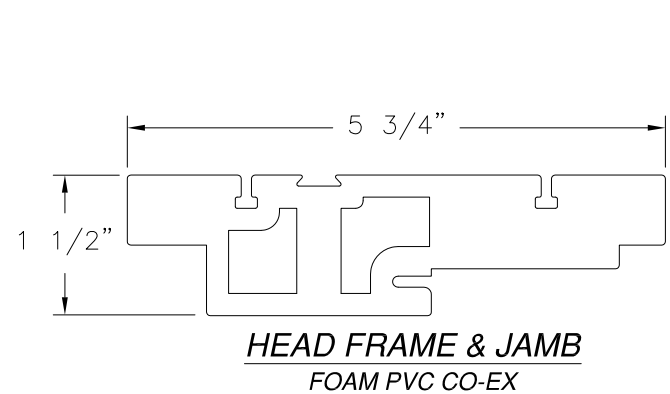
SIGNED: 01/15/2020

<p>NAN YA PLASTICS CORP. USA 8989 NORTH LOOP EAST HOUSTON, TX 77029</p>		
<p>SERIES IN-SWING PATIO DOOR W/ & W/O SIDELITES INSTALLATION DETAILS</p>		
<p>DRAWN: L.M.P.</p>	<p>DWG NO. 08-01535</p>	<p>REV B</p>
<p>SCALE NTS</p>	<p>DATE 04/09/12</p>	<p>SHEET 8 OF 9</p>
<p>L. ROBERTO LOMAS P.E. 1432 WOODFORD RD LEWISVILLE, NC 27023 434-688-0609 rllomas@rlomaspe.com</p>		



Luis R. Lomas P.E.
TX No.: 101889

REVISIONS			
REV	DESCRIPTION	DATE	APPROVED
A	UPDATED HARDWARE	10/17/18	R.L.
B	REVISED PER NEW REQUIREMENTS	12/10/19	R.L.



SIGNED: 01/15/2020

NAN YA PLASTICS CORP. USA
8989 NORTH LOOP EAST
HOUSTON, TX 77029

SERIES IN-SWING PATIO DOOR
W/ & W/O SIDELITES
INSTALLATION DETAILS

DRAWN: L.M.P.	DWG NO. 08-01535	REV B
SCALE NTS	DATE 04/09/12	SHEET 8 OF 9

L. ROBERTO LOMAS P.E.
1432 WOODFORD RD LEWISVILLE, NC 27023
434-688-0609 rllomas@rlomaspe.com



Luis R. Lomas P.E.
TX No.: 101889