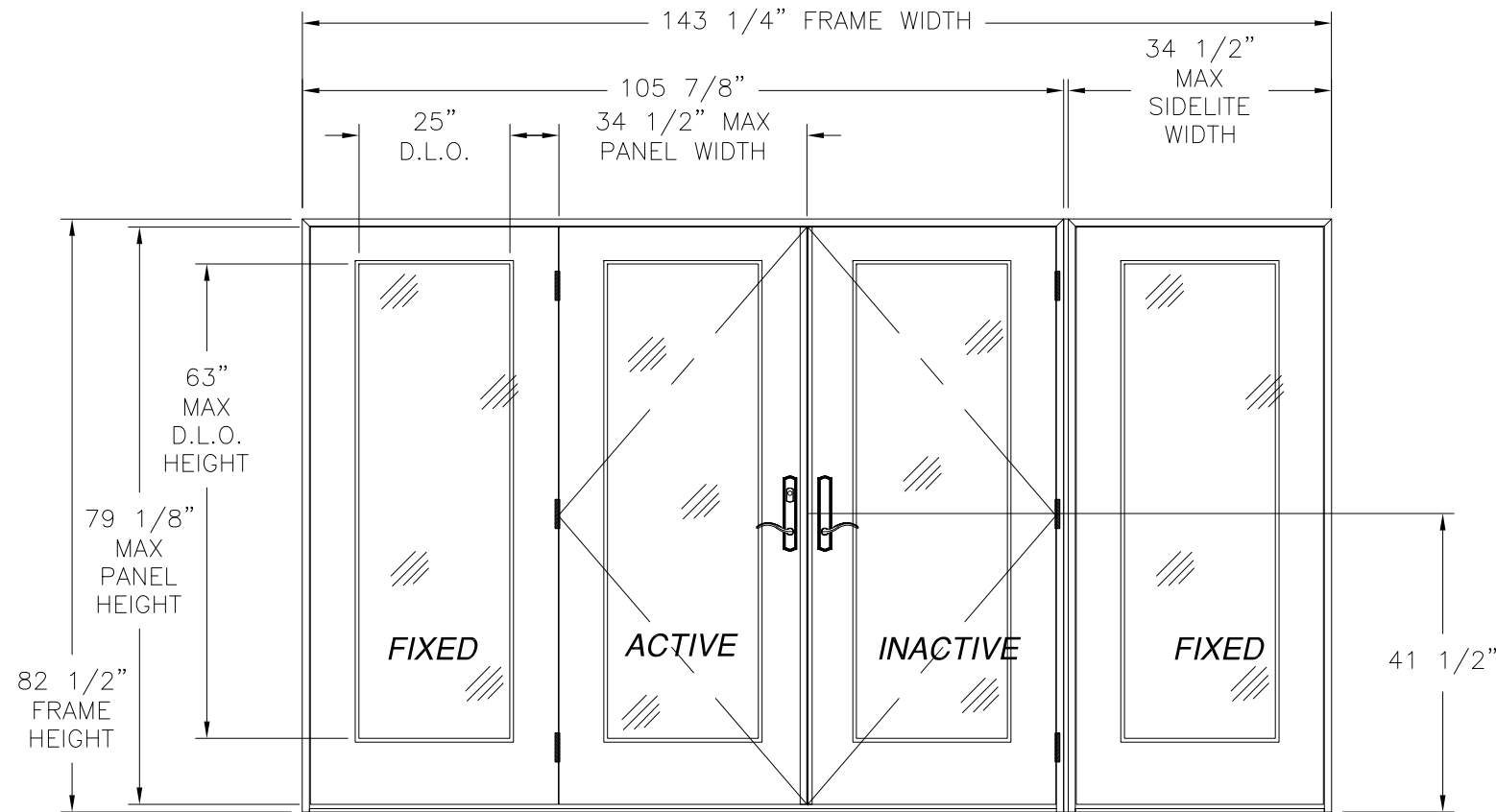


REVISIONS			
REV	DESCRIPTION	DATE	APPROVED
A	REVISED SIDELITES INSTALLATION DETAILS	05/29/18	R.L.



NOTES:

1. THE PRODUCT SHOWN HEREIN IS DESIGNED AND MANUFACTURED TO COMPLY WITH REQUIREMENTS OF THE 2006 IBC AND THE 2006 IRC WITH STATE OF TEXAS MODIFICATIONS AND WITH THE 2009 IBC, 2009 IRC, 2012 IBC, 2012 IRC, 2015 IBC AND 2015 IRC.
2. WOOD FRAMING AND MASONRY OPENING TO BE DESIGNED AND ANCHORED TO PROPERLY TRANSFER ALL LOADS TO STRUCTURE. FRAMING AND MASONRY OPENING IS THE RESPONSIBILITY OF THE ARCHITECT OR ENGINEER OF RECORD.
3. 1X BUCK OVER MASONRY/CONCRETE IS OPTIONAL. WHERE 1X BUCK IS NOT USED DISSIMILAR MATERIALS MUST BE SEPARATED WITH APPROVED COATING OR MEMBRANE. SELECTION OF COATING OR MEMBRANE IS THE RESPONSIBILITY OF THE ARCHITECT OR ENGINEER OF RECORD.
4. UNITS MUST BE GLAZED PER ASTM E1300-04/09, SEE SHEET 5 FOR GLASS DETAILS.
5. APPROVED IMPACT PROTECTIVE SYSTEM IS NOT REQUIRED FOR THIS PRODUCT IN WIND BORNE DEBRIS REGIONS.
6. FRAME JAMB AND HEAD MATERIAL: CO-EXTRUDED PVC FOAM 1 1/2" THICK.
7. FRAME SILL MATERIAL: CO-EXTRUDED PVC FOAM 2" THICK WITH ALUMINUM CLADDING .063" THICK.
8. DOOR PANEL AND SIDELITE MATERIAL: .075" THICK FIBERGLASS SKIN WITH PVC FOAM TOP AND BOTTOM RAILS, AND PVC FOAM VERTICAL STILES WITH PINE REINFORCEMENTS AND POLYURETHANE FOAM CORE.
9. APPROVED CONFIGURATIONS: O, X, OX, XO, XX, OXO, XXO, OXX AND OXXO. SEE SHEET 2.
10. HINGES LOCATED AT 8 3/4", 39 1/2", AND 71 3/8" FROM TOP OF PANEL

IN-SWING ENTRANCE DOOR
DOUBLE DOOR W/ SIDELITES
 EXTERIOR VIEW

DESIGN PRESSURE RATING	IMPACT RATING
±50.0PSF	LARGE AND SMALL MISSILE IMPACT

MISSILE LEVEL D, WIND ZONE 4

34 1/2" X 78 1/8" PANELS ARE SHOWN. OTHER PANEL SIZES ARE APPROVED AS LONG AS PANEL AREA DOES NOT EXCEED 18.71 FT²

TABLE OF CONTENTS	
SHEET NO.	DESCRIPTION
1	ELEVATION AND NOTES
2	ADDITIONAL CONFIGURATIONS AND HARDWARE
3 - 4	ANCHORING LAYOUTS
5 - 9	INSTALLATION DETAILS

NAN YA PLASTICS CORP. USA
 8989 NORTH LOOP EAST
 HOUSTON, TX 77029

IN-SWING ENTRANCE DOOR W/ SIDELITES
 FIBERGLASS IMPACT GLAZED
 OXXO ELEVATION AND NOTES

DRAWN: V.L.	DWG NO. 08-01553	REV A
SCALE NTS	DATE 05/31/12	SHEET 1 OF 9

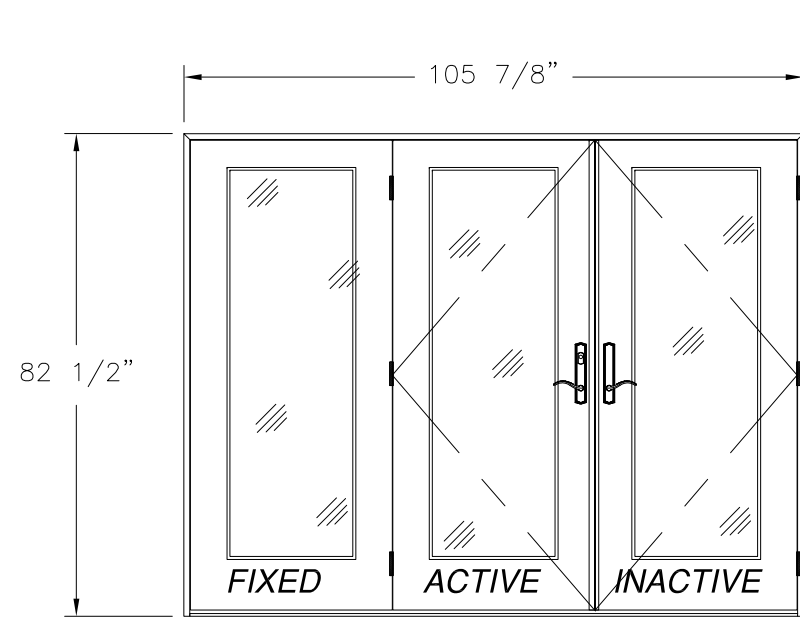
L. ROBERTO LOMAS P.E.
 1432 WOODFORD RD LEWISVILLE, NC 27023
 434-688-0609 rllomas@rlomaspe.com

SIGNED: 04/30/2019

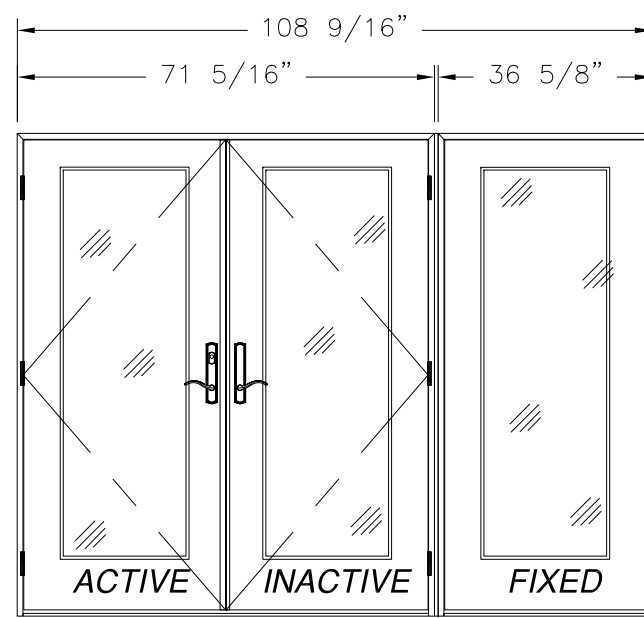


Luis R. Lomas P.E.
 TX No. 101889

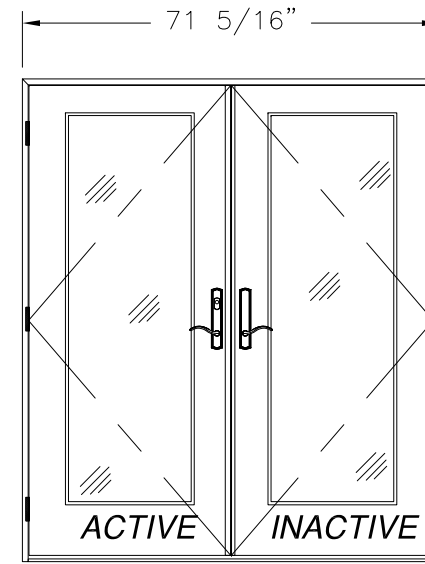
REVISIONS			
REV	DESCRIPTION	DATE	APPROVED
A	REVISED SIDELITES INSTALLATION DETAILS	05/29/18	R.L.



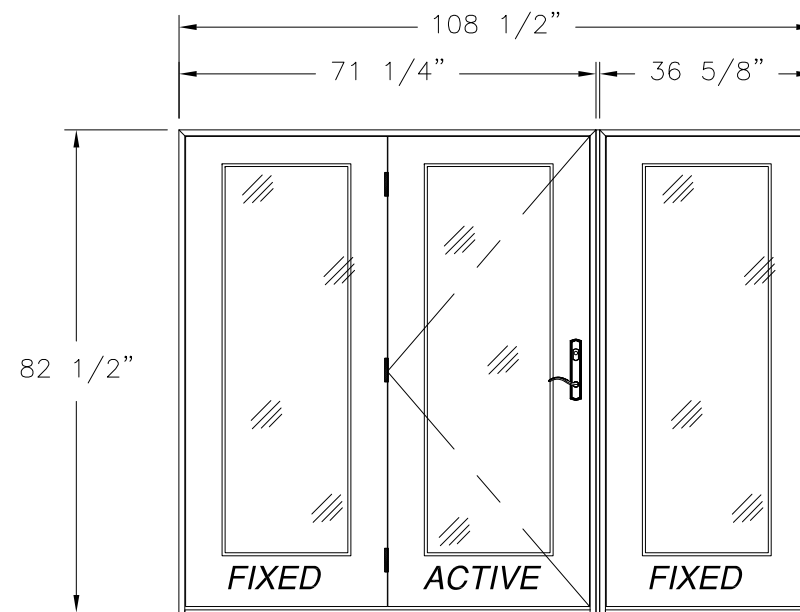
DOUBLE W/SIDELITE
EXTERIOR VIEW



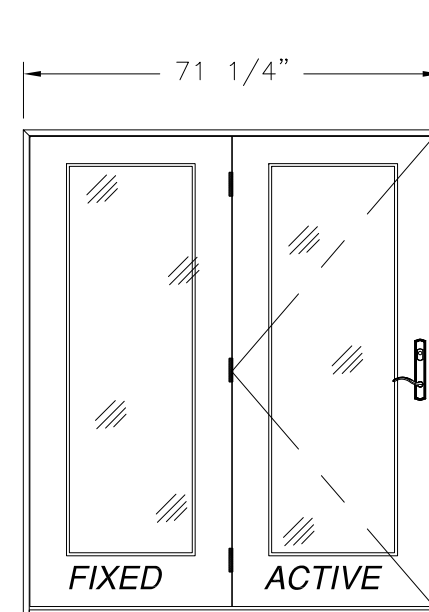
DOUBLE W/SIDELITE (MULL)
EXTERIOR VIEW



DOUBLE
EXTERIOR VIEW



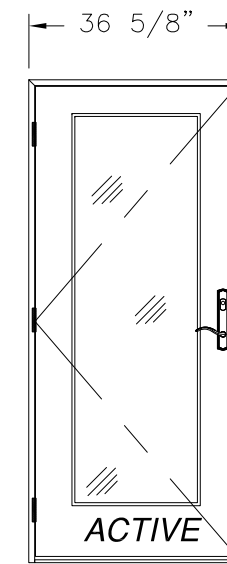
SINGLE W/SIDELITE (MULL)
EXTERIOR VIEW



SINGLE W/SIDELITE
EXTERIOR VIEW



SINGLE W/SIDELITE (MULL)
EXTERIOR VIEW



SINGLE
EXTERIOR VIEW

SIGNED: 04/30/2019

HARDWARE SCHEDULE	
A.	2 POINT LOCK BY JAM YUAN ENTERPRISES CO., LTD (INACTIVE)
B.	(4) 4"x4" BUTT HINGES BY WENZHOU LONGTAI (PER PANEL)
C.	ALUMINUM & PVC FOAM ASTRAGAL BY NAN YA PLASTICS
D.	ALUMINUM & PVC FOAM MULLION BY NAN YA PLASTICS

NAN YA PLASTICS CORP. USA
8989 NORTH LOOP EAST
HOUSTON, TX 77029

IN-SWING ENTRANCE DOOR W/ SIDELITES
FIBERGLASS IMPACT GLAZED
ADDITIONAL CONFIGURATIONS AND HARDWARE

DRAWN: V.L.	DWG NO. 08-01553	REV A
SCALE NTS	DATE 05/31/12	SHEET 2 OF 9

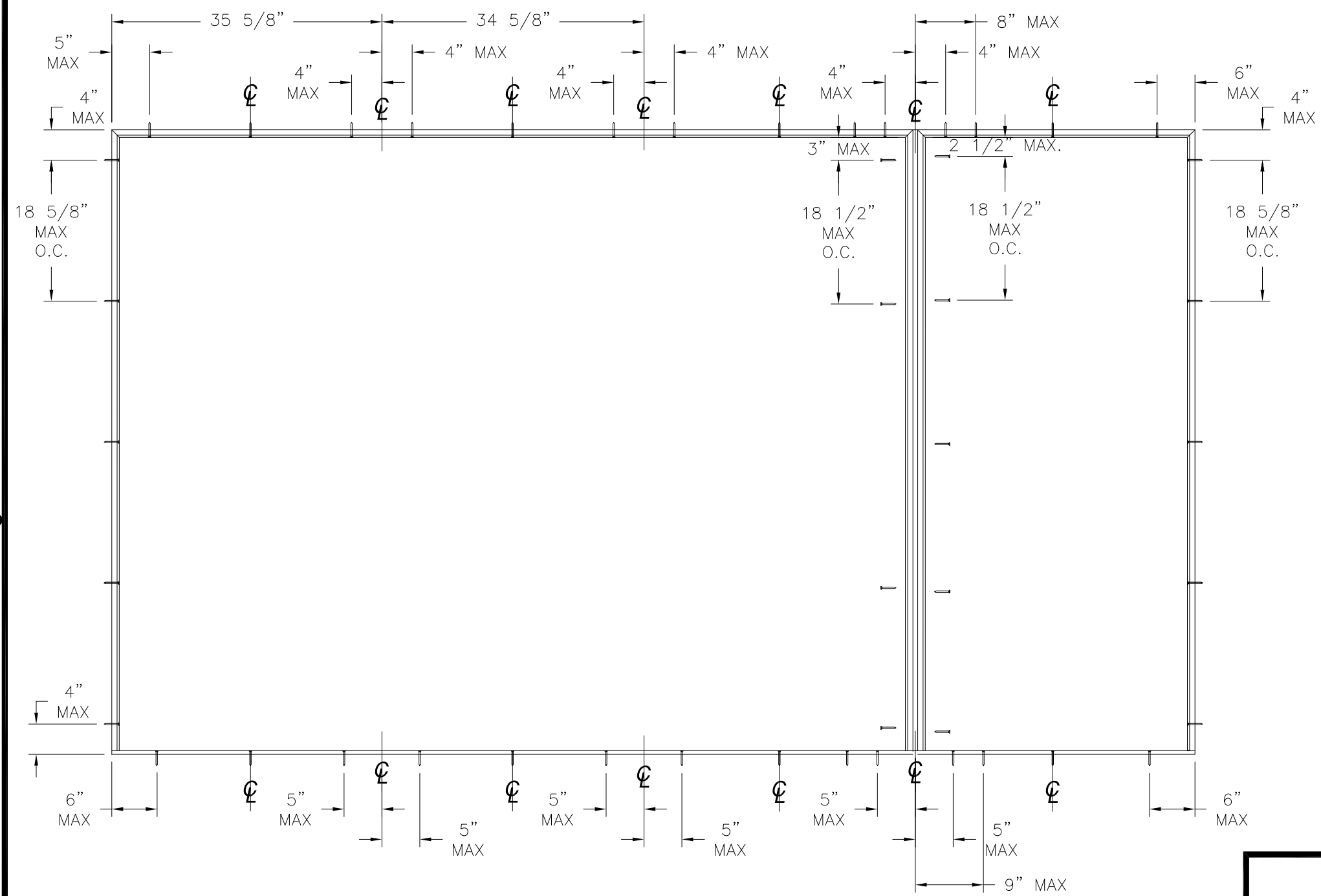
L. ROBERTO LOMAS P.E.
1432 WOODFORD RD LEWISVILLE, NC 27023
434-688-0609 rllomas@rlomaspe.com



Luis R. Lomas P.E.
TX No. 101889

NOTE:
ALL APPROVED CONFIGURATIONS ARE SHOWN AS LEFT
HAND ACTIVE, RIGHT HAND ACTIVE IS ALSO APPROVED.

REVISIONS			
REV	DESCRIPTION	DATE	APPROVED
A	REVISED SIDELITES INSTALLATION DETAILS	05/29/18	R.L.



ANCHORING LAYOUT

ANCHORING NOTES:

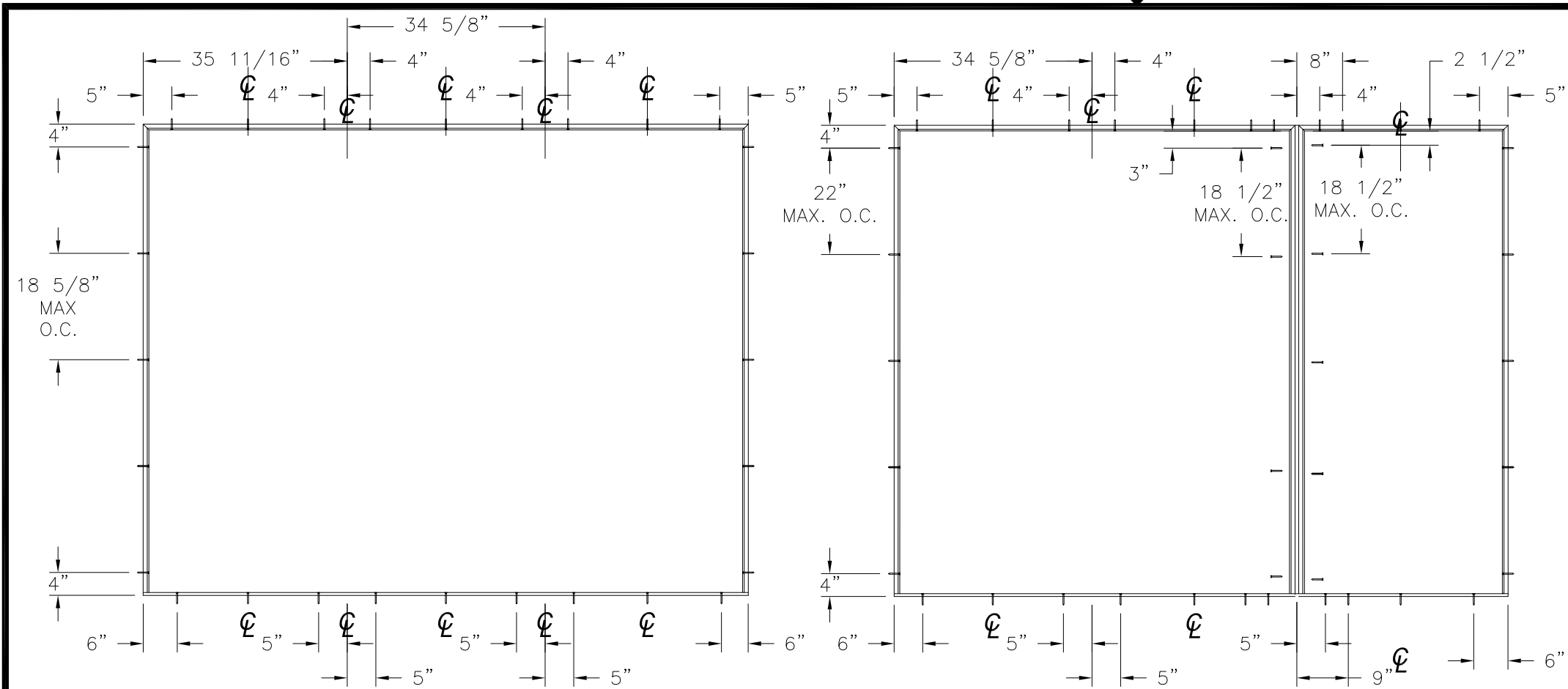
- 1) SHIM AS REQUIRED AT EACH INSTALLATION ANCHOR WITH LOAD BEARING SHIM. SHIM WHERE SPACE OF 1/16" OR GREATER OCCURS. MAXIMUM ALLOWABLE SHIM STACK TO BE 1/4".
- 2) FOR ANCHORING INTO MASONRY/CONCRETE USE 3/16" TAPCON OF SUFFICIENT LENGTH TO ACHIEVE A 1 1/4" MINIMUM EMBEDMENT INTO SUBSTRATE. LOCATE ANCHORS AS SHOWN IN ANCHORING LAYOUT AND INSTALLATION DETAILS.
- 3) FOR ANCHORING INTO 2X BUCK OR WOOD FRAMING USE #10 WOOD SCREW OF SUFFICIENT LENGTH TO ACHIEVE A 1 3/8" MINIMUM EMBEDMENT INTO SUBSTRATE. LOCATE ANCHORS AS SHOWN IN ANCHORING LAYOUT AND INSTALLATION DETAILS.
- 4) ALL FASTENERS TO BE CORROSION RESISTANT.
- 5) INSTALLATION ANCHORS SHALL BE INSTALLED IN ACCORDANCE WITH ANCHOR MANUFACTURER'S INSTALLATION INSTRUCTIONS, AND ANCHORS SHALL NOT BE USED IN SUBSTRATES WITH STRENGTHS LESS THAN THE MINIMUM STRENGTH SPECIFIED BELOW:
 A. WOOD – MINIMUM SPECIFIC GRAVITY OF G=0.42
 B. CONCRETE – MINIMUM COMPRESSIVE STRENGTH OF 3,200 PSI.
 C. MASONRY – STRENGTH CONFORMANCE TO ASTM C-90, GRADE N, TYPE 1 (OR GREATER).

SIGNED: 04/30/2019

NAN YA PLASTICS CORP. USA 8989 NORTH LOOP EAST HOUSTON, TX 77029		
IN-SWING ENTRANCE DOOR W/ SIDELITES FIBERGLASS IMPACT GLAZED ANCHORING LAYOUTS		
DRAWN: V.L.	DWG NO. 08-01553	REV A
SCALE NTS	DATE 05/31/12	SHEET 3 OF 9
L. ROBERTO LOMAS P.E. 1432 WOODFORD RD LEWISVILLE, NC 27023 434-688-0609 rllomas@rlomaspe.com		

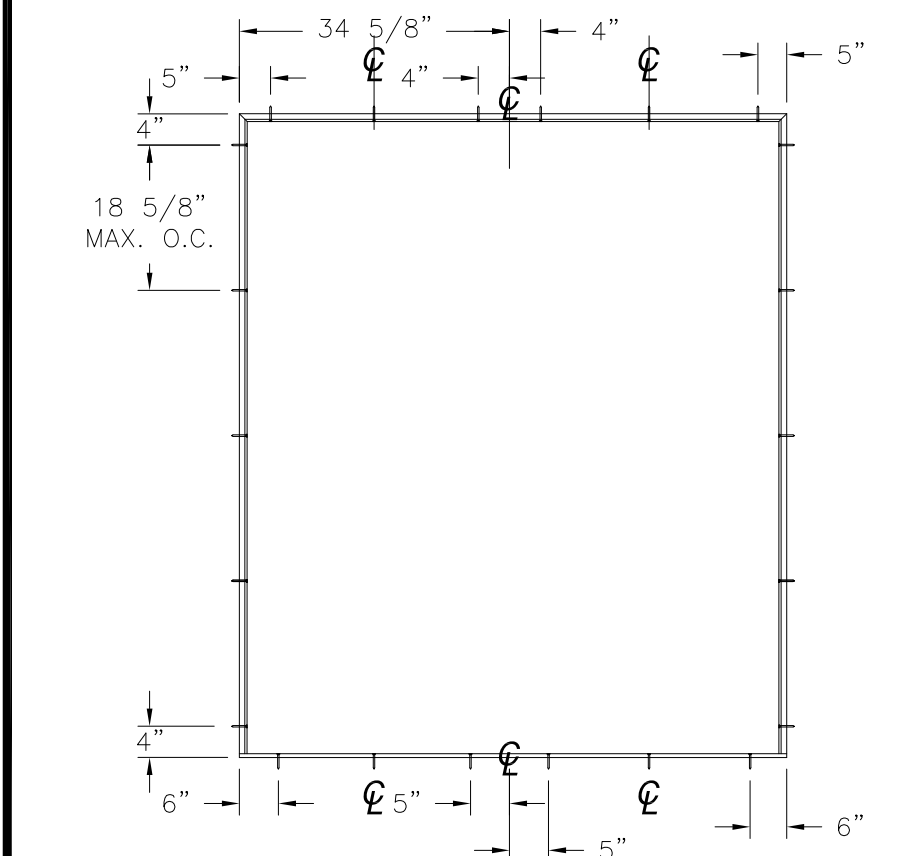


Luis R. Lomas P.E.
TX No. 101889

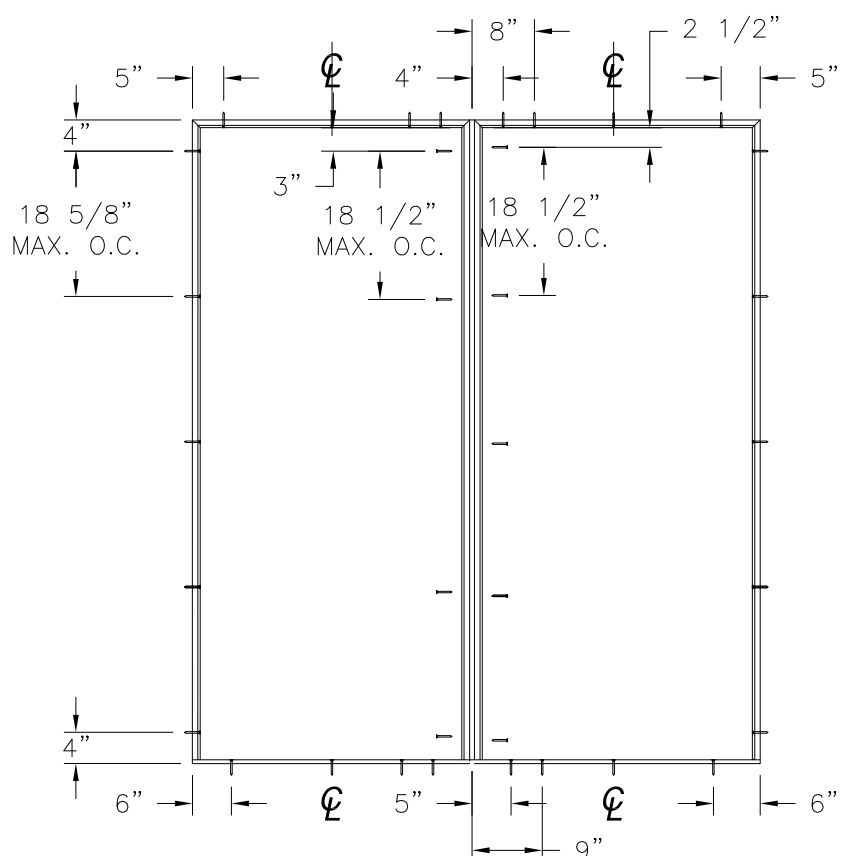


ANCHORING LAYOUT FOR OXO, XXO AND OXX

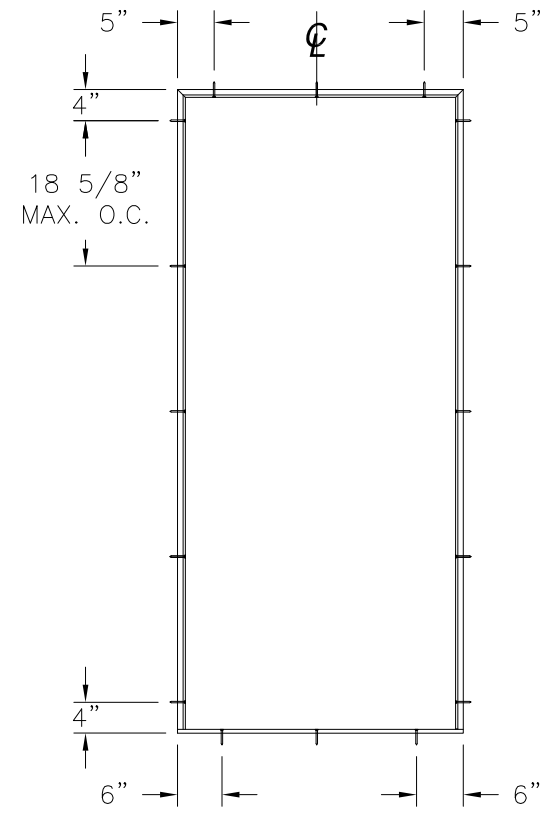
ANCHORING LAYOUT FOR OXO, XXO AND OXX (MULL)



ANCHORING LAYOUT FOR XX, OX AND XO



ANCHORING LAYOUT FOR OX AND XO (MULL)



ANCHORING LAYOUT FOR X

REVISIONS			
REV	DESCRIPTION	DATE	APPROVED
A	REVISED SIDELITES INSTALLATION DETAILS	05/29/18	R.L.

NAN YA PLASTICS CORP. USA
 8989 NORTH LOOP EAST
 HOUSTON, TX 77029

IN-SWING ENTRANCE DOOR W/ SIDELITES
 FIBERGLASS IMPACT GLAZED
 ANCHORING LAYOUTS

DRAWN: V.L.	DWG NO. 08-01553	REV A
SCALE NTS	DATE 05/31/12	SHEET 4 OF 9

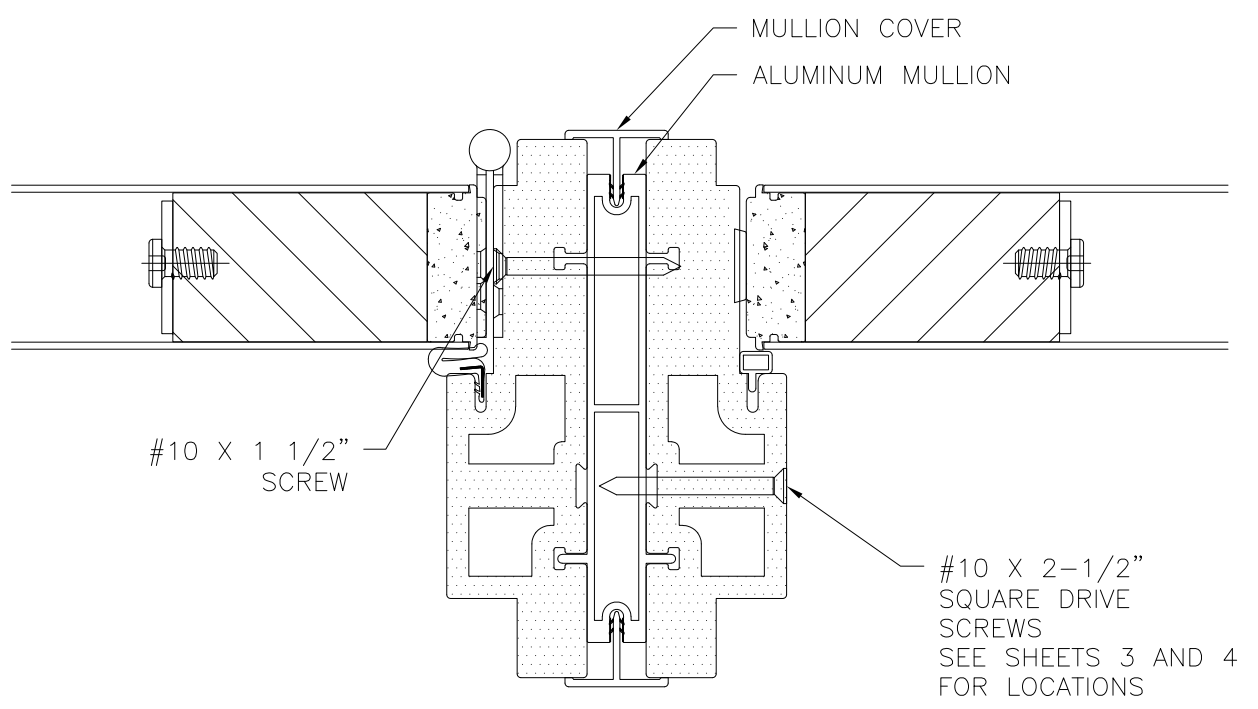
L. ROBERTO LOMAS P.E.
 1432 WOODFORD RD LEWISVILLE, NC 27023
 434-688-0609 rllomas@lrlomaspe.com

SIGNED: 04/30/2019

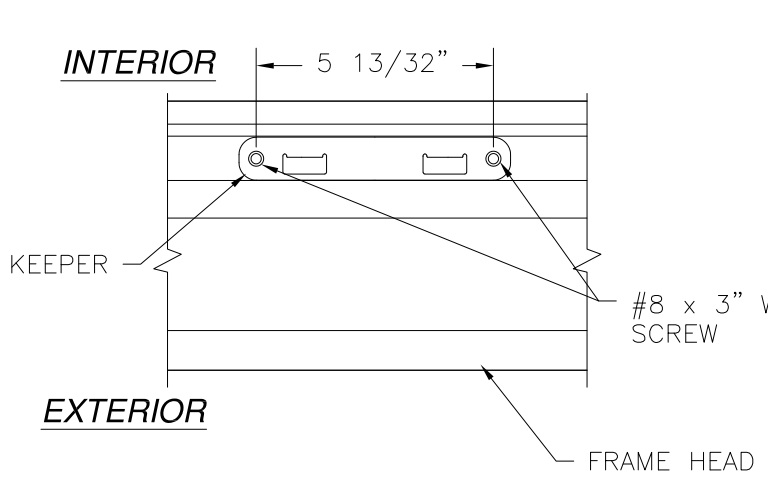


Luis R. Lomas P.E.
 TX No. 101889

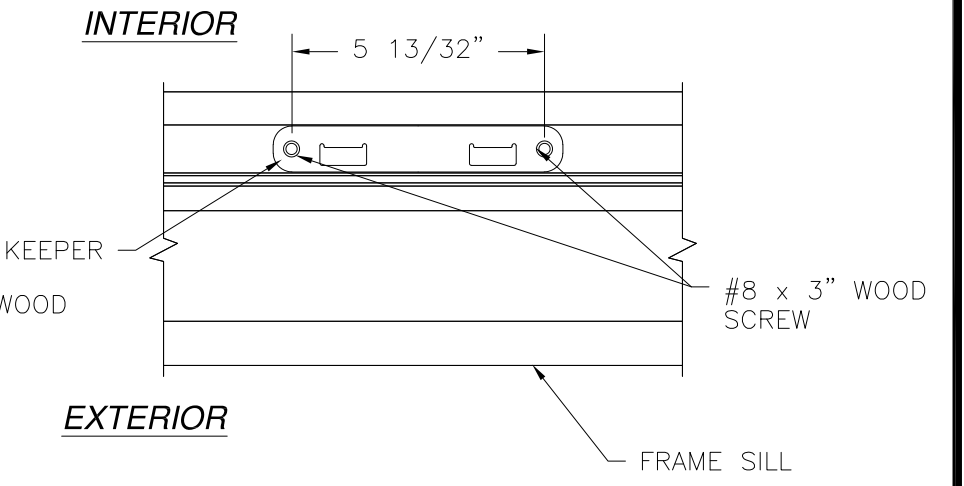
REVISIONS			
REV	DESCRIPTION	DATE	APPROVED
A	REVISED SIDELITES INSTALLATION DETAILS	05/29/18	R.L.



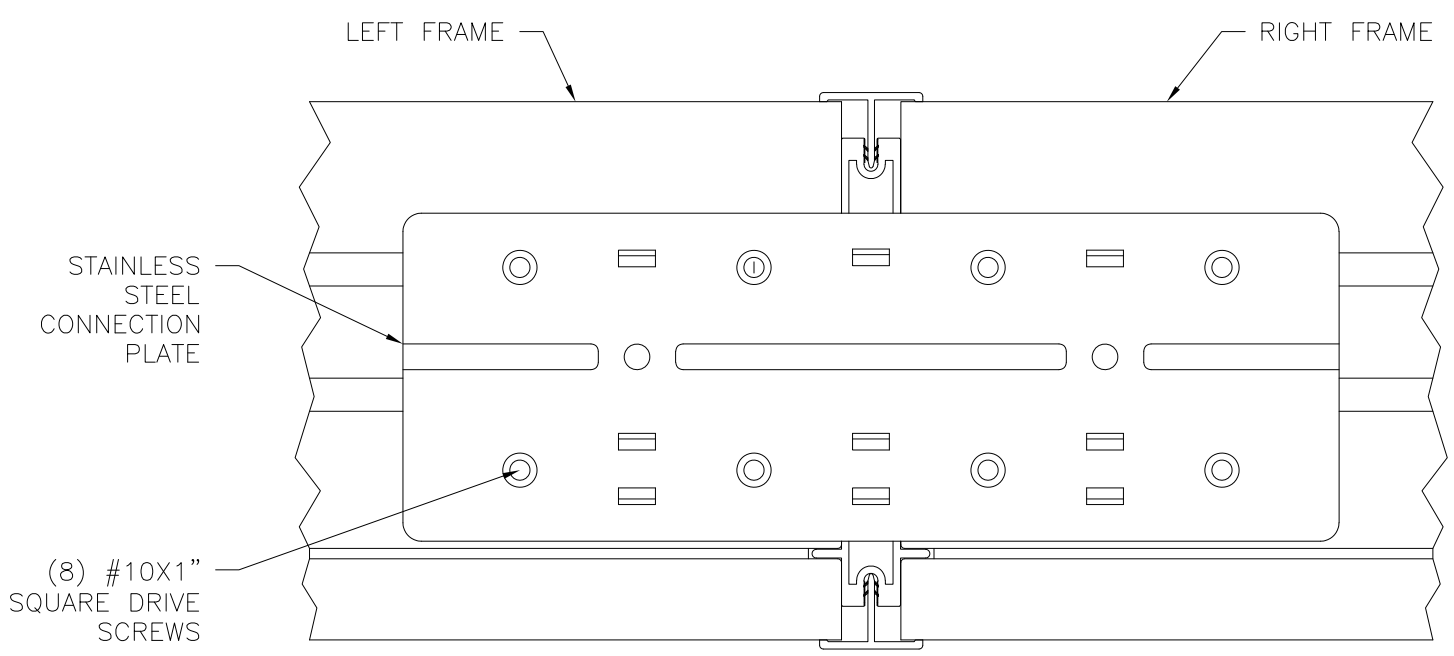
MULLION DETAIL



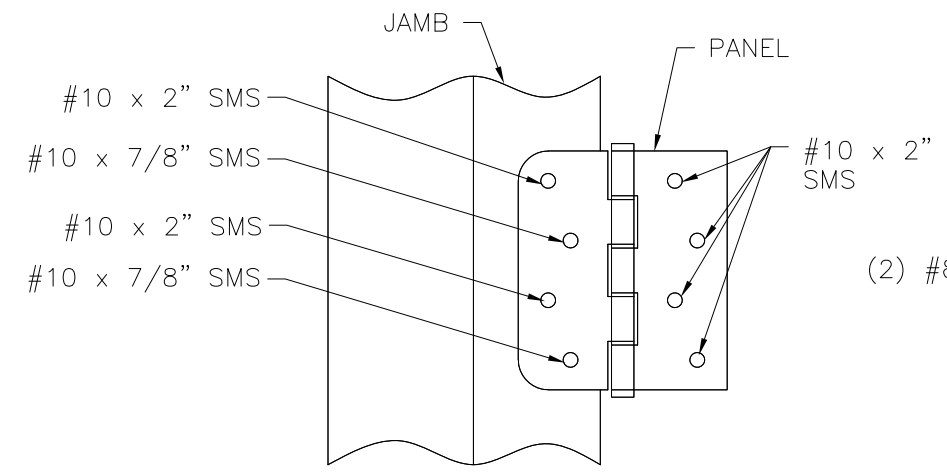
HEAD KEEPER DETAIL
BY JAM YUAN ENTERPRISES CO., LTD



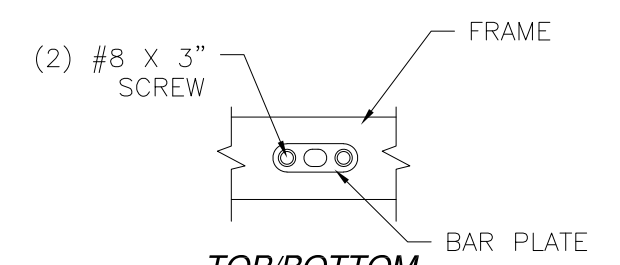
SILL KEEPER DETAIL
BY JAM YUAN ENTERPRISES CO., LTD



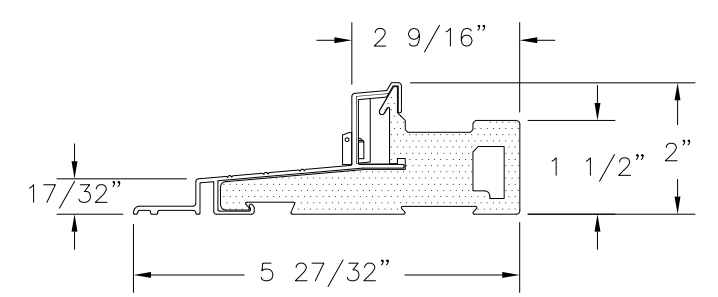
FRAME CONNECTION DETAIL



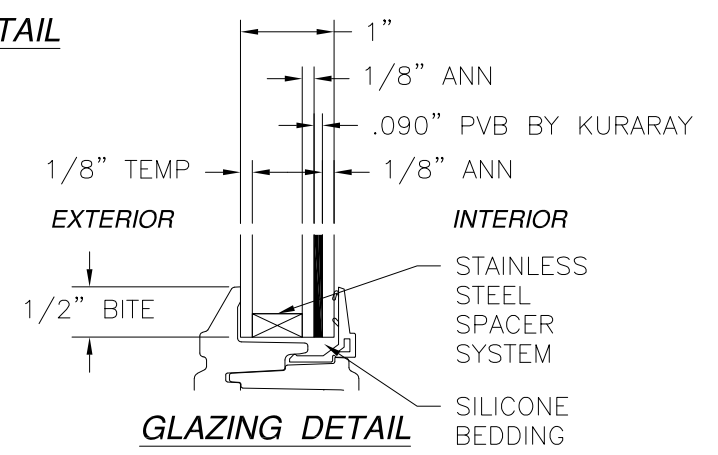
HINGE INSTALLATION DETAIL



TOP/BOTTOM DRIVE BAR PLATE DETAIL



DOOR SILL



GLAZING DETAIL

NAN YA PLASTICS CORP. USA
8989 NORTH LOOP EAST
HOUSTON, TX 77029

IN-SWING ENTRANCE DOOR W/ SIDELITES
FIBERGLASS IMPACT GLAZED
INSTALLATION DETAILS

DRAWN: V.L.	DWG NO. 08-01553	REV A
SCALE NTS	DATE 05/31/12	SHEET 5 OF 9

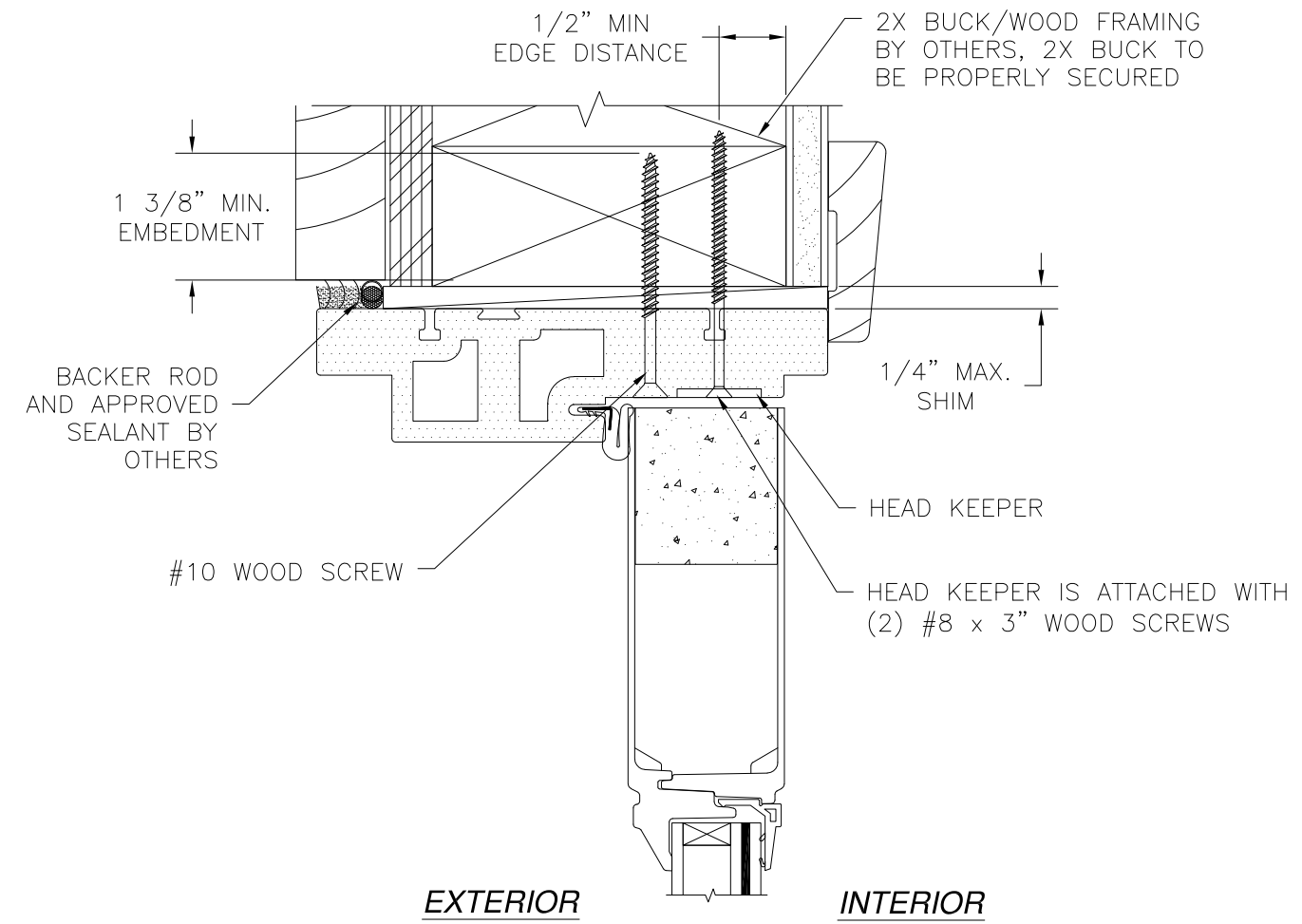
L. ROBERTO LOMAS P.E.
1432 WOODFORD RD LEWISVILLE, NC 27023
434-688-0609 rllomas@lrlomaspe.com

SIGNED: 04/30/2019

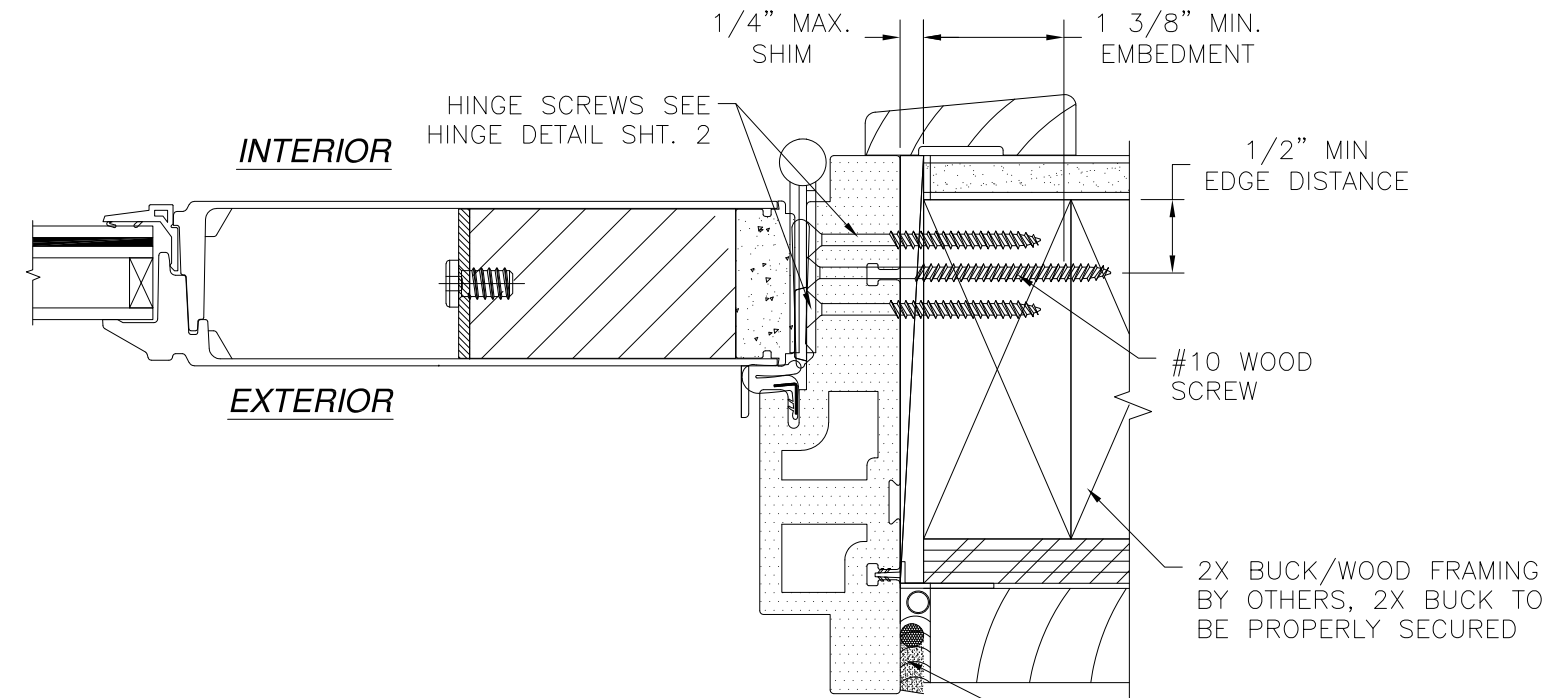


Luis R. Lomas P.E.
TX No. 101889

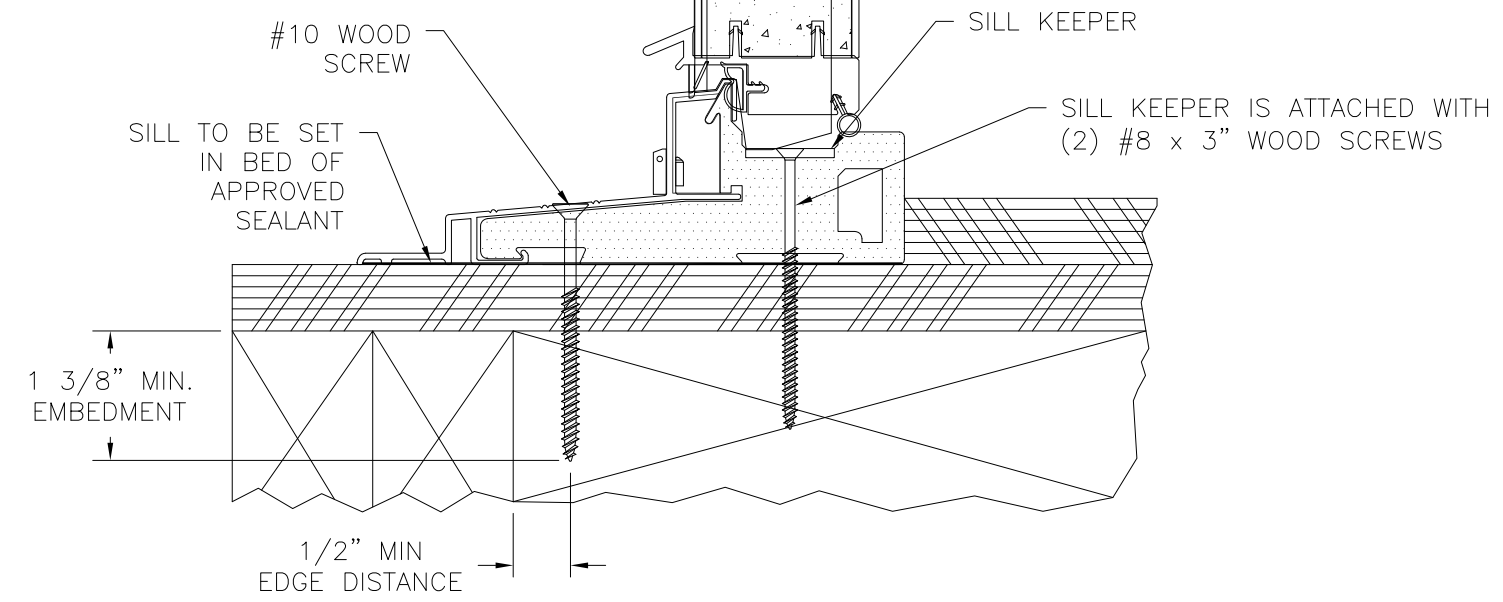
REVISIONS			
REV	DESCRIPTION	DATE	APPROVED
A	REVISED SIDELITES INSTALLATION DETAILS	05/29/18	R.L.



EXTERIOR INTERIOR



DOOR HORIZONTAL CROSS SECTION
2X BUCK/WOOD FRAMING INSTALLATION



DOOR VERTICAL CROSS SECTION
2X BUCK/WOOD FRAMING INSTALLATION

- NOTES:**
1. INTERIOR AND EXTERIOR FINISHES, BY OTHERS, NOT SHOWN FOR CLARITY.
 2. PERIMETER AND JOINT SEALANT BY OTHERS TO BE DESIGNED IN ACCORDANCE WITH ASTM E2112

SIGNED: 04/30/2019

NAN YA PLASTICS CORP. USA
8989 NORTH LOOP EAST
HOUSTON, TX 77029

IN-SWING ENTRANCE DOOR W/ SIDELITES
FIBERGLASS IMPACT GLAZED
INSTALLATION DETAILS

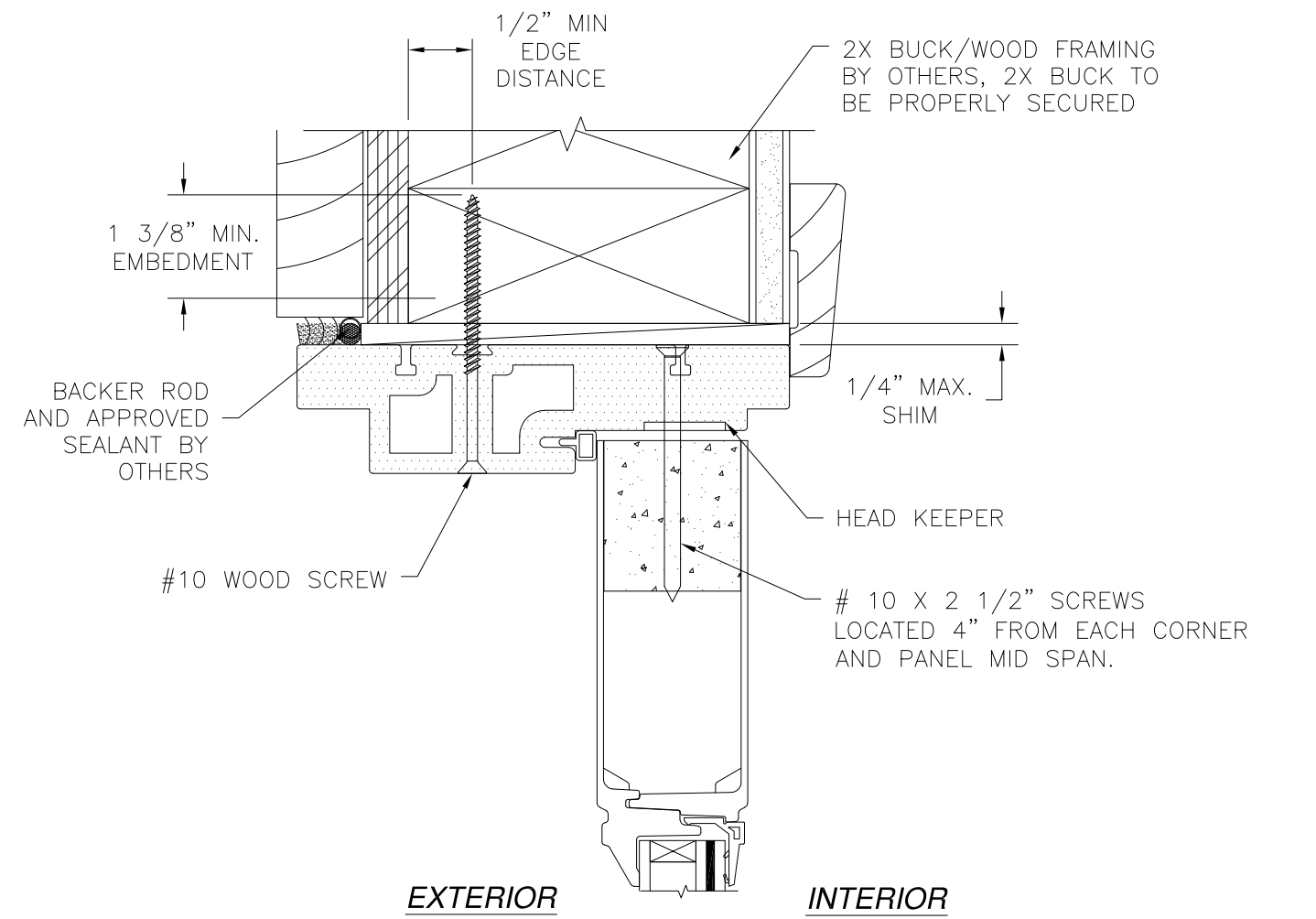
DRAWN: V.L.	DWG NO. 08-01553	REV A
SCALE NTS	DATE 05/31/12	SHEET 6 OF 9

L. ROBERTO LOMAS P.E.
1432 WOODFORD RD LEWISVILLE, NC 27023
434-688-0609 rllomas@rlomaspe.com

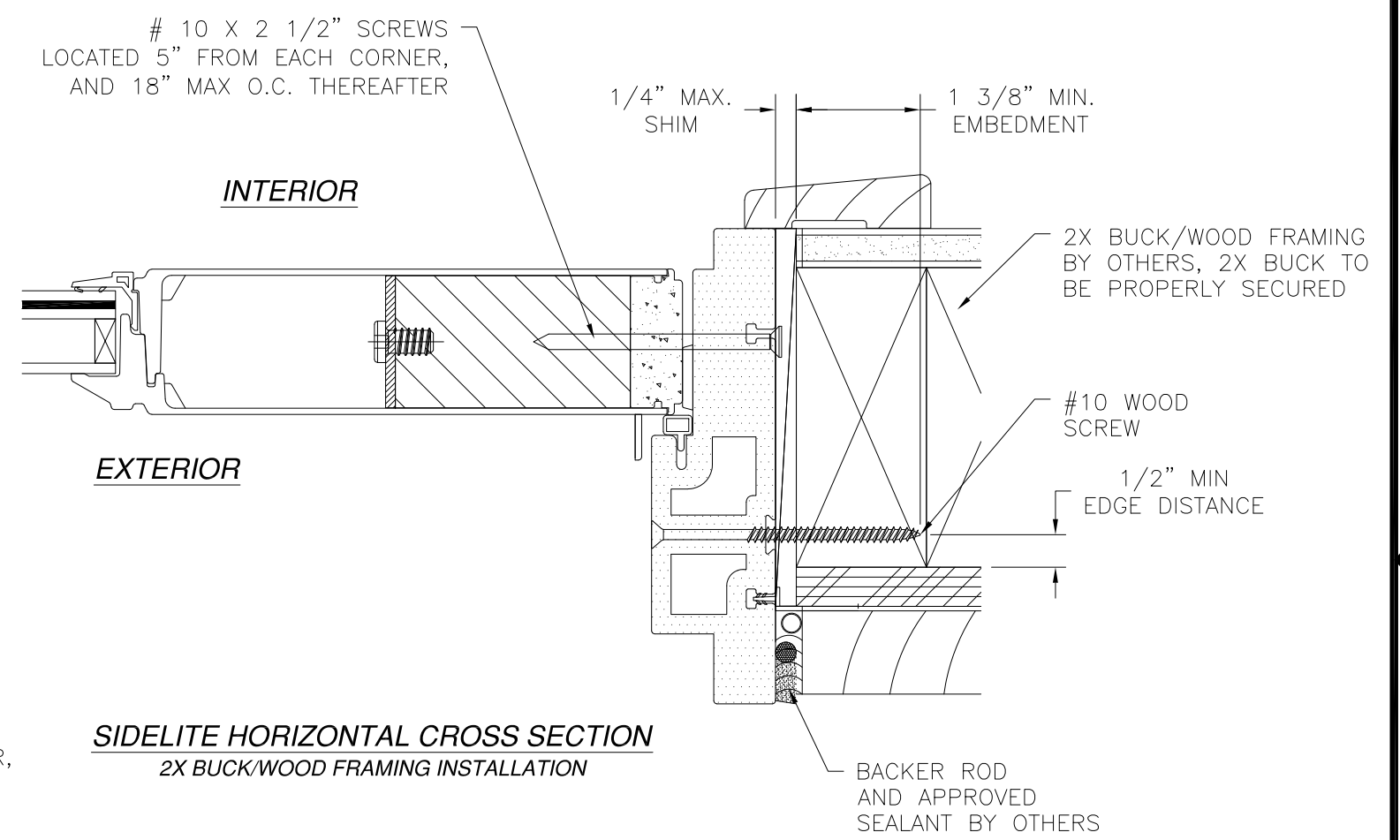


Luis R. Lomas P.E.
TX No. 101889

REVISIONS			
REV	DESCRIPTION	DATE	APPROVED
A	REVISED SIDELITES INSTALLATION DETAILS	05/29/18	R.L.

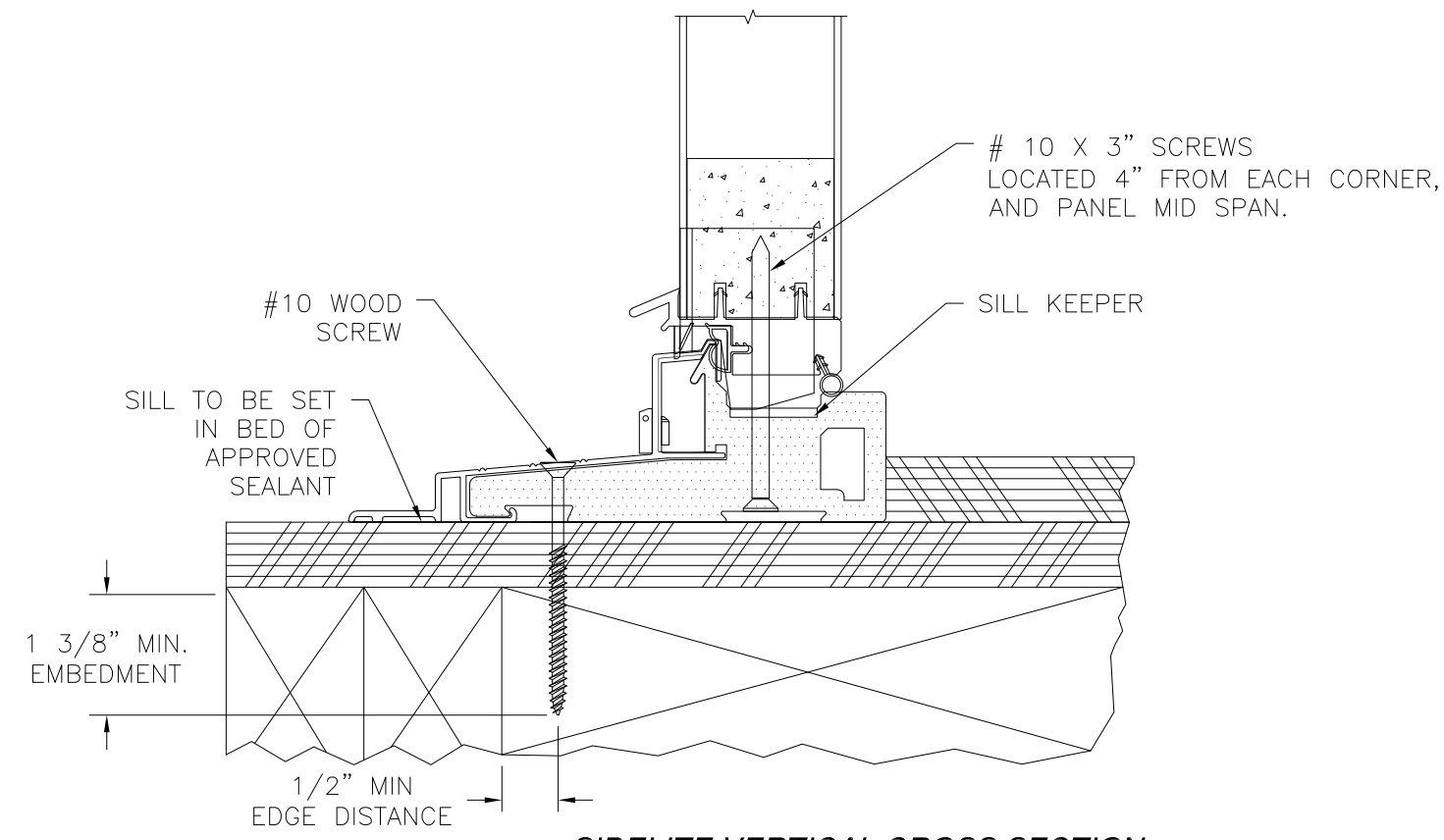


EXTERIOR **INTERIOR**



SIDELITE HORIZONTAL CROSS SECTION
2X BUCK/WOOD FRAMING INSTALLATION

- NOTES:**
 1. INTERIOR AND EXTERIOR FINISHES, BY OTHERS, NOT SHOWN FOR CLARITY.
 2. PERIMETER AND JOINT SEALANT BY OTHERS TO BE DESIGNED IN ACCORDANCE WITH ASTM E2112



SIDELITE VERTICAL CROSS SECTION
2X BUCK/WOOD FRAMING INSTALLATION

SIGNED: 04/30/2019

NAN YA PLASTICS CORP. USA
 8989 NORTH LOOP EAST
 HOUSTON, TX 77029

IN-SWING ENTRANCE DOOR W/ SIDELITES
 FIBERGLASS IMPACT GLAZED
 INSTALLATION DETAILS

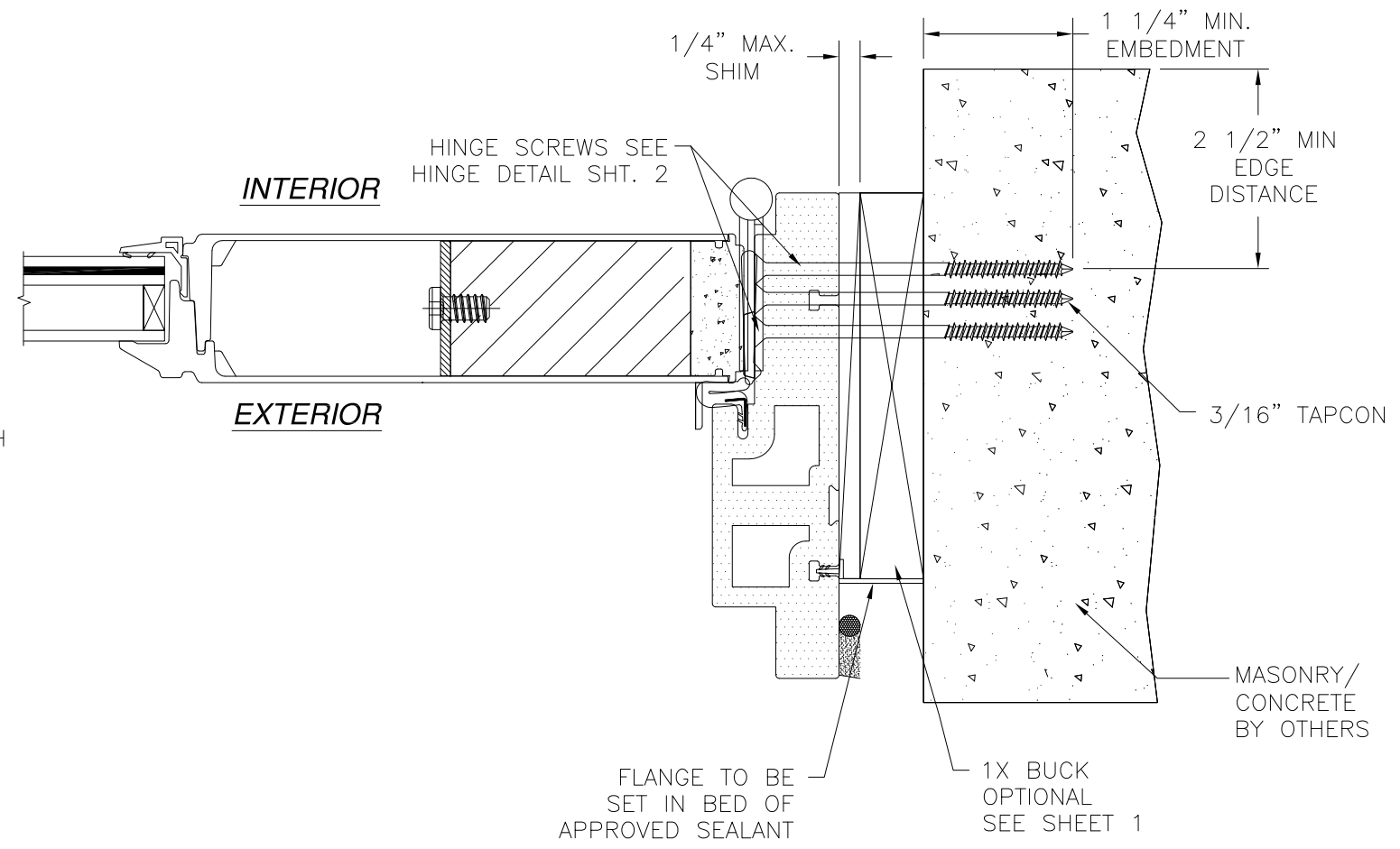
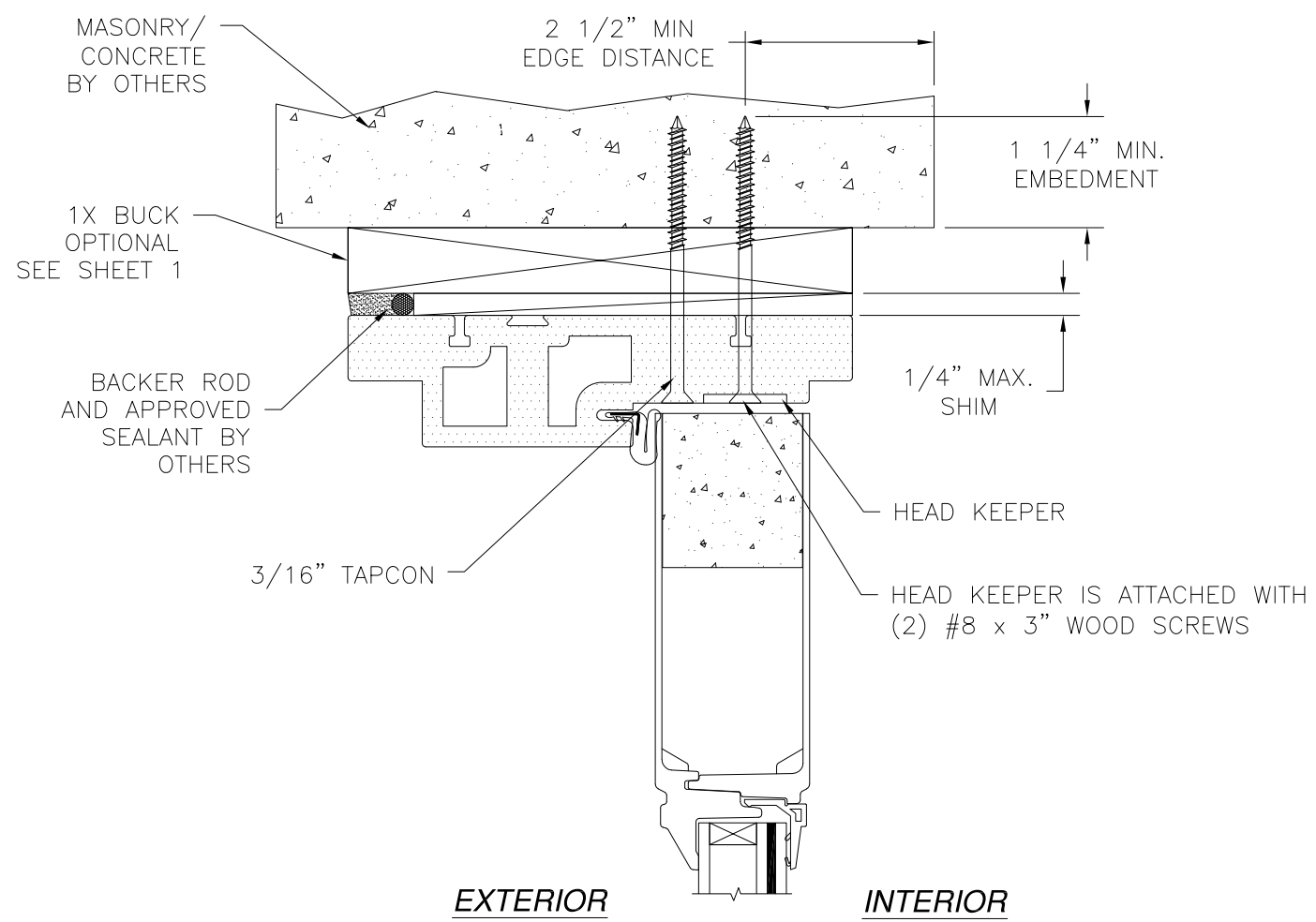
DRAWN: V.L.	DWG NO. 08-01553	REV A
SCALE NTS	DATE 05/31/12	SHEET 7 OF 9

L. ROBERTO LOMAS P.E.
 1432 WOODFORD RD LEWISVILLE, NC 27023
 434-688-0609 rllomas@rlomaspe.com



Luis R. Lomas P.E.
 TX No. 101889

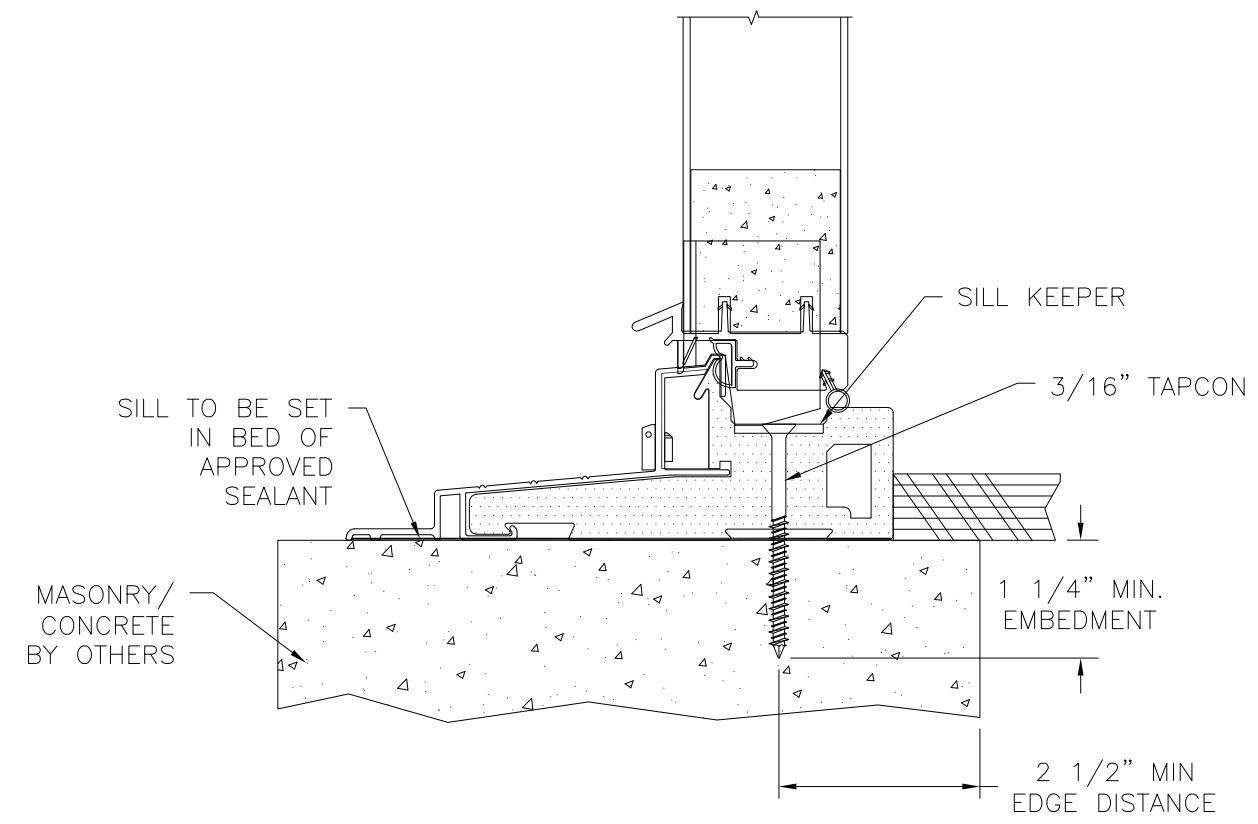
REVISIONS			
REV	DESCRIPTION	DATE	APPROVED
A	REVISED SIDELITES INSTALLATION DETAILS	05/29/18	R.L.



DOOR HORIZONTAL CROSS SECTION
MASONRY/CONCRETE INSTALLATION

- NOTES:
1. INTERIOR AND EXTERIOR FINISHES, BY OTHERS, NOT SHOWN FOR CLARITY.
 2. PERIMETER AND JOINT SEALANT BY OTHERS TO BE DESIGNED IN ACCORDANCE WITH ASTM E2112

SIGNED: 04/30/2019



DOOR VERTICAL CROSS SECTION
MASONRY/CONCRETE INSTALLATION

NAN YA PLASTICS CORP. USA
8989 NORTH LOOP EAST
HOUSTON, TX 77029

IN-SWING ENTRANCE DOOR W/ SIDELITES
FIBERGLASS IMPACT GLAZED
INSTALLATION DETAILS

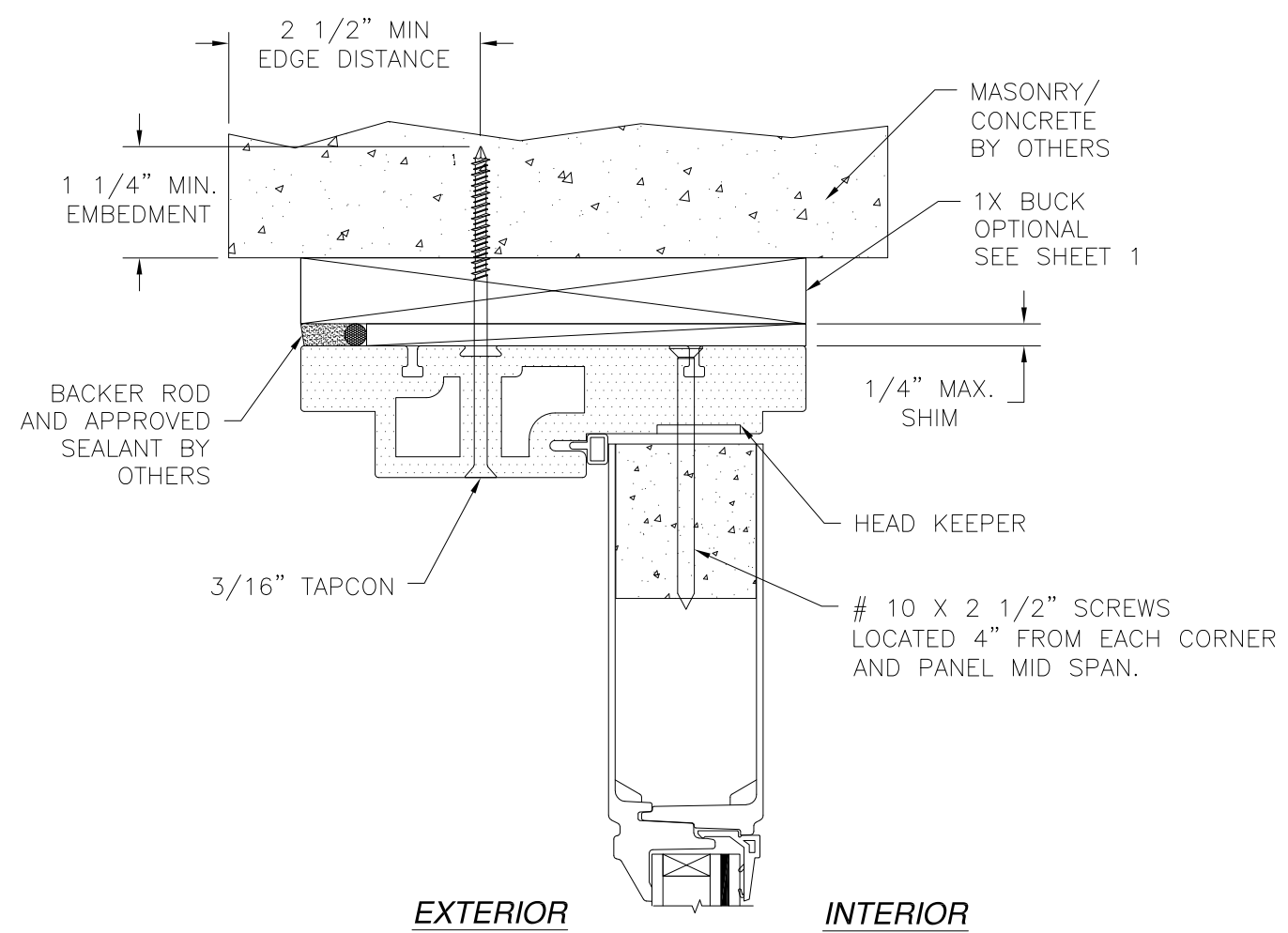
DRAWN: V.L.	DWG NO. 08-01553	REV A
SCALE NTS	DATE 05/31/12	SHEET 8 OF 9

L. ROBERTO LOMAS P.E.
1432 WOODFORD RD LEWISVILLE, NC 27023
434-688-0609 rllomas@rlomaspe.com

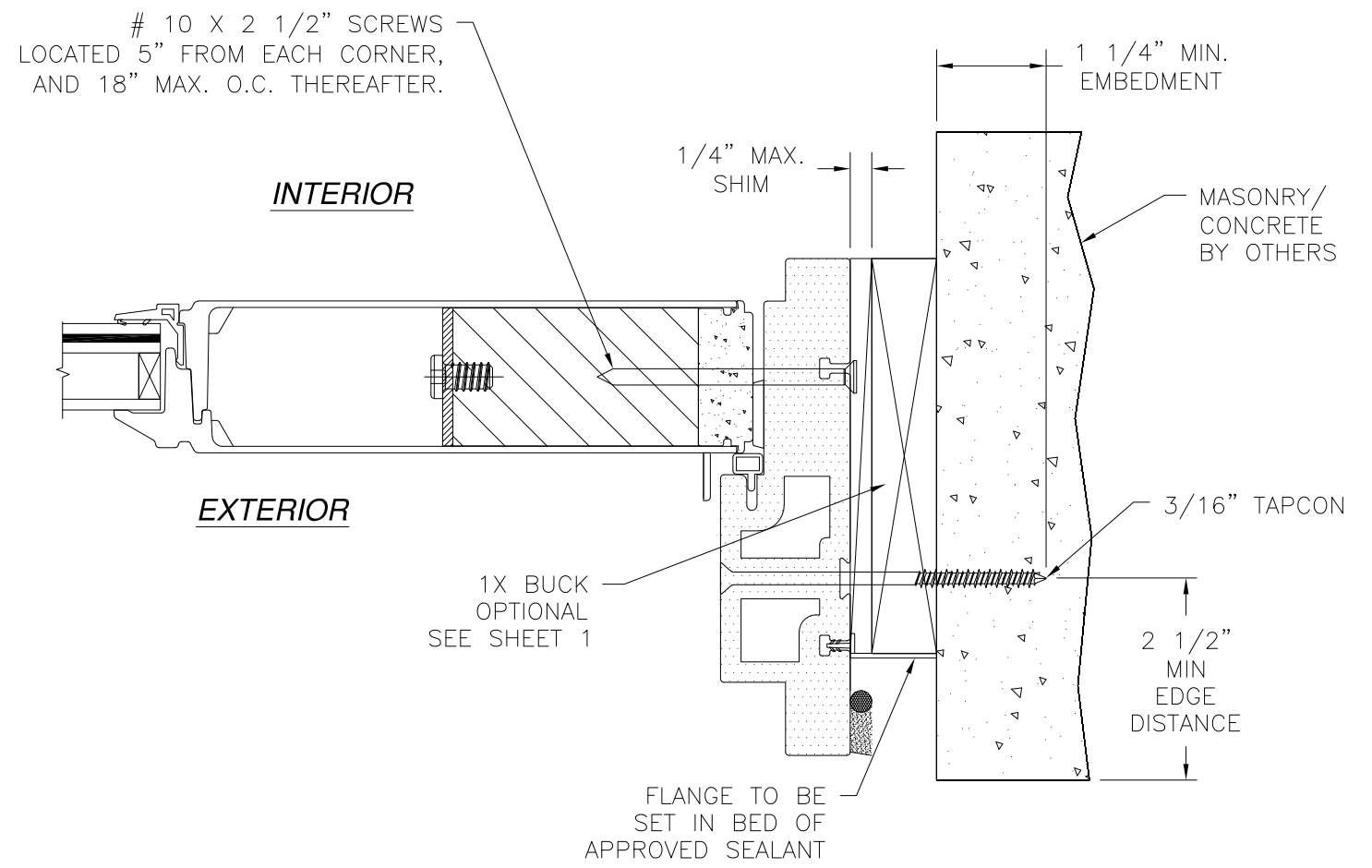


Luis R. Lomas P.E.
TX No. 101889

REVISIONS			
REV	DESCRIPTION	DATE	APPROVED
A	REVISED SIDELITES INSTALLATION DETAILS	05/29/18	R.L.



SIDELITE VERTICAL CROSS SECTION
MASONRY/CONCRETE INSTALLATION



SIDELITE HORIZONTAL CROSS SECTION
MASONRY/CONCRETE INSTALLATION

- NOTES:**
1. INTERIOR AND EXTERIOR FINISHES, BY OTHERS, NOT SHOWN FOR CLARITY.
 2. PERIMETER AND JOINT SEALANT BY OTHERS TO BE DESIGNED IN ACCORDANCE WITH ASTM E2112

SIGNED: 04/30/2019

NAN YA PLASTICS CORP. USA
8989 NORTH LOOP EAST
HOUSTON, TX 77029

IN-SWING ENTRANCE DOOR W/ SIDELITES
FIBERGLASS IMPACT GLAZED
INSTALLATION DETAILS

DRAWN: V.L.	DWG NO. 08-01553	REV A
SCALE NTS	DATE 05/31/12	SHEET 9 OF 9

L. ROBERTO LOMAS P.E.
1432 WOODFORD RD LEWISVILLE, NC 27023
434-688-0609 rllomas@rlomaspe.com



Luis R. Lomas P.E.
TX No. 101889