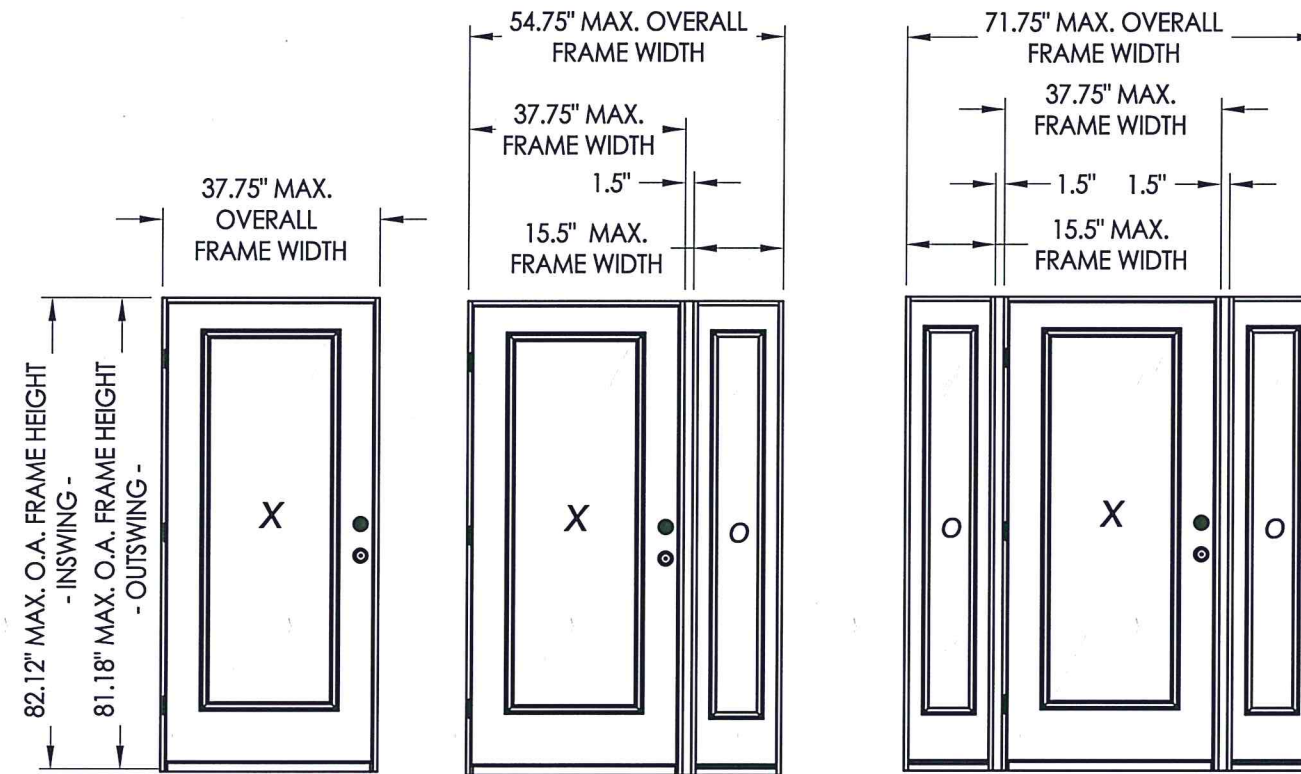


"Traditions" Series Glazed Steel Door w/ or w/o Sidelites "Non-Impact" INSWING / OUTSWING



EVALUATED FOR USE IN THE STATE OF TEXAS

The Steel Door system described herein complies with the 2018 International Residential Code (IRC), Sections R301 & R609 and the 2018 International Building Code (IBC), Sections 1404.13, 1609, 1709.5, 2403 and 2404 subject to the following conditions:

1. Anchors shall be as listed and spaced as shown in the details. Anchor embedment to base material shall be beyond wall dressing or stucco.
2. When used in areas requiring wind-borne debris protection, this system is required to be protected with an impact resistant covering that complies with Section R301.2.1.2 of the IRC and Section 1609.2 of the IBC.
3. Allowable design pressure requirements must be equal to or less than the design pressure rating shown in the design pressure chart, sheet 1 of this drawing.
4. Conditions not covered by this drawing are subject to further engineering analysis.

TABLE OF CONTENTS

SHEET #	DESCRIPTION
1	Typical elevations, design pressures & general notes
2	Door panel details
3	Sidelite panel details and glazing detail
4	Elevations
5	Horizontal cross section
6	Vertical cross sections
7	Vertical cross sections
8	Frame anchoring
9	Frame anchoring
10	Bill of materials and components

CONFIGURATION	MAX. FRAME DIMENSION	MAX. D.L.O. DIMENSION	SWING	DESIGN PRESSURE (PSF)	
				POSITIVE	NEGATIVE
X	37.75" x 82.12"	21.12" x 63.12"	INSWING	+35.0	-40.0
	37.75" x 81.18"		OUTSWING	+40.0	-40.0
OX or XO	54.75" x 82.12"	21.12" x 63.12"	INSWING	+35.0	-40.0
	54.75" x 81.18"		OUTSWING	+40.0	-40.0
OXO	71.75" x 82.12"	21.12" x 63.12"	INSWING	+35.0	-40.0
	71.75" x 81.18"		OUTSWING	+40.0	-40.0

Documents Prepared By: Lyndon F. Schmidt, P.E. TEXAS P.E. #104123

RW BUILDING CONSULTANTS, INC.
P.O. Box 230 Valrico FL 33595
Phone No.: 813.659.9197

STATE OF TEXAS
LYNDON F. SCHMIDT
104123
LICENSED PROFESSIONAL ENGINEER
4.28.20

PRODUCT: THERMA-TRU STEEL DOOR

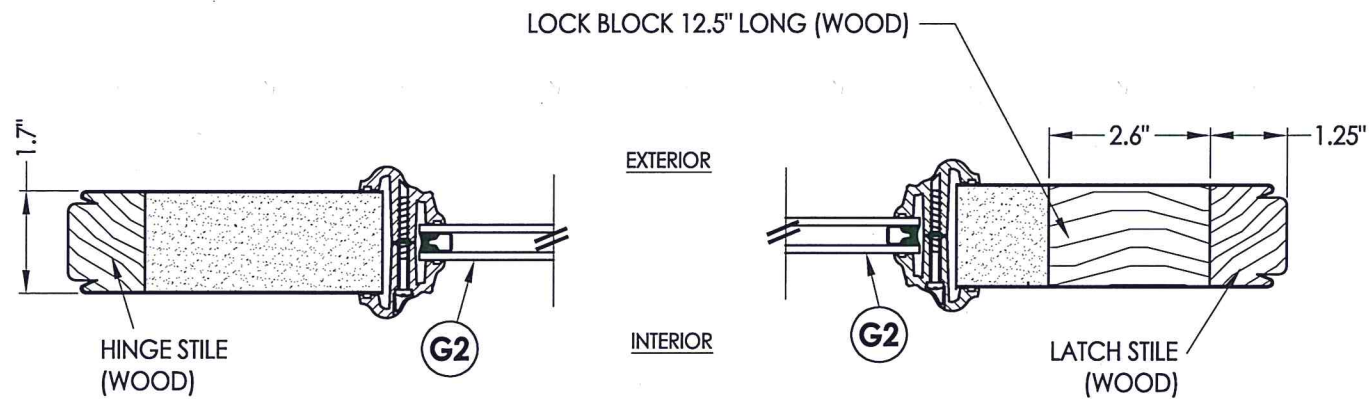
PART OR ASSEMBLY: TYPICAL ELEVATION, DESIGN PRESSURES & GENERAL NOTES

NO.	DATE	DESCRIPTION	BY
1	4/28/20	UPDATE TO 2018 IBC/IRC CODE	LFS

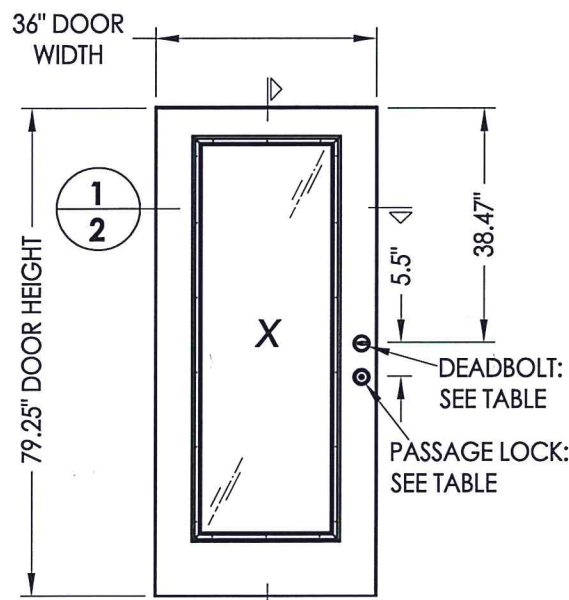
REVISIONS

DATE: 01/23/13
SCALE: N.T.S.
DWG. BY: JK
CHK. BY: LFS
DRAWING NO.: TX-4304
SHEET 1 OF 10

© 2013 R.W. BUILDING CONSULTANTS INC.

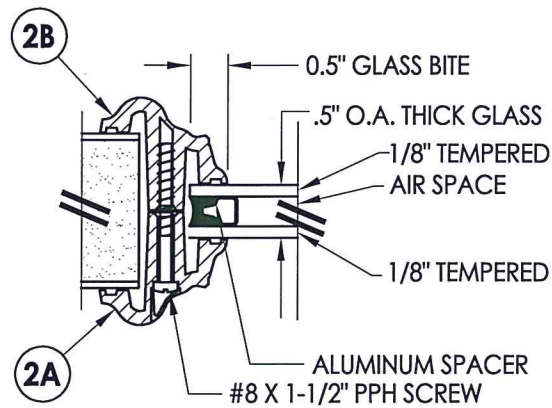
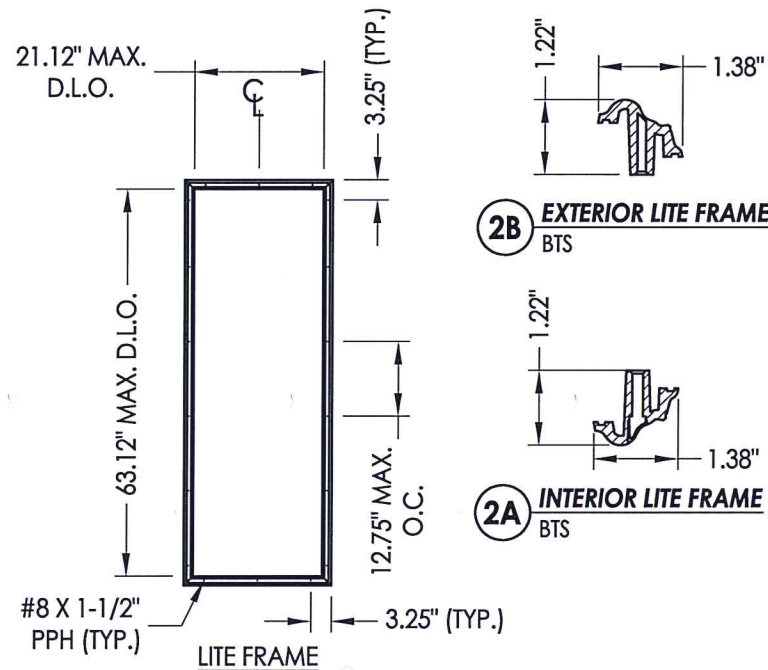


1 HORIZONTAL CROSS SECTION
2

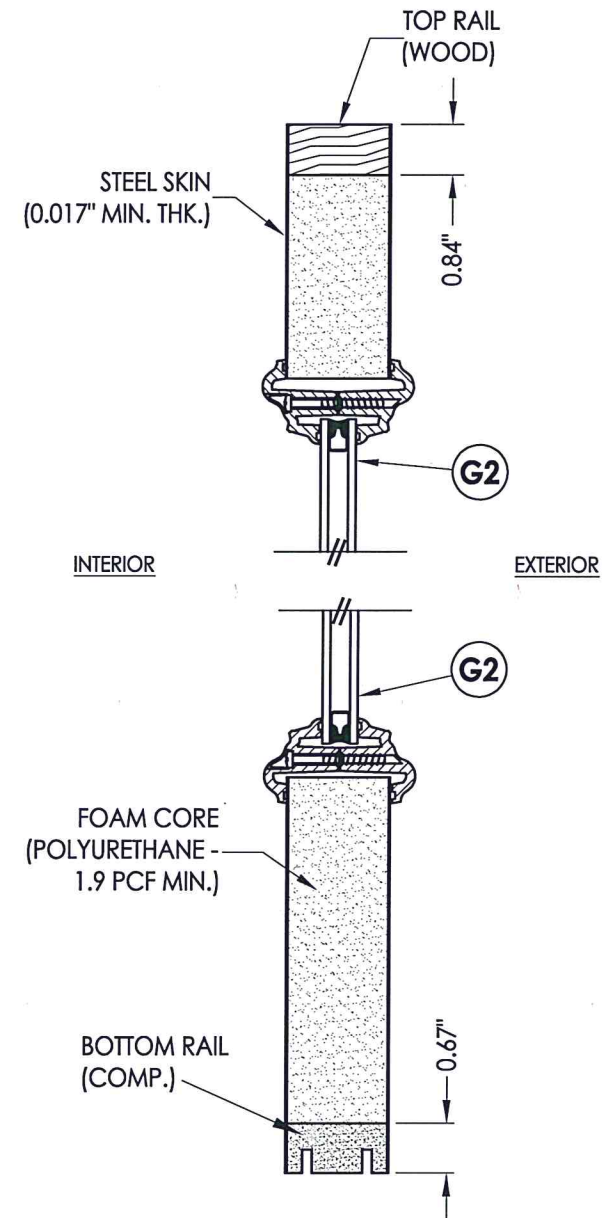


2 DOOR PANEL
2 "Traditions" Series
40

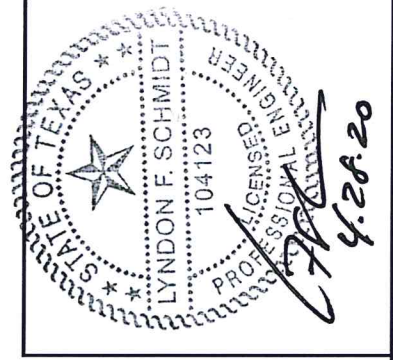
HARDWARE TABLE	
MANUFACTURER	MODEL
KWIKSET	KNOB: SIGNATURE SERIES
	DEADBOLT: SIGNATURE SERIES (780)
SCHLAGE	KNOB: "F" SERIES (F10)
	DEADBOLT: "B" SERIES (B60/62)



G2 GLAZING DETAIL
Plastic Lip Lite Frame (BTS)



2 VERTICAL CROSS SECTION
2



Documents Prepared By: Lyndon F. Schmidt, P.E.
TEXAS P.E. #104123

RW BUILDING CONSULTANTS, INC.
P.O. Box 230 Valrico FL 33595
Phone No.: 813.659.9197

TEXAS BOARD OF PROFESSIONAL ENGINEERS
CERTIFICATE OF REGISTRATION # F-11852

PRODUCT: THERMA-TRU STEEL DOOR

PART OR ASSEMBLY: DOOR PANEL DETAILS

NO.	DATE	DESCRIPTION	BY
1	4/28/20	UPDATE TO 2018 IBC/IRC CODE	LFS

DATE: 01/23/13

SCALE: N.T.S.

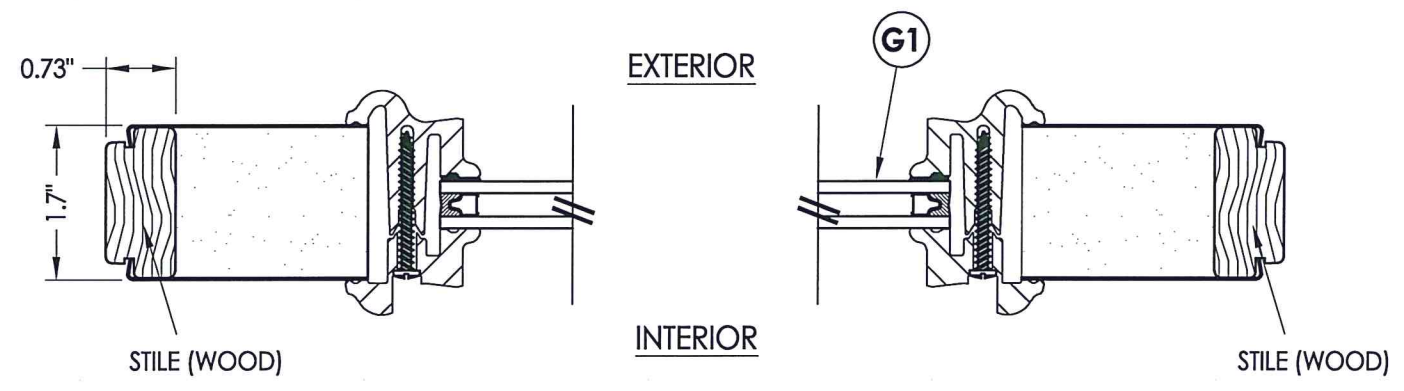
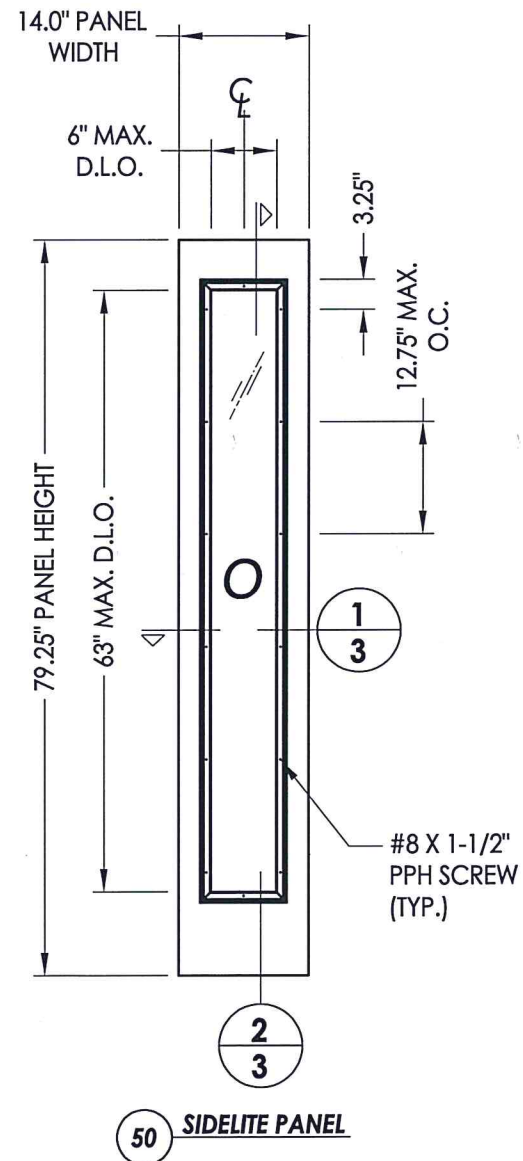
DWG. BY: JK

CHK. BY: LFS

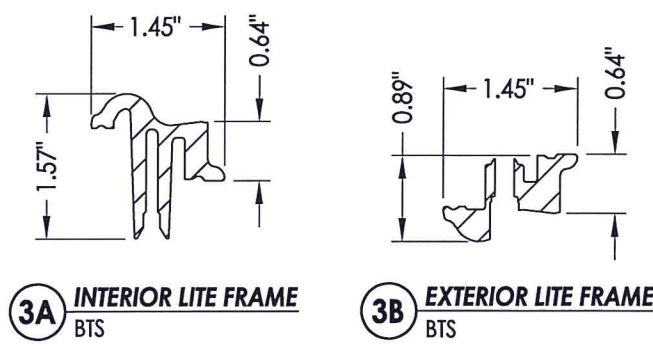
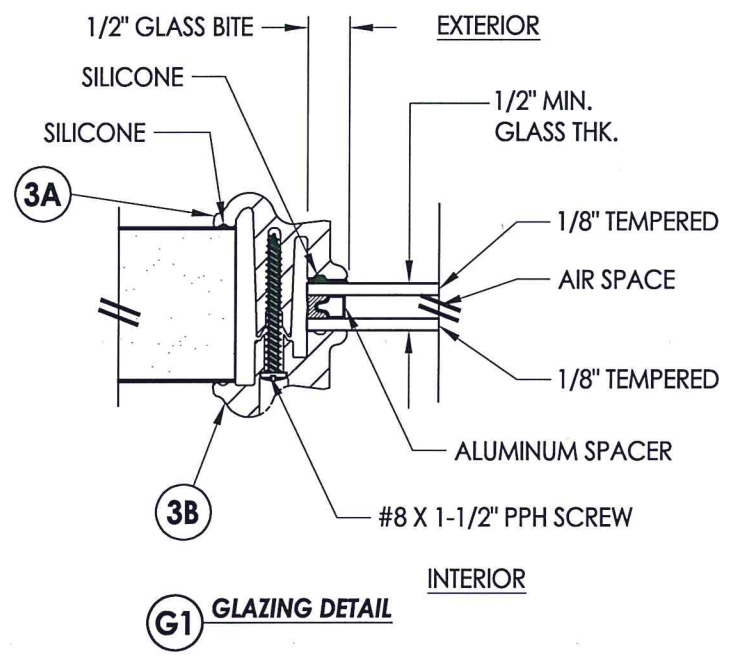
DRAWING NO.: TX-4304

SHEET 2 OF 10

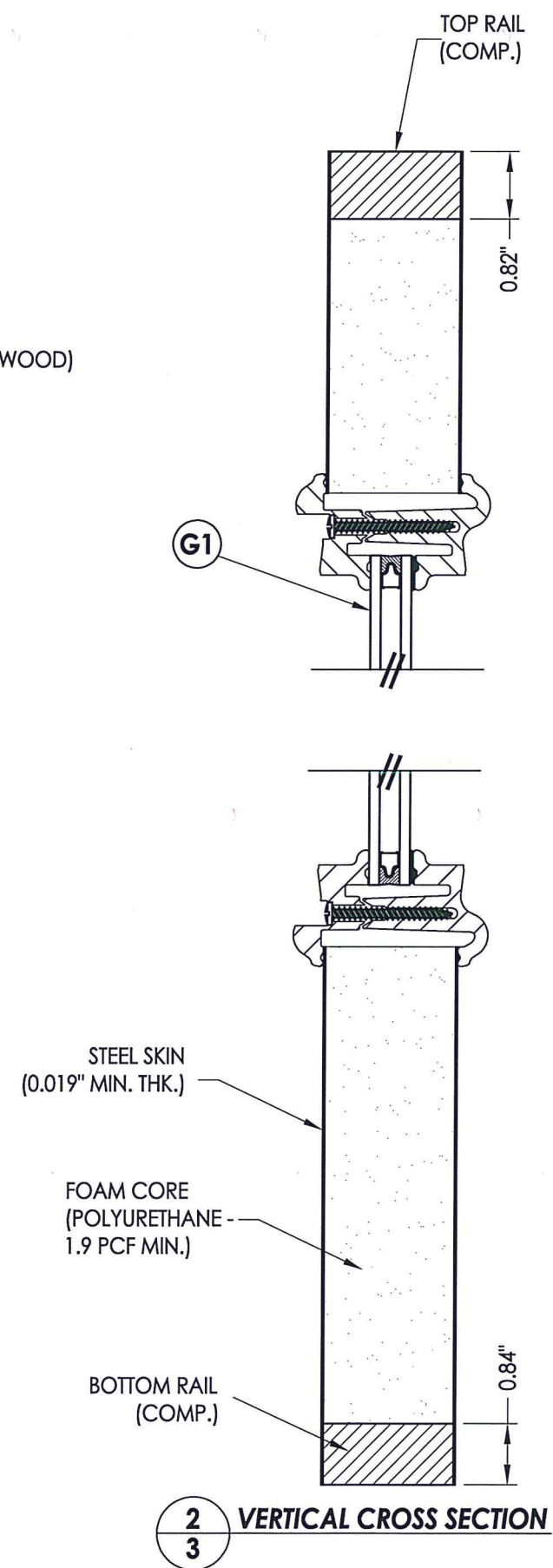
R:\Clients\Therma Tru PERMANENT\B - Texas Dept of Ins\TDI - DR 638 - 6-8 Traditions Glazed Non-Impact w-wo Sidelites\Drawings\TX-4304-05.dwg, 3



1 3 HORIZONTAL CROSS SECTION



3A INTERIOR LITE FRAME BTS
3B EXTERIOR LITE FRAME BTS



2 3 VERTICAL CROSS SECTION



Documents Prepared By: Lyndon F. Schmidt, P.E.
TEXAS P.E. #104123

RW BUILDING CONSULTANTS, INC.
P.O. Box 230 Valrico FL, 33595
Phone No.: 813.659.9197

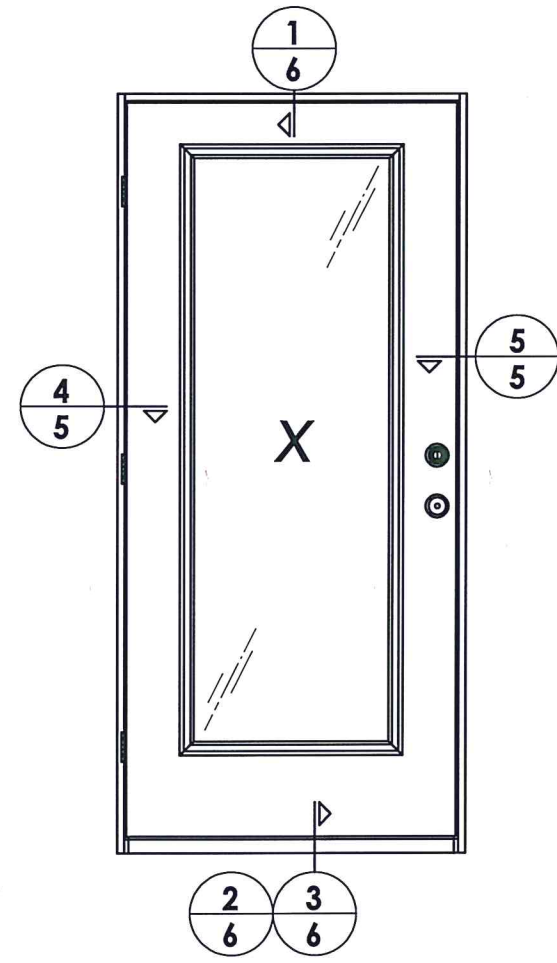
TEXAS BOARD OF PROFESSIONAL ENGINEERS
CERTIFICATE OF REGISTRATION # F-11852

PRODUCT: THERMA-TRU STEEL DOOR

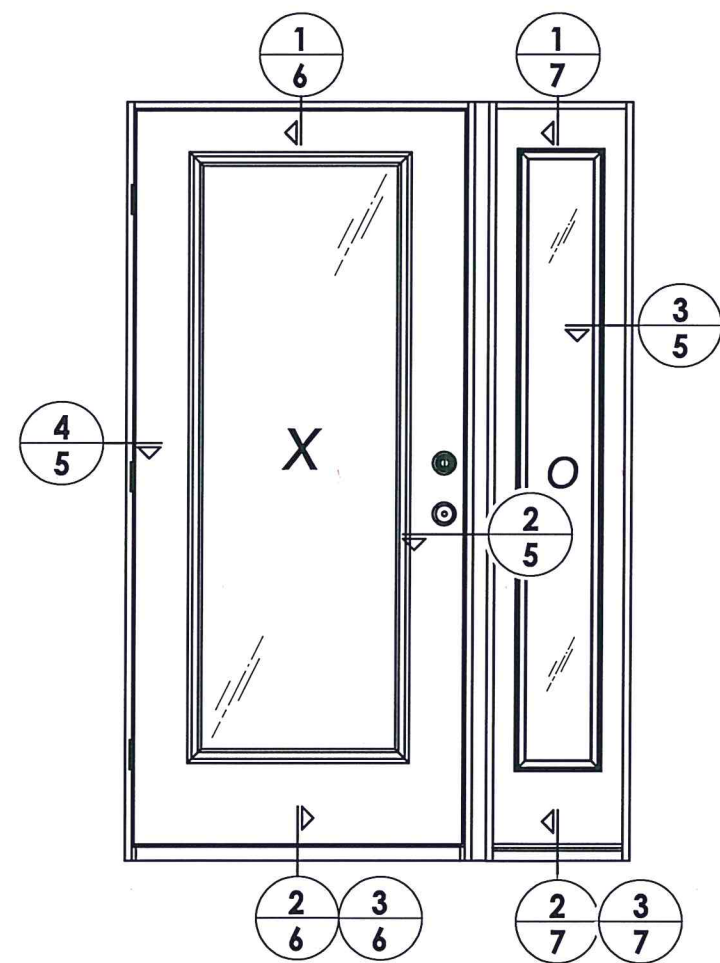
PART OR ASSEMBLY: SIDELITE PANEL DETAILS AND GLAZING DETAIL

NO.	DATE	DESCRIPTION	BY
1	4/28/20	UPDATE TO 2018 IBC/IRC CODE	LFS

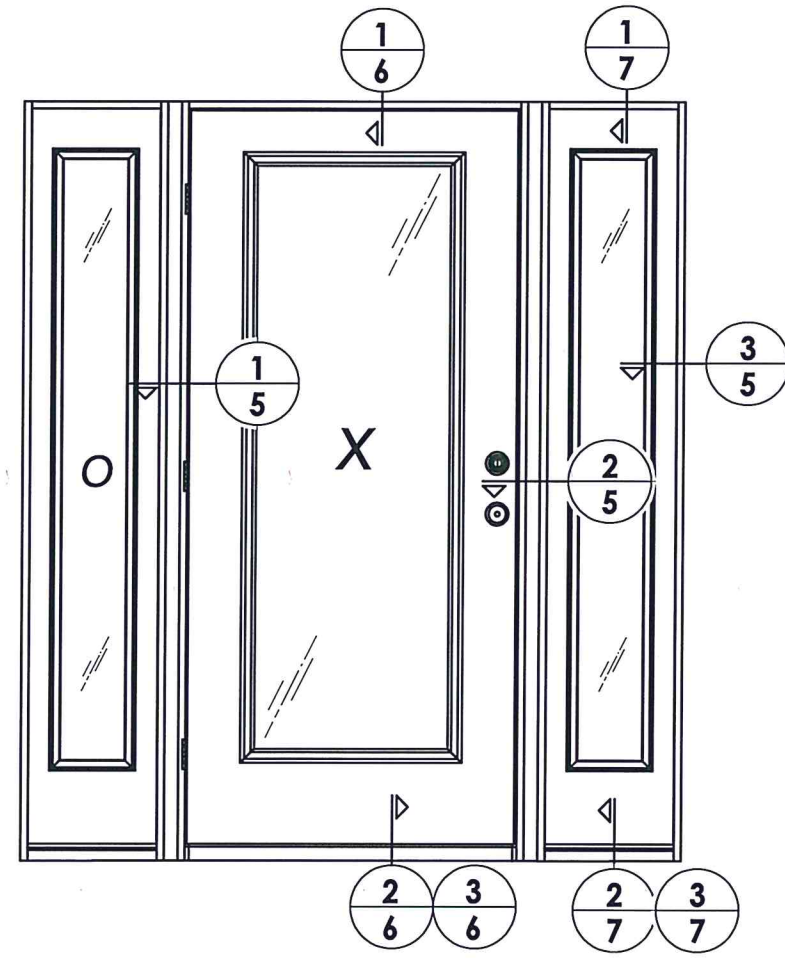
DATE: 01/23/13
SCALE: N.T.S.
DWG. BY: JK
CHK. BY: LFS
DRAWING NO.: TX-4304
SHEET 3 OF 10



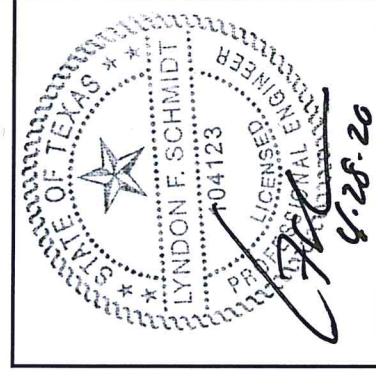
ELEVATION (X)



ELEVATION (OX / XO)



ELEVATION (OXO)



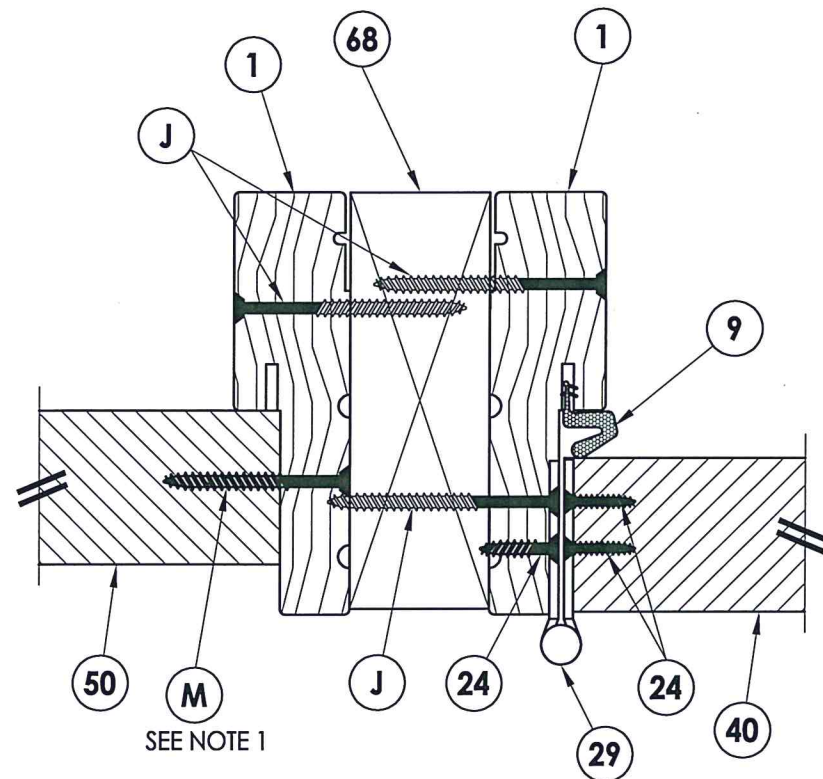
Documents Prepared By: Lyndon F. Schmidt, P.E.
TEXAS P.E. #104123

RW BUILDING CONSULTANTS, INC.
P.O. Box 230 Vairico FL, 33595
Phone No.: 813.659.9197
TEXAS BOARD OF PROFESSIONAL ENGINEERS
CERTIFICATE OF REGISTRATION # F-11852

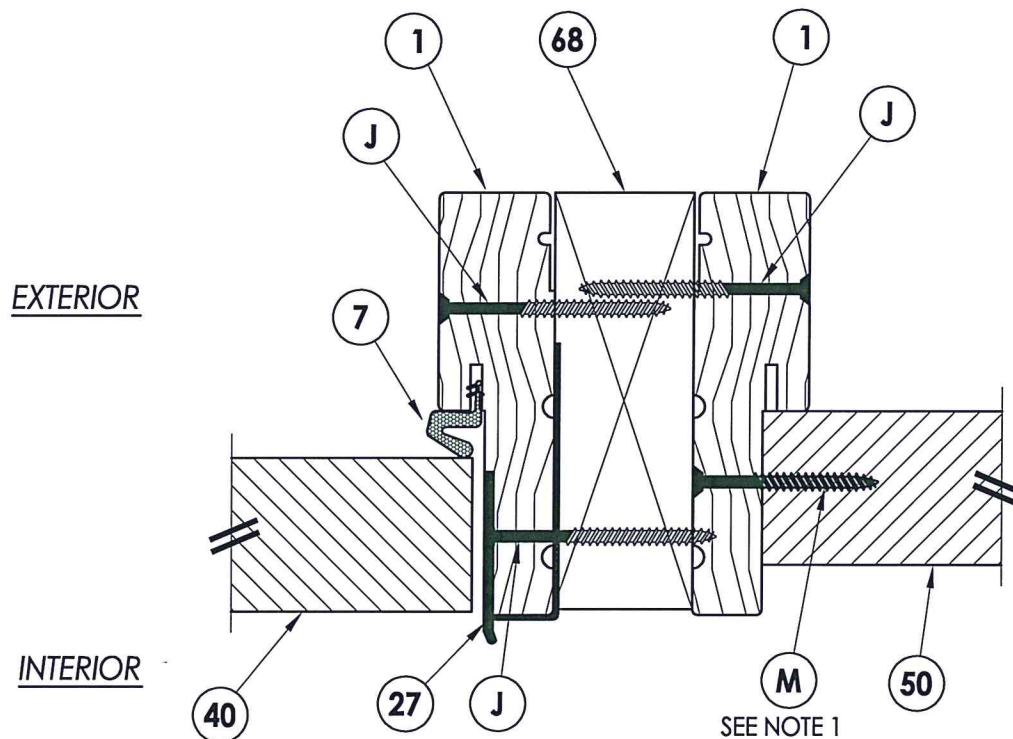
PRODUCT: THERMA-TRU STEEL DOOR
PART OR ASSEMBLY: ELEVATIONS

NO.	DATE	DESCRIPTION	LFS	BY
1	4/28/20	UPDATE TO 2018 IBC/IRC CODE		

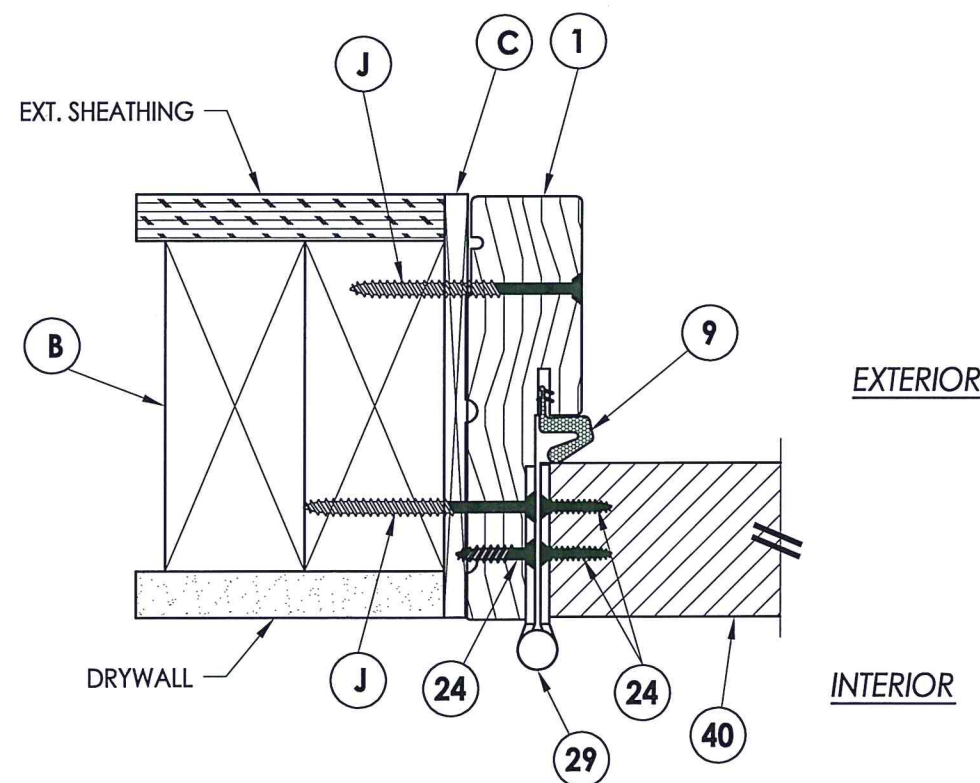
DATE: 01/23/13
SCALE: N.T.S.
DWG. BY: JK
CHK. BY: LFS
DRAWING NO.: TX-4304
SHEET 4 OF 10



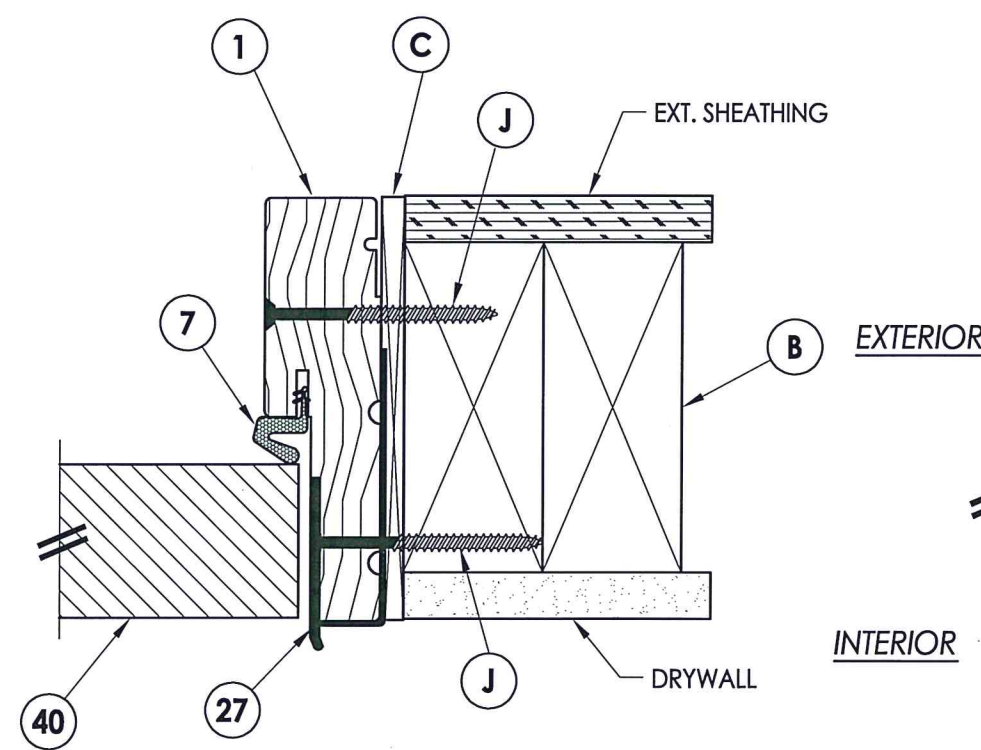
1 HORIZONTAL CROSS SECTION
5 Inswing shown - Outswing also approved



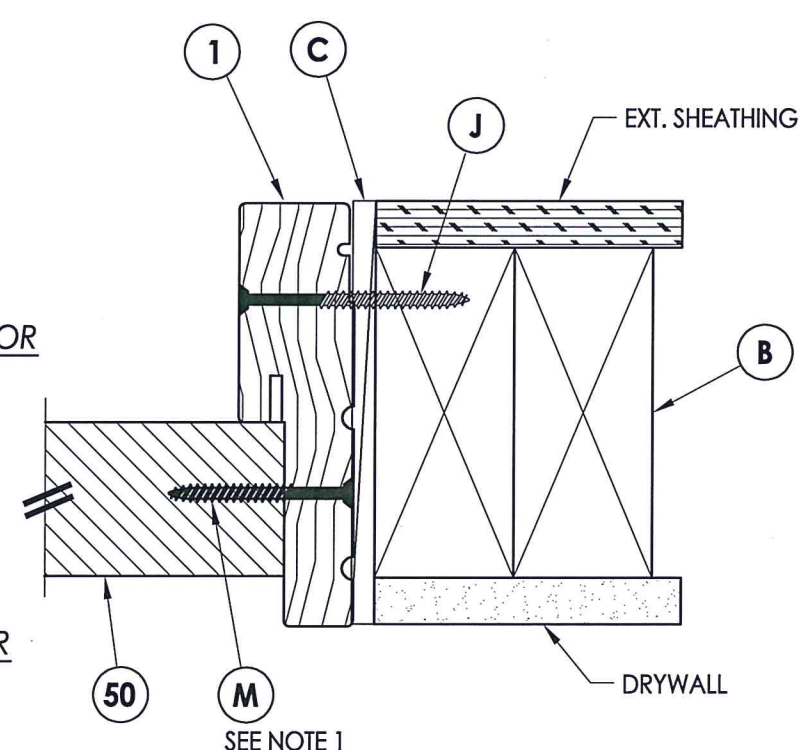
2 HORIZONTAL CROSS SECTION
5 Inswing shown - Outswing also approved



4 HORIZONTAL CROSS SECTION
5 Inswing shown - Outswing also approved

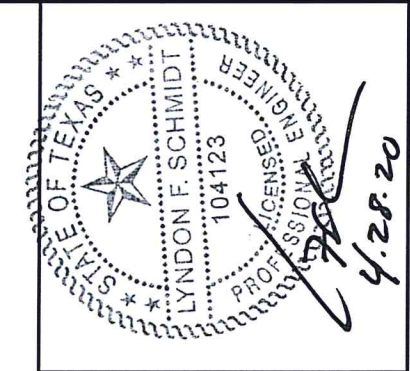


5 HORIZONTAL CROSS SECTION
5 Inswing shown - Outswing also approved



3 HORIZONTAL CROSS SECTION
5 Inswing shown - Outswing also approved

Note:
 1. Sidelite assembly screws located 6" from each end plus 4 more equally spaced (6 total).



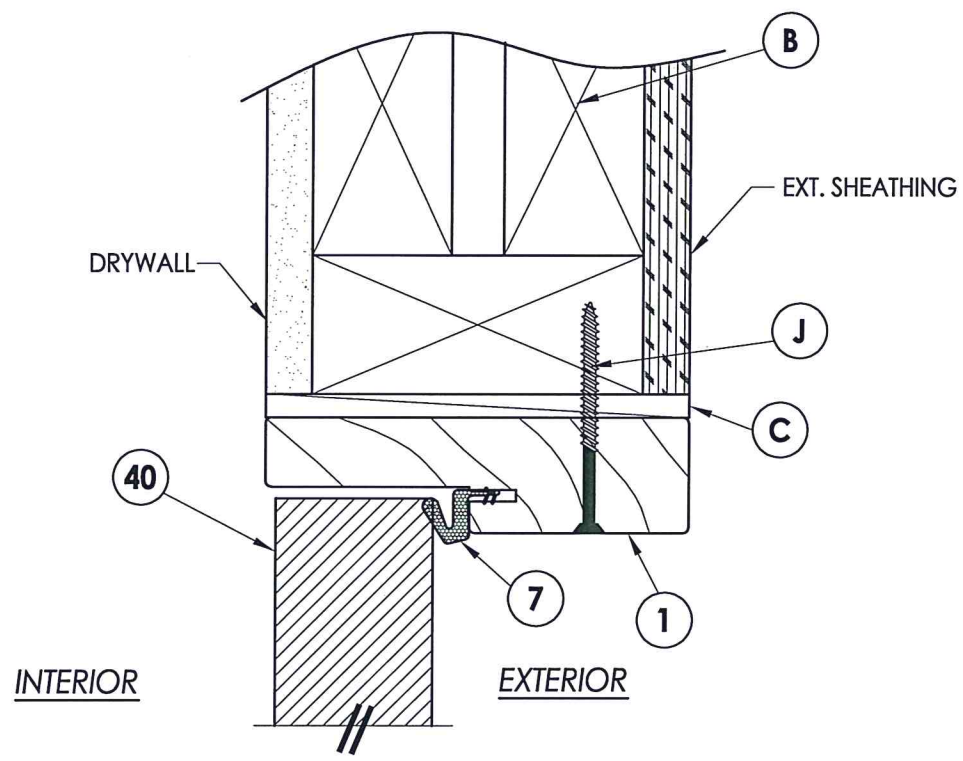
Documents Prepared By: Lyndon F. Schmidt, P.E.
 TEXAS P.E. #104123
 BUILDING CONSULTANTS, INC.
 P.O. Box 230 Valrico FL 33595
 Phone No.: 813.659.9197
 TEXAS BOARD OF PROFESSIONAL ENGINEERS
 CERTIFICATE OF REGISTRATION # F-11852

PRODUCT: THERMA-TRU STEEL DOOR
 PART OR ASSEMBLY: HORIZONTAL CROSS SECTIONS

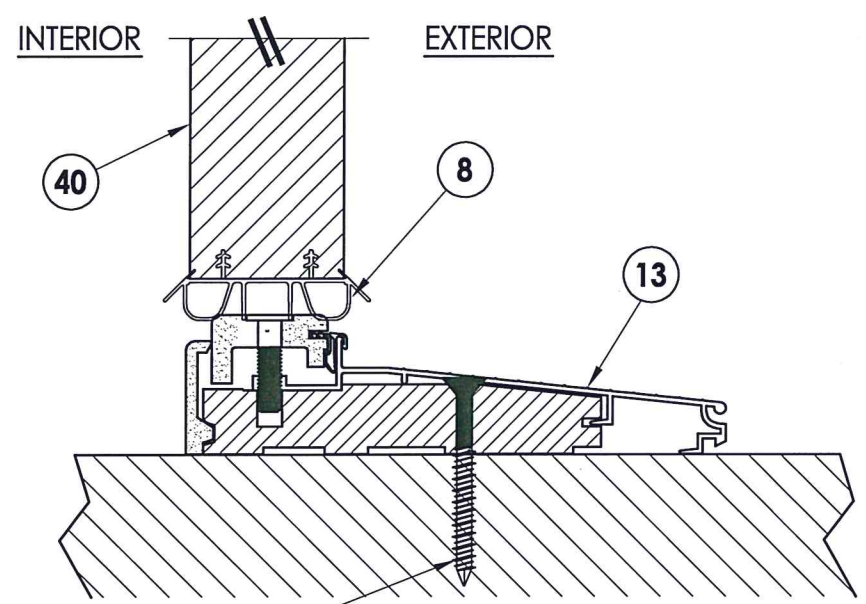
NO.	DATE	UPDATE TO 2018 IBC/IRC CODE	LFS	BY
1	4/28/20			

DATE: 01/23/13
 SCALE: N.T.S.
 DWG. BY: JK
 CHK. BY: LFS
 DRAWING NO.: TX-4304
 SHEET 5 of 10

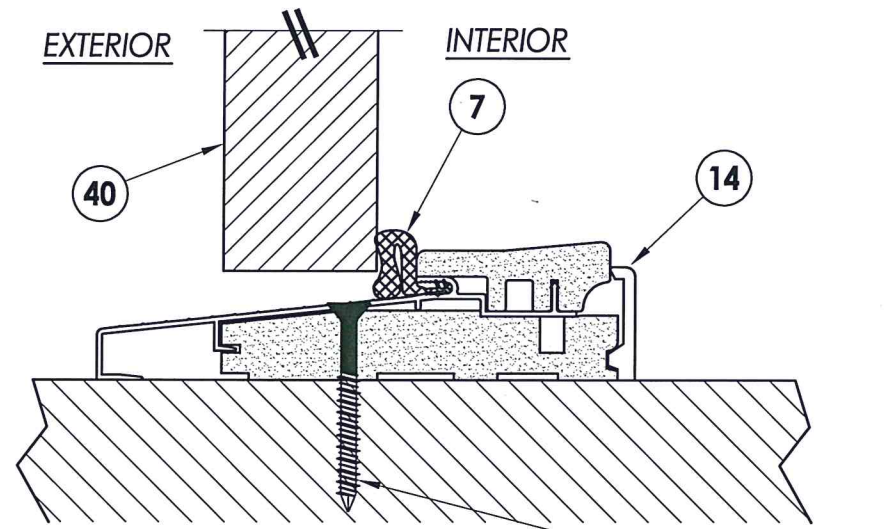
R:\Clients\Therma Tru PERMANENT\B - Texas Dept of Ins\TDI - DR 638 - 6-8 Traditions Glazed Non-Impact w-wo Sidelites\Drawings\TX-4304-05.dwg, 6



1 VERTICAL CROSS SECTION
6 Inswing shown - Outswing also approved



2 VERTICAL CROSS SECTION
6 Inswing configuration



3 VERTICAL CROSS SECTION
6 Outswing configuration



Documents Prepared By: Lyndon F. Schmidt, P.E.
 TEXAS P.E. #104123

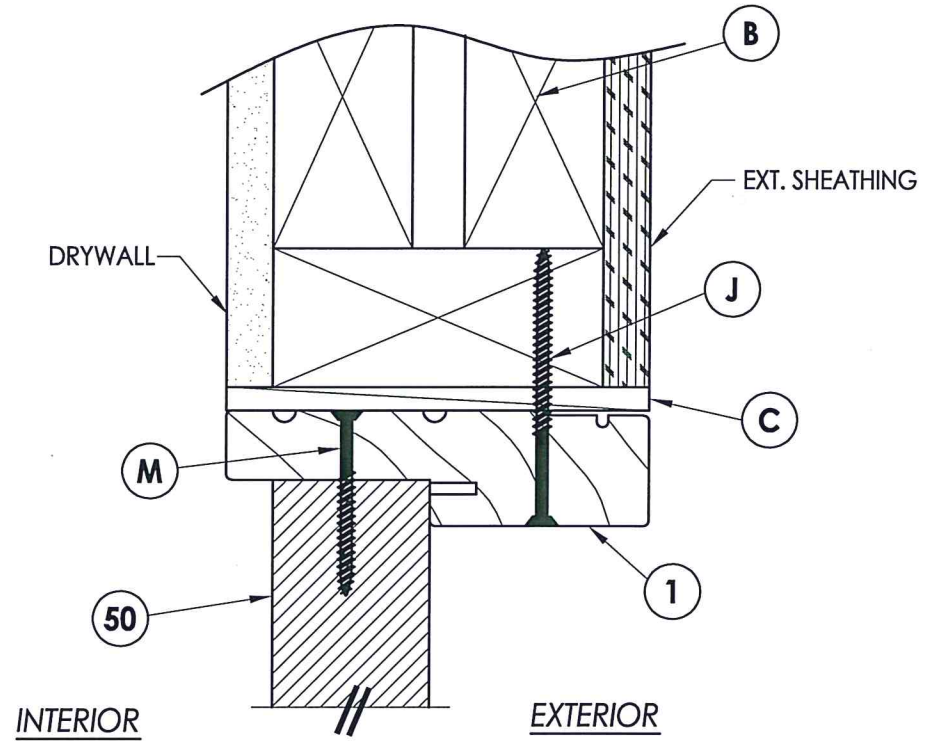
RW BUILDING CONSULTANTS, INC.
 P.O. Box 230 Valrico FL 33595
 Phone No.: 813.659.9197
 TEXAS BOARD OF PROFESSIONAL ENGINEERS
 CERTIFICATE OF REGISTRATION # F-11852

PRODUCT: THERMA-TRU STEEL DOOR
 PART OR ASSEMBLY: VERTICAL CROSS SECTIONS

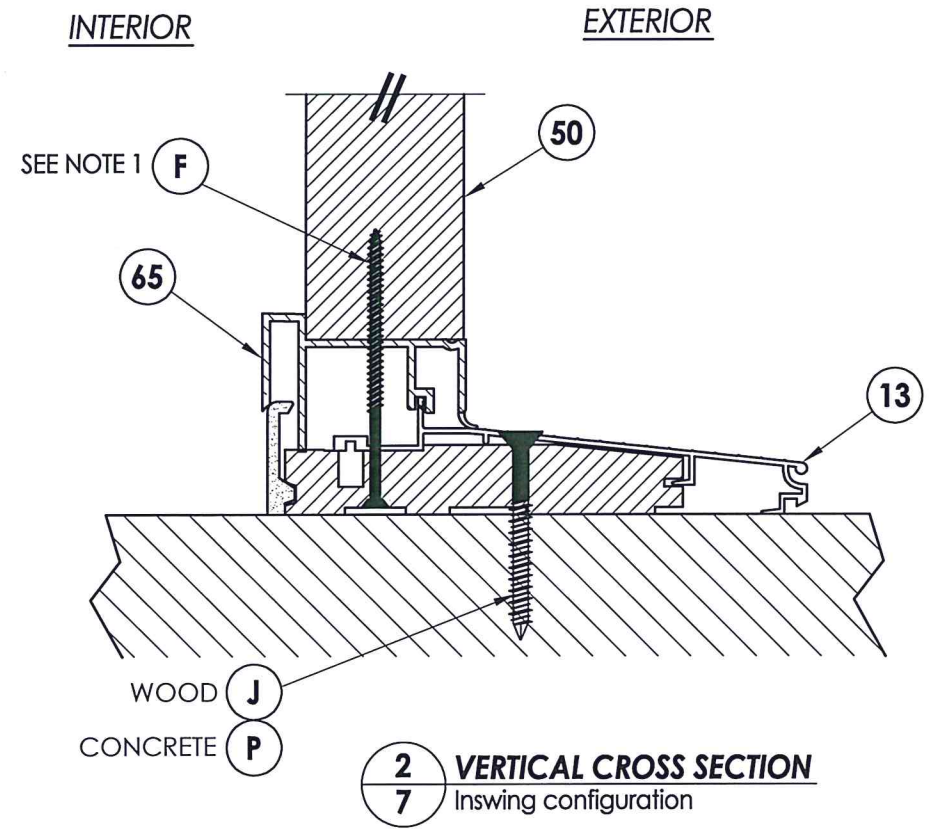
NO.	DATE	DESCRIPTION	BY
1	4/28/20	UPDATE TO 2018 IBC/IRC CODE	LFS

DATE: 01/23/13
 SCALE: N.T.S.
 DWG. BY: JK
 CHK. BY: LFS
 DRAWING NO.: TX-4304
 SHEET 6 OF 10

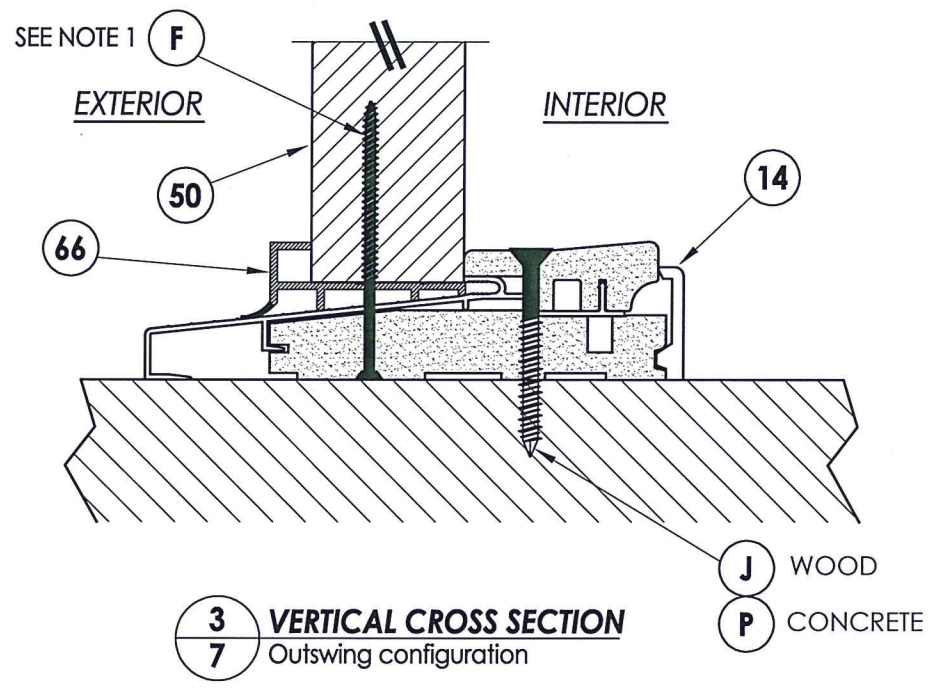
R:\Clients\Therma Tru PERMANENT\B - Texas Dept of Ins\TDI - DR 638 - 6-8 Traditions Glazed Non-Impact w-wo Sidelites\Drawings\TX-4304-05.dwg, 7



1 VERTICAL CROSS SECTION
7 Inswing shown - Outswing also approved



2 VERTICAL CROSS SECTION
7 Inswing configuration



3 VERTICAL CROSS SECTION
7 Outswing configuration

Note:
 1. Sidelite assembly screws located 3" from each end (2 total).



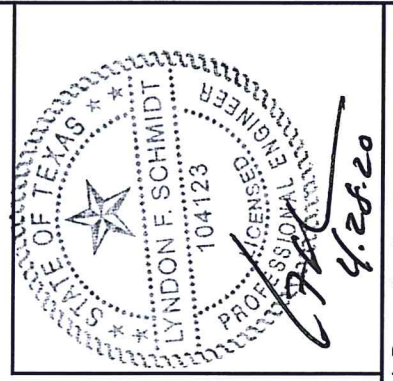
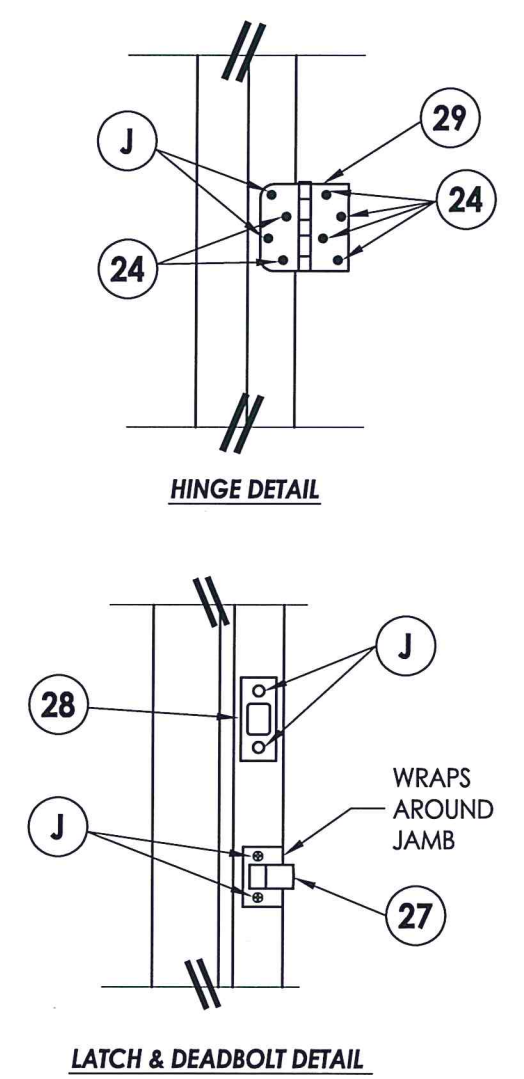
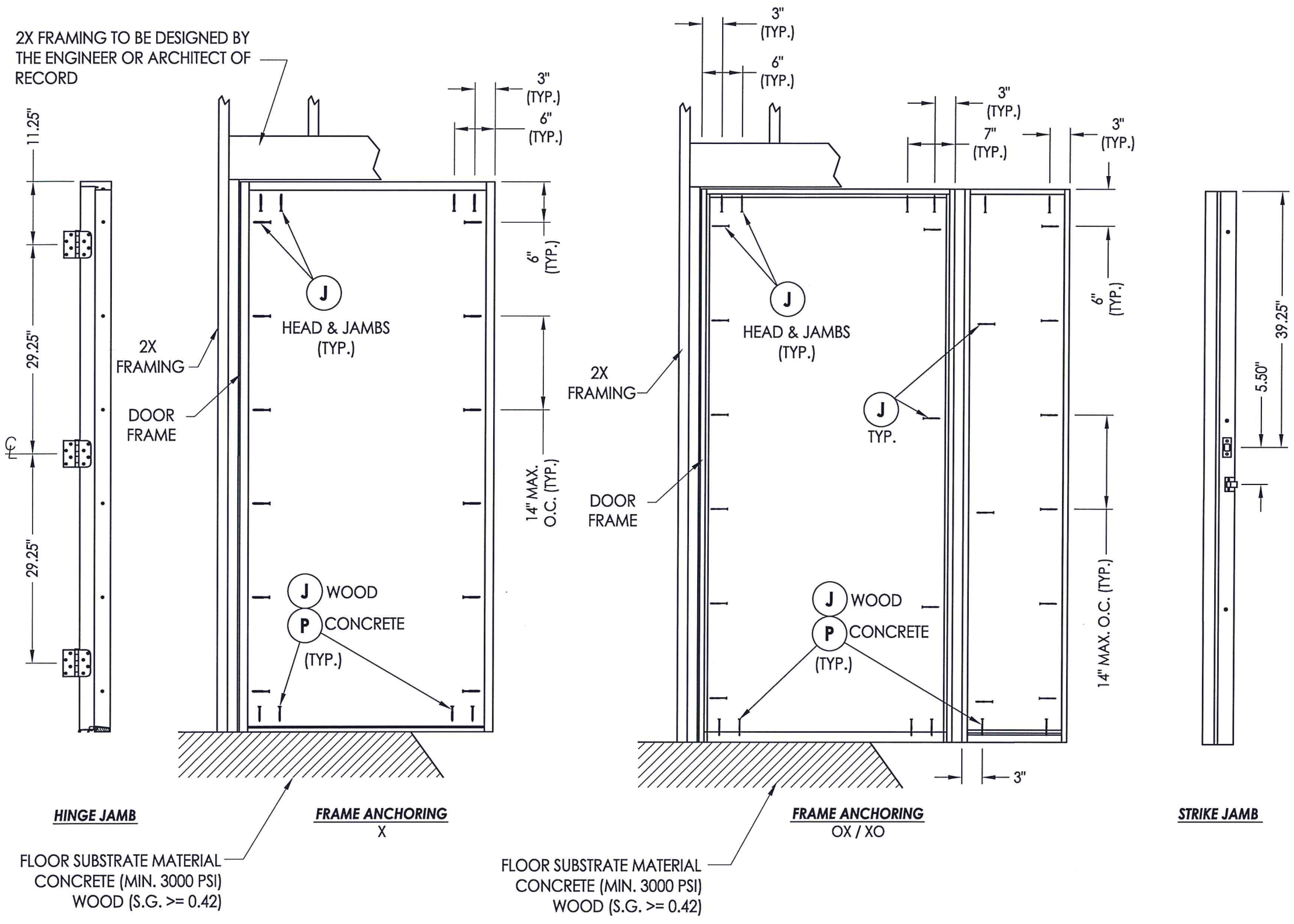
Documents Prepared By: Lyndon F. Schmidt, P.E.
 TEXAS P.E. #104123

R.W. BUILDING CONSULTANTS, INC.
 P.O. Box 230 Valrico FL 33595
 Phone No.: 813.659.9197

TEXAS BOARD OF PROFESSIONAL ENGINEERS
 CERTIFICATE OF REGISTRATION # F-11852

PRODUCT:	THERMA-TRU STEEL DOOR	
PART OR ASSEMBLY:	VERTICAL CROSS SECTIONS	
NO.	DATE	REVISIONS
1	4/28/20	UPDATE TO 2018 IBC/IRC CODE
		LFS BY
DATE: 01/23/13		
SCALE: N.T.S.		
DWG. BY: JK		
CHK. BY: LFS		
DRAWING NO.: TX-4304		
SHEET 7 OF 10		

R:\Clients\Therma Tru PERMANENT\B - Texas Dept of Ins\TDI - DR 638 - 6-8 Traditions Glazed Non-Impact w-wo Sidelites\Drawings\TX-4304-05.dwg, 8



Documents Prepared By: Lyndon F. Schmidt, P.E.
TEXAS P.E. #104123

RW BUILDING CONSULTANTS, INC.
P.O. Box 230 Valrico FL 33595
Phone No.: 813.659.9197

TEXAS BOARD OF PROFESSIONAL ENGINEERS
CERTIFICATE OF REGISTRATION # F-11852

PRODUCT: THERMA-TRU STEEL DOOR

PART OR ASSEMBLY: FRAME ANCHORING

NO.	DATE	REVISIONS	LFS	BY
1	4/28/20	UPDATE TO 2018 IBC/IRC CODE	LFS	JK

DATE: 01/23/13

SCALE: N.T.S.

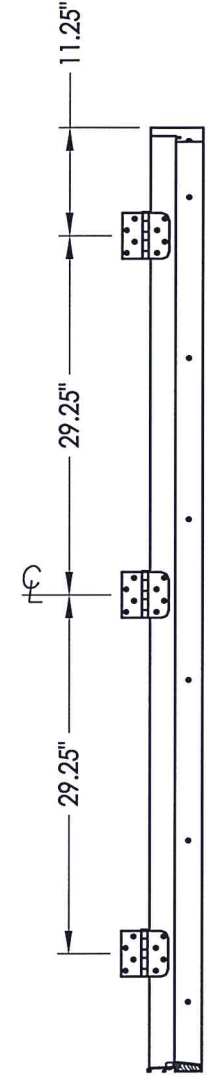
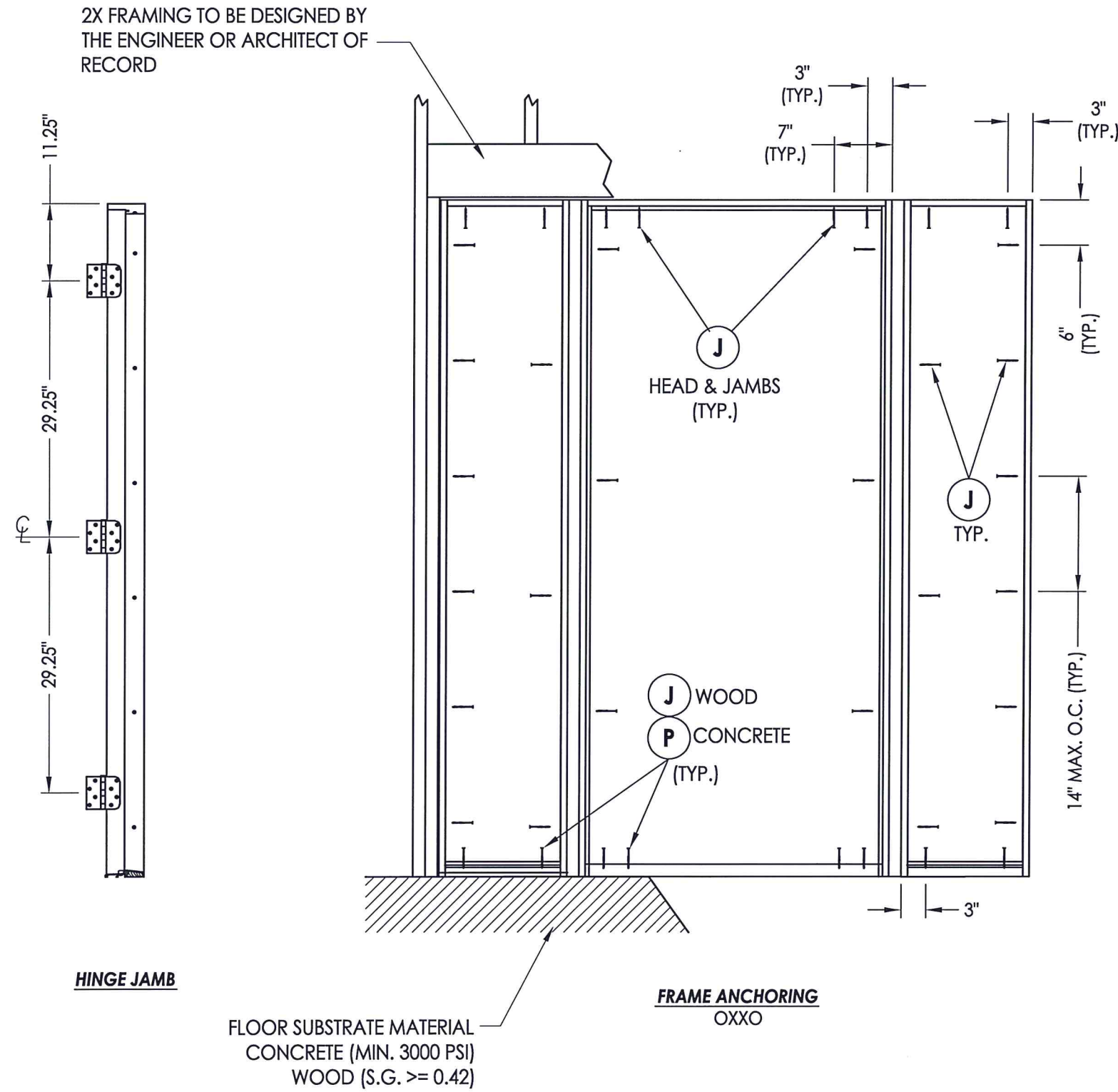
DWG. BY: JK

CHK. BY: LFS

DRAWING NO.: TX-4304

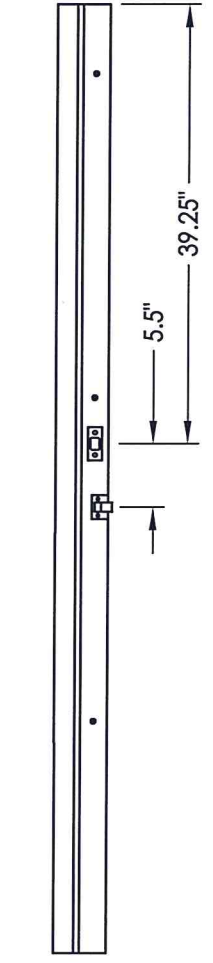
SHEET 8 OF 10

© 2013 R.W. BUILDING CONSULTANTS INC.

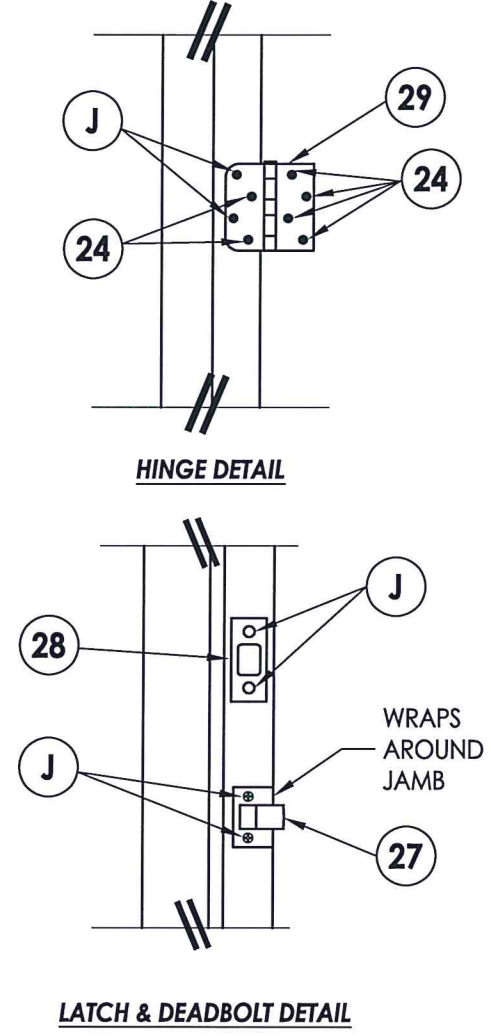


HINGE JAMB

FLOOR SUBSTRATE MATERIAL
 CONCRETE (MIN. 3000 PSI)
 WOOD (S.G. >= 0.42)



STRIKE JAMB



HINGE DETAIL

LATCH & DEADBOLT DETAIL



Documents Prepared By: Lyndon F. Schmidt, P.E.
 TEXAS P.E. #104123

RW BUILDING CONSULTANTS, INC.
 P.O. Box 230 Valrico FL 33595
 Phone No.: 813.659.9197

TEXAS BOARD OF PROFESSIONAL ENGINEERS
 CERTIFICATE OF REGISTRATION # F-11852

PRODUCT: THERMA-TRU STEEL DOOR

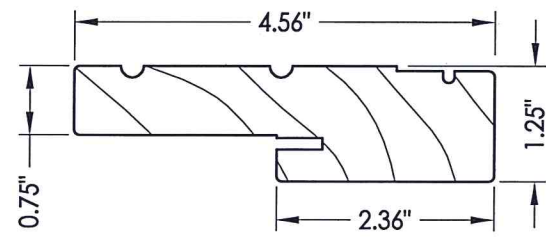
PART OR ASSEMBLY: FRAME ANCHORING

NO.	DATE	DESCRIPTION	BY
1	4/28/20	UPDATE TO 2018 IBC/IRC CODE	LFS

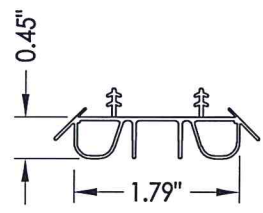
DATE: 01/23/13
 SCALE: N.T.S.
 DWG. BY: JK
 CHK. BY: LFS
 DRAWING NO.: TX-4304
 SHEET 9 OF 10

BILL OF MATERIALS

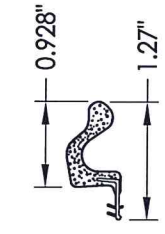
ITEM #	DESCRIPTION	MATERIAL
B	2X BUCK (SG >= 0.42)	WOOD
C	1/4" MAX. SHIM SPACE	-
F	#10 X 3" PFH WOOD SCREW	STEEL
J	#10 X 2-1/2" PFH WOOD SCREW	STEEL
M	#10 X 2" PFH WOOD SCREW	STEEL
P	1/4" PFH ELCO OR ITW CONCRETE SCREW (1-3/4" MIN. EMB.)	STEEL
1	JAMB - FINGER JOINTED PINE	WOOD
7	WEATHERSTRIP (Long Reach by Therma-Tru)	FOAM
8	SWEEP	VINYL
9	WEATHERSTRIP (Medium Reach by Therma-Tru)	FOAM
13	INSWING THRESHOLD	ALUM/COMP
14	OUTSWING THRESHOLD	ALUM/COMP
24	#10 x 1" PFH WOOD SCREW	STEEL
27	LATCH STRIKE PLATE	STEEL
28	DEADBOLT STRIKE PLATE	STEEL
29	4" X 4" HINGE	STEEL
40	DOOR PANEL	-
50	SIDELITE PANEL	-
65	INSWING SIDELITE ADAPTER	PVC
66	OUTSWING SIDELITE ADAPTER	PVC
68	2X MULLION (SG >= 0.55)	WOOD



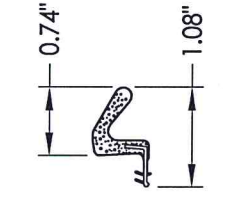
1 WOOD JAMB



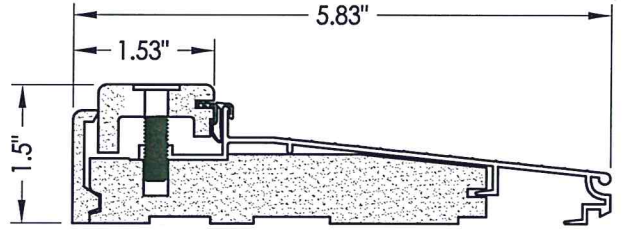
8 SWEEP



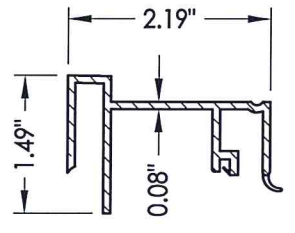
7 WEATHERSTRIP Long Reach



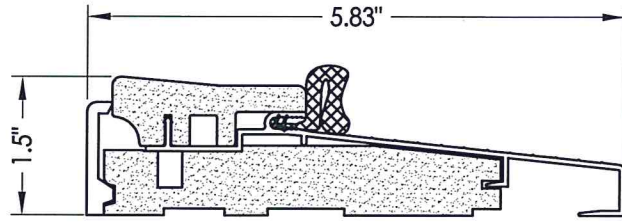
9 WEATHERSTRIP Medium Reach



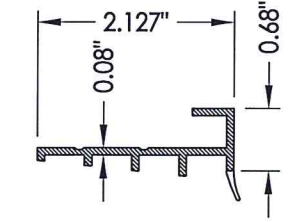
13 INSWING THRESHOLD



65 INSWING SIDELITE ADAPTER



14 OUTSWING THRESHOLD

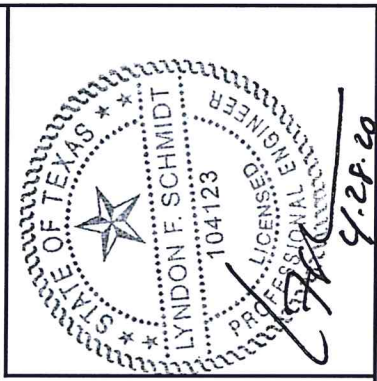


66 OUTSWING SIDELITE ADAPTER

CONCRETE ANCHOR NOTES:

- Concrete anchor locations at the corners may be adjusted to maintain the min. edge distance to mortar joints.
- Concrete anchor locations noted as "MAX. ON CENTER" must be adjusted to maintain the min. edge distance to mortar joints, additional concrete anchors may be required to ensure the "MAX. ON CENTER" dimension are not exceeded.
- Concrete anchor table:

ANCHOR TYPE	ANCHOR SIZE	MIN. EMBEDMENT	MIN. CLEARANCE TO MASONRY EDGE	MIN. CLEARANCE TO ADJACENT ANCHOR
ITW TAPCON®	1/4"	1-3/4"	2-1/2"	3"
ELCO ULTRACON®	1/4"	1-3/4"	1"	3"



Documents Prepared By: Lyndon F. Schmidt, P.E.
TEXAS P.E. #104123

RW BUILDING CONSULTANTS, INC.
P.O. Box 230 Valrico FL, 33595
Phone No.: 813.659.9197
TEXAS BOARD OF PROFESSIONAL ENGINEERS
CERTIFICATE OF REGISTRATION # F-11852

PRODUCT: THERMA-TRU STEEL DOOR
PART OR ASSEMBLY: BILL OF MATERIALS & COMPONENTS

NO.	DATE	DESCRIPTION	LFS	BY
1	4/28/20	UPDATE TO 2018 IBC/IRC CODE		

DATE: 01/23/13
SCALE: N.T.S.
DWG. BY: JK
CHK. BY: LFS
DRAWING NO.: TX-4304
SHEET 10 of 10